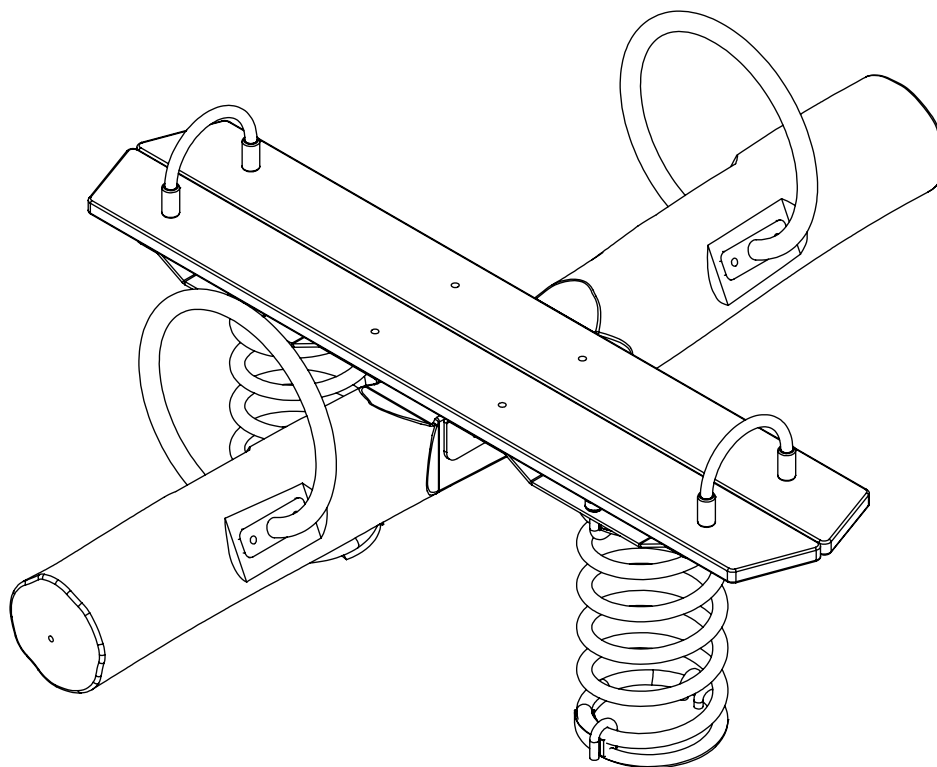
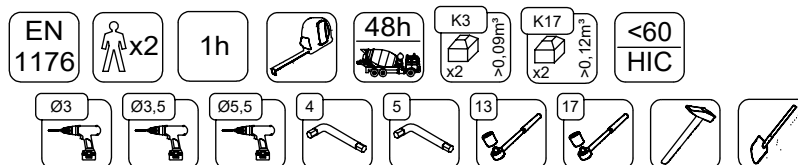


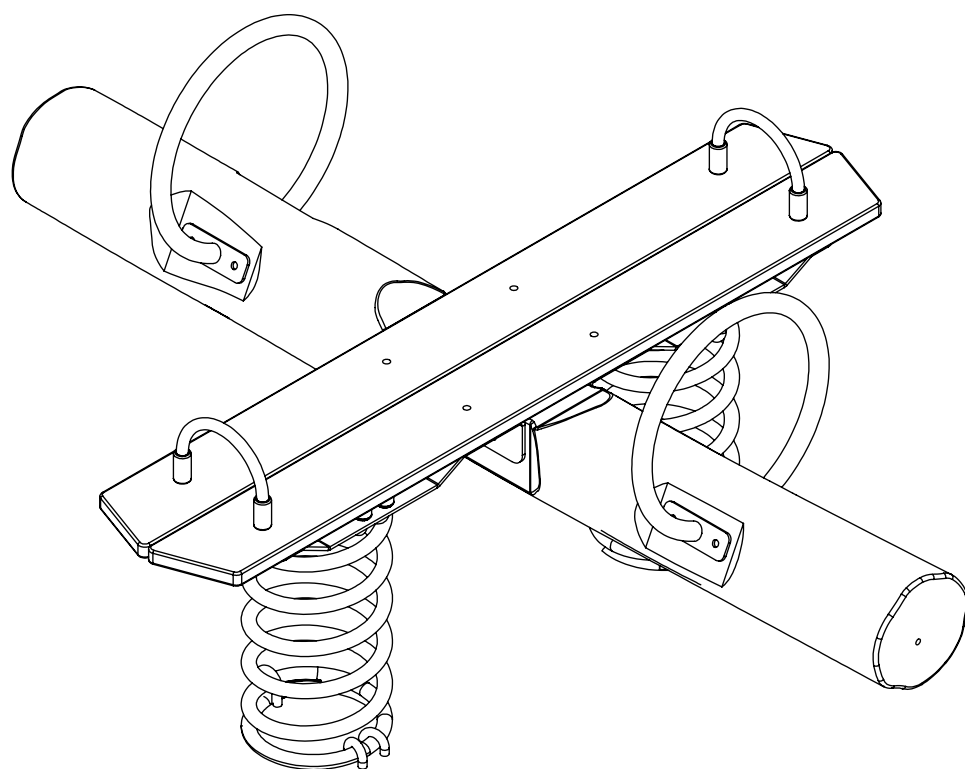
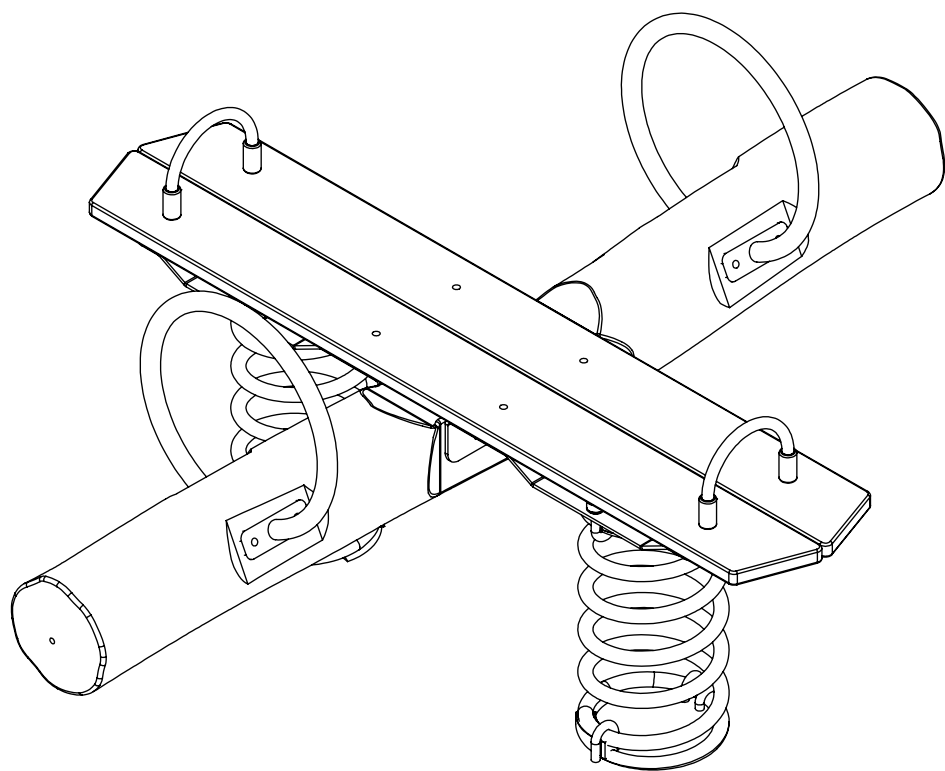
RB1364



v010
30.09.2021
D. P.
[cm]

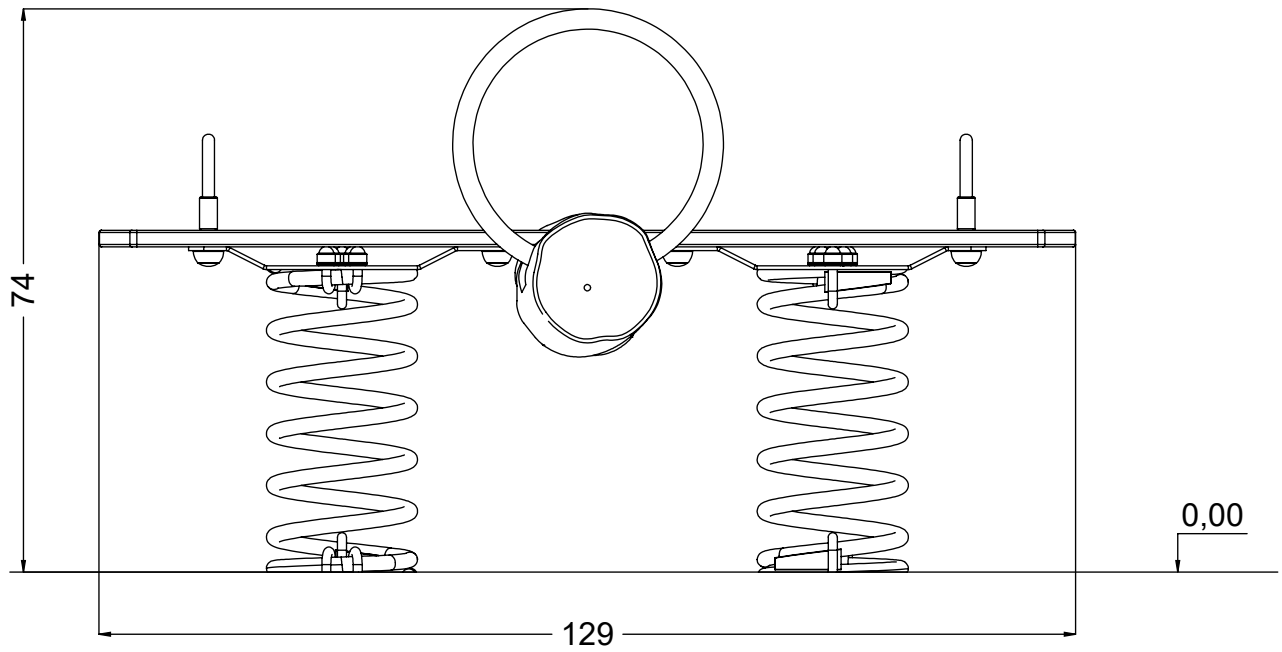
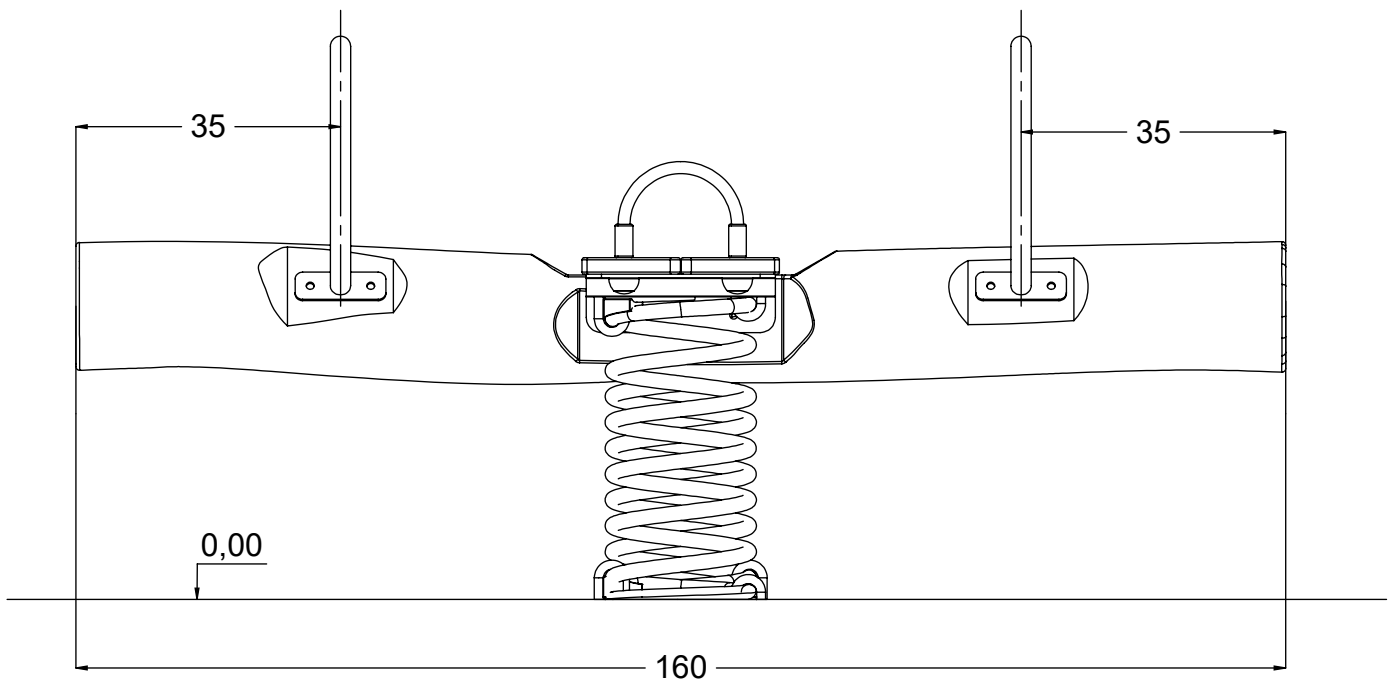


vinci
play



[cm]

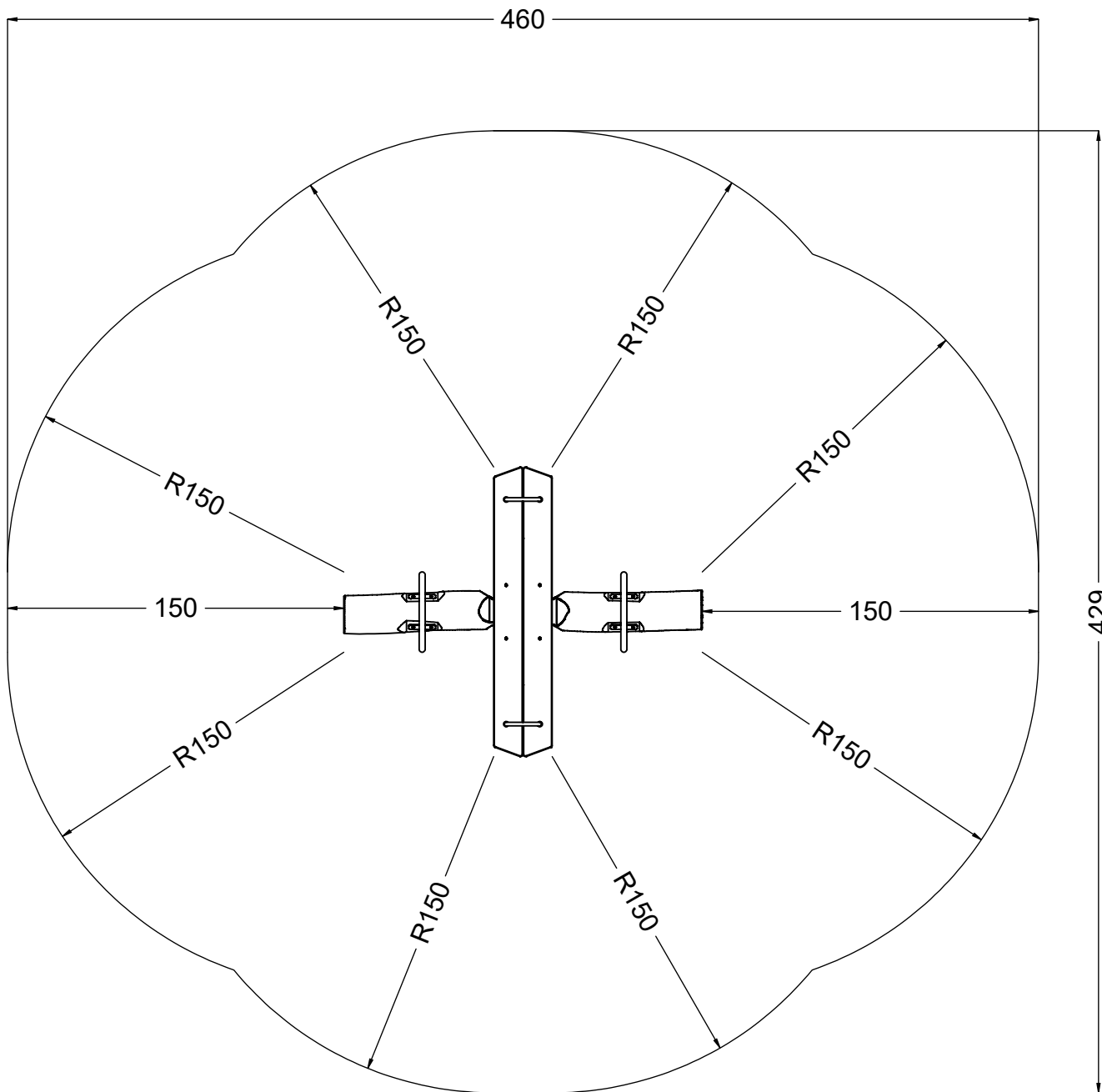
vinci
play



[cm]



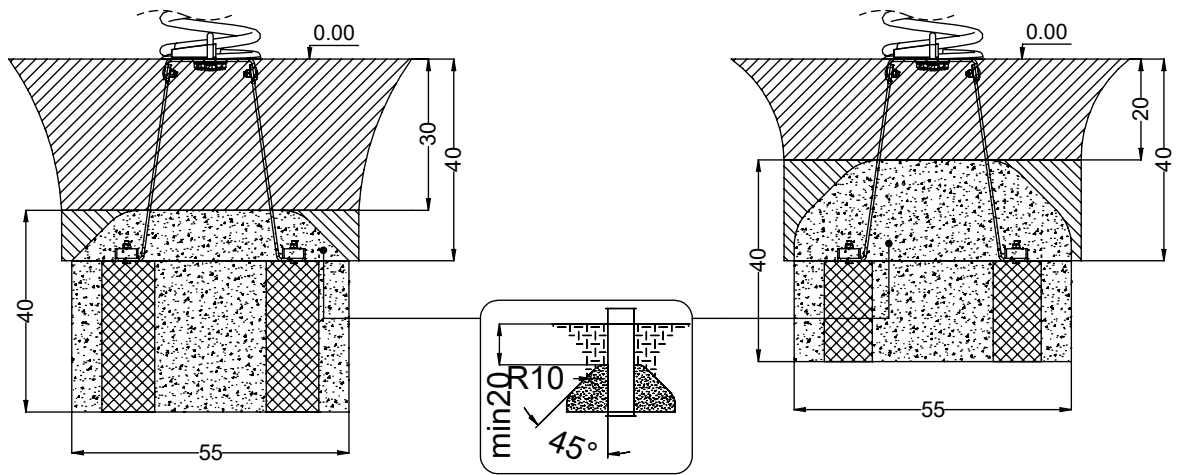
vinci
play






[cm]

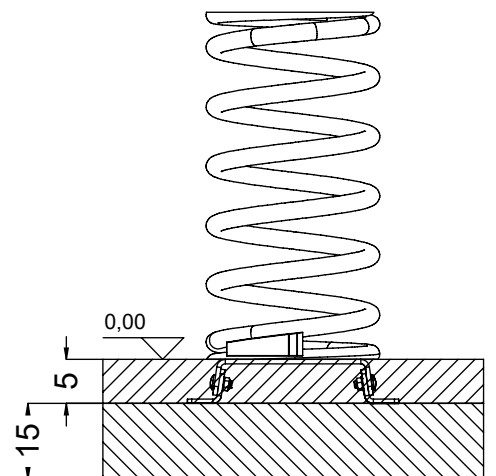
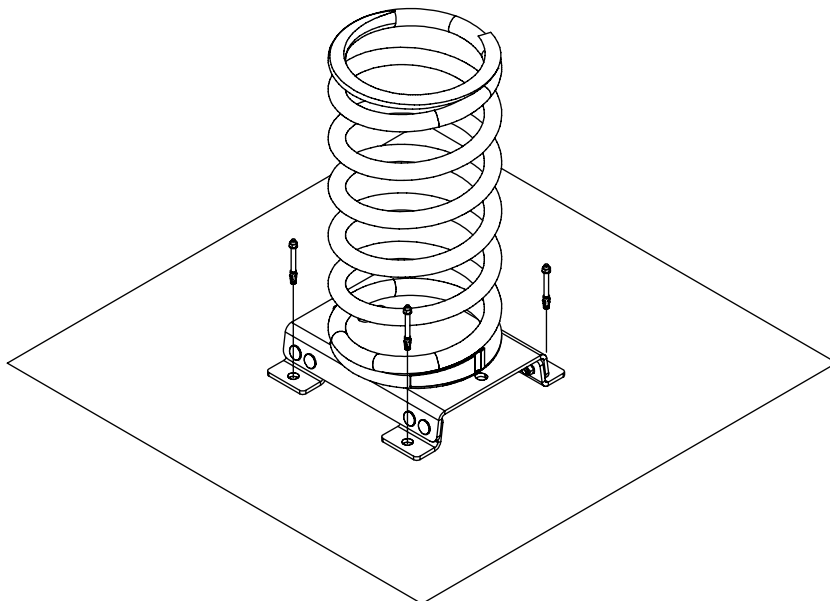
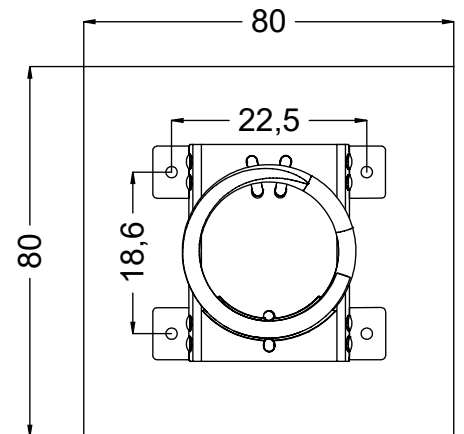
vinci
play

K17



K3

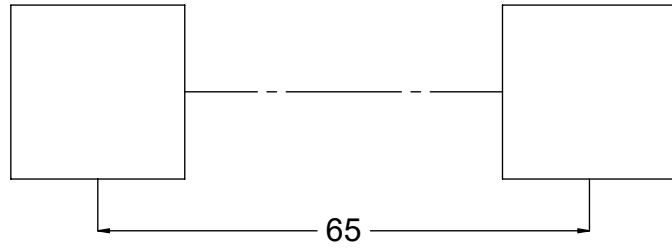
	K3
M10x120 x4	
NOT INCLUDED	



[cm]

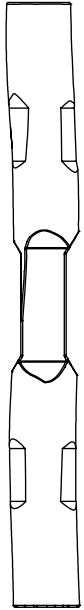
 x2	1h			K17 x2 >0.12m ²	48h 	K3 x2 >0.09m ²
--	----	---	---	----------------------------------	--	---------------------------------

vinci
play



x2
 1h

 48h
 K21 x2 >0.06m³



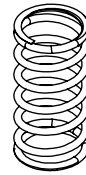
127439
x1



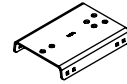
128217
x2



122105
x2



996171
x2



B239
x2

2x	SP3 (K17)
2x	SP2
2x	SP1
2x	SP36
1x	12e077
1x	12e078
8x	8x50sxi
8x	5x25sxp
1x	V001

K17

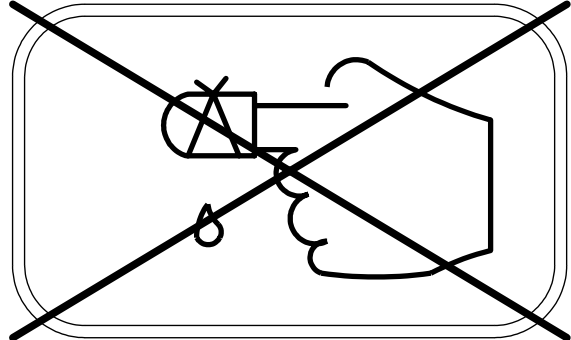
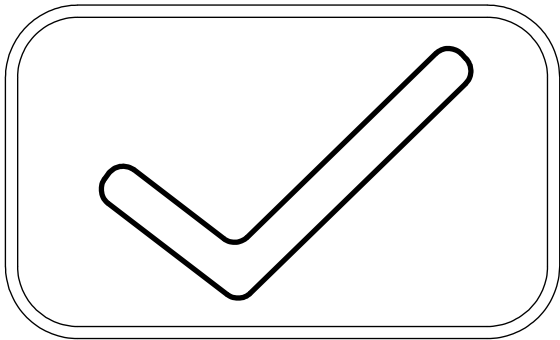
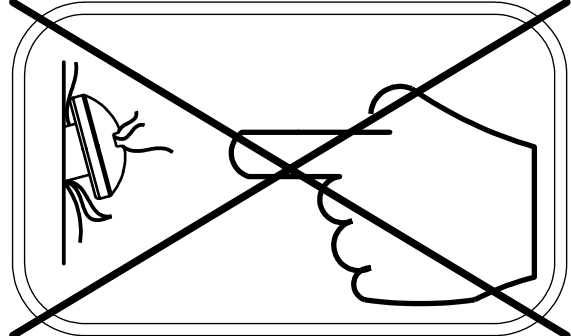
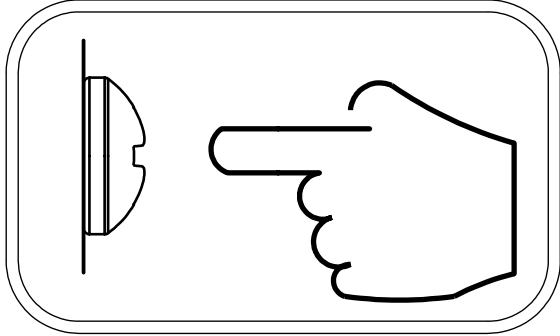
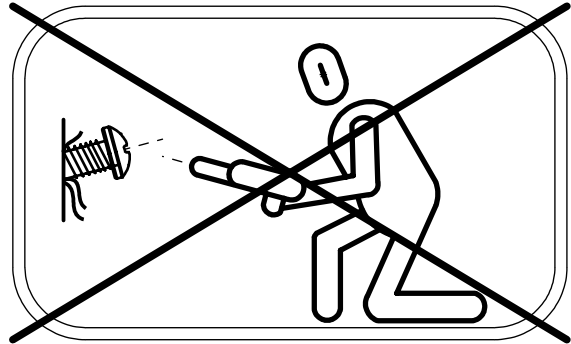
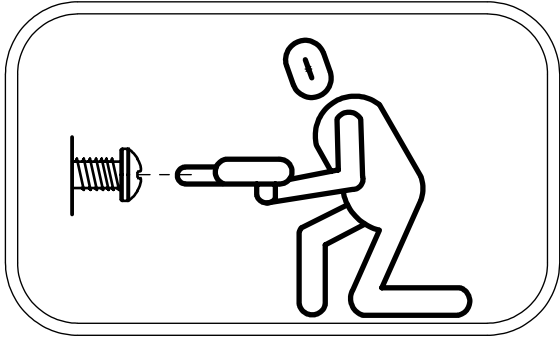
B238
x8

K17

061192
x4

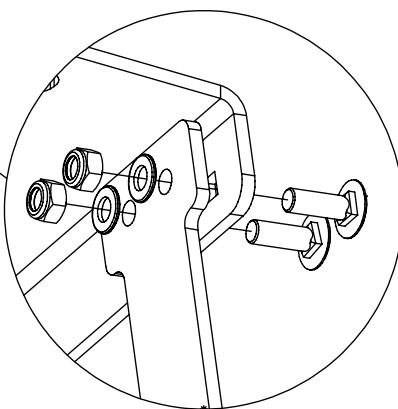
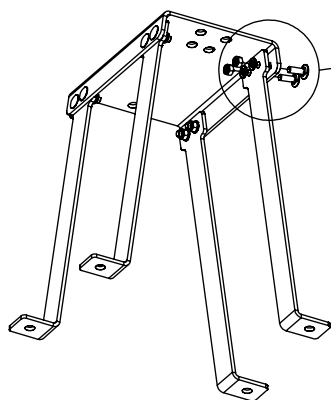
K3

B237-1
x8

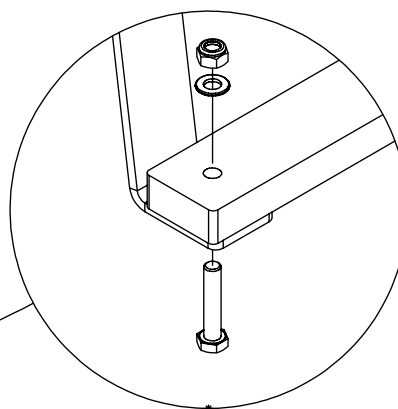
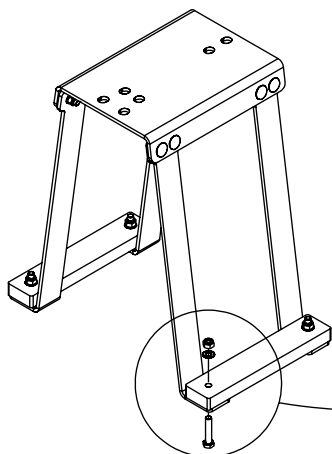


K17

2x



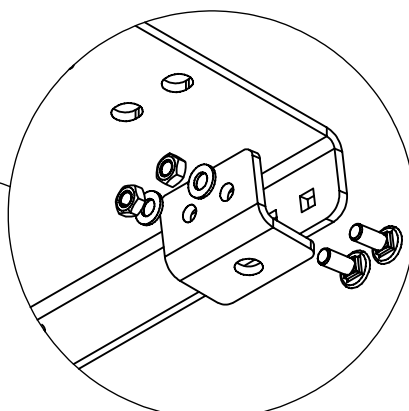
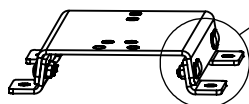
SP1 x1



SP3 x1

K3

2x



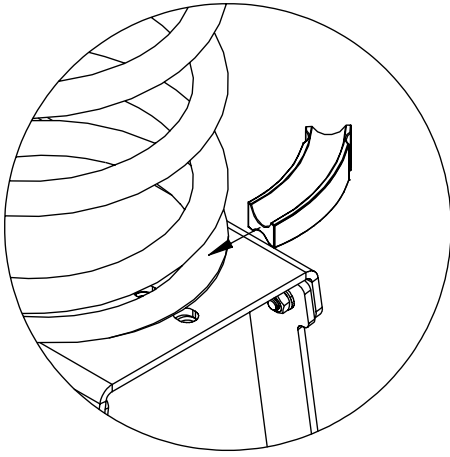
SP1 x1

[cm]

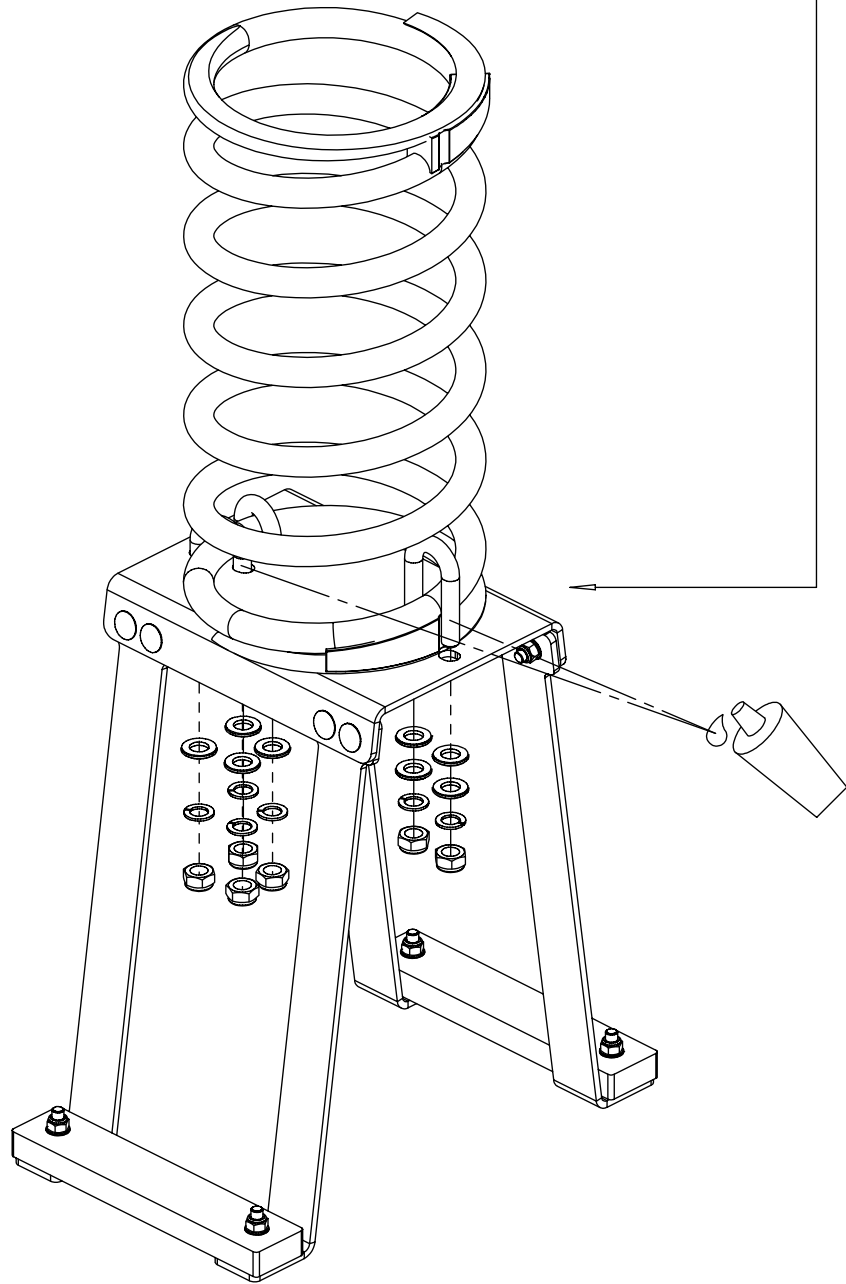
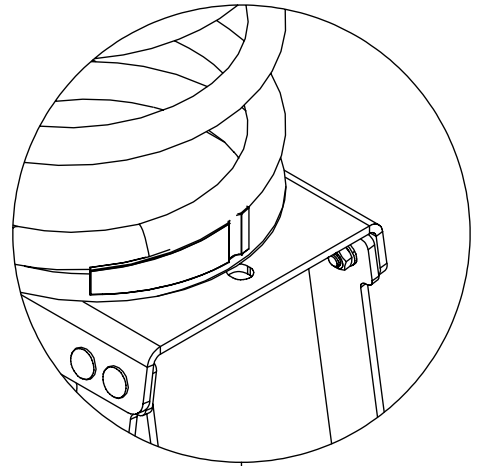


vinci
play

2x



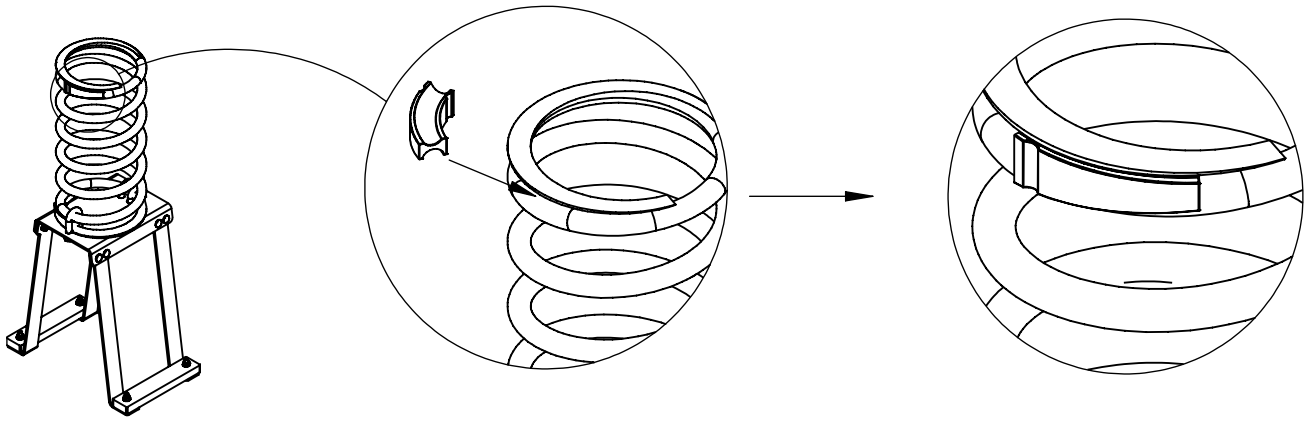
SP2 x1



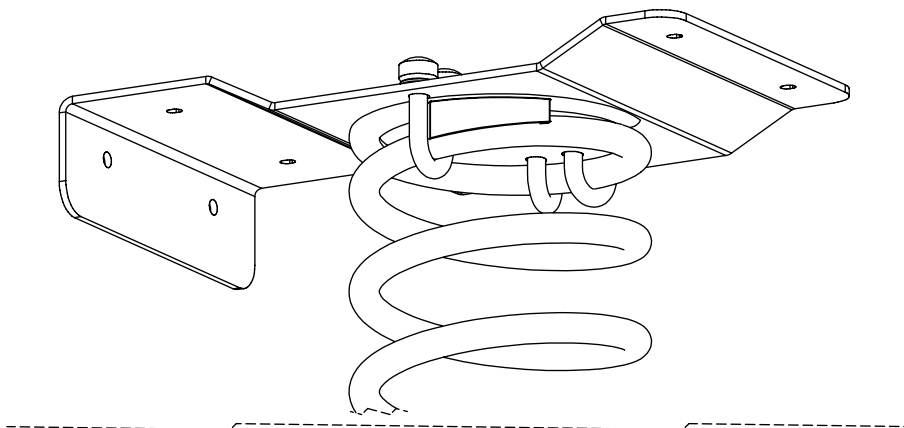
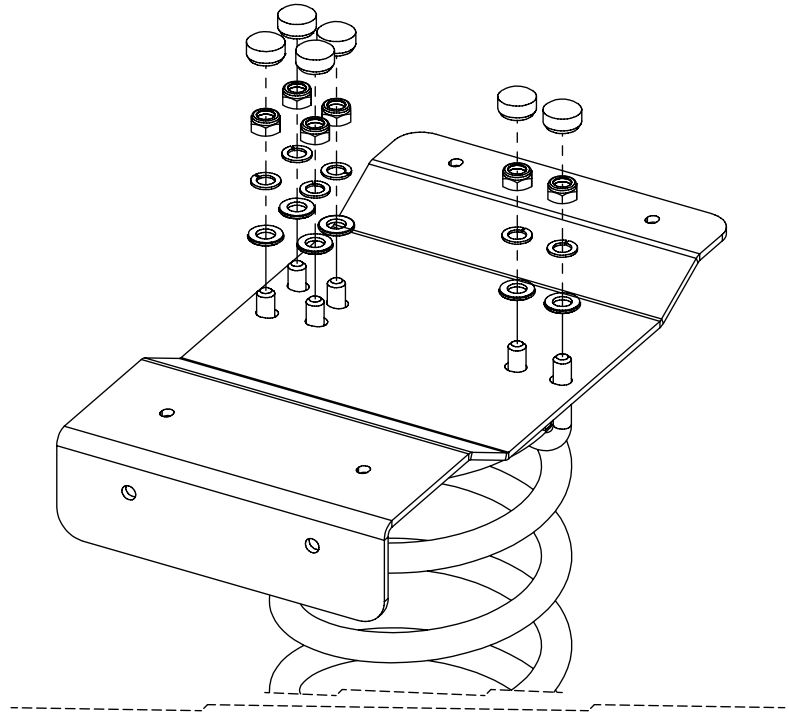
[cm]



vinci
play



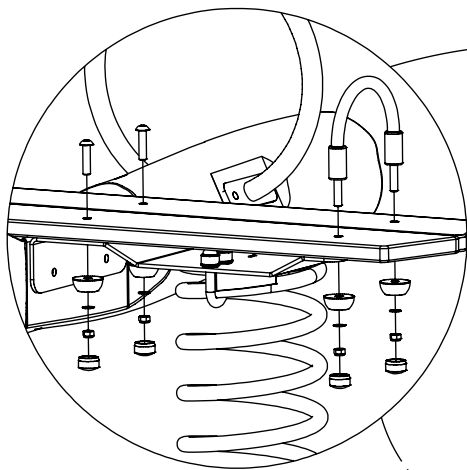
SP36 x2



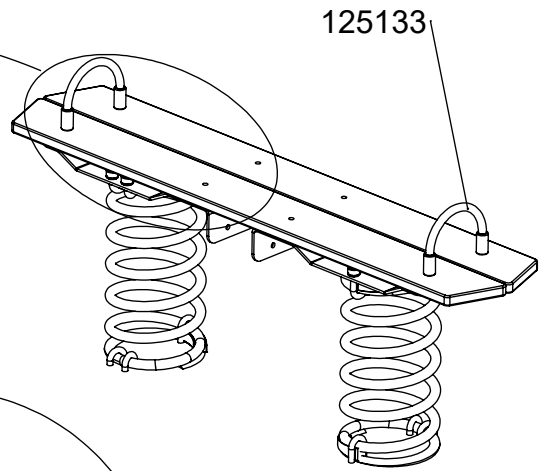
[cm]



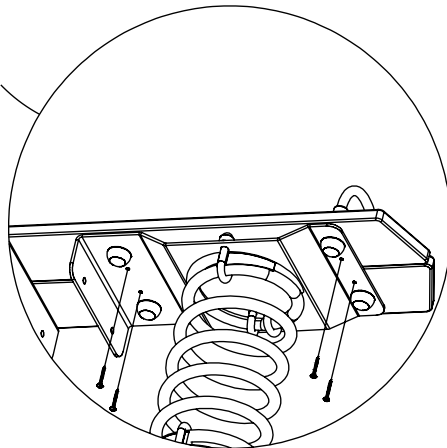
play
Vinci



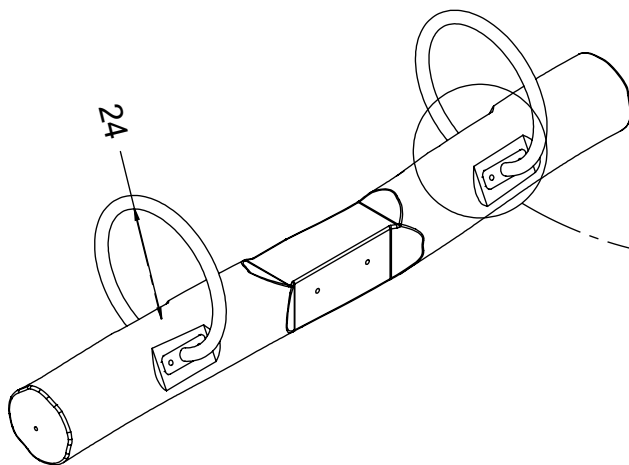
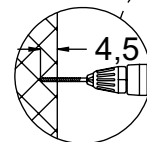
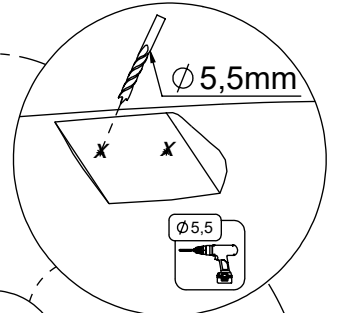
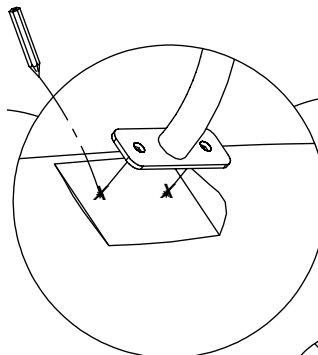
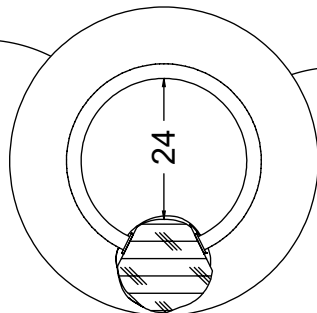
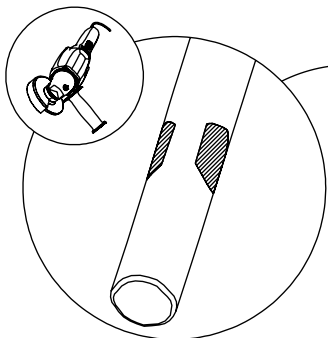
1x 12e077



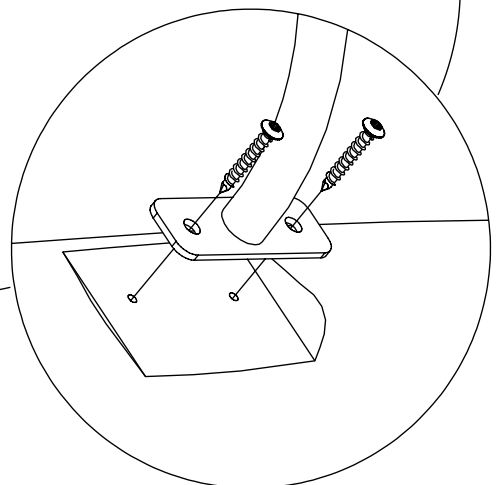
125133



8x 5x25sxp



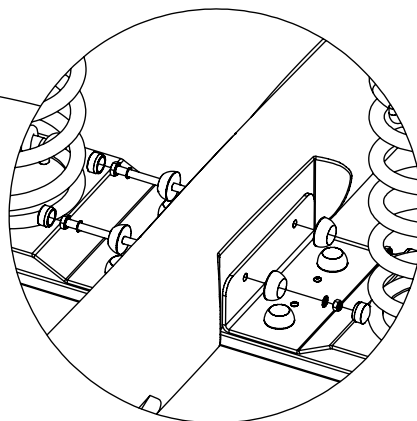
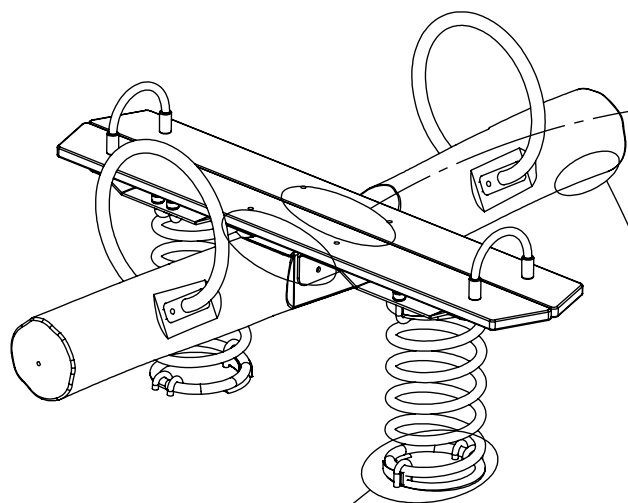
24



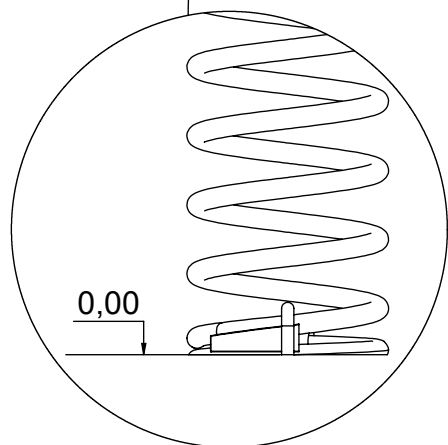
8x 8x50sxi

[cm]

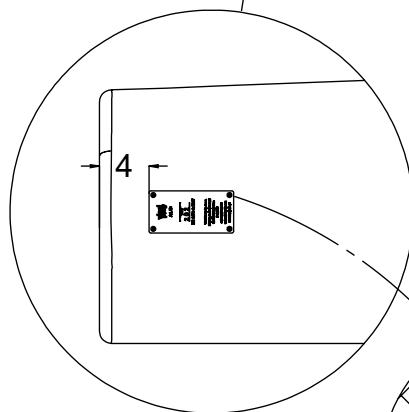
vinci play



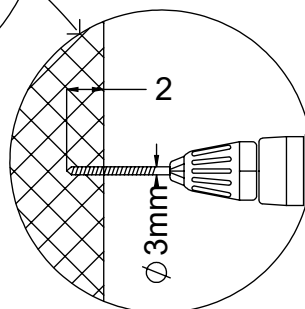
1x 12e078



0,00

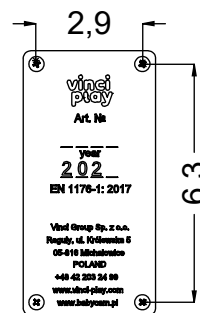


4



2

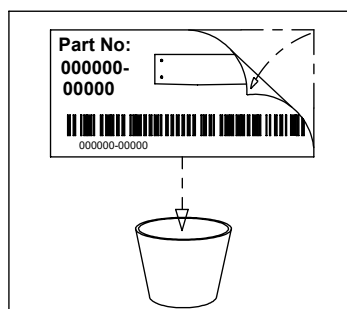
3mm



V001



48h



Part No:
000000-
00000

000000-00000

[cm]

vinci
play