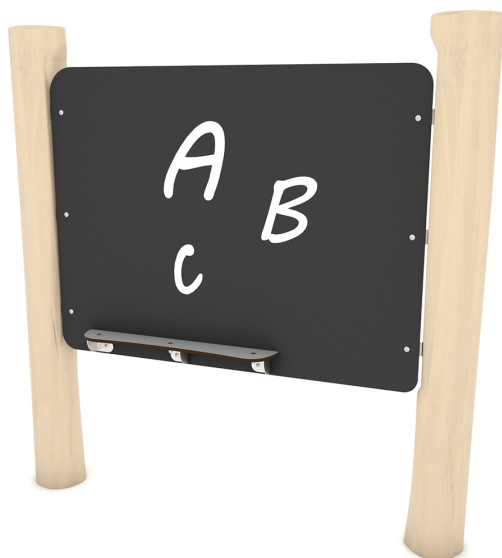


Product technical sheet

ROBINIA RB1341



1 - 8 years



2 kids



13,4 m²



Material specification

- Construction made of Robinia - very durable acacia wood with a diameter of ~ 18 cm without sharp edges, resistant to weather conditions,
- Drawing board made of durable HPL plate, resistant to weather conditions,
- Stainless steel and/or galvanized steel screws,



Facilitating disability



easy access



integration



Intellectual development



manipulation

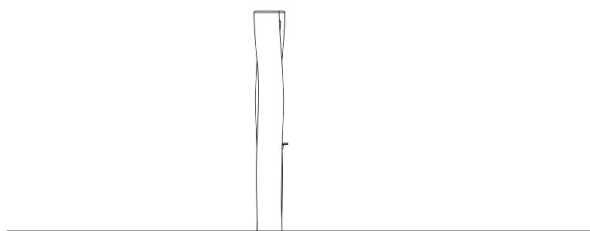
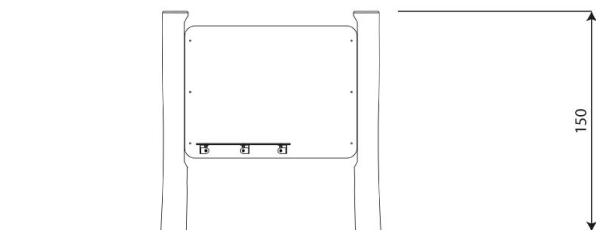
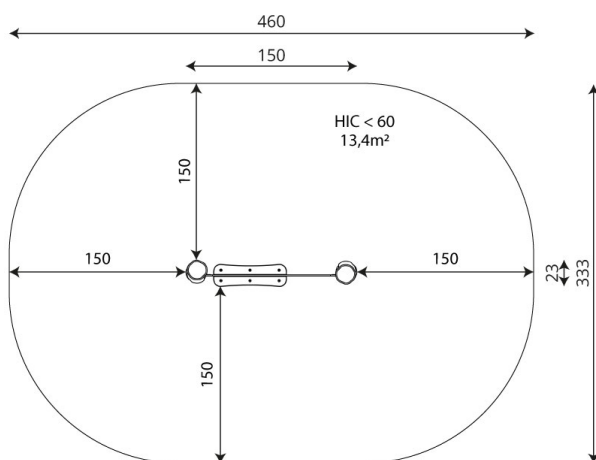


thinking





1
number of interactive elements



Product technical sheet

ROBINIA RB1341

Product data

| | |
|--------------------------------|---------------------|
| Length | 150 cm |
| Width | 23 cm |
| Total height | 150 cm |
| Age group | 1 - 8 years |
| Number of users | 2 kids |
| Safety zone | 13,4 m ² |
| Free fall height | <60 cm |
| In accordance with norm EN | 1176-1:2017 |
| Weight of the heaviest part | 51 kg |
| Dimensions of the largest part | 220x18x18 cm |
| Availability of spare parts | YES |
| Installation time | 1,0 h |

Data is subject to change without prior notice.

Additional information

- equipment adapted for the disabled; intended for public playgrounds;
- equipment has a certificate issued by an accredited entity or a declaration of conformity;
- no sharp edges or chinks that would pose a danger of jimmie the head, fingers or any other body parts;
- anchoring on flat surface, 80/70/60 cm deep;
- render is for reference only, the actual appearance of the equipment and its color may vary;

Guarantee

30

30 year guarantee - Structural strength of steel and stainless steel components

15

15 year guarantee - Structural failure of steel and stainless steel, for dynamic equipment

10

10 year guarantee - Structural failure of high density polyethylene and high pressure laminates components

5

5 year guarantee - Corrosion of stainless steel and hot dip galvanized and powder coated components; against bark beetles and rot in case of wooden structural elements

Detailed information in the guarantee card



Surfaces according to EN 1176-1:2017

| | Description (mm) | Layer thickness (cm) | Maximum fall heights (cm) |
|---------------------------------|------------------------------|----------------------|---------------------------|
| Turf/ top layer of soil (A,B,C) | - | - | ≤100 |
| bark (A,C) | Particle size from 20 to 80 | 30 | ≤200 |
| | | 40 | ≤300 |
| woodchips (A,C) | Particle size from 5 to 30 | 30 | ≤200 |
| | | 40 | ≤300 |
| sand or gravel (A,C) | Particle size from 0,25 to 8 | 30 | ≤200 |
| | | 40 | ≤300 |
| synthetic attested (A,B,C) | Tested according to EN 1177 | | 60 |

Product technical sheet

ROBINIA RB1341

Amount of safe surface corresponding with free fall height:

HIC <60 13,4 m²

Data is subject to change without prior notice.

