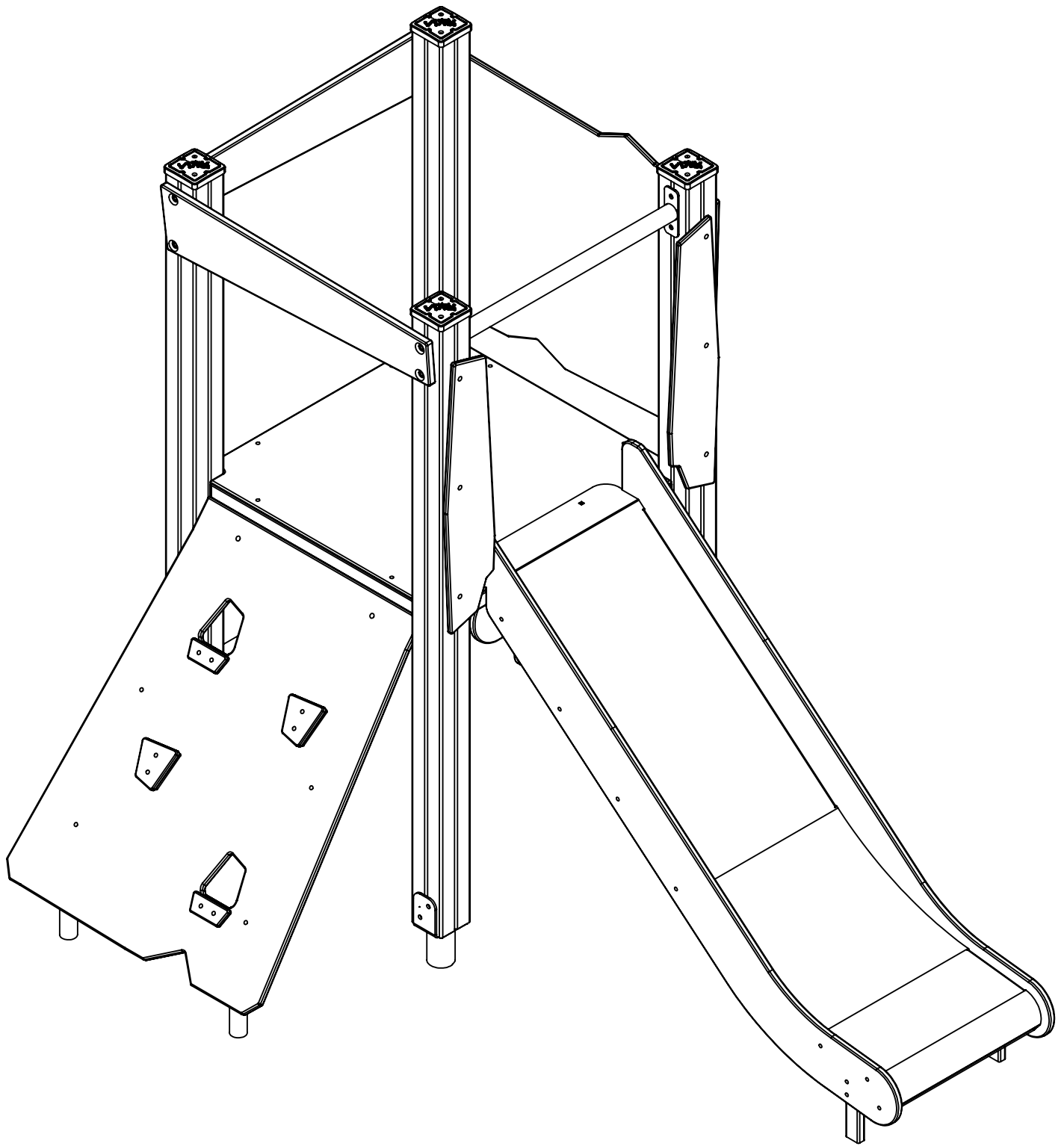
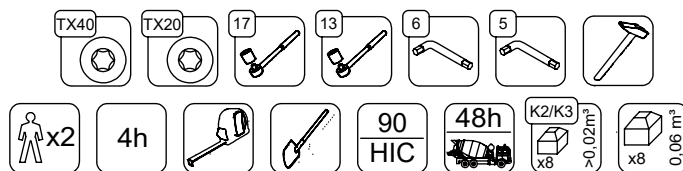


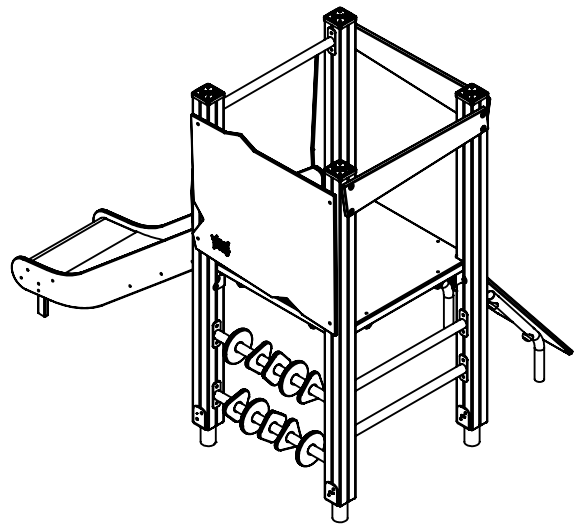
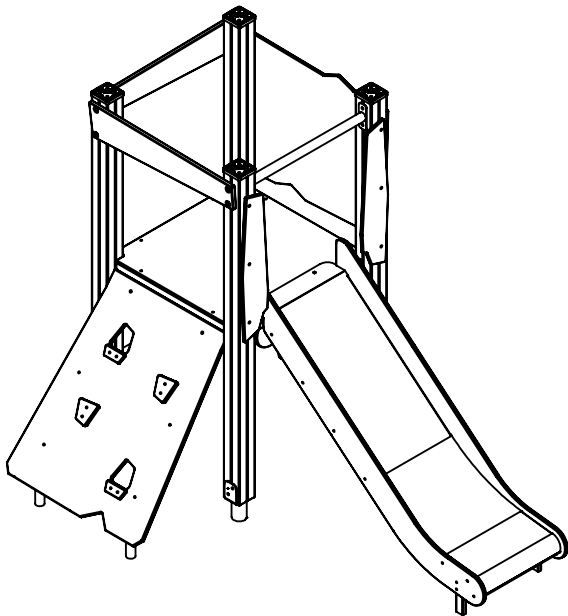
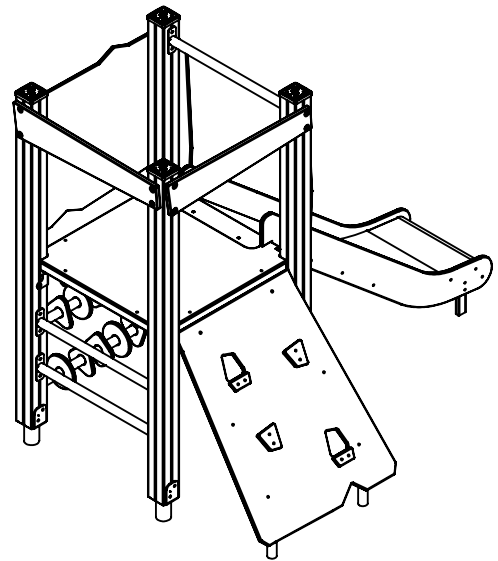
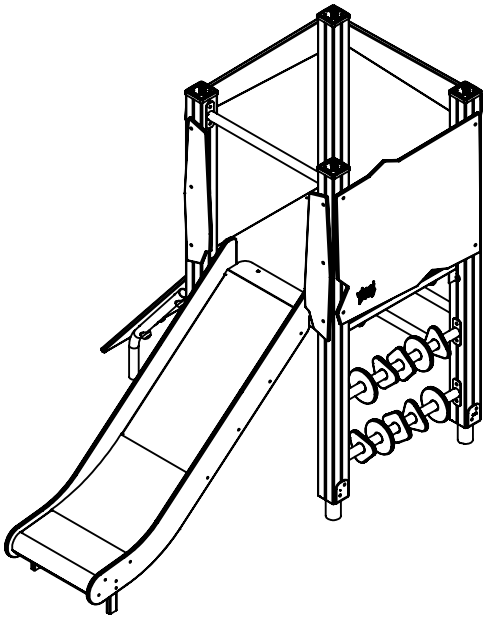
# WD1403



v012  
22.04.2022  
D. P.  
[cm]

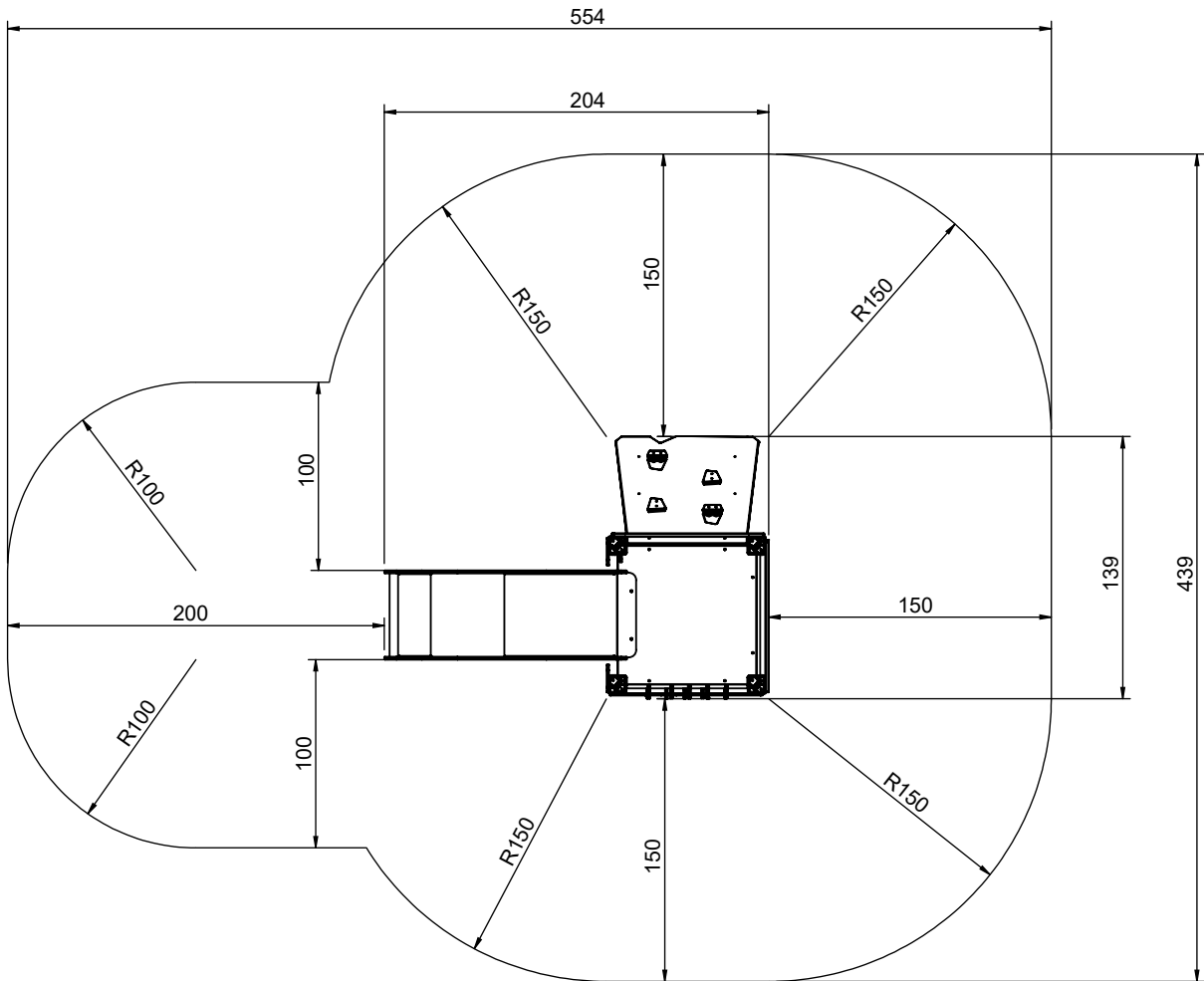
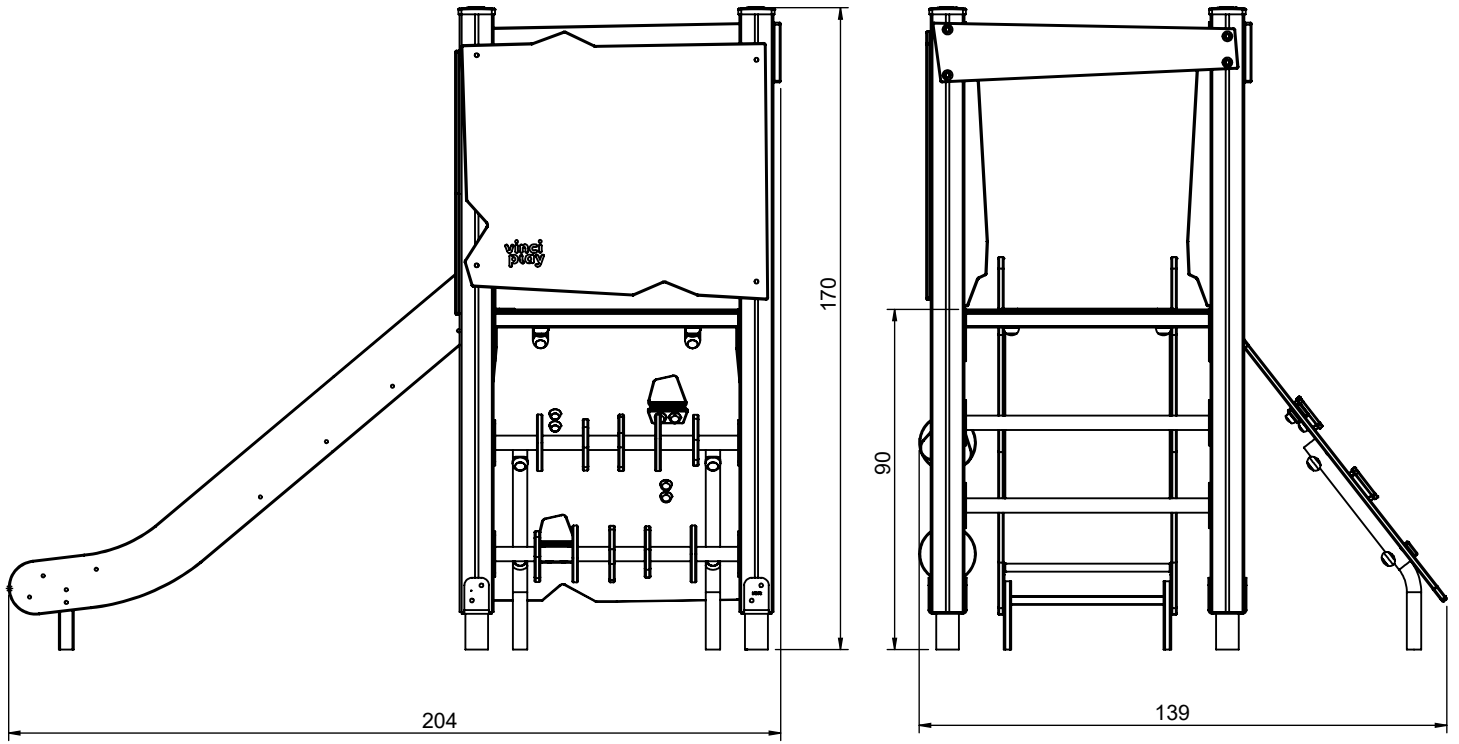


vinci  
play



[cm]

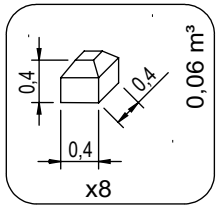
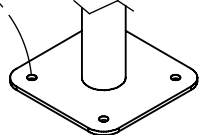
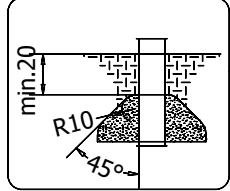
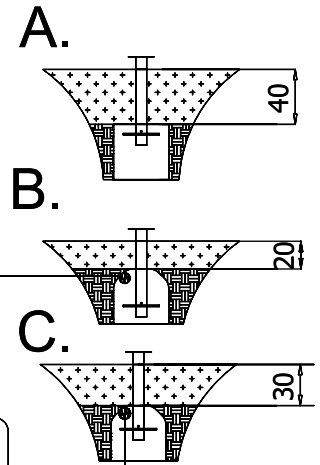
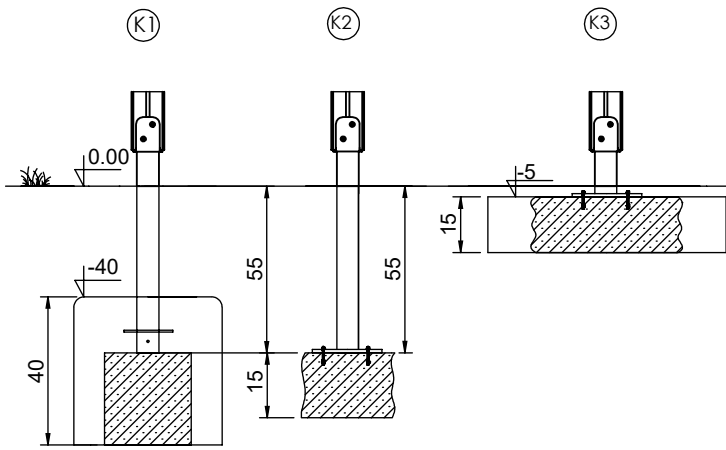
vinci  
play



[cm]



vinci  
play

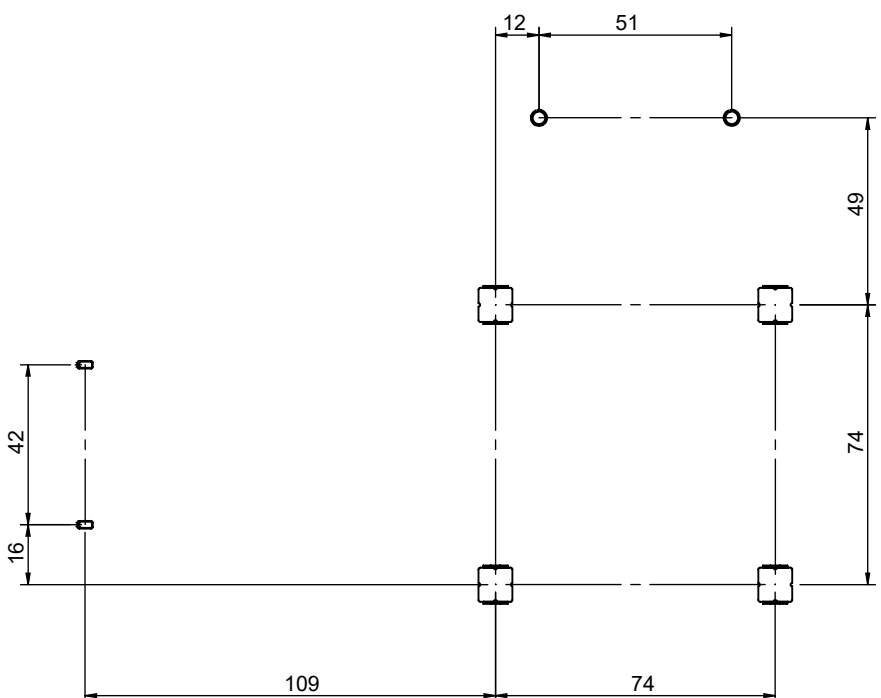


4x M8x120 (K2)  
2x M8x120 (K3)

**NOT INCLUDED**

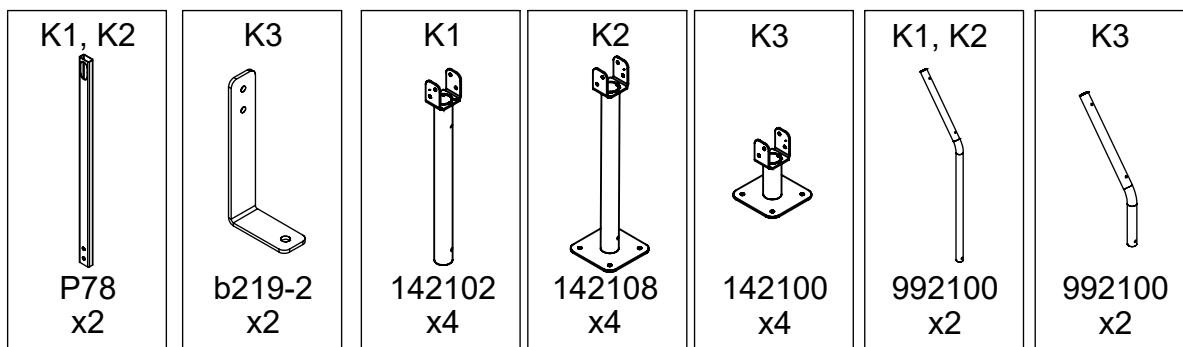
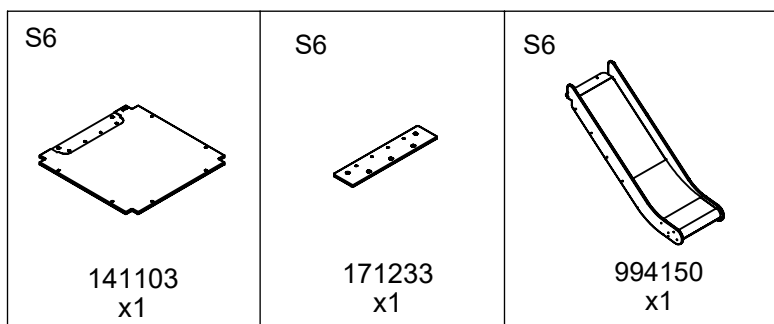
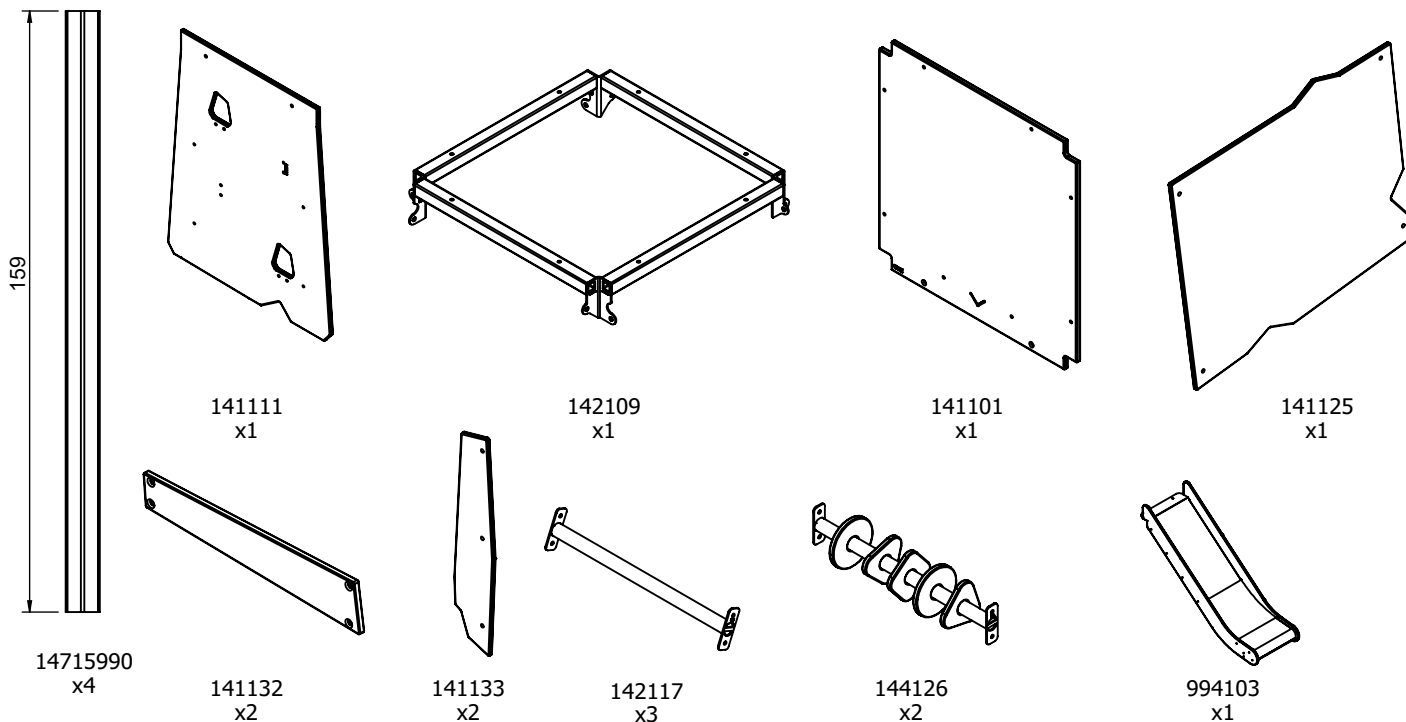
16x M10x120 (K2)  
18x M10x120 (K3)

**NOT INCLUDED**



[cm]

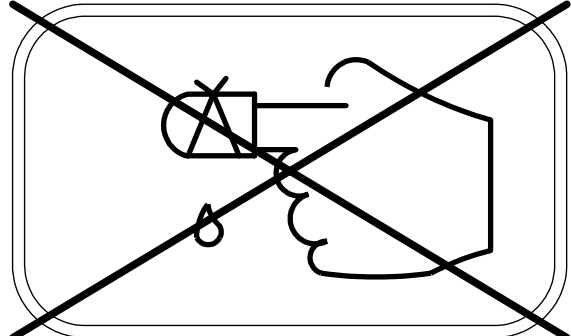
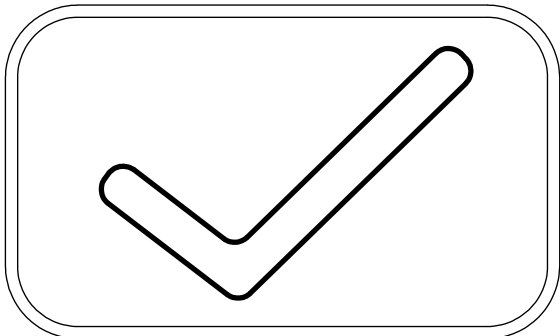
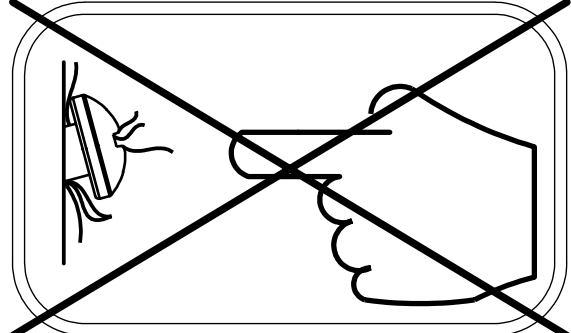
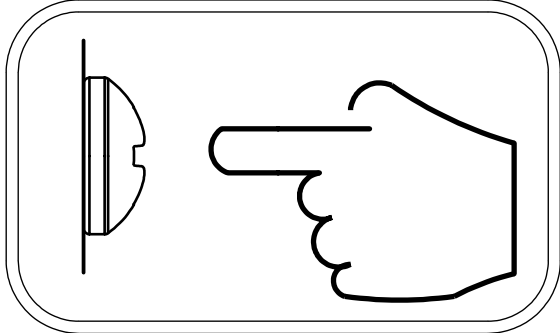
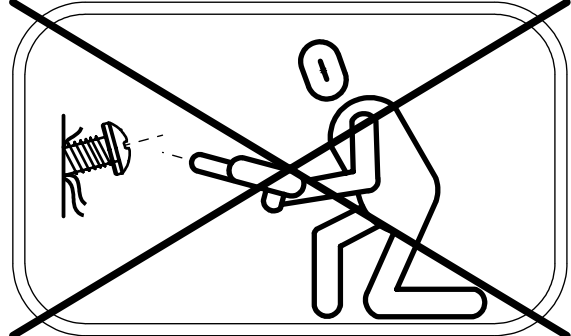
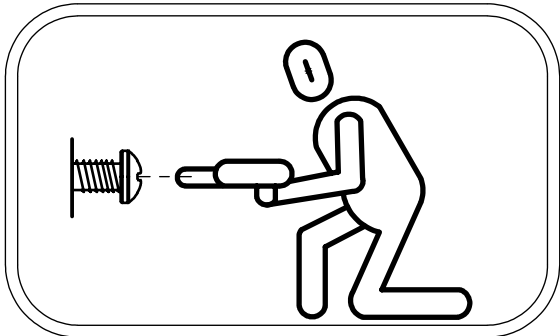
vinci play

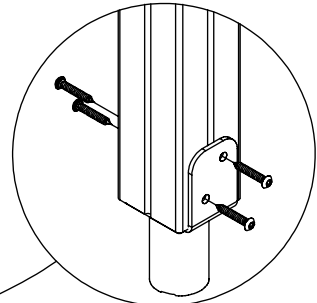
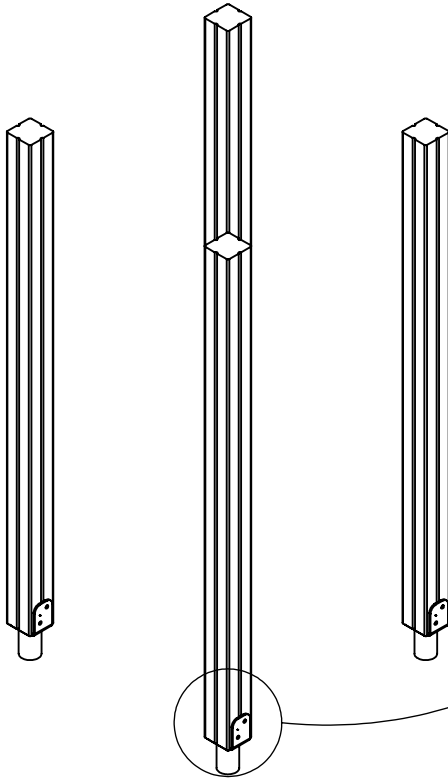
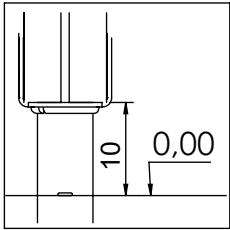


		Plywood/ HDPE		HPL	
62x	8x50 sxi	1x	WD72	1x	WD73
4x	WD1	2x	WD15	2x	WD15
1x	E34 <sub>(K1,K3)</sub>	2x	WD35	2x	WD36
1x	E35 <sub>(K2)</sub>	1x	WD28 <sub>(S1)</sub>	1x	WD29 <sub>(S1)</sub>
1x	E88 <sub>(K2,K3)</sub>	1x	WD113 <sub>(S6)</sub>	1x	WD114 <sub>(S6)</sub>
1x	V001	1x	WD37	1x	WD38
				1x	P061 S6

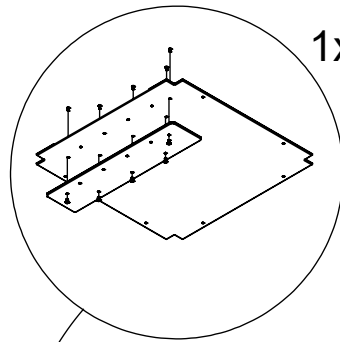
[cm]

vinci  
play

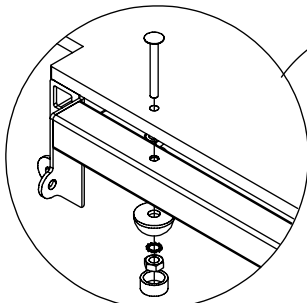
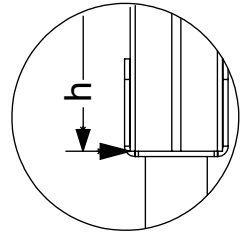




8x50 sxi

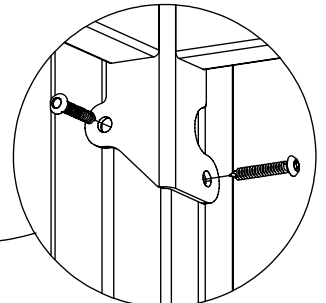
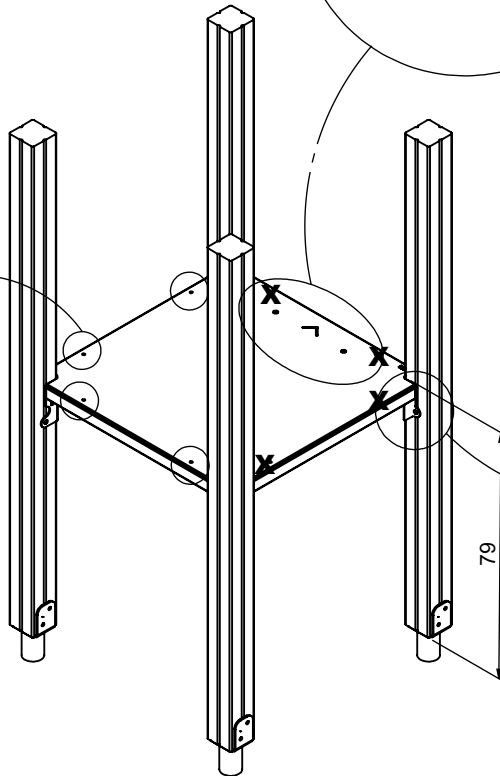


1x P061 S6



PLYWOOD  
WD72

HPL  
WD73



8x50 sxi



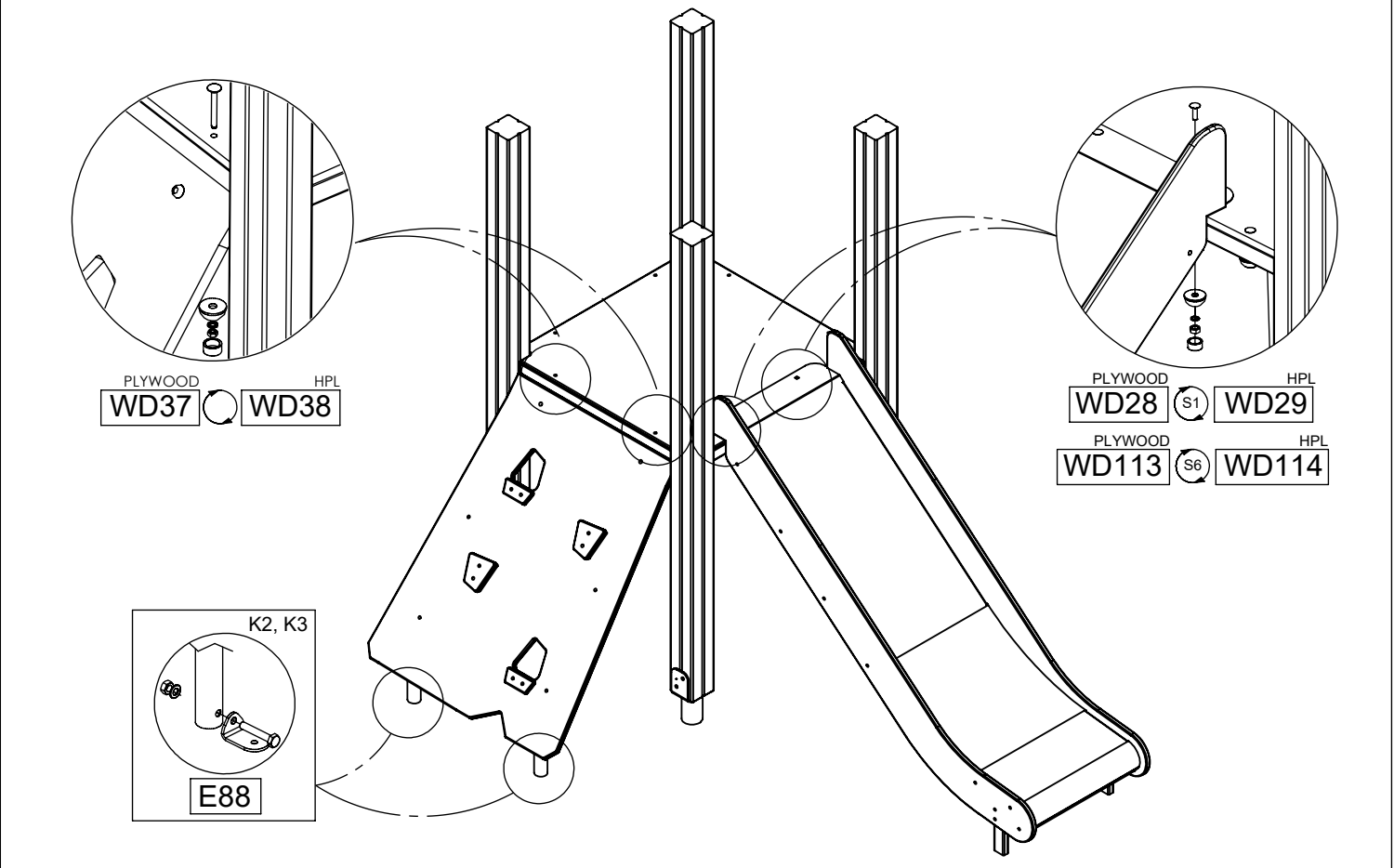
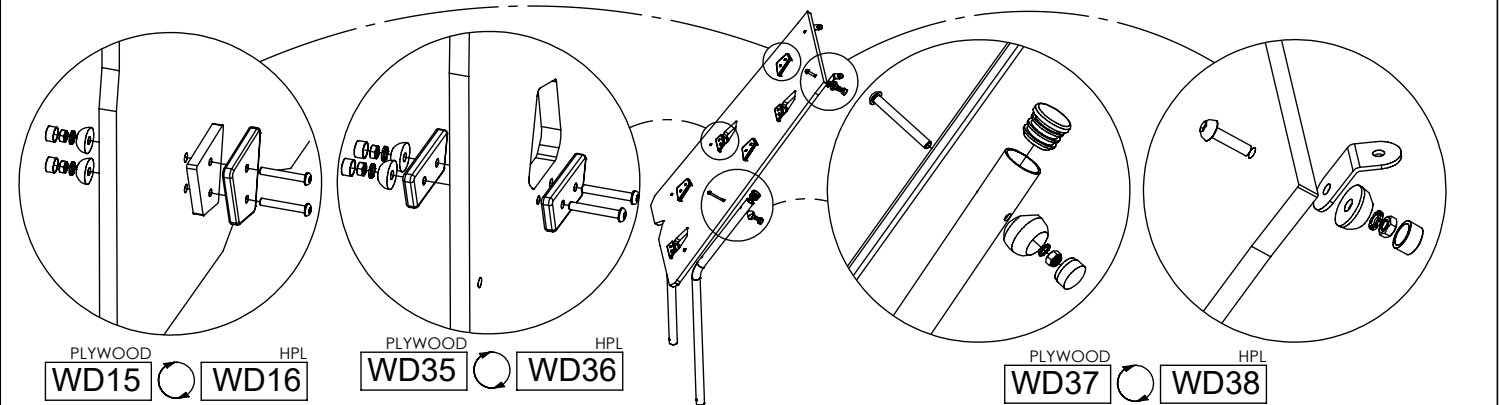
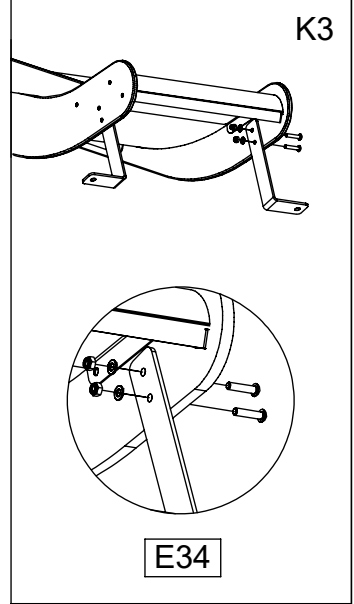
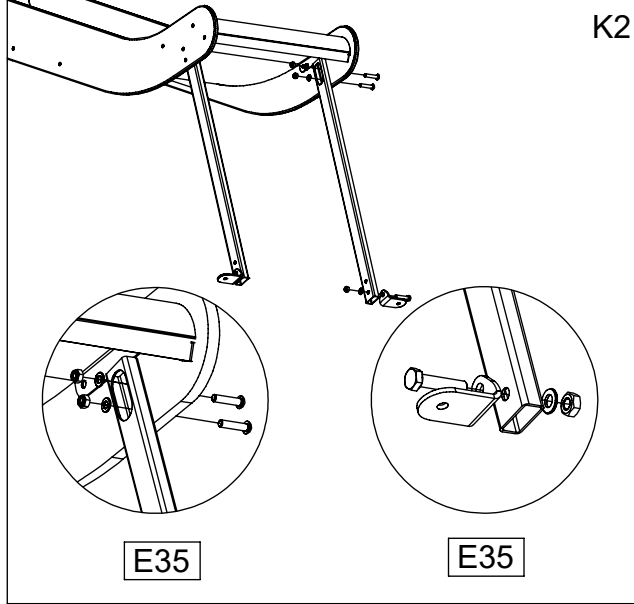
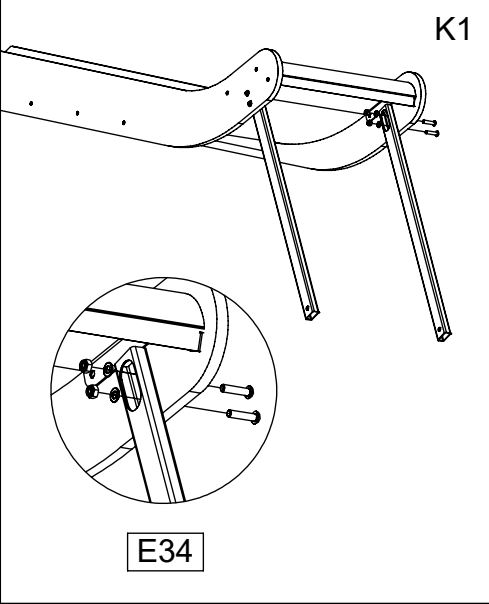
[cm]

vinci  
play

K1

K2

K3

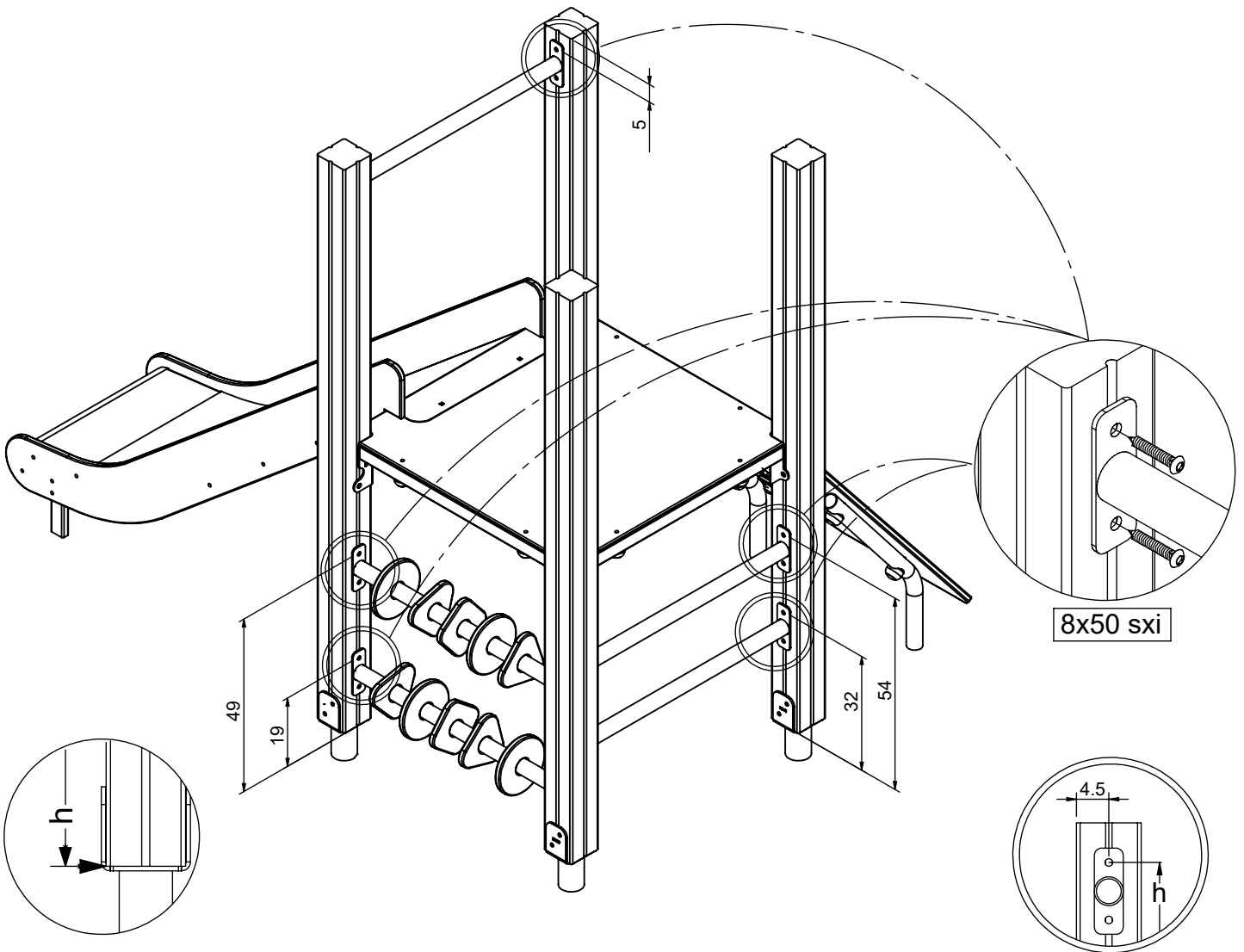


[cm]



vinci play

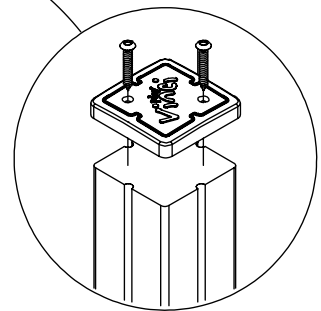
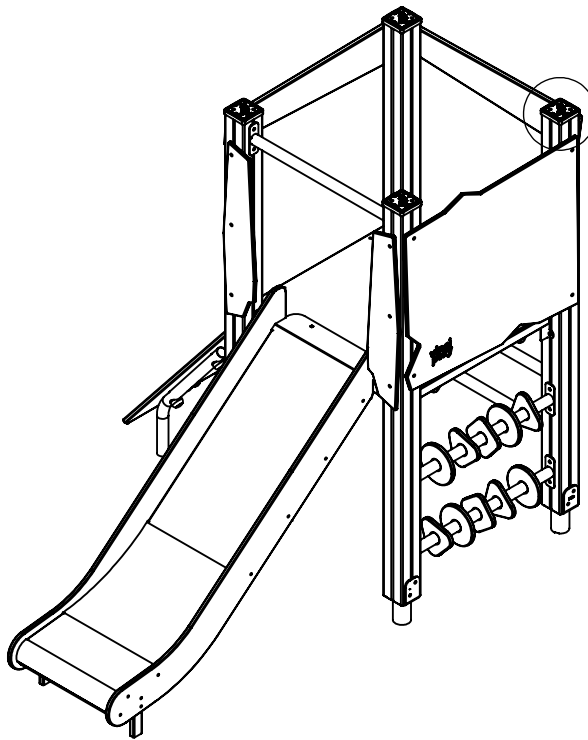
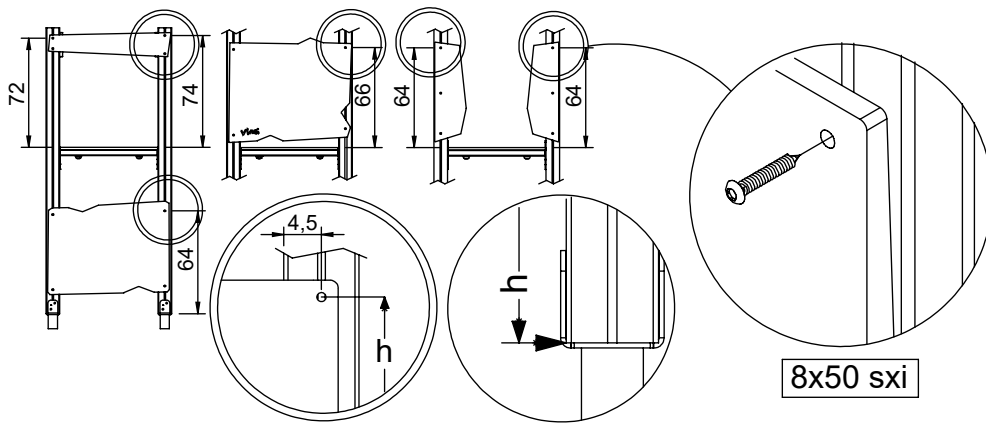




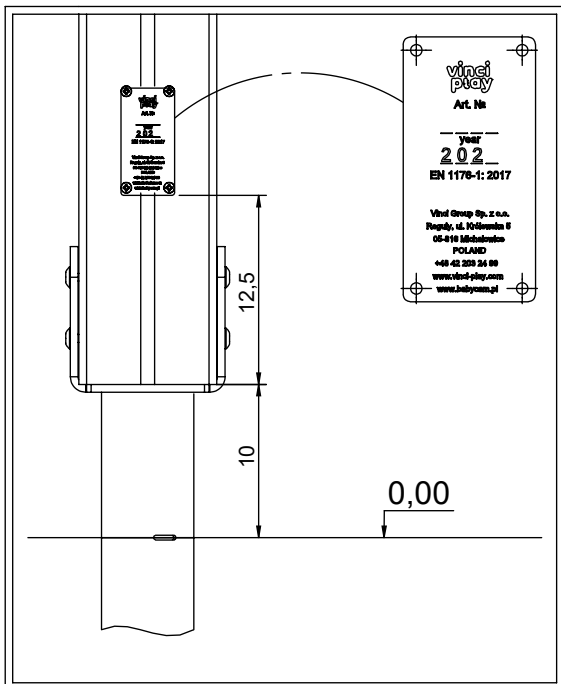
[cm]



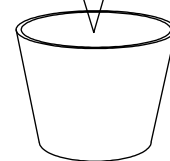
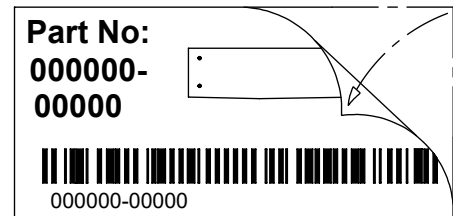
vinci  
play



WD1



V001



[cm]



vinci play