

WOODEN WD1503C11Q



1 - 8 years



25 kids



33,8 m²



Material specification

- The structure is made of a durable, moisture-resistant and low-temperature recycled composite,
- Platforms, climbing walls and steps made of durable anti-slip and waterproof plywood or HPL plate,
- Structure for platforms made of hot-dip galvanized and powder coated steel;
- Roofs and side panels made of recycled HDPE boards, resistant to weather conditions.
- Slides made of stainless steel with sides made of recycled HDPE boards, resistant to atmospheric conditions,
- Educational panels and manipulators made of recycled HDPE panel, resistant to weather conditions,
- Maze windows made of polycarbonate, balls made of synthetic material,
- Double wall tube passage made of polypropylene,
- Steel ropes in polypropylene braid, connected with durable plastic elements, stainless steel or aluminum,
- Calibrated stainless steel chains, preventing fingers entrapment,
- Stainless steel bars,
- Screws covered with plastic caps and/or stainless steel screws,
- Safe end caps made of polypropylene,



Facilitating disability



easy access



integration



Intellectual development



manipulation



sensorics



sight



thinking



Physical development



sliding



passage



climbing



crawling





2
number of towers



1
number of slides



2
number of roofs



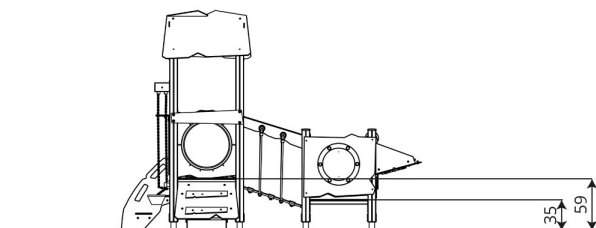
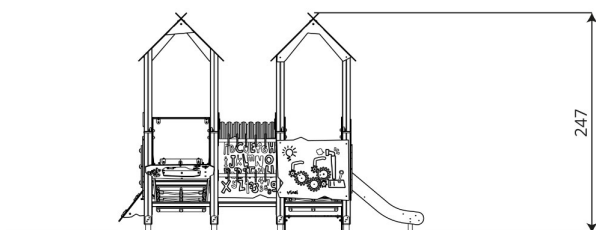
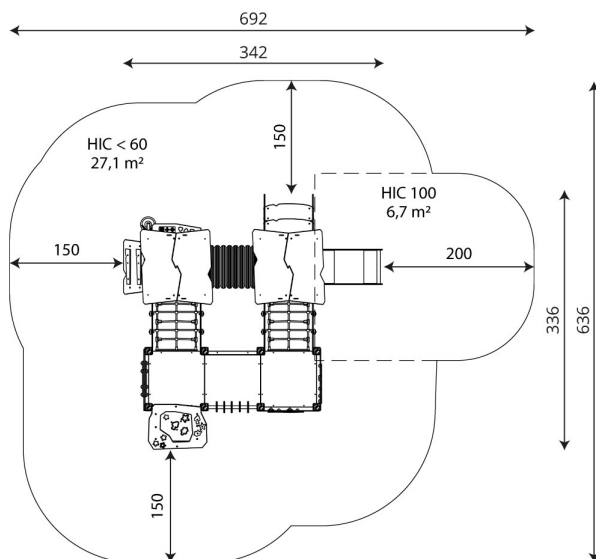
7
number of interactive elements



4
number of activity elements



stairs



Product technical sheet

**WOODEN
WD1503C11Q**

Product data

Length	342 cm
Width	336 cm
Total height	247 cm
Age group	1 - 8 years
Number of users	25 kids
Safety zone	33,8 m2
Free fall height	<60 cm
The height of the platforms	35, 59 cm
slide platform height	59 cm
In accordance with norm EN	1176-1:2017
Weight of the heaviest part	12 kg
Dimensions of the largest part	197x9x9 cm
Availability of spare parts	YES
Installation time	9 h

Color options

Data is subject to change without prior notice.

Additional information

- equipment adapted for the disabled; intended for public playgrounds;
- equipment has a certificate issued by an accredited entity or a declaration of conformity;
- no sharp edges or chinks that would pose a danger of jimmie the head, fingers or any other body parts;
- anchoring on flat surface, 80/70/60 cm deep;
- slide should not be installed southwards;

Guarantee

30 30 year guarantee - Structural strength of steel and stainless steel components

15 15 year guarantee - Structural failure of steel and stainless steel, for dynamic equipment

10 10 year guarantee - Structural failure of high density polyethylene and high pressure laminates components

5 5 year guarantee - Corrosion of stainless steel and hot dip galvanized and powder coated components; against bark beetles and rot in case of wooden structural elements

Detailed information in the guarantee card

Vinci Group Sp. z o.o.
Seminarnyja 9 Street
99-400 Łowicz

VAT: 534-250-14-46
PHONE: +48 42 203 24 99 ext. 26
M: +48 793 404 991



biuro@vinci-play.com
info@vinci-play.com
www.vinci-play.com

Surfaces according to EN 1176-1:2017

	Description (mm)	Layer thickness (cm)	Maximum fall heights (cm)
Turf/ top layer of soil (A,B,C)	-	-	≤100
bark (A,C)	Particle size from 20 to 80	30	≤200
		40	≤300
woodchips (A,C)	Particle size from 5 to 30	30	≤200
		40	≤300
sand or gravel (A,C)	Particle size from 0,25 to 8	30	≤200
		40	≤300
synthetic attested (A,B,C)	Tested according to EN 1177		100

Product technical sheet

WOODEN WD1503C11Q

Amount of safe surface corresponding with free fall height:

HIC <60 27,1 m²

HIC 100 6,7 m²

Data is subject to change without prior notice.

