

# SPRING 0630



1 - 12 years



2 kids



13.8 m<sup>2</sup>

## Material specification

- Powder galvanized and powder coated steel construction,
- Backrests and side panels made of recycled HDPE plate, resistant to weather conditions,
- Seats made of durable anti-slip and waterproof HPL plate, resistant to weather conditions,
- Steel springs 20 mm, iron phosphorated and powder coated,
- Stainless steel bars,
- Grips made of synthetic material,
- Screws covered with plastic caps and/or stainless steel screws,



### Facilitating disability



easy access



handrails



integration

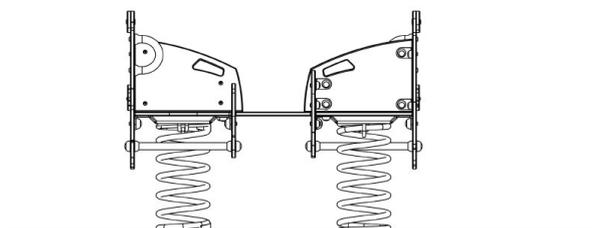
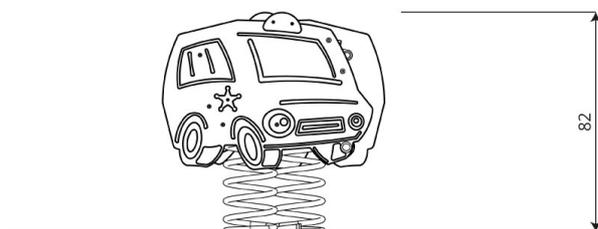
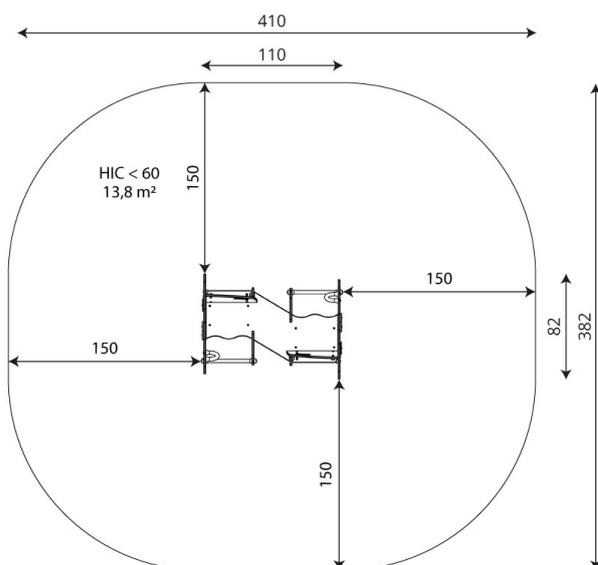


### Physical development



rocking





## Product technical sheet

# SPRING 0630

### Product data

|                                |                     |
|--------------------------------|---------------------|
| Length                         | 110 cm              |
| Width                          | 82 cm               |
| Total height                   | 82 cm               |
| Age group                      | 1 - 12 years        |
| Number of users                | 2 kids              |
| Safety zone                    | 13.8 m <sup>2</sup> |
| Free fall height               | <60 cm              |
| In accordance with norm EN     | 1176-1:2017         |
| Weight of the heaviest part    | 10 kg               |
| Dimensions of the largest part | 103x56x2 cm         |
| Availability of spare parts    | YES                 |
| Installation time              | 1,5 h               |
| Color options                  |                     |

Data is subject to change without prior notice.

### Additional information

- equipment adapted for the disabled; intended for public playgrounds;
- equipment has a certificate issued by an accredited entity or a declaration of conformity;
- no sharp edges or chinks that would pose a danger of jimmie the head, fingers or any other body parts;
- anchoring on flat surface, 80/70/60 cm deep;
- render is for reference only, the actual appearance of the equipment and its color may vary;

## Guarantee

**30** 30 year guarantee - Structural strength of steel and stainless steel components

**15** 15 year guarantee - Structural failure of steel and stainless steel, for dynamic equipment

**10** 10 year guarantee - Structural failure of high density polyethylene and high pressure laminates components

**5** 5 year guarantee - Corrosion of stainless steel and hot dip galvanized and powder coated components; against bark beetles and rot in case of wooden structural elements

Detailed information in the guarantee card



# SPRING 0630

## Surfaces according to EN 1176-1:2017

|                                 | Description (mm)             | Layer thickness (cm) | Maximum fall heights (cm) |
|---------------------------------|------------------------------|----------------------|---------------------------|
| Turf/ top layer of soil (A,B,C) | -                            | -                    | ≤100                      |
| bark (A,C)                      | Particle size from 20 to 80  | 30                   | ≤200                      |
|                                 |                              | 40                   | ≤300                      |
| woodchips (A,C)                 | Particle size from 5 to 30   | 30                   | ≤200                      |
|                                 |                              | 40                   | ≤300                      |
| sand or gravel (A,C)            | Particle size from 0,25 to 8 | 30                   | ≤200                      |
|                                 |                              | 40                   | ≤300                      |
| synthetic attested (A,B,C)      | Tested according to EN 1177  |                      | 60                        |

### Amount of safe surface corresponding with free fall height:

HIC <60 13,8 m<sup>2</sup>

Data is subject to change without prior notice.

