

**Product technical sheet**

**SOLO 0685**



3 - 12 years



2 kids



11,5 m<sup>2</sup>

**Material specification**

- Powder galvanized and powder coated or stainless steel construction of 80 x 80 mm profile,
- The platform is made of recycled HDPE panel, resistant to weather conditions
- Handles made of durable HDPE plate, resistant to weather conditions,
- Screws covered with plastic caps and/or stainless steel screws,
- Safe end caps on top of the structure made of synthetic material,



**Physical development**

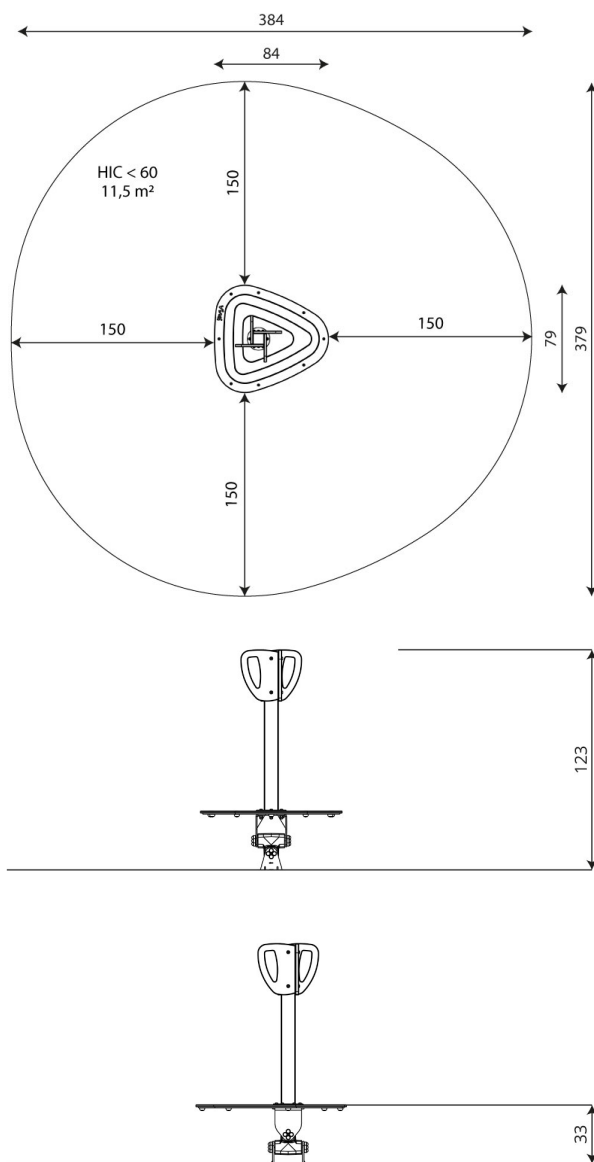


balance



rocking





## Product technical sheet

# SOLO 0685

### Product data

Length	84 cm
Width	79 cm
Total height	123 cm
Age group	3 - 12 years
Number of users	2 kids
Safety zone	11,5 m2
Free fall height	<60 cm
The height of the platforms	33 cm
In accordance with norm EN	1176-1:2017
Weight of the heaviest part	29 kg
Dimensions of the largest part	8479x1 cm
Availability of spare parts	YES
Installation time	1,5 h
Color options	

Data is subject to change without prior notice.

### Additional information

- equipment intended for public playgrounds;
- equipment has a certificate issued by an accredited entity or a declaration of conformity;
- no sharp edges or chinks that would pose a danger of jimmie the head, fingers or any other body parts;
- anchoring on flat surface, 80/70/60 cm deep;
- render is for reference only, the actual appearance of the equipment and its color may vary;

## Guarantee

**30** 30 year guarantee - Structural strength of steel and stainless steel components

**15** 15 year guarantee - Structural failure of steel and stainless steel, for dynamic equipment

**10** 10 year guarantee - Structural failure of high density polyethylene and high pressure laminates components

**5** 5 year guarantee - Corrosion of stainless steel and hot dip galvanized and powder coated components; against bark beetles and rot in case of wooden structural elements

Detailed information in the guarantee card



# SOLO 0685

## Surfaces according to EN 1176-1:2017

	Description (mm)	Layer thickness (cm)	Maximum fall heights (cm)
Turf/ top layer of soil (A,B,C)	-	-	≤100
bark (A,C)	Particle size from 20 to 80	30	≤200
		40	≤300
woodchips (A,C)	Particle size from 5 to 30	30	≤200
		40	≤300
sand or gravel (A,C)	Particle size from 0,25 to 8	30	≤200
		40	≤300
synthetic attested (A,B,C)	Tested according to EN 1177		60

### Amount of safe surface corresponding with free fall height:

HIC <60 11,5 m<sup>2</sup>

Data is subject to change without prior notice.

