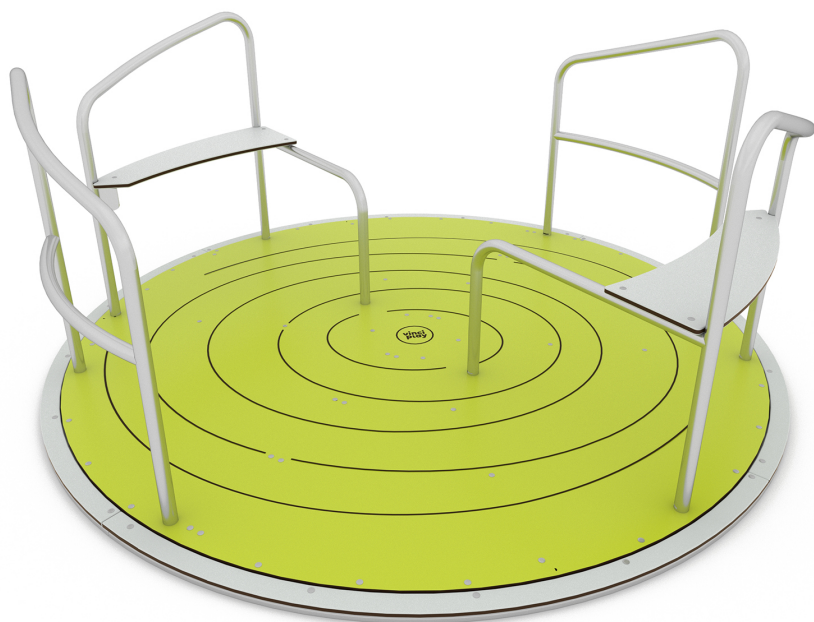


HOOP 0728



3 - 12 years



6 kids



30,2 m²



Material specification

- Hot-dip galvanized and powder coated steel construction,
- Platforms made of durable anti-slip and waterproof HPL plate,
- Seats/backrests made of durable HPL plate, resistant to weather conditions,
- Stainless steel handrails,
- Screws covered with plastic caps and/or stainless steel screws,



Facilitating disability



easy access



integration



Physical development

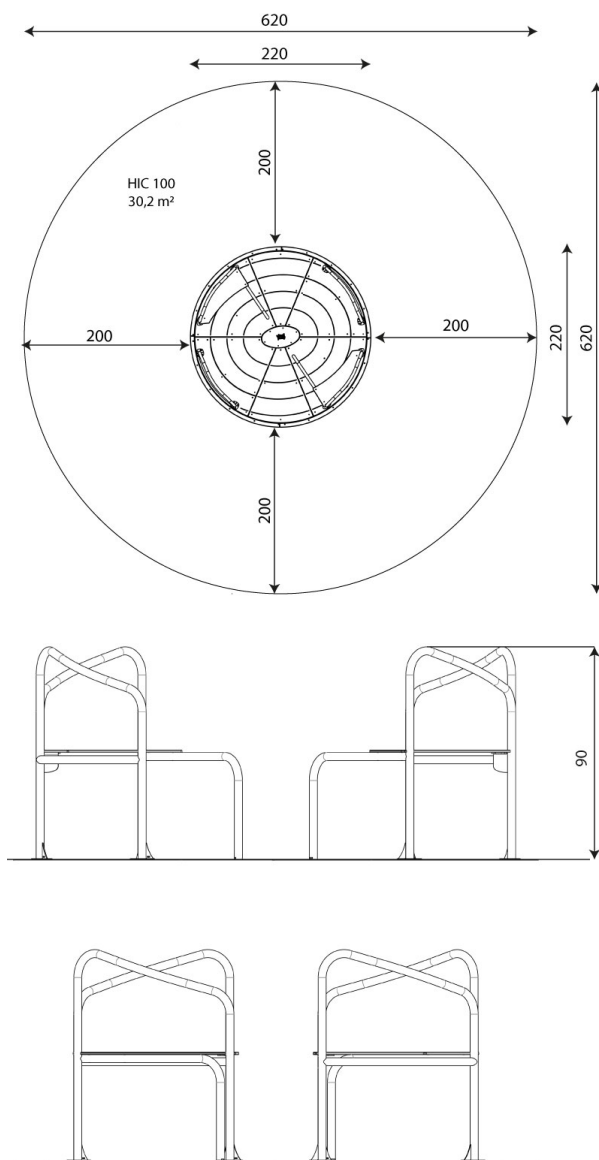


community



spinning





Product technical sheet

HOOP 0728

Product data

Length	220 cm
Width	220 cm
Total height	90 cm
Age group	3 - 12 years
Number of users	6 kids
Safety zone	30,2 m ²
Free fall height	90 cm
In accordance with norm EN	1176-1:2017
Weight of the heaviest part	80 kg
Dimensions of the largest part	104x115x15 cm
Availability of spare parts	YES
Installation time	24 h
Color options	

Data is subject to change without prior notice.

Additional information

- equipment adapted for the disabled; intended for public playgrounds;
- equipment has a certificate issued by an accredited entity or a declaration of conformity;
- no sharp edges or chinks that would pose a danger of jimming the head, fingers or any other body parts;
- anchoring on flat surface, 45 cm deep;
- render is for reference only, the actual appearance of the equipment and its color may vary;

Guarantee

- 30** 30 year guarantee - Structural strength of steel and stainless steel components
- 15** 15 year guarantee - Structural failure of steel and stainless steel, for dynamic equipment
- 10** 10 year guarantee - Structural failure of high density polyethylene and high pressure laminates components
- 5** 5 year guarantee - Corrosion of stainless steel and hot dip galvanized and powder coated components; against bark beetles and rot in case of wooden structural elements

Detailed information in the guarantee card



Surfaces according to EN 1176-1:2017

	Description (mm)	Layer thickness (cm)	Maximum fall heights (cm)
Turf/ top layer of soil (A,B,C)	-	-	≤100
bark (A,C)	Particle size from 20 to 80	30	≤200
		40	≤300
woodchips (A,C)	Particle size from 5 to 30	30	≤200
		40	≤300
sand or gravel (A,C)	Particle size from 0,25 to 8	30	≤200
		40	≤300
synthetic attested (A,B,C)	Tested according to EN 1177		100

Product technical sheet

HOOP 0728

Amount of safe surface corresponding with free fall height:

HIC 100 30,2 m²

Data is subject to change without prior notice.

