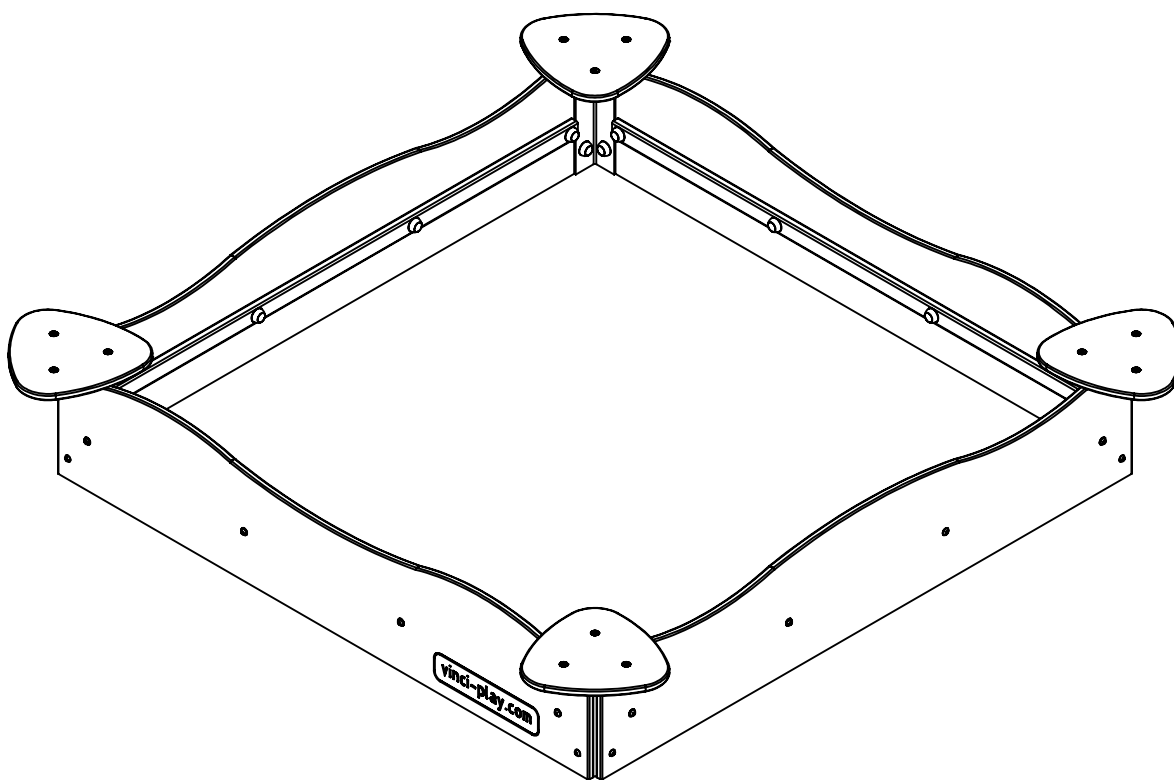
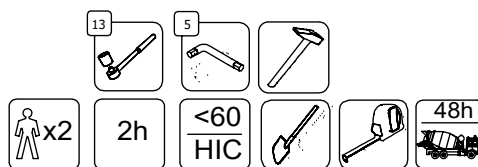


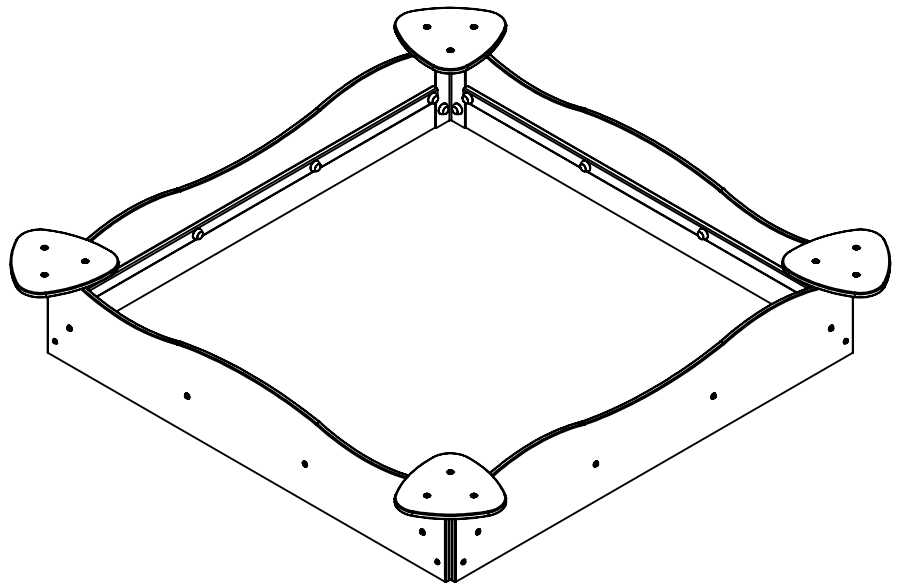
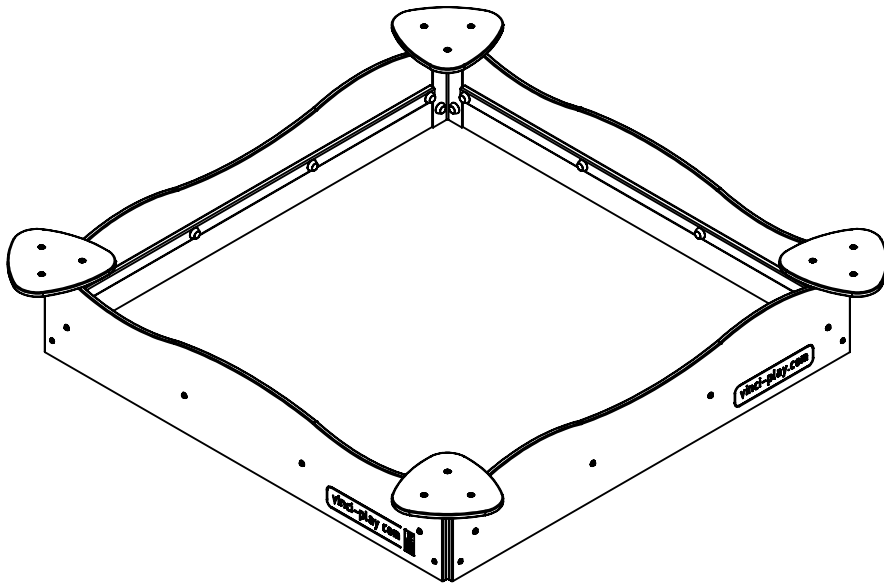
0801-1



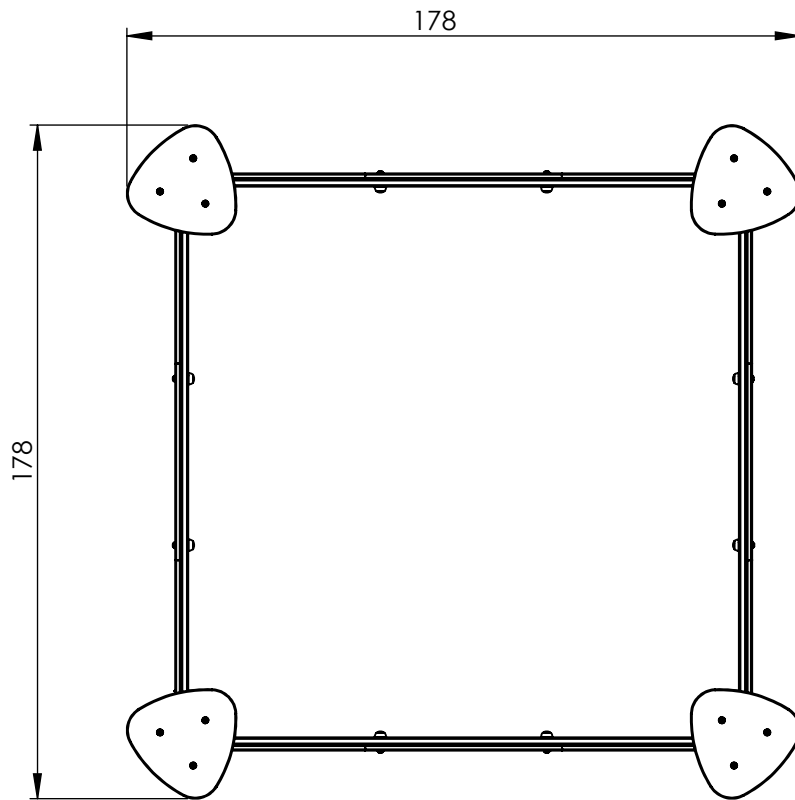
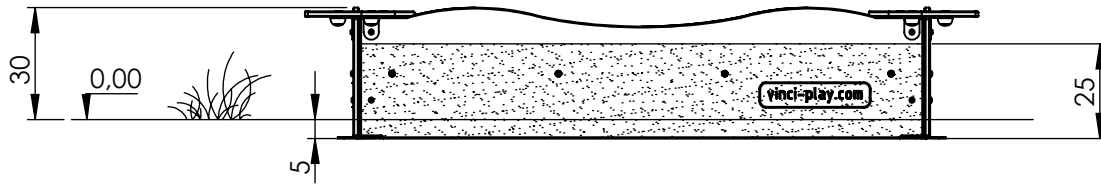
[cm]
v011
29.03.2022
D.P.



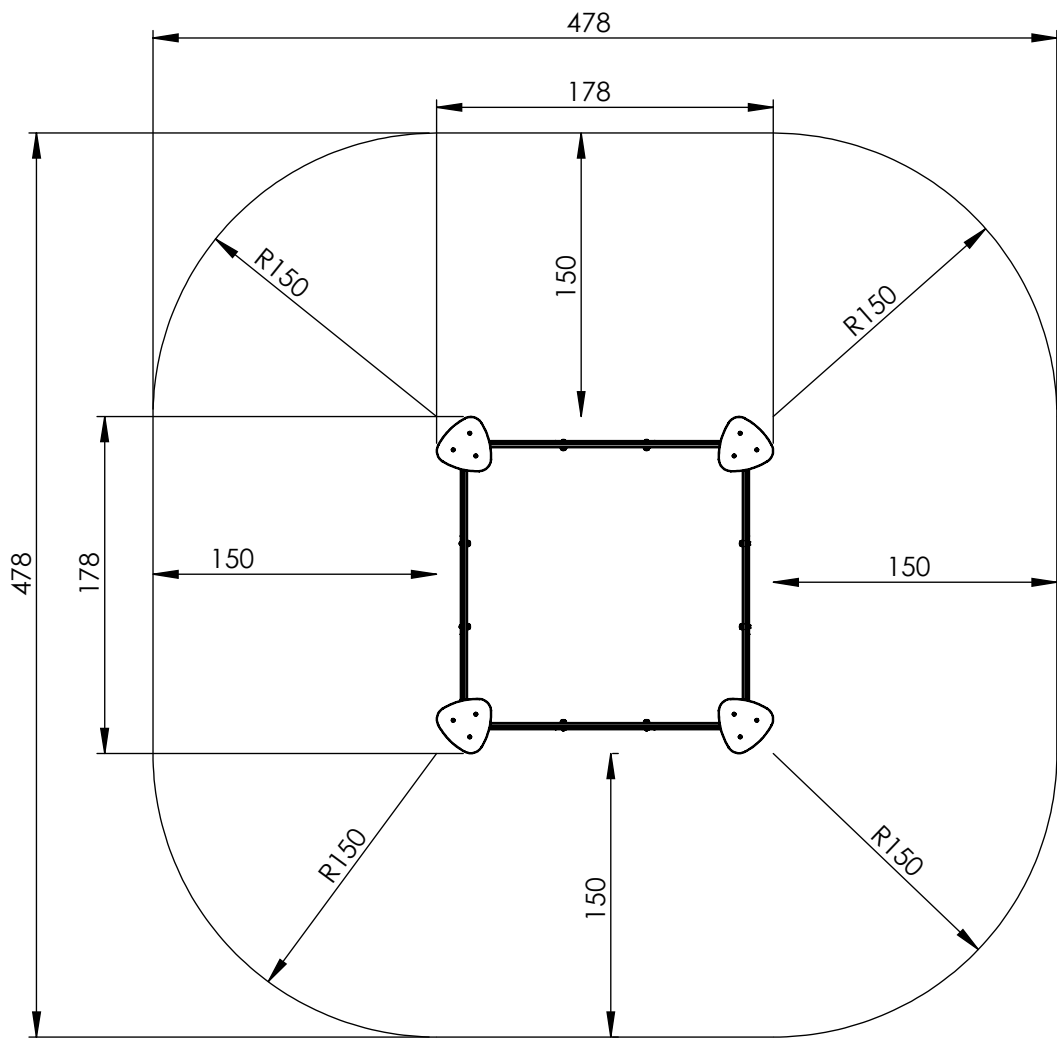
vinci play
vinci



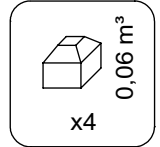
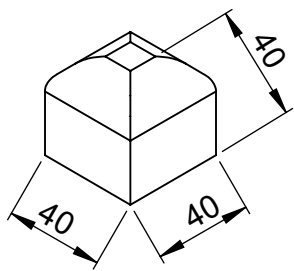
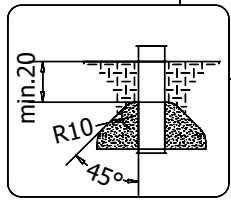
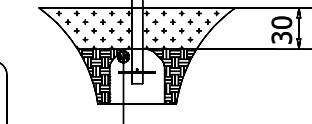
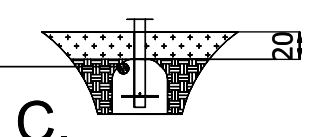
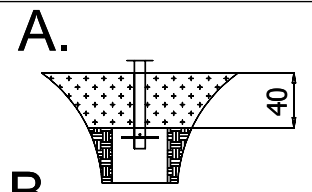
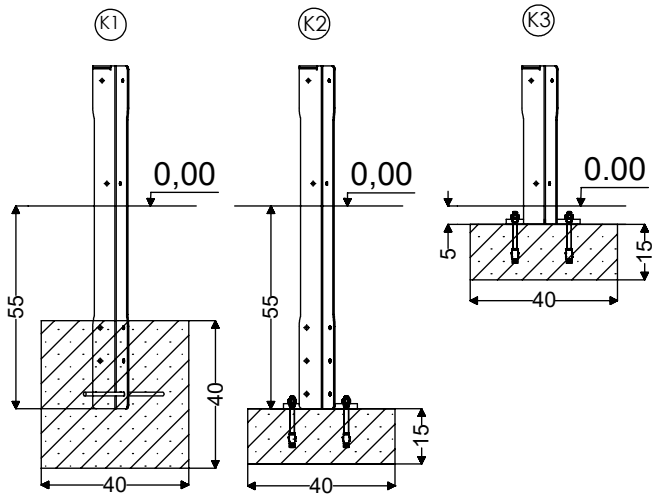
[cm]


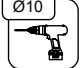



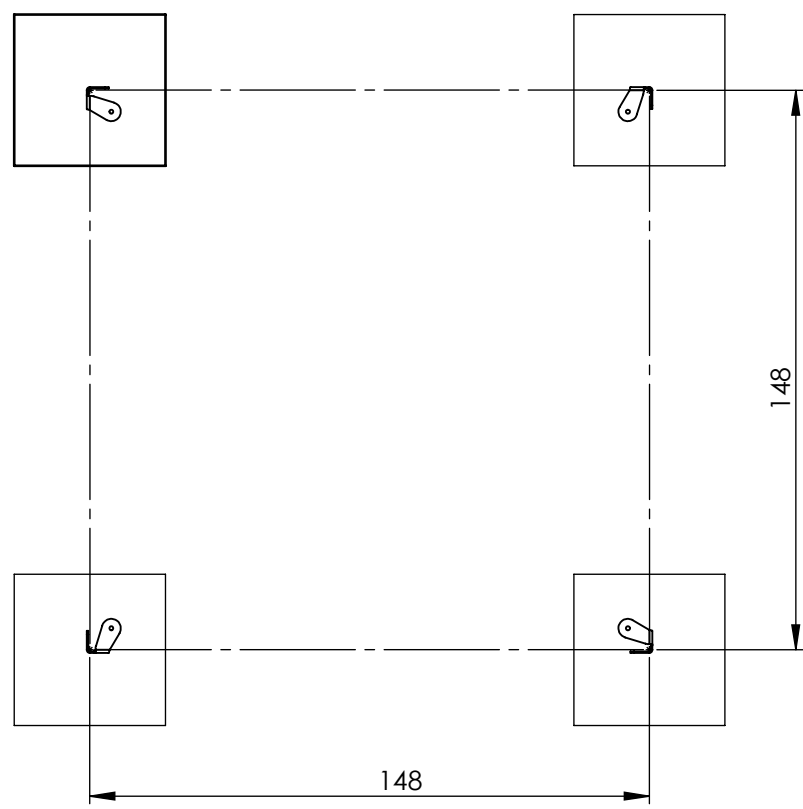
[cm]



[cm]



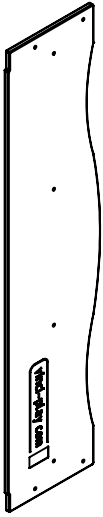
	K2, K3
M10x120 x8	
NOT INCLUDED	



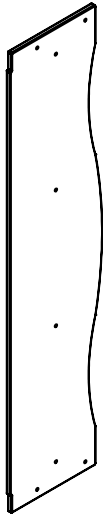
[cm]

 x2	2h			48h	 K1 x4 >0,06m³	 K2, K3 x4 >0,2m³
--	----	---	---	-----	--	--

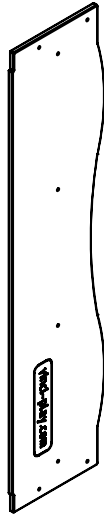
play
vinici



081190
x1



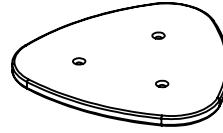
081155
x1



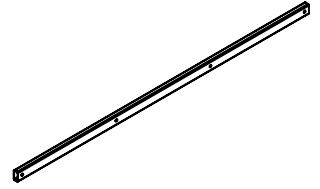
081191
x1



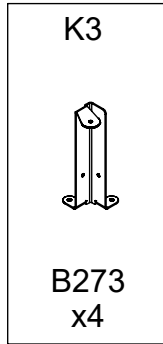
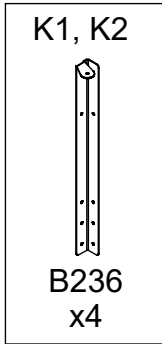
081154
x1



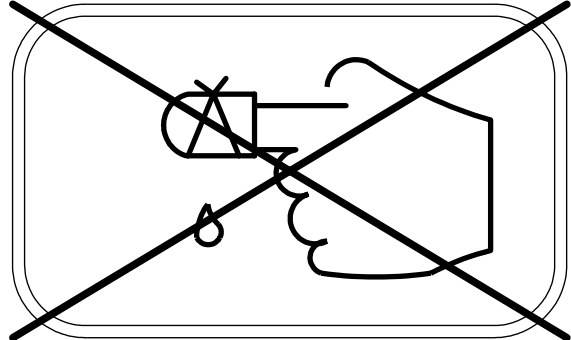
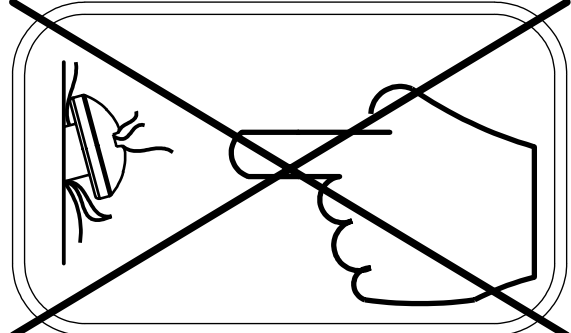
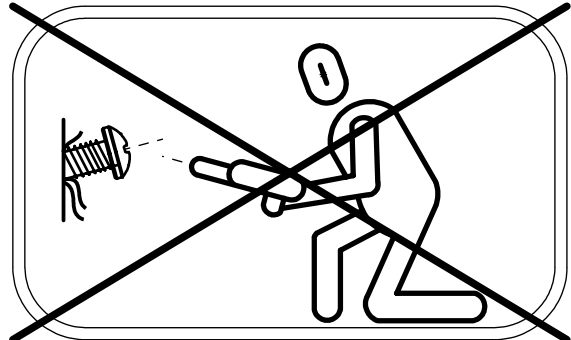
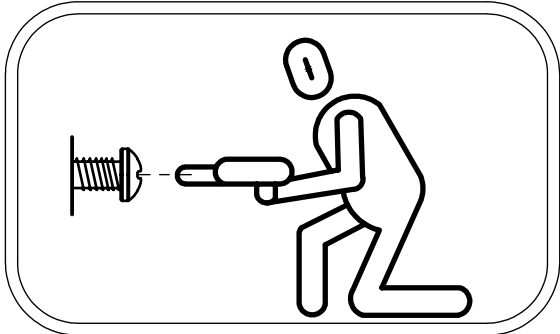
991168
x4



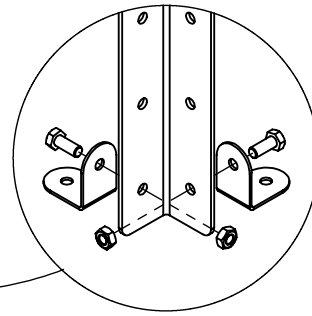
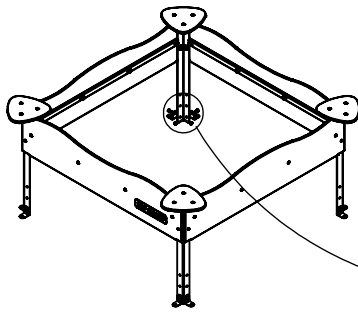
083145
x4



ST		HDPE		HPL	
4x	E77 (K2)	4x	CE14	4x	CL14
1x	V001	4x	CE15	4x	CL15
		4x	CE16	4x	CL16

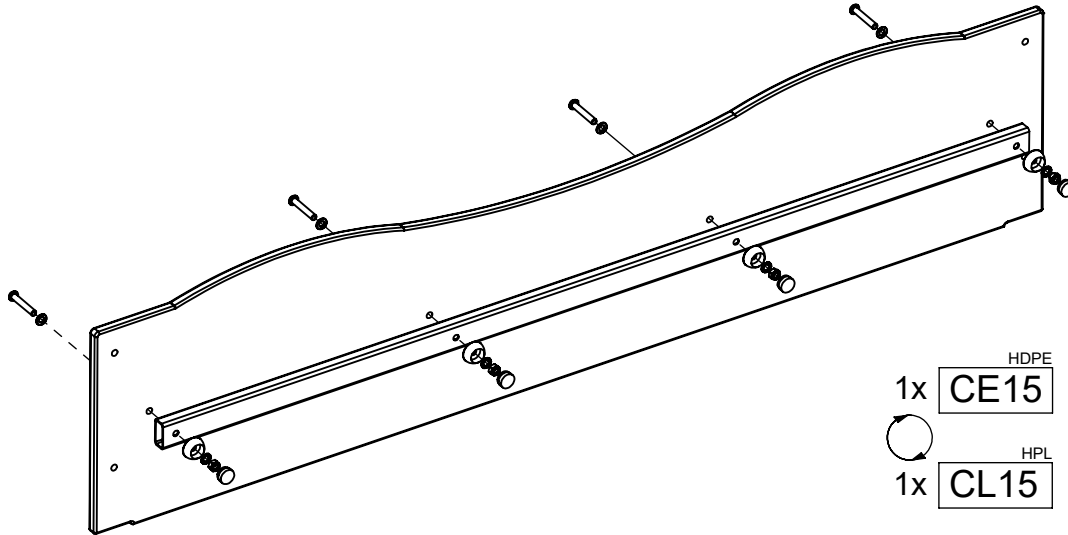


K2



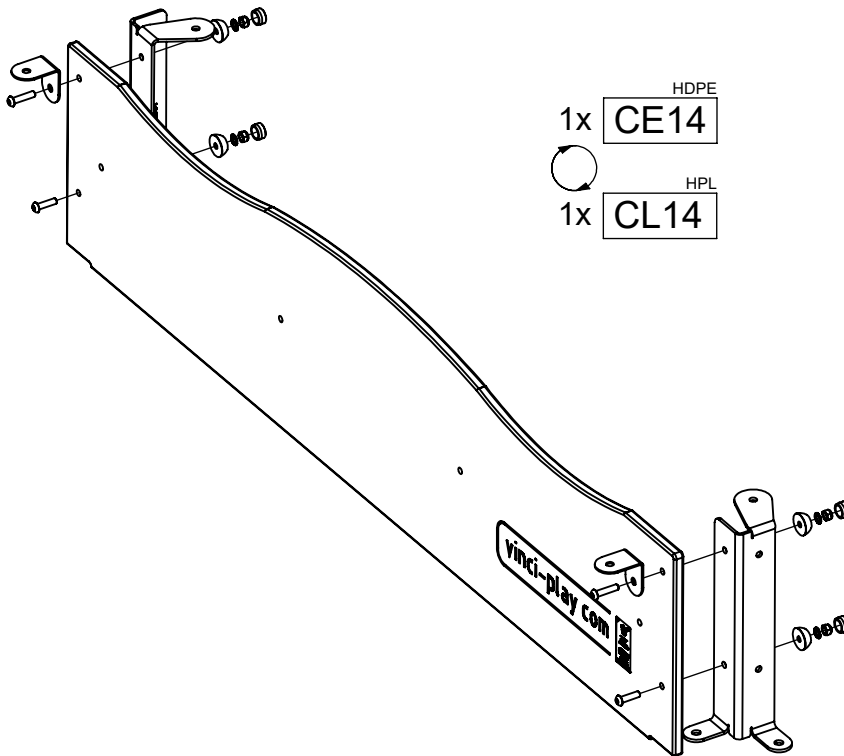
4x E77

x4



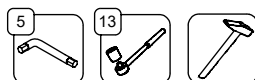
1x ^{HDPE} CE15
 1x ^{HPL} CL15

x4

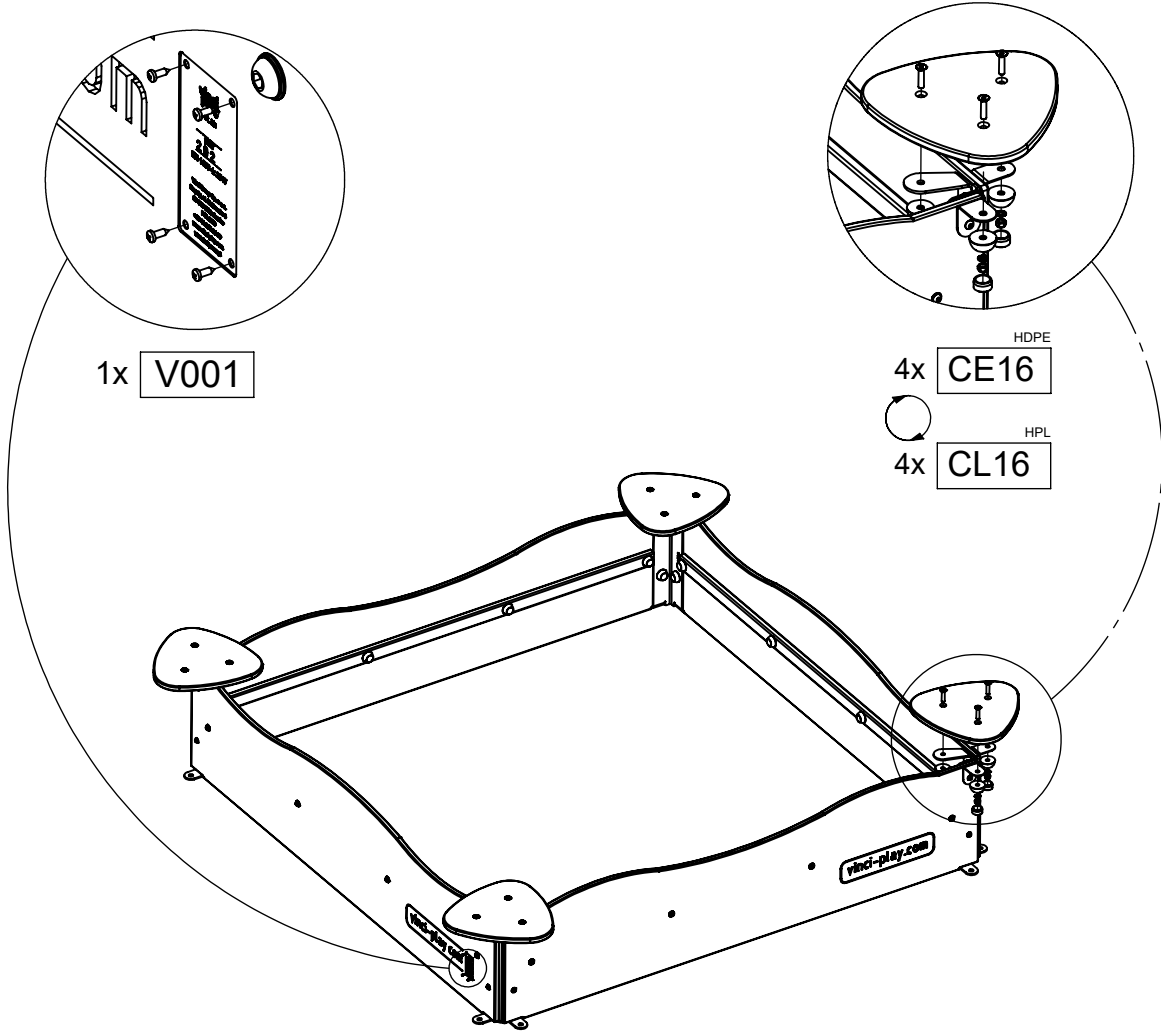


1x ^{HDPE} CE14
 1x ^{HPL} CL14

[cm]

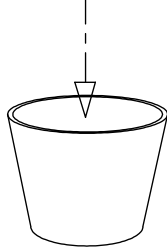


vinci play
 Vinci



Part No:
 000000-
 00000

000000-00000



[cm]

