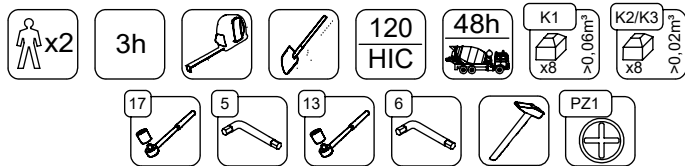
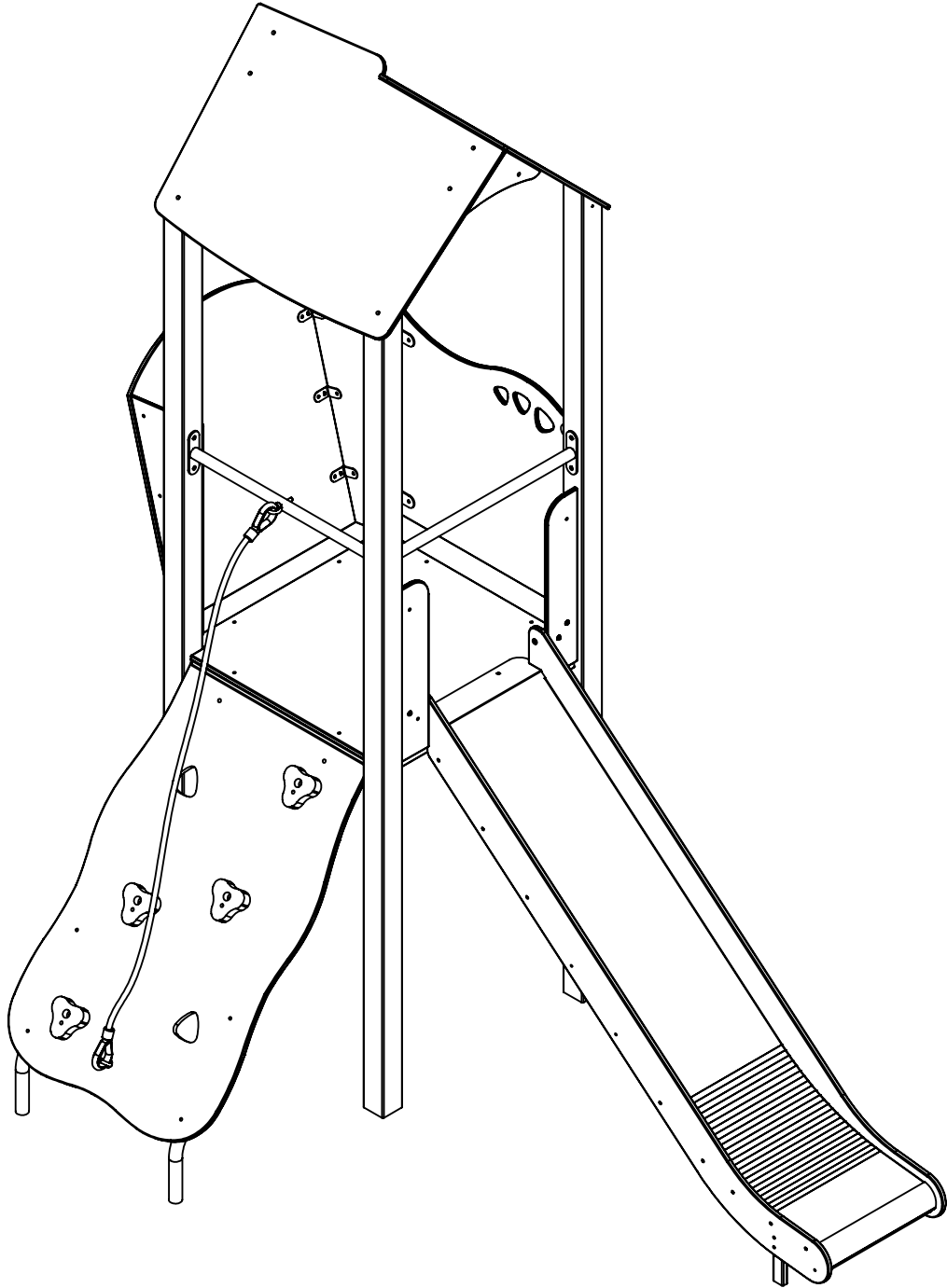
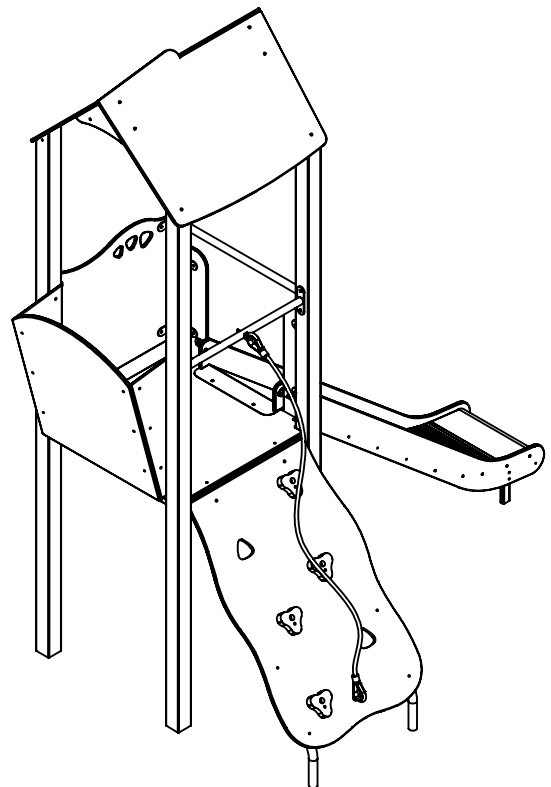
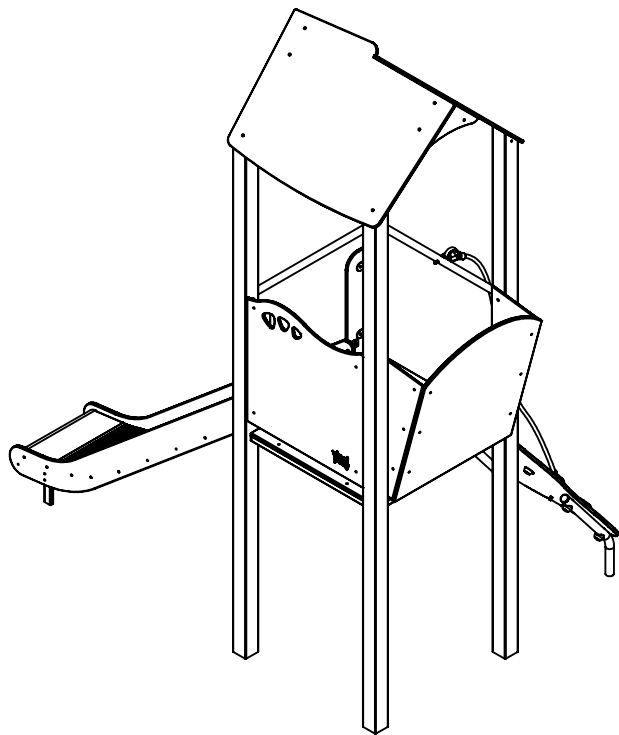
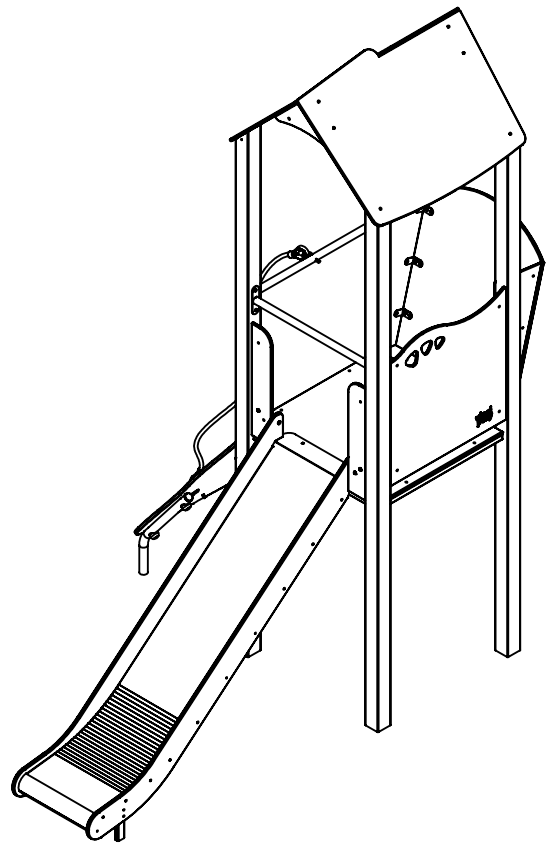
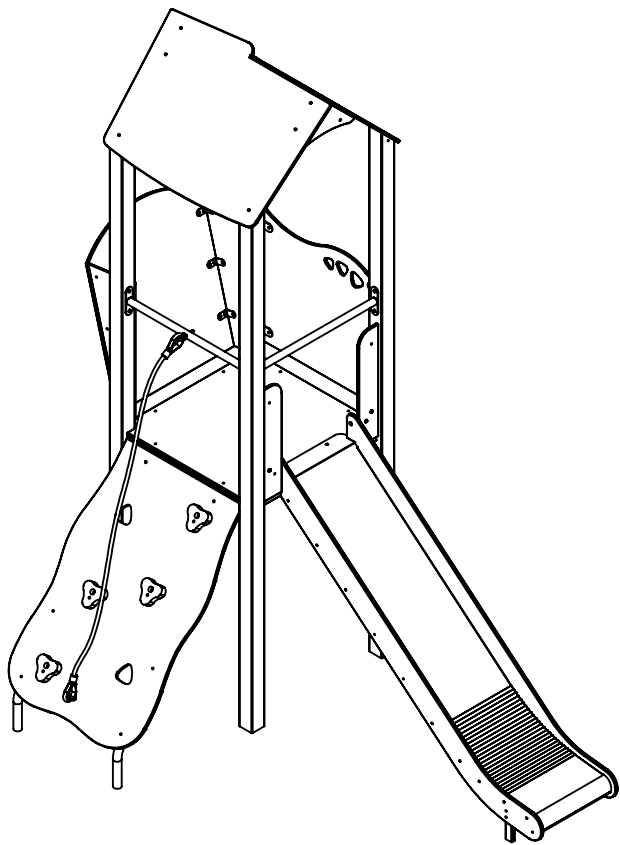


0201-1



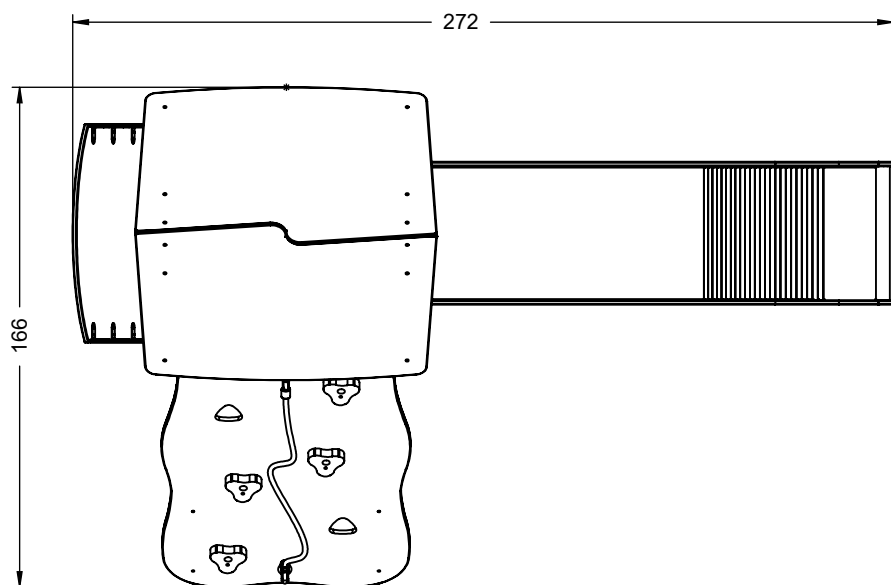
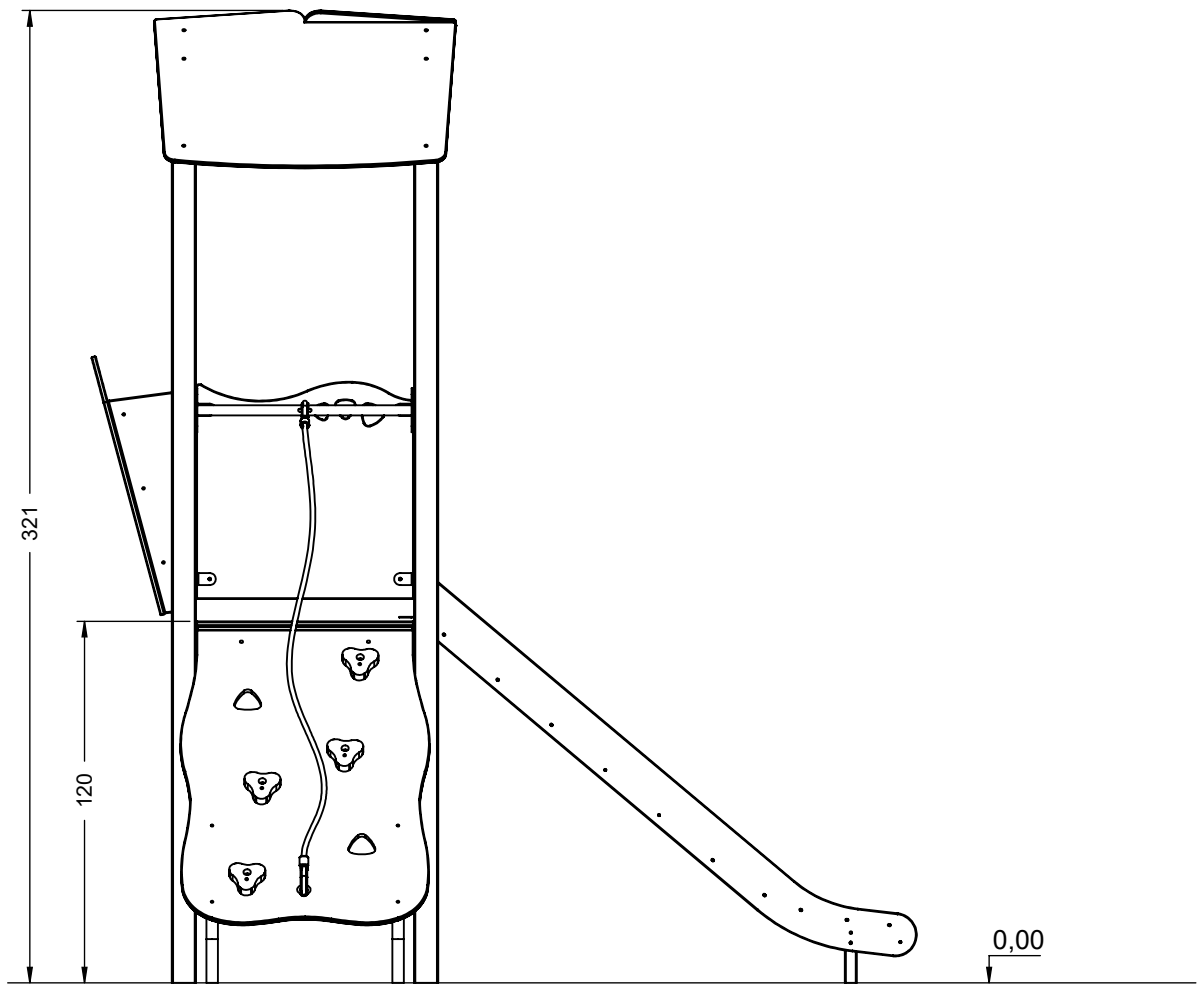
v016
23.08.2023
K. M.
[cm]

vinci
play



[cm]

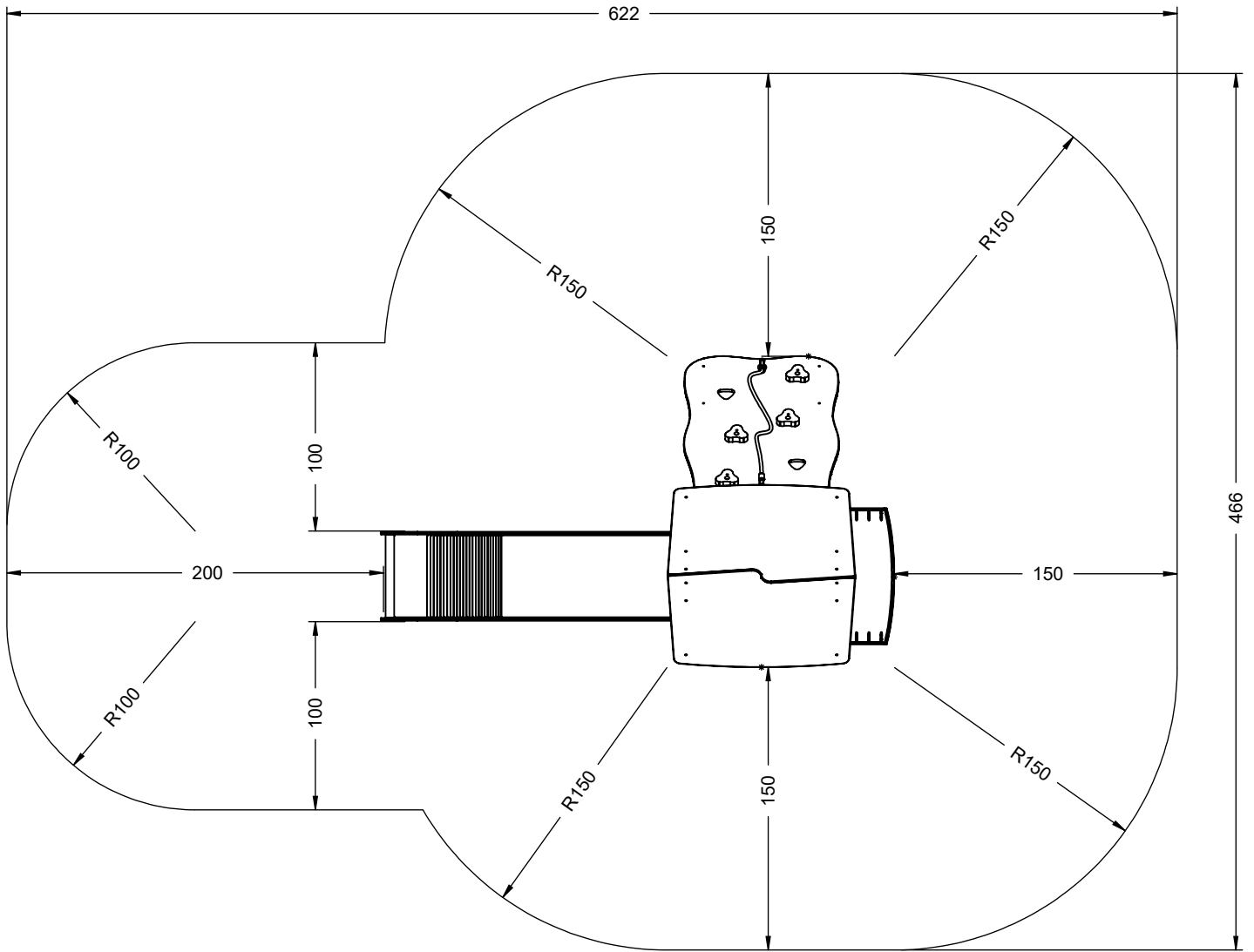
vinci
play



[cm]



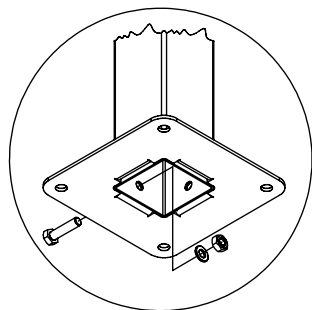
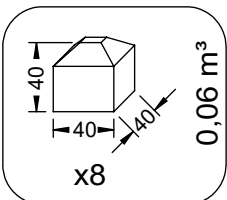
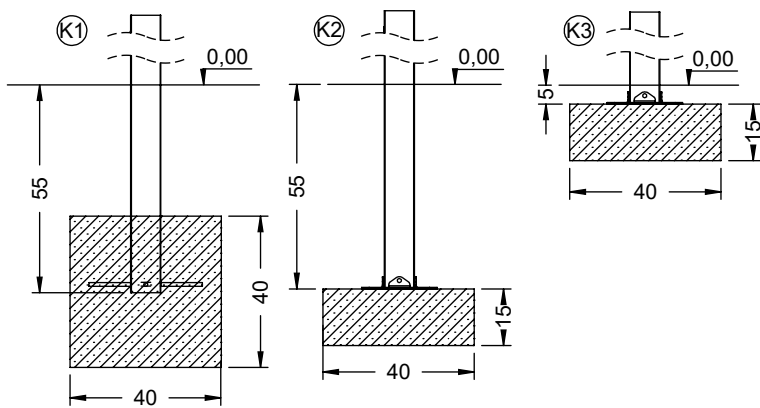
vinci
play



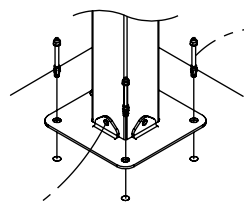
[cm]



vinci
play



E37



16x M10x120 (K2)
18x M10x120 (K3)



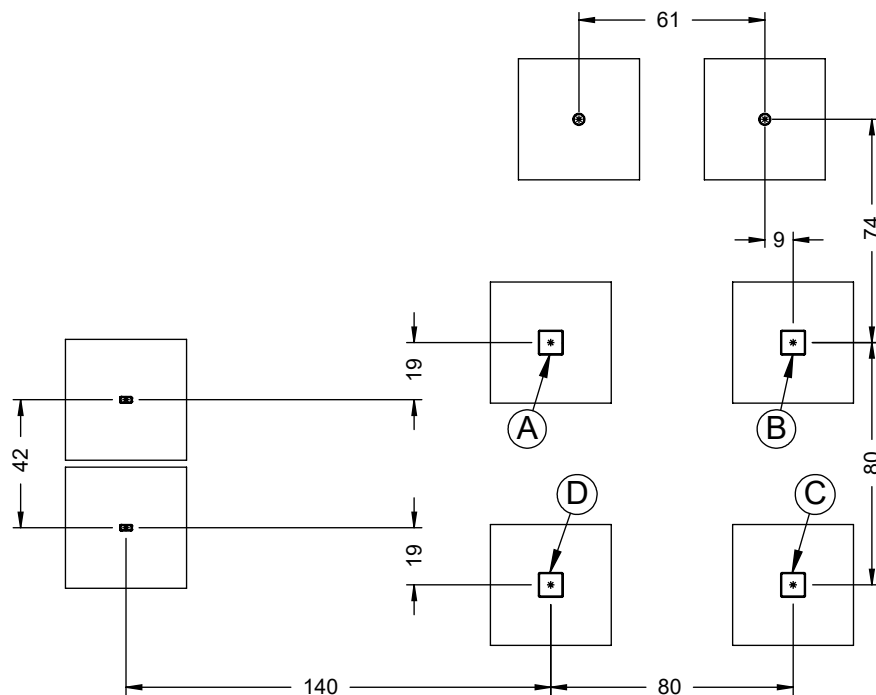
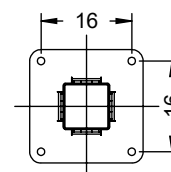
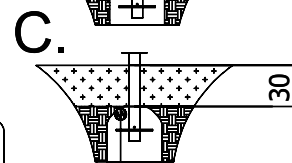
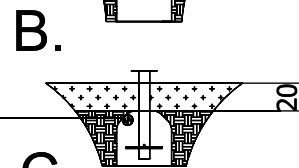
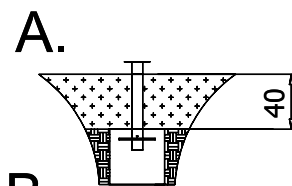
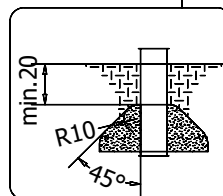
NOT INCLUDED



4x M8x120 (K2)
2x M8x120 (K3)



NOT INCLUDED



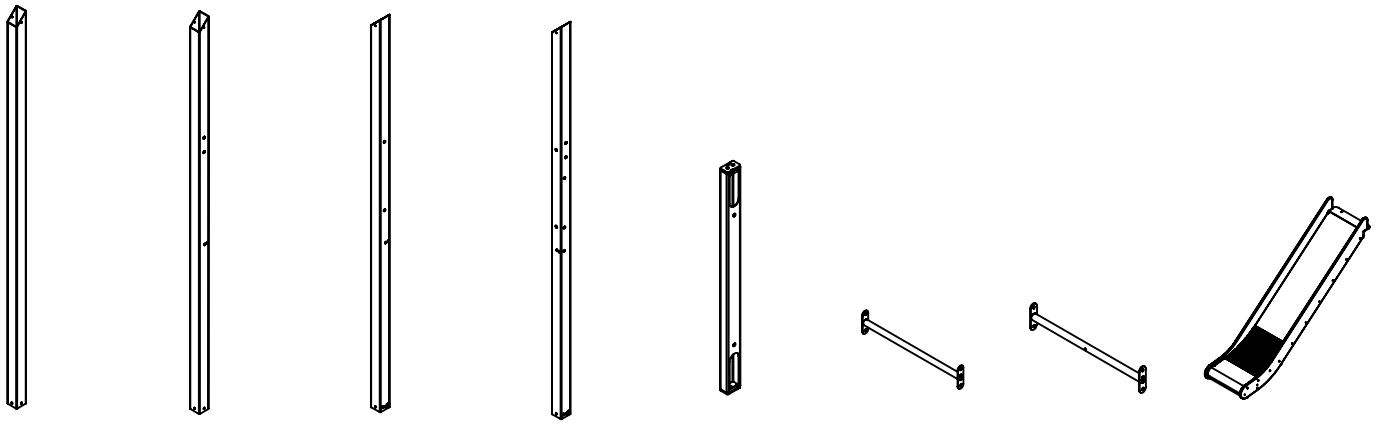
[cm]



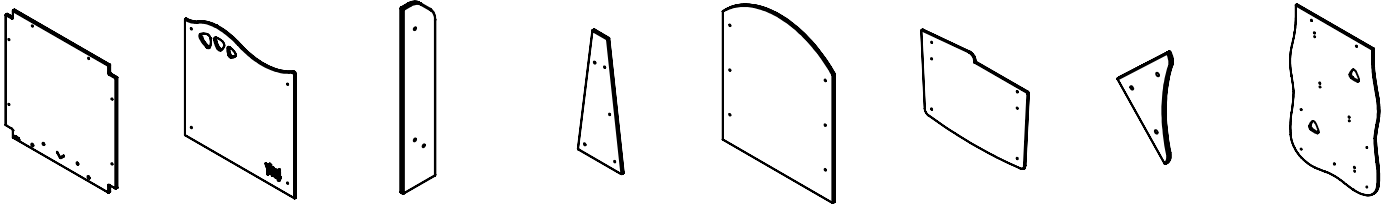
3h



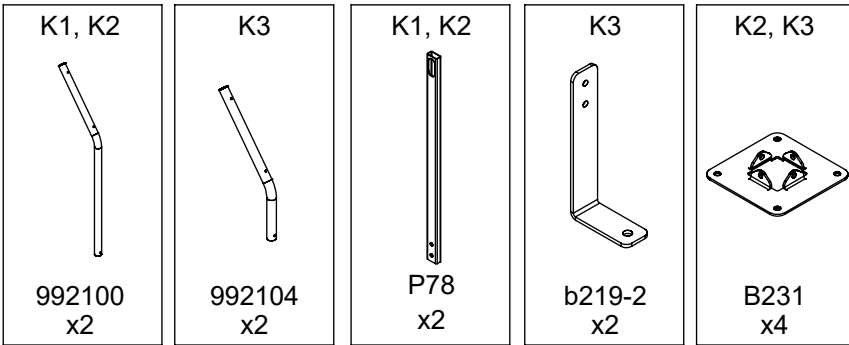
vinci
play



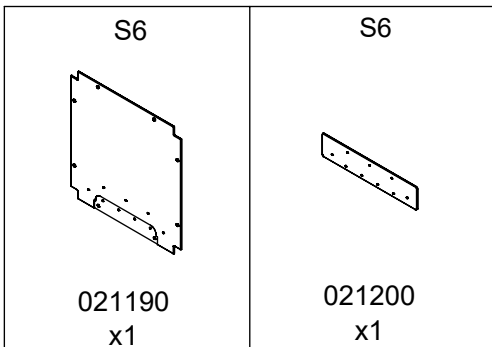
0201A x1 0201B x1 0201C x1 0201D x1 022100 x4 022102 x1 022103 x1 994104 x1



021102 x1 021100 x1 021152 x2 141137 x2 021116 x1 021133 x2 021134 x2 021135 x1

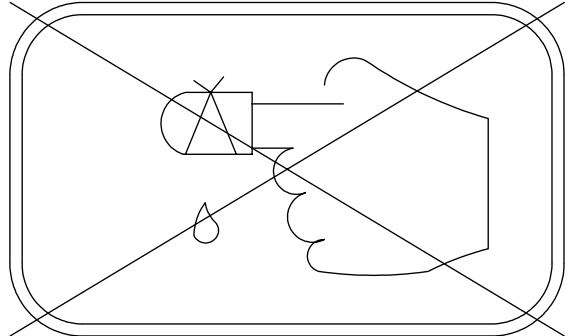
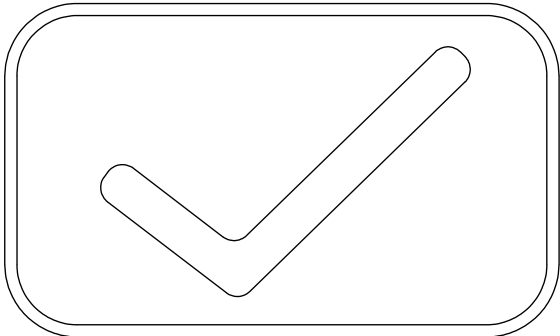
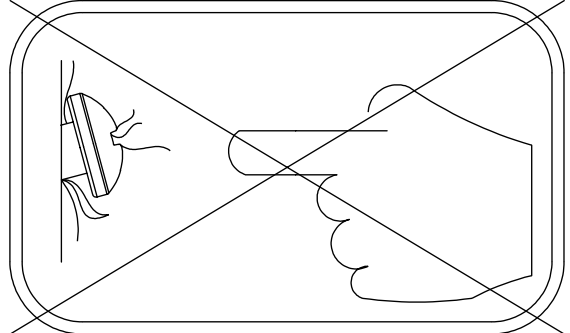
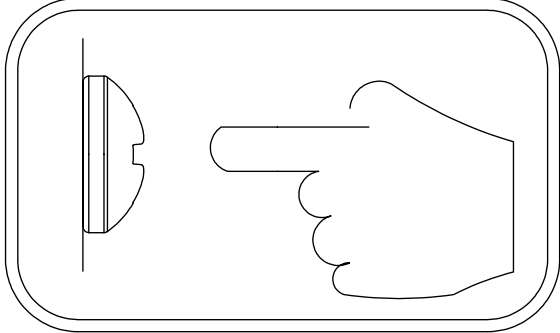
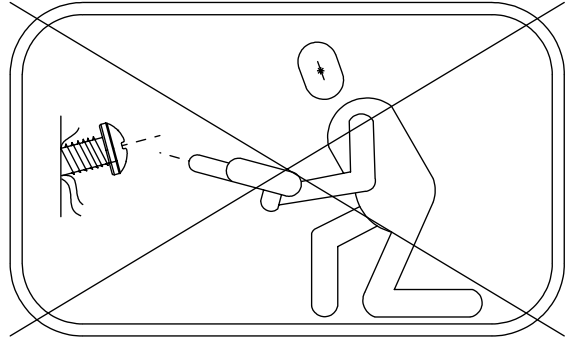
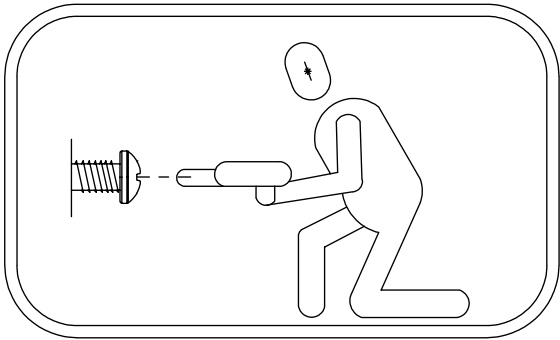


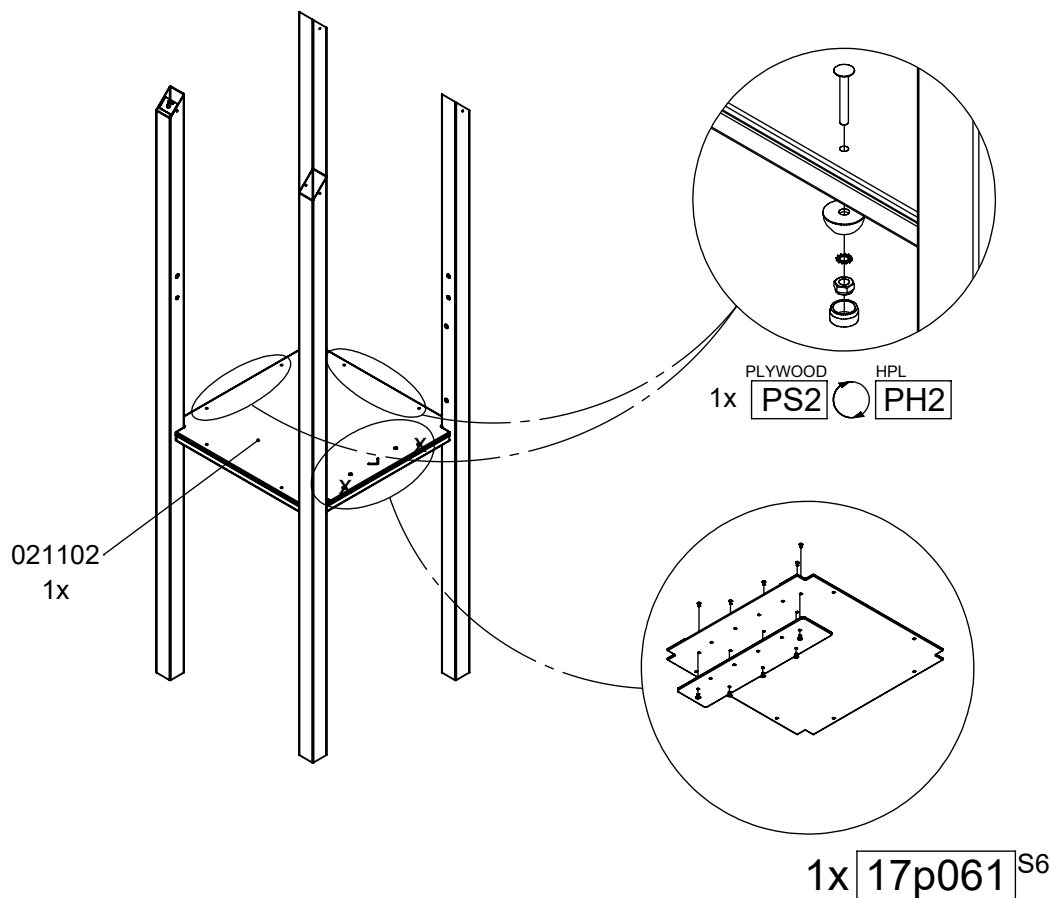
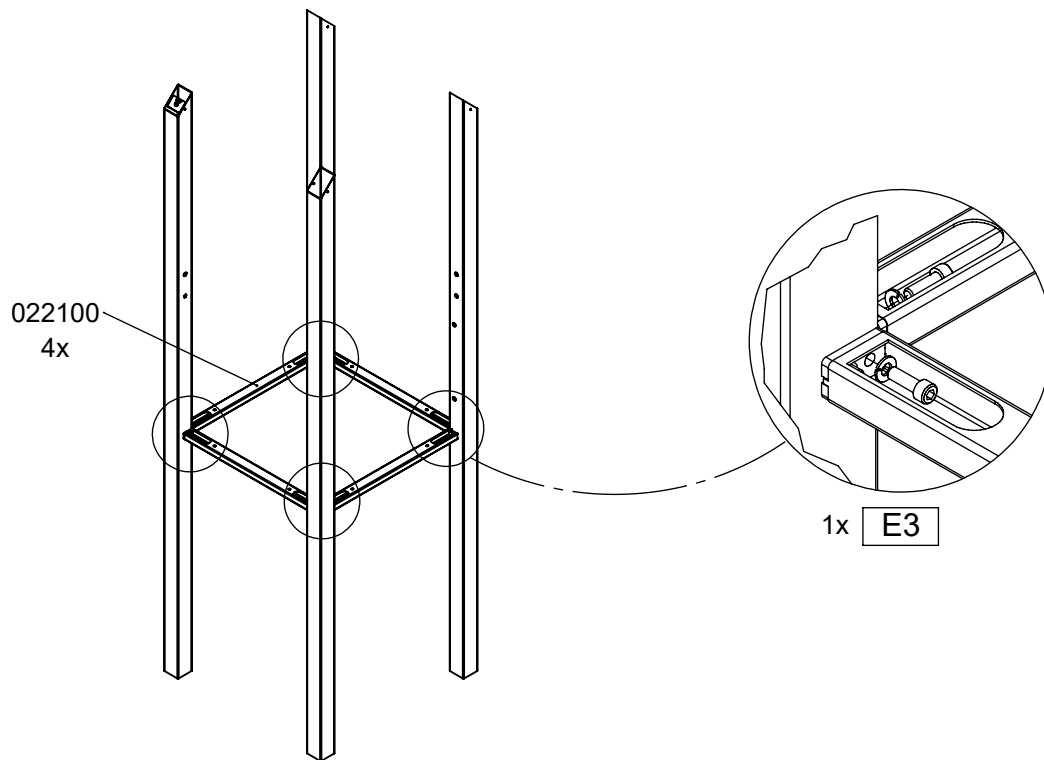
K1, K2 K3 K1, K2 K3 K2, K3
 992100 x2 992104 x2 P78 x2 b219-2 x2 B231 x4 025146 x1



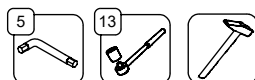
S6 S6
 021190 x1 021200 x1

ST/INOX		HDPE / PLYWOOD		HPL
2x	E1	2x	CE1	CL1
1x	E3	1x	CE2	CL2
1x	E34 (K1, K3)	1x	CE31	CL31
1x	E35 (K2)	1x	PS2	PH2
1x	E88 (K2, K3)	1x	PS21	PH21
1x	E78	1x	PS34	WD90
1x	V001	1x	CE111	E93
	E37 (K2, K3)	1x	PS92	E93
		1x	E8 (S1)	E9 (S1)
		1x	E152 (S6)	E153 (S6)
		1x		17p061 (S6)

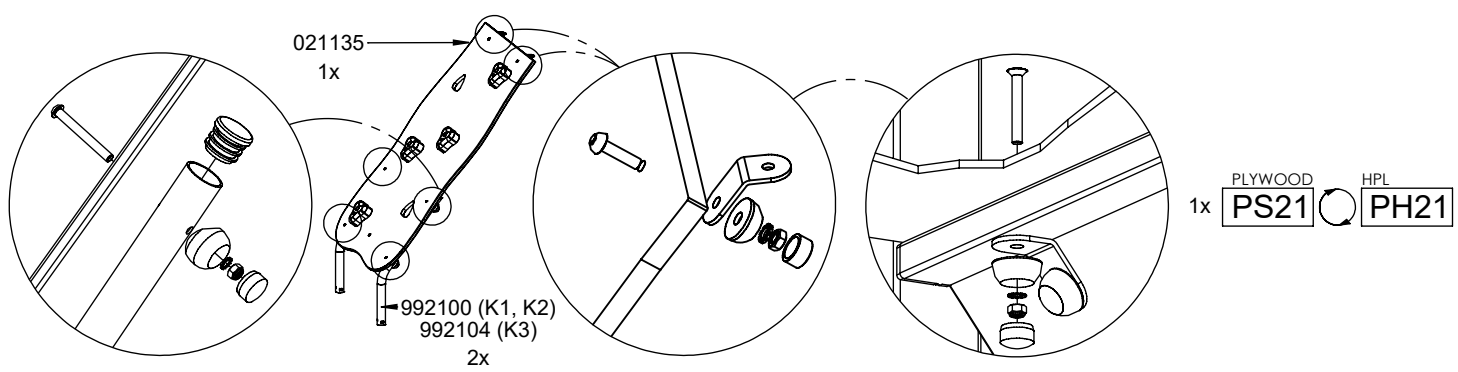
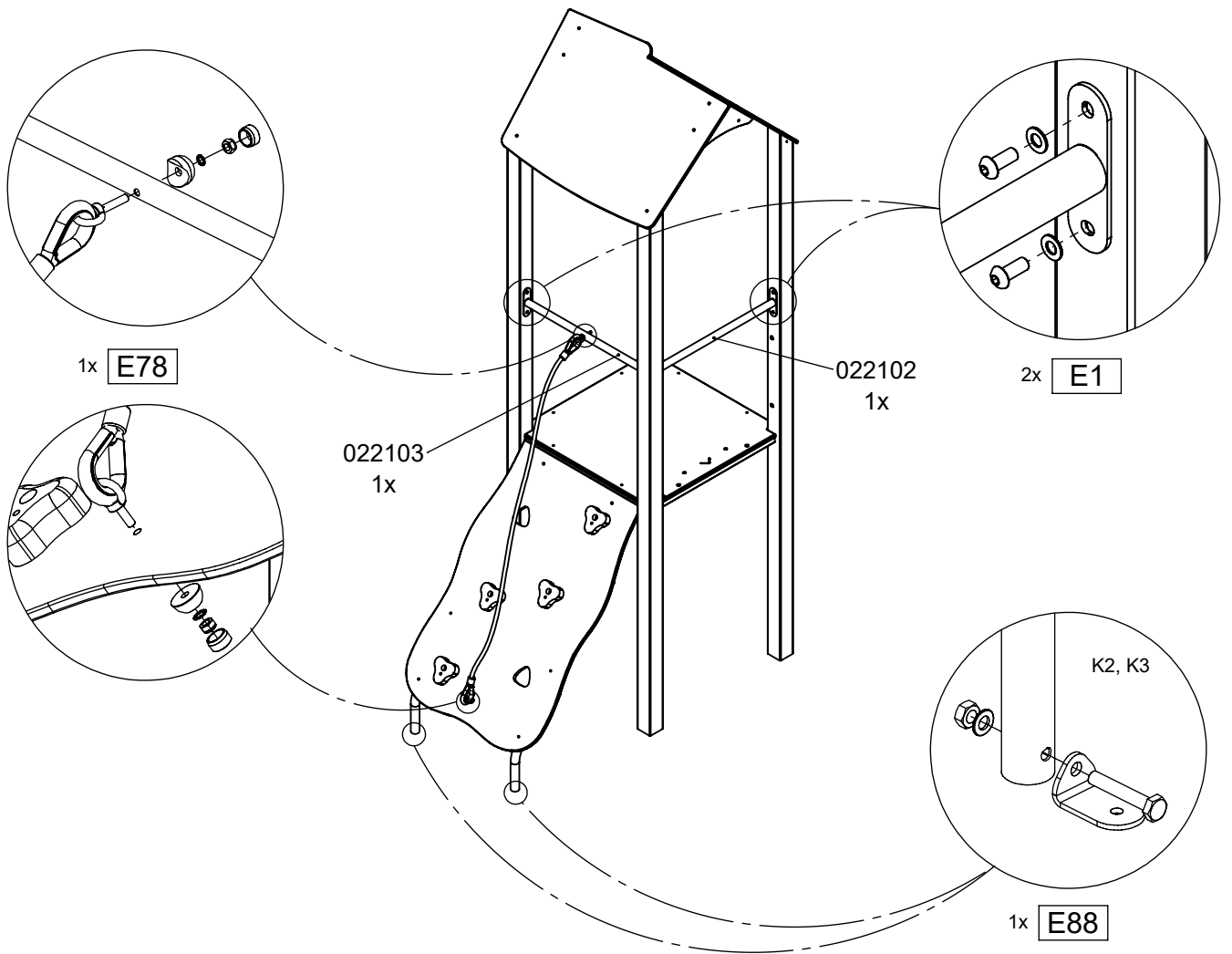
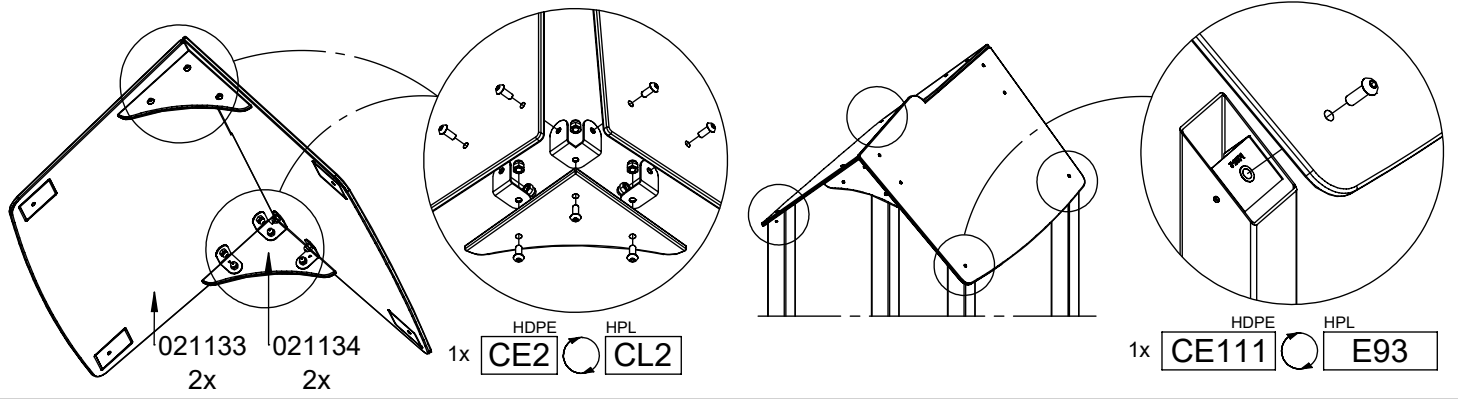




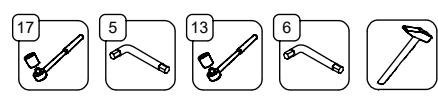
[cm]



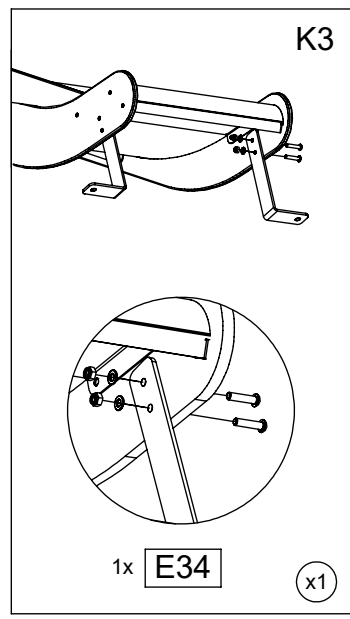
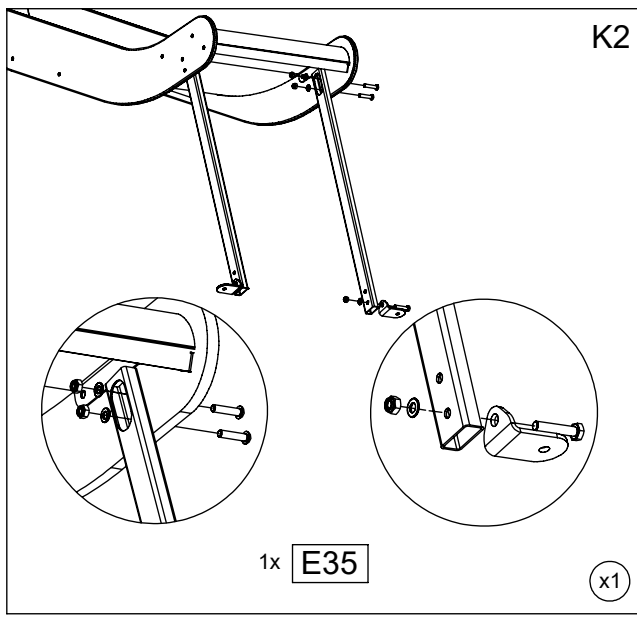
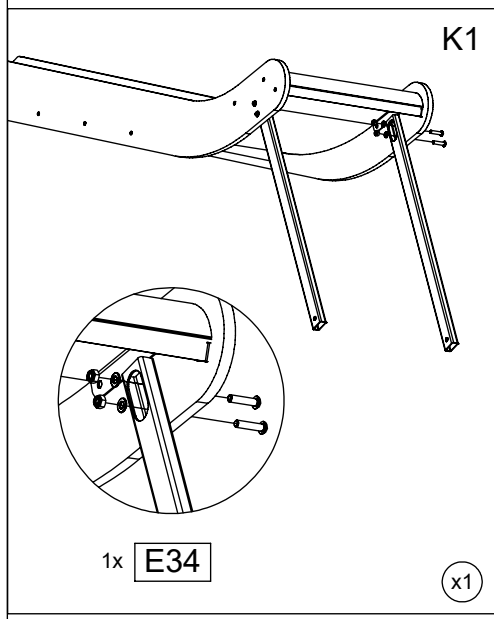
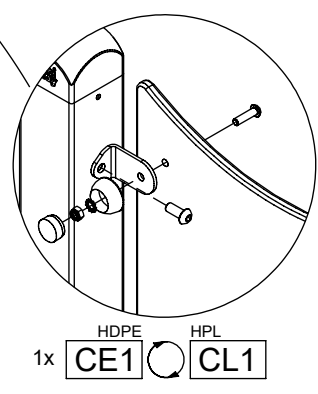
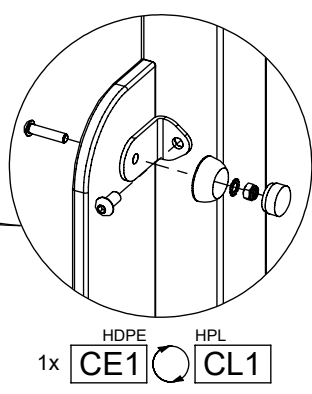
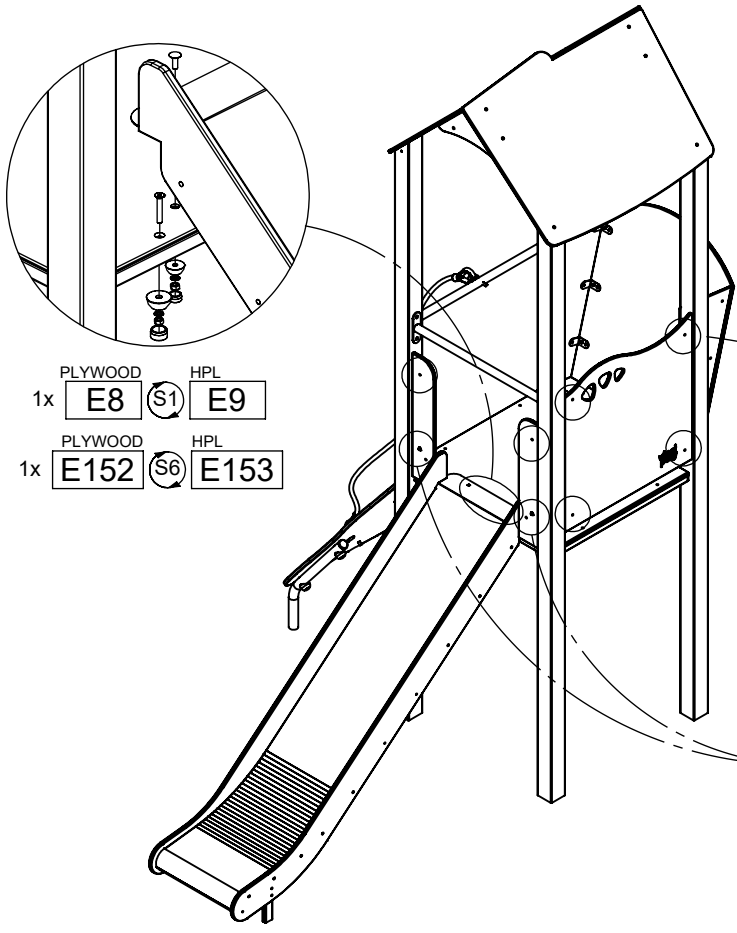
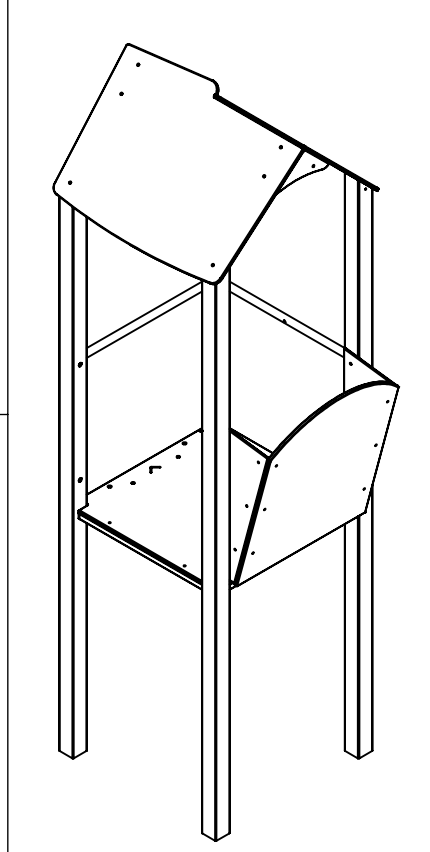
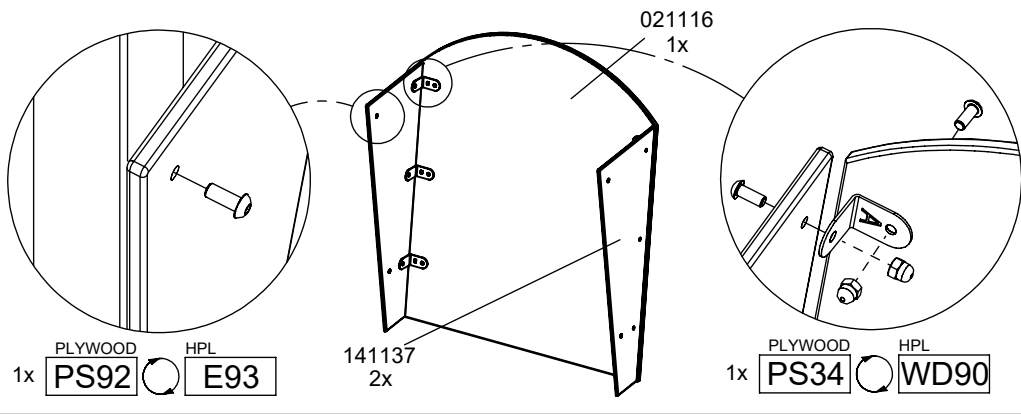
vinci
play



[cm]



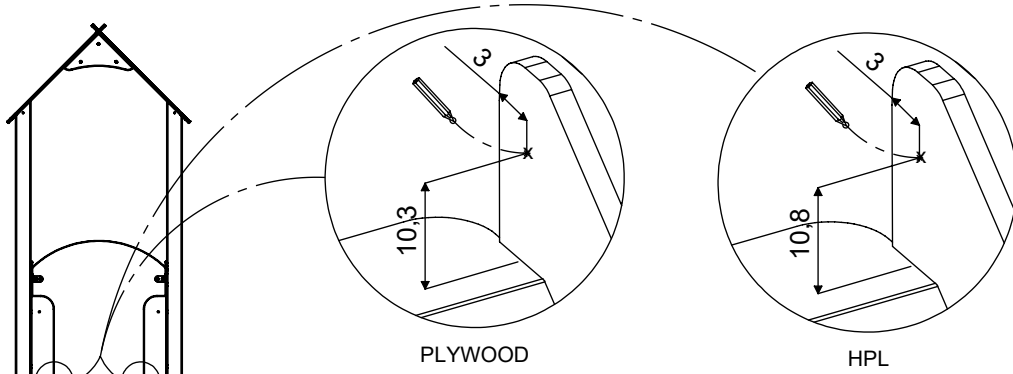
vinci
play



[cm]

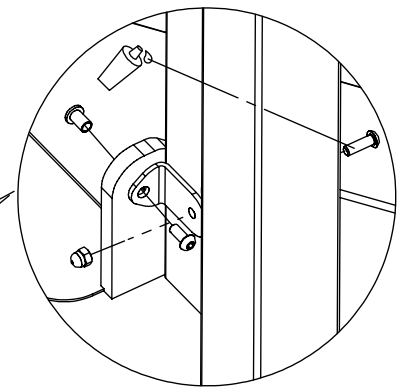
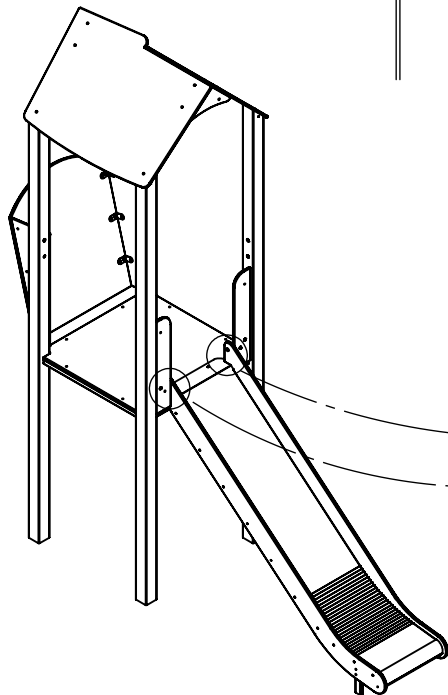
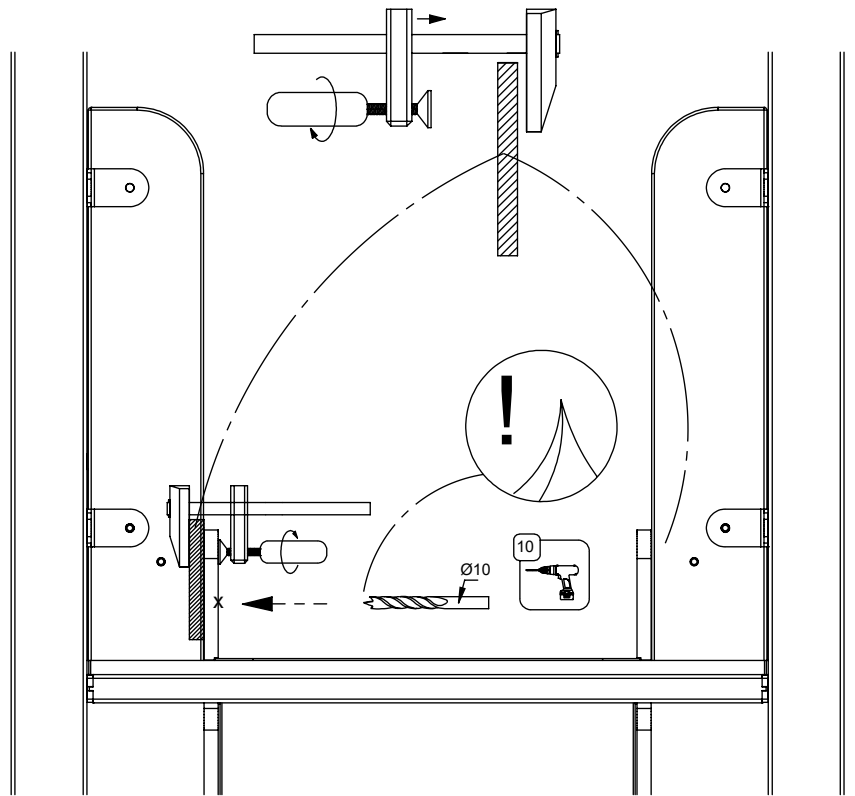


vinci
play



PLYWOOD

HPL



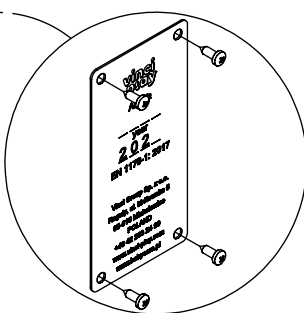
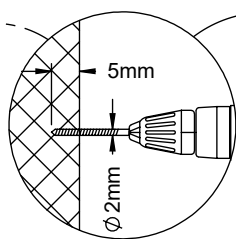
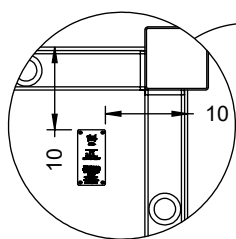
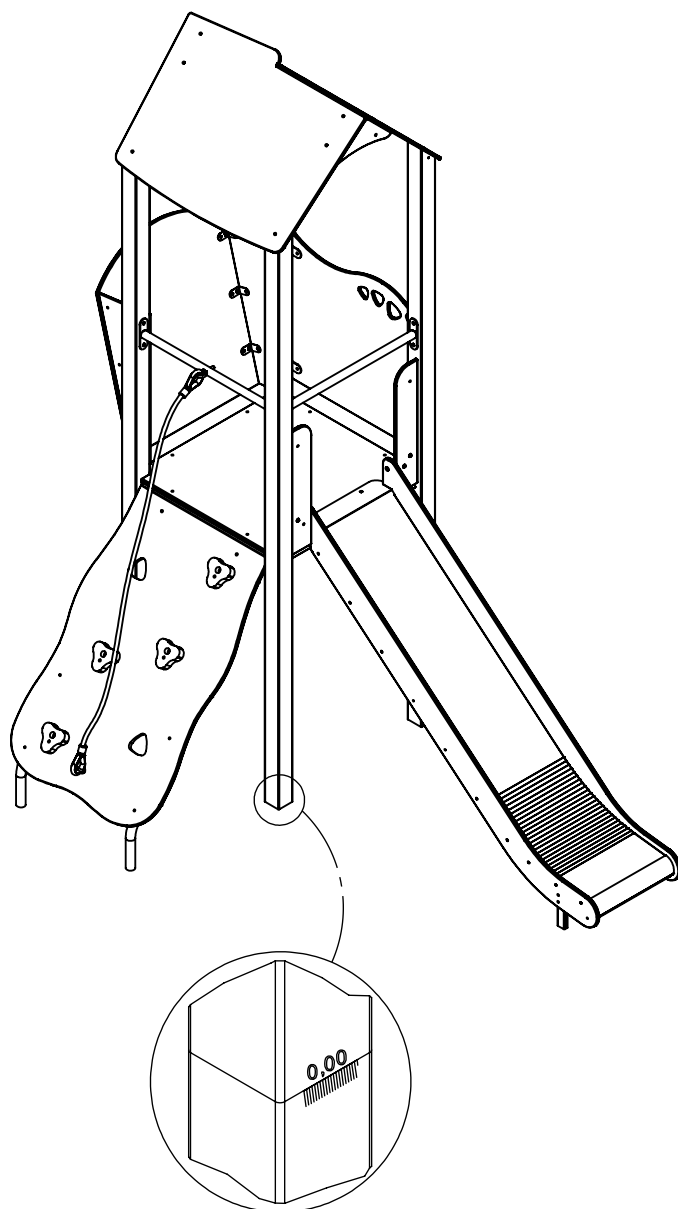
1x

HDPE	HPL
CE31	CL31

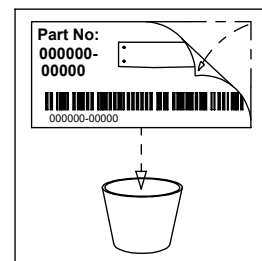
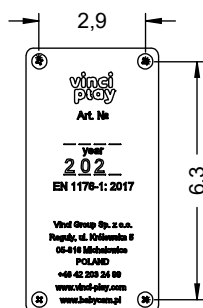


[cm]

vinci
play



V001



[cm]



vinci
play