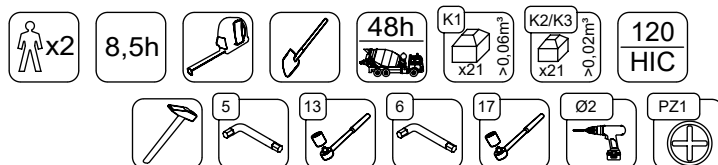
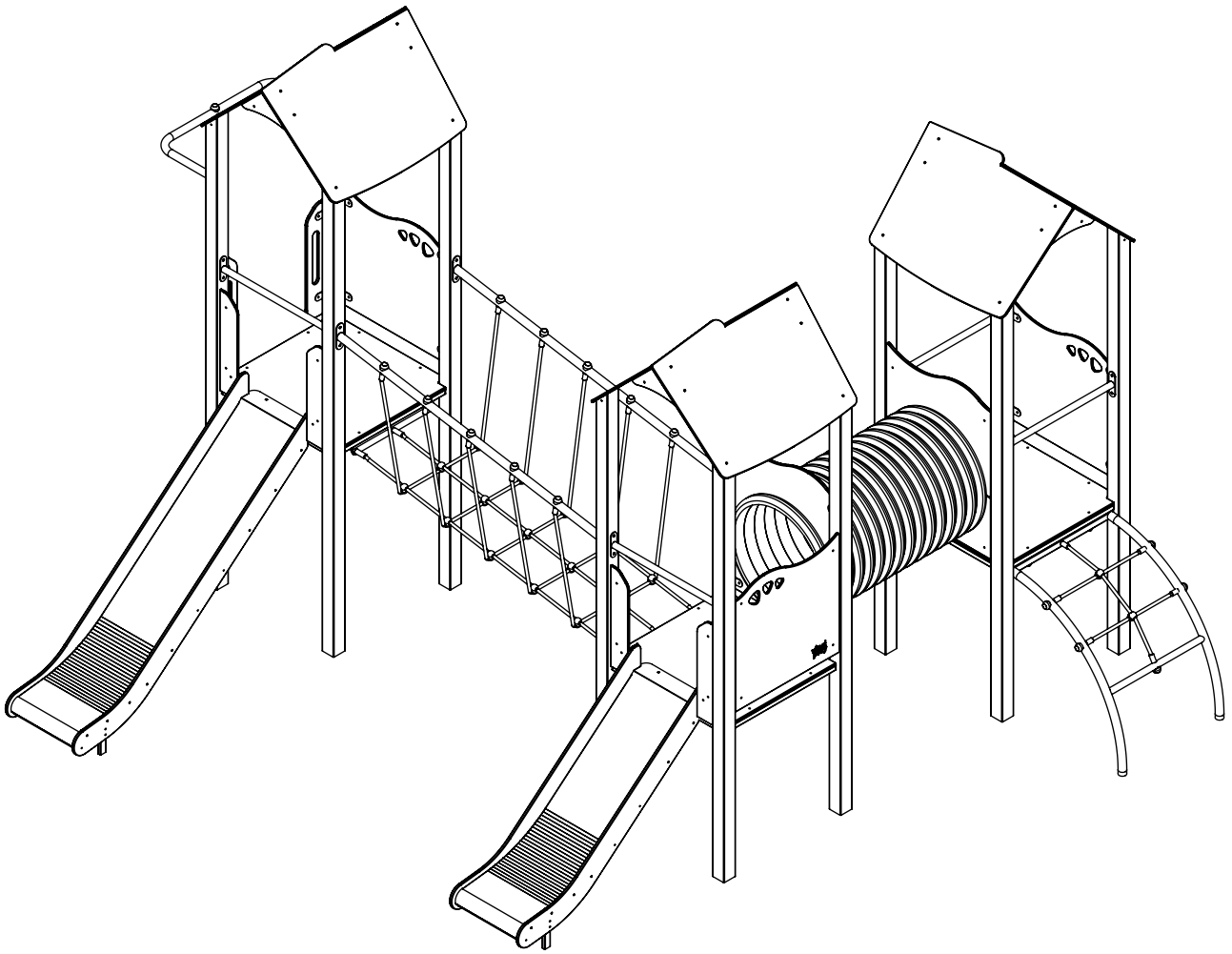
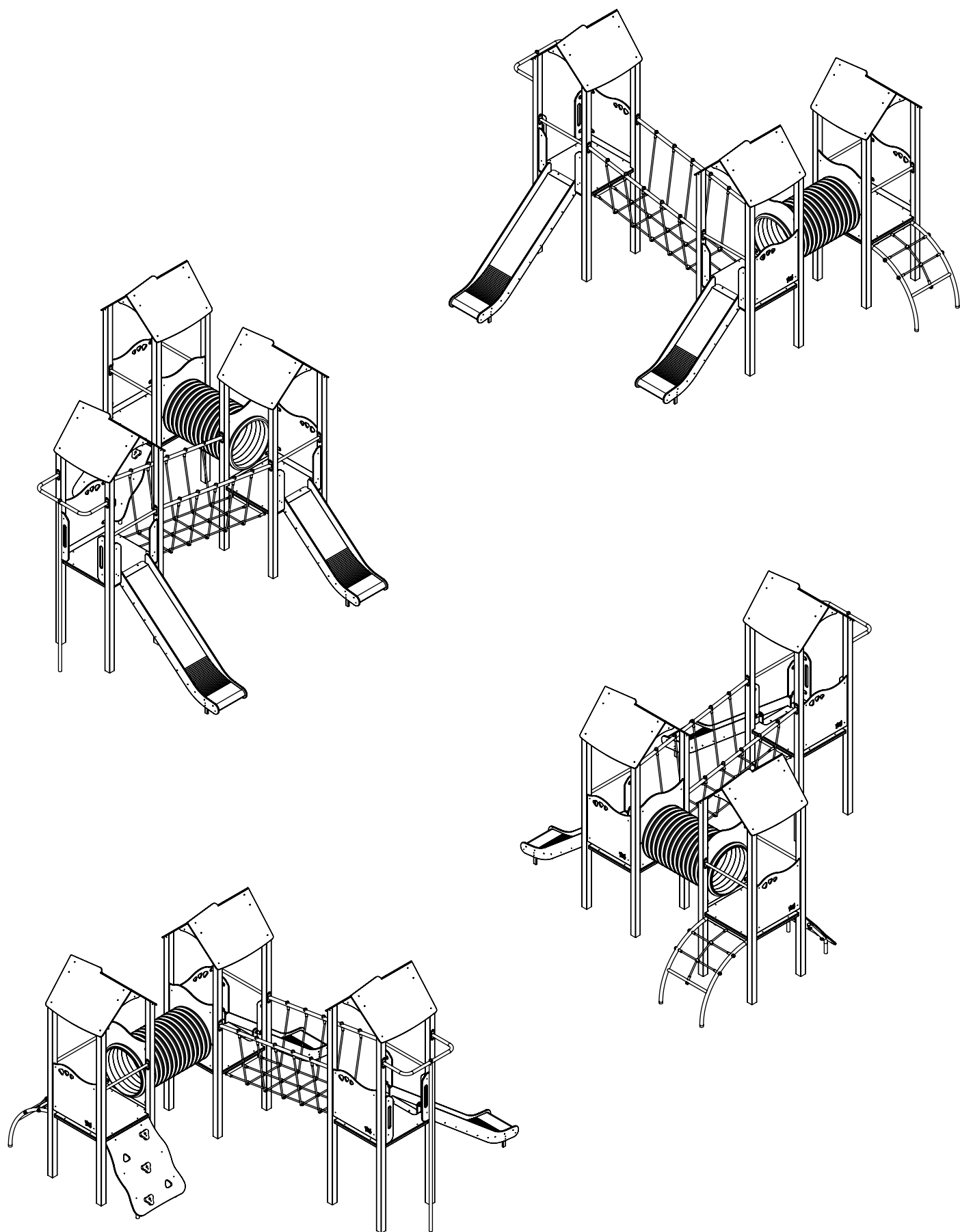


0207



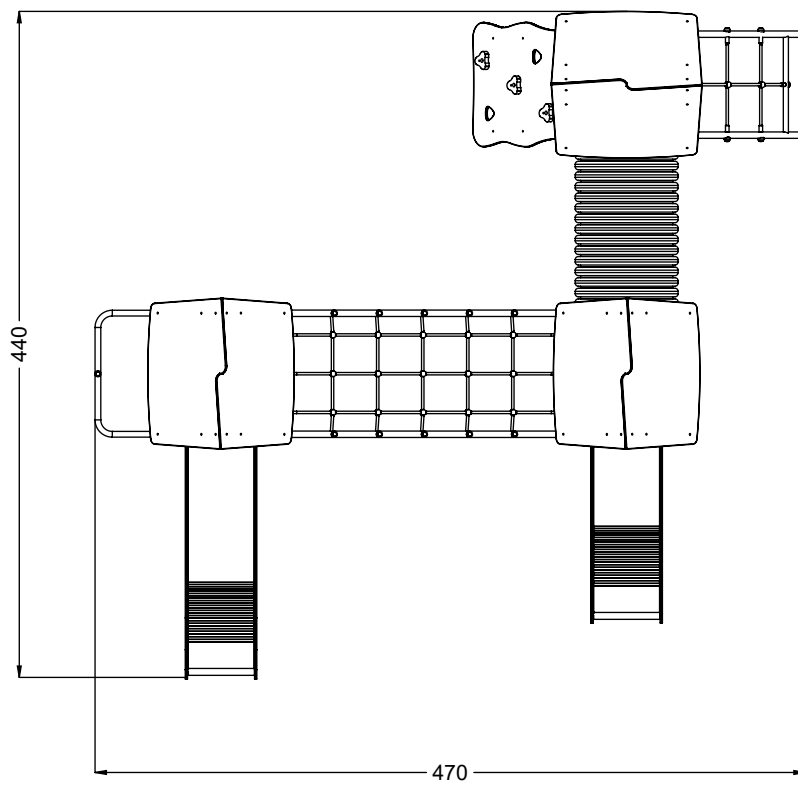
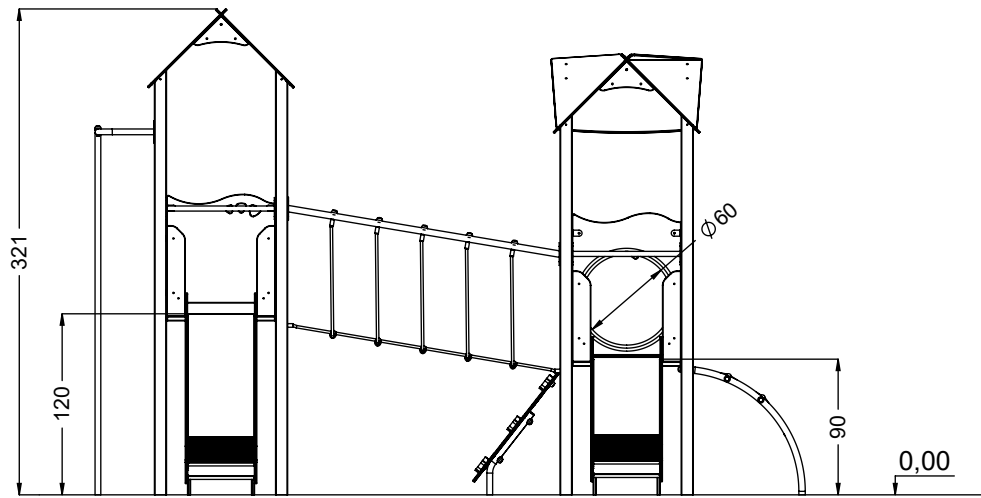
v016
28.12.2023
B.N.
[cm]

vinci
play



[cm]

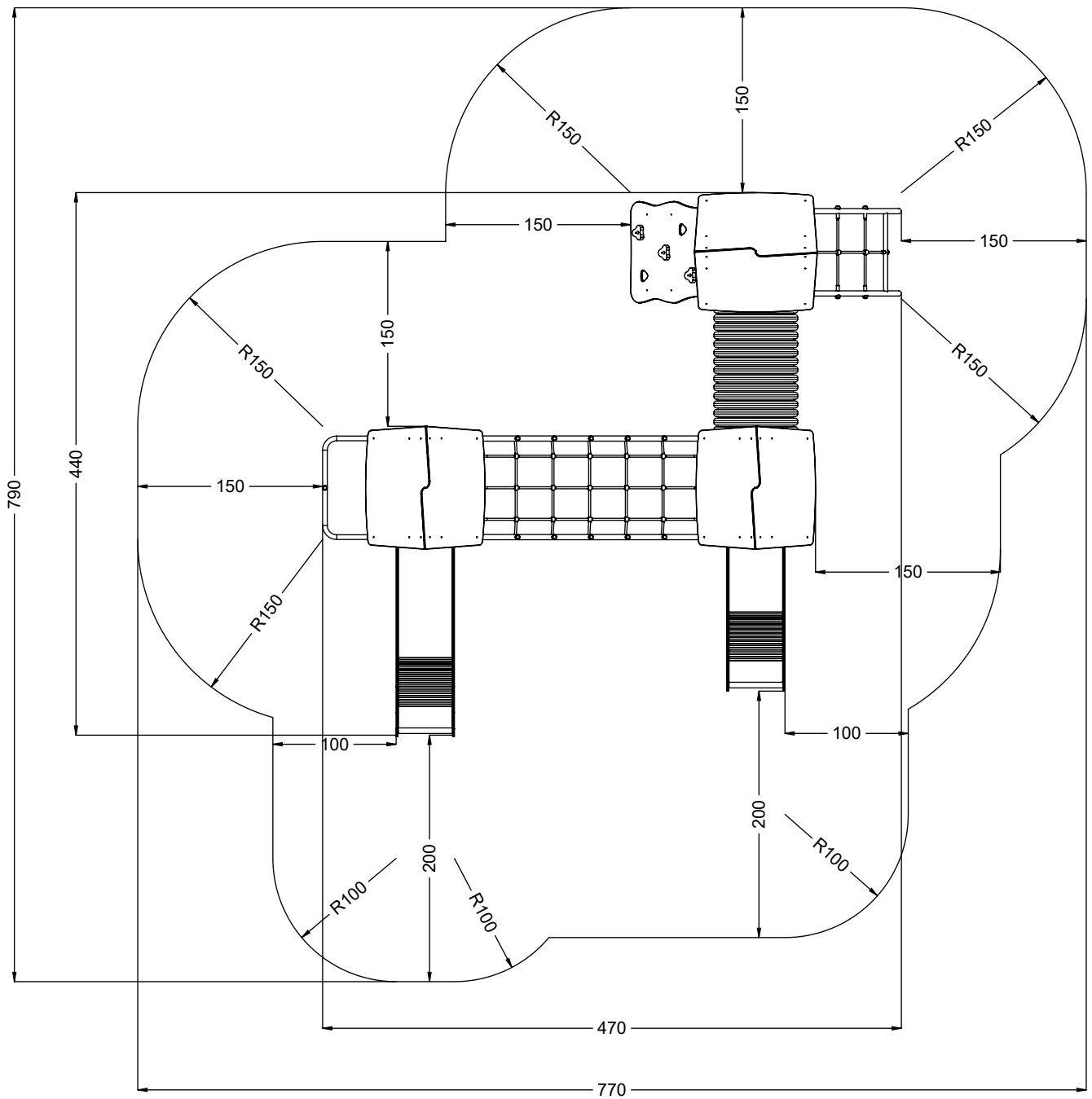
vinci
play



[cm]



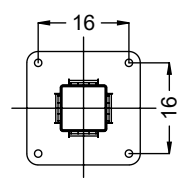
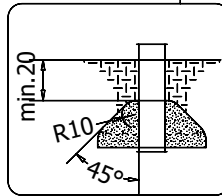
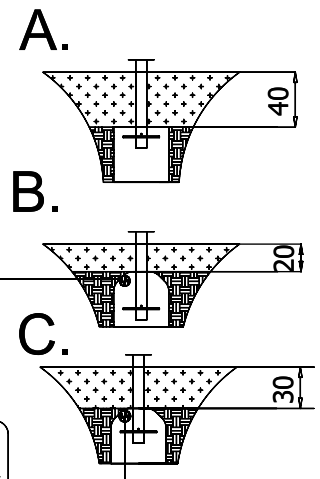
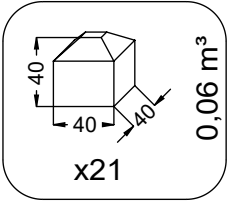
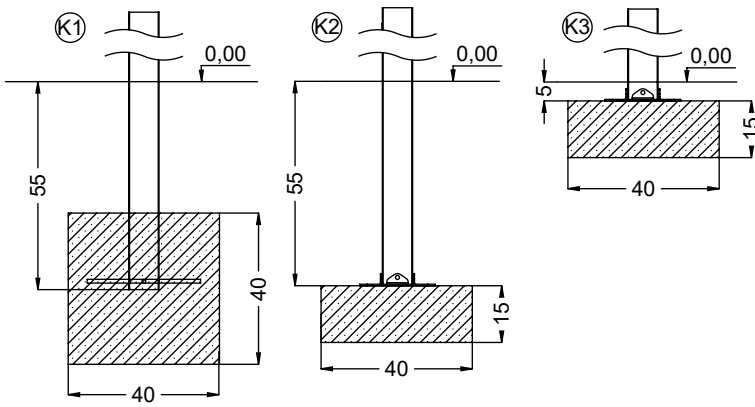
vinci
play



[cm]



vinci
play

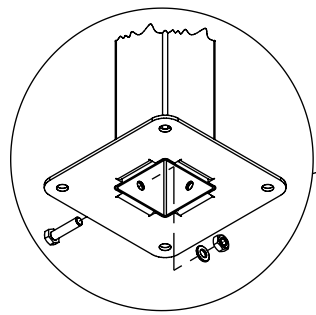


48x M10x120 (K2)
52x M10x120 (K3)

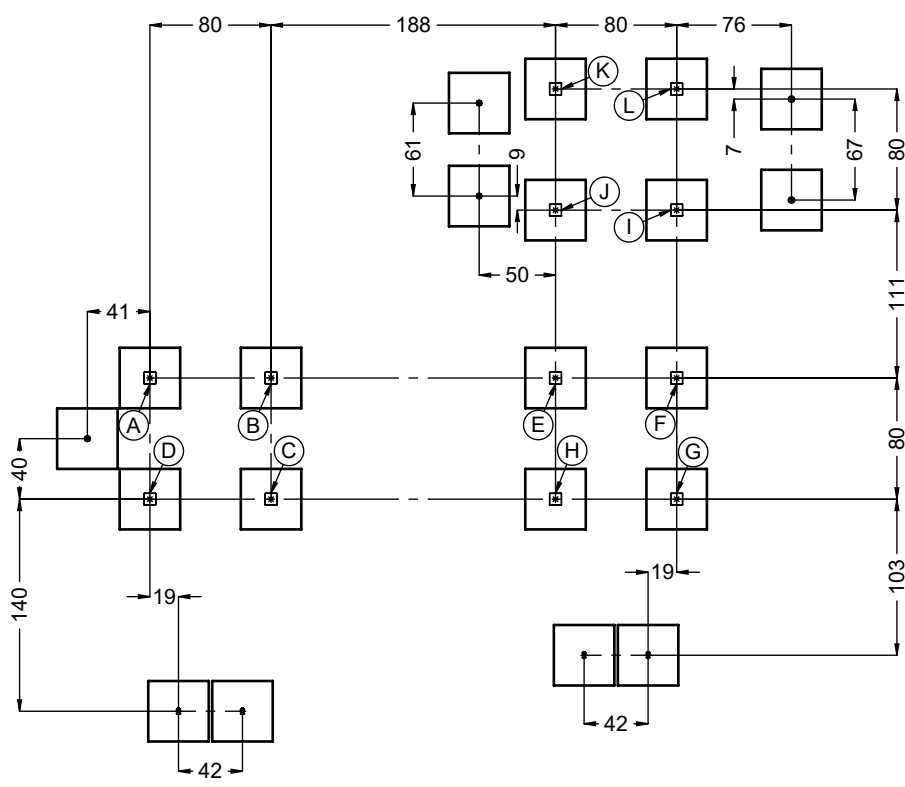
NOT INCLUDED

10x M8x120 (K2)
6x M8x120 (K3)

NOT INCLUDED



E37

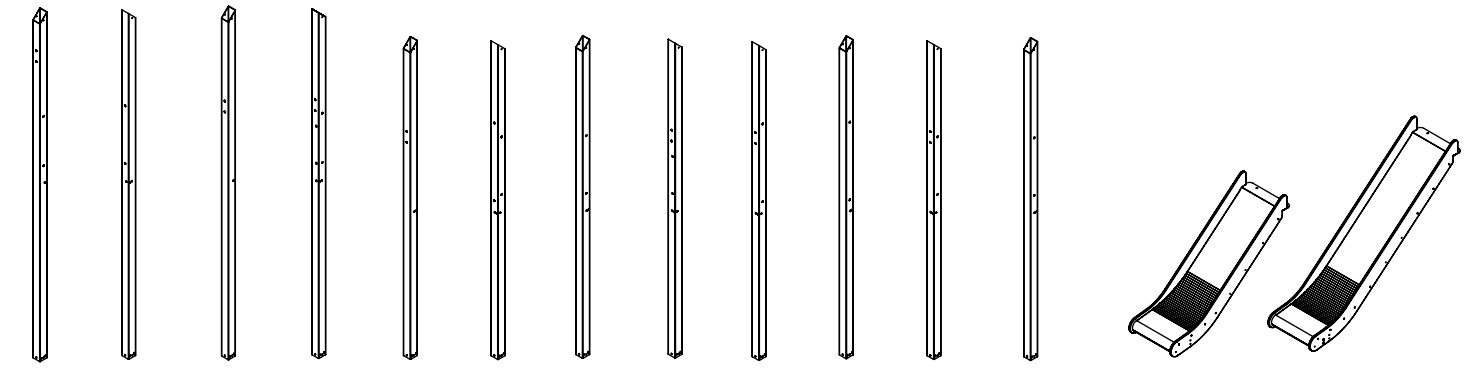


[cm]

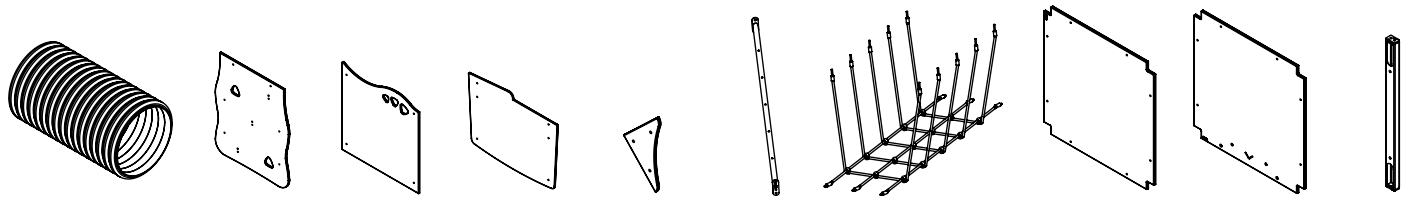
x2
 8,5h

 48h
 K1 x21 >0,06m³
 K2/K3 x21 >0,02m³

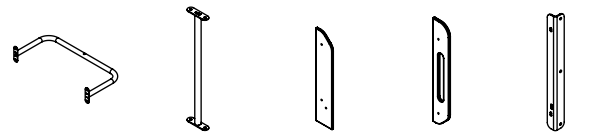
vinci play



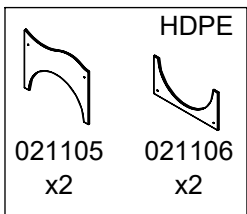
207A x1 207B x1 207C x1 207D x1 207E x1 207F x1 207G x1 207H x1 207I x1 207J x1 207K x1 207L x1 994103 x1 994104 x1



996104 x1 021112 x1 021100 x3 021133 x6 021134 x6 022140 x2 025103 x1 021101 x1 021102 x2 022100 x12



022150 x1 022102 x4 021152 x4 021129 x2 b144 x2



021105 x2 021106 x2



021185 x2 021186 x2 021187 x4

K1, K2

P78 x4

K3

b219-2 x4

K1, K2

992100 x2

K3

992104 x2

K2, K3

B231 x12

K1, K2

992120 x1

K3

992121 x1

025106 x1

ST/INOX		PLYWOOD / HDPE		HPL	
2x	E34 (K1, K3)	2 x	E8 (S1)	2 x	E9 (S1)
2x	E35 (K2)	2 x	E152 (S6)	2 x	E153 (S6)
2x	E88 (K2, K3)	1 x	PS31	1 x	PH31
1x	E38 (K2, K3)	3x	CE2	3x	CL2
	E37 (K2, K3)	1x	E4	1x	E5
1x	E28	5x	CE1	5x	CL1
7x	E1	3x	CE4	3x	CL4
1x	E51	3x	PS2	3x	PH2
3x	E3	2 x	CE31	2 x	CL31
1x	E39	1x	PS21	1x	PH21
1x	E238	3x	CE111	3x	E93
1x	V001			2x	E130
				2x	17p061(S6)

K1, K2

022105 x1

K3

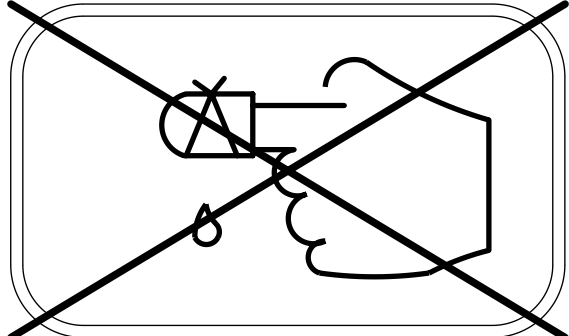
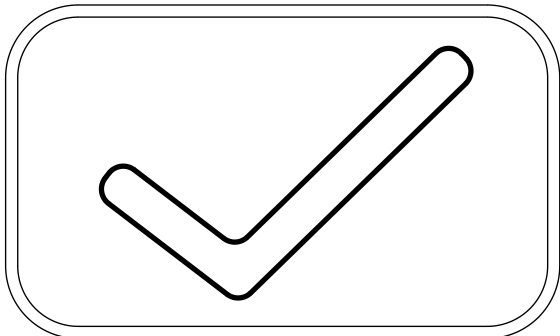
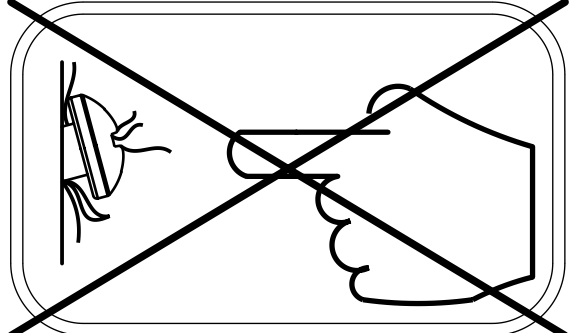
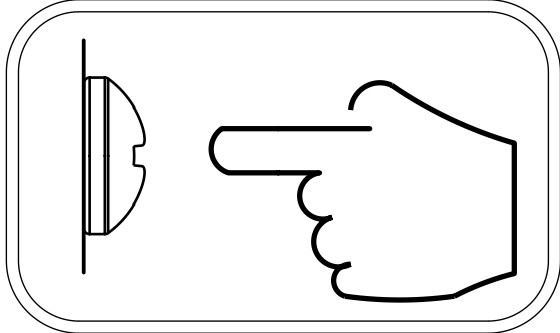
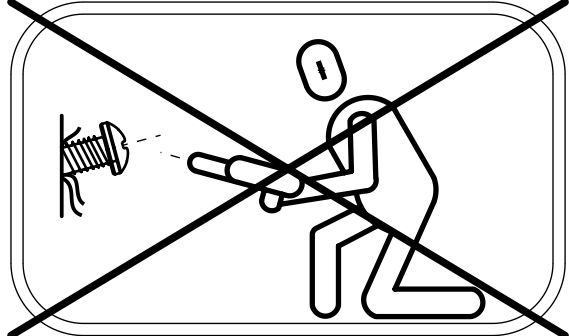
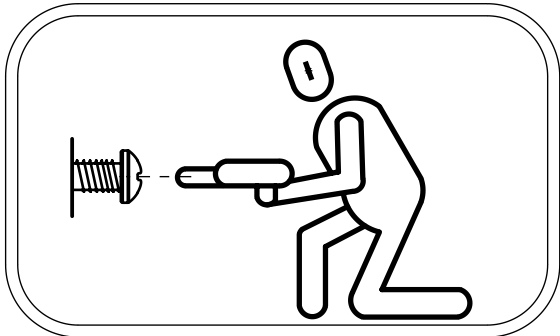
022119 x1

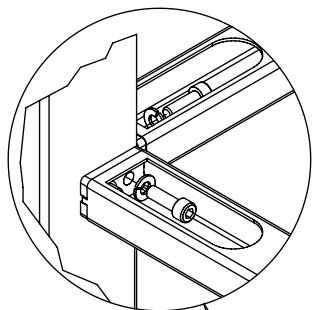
S6

021190 x2

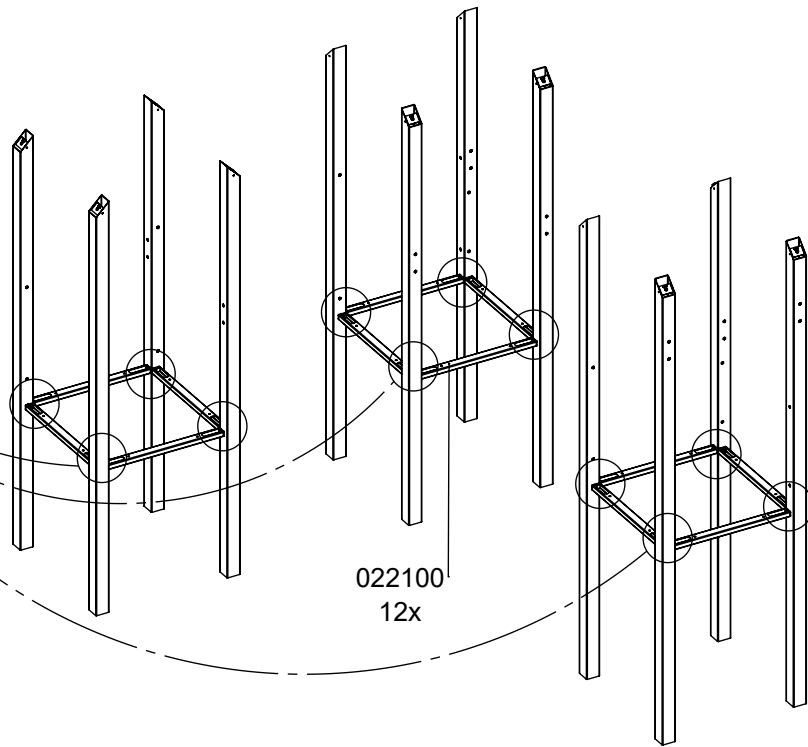
S6

021200 x2

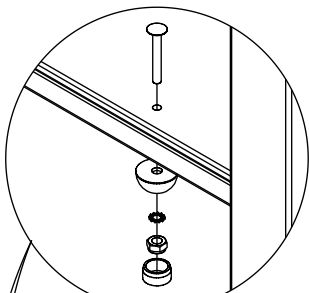




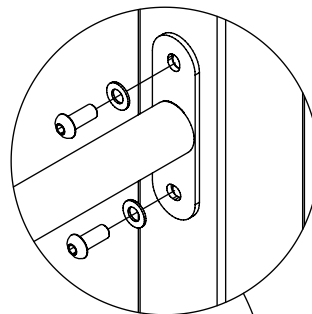
3x **E3**



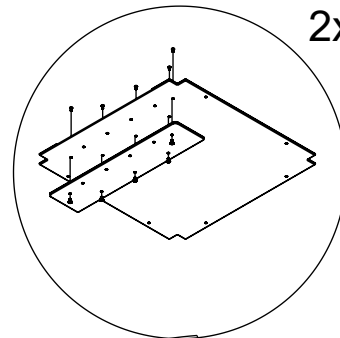
022100
12x



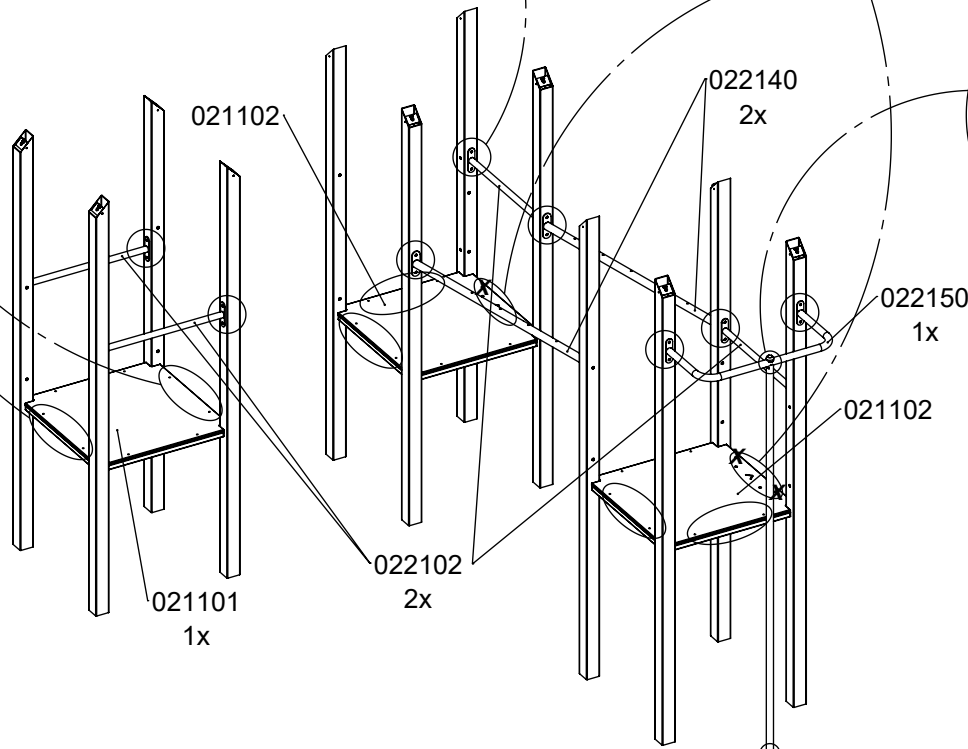
PLYWOOD HPL
3x **PS2** **PH2**



7x **E1**



2x **17p061** S6



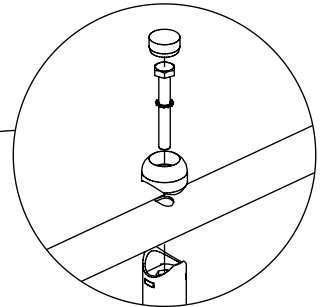
021101
1x

022102
2x

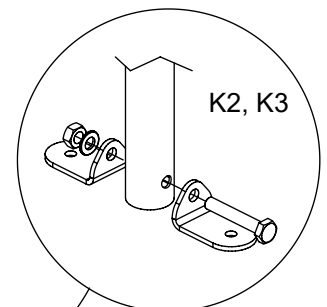
022140
2x

022150
1x

021102



1x **E39**



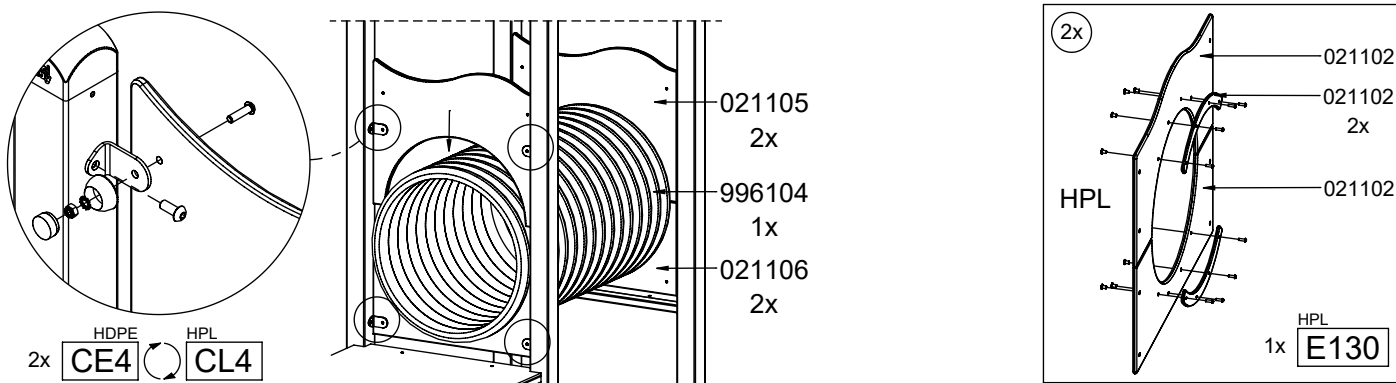
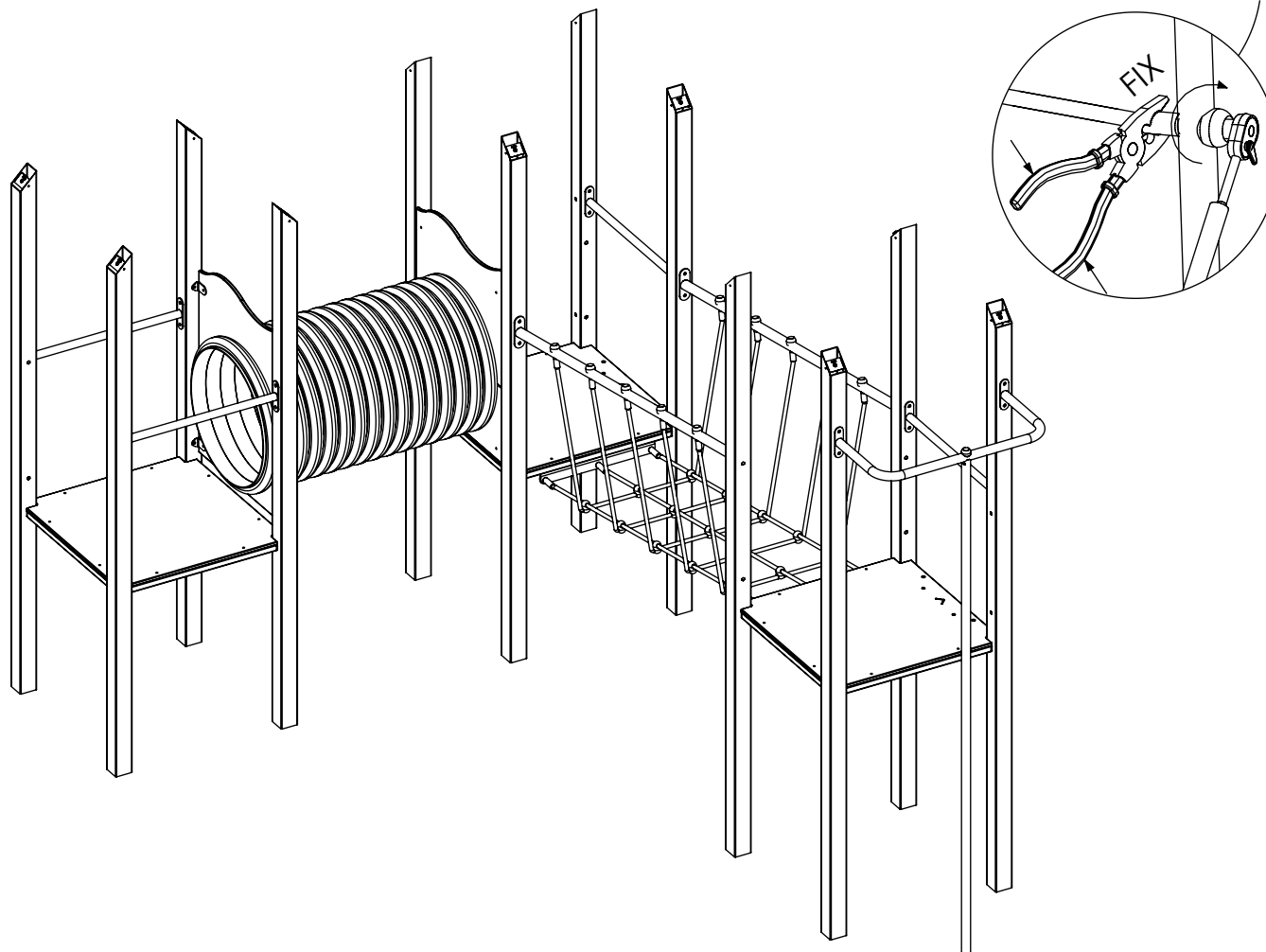
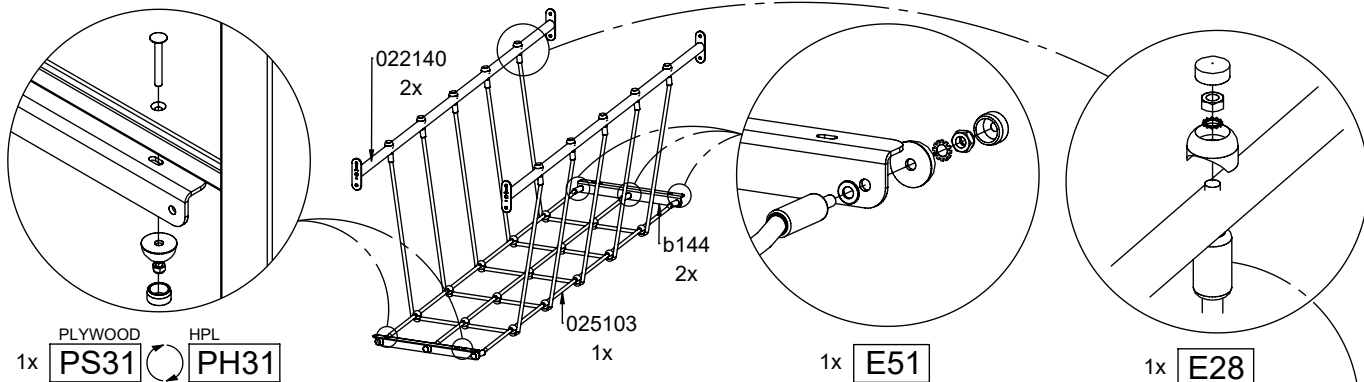
1x **E38**

K2, K3

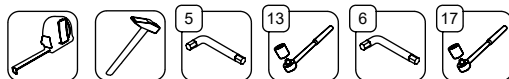
[cm]



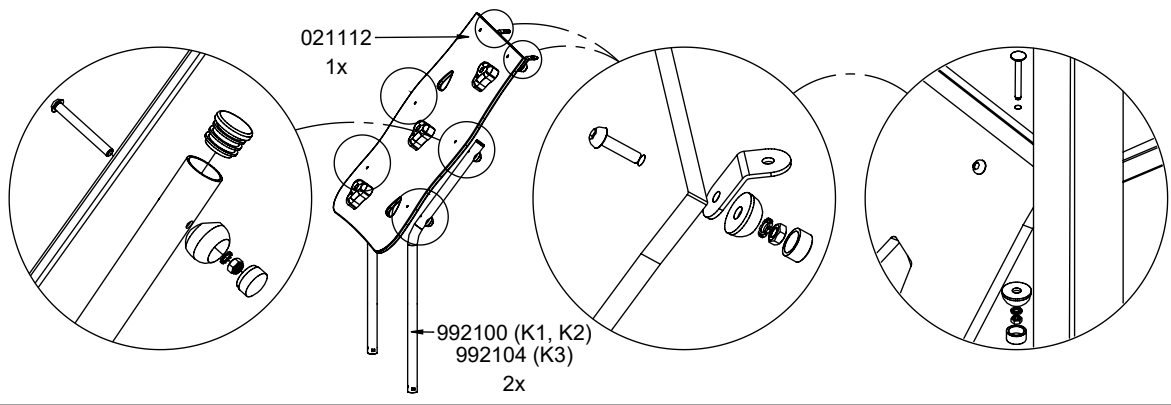
vinci
play



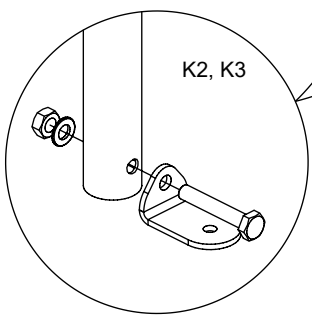
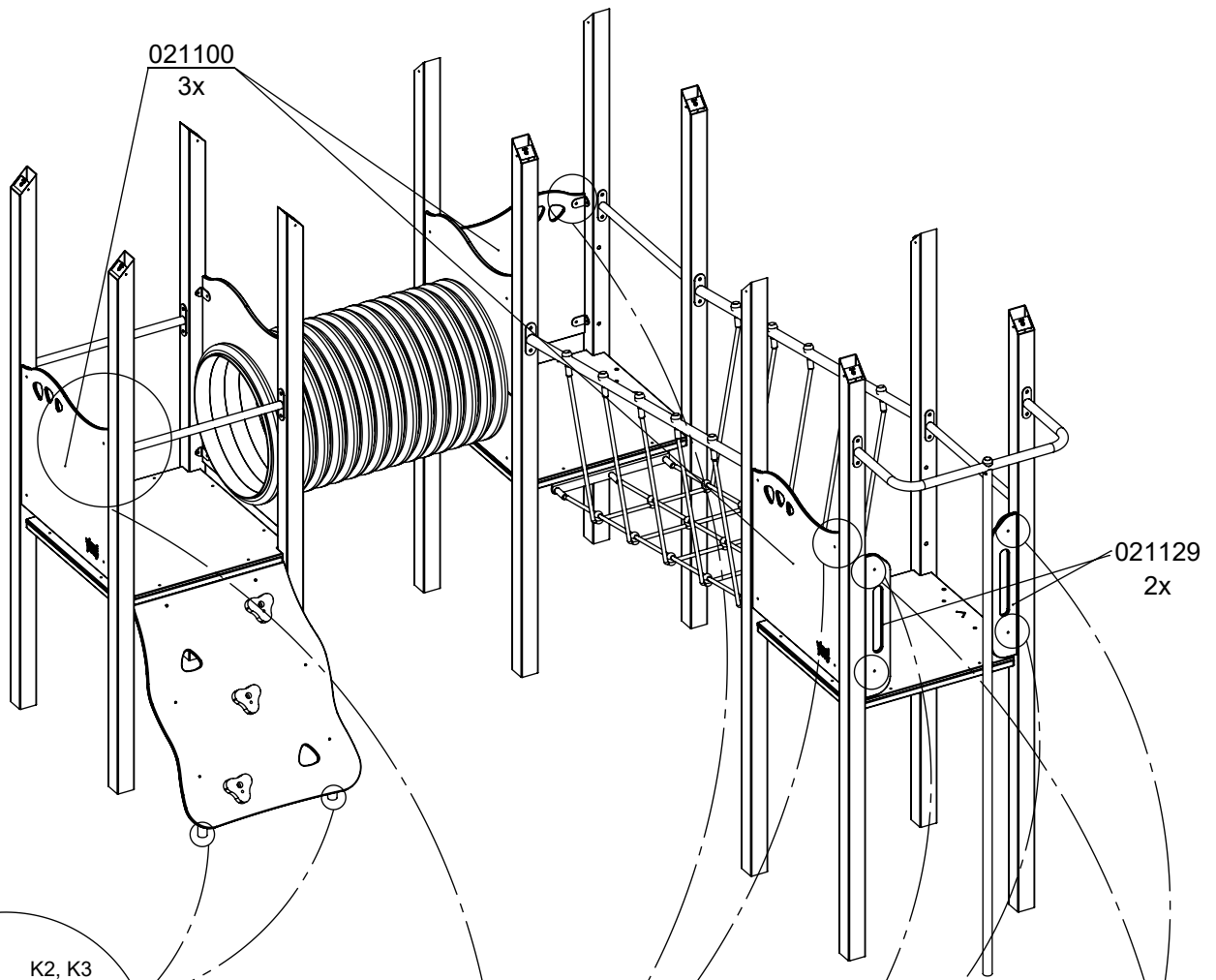
[cm]



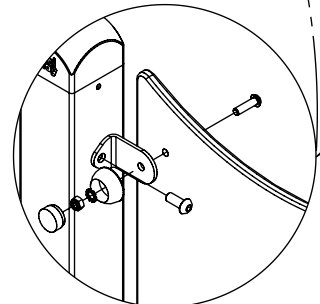
vinci
play



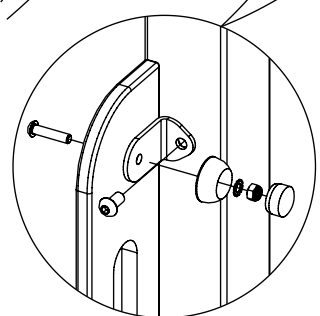
PLYWOOD PS21 HPL PH21



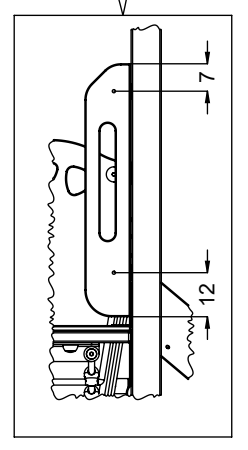
1x E88



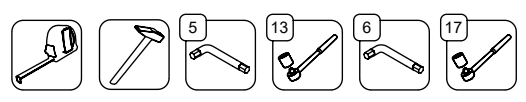
3x HDPE CE1 HPL CL1



1x HDPE CE4 HPL CL4

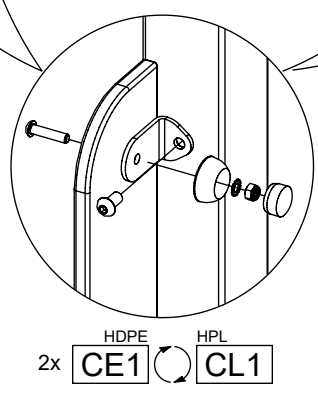
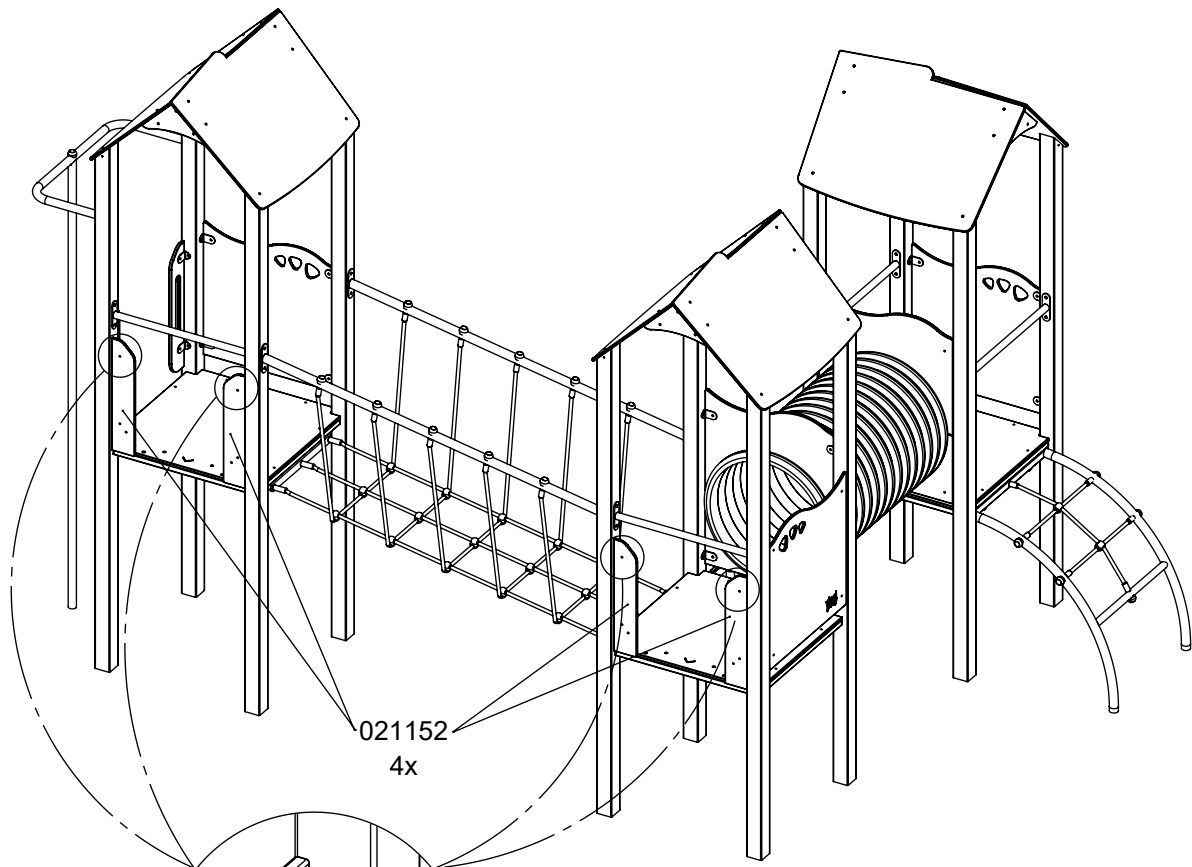
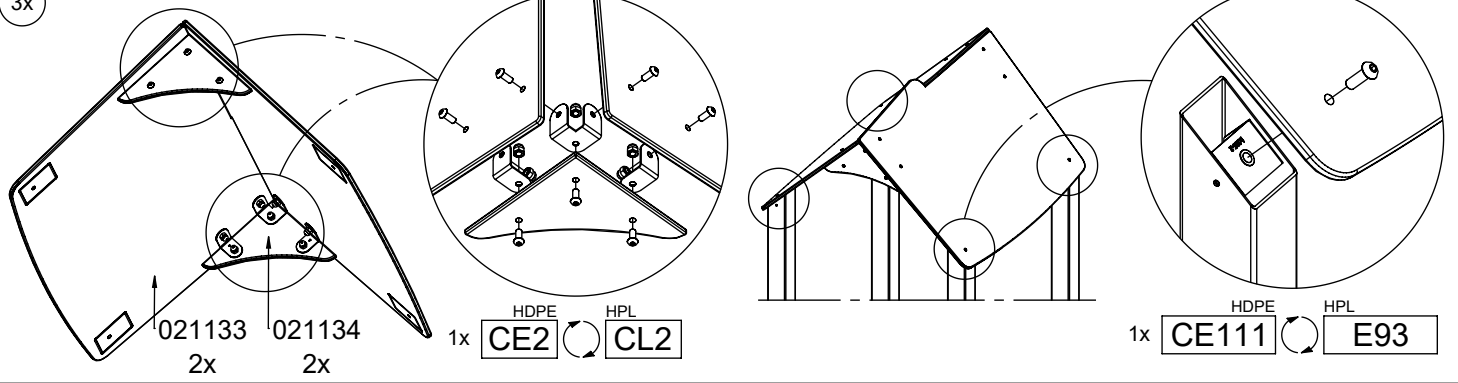


[cm]

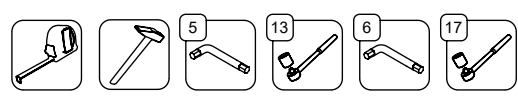


vinci play

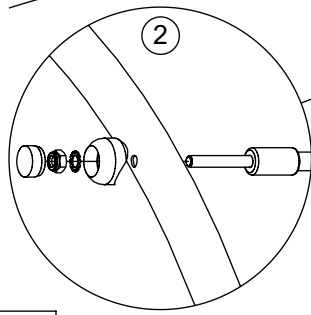
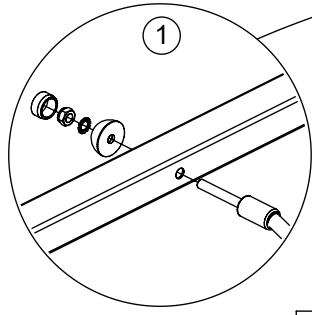
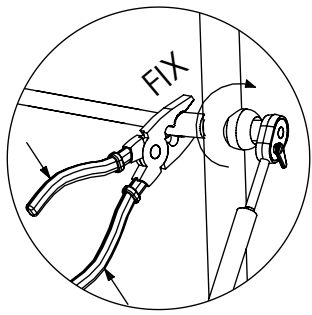
3x



[cm]



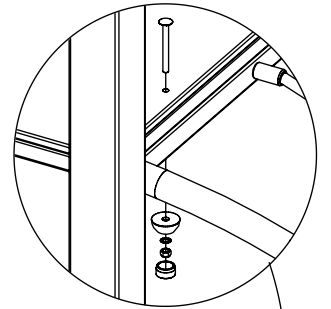
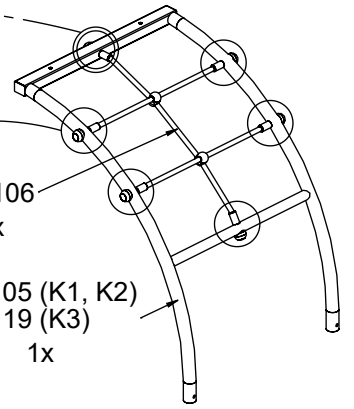
vinci play



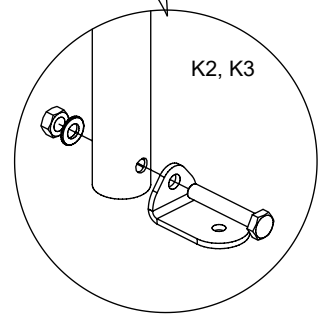
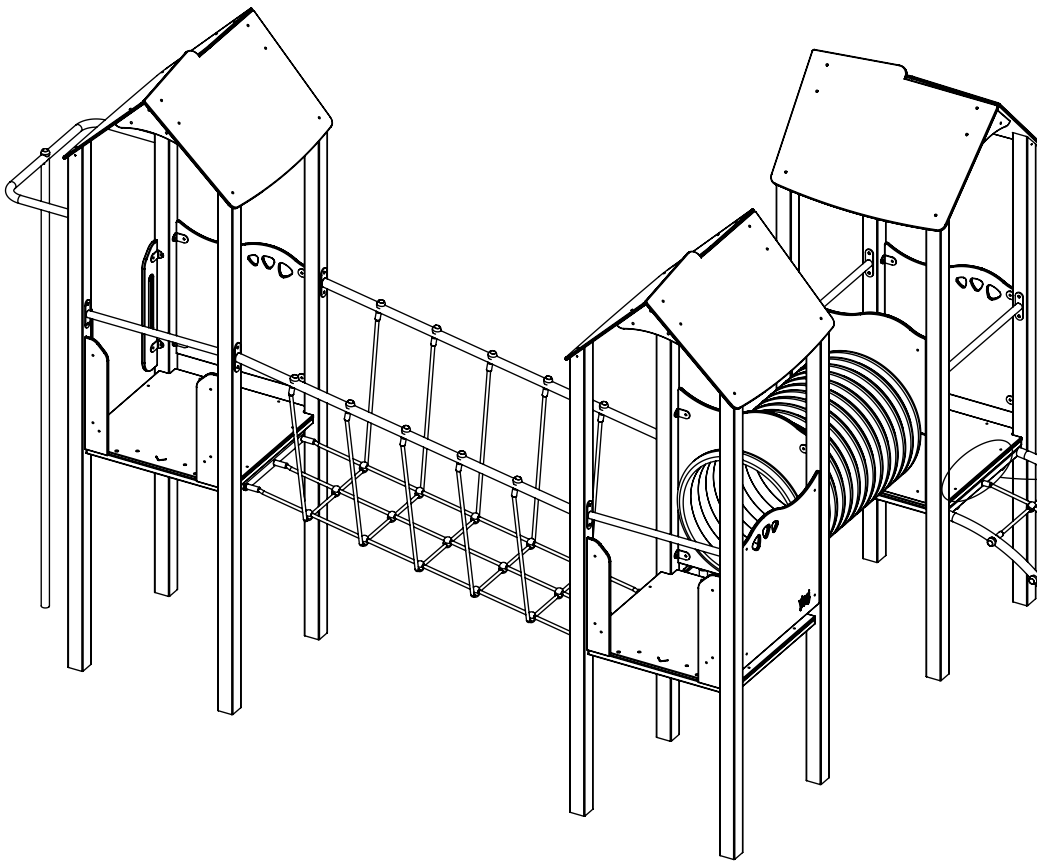
1x **E238**

025106
1x

022105 (K1, K2)
022119 (K3)
1x



PLYWOOD 1x **E4** HPL **E5**

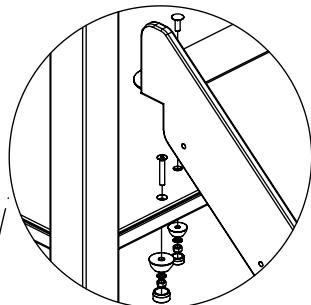


1x **E88**

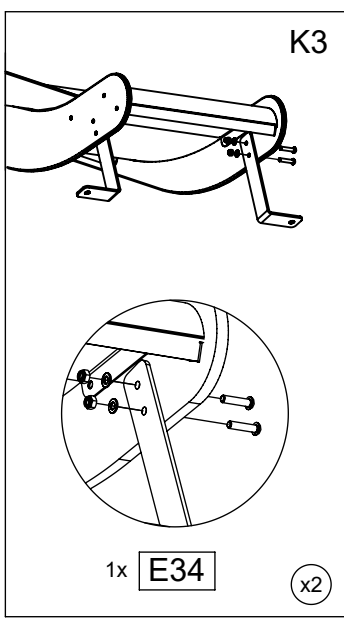
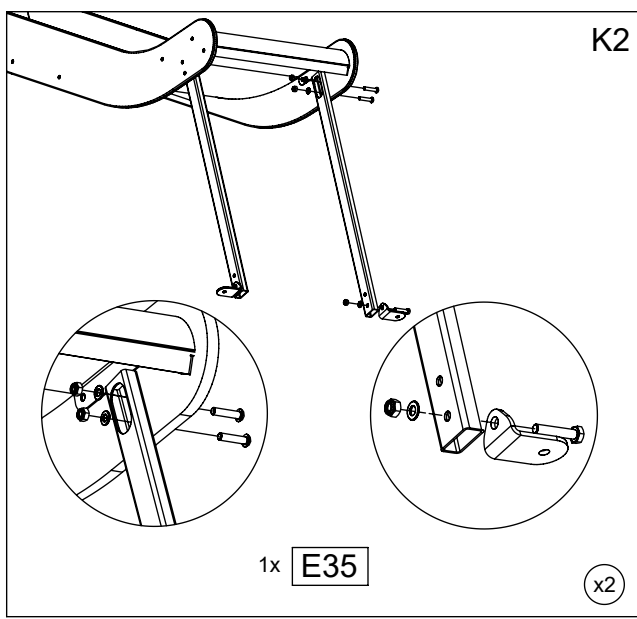
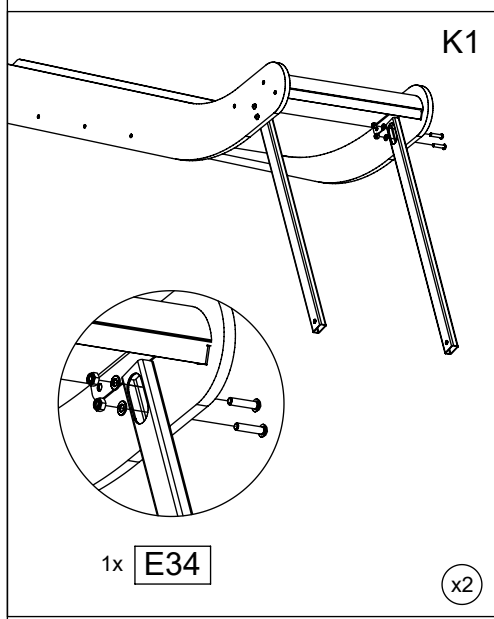
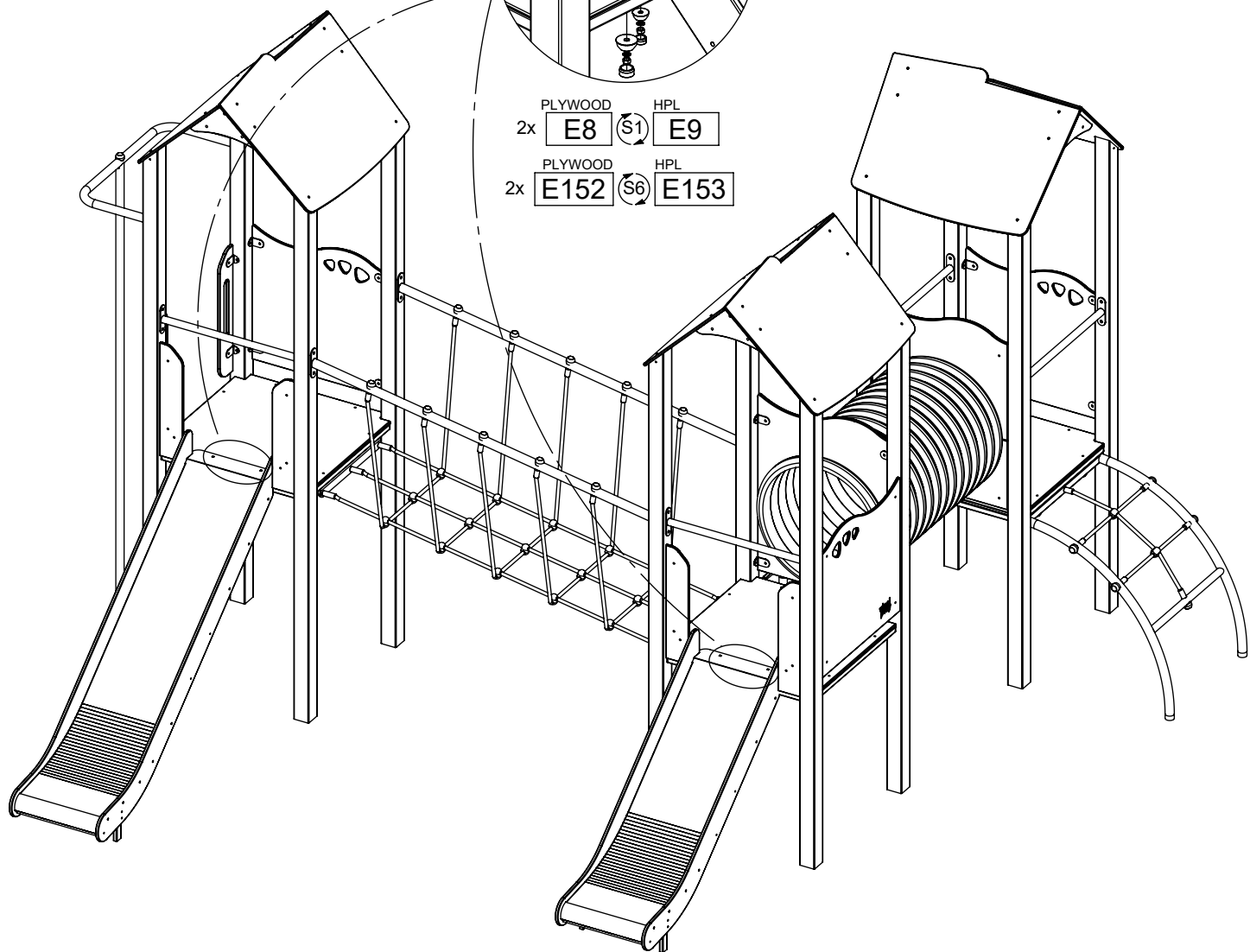
[cm]



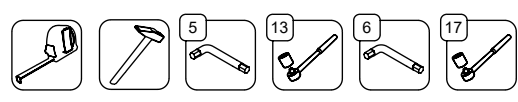
vinci
play



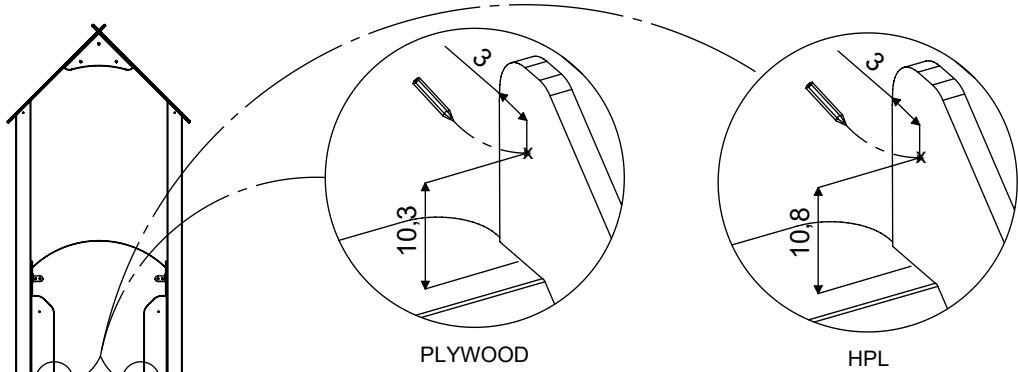
PLYWOOD 2x **E8** (S1) HPL **E9**
 PLYWOOD 2x **E152** (S6) HPL **E153**



[cm]

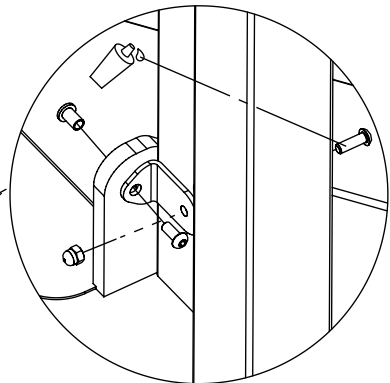
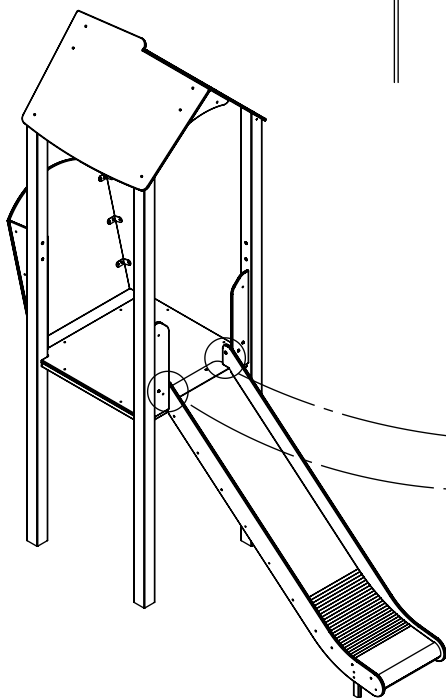
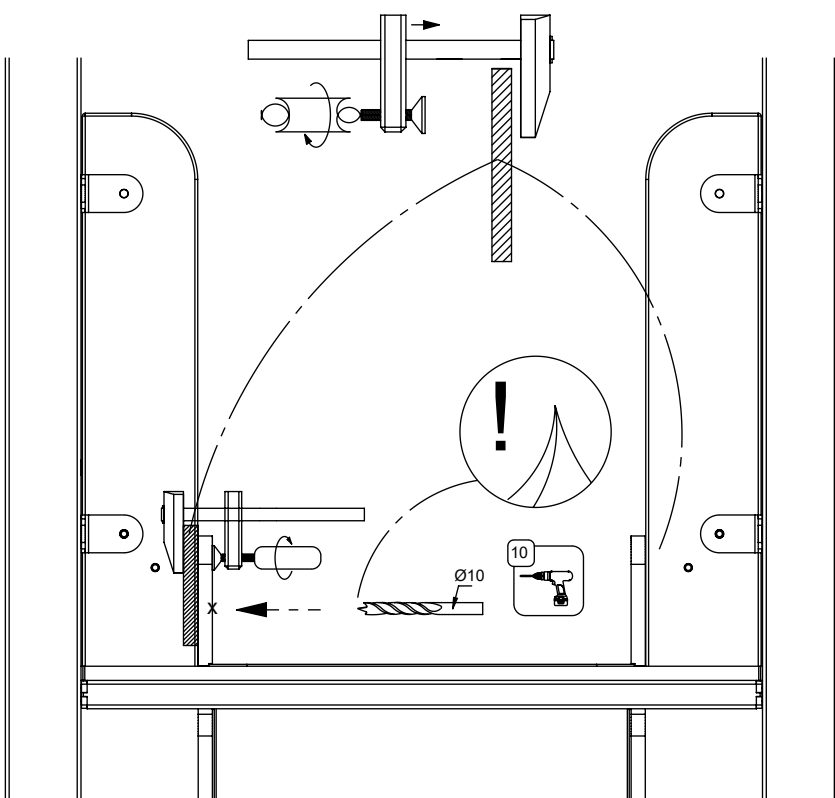


vinci
play



PLYWOOD

HPL

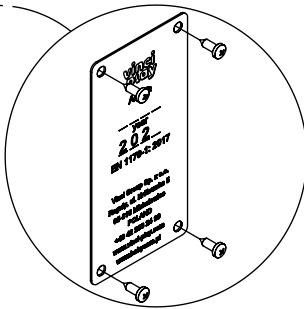
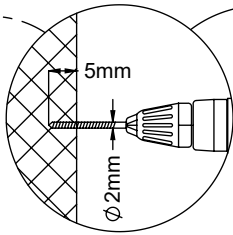
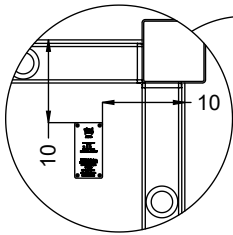
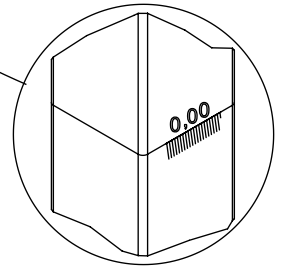
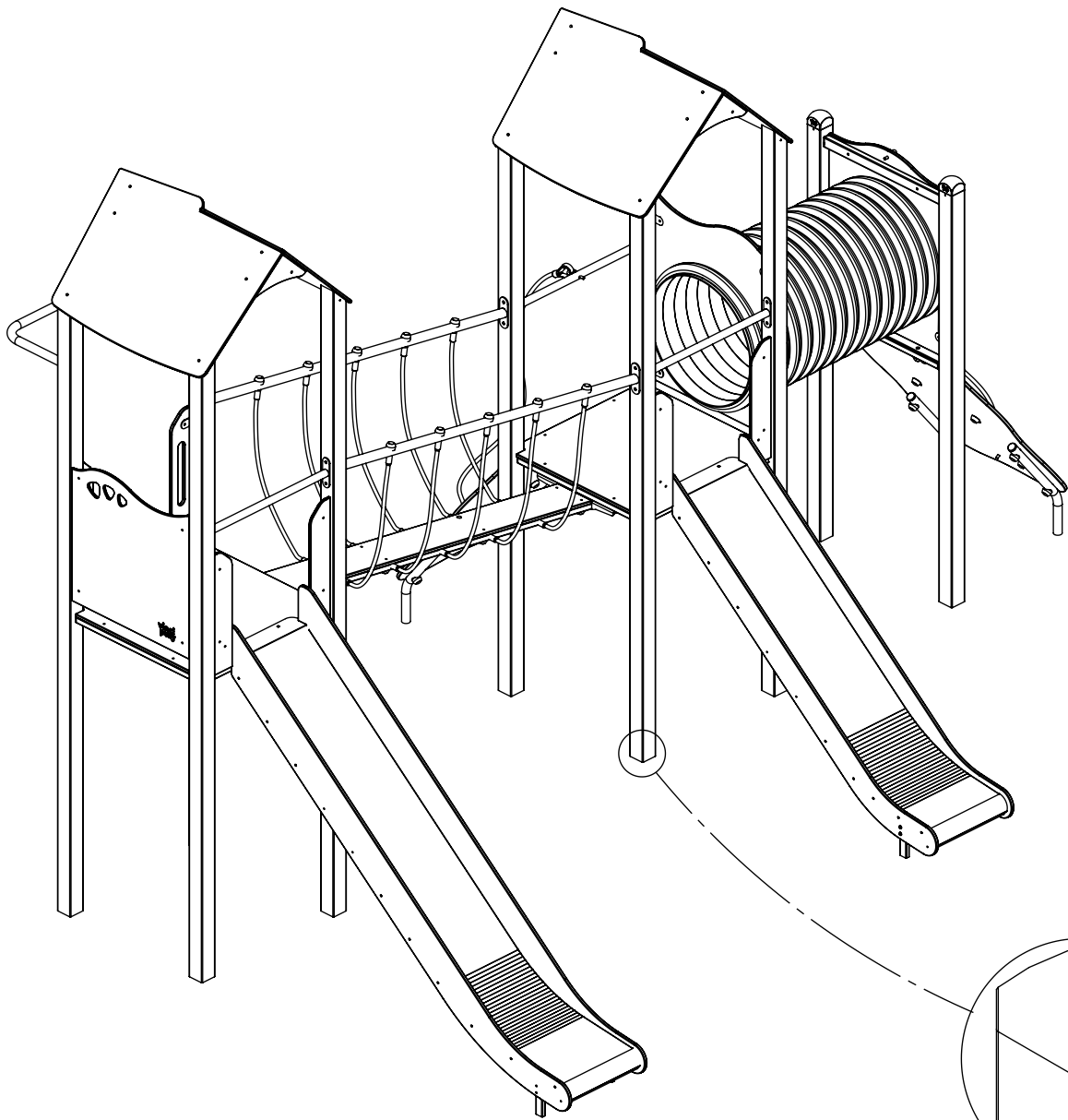


1x

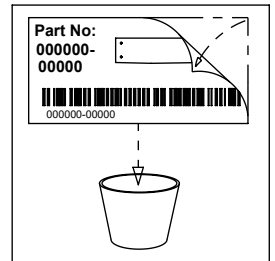
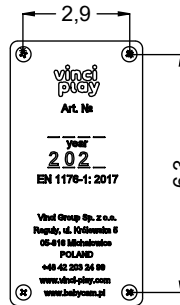
HDPE	HPL
CE31	CL31



[cm]



V001



[cm]



vinci
play