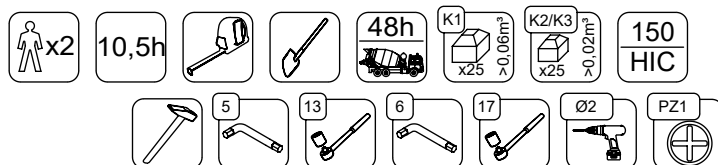
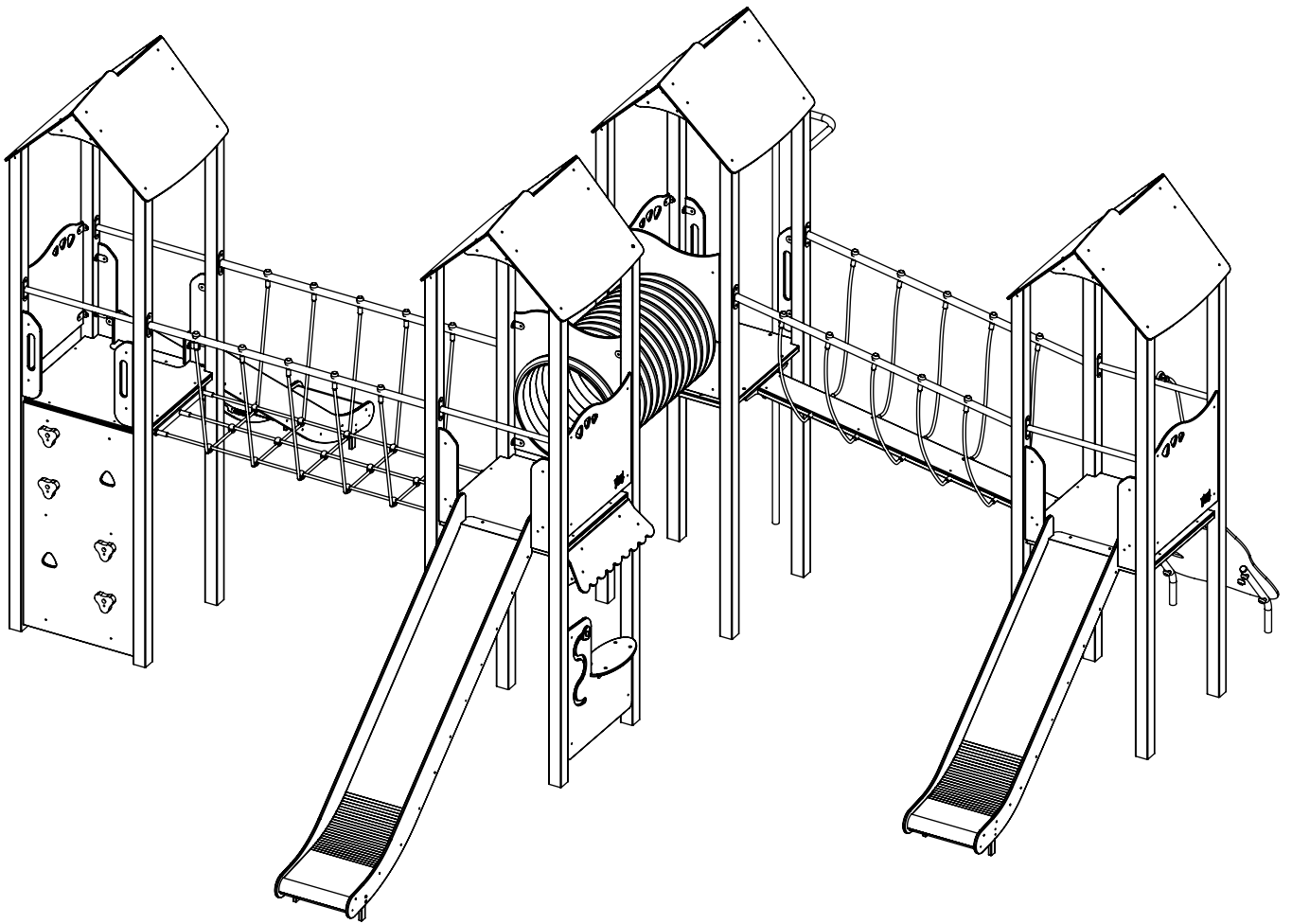
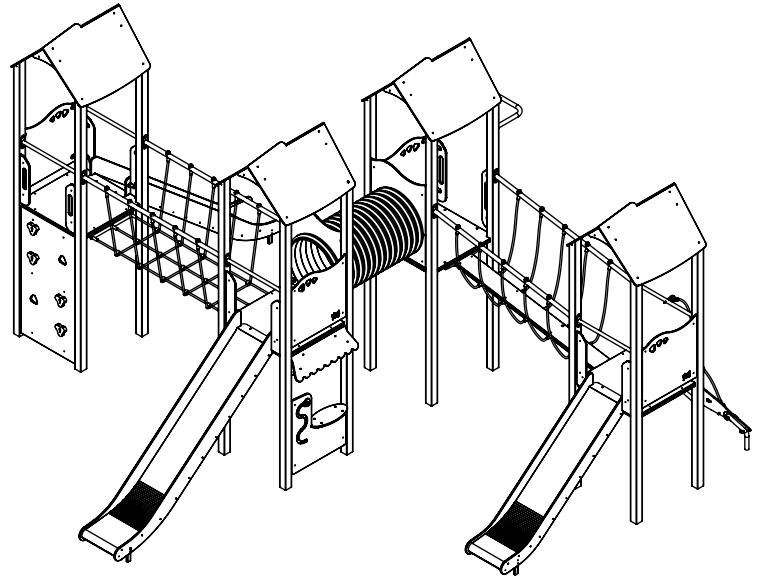
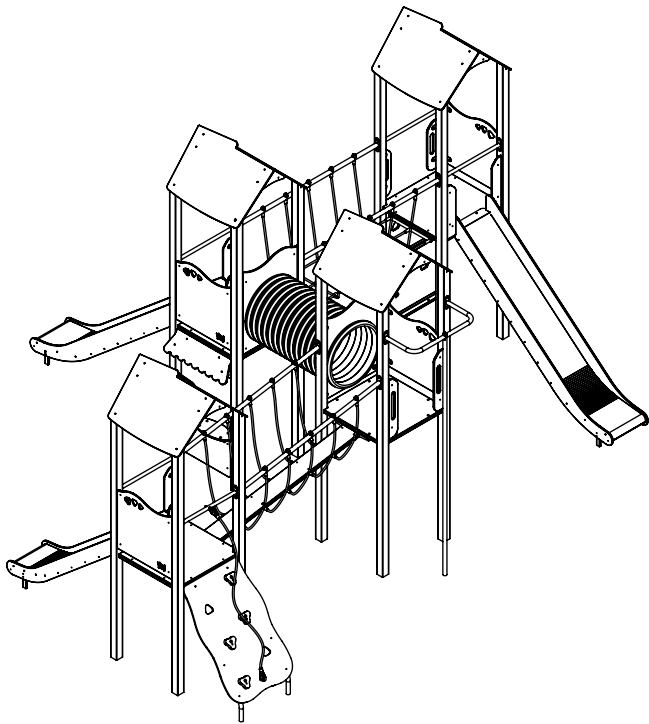
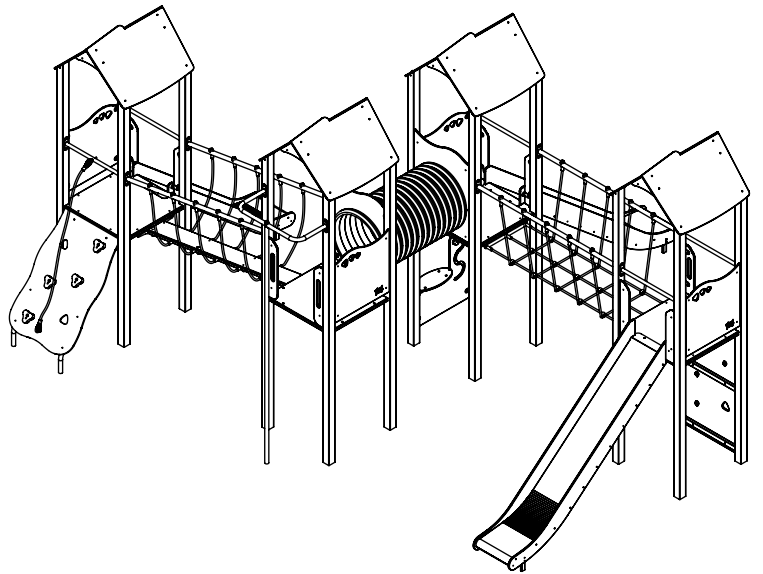
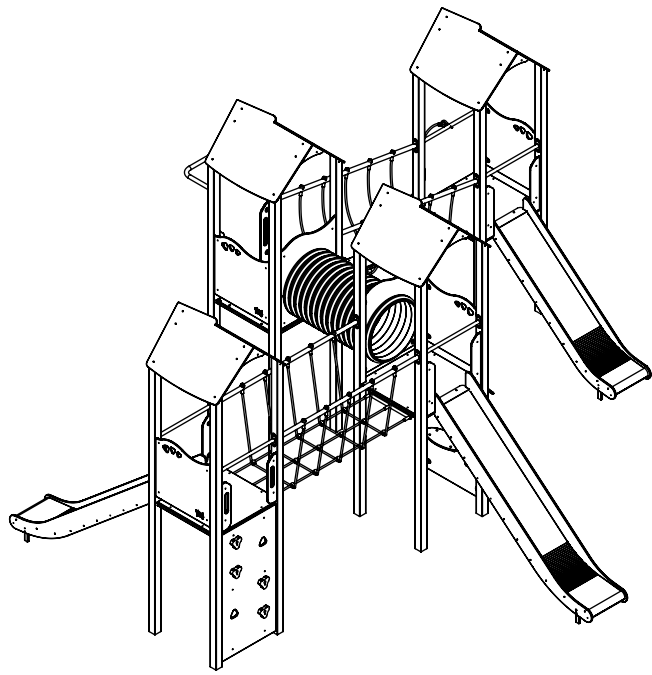


0209



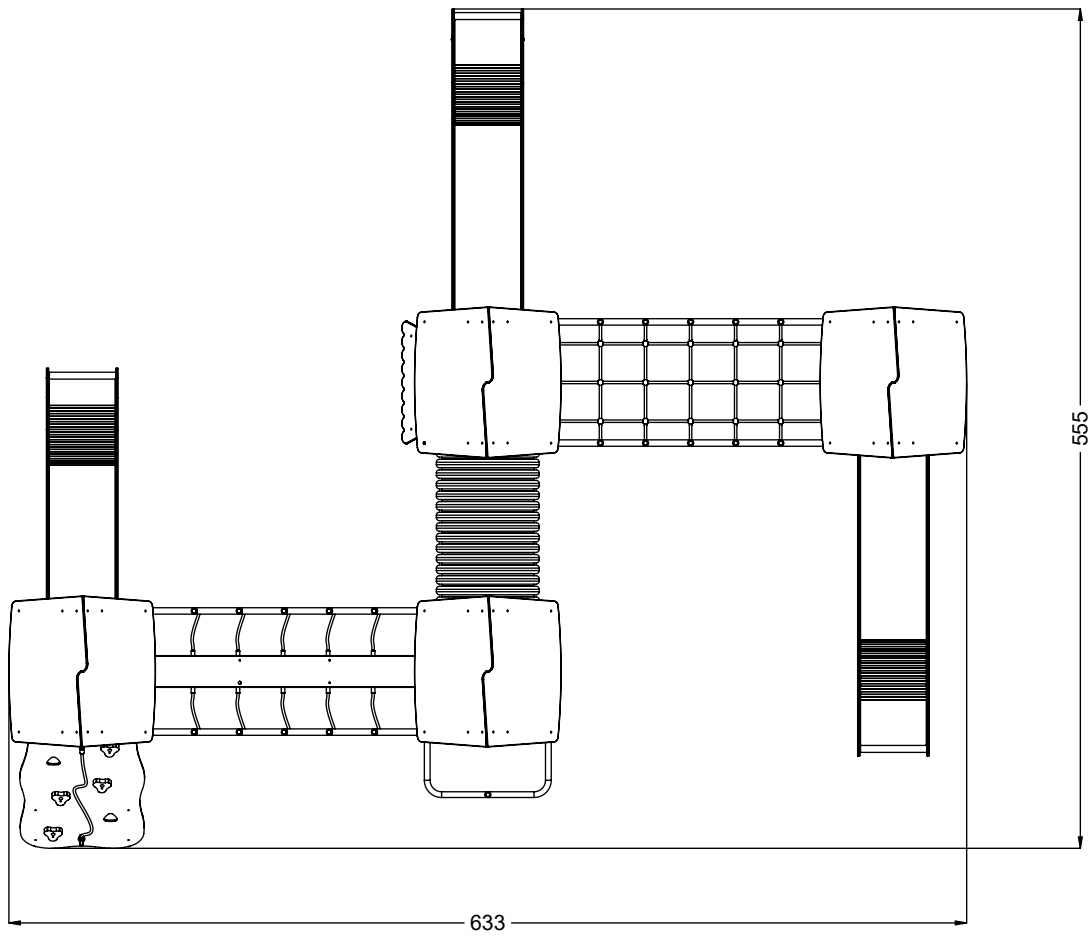
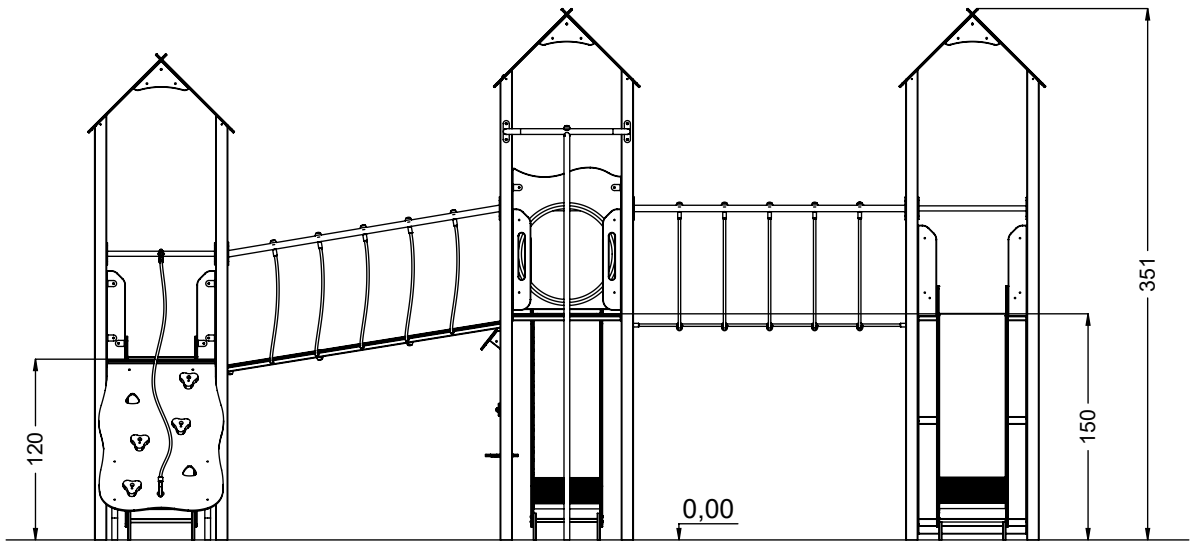
v014
28.12.2023
B.N.
[cm]

vinci
play



[cm]

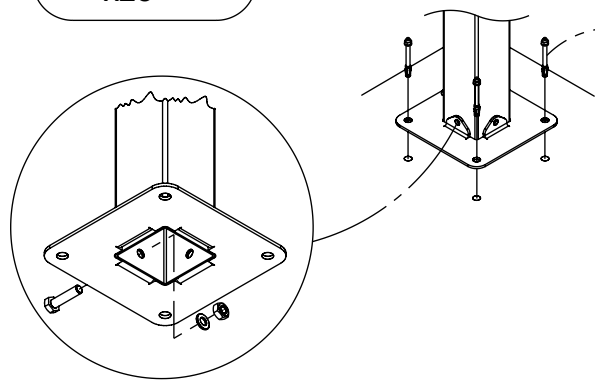
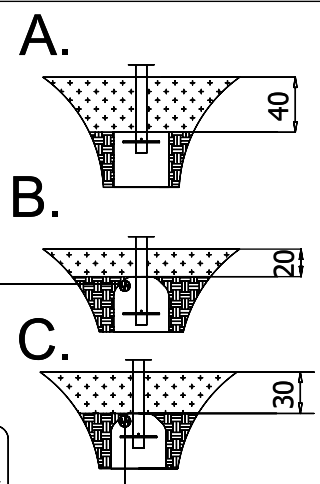
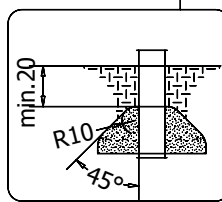
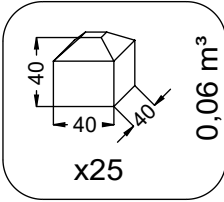
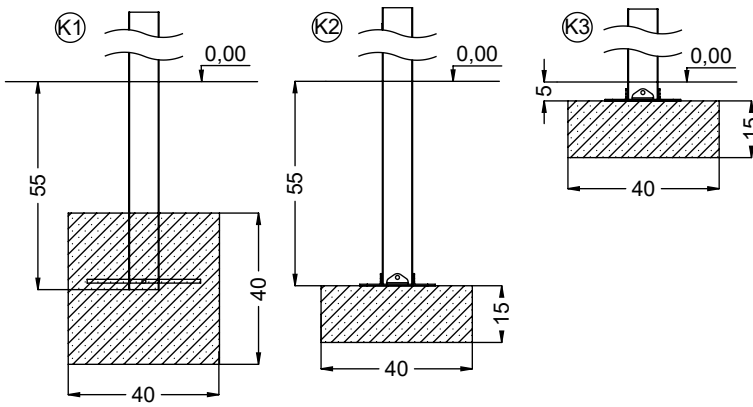
vinci
play

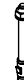







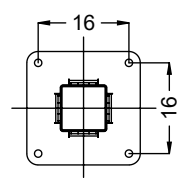
[cm]



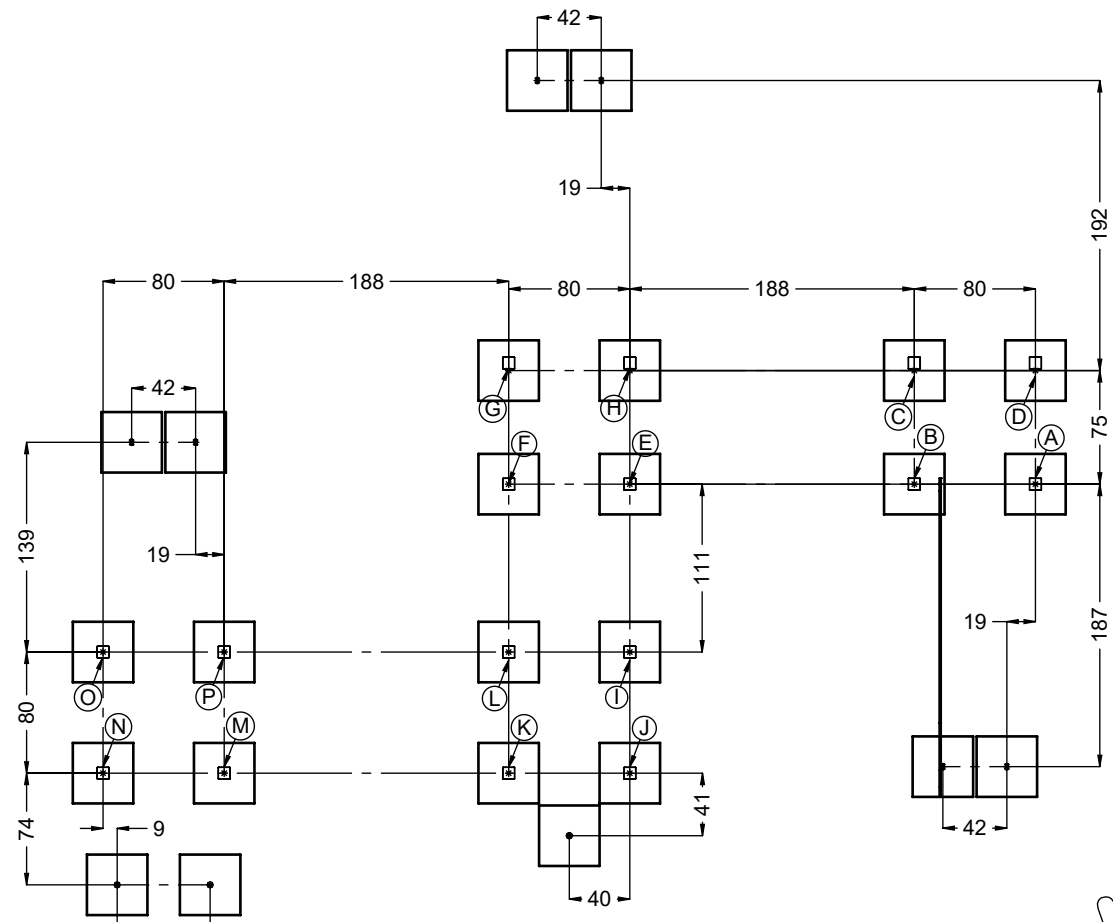
vinci
play



64x M10x120 (K2)	10x M8x120 (K2)
68x M10x120 (K3)	6x M8x120 (K3)
	
	
NOT INCLUDED	NOT INCLUDED
	



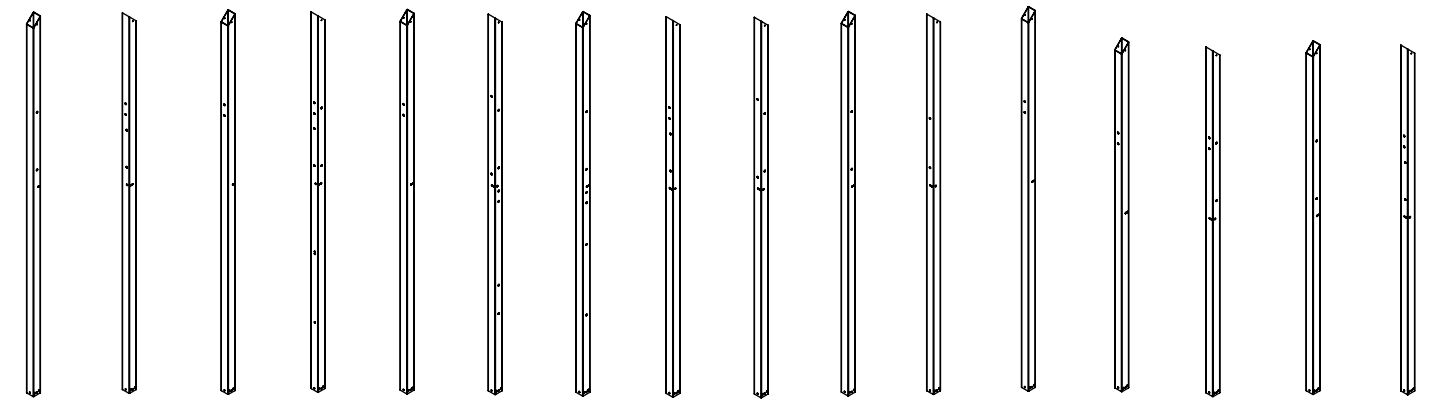
E37



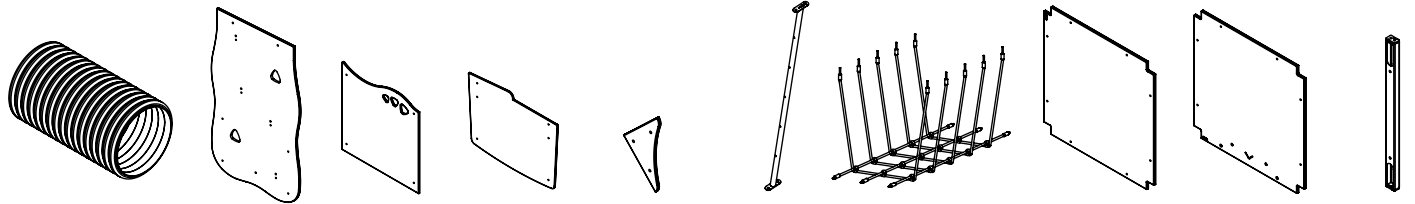
[cm]

	10,5h			48h		
---	-------	---	---	-----	---	--

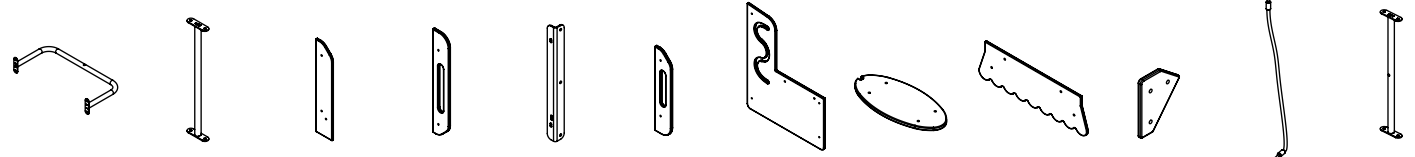
vinci play



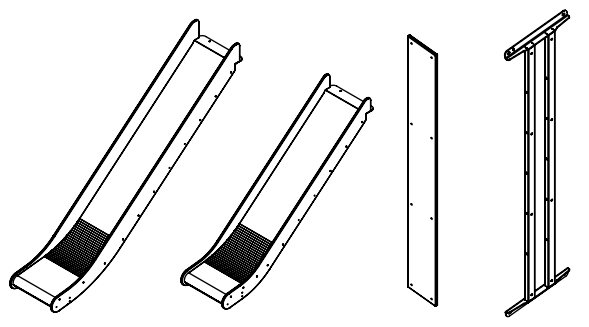
209A x1 209B x1 209C x1 209D x1 209E x1 209F x1 209G x1 209H x1 209I x1 209J x1 209K x1 209L x1 209M x1 209N x1 209O x1 209P x1



996104 x1 021135 x1 021100 x4 021133 x8 021134 x8 022140 x2 025109 x1 021101 x1 021102 x3 022100 x18



022150 x1 022102 x4 021152 x6 021129 x2 b144 x2 021110 x2 021119 x1 021120 x1 021121 x1 021153 x2 025100 x10 022103 x1



994105 x2 994104 x1 021132 x1 022116 x1

K1, K2

 P78
 x6

K3

 b219-2
 x6

K1, K2

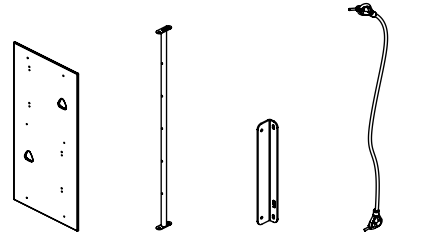
 992100
 x2

K3

 992104
 x2

K2, K3

 B231
 x16



021131 x1 022135 x2 b203 x1 025146 x1

HDPE

 021105 x2

 021106 x2

HPL

 021185 x2

 021186 x2

 021187 x4

K1, K2

 992124
 x1

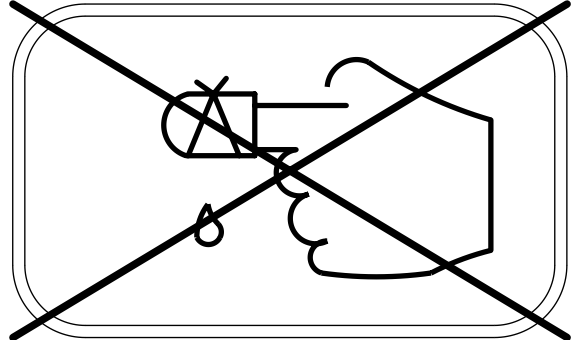
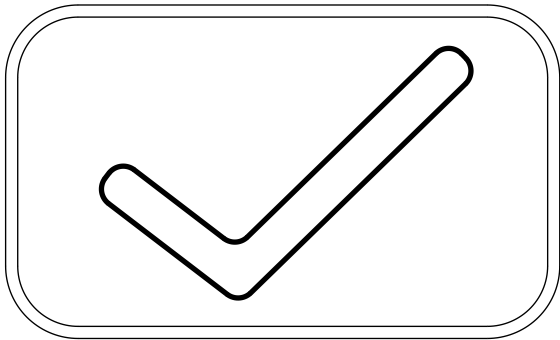
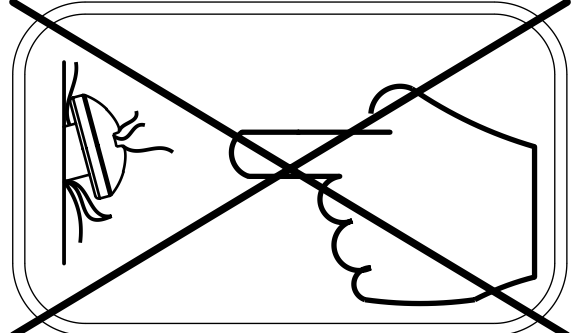
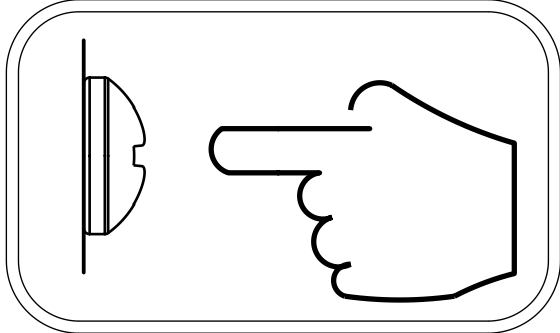
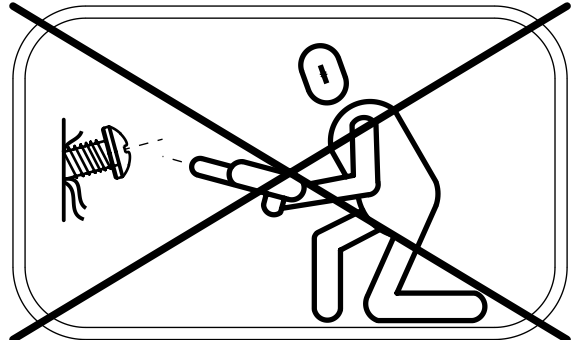
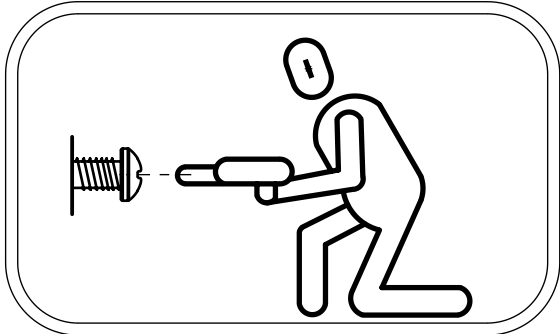
K3

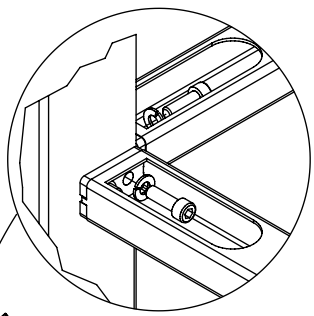
 992125
 x1

[cm]

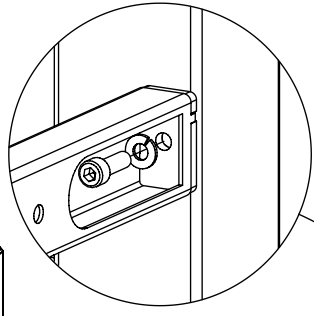


ST/INOX		PLYWOOD / HDPE		HPL	
3x	E34 (K1, K3)	3x	E8 (S1)	3x	E9 (S1)
2x	E35 (K2)	3x	E152 (S6)	3x	E153 (S6)
1x	E88 (K2, K3)	2x	PS31	2x	PH31
1x	E38 (K2, K3)	4x	CE2	4x	CL2
	E37 (K2, K3)	7x	CE1	7x	CL1
2x	E28	5x	CE4	5x	CL4
10x	E1	1x	PS22	1x	PH22
1x	E51	1x	CE6	1x	CL6
4x	E3	3x	PS1	3x	PH1
1x	E42	1x	PS3	1x	PH3
1x	E78	3x	CE31	3x	CL31
1x	E39	1x	PS21	1x	PH21
1x	V001	4x	CE111	4x	E93
		1x	CE5	1x	CL5
		1x	PS93	1x	PH93
		1x	CE40	1x	CL40
		1x	PS26	1x	PH26
				2x	E130
				3x	17p061

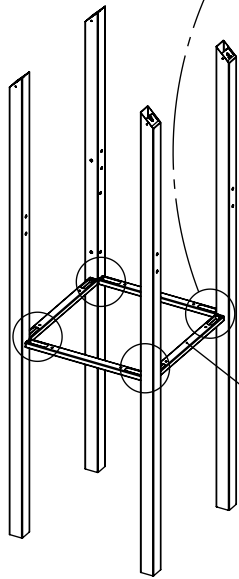




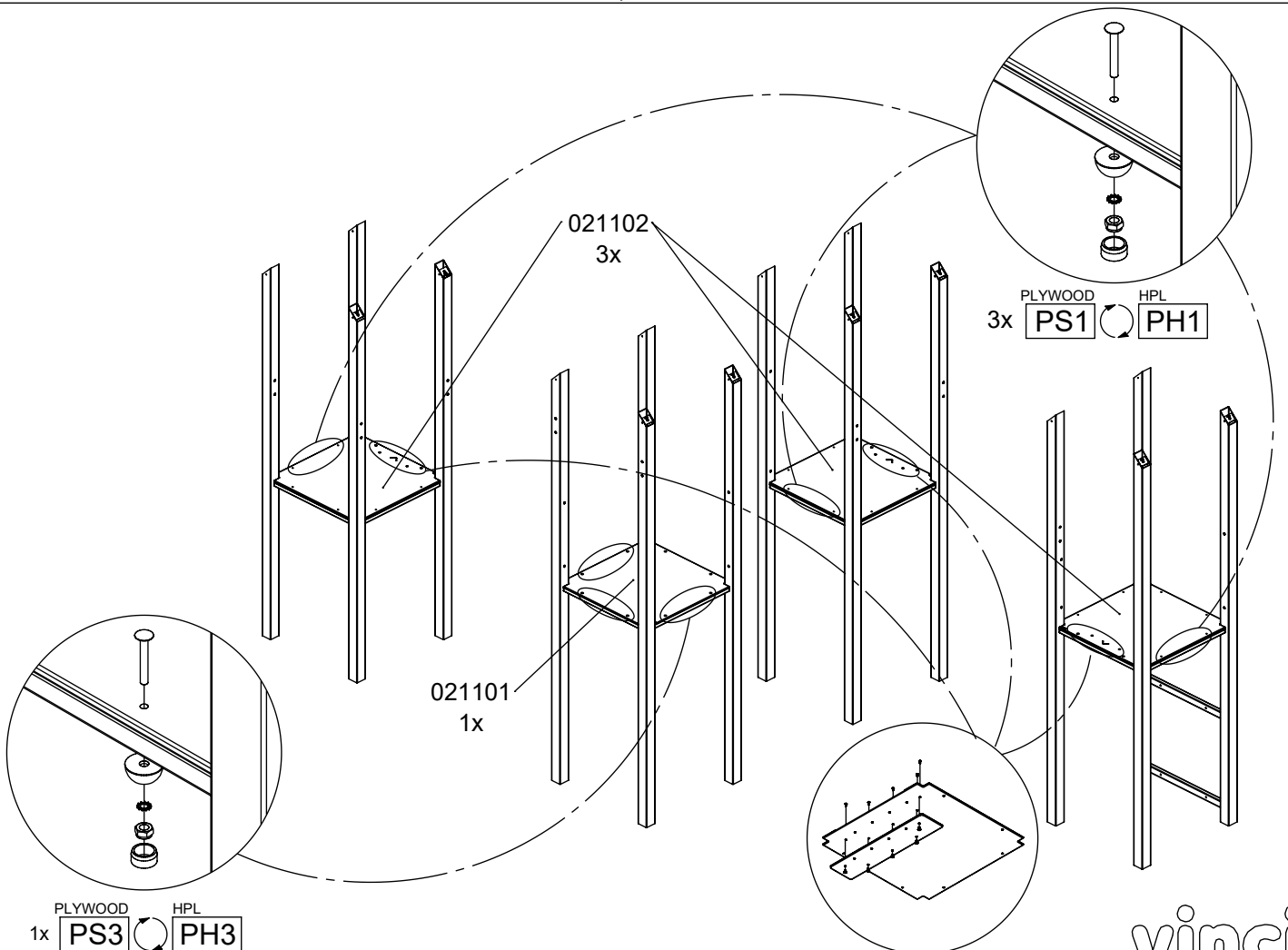
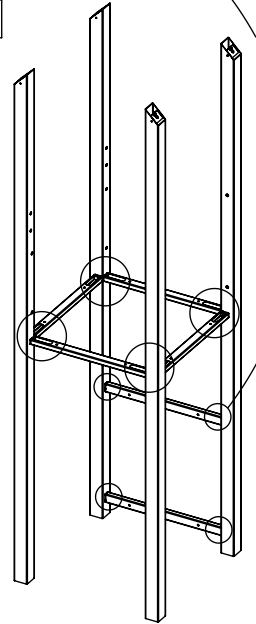
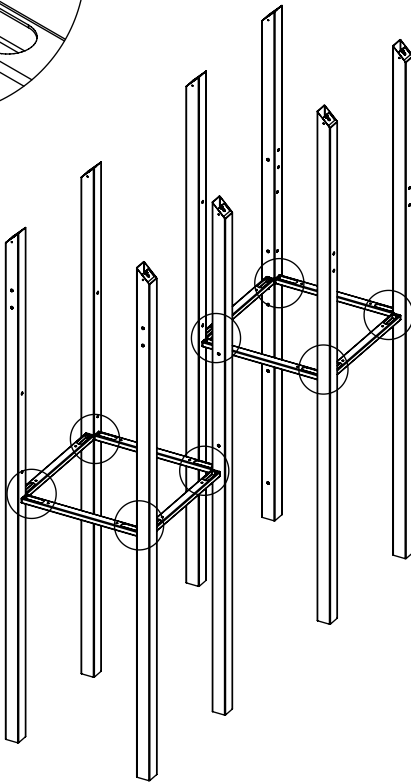
4x **E3**



1x **E42**



022100
18x



021102
3x

PLYWOOD HPL
3x **PS1** **PH1**

021101
1x

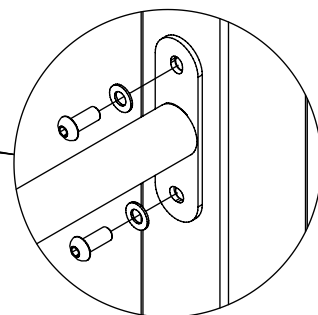
PLYWOOD HPL
1x **PS3** **PH3**

3x **17p061** s6

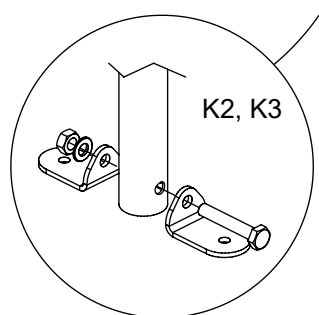
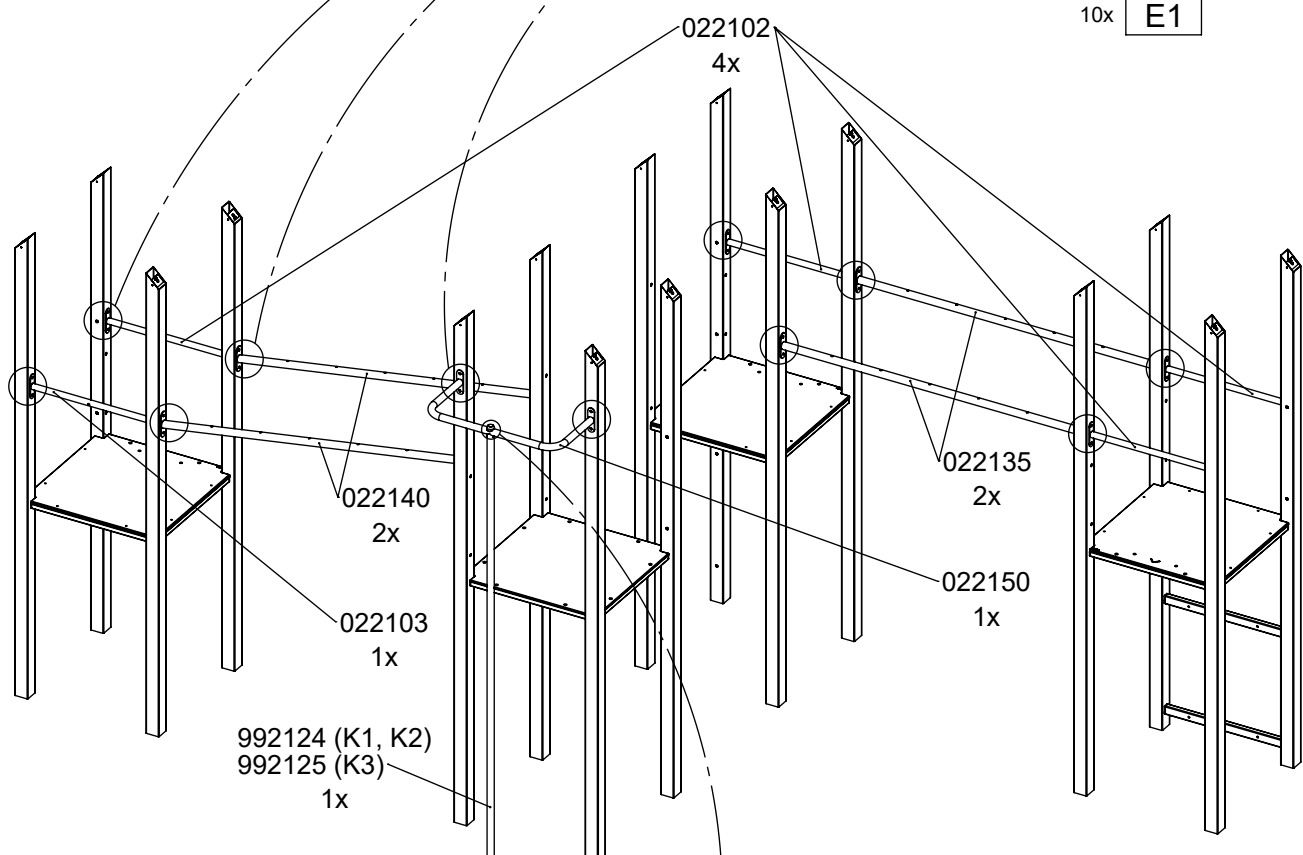


[cm]

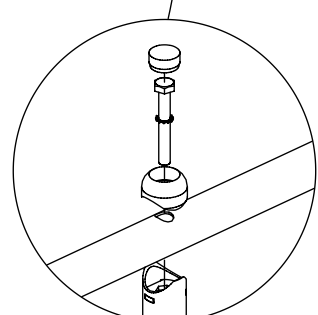
vinci
play



10x **E1**

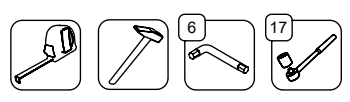


1x **E38**

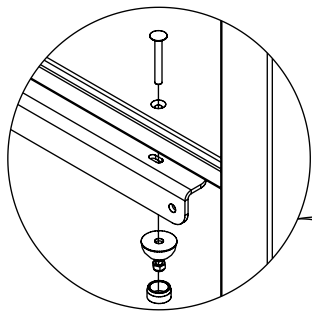


1x **E39**

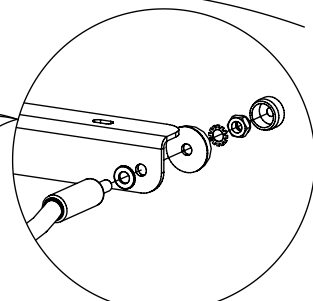
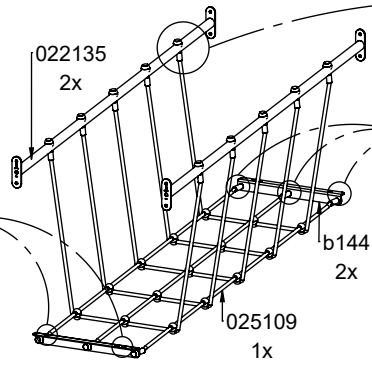
[cm]



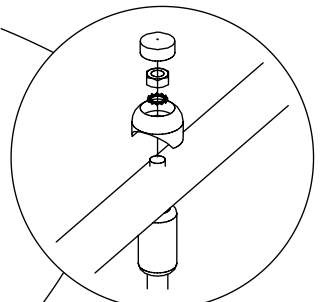
vinci
play



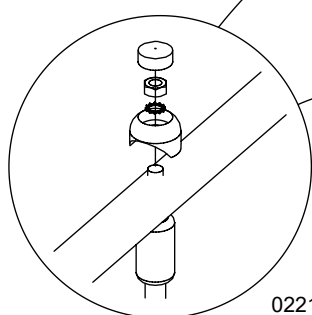
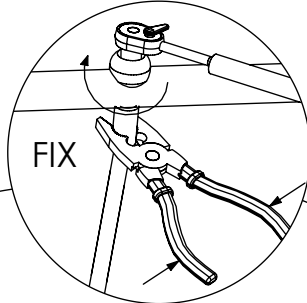
PLYWOOD PS31 HPL PH31
1x



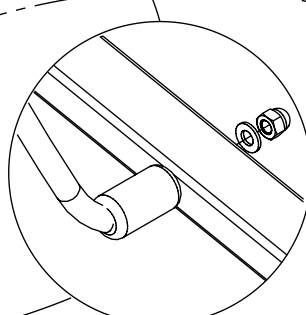
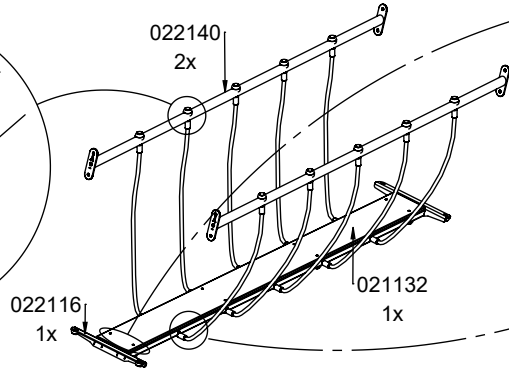
1x E51



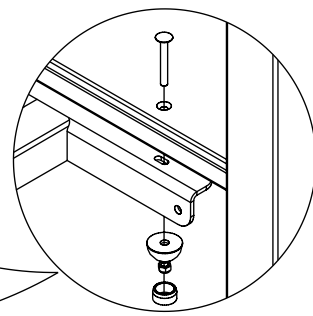
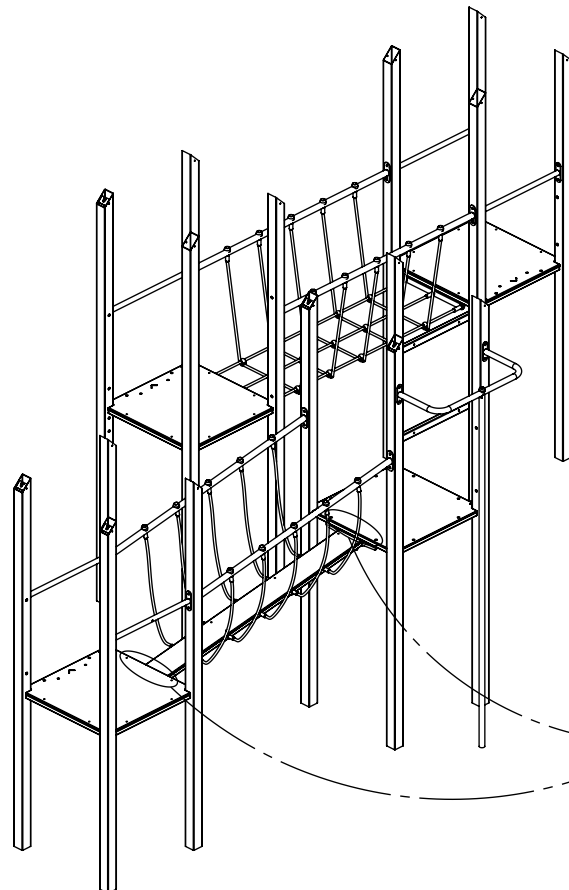
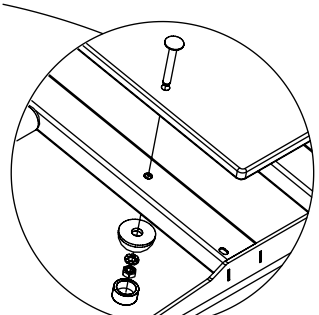
1x E28



1x E28

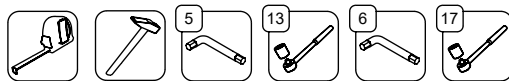


PLYWOOD PS22 HPL PH22
1x

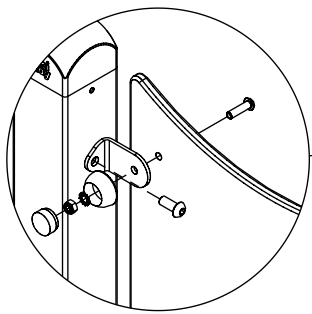


PLYWOOD PS31 HPL PH31
1x

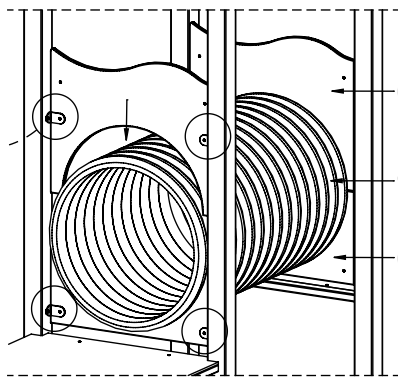
[cm]



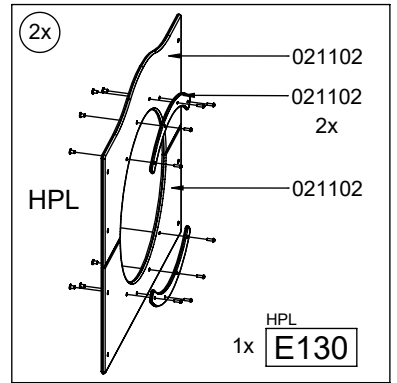
vinci play



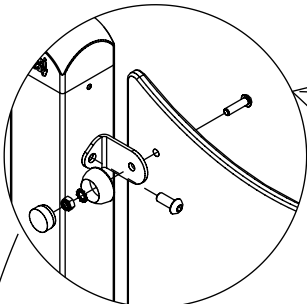
2x HDPE CE4
HPL CL4



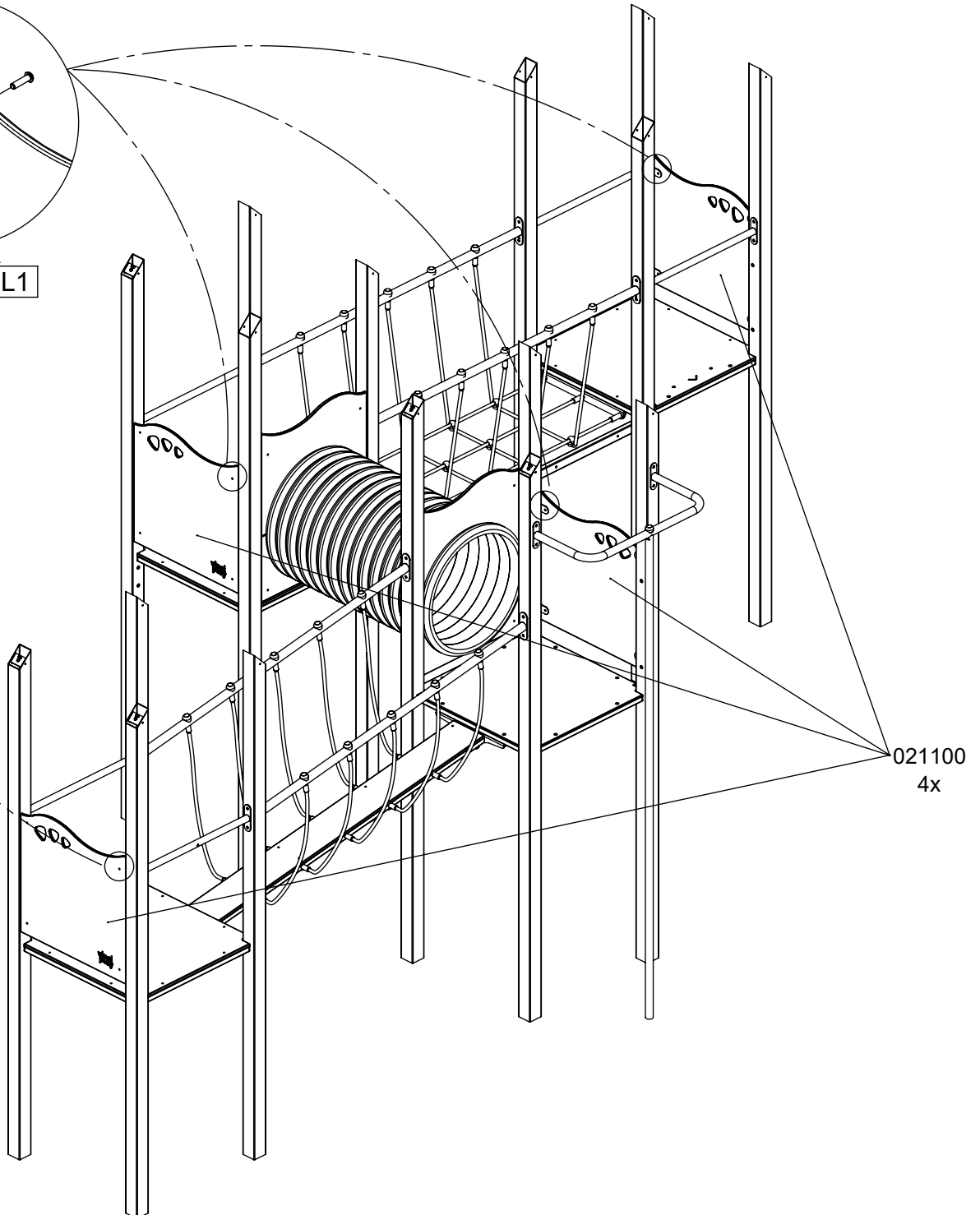
021105
2x
996104
1x
021106
2x



2x
021102
021102
2x
021102
HPL
1x E130



4x HDPE CE1
HPL CL1

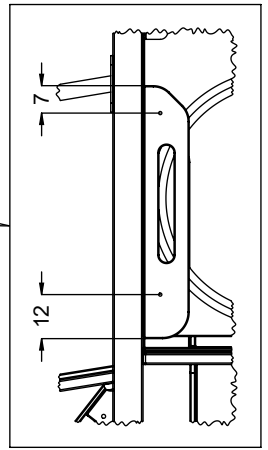
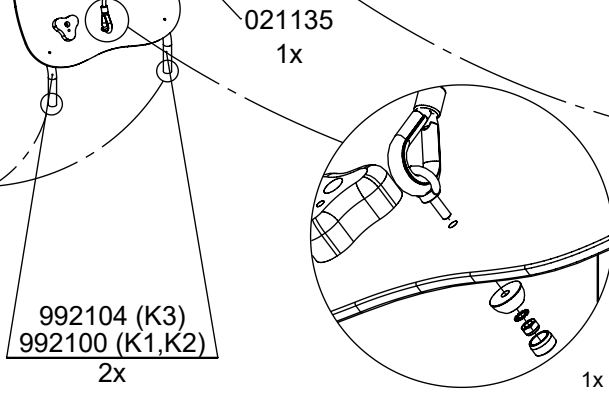
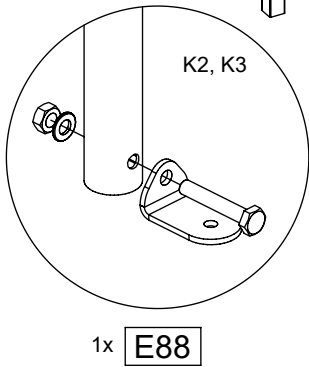
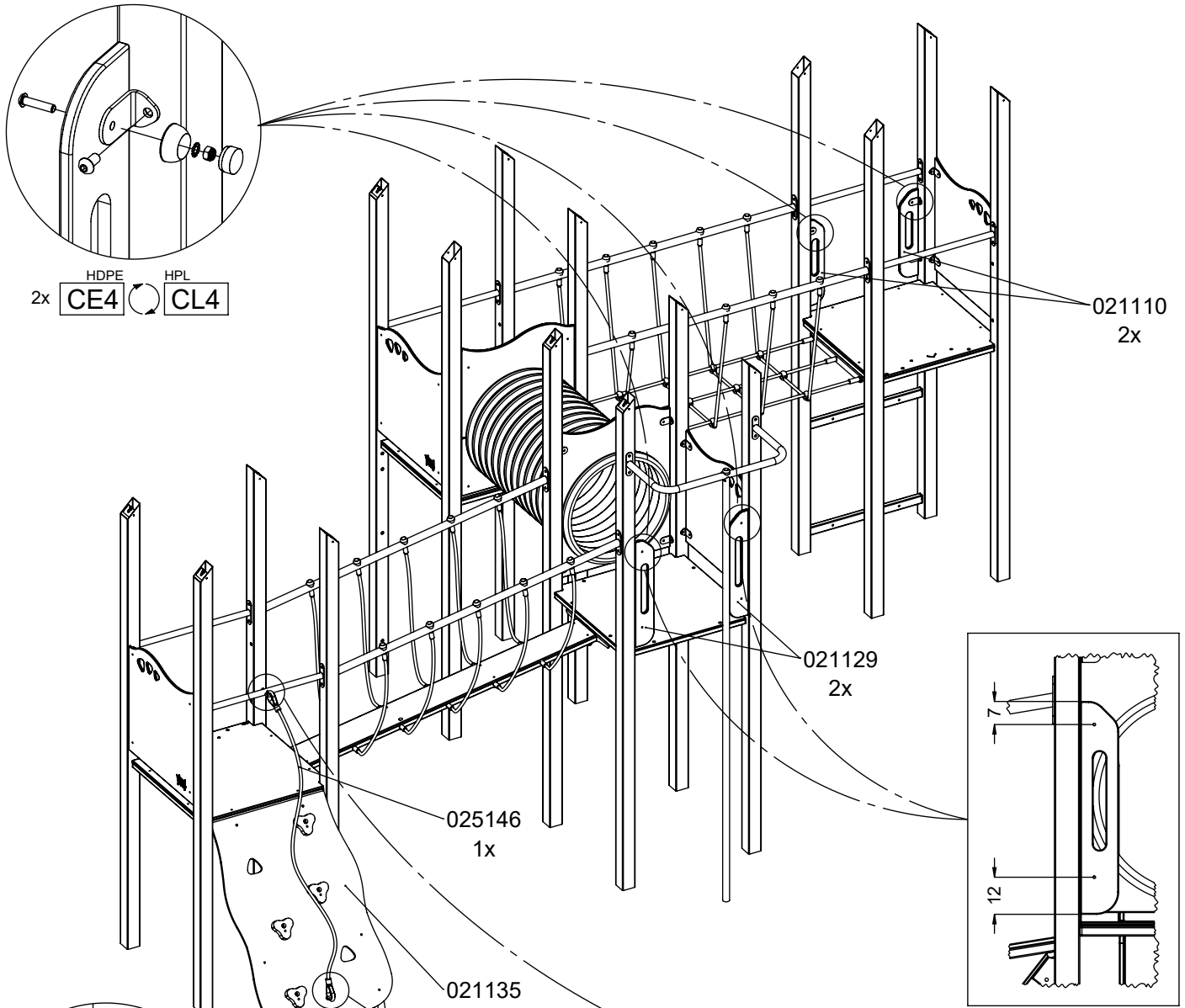
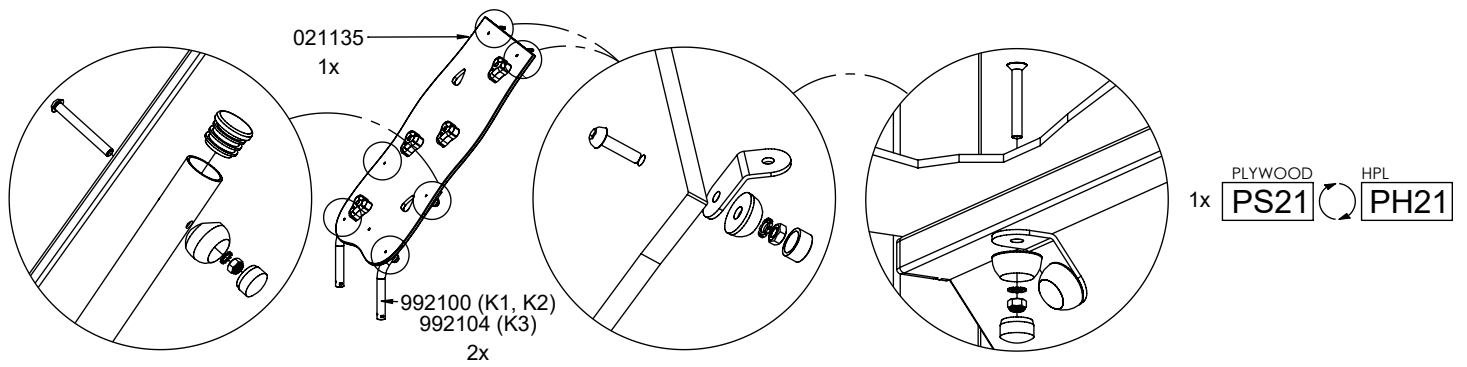


021100
4x

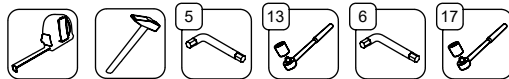
[cm]



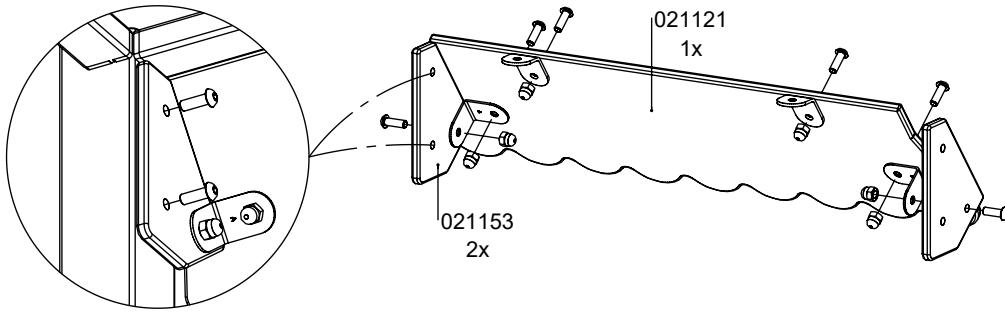
vinci
play



[cm]

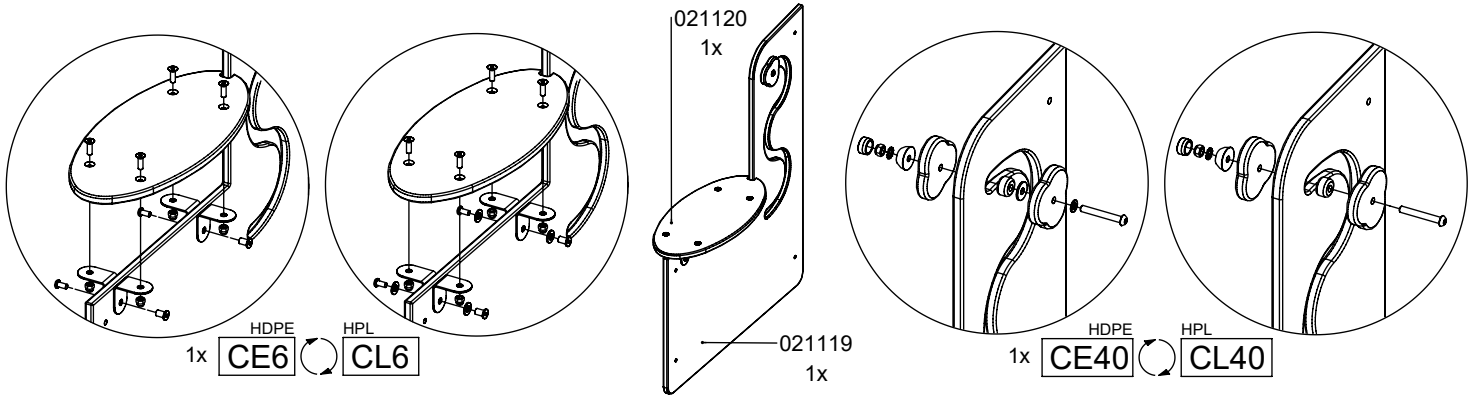


vinci
play



1x

HDPE	HPL
CE5	CL5

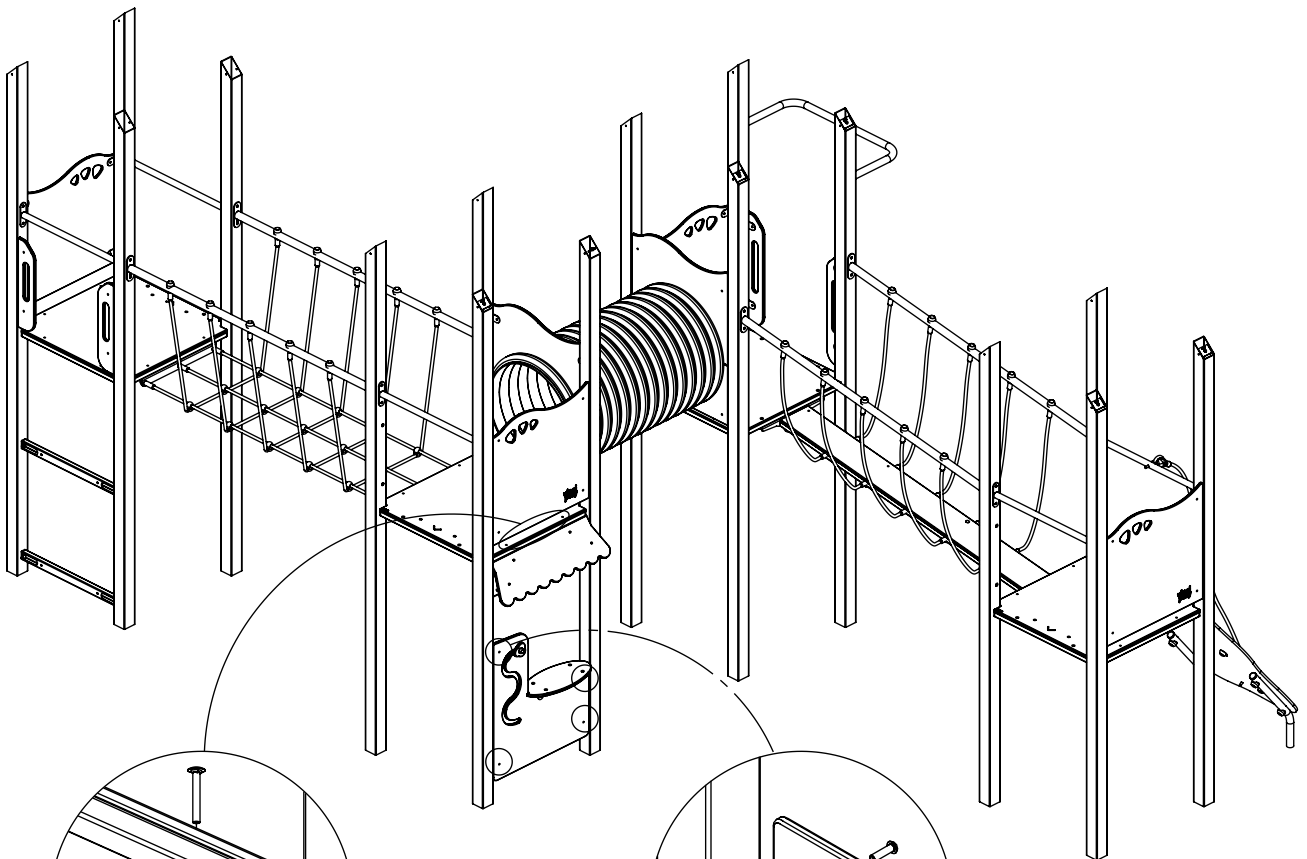


1x

HDPE	HPL
CE6	CL6

1x

HDPE	HPL
CE40	CL40



1x

PLYWOOD	HPL
PS93	PH93

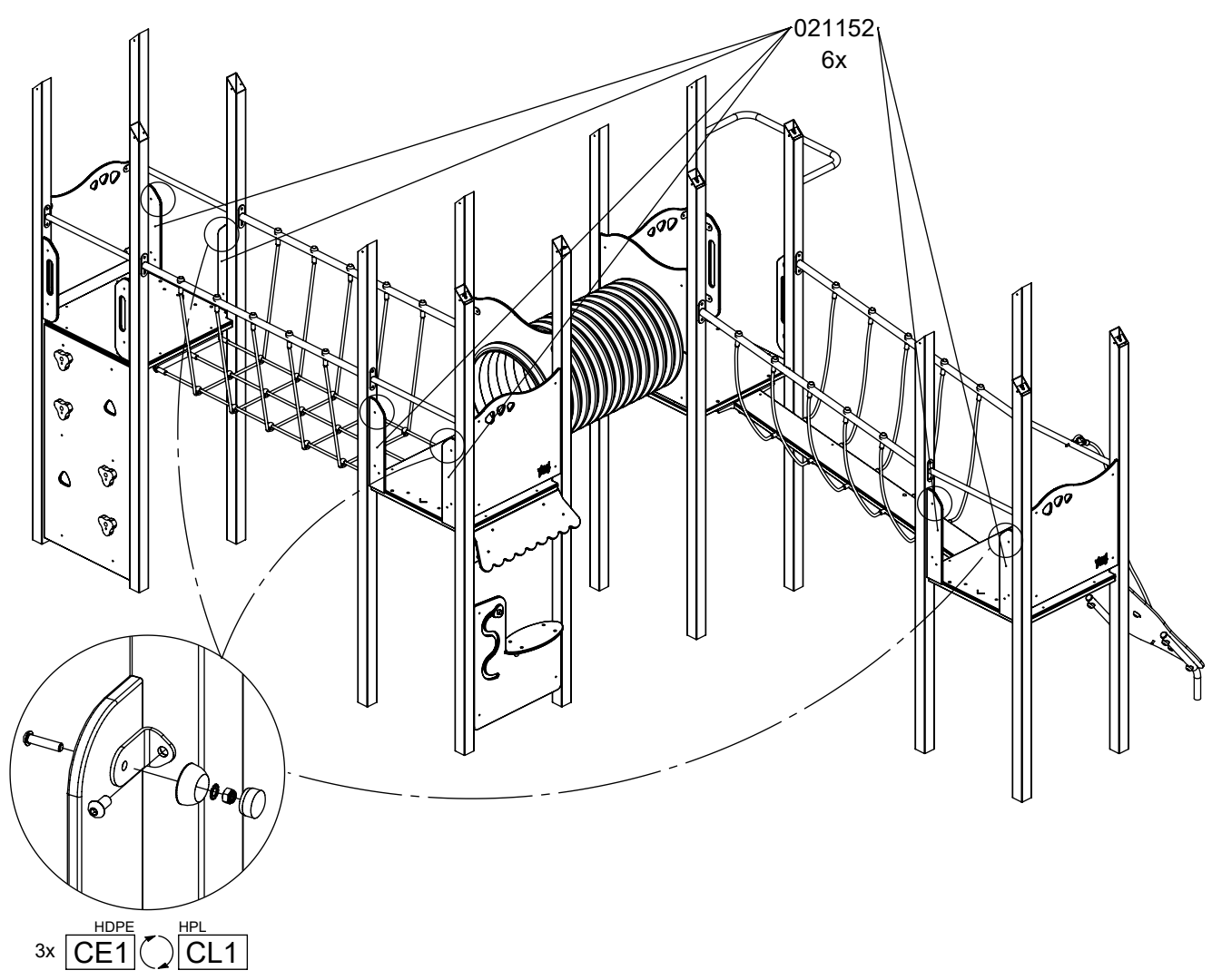
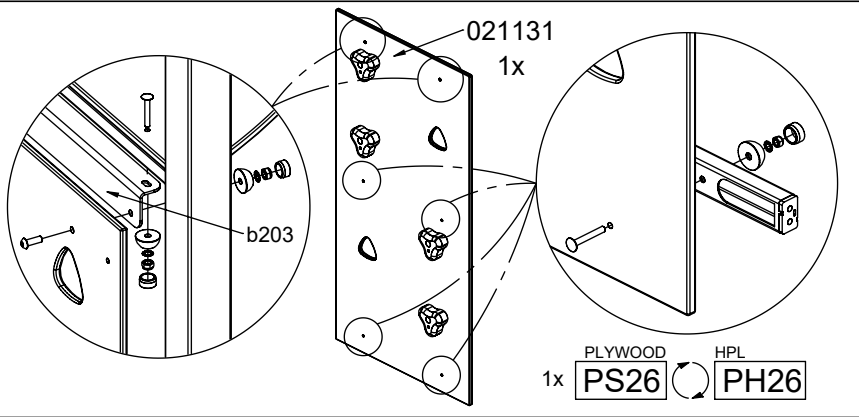
1x

HDPE	HPL
CE4	CL4

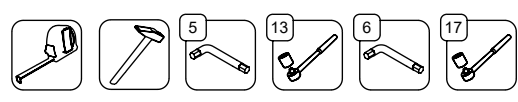
[cm]



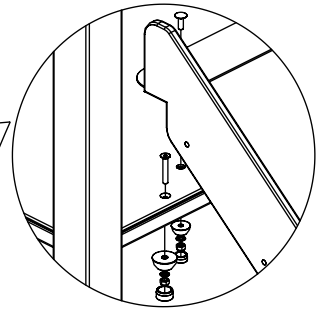
vinci
play



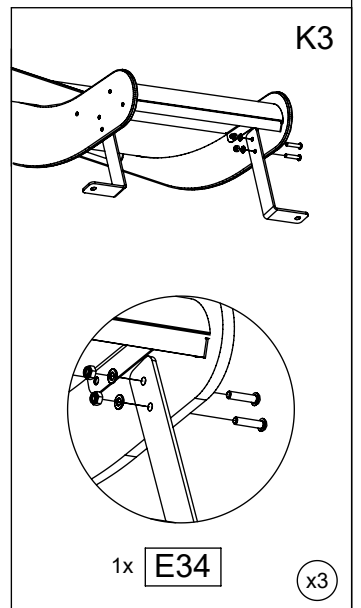
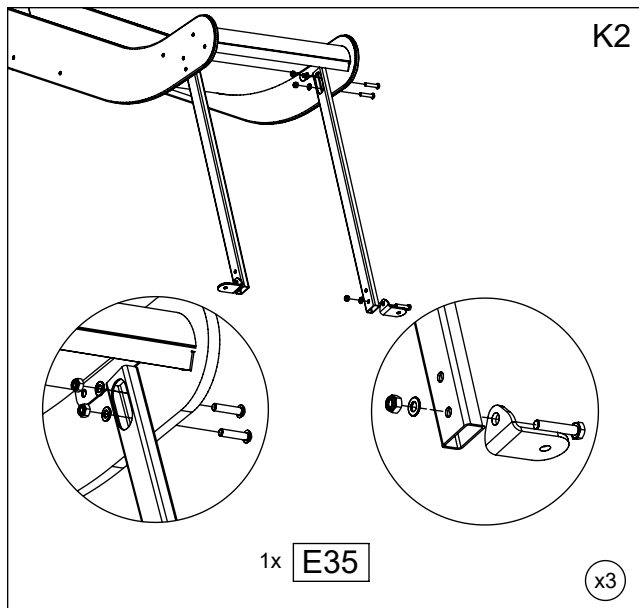
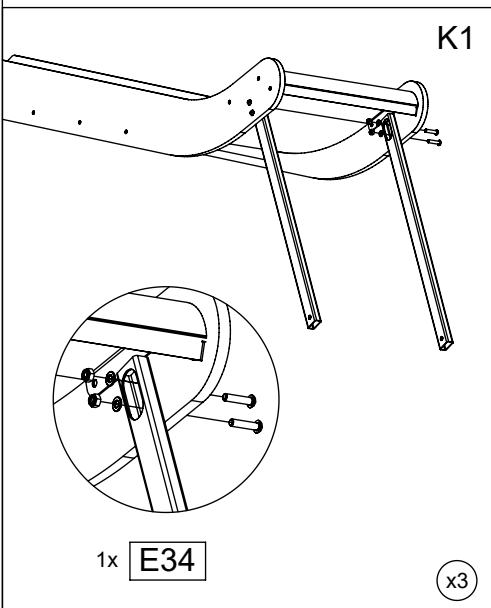
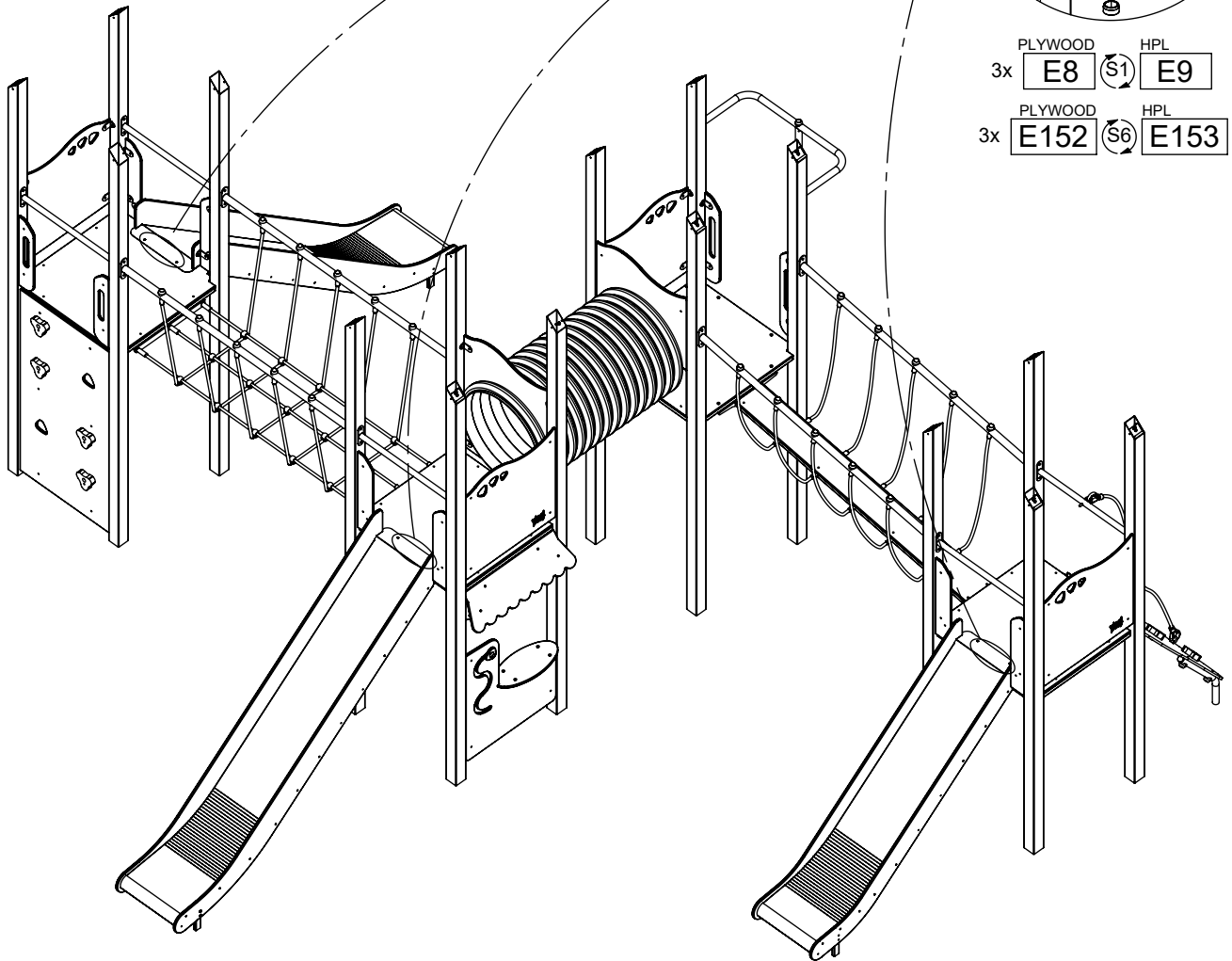
[cm]



vinci
play



PLYWOOD HPL
 3x **E8** (S1) **E9**
 PLYWOOD HPL
 3x **E152** (S6) **E153**

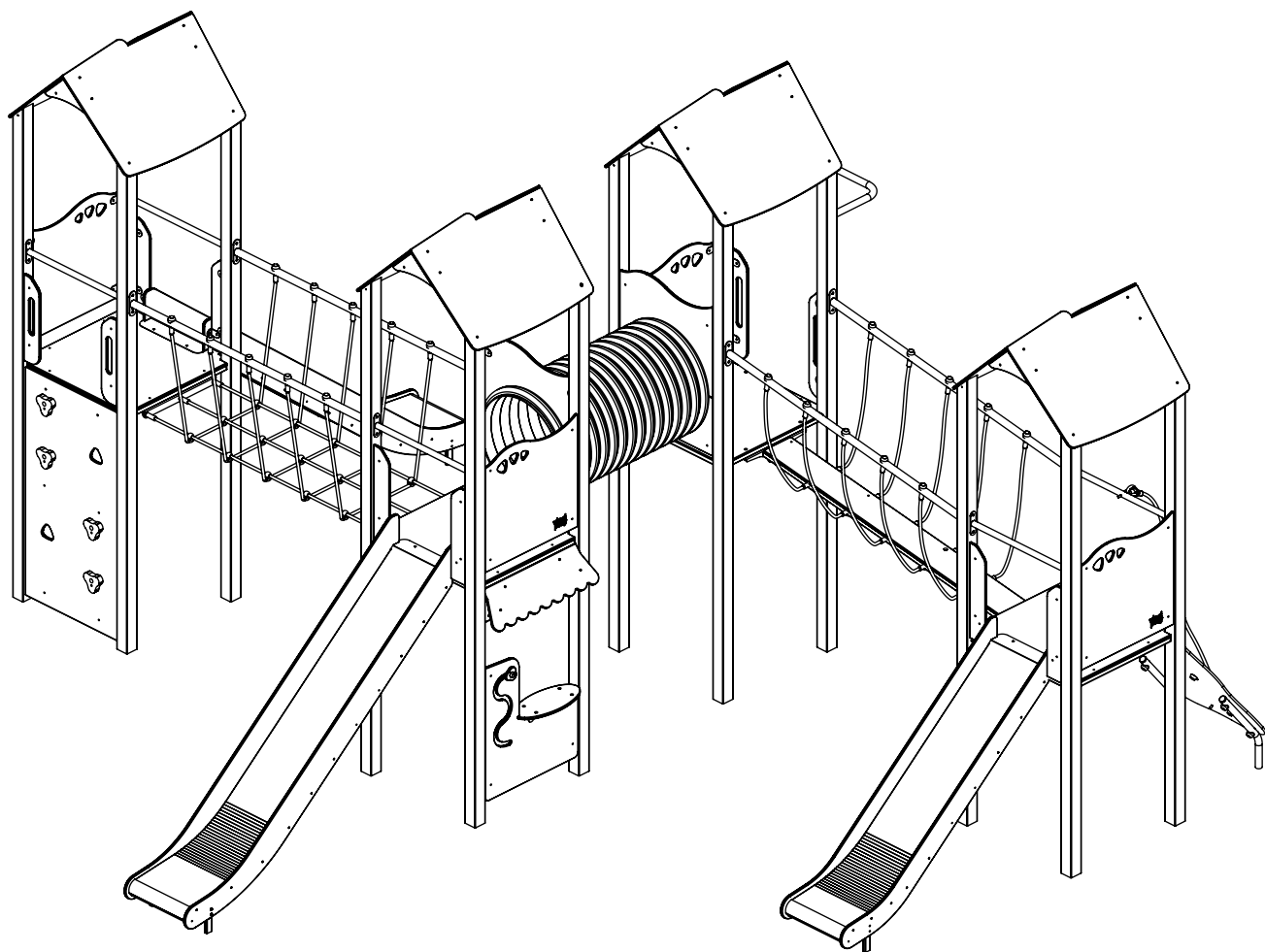
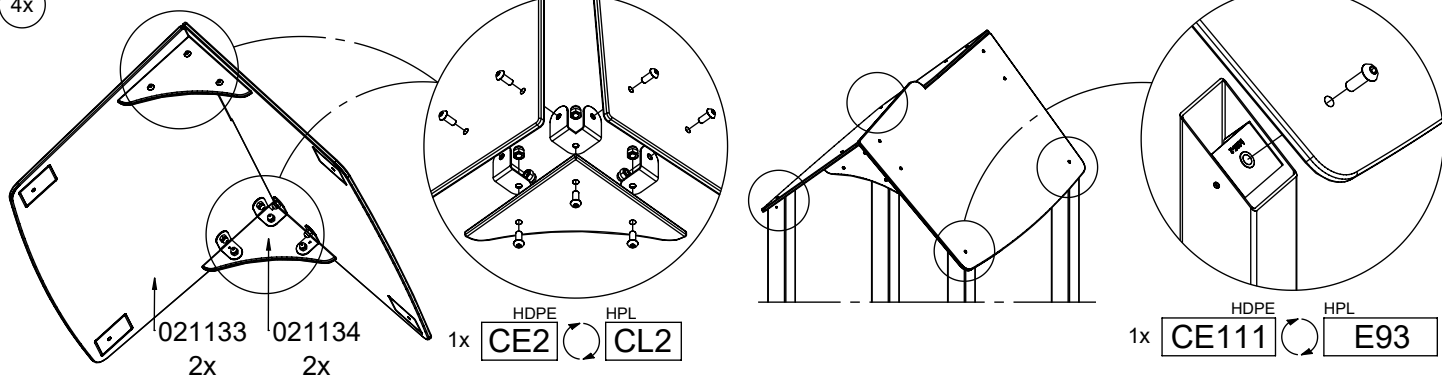


[cm]



vinci
 play

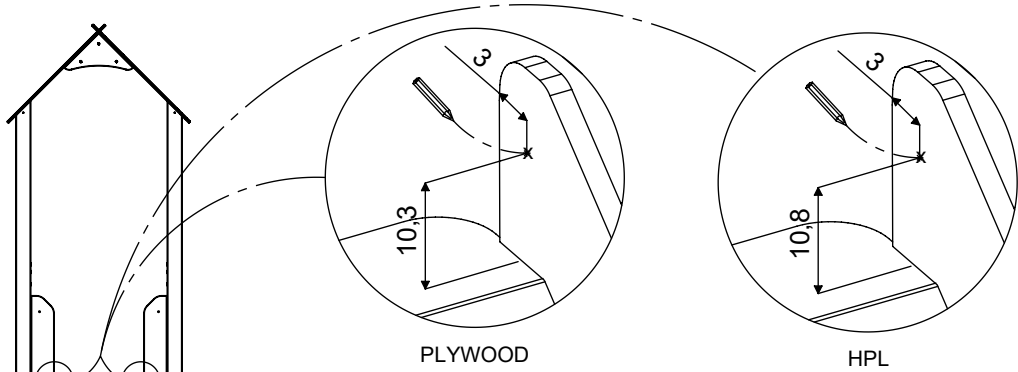
4x



[cm]

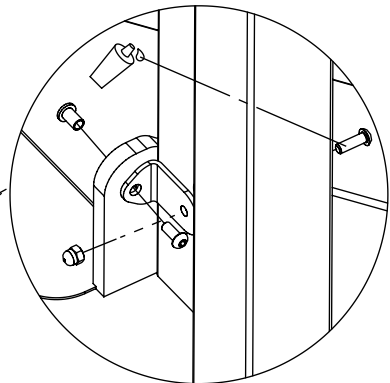
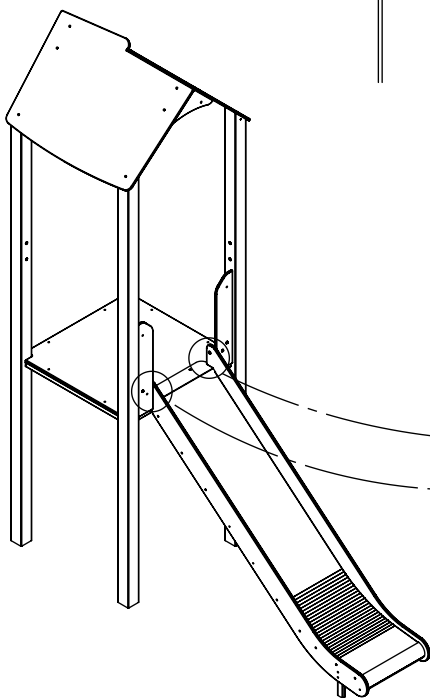
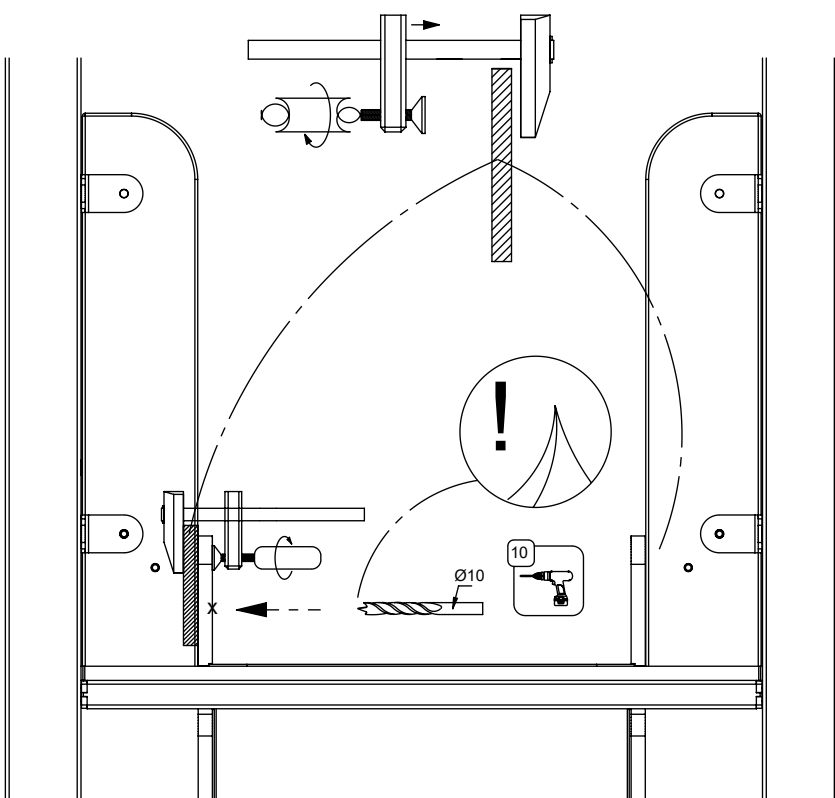


vinci play



PLYWOOD

HPL

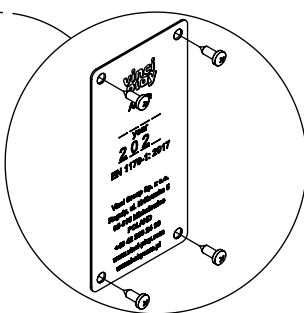
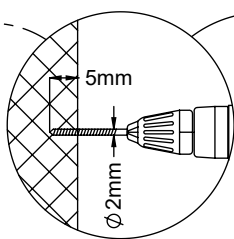
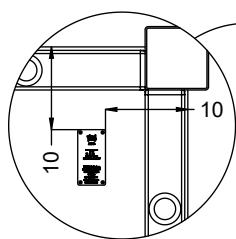
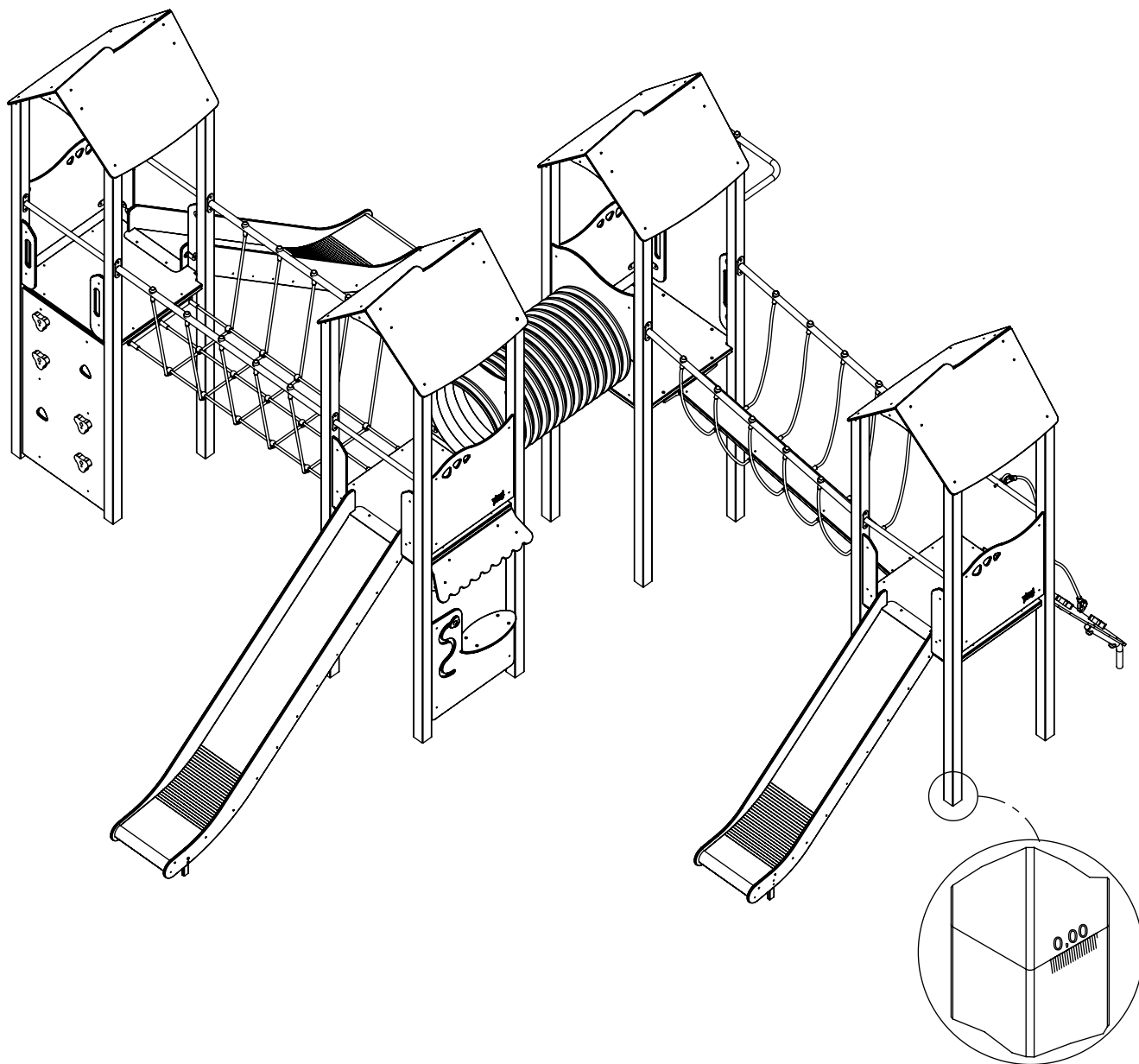


1x

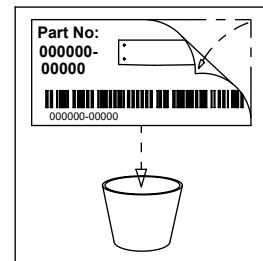
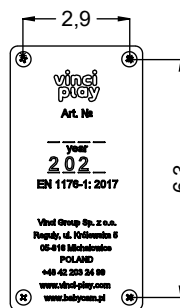
HDPE	HPL
CE31	CL31



[cm]



V001



[cm]



vinci
play