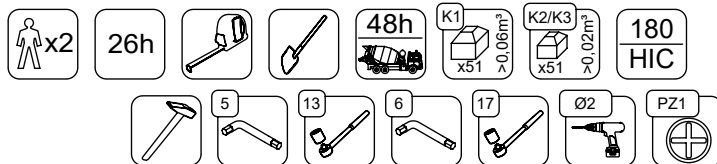
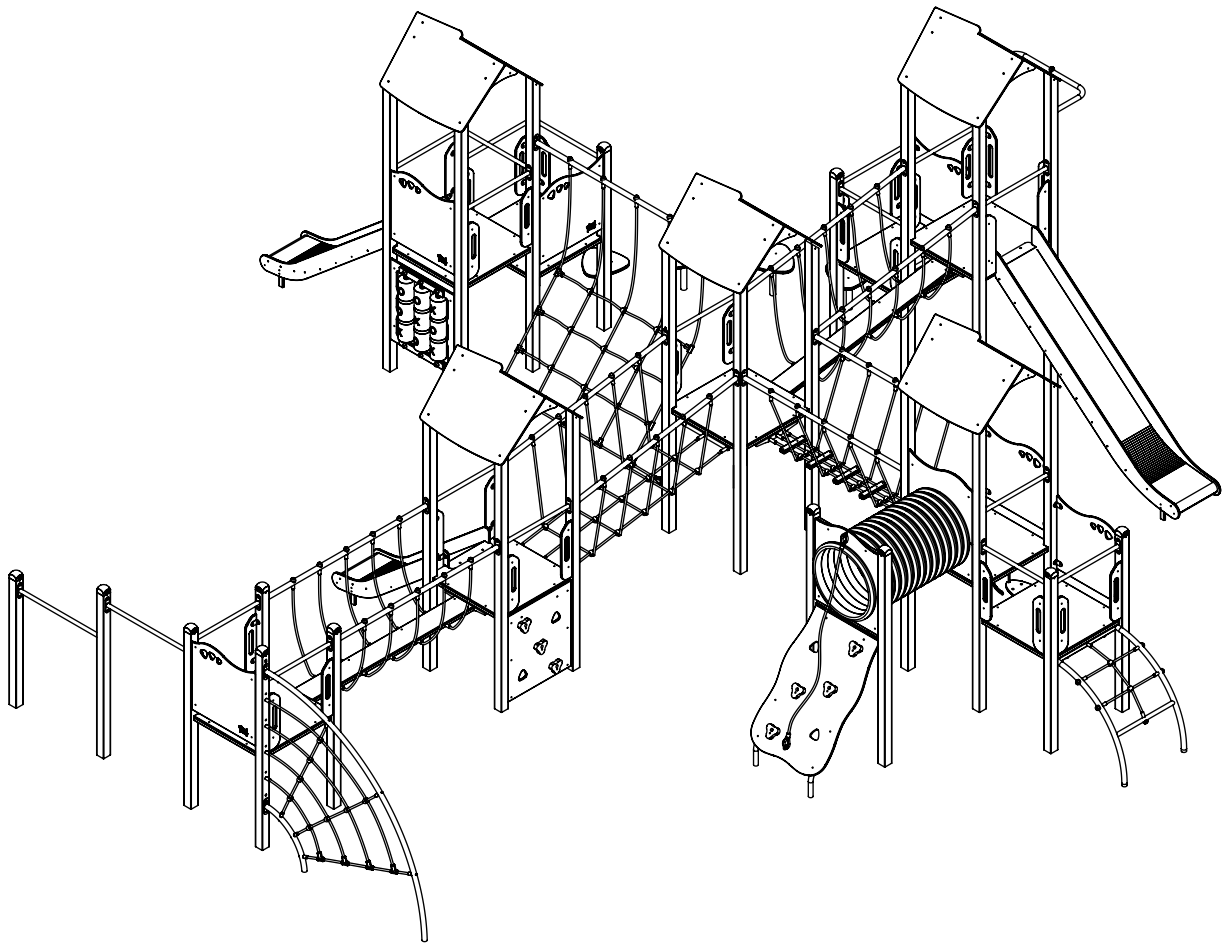
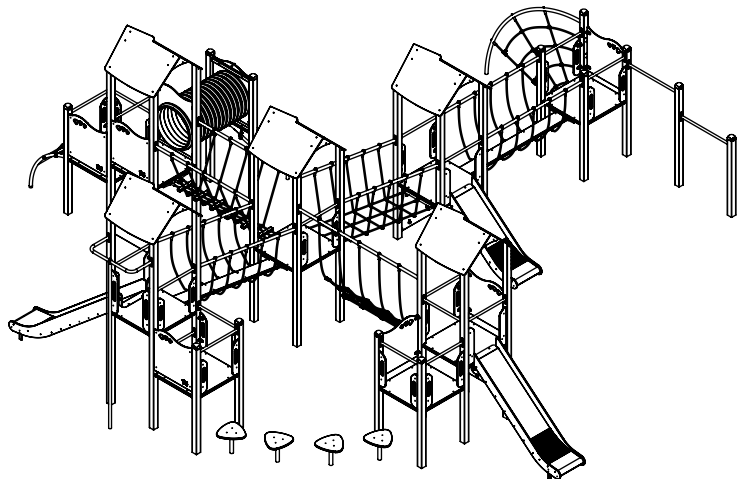
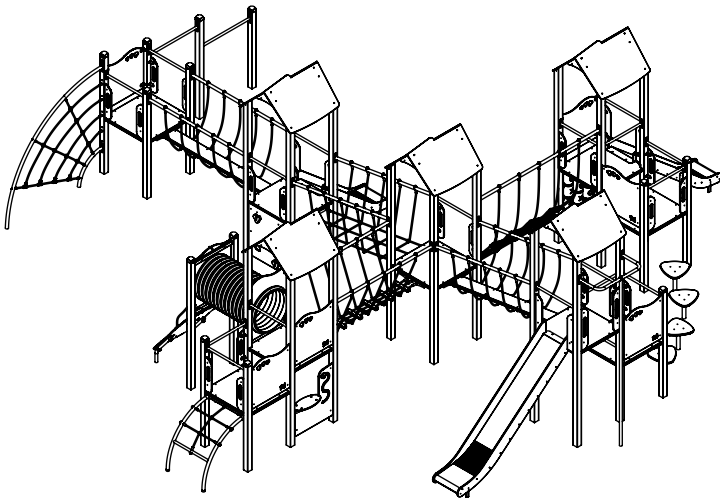
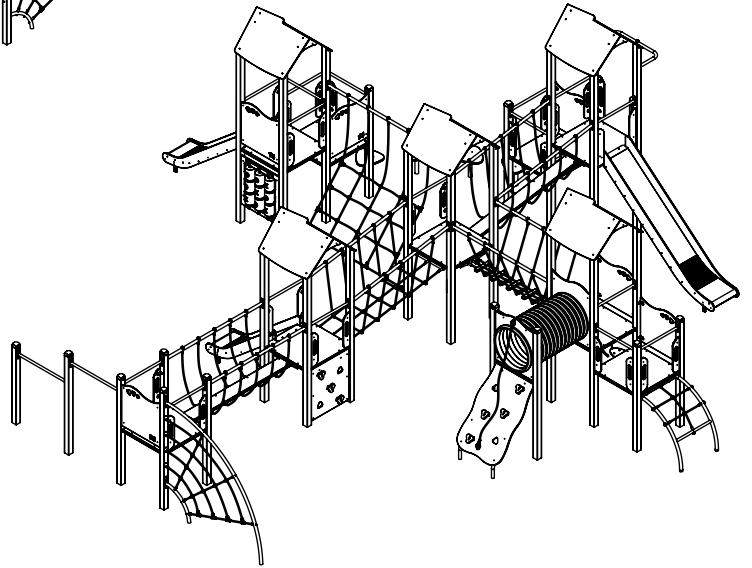
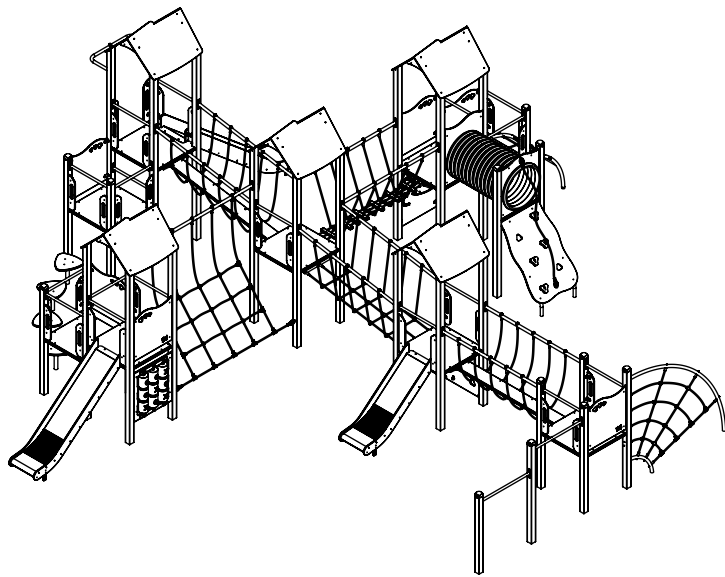


# 0210-1



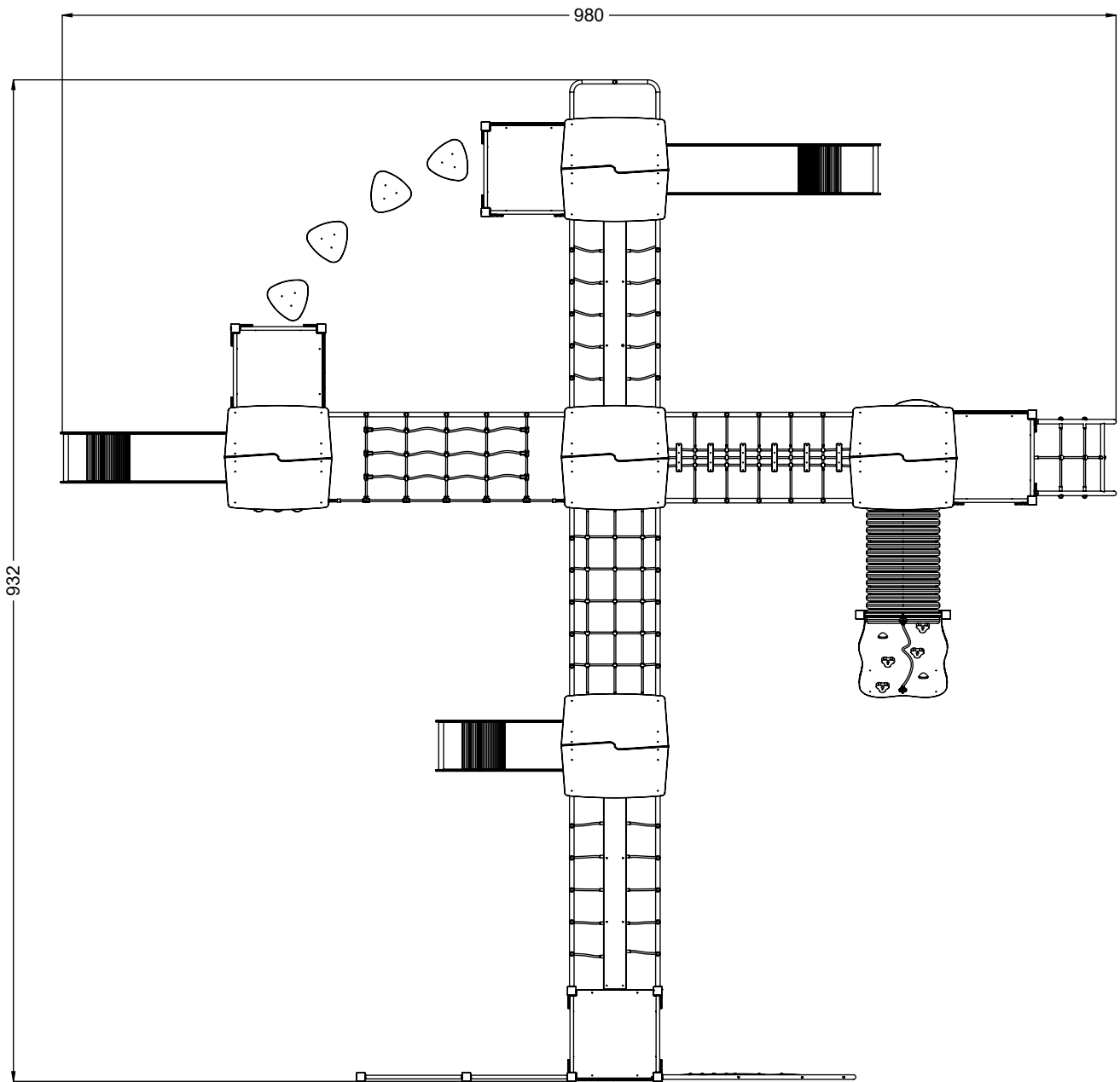
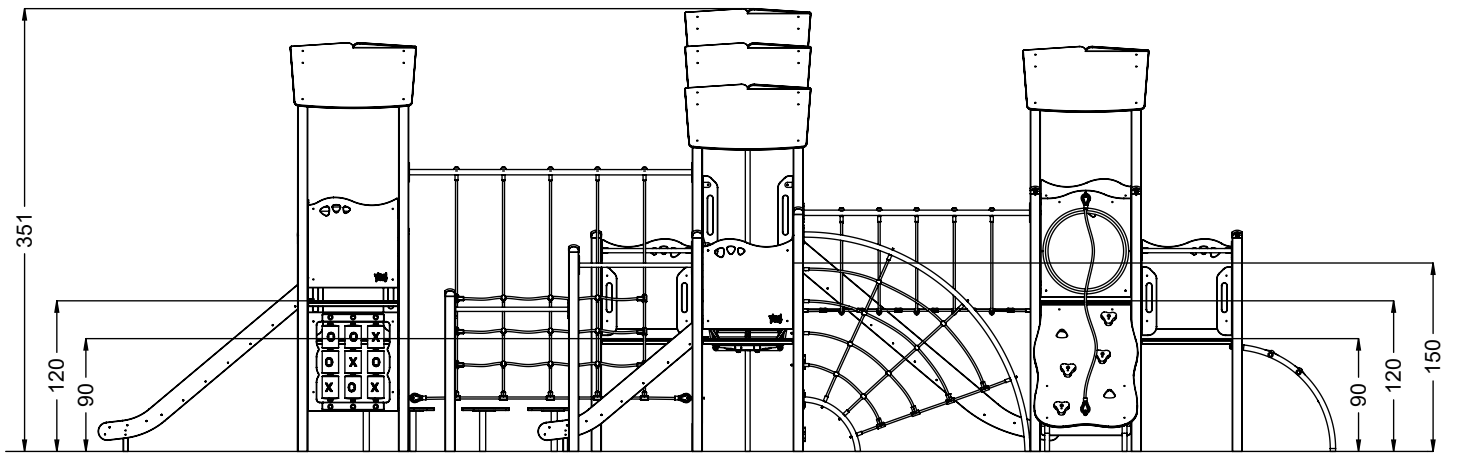
v016  
28.12.2023  
B.N.  
[cm]

vinci  
play



[cm]

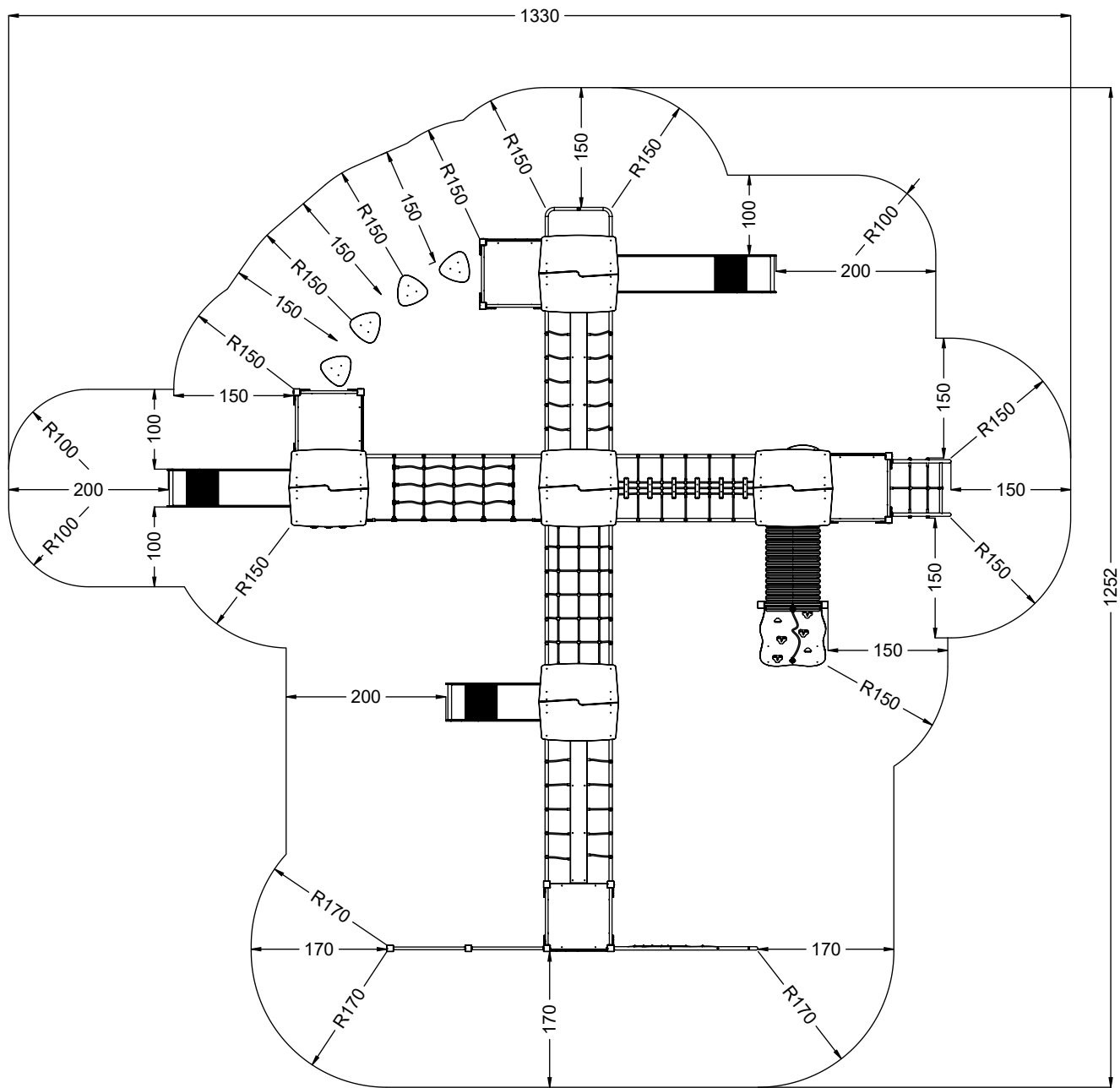
vinci  
play



[cm]



vinci  
play

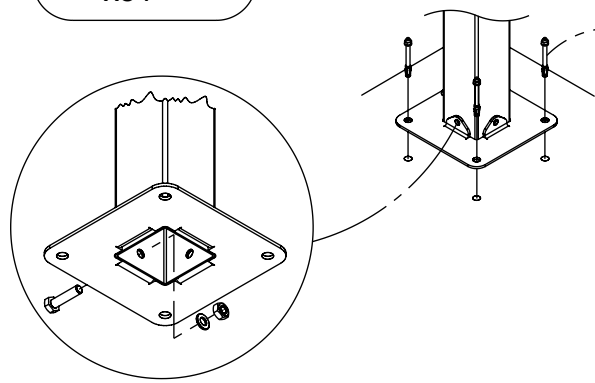
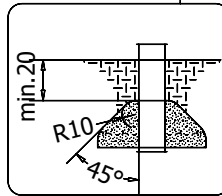
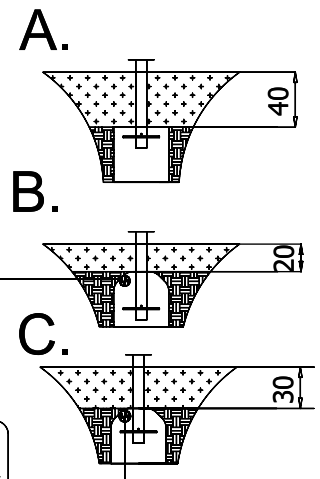
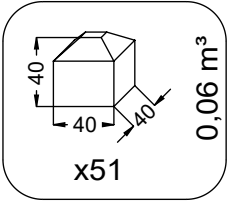
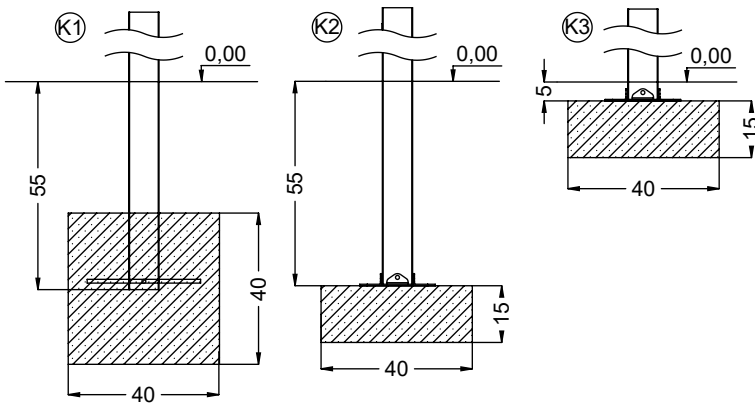




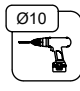
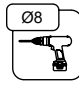


[cm]

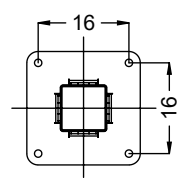


vinci  
play





78x M10x120 (K2)	12x M8x120 (K2)
82x M10x120 (K3)	8x M8x120 (K3)
	
	
<b>NOT INCLUDED</b>	<b>NOT INCLUDED</b>
	



E37

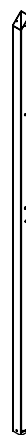
[cm]

 x2  
  26h  
   
   
  48h  
  K1 x51 >0.06m³  
  K2/K3 x51 >0.02m³

vinci play



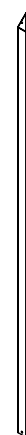
210A  
x1



210B  
x1



210C  
x1



210D  
x1



210E  
x1



210F  
x1



210I  
x1



210J  
x1



210H  
x1



210G  
x1



210K  
x1



210L  
x1



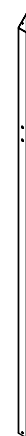
210M  
x1



210N  
x1



210O  
x1



210P  
x1



210R  
x1



210S  
x1



210T  
x1



210U  
x1



210V  
x1



210W  
x1



210X  
x1



210Y  
x1



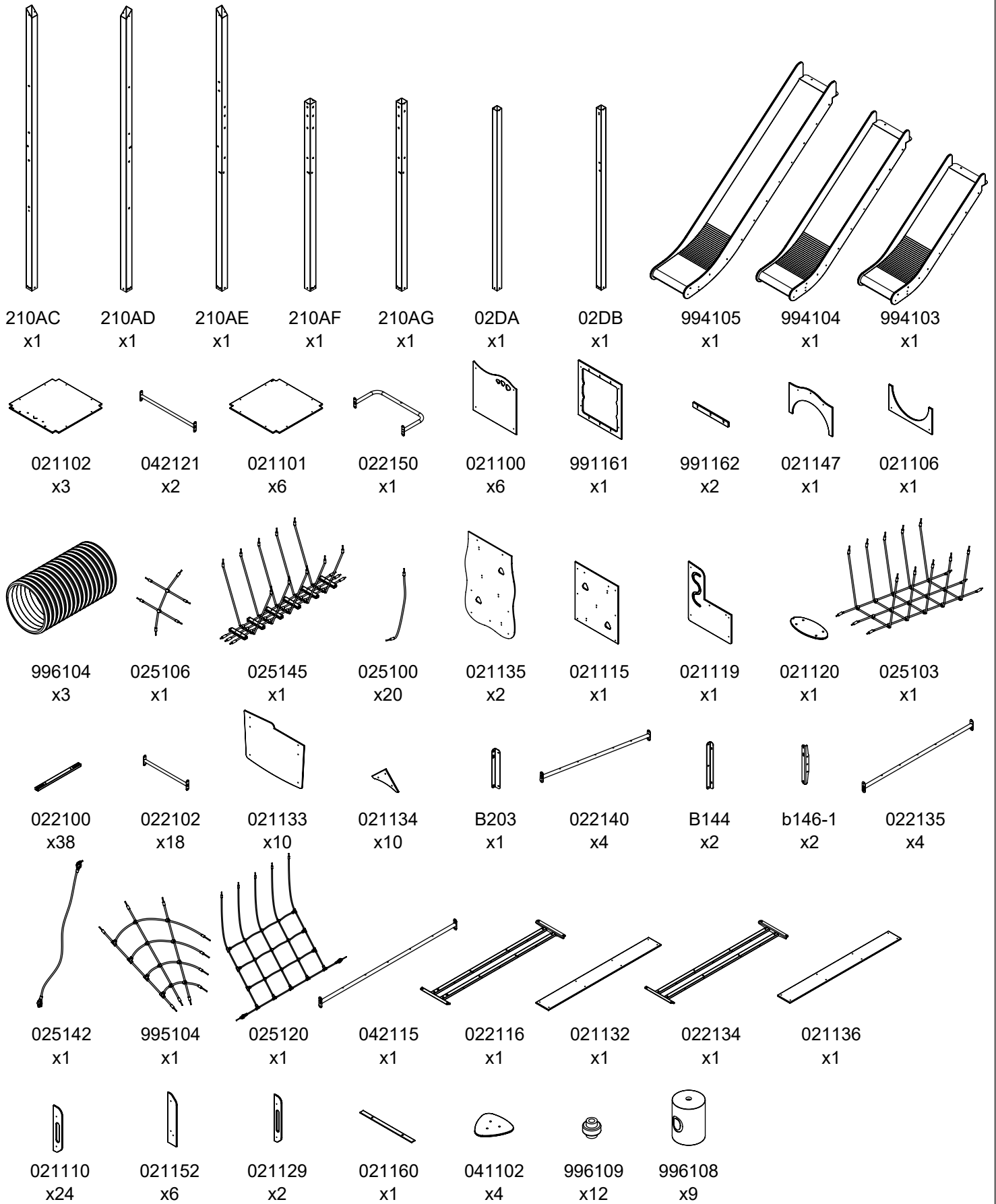
210Z  
x1



210AA  
x1

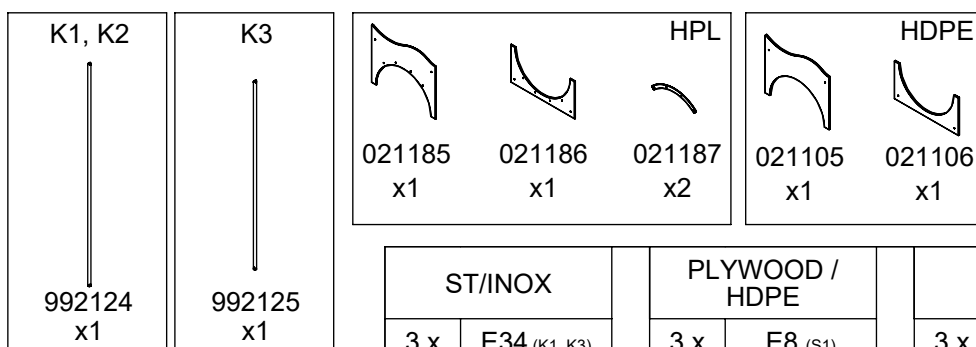
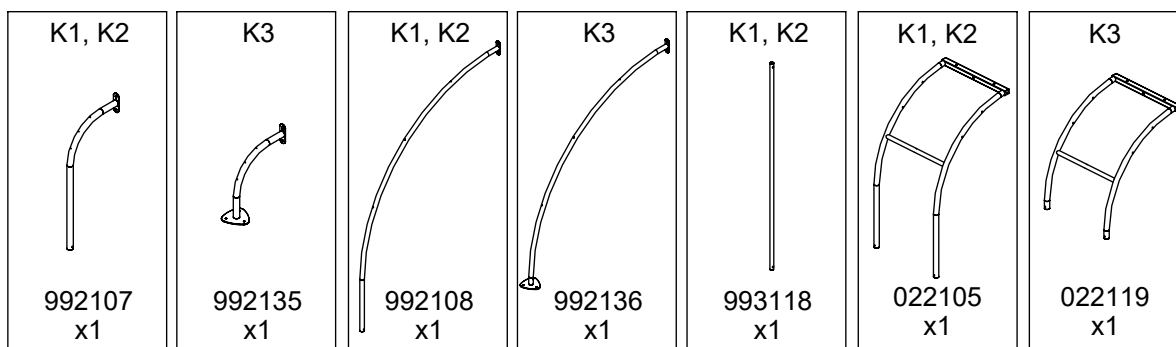
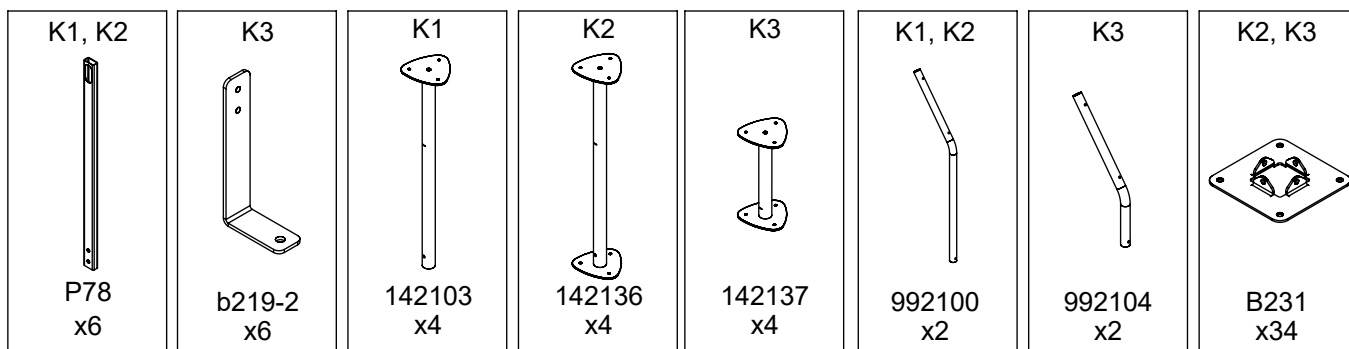


210AB  
x1



[cm]

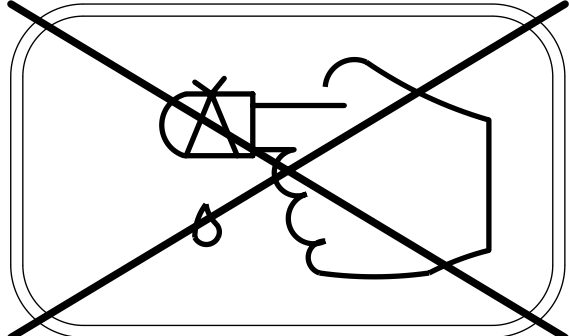
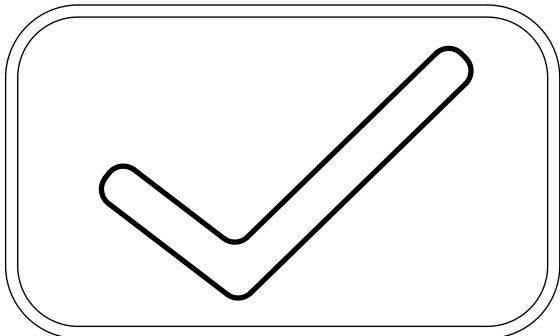
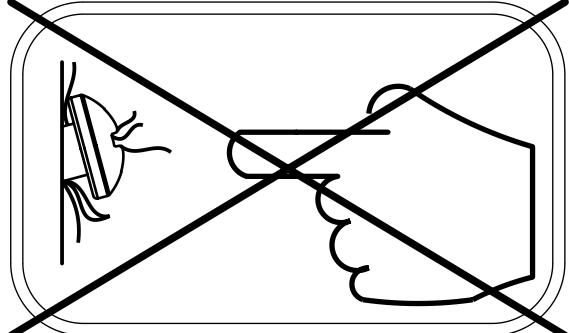
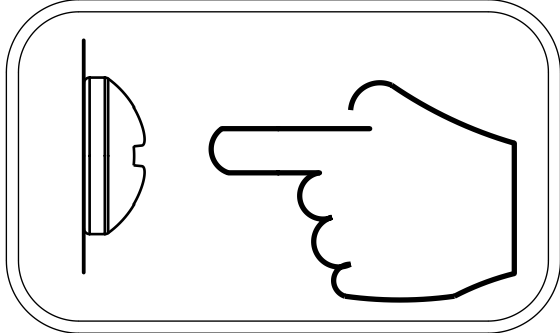
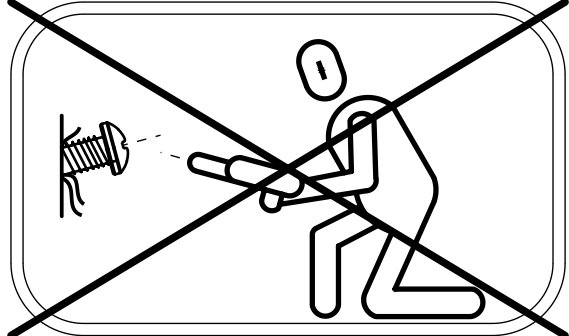
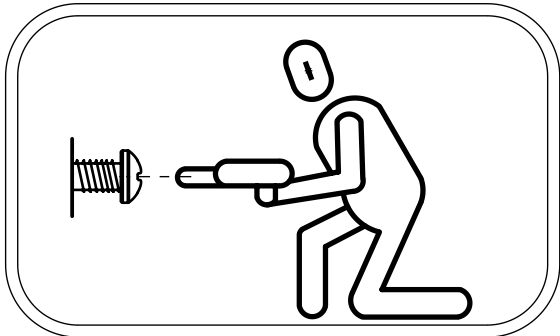
vinci  
play

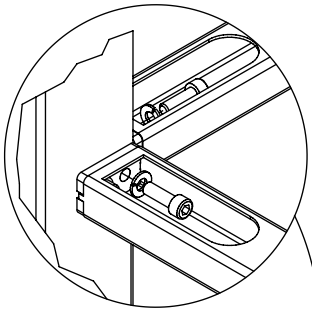


ST/INOX		PLYWOOD / HDPE		HPL	
3 x	E34 (K1, K3)	3 x	E8 (S1)	3 x	E9 (S1)
1 x	E40 (K1)	3 x	E152 (S6)	3 x	E153 (S6)
3 x	E35 (K2)	9 x	CE1	9 x	CL1
	E37 (K2, K3)	1 x	PS1	1 x	PH1
1 x	E38 (K2, K3)	5 x	CE2	5 x	CL2
2 x	E88 (K2, K3)	1 x	PS2	1 x	PH2
1 x	E175 (K2)	4 x	PS3	4 x	PH3
1 x	V001	16 x	CE4	16 x	CL4
31 x	E1	1 x	E4	2 x	PH4
9 x	E3	2 x	PS4	1 x	E5
4 x	E28	1 x	CE6	1 x	CL6
1 x	E39	1x	CE19	1x	CL19
1 x	E42	1 x	PS91	1 x	PH91
1 x	E48	2x	PS22	2x	PH22
1 x	E50	1 x	PS24	1 x	PH24
2 x	E51	3 x	CE31	3 x	CL31
1 x	E85	4 x	PS31	4 x	PH31
1 x	E54	1 x	CE40	1 x	CL40
1 x	E89	4 x	PS50	4 x	PH50
1x	E238	1 x	PS55	1 x	PS55
		5 x	CE111	5 x	E93
				1 x	E130

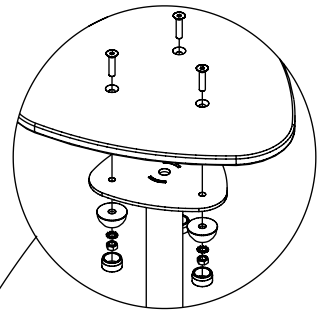
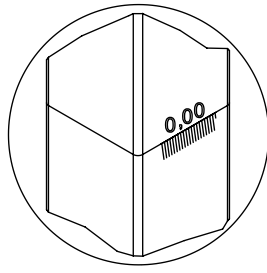
[cm]

vinci  
play

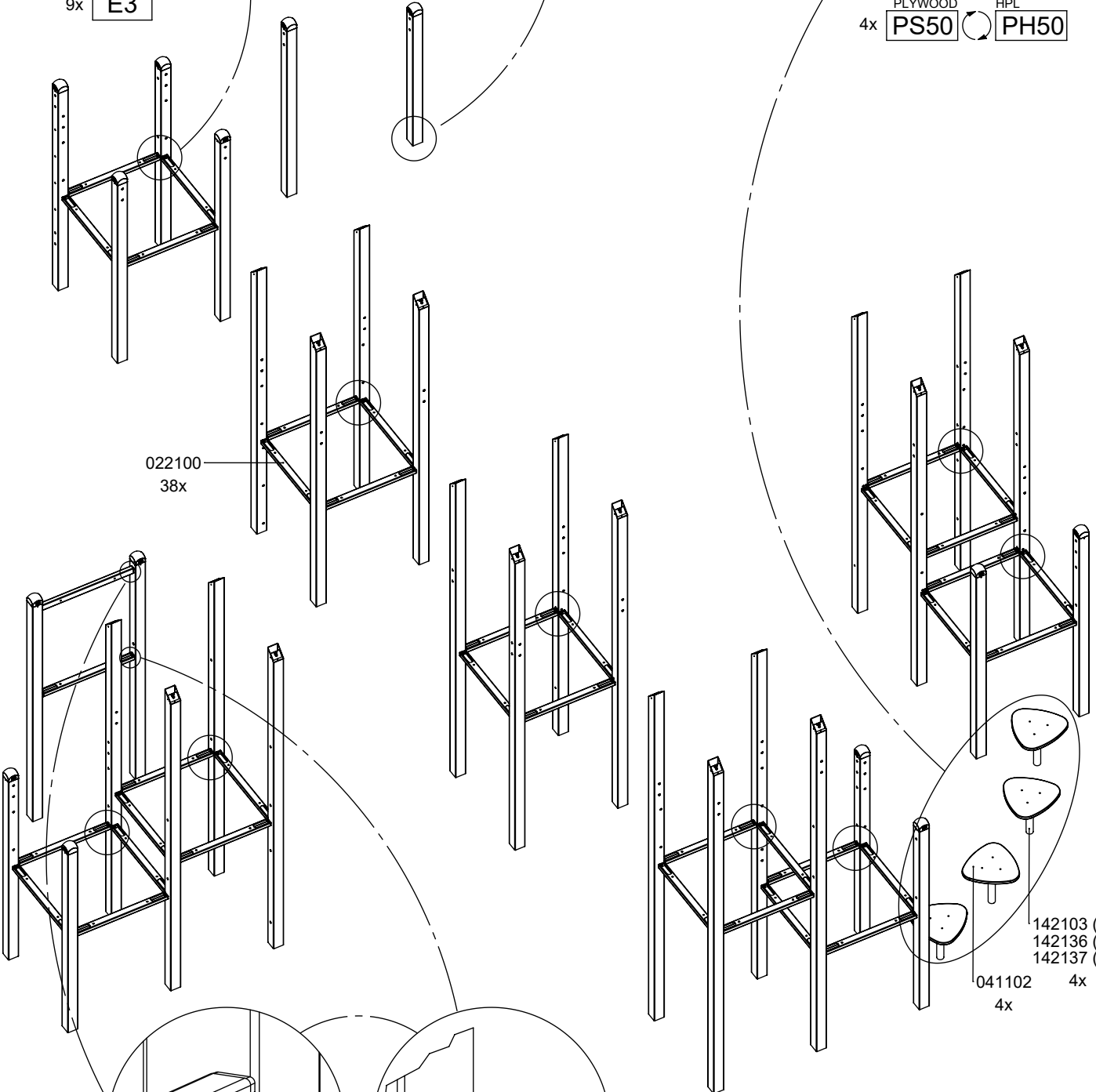




9x **E3**

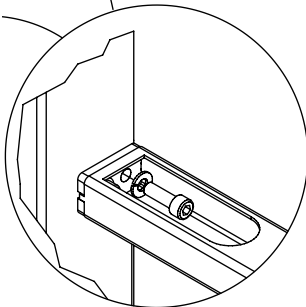
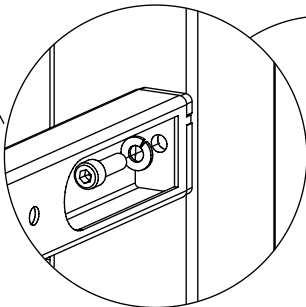


PLYWOOD PS50 HPL PH50  
4x

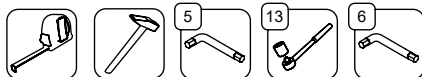


022100  
38x

142103 (K1)  
142136 (K2)  
142137 (K3)  
041102 4x  
4x

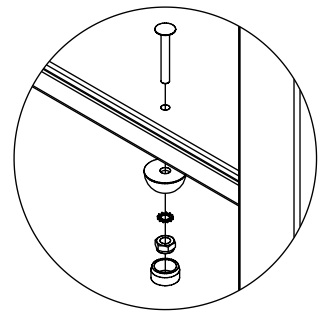
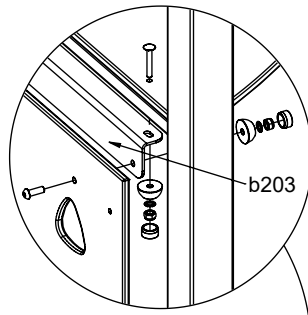


1x **E42**



[cm]

vinci  
play



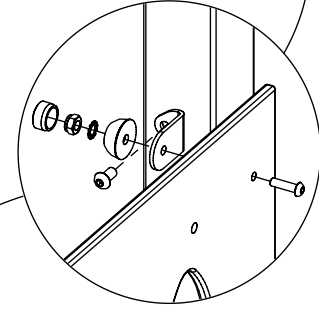
PLYWOOD PS24  
HPL PH24  
1x

PLYWOOD PS2  
HPL PH2

PLYWOOD PS3  
HPL PH3

PLYWOOD PS4  
HPL PH4

PLYWOOD PS1  
HPL PH1



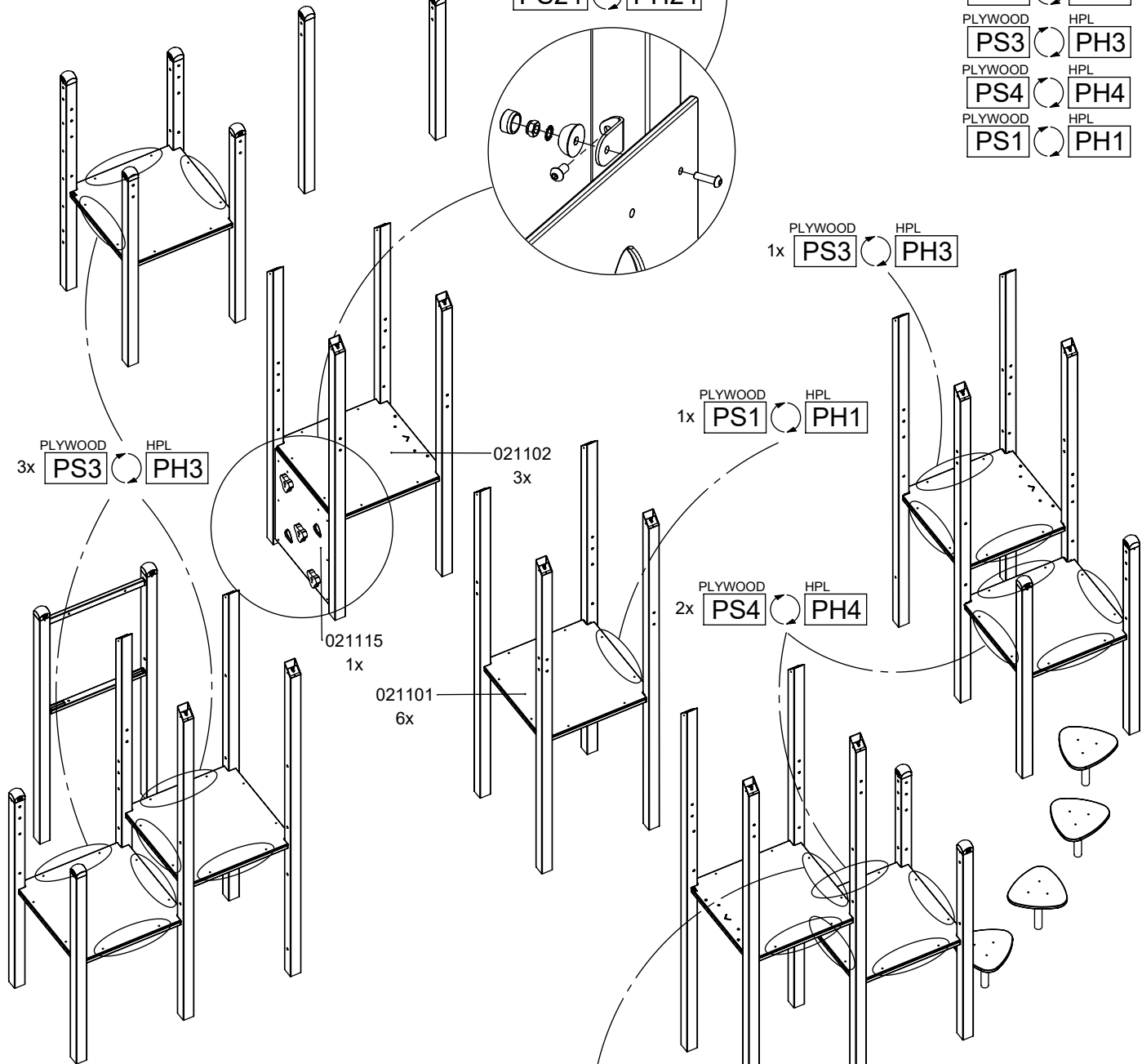
PLYWOOD PS3  
HPL PH3  
1x

PLYWOOD PS1  
HPL PH1  
1x

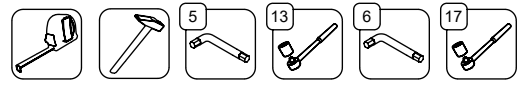
PLYWOOD PS4  
HPL PH4  
2x

PLYWOOD PS3  
HPL PH3  
3x

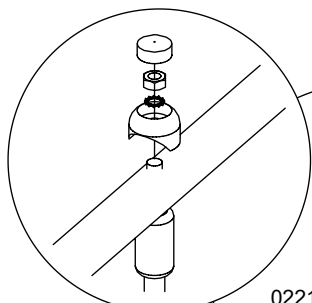
PLYWOOD PS2  
HPL PH2  
1x



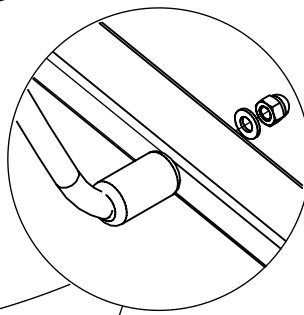
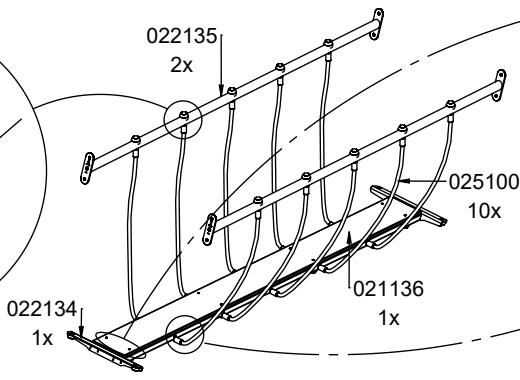
vinci play



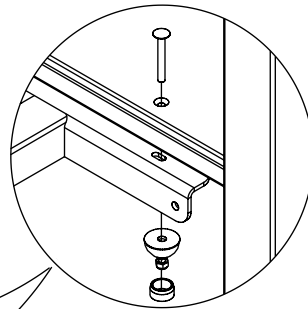
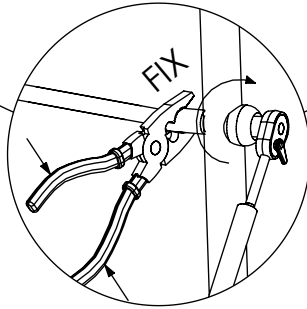
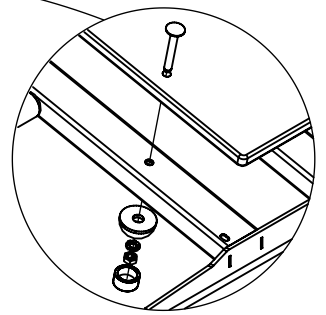
[cm]



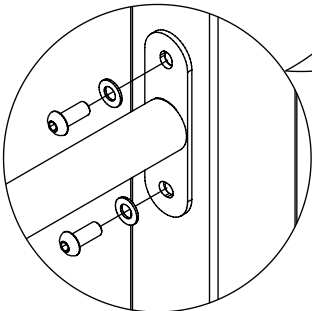
1x **E28**



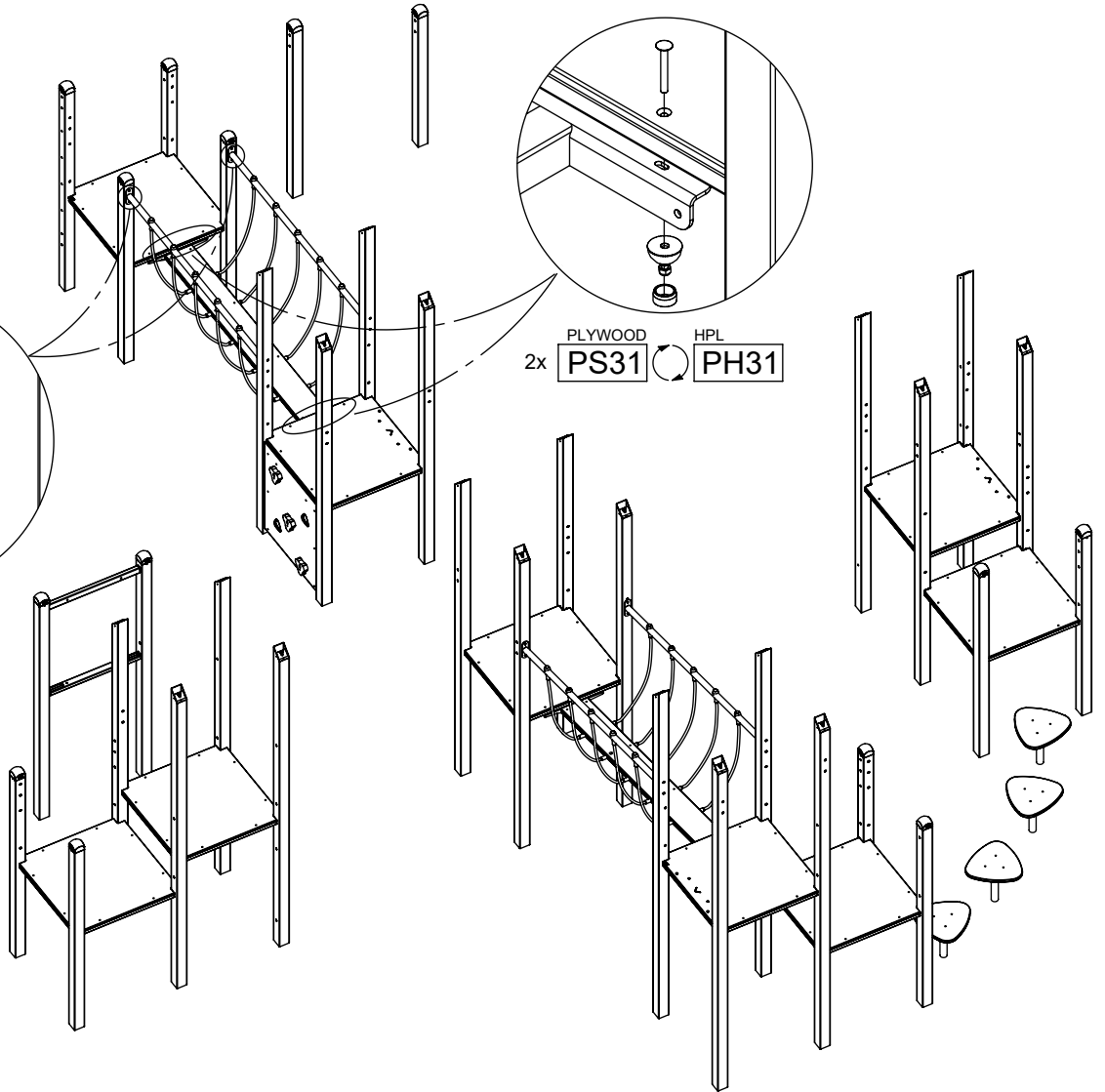
PLYWOOD PS22  
HPL PH22  
1x



PLYWOOD PS31  
HPL PH31  
2x



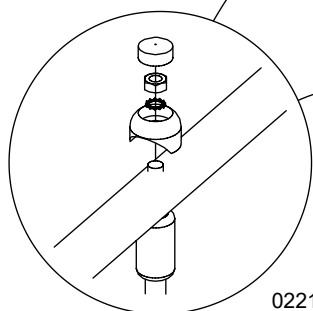
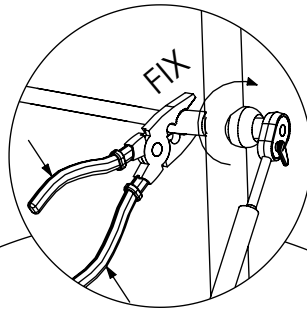
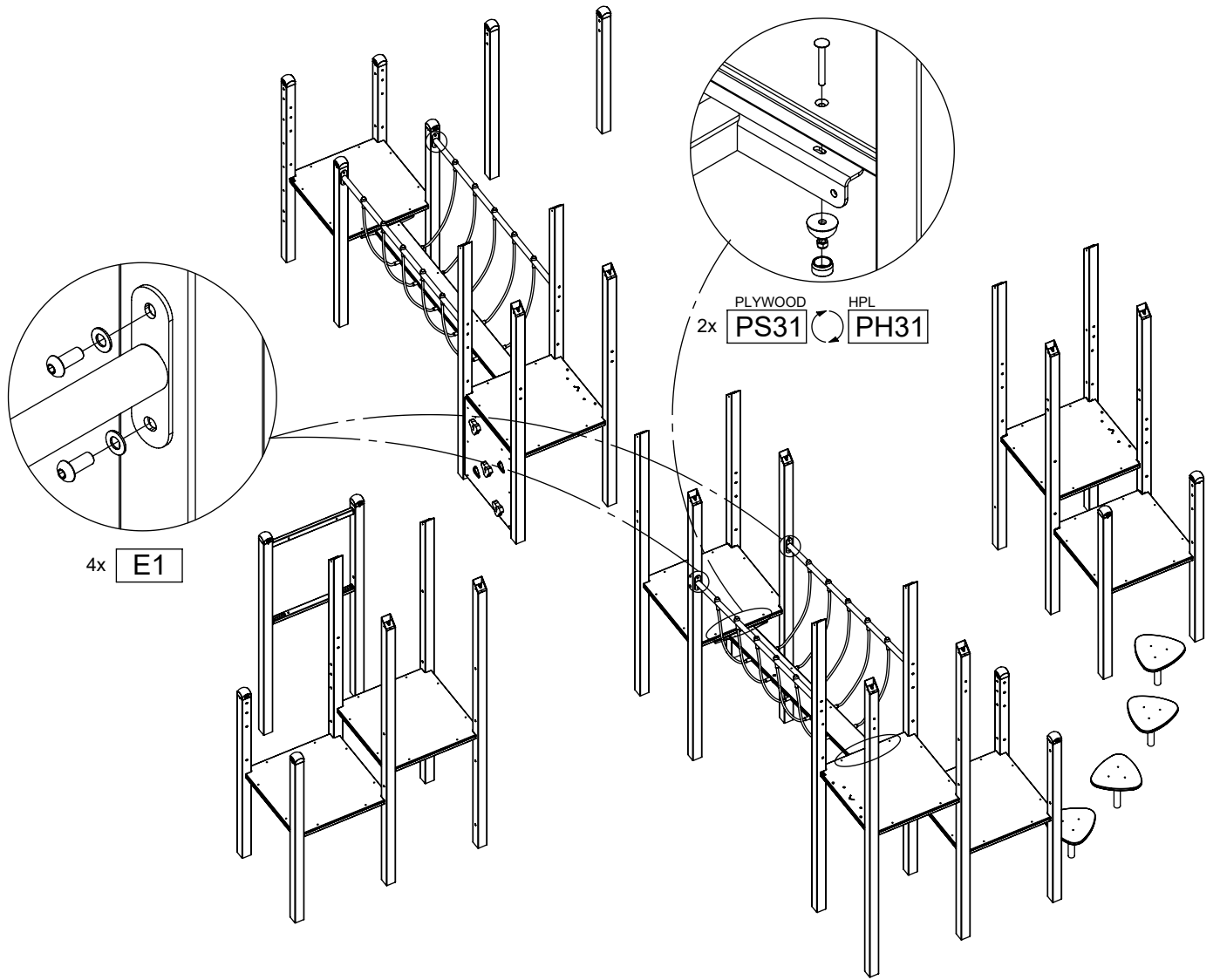
4x **E1**



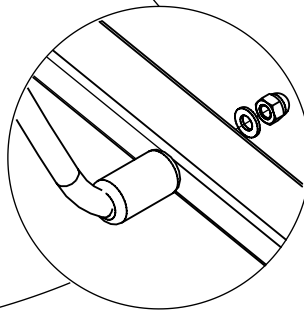
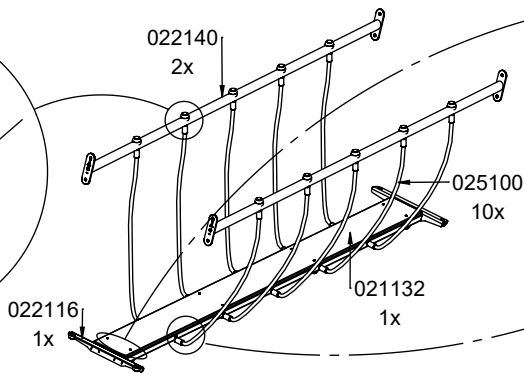
[cm]



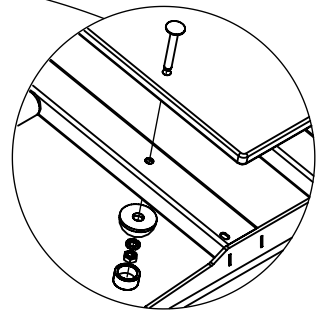
vinci  
play



1x **E28**



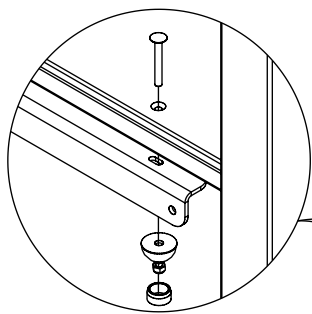
1x PLYWOOD **PS22** HPL **PH22**



[cm]

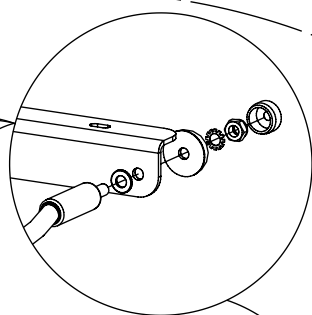
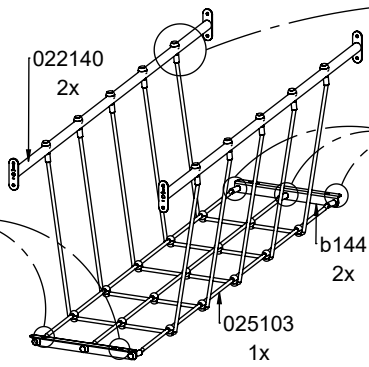


vinci  
play

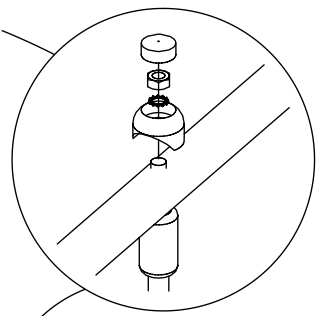


PLYWOOD  
1x PS31

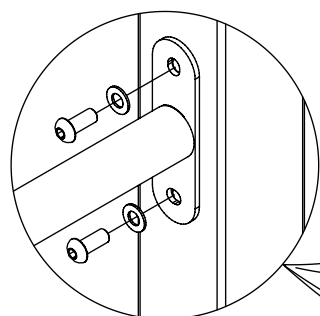
HPL  
1x PH31



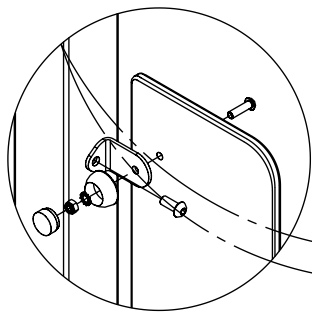
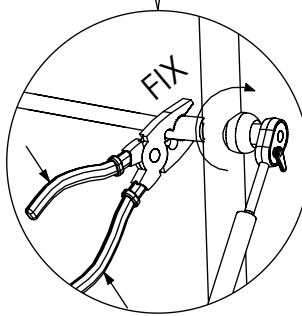
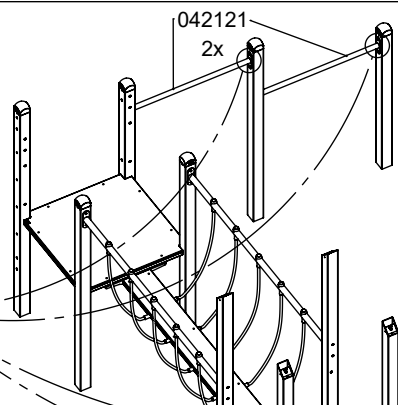
1x E51



1x E28

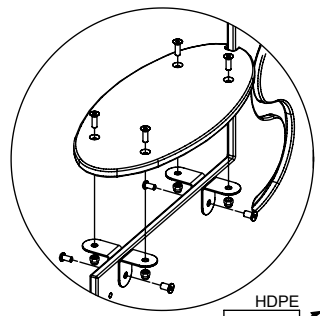
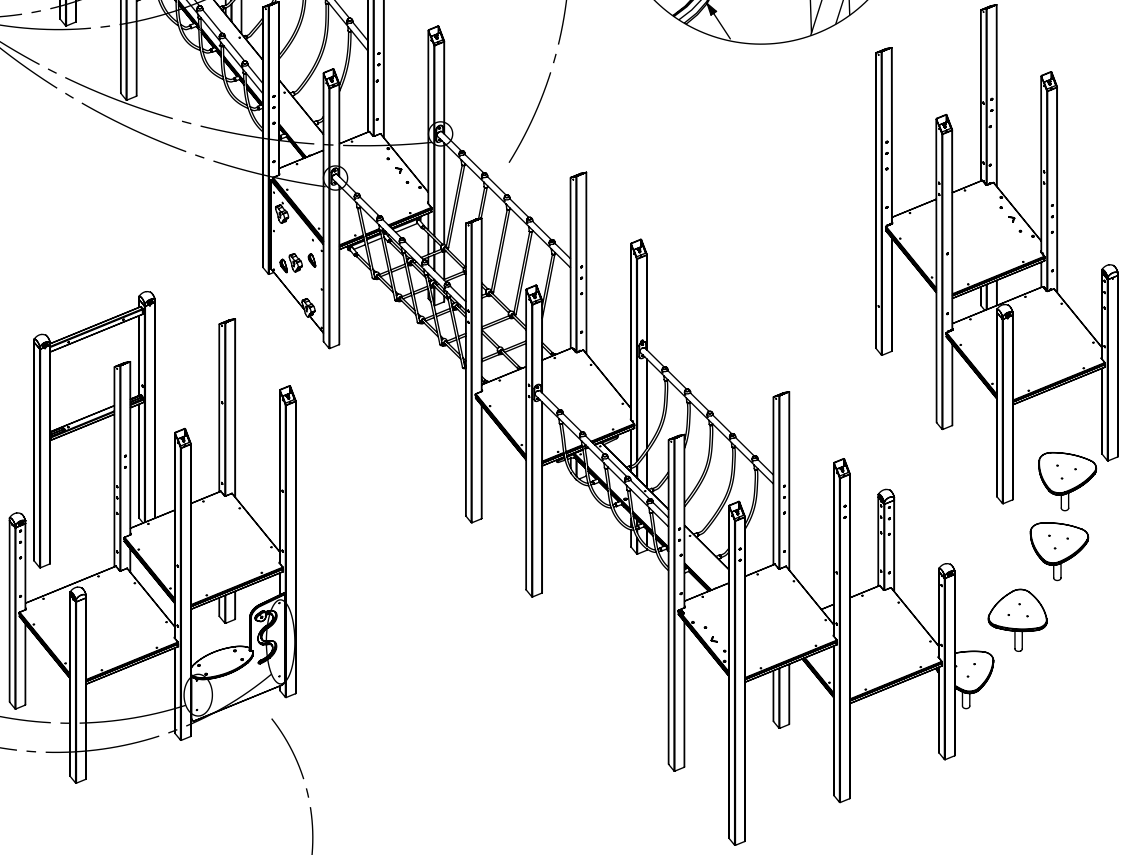


4x E1



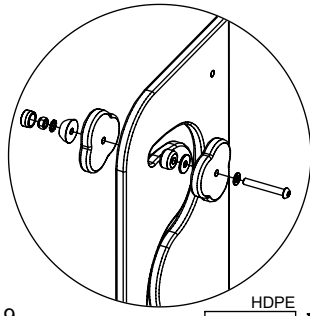
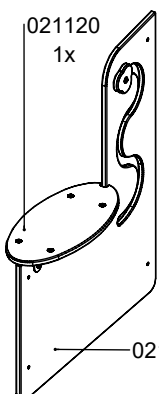
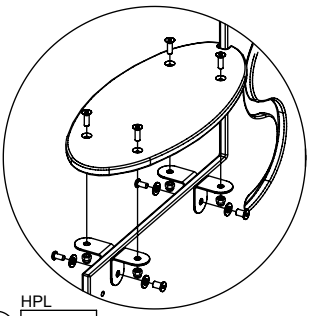
HDPE  
1x CE4

HPL  
1x CL4



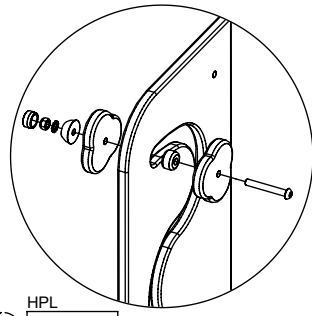
HDPE  
1x CE6

HPL  
1x CL6

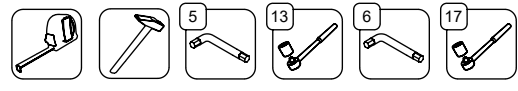


HDPE  
1x CE40

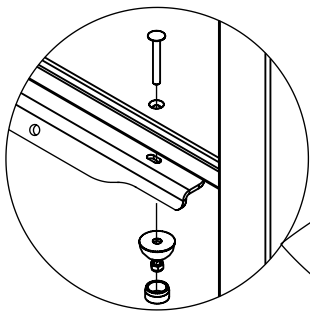
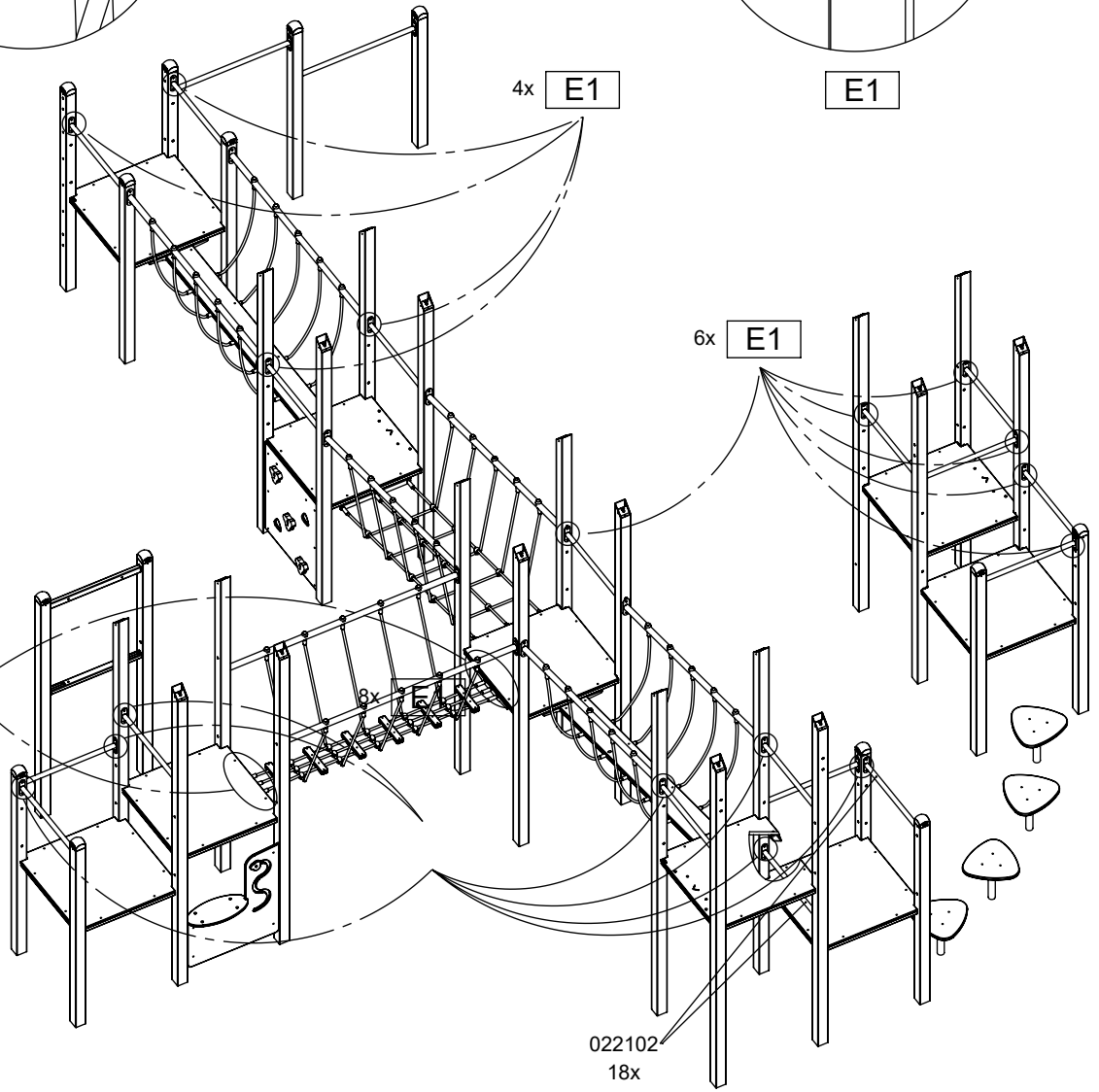
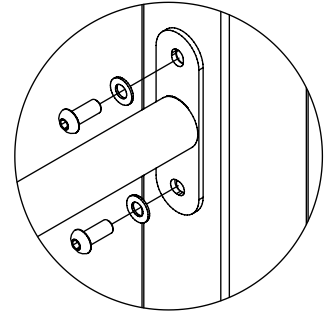
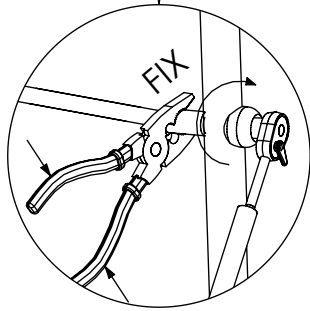
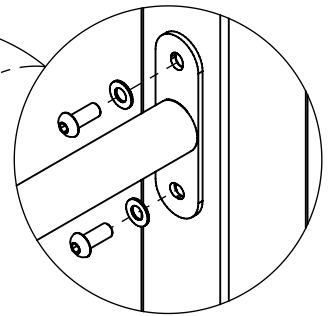
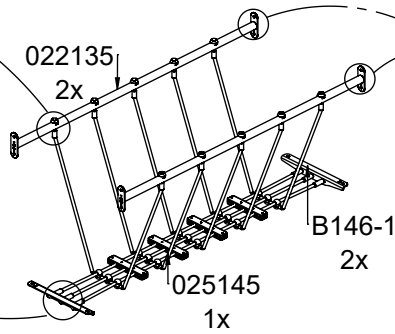
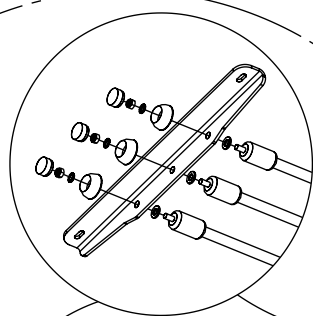
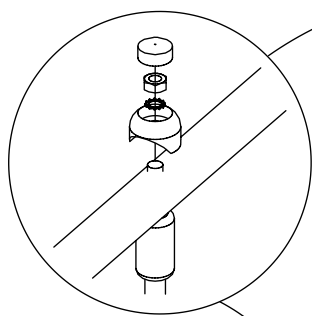
HPL  
1x CL40



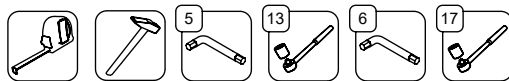
[cm]



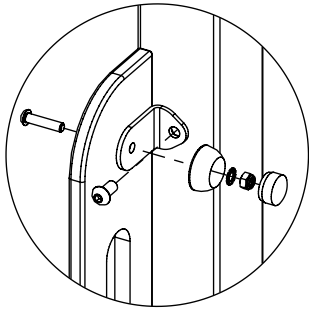
vinci  
play



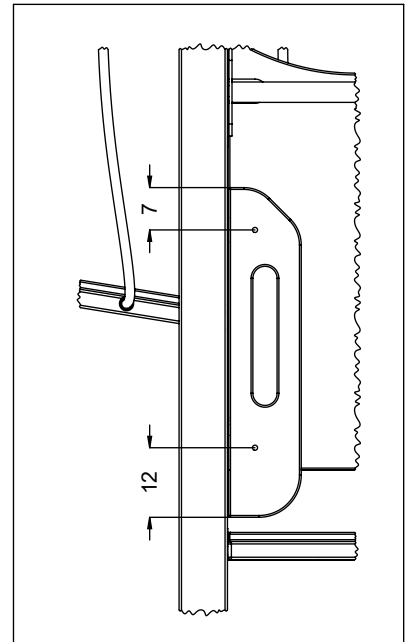
[cm]



vinci  
play



HDPE HPL  
CE4 CL4



2x HDPE HPL  
CE4 CL4

5x HDPE HPL  
CE4 CL4

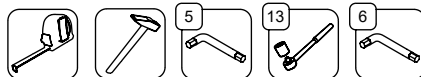
2x HDPE HPL  
CE4 CL4

021110  
24x

021129  
2x

4x HDPE HPL  
CE4 CL4

[cm]

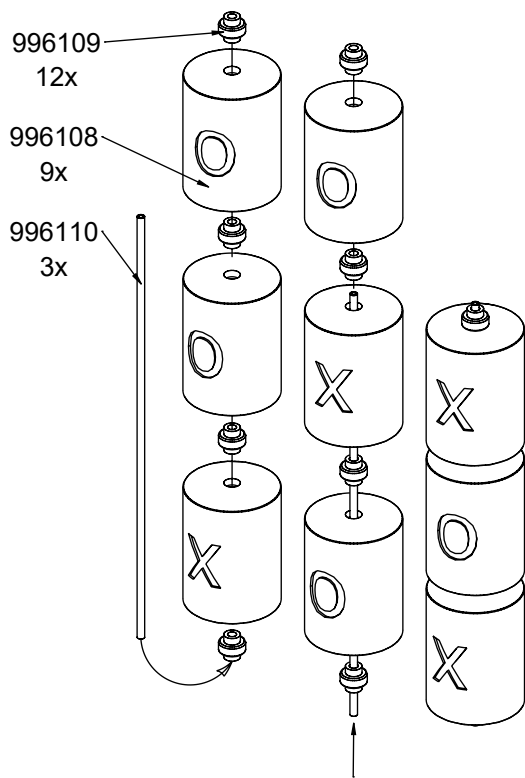


vinci  
play









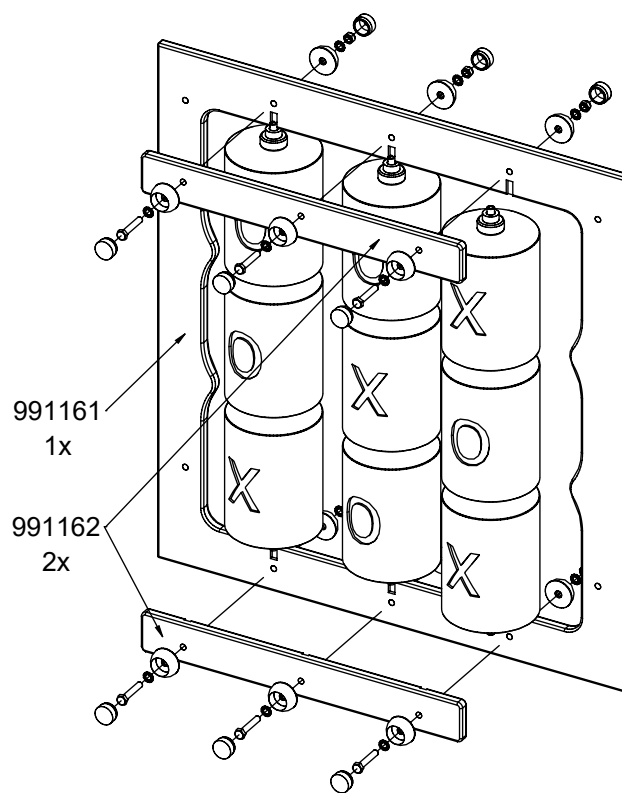
996109  
12x

996108  
9x

996110  
3x

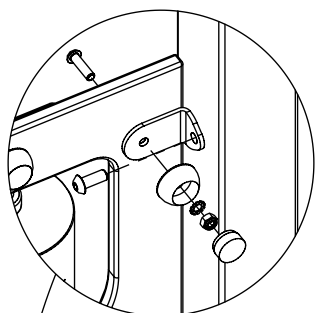
1x <sup>HDPE</sup> CE19

1x <sup>HPL</sup> CL19



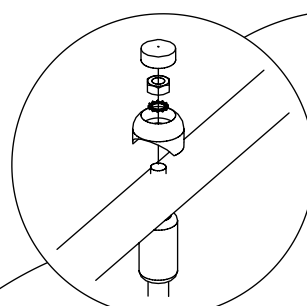
991161  
1x

991162  
2x

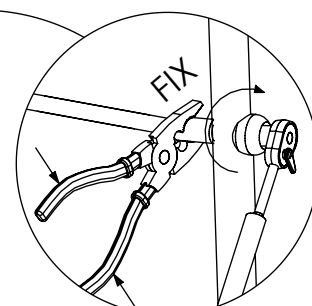


1x <sup>HDPE</sup> CE4

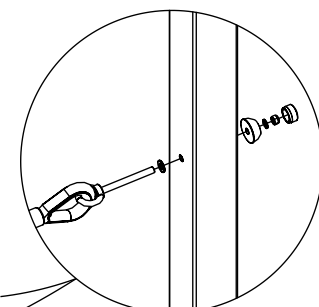
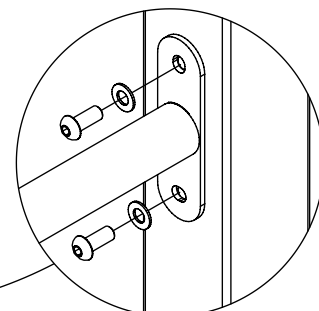
1x <sup>HPL</sup> CL4



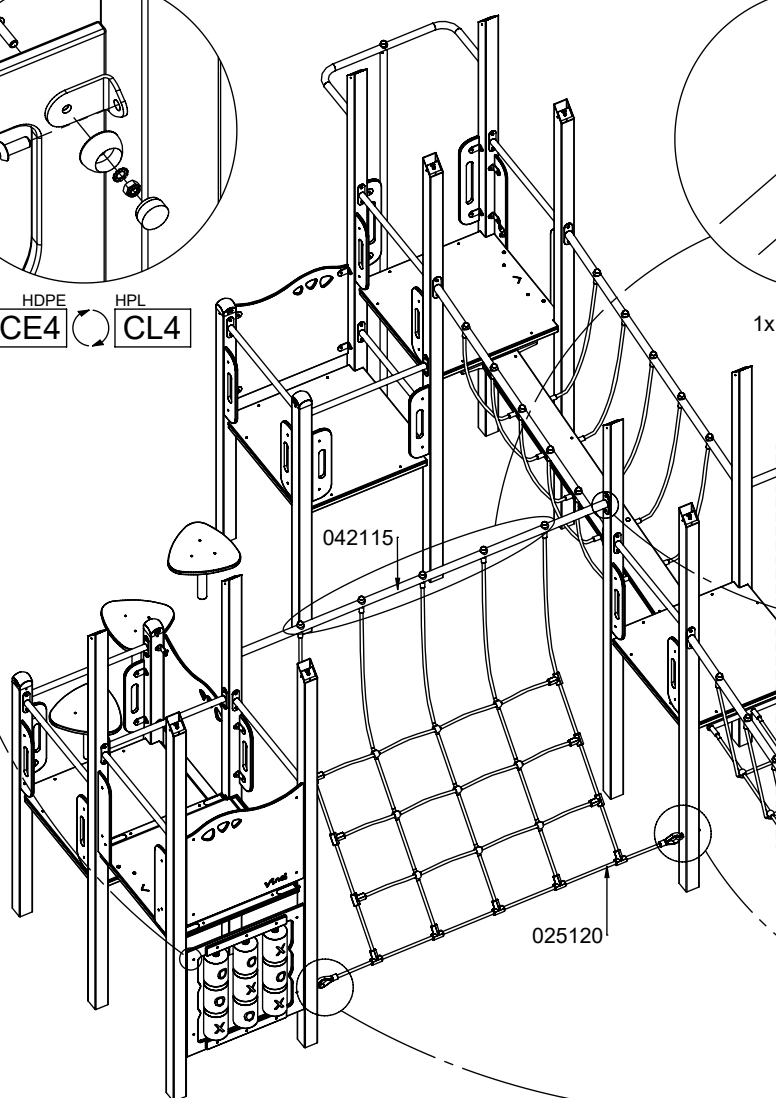
1x E54



1x E1



1x E50



042115

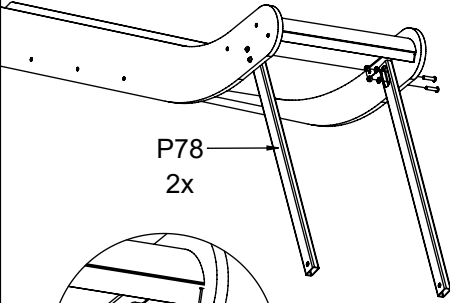
025120

[cm]

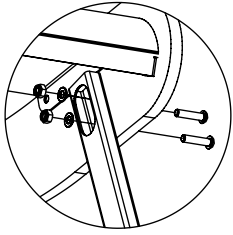


vinci  
play

K1



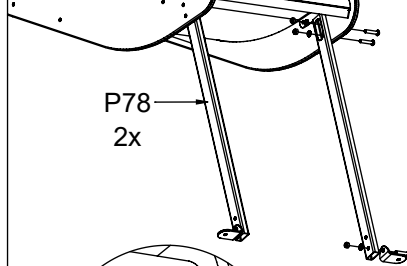
P78  
2x



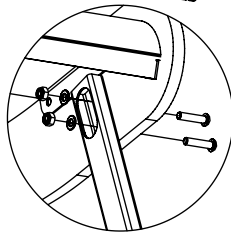
1x E34

3x

K2



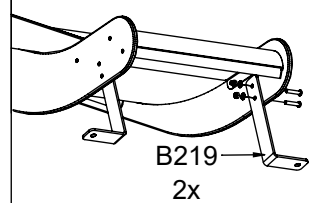
P78  
2x



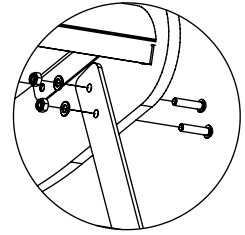
1x E35

3x

K3

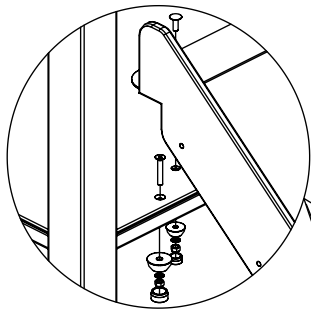


B219  
2x



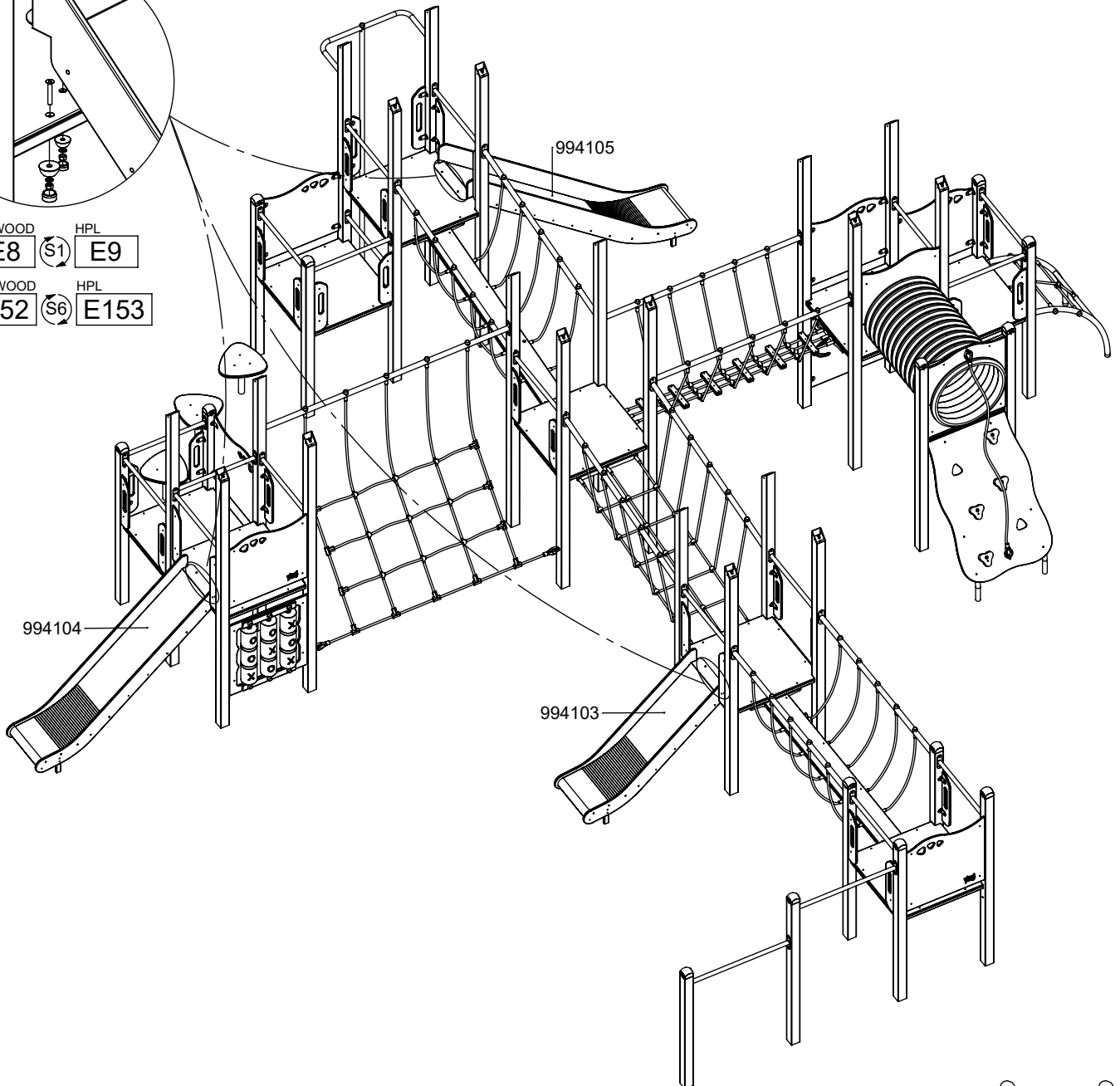
1x E34

3x



PLYWOOD HPL  
3x E8 (S1) E9

PLYWOOD HPL  
3x E152 (S6) E153



994104

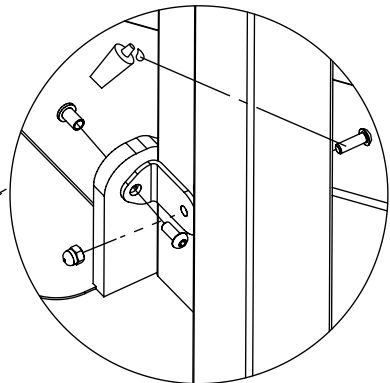
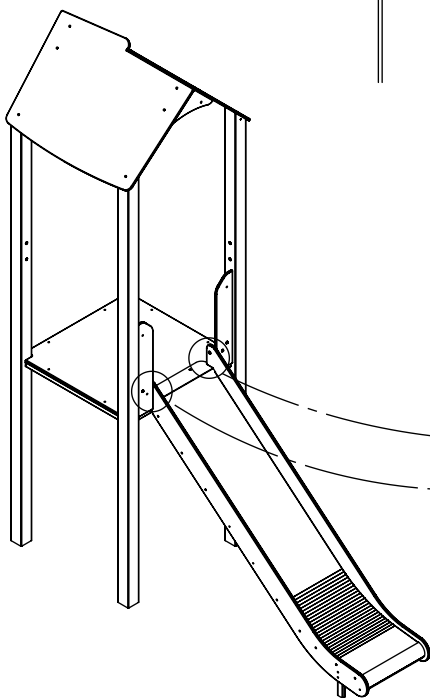
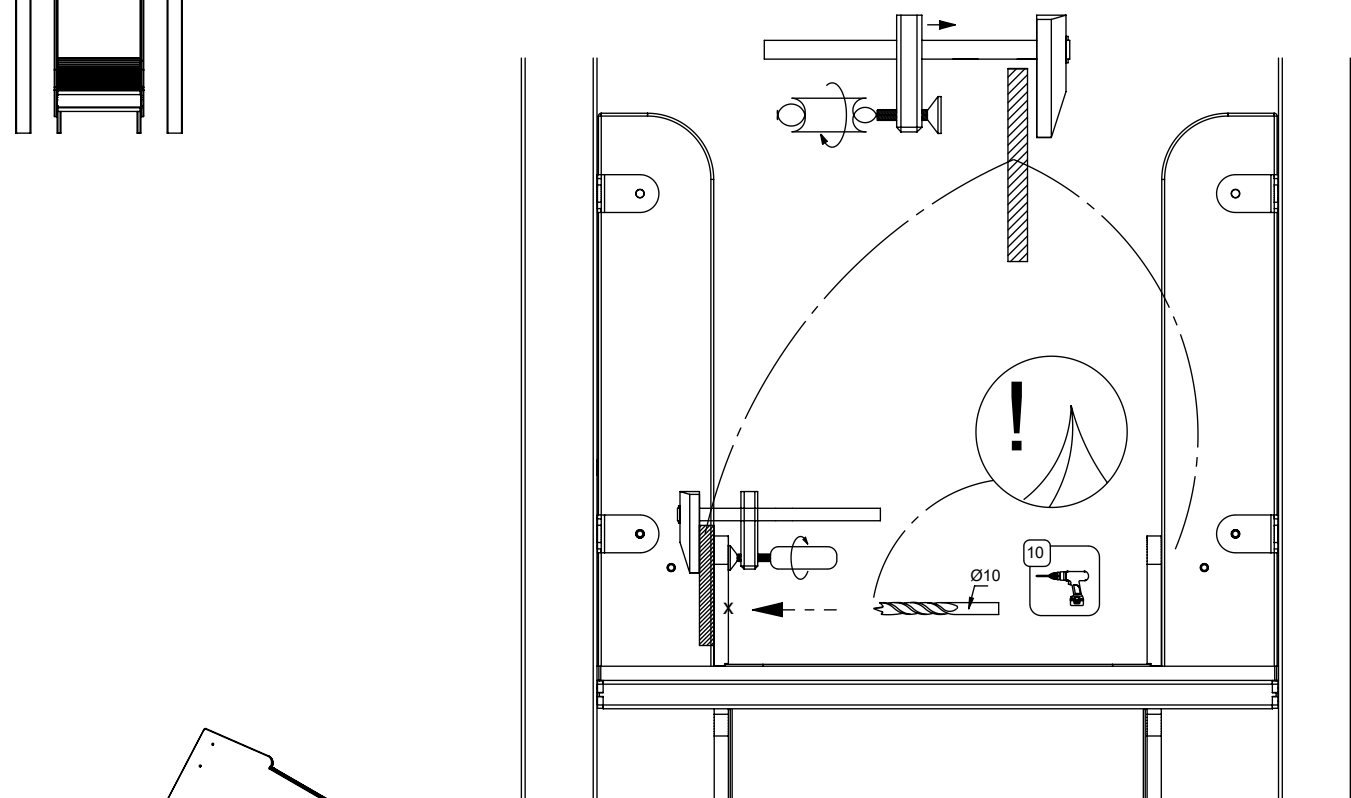
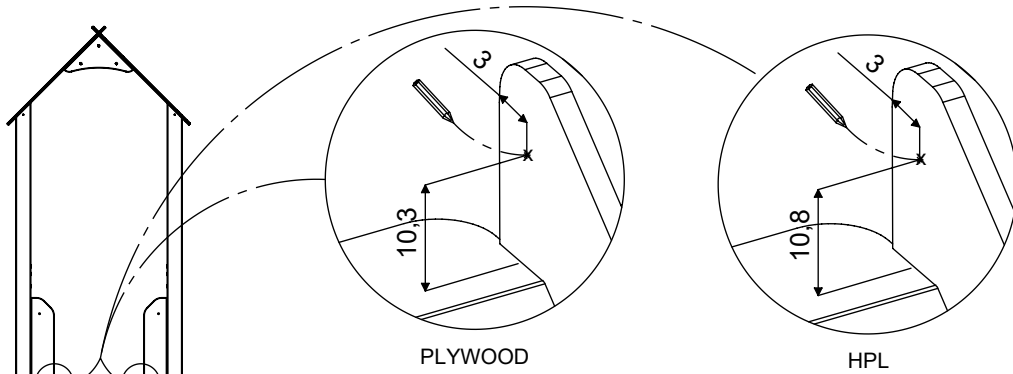
994103

994105

[cm]



vinci  
play



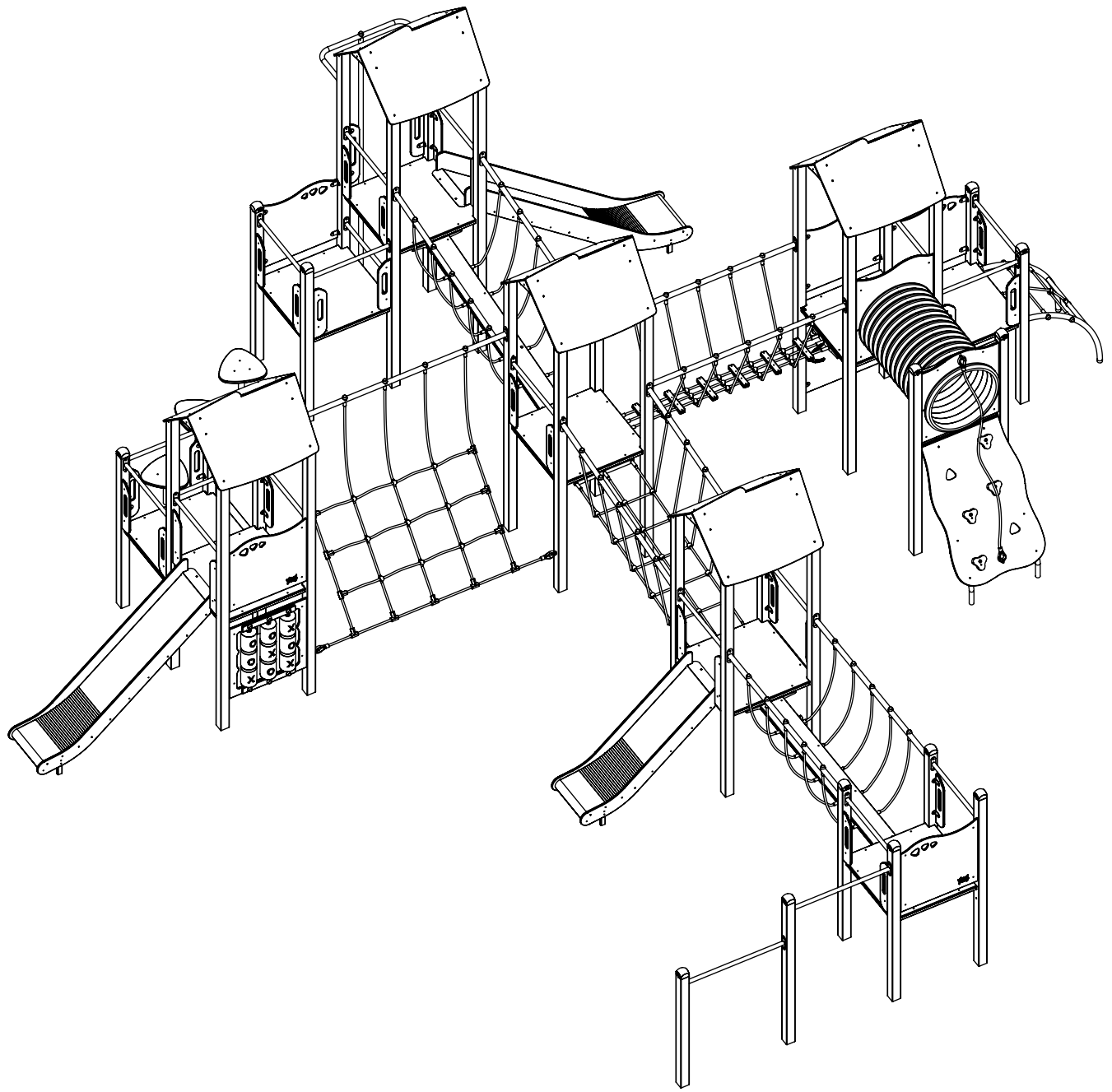
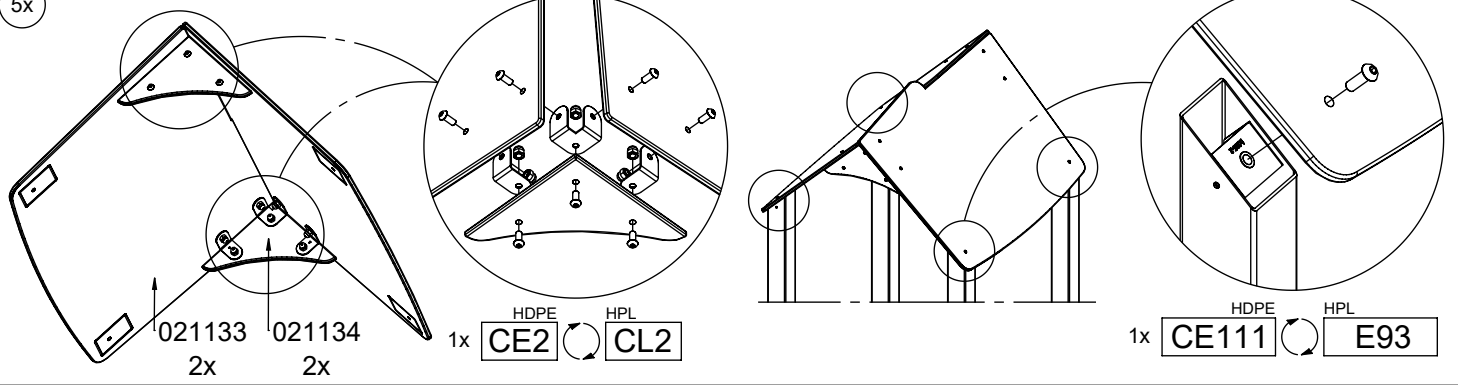
1x 

HDPE	HPL
CE31	CL31



[cm]

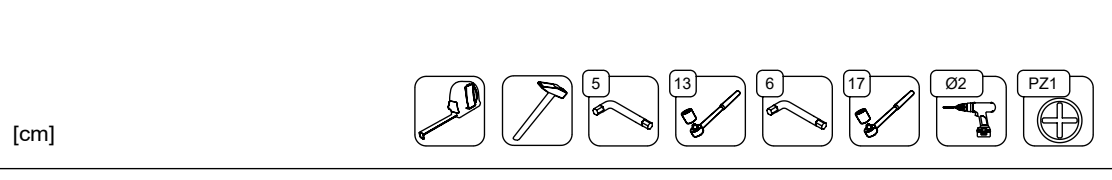
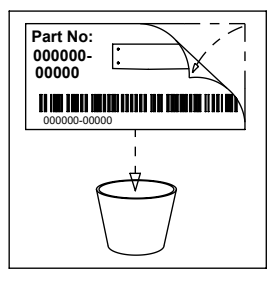
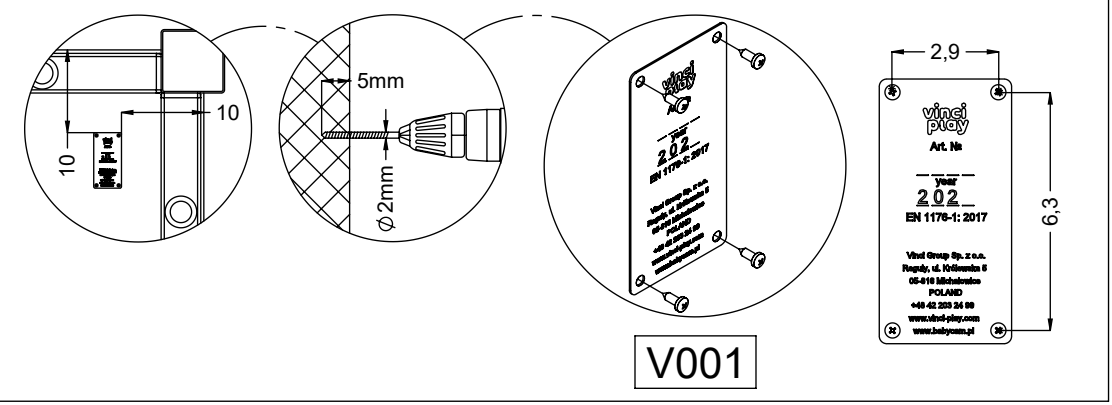
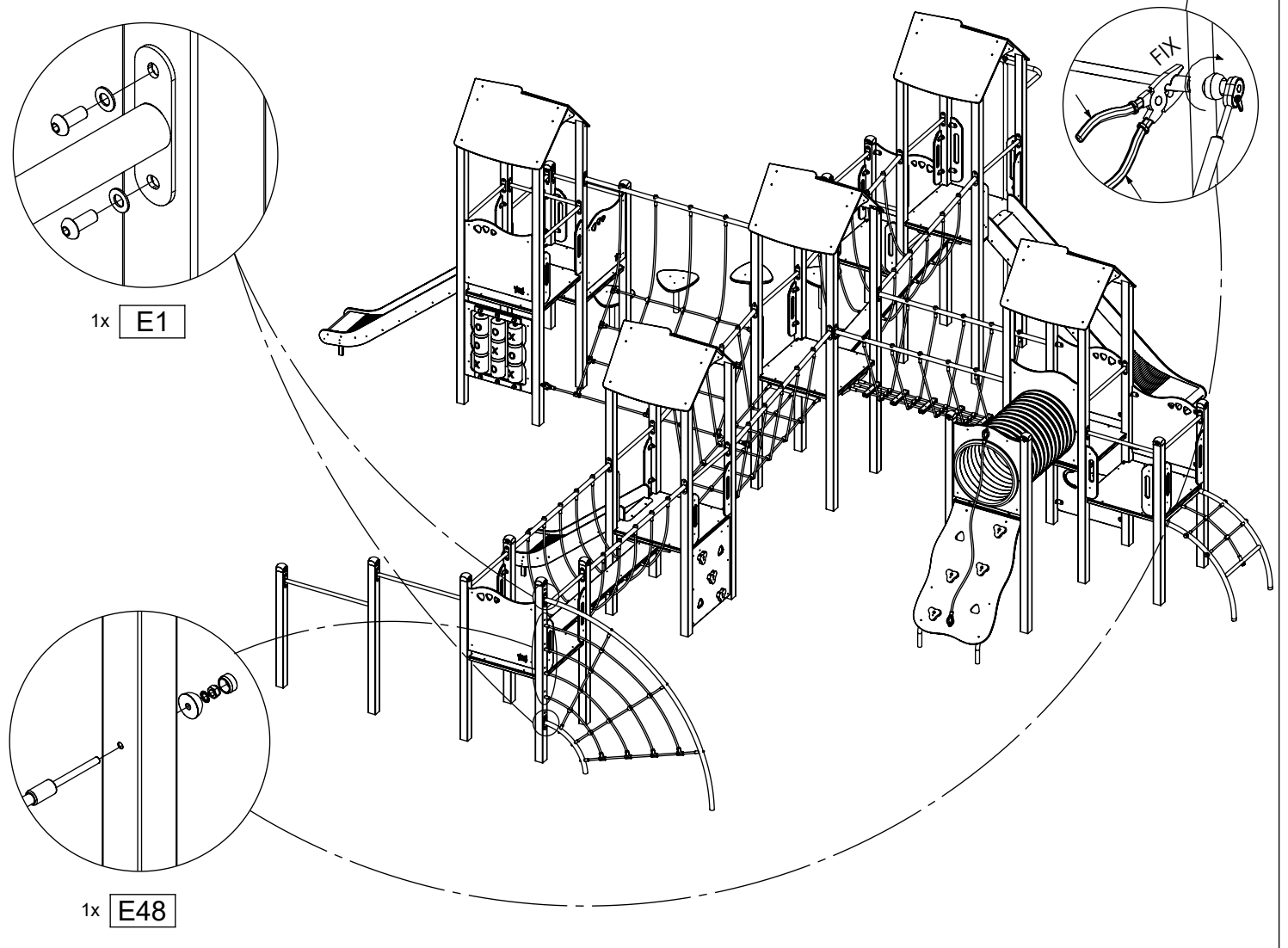
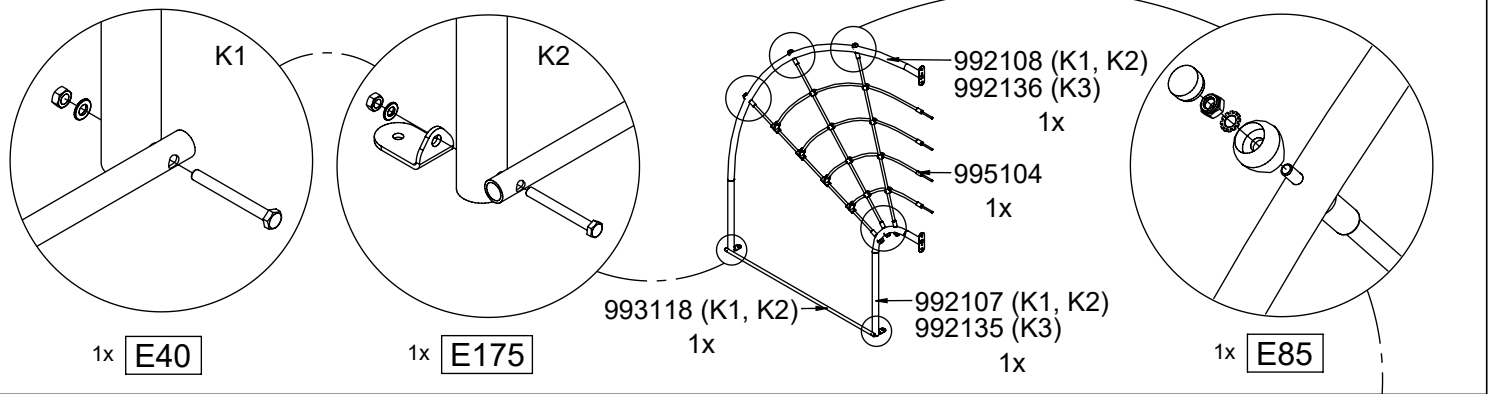
5x



[cm]



vinci play



vinci  
play