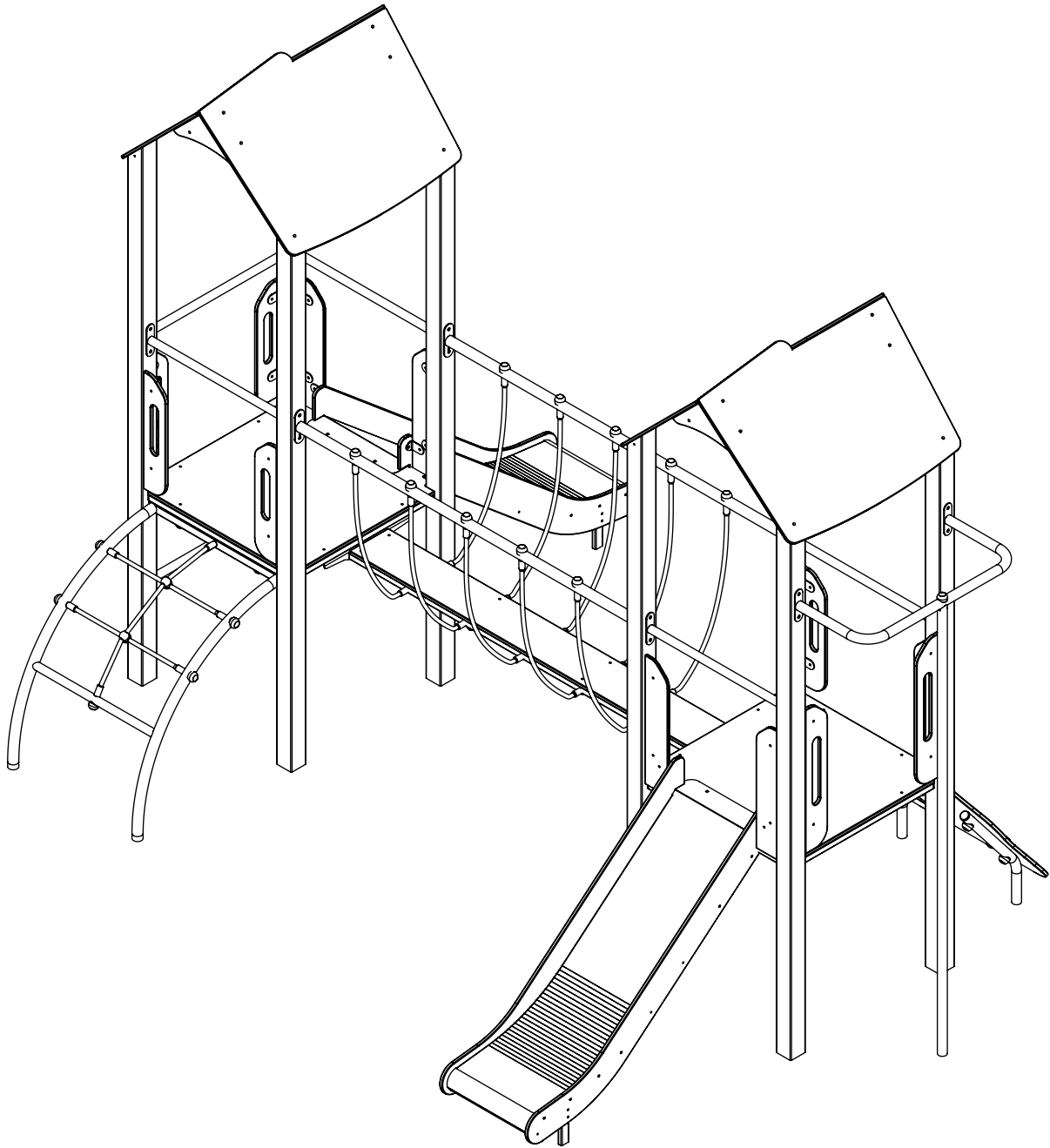


0213

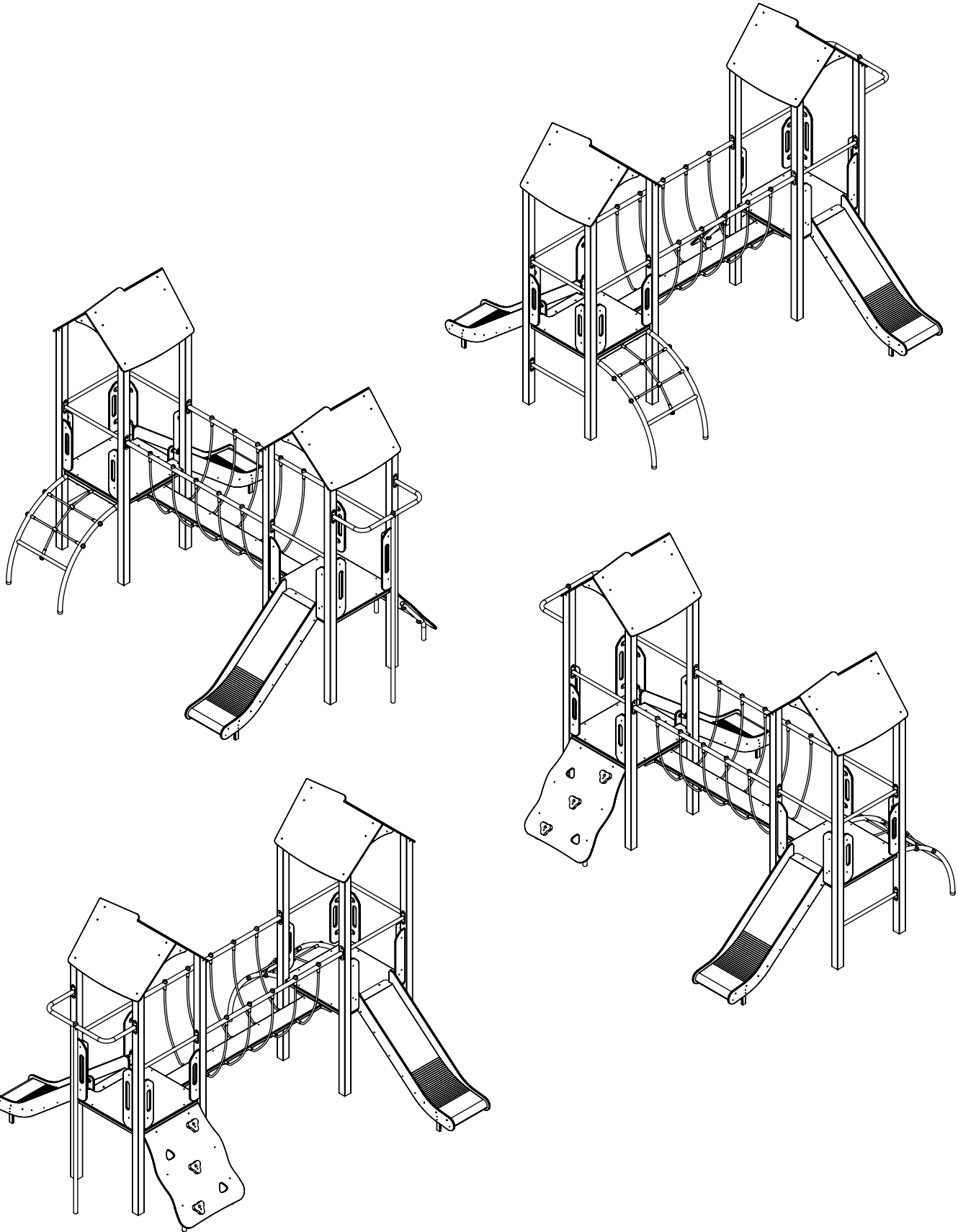


6,5h 48h K1 x17 >0,06m³ K2/K3 x17 >0,02m³ 180 HIC



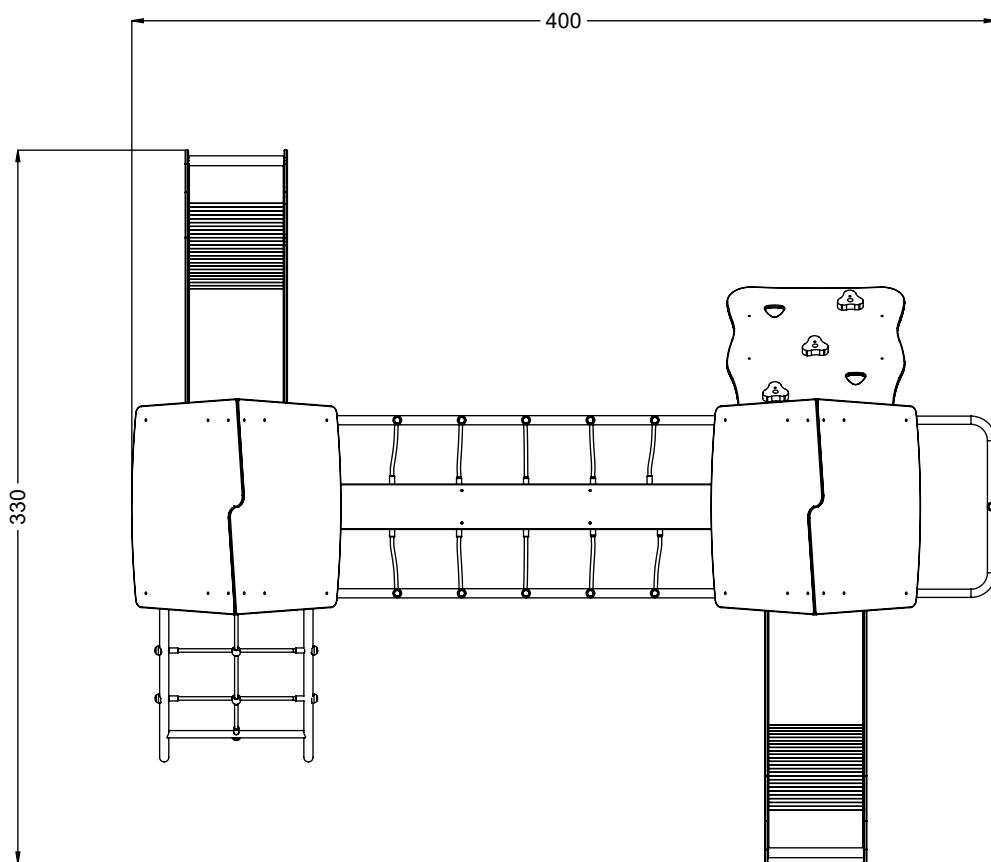
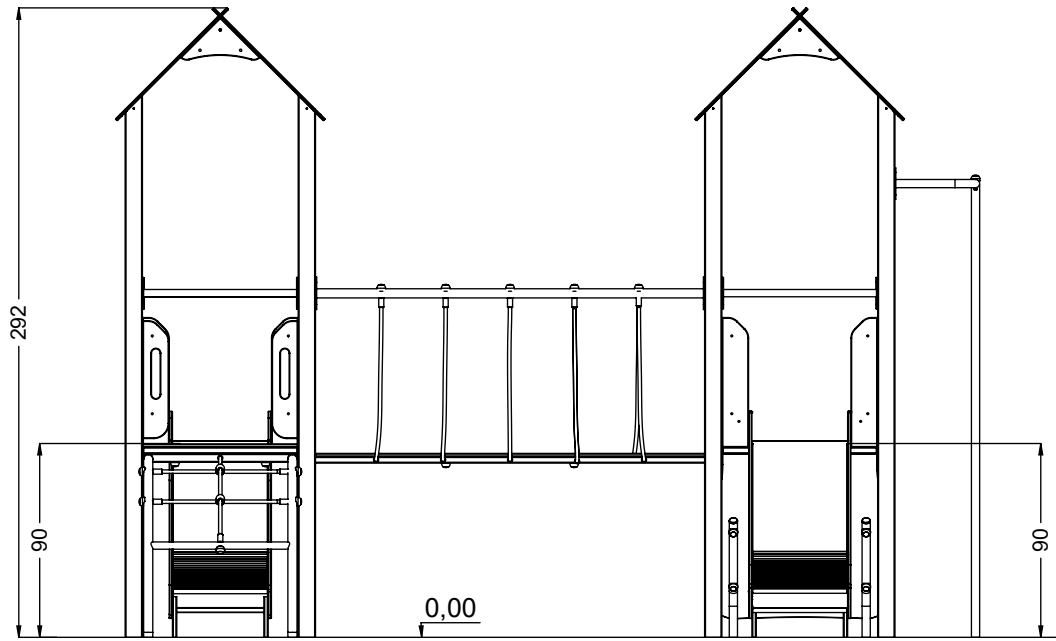
v016
29.12.2023
B.N.
[cm]

vinci
play



[cm]

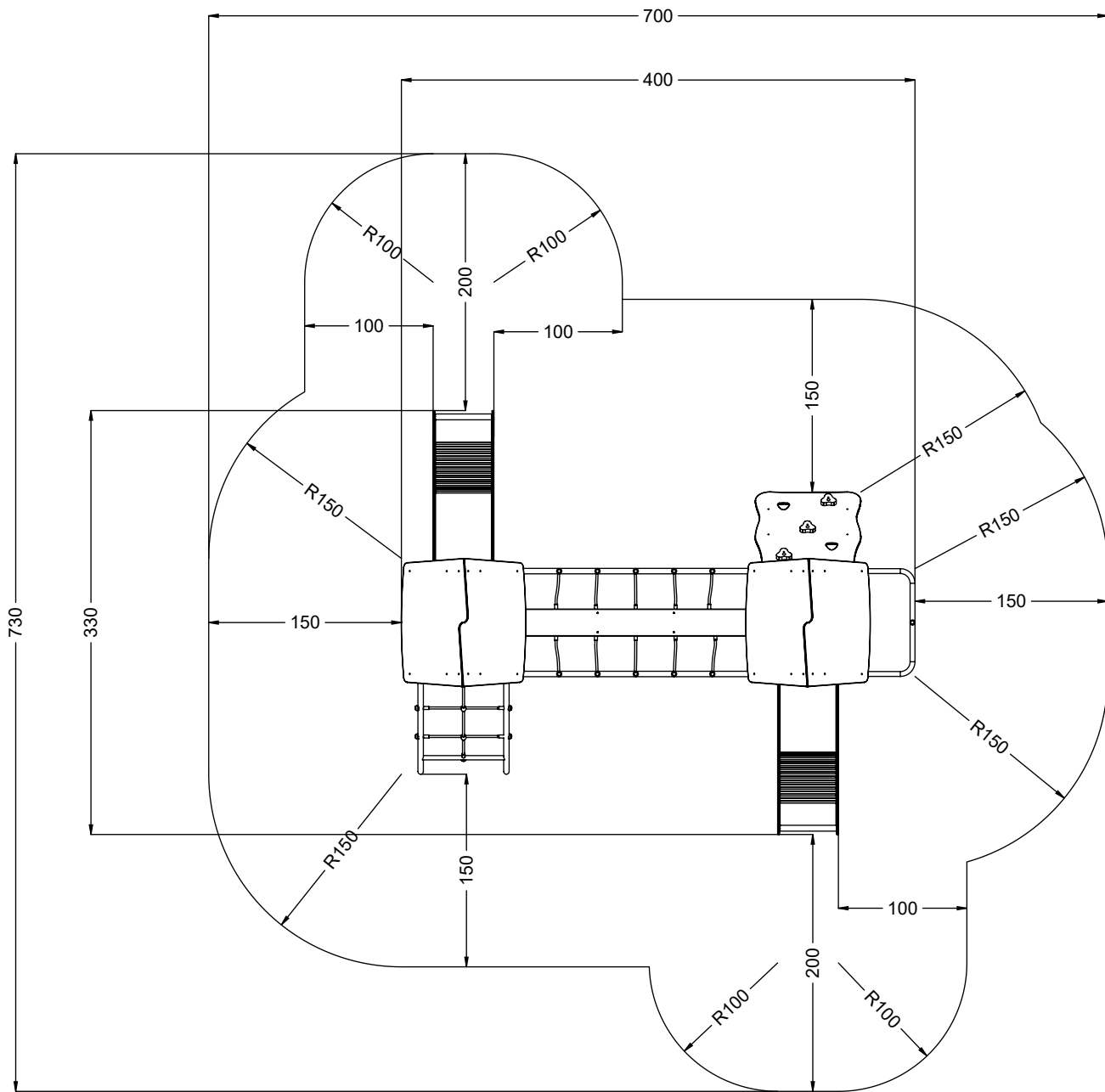
vinci
play



[cm]



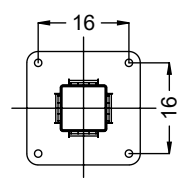
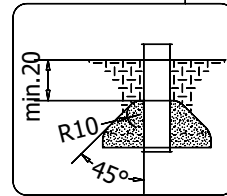
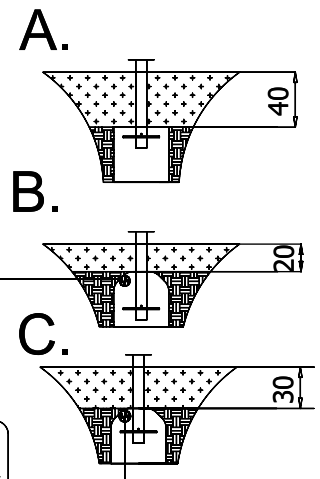
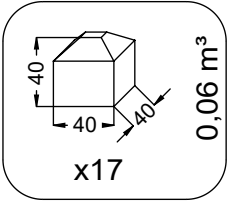
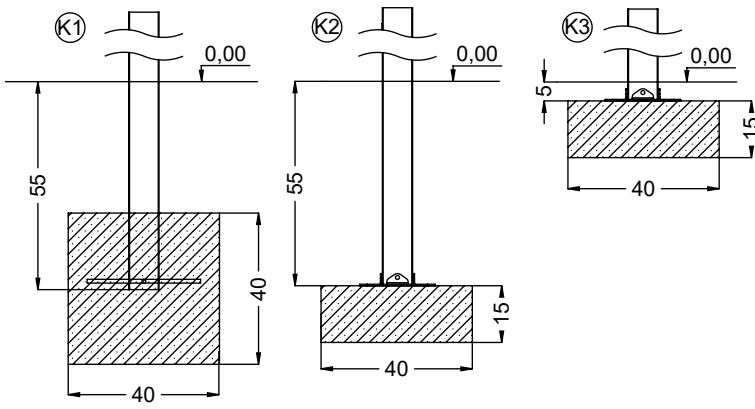
vinci
play


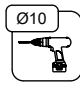

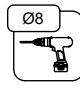




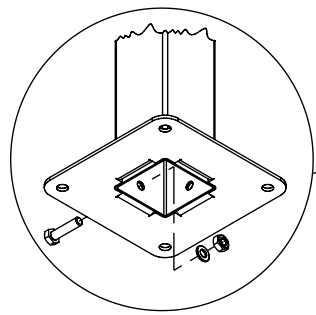
[cm]



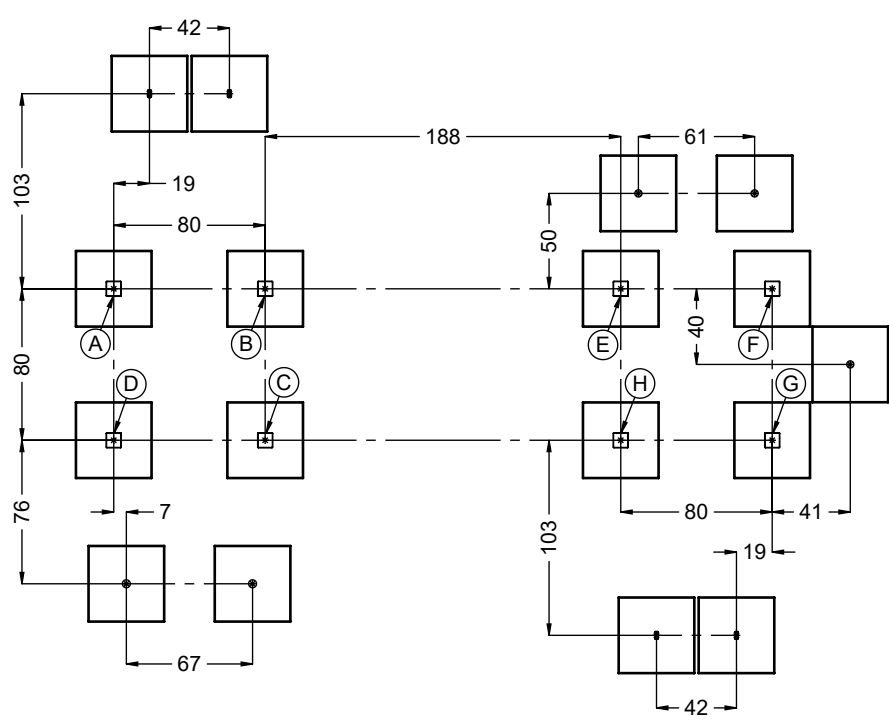
vinci
play



- | | |
|---|--|
| <p>32x M10x120 (K2)</p> <p>36x M10x120 (K3)</p>   | <p>10x M8x120 (K2)</p> <p>6x M8x120 (K3)</p>   |
| <p>NOT INCLUDED</p>  | <p>NOT INCLUDED</p>  |



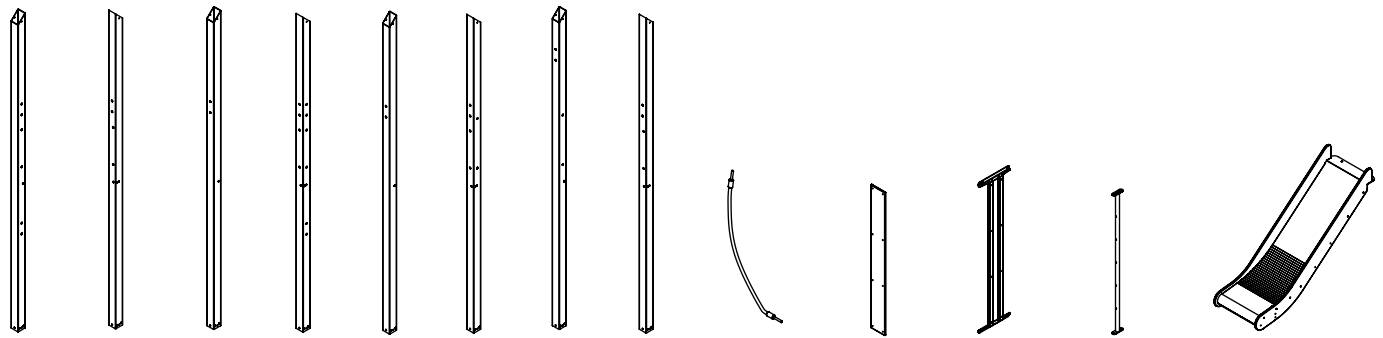
E37



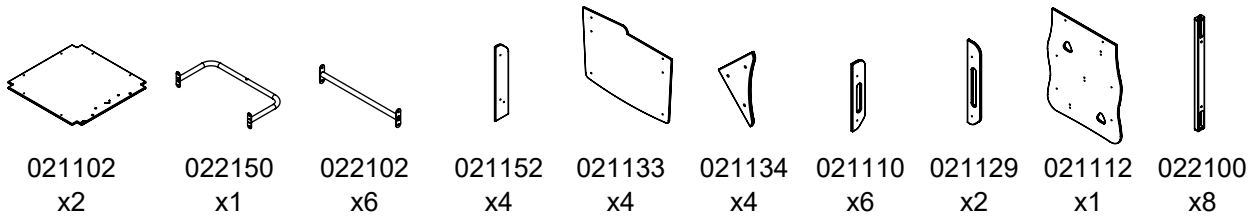
[cm]

 x2
  6,5h
 
 
  48h
  K1 x17 >0,06m³
  K2/K3 x17 >0,02m³

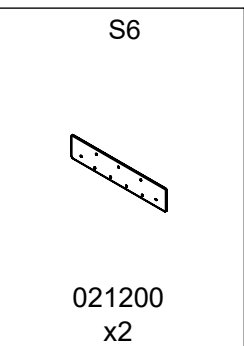
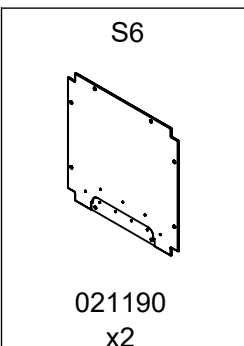
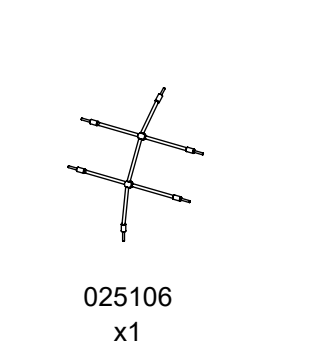
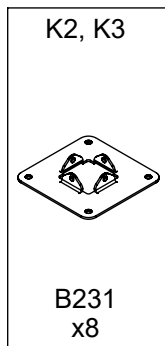
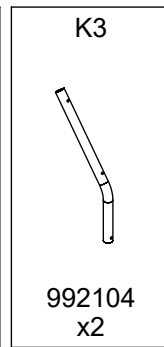
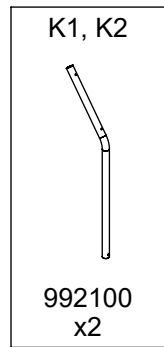
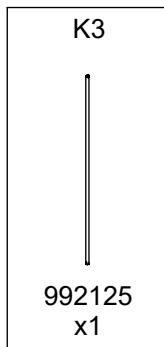
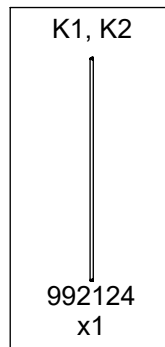
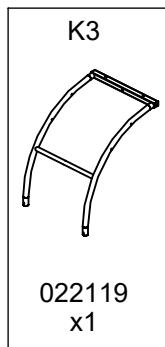
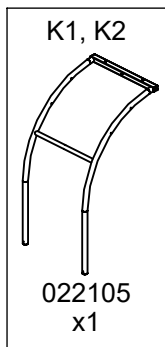
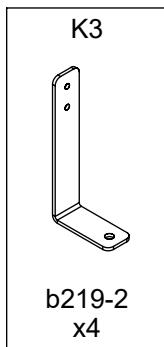
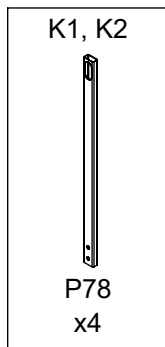
vinci play



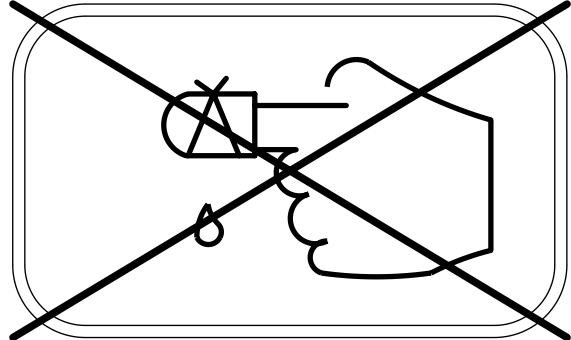
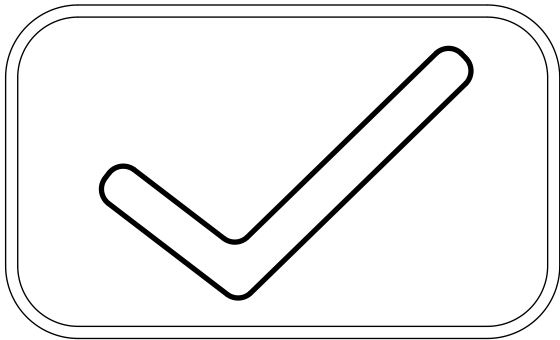
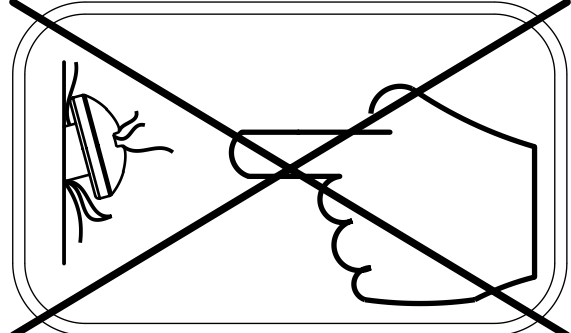
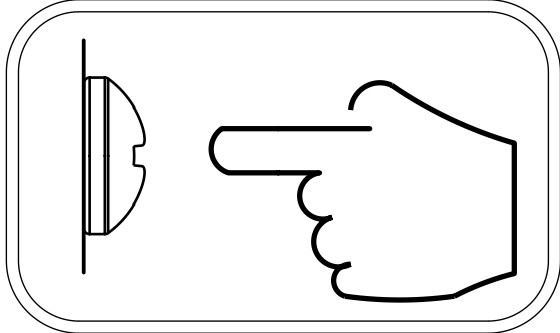
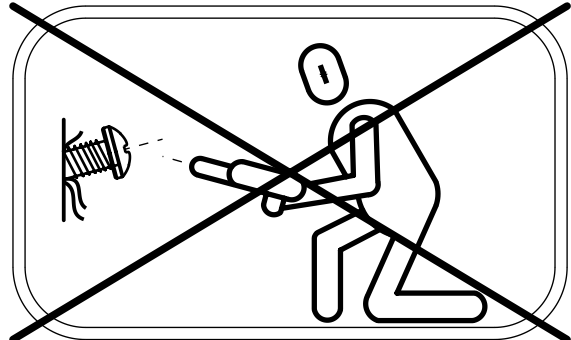
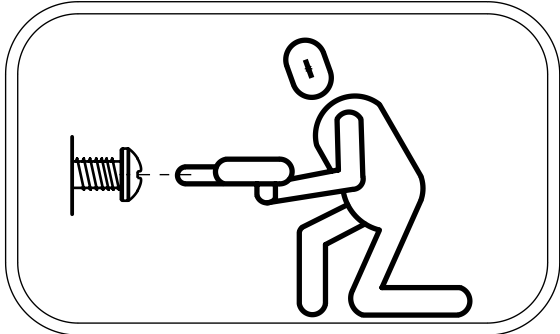
213A x1 213B x1 213C x1 213D x1 213E x1 213F x1 213G x1 213H x1 025100 x10 021136 x1 022134 x1 022135 x2 994103 x2

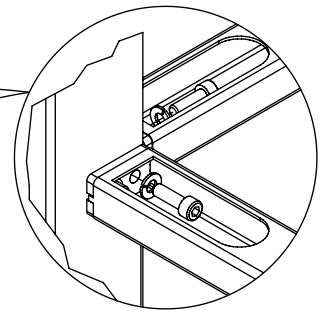
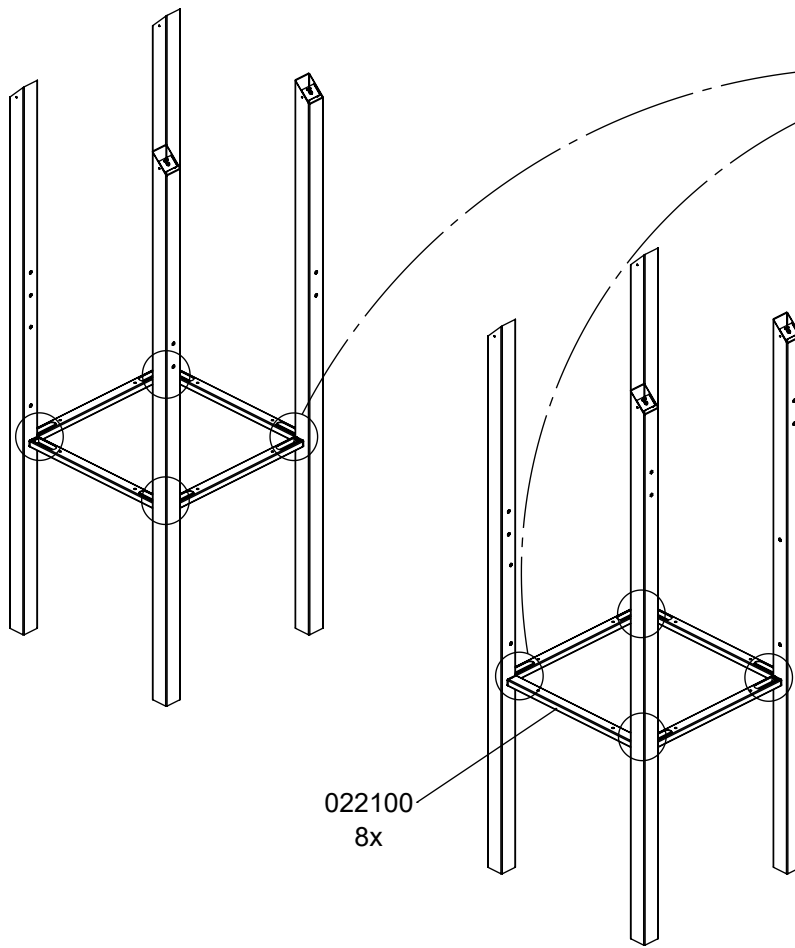


021102 x2 022150 x1 022102 x6 021152 x4 021133 x4 021134 x4 021110 x6 021129 x2 021112 x1 022100 x8



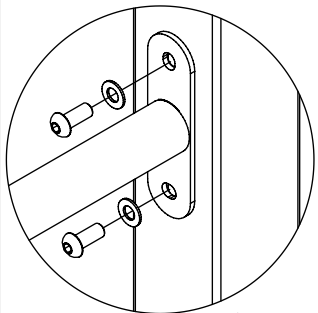
ST/INOX		PLYWOOD / HDPE		HPL	
1x	E38 (K2, K3)	2x	E8 (S1)	2x	E9 (S1)
	E37 (K2, K3)	2x	E152 (S6)	2x	E153 (S6)
2x	E34 (K1, K3)	2x	CE2	2x	CL2
2x	E35 (K2)	1 x	E4	1 x	E5
2x	E88 (K2, K3)	2 x	CE1	2 x	CL1
9x	E1	4x	CE4	4x	CL4
2x	E3	2x	PS1	2x	PH1
1x	E28	1x	PS22	1x	PH22
1x	E39	2x	CE31	2x	CL31
1x	V001	2x	CE111	2x	CL111
1x	E238	1x	PS31	1x	PH31
		1x	PS21	1x	PH21
		1x	CE24	1x	CL24
				2x	P061(S6)



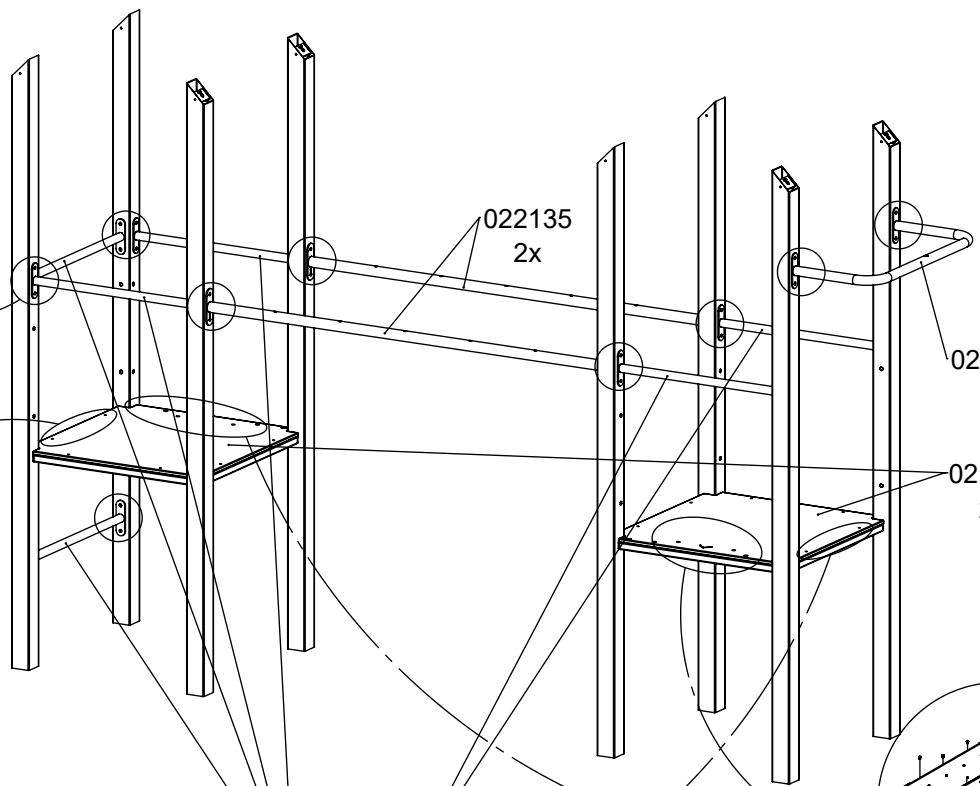


2x **E3**

022100
8x



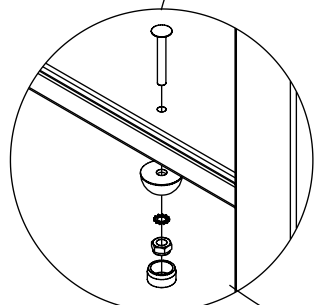
9x **E1**



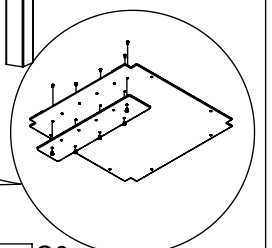
022135
2x

022150
1x

021102
2x



022102
6x



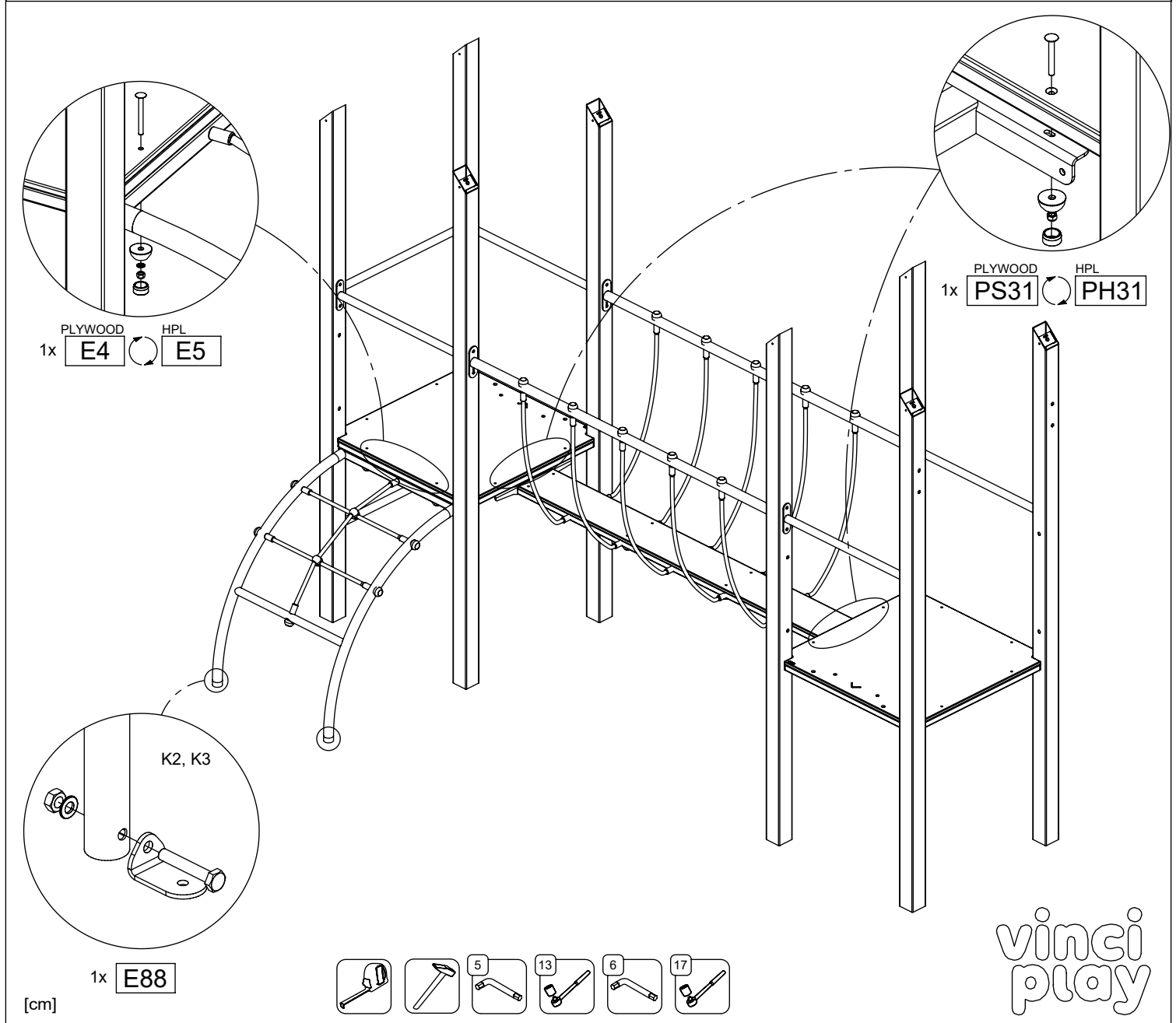
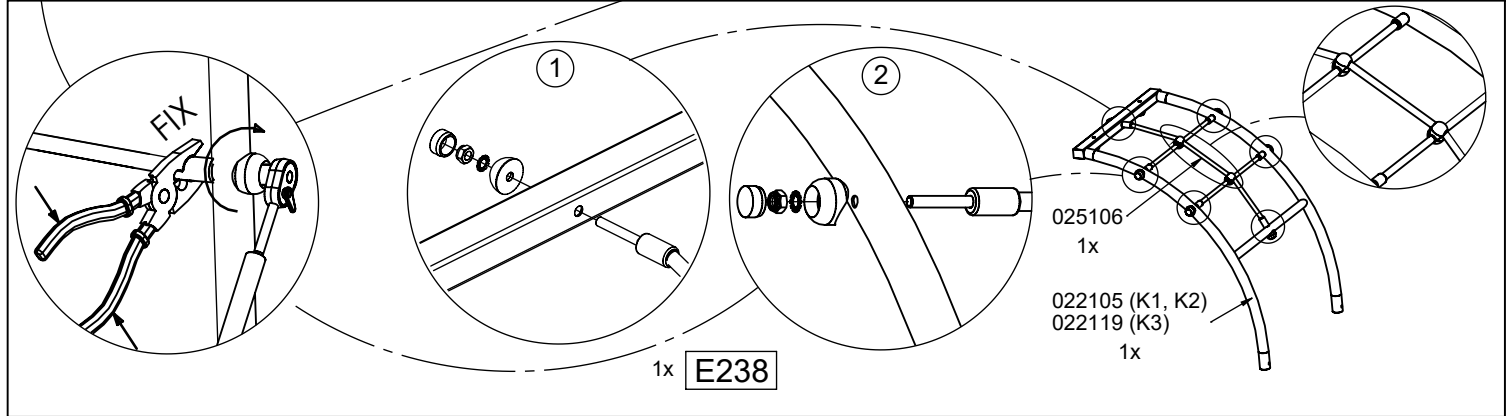
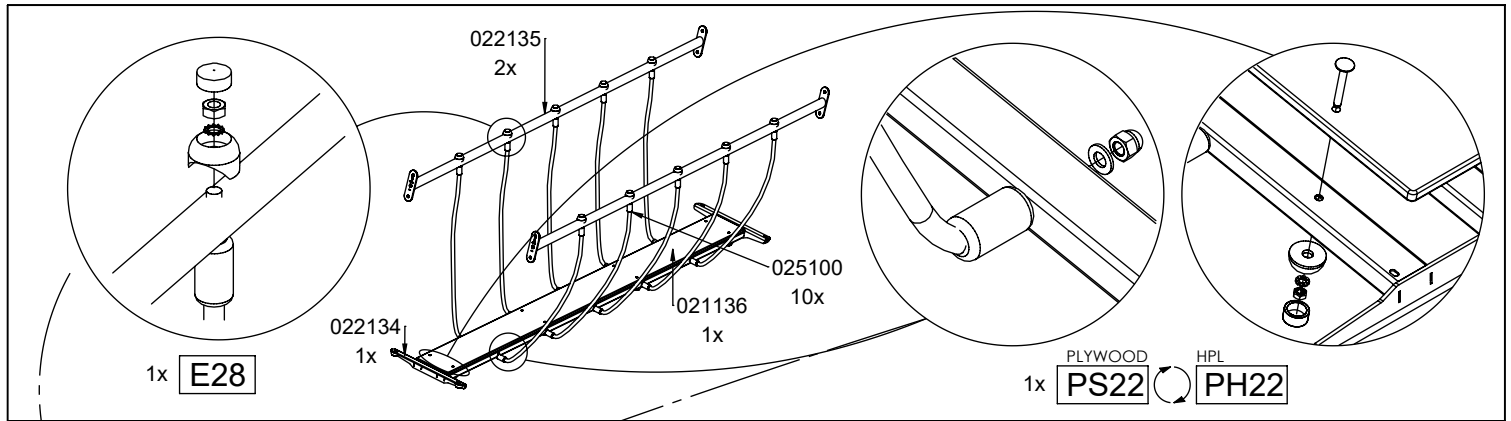
2x **P061** S6

PLYWOOD 2x **PS1** HPL **PH1**

[cm]



vinci
play



021110
4x

2x

HDPE	HPL
CE1	CL1

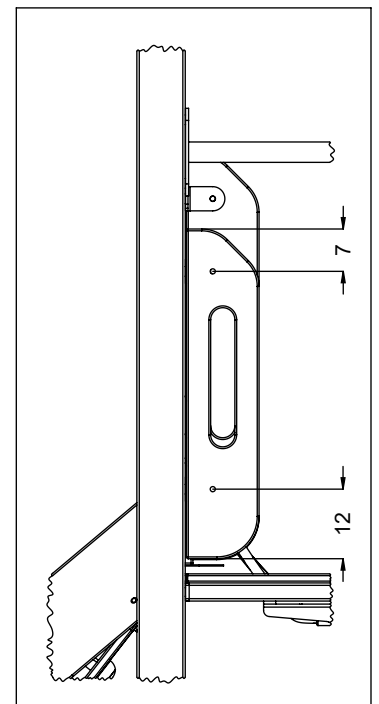
021110
2x

021129
2x

021152
4x

4x

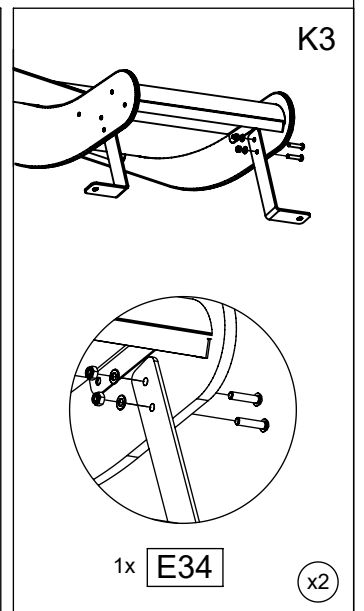
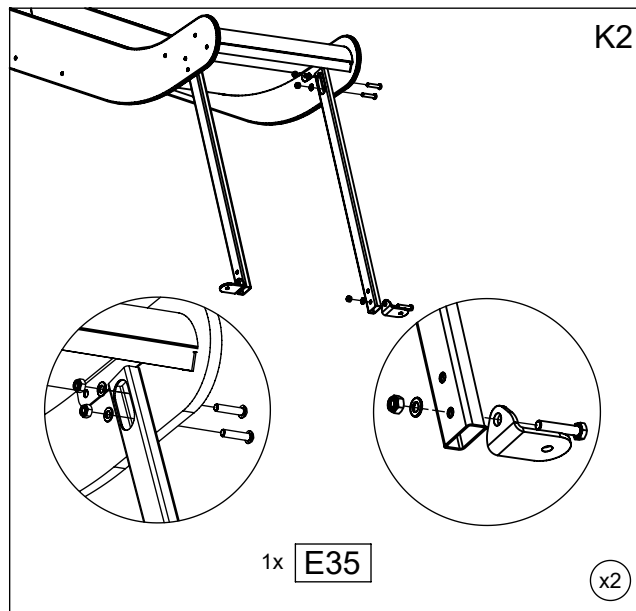
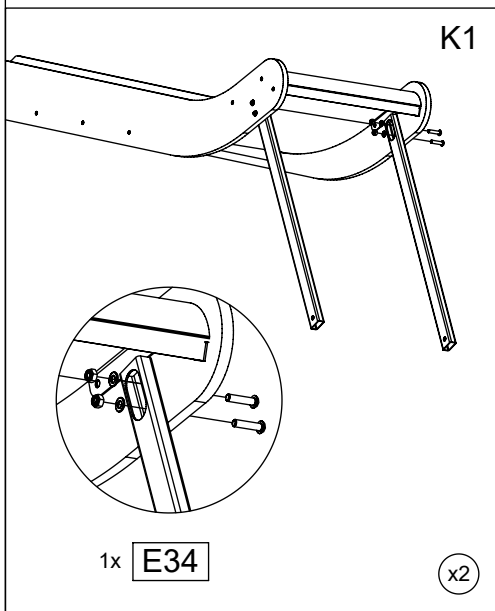
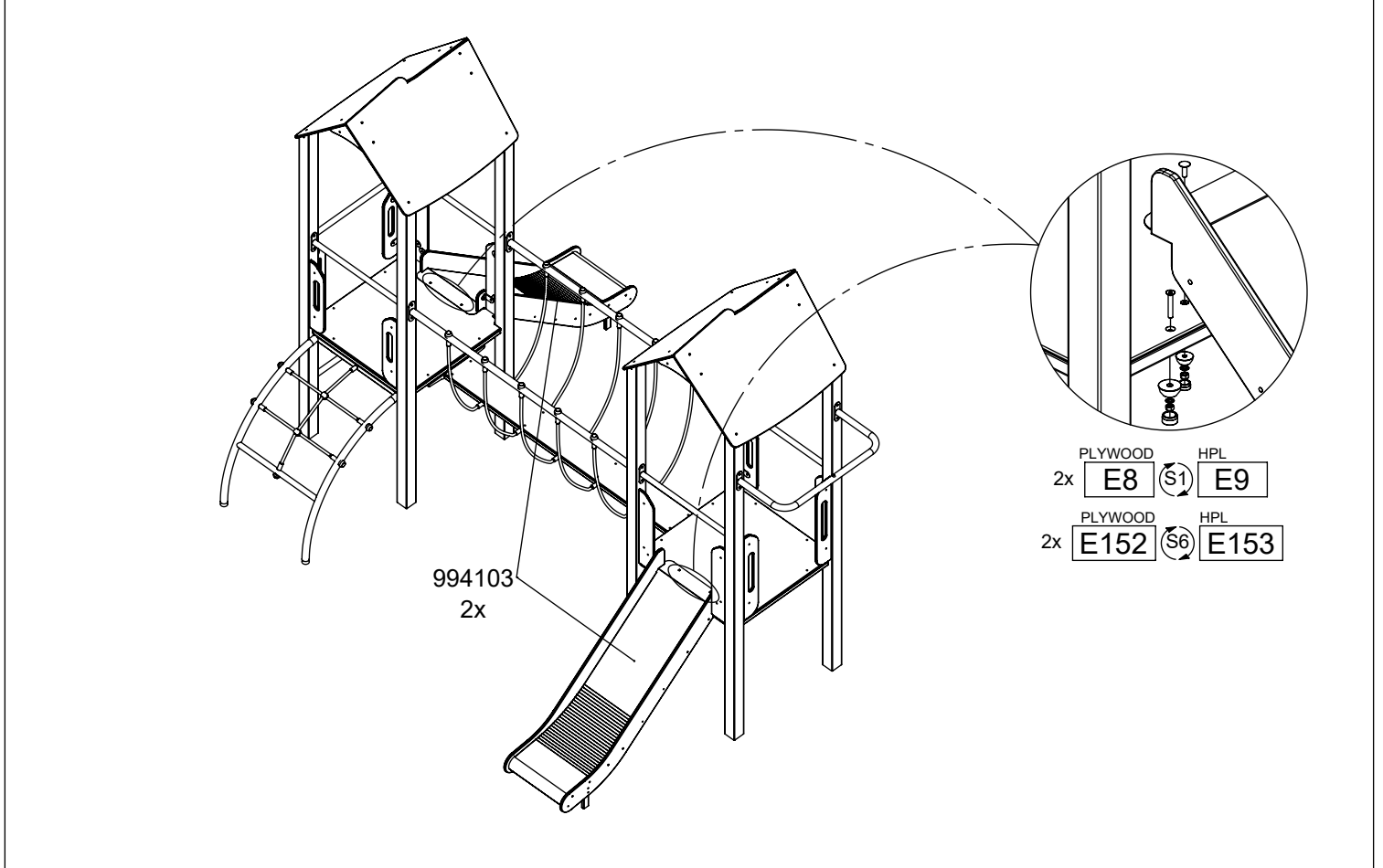
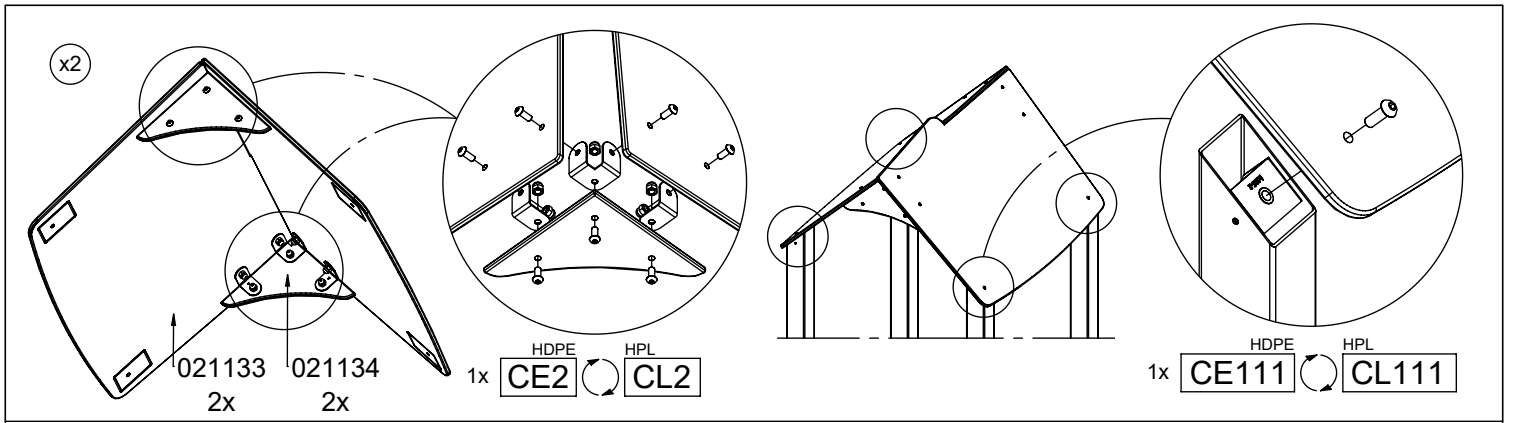
HDPE	HPL
CE4	CL4



[cm]



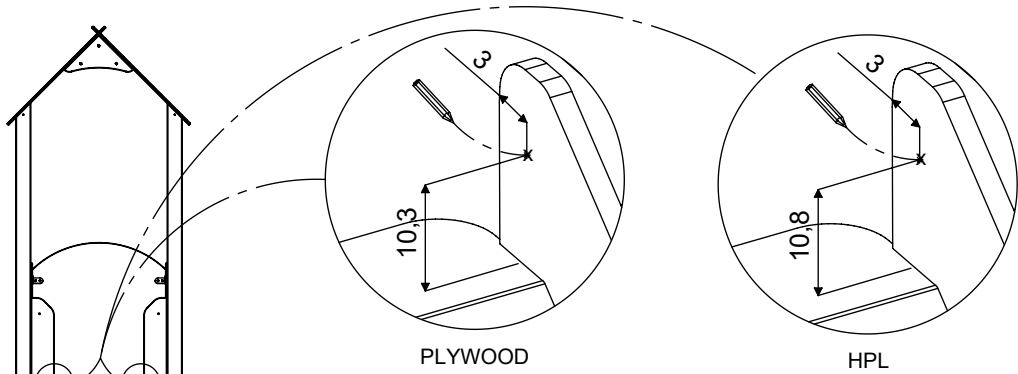
vinci
play



[cm]

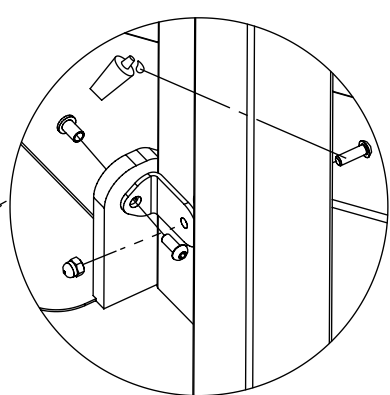
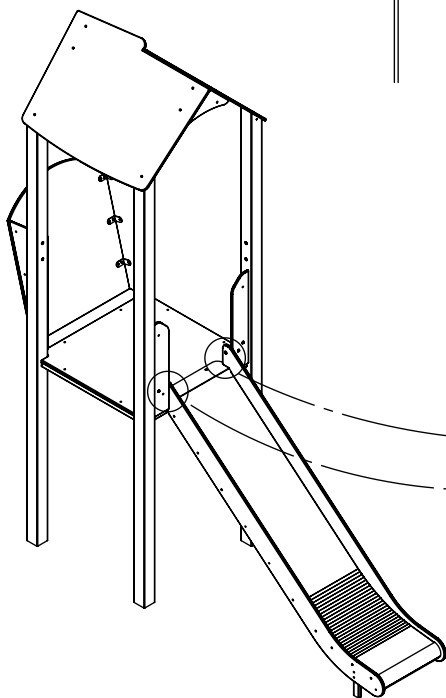
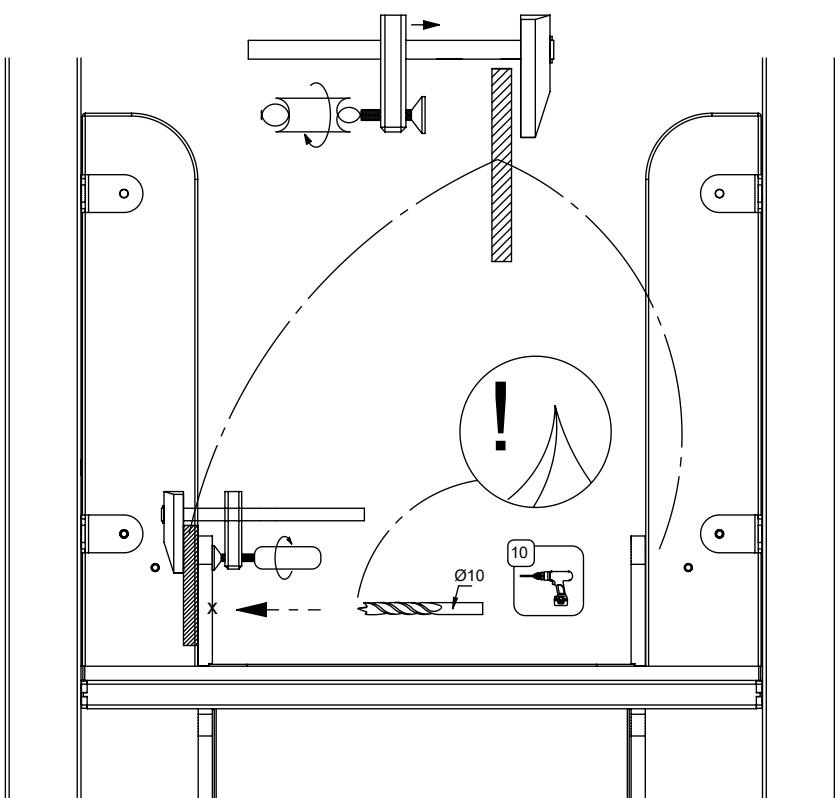


vinci
play



PLYWOOD

HPL

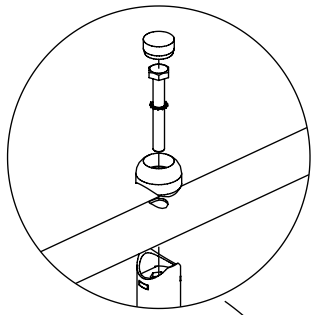
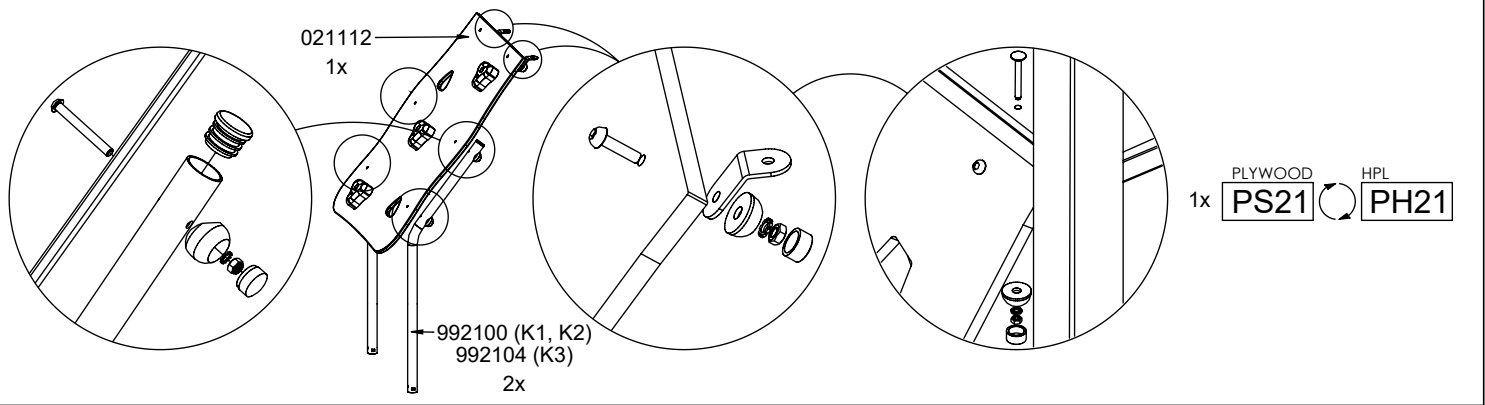


1x

HDPE	HPL
CE31	CL31

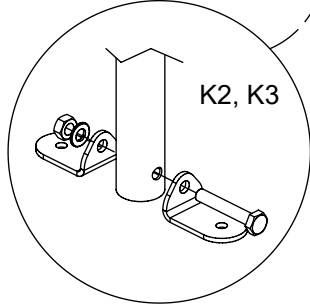
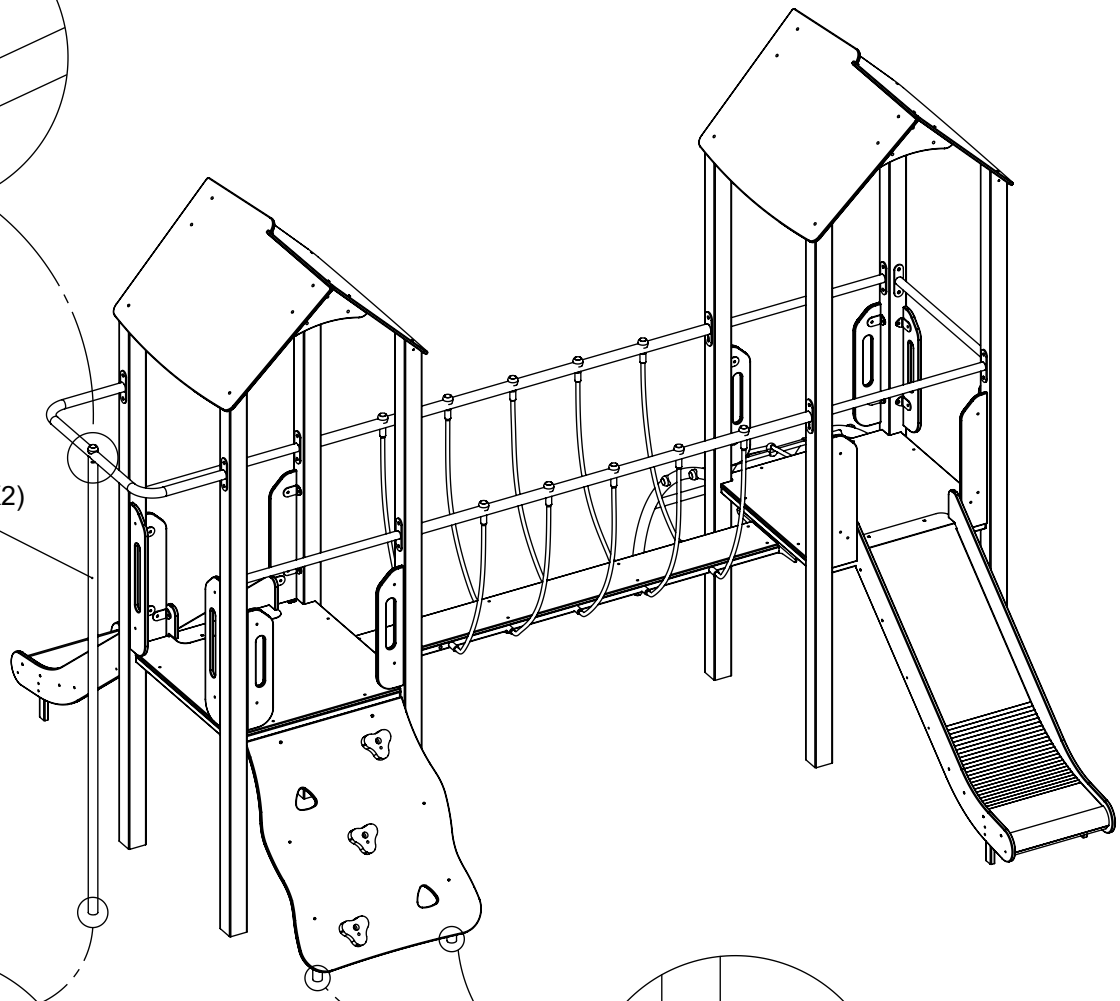


[cm]



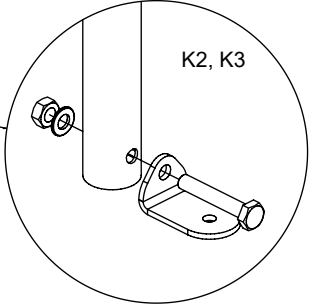
1x E39

092124 (K1, K2)
092125 (K3)
1x



K2, K3

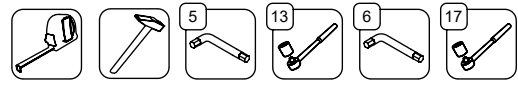
1x E38



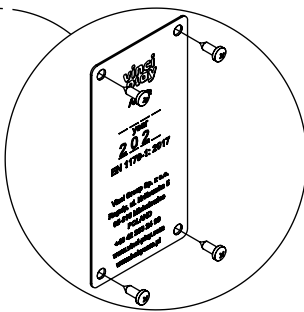
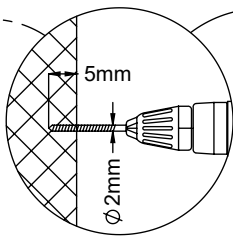
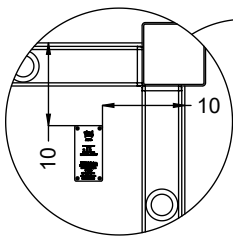
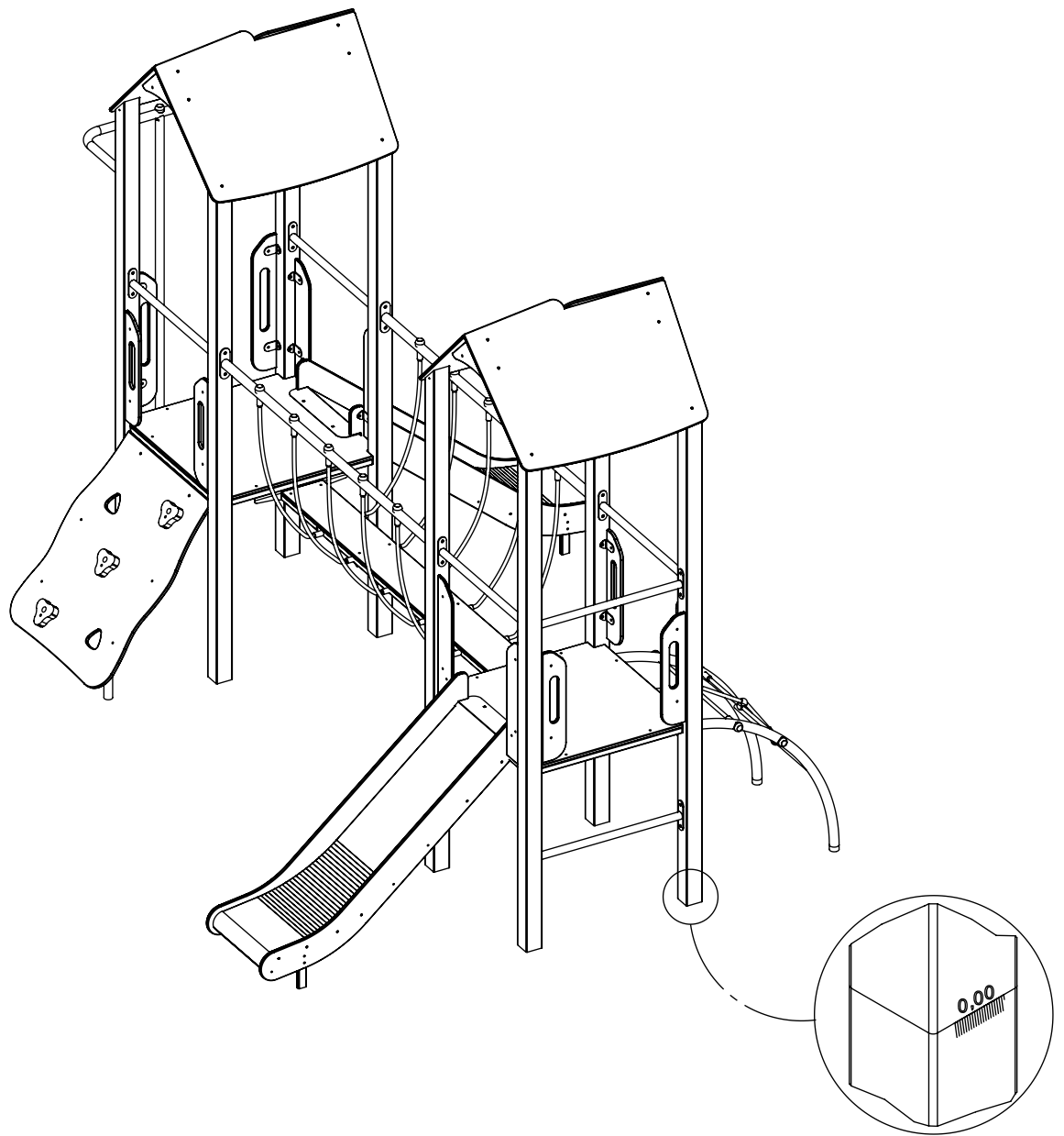
K2, K3

1x E88

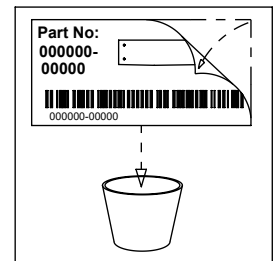
[cm]



vinci
play



V001



[cm]



vinci
play