



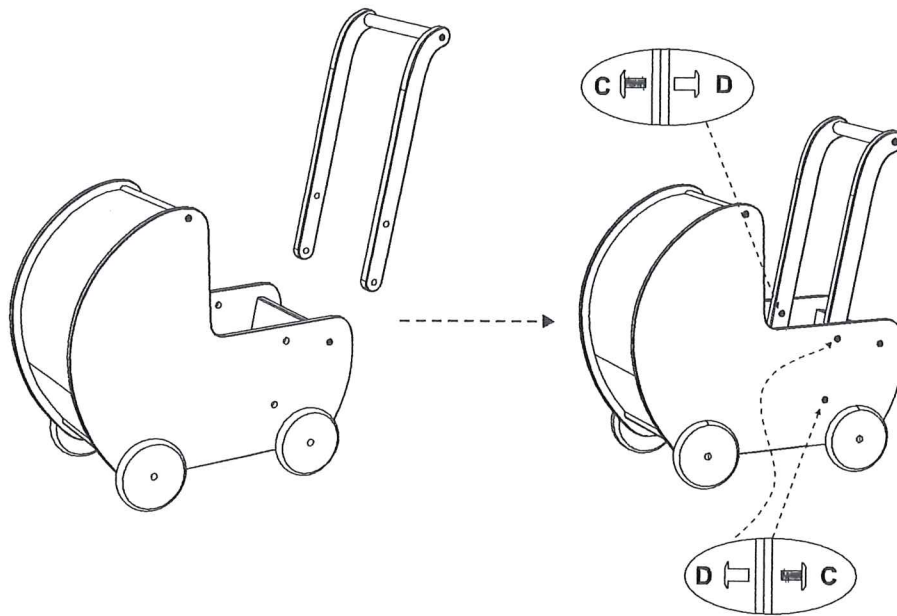
Assembly Instruction

Item No. 50282 Doll Pram

Thank you for purchasing VIGA product. Please follow the instructions step by step in order to build the unit correctly.

Attention: Screws should be located and not tightened completely until the unit is constructed into a Doll Pram.

STEP



Included Hardware



A 1 set



B 1 set

C  4 pcs

D  4 pcs



WARNING:

This toy is required to be assembled by adults only. It may contain potential choking hazards, small parts or sharp points before assembly.

Incorrect assembly may cause injury to children. Screws may rust over time, please inspect all the screws periodically.

www.vigatoys.com