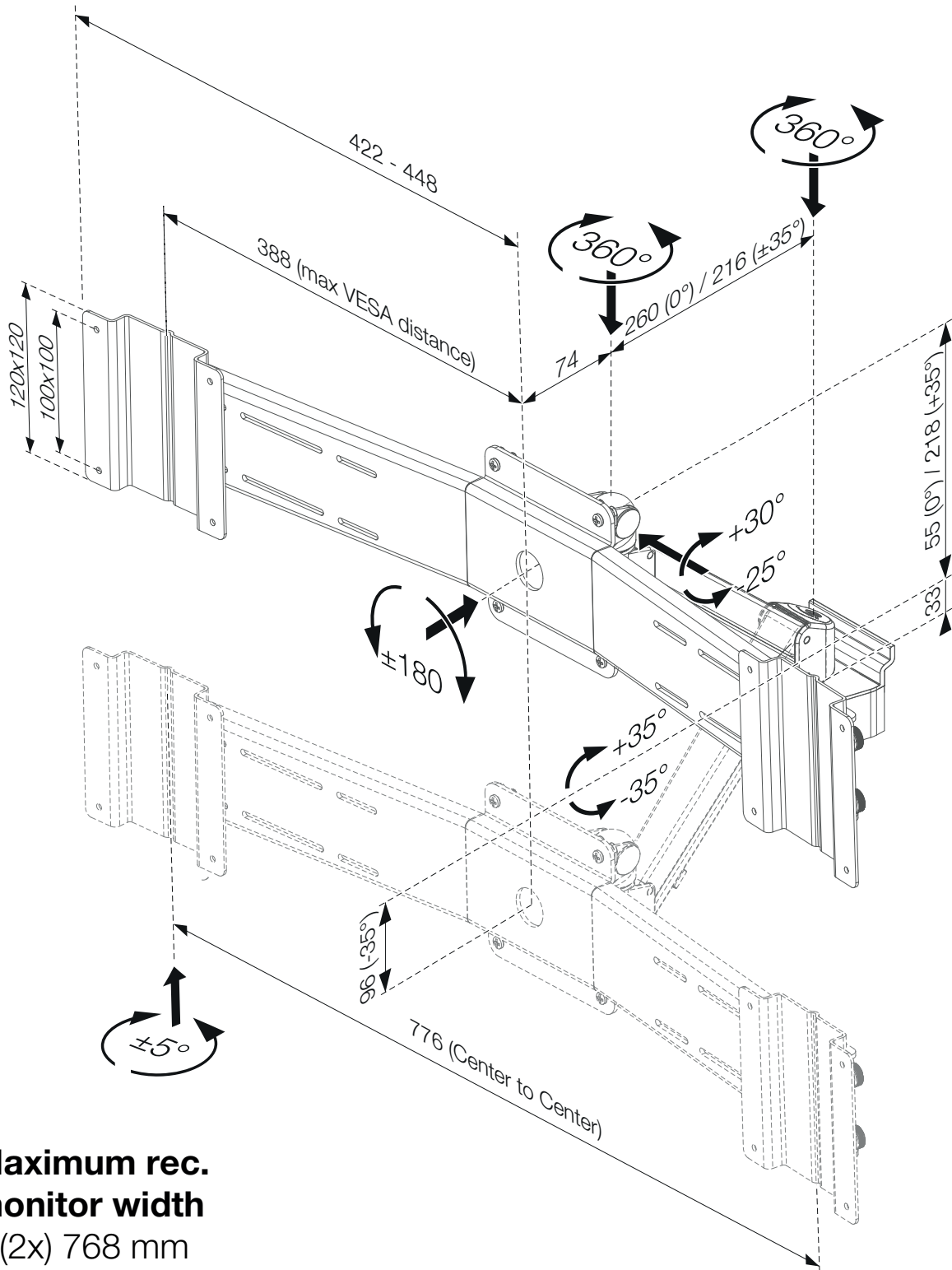




- 438-LC59
- 438-LC59W
- 438-LC59B

# Monitor Arm STOCKHOLM Toolbar Duo 2 x 6 kg, Gas Spring

## Oriented View



**Maximum rec.  
monitor width**  
• (2x) 768 mm



- 438-LC59
- 438-LC59W
- 438-LC59B

## Monitor Arm STOCKHOLM Toolbar Duo 2 × 6 kg, Gas Spring

Oriented View (Conceptum Bracket)

