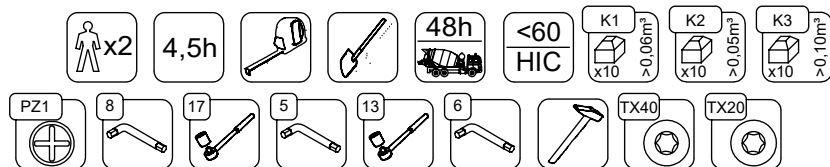
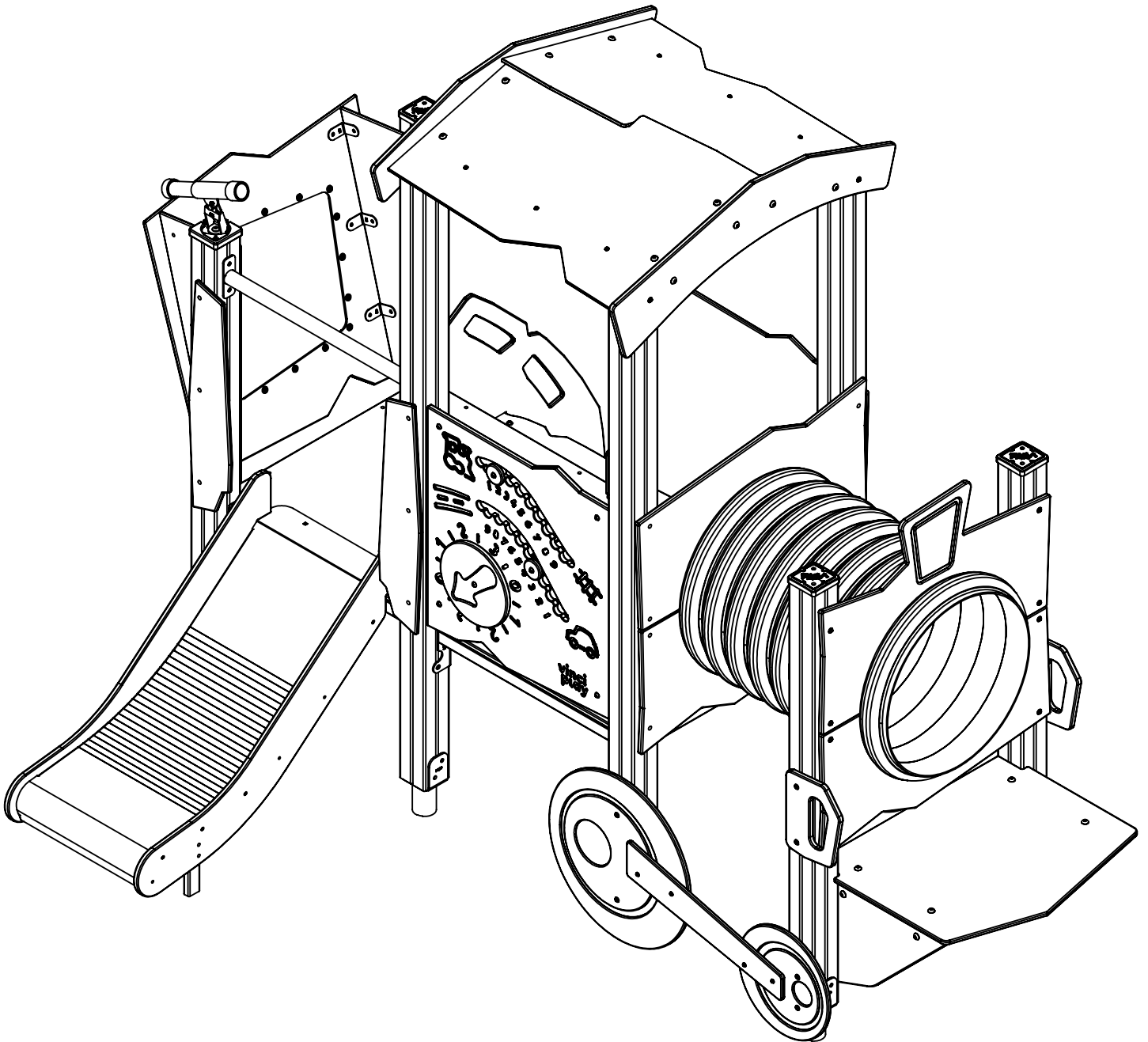
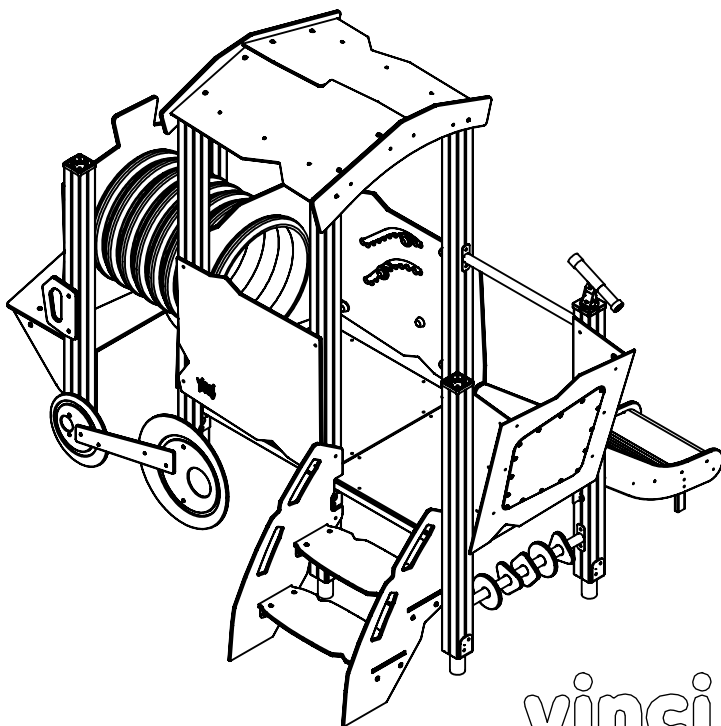
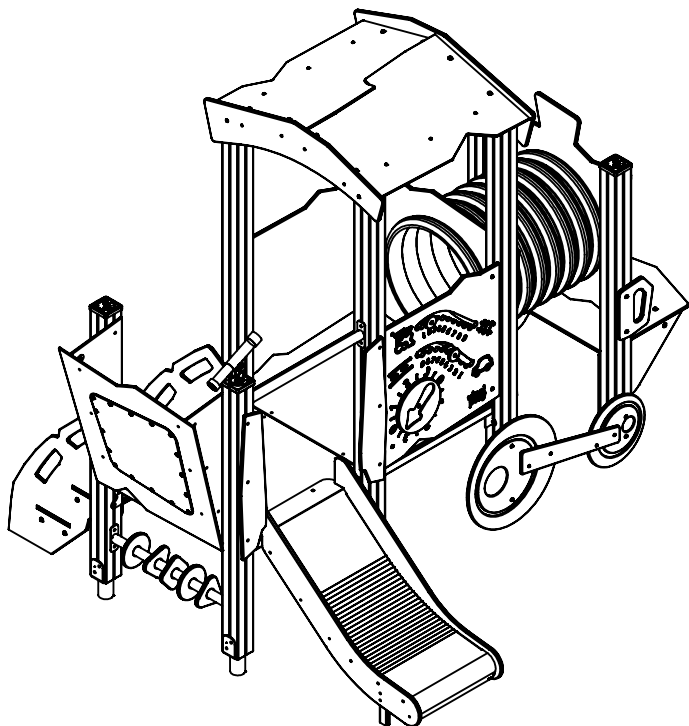
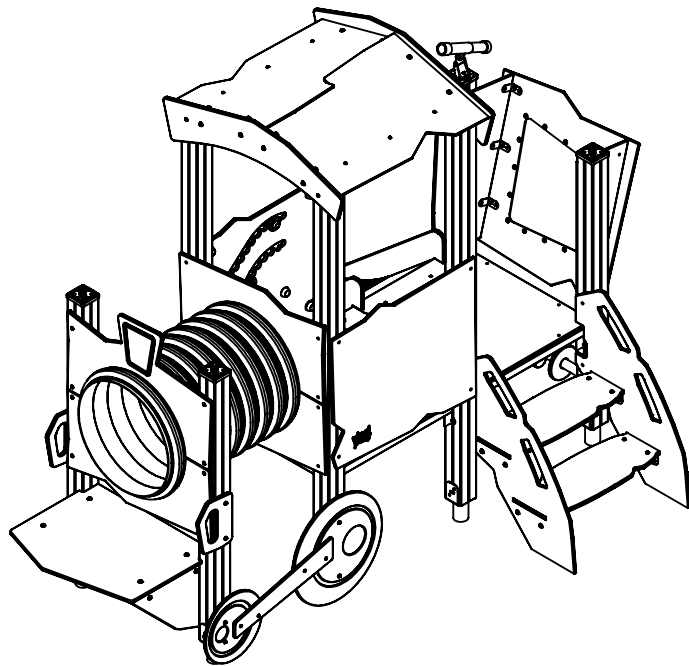
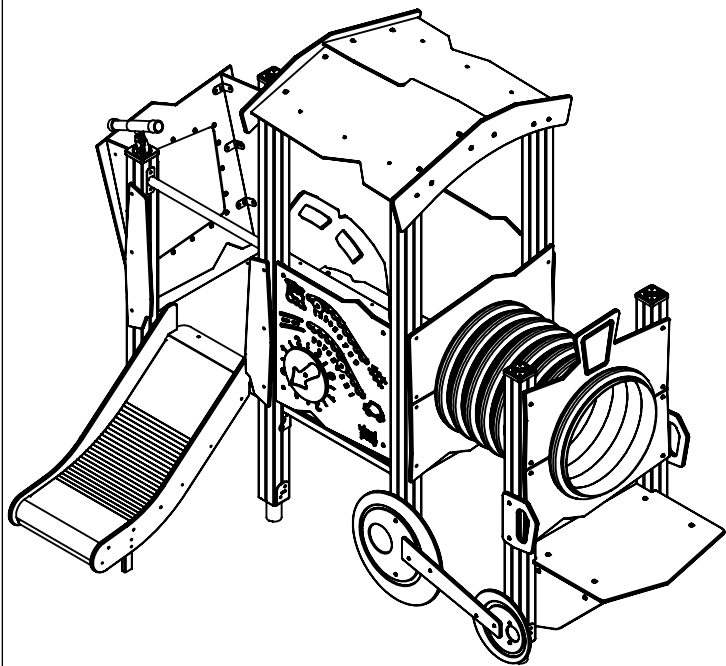


WD/RC 1551

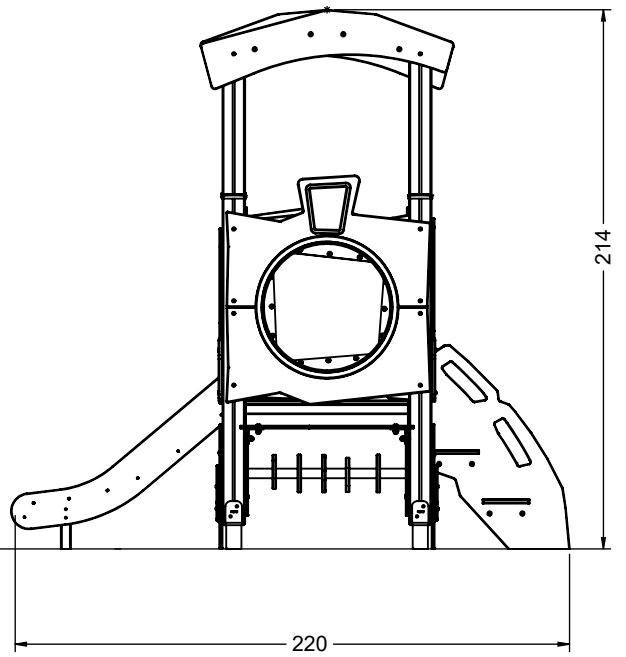
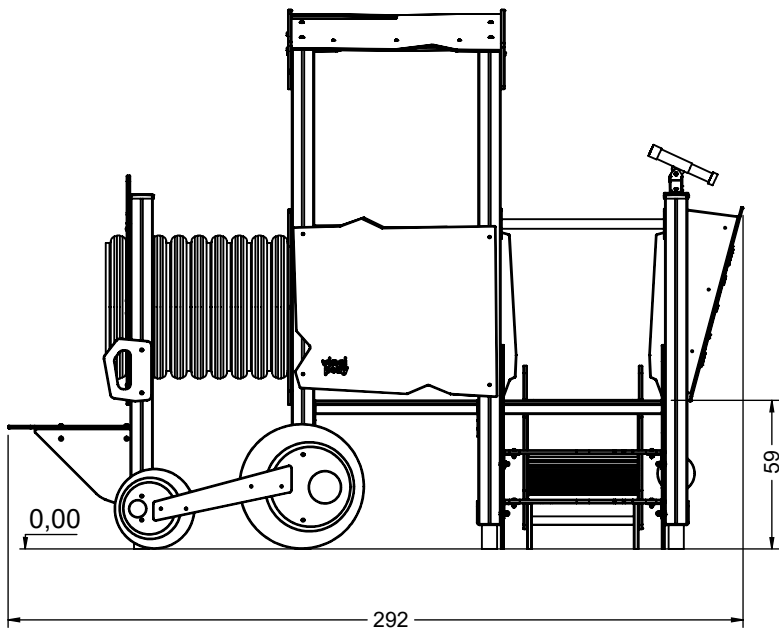


v015
19.12.2022
M.L.
[cm]

vinci
play



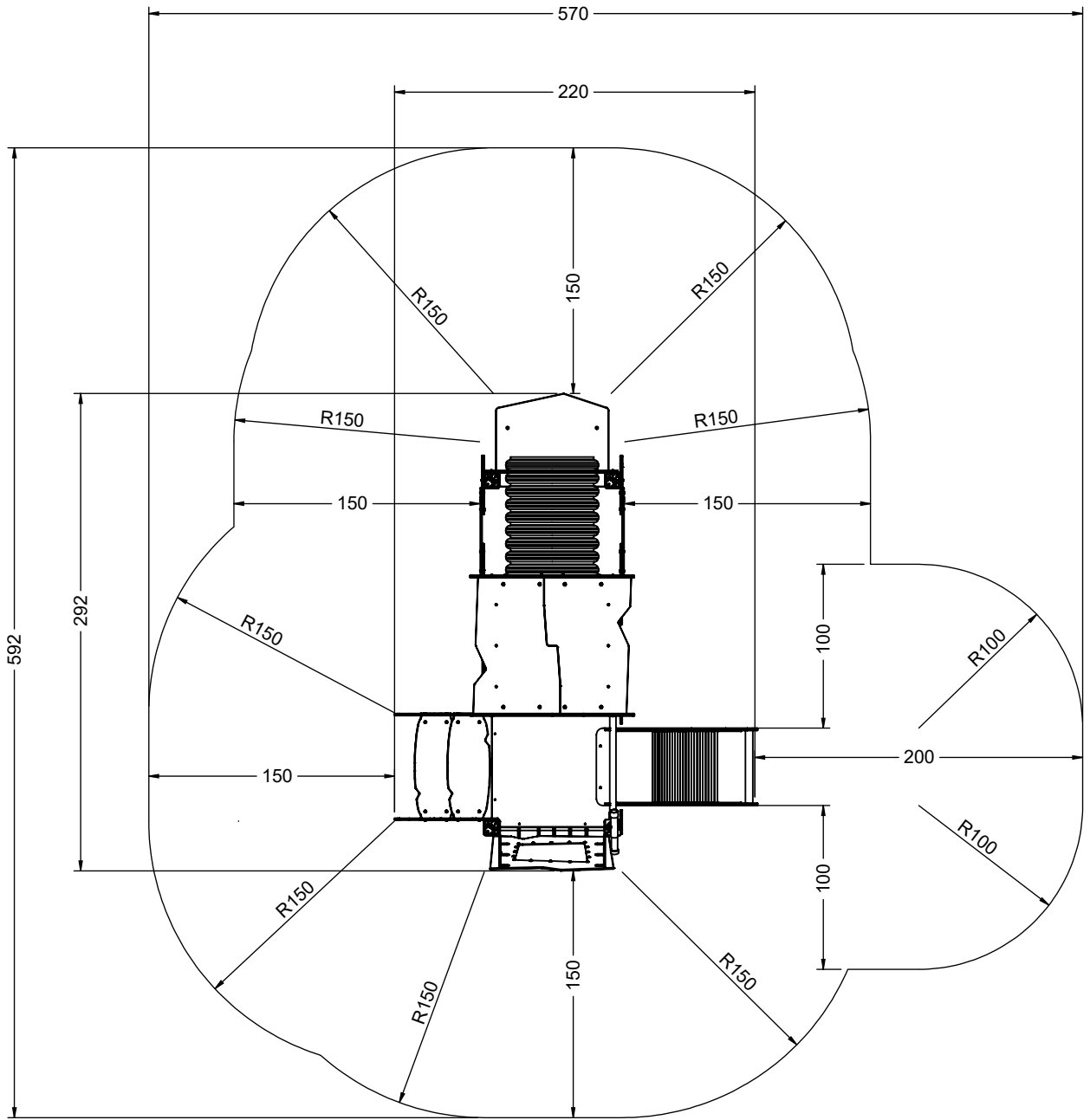
vinci
play



[cm]



vinci
play



[cm]



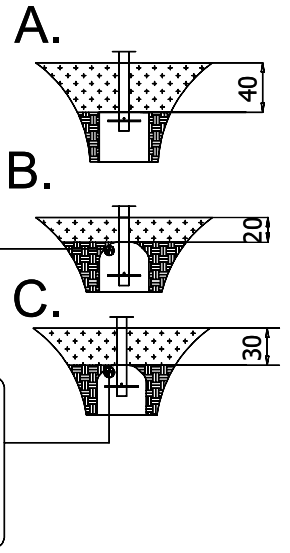
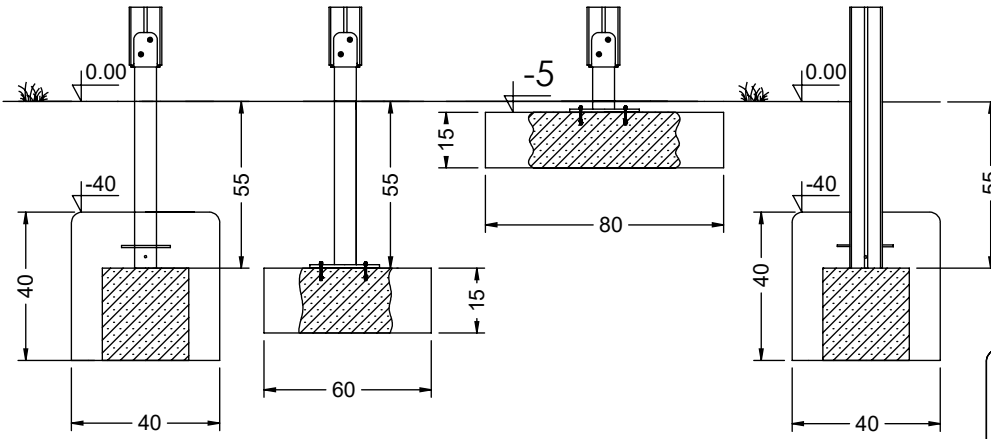
vinci
play

K1-(W)

K2

K3

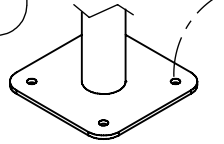
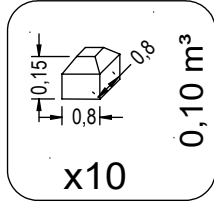
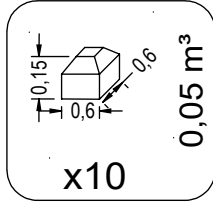
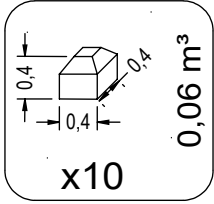
K1-(R)



K1

K2

K3



32x M10x120 (K2)
34x M10x120 (K3)



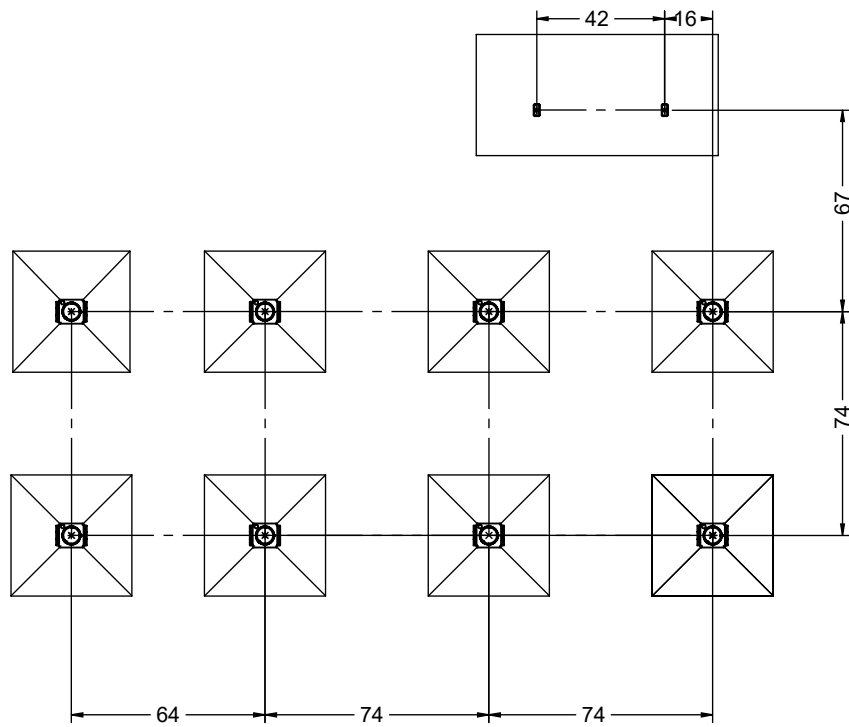
NOT INCLUDED



2x M8x120 (K2)



NOT INCLUDED



[cm]



4,5h

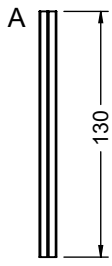


48h

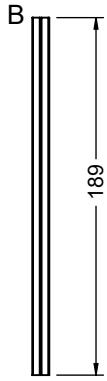


vinci
play

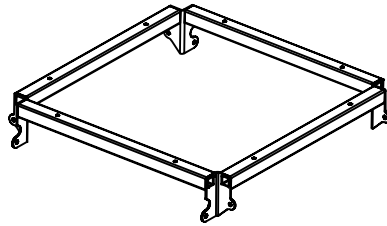
WOOD - (W)



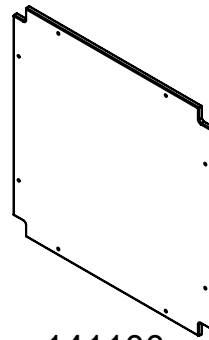
14713090
x4



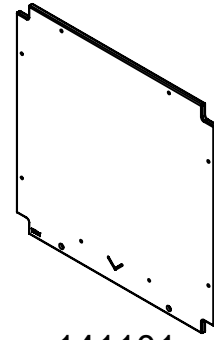
14718990
x4



142109
x2



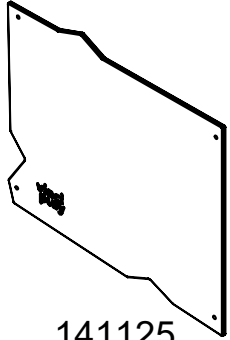
141100
x1



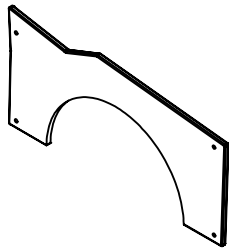
141101
x1



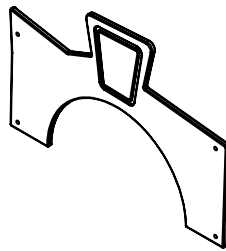
141133
x2



141125
x1



141140
x3



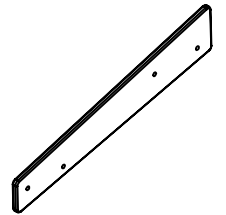
141304
x1



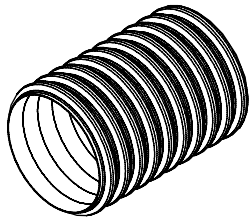
141311
x2



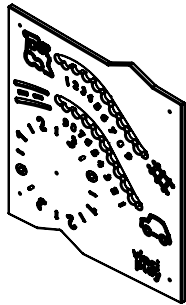
141310
x2



141312
x2



996132
x1



141303
x1



141319
x2



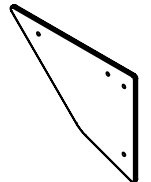
141307
x2



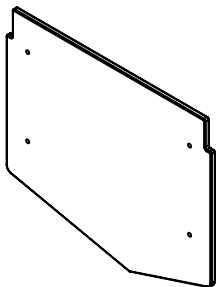
141188
x2



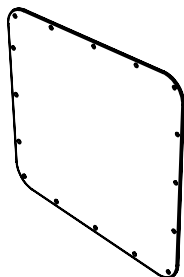
141189
x2



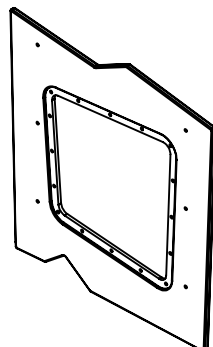
141309
x2



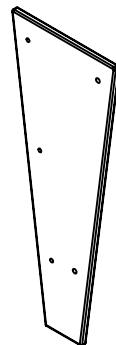
141308
x1



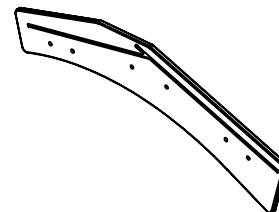
141306
x1



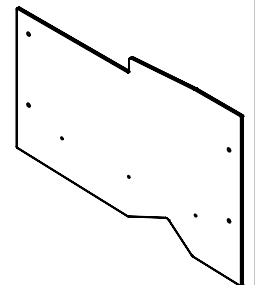
141305
x1



141137
x2

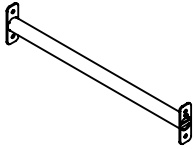


141313
x2

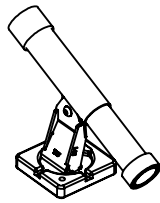


141314
x2

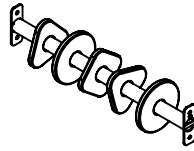
WOOD - (W)



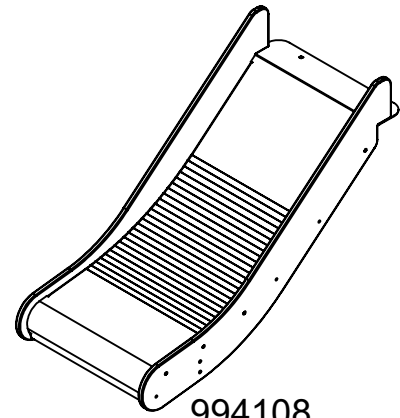
142117
x1



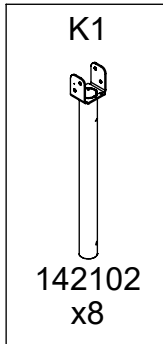
144247
x1



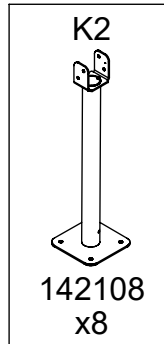
144126
x1



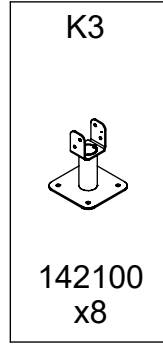
994108
x1



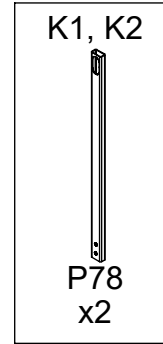
142102
x8



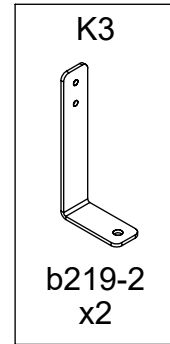
142108
x8



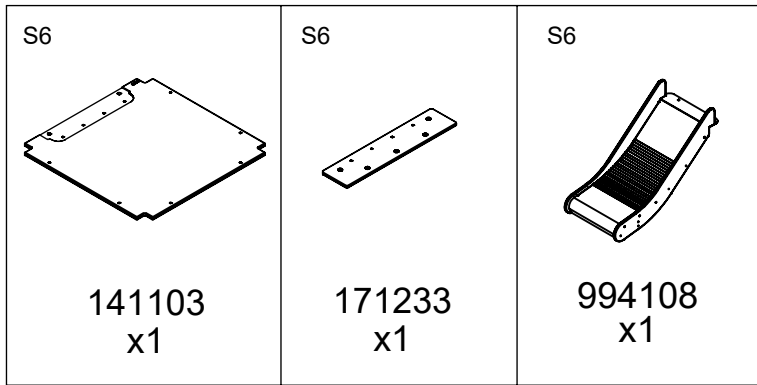
142100
x8



P78
x2



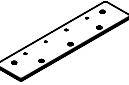
b219-2
x2



S6

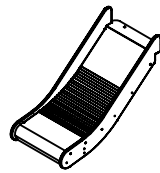
141103
x1

S6



171233
x1

S6



994108
x1

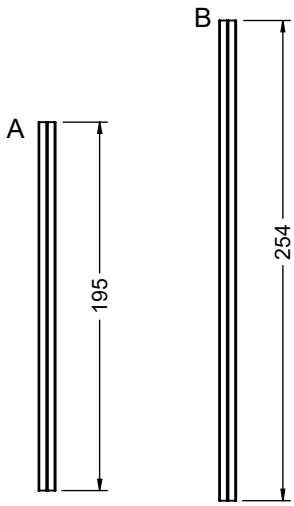
		Plywood/ HDPE		HPL	
114x	8x50 sxi	1x	WD74	1x	WD75
1x	E34 _(K1,K3)	1x	WD76	1x	WD77
1x	E35 _(K2)	1x	WE127	1x	WL127
3x	WD1	1x	WE128	1x	WL128
1x	V001	1x	WD25	1x	WD26
2x	6x80 sxt	1x	WE125	1x	WL125
4x	i128-1	2x	WE126	2x	WL126
		1x	CE83	1x	CL83
		1x	WS129	1x	WH129
		2x	WE130	2x	WL130
		1x	WD28 _(S1)	1x	WD29 _(S1)
		1x	WD113 _(S6)	1x	WD114 _(S6)
		1x	WD107	1x	WD107
		1x	WD108	1x	WD109
				2x	E130
				1x	P061 S6

[cm]

vinci
play

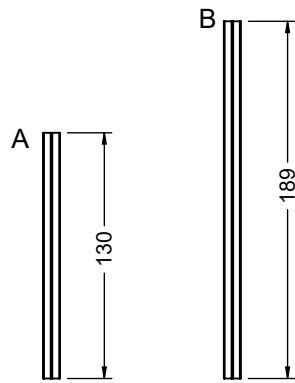
RECYCLED - (R)

K1

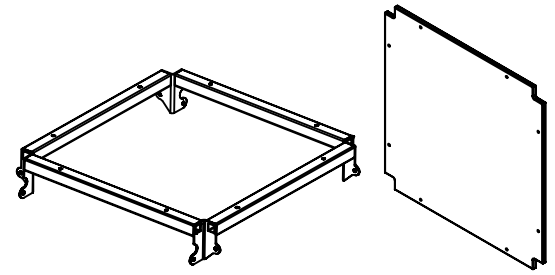


14919590 x4
14925490 x4

K2,K3

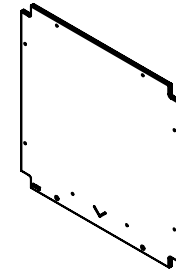


14913090 x4
14918990 x4



142109 x2

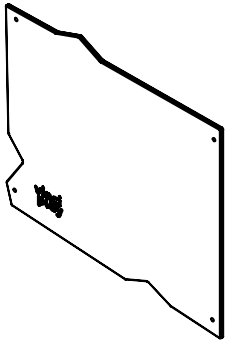
141100 x1



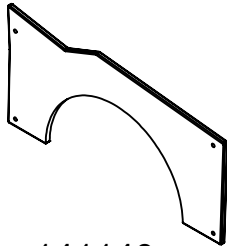
141101 x1



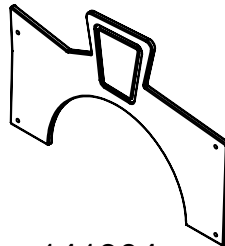
141133 x2



141125 x1



141140 x3



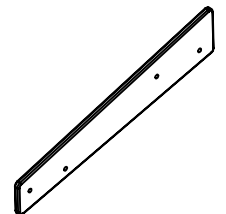
141304 x1



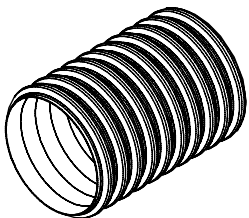
141311 x2



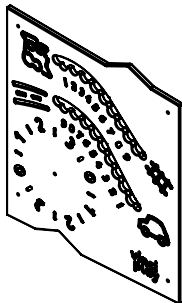
141310 x2



141312 x2



996132 x1



141303 x1



141319 x2



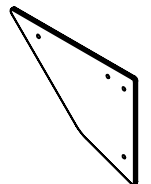
141307 x2



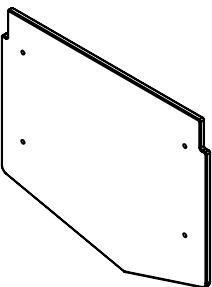
141188 x2



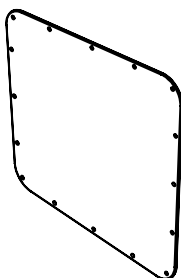
141189 x2



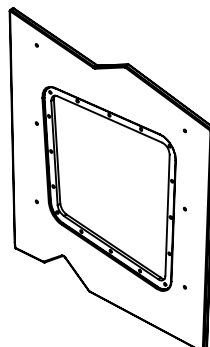
141309 x2



141308 x1



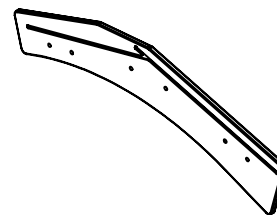
141306 x1



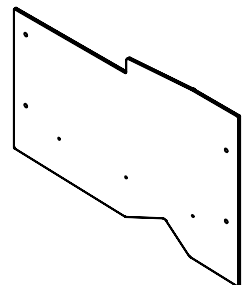
141305 x1



141137 x2



141313 x2

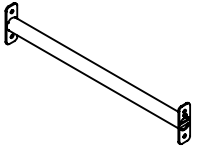


141314 x2

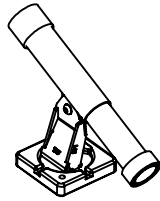
[cm]

vinci play

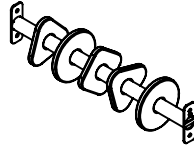
RECYCLED - (R)



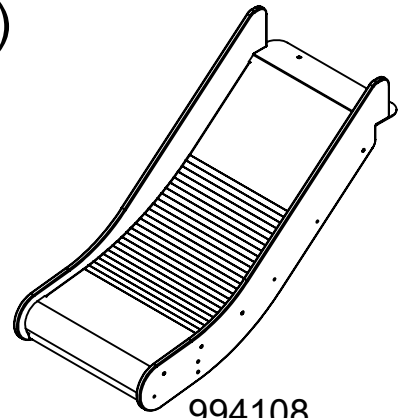
142117
x1



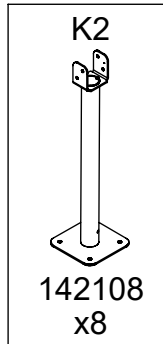
144247
x1



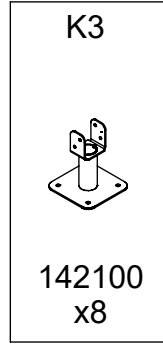
144126
x1



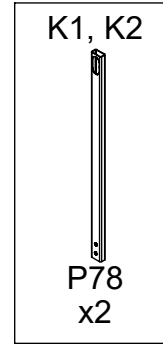
994108
x1



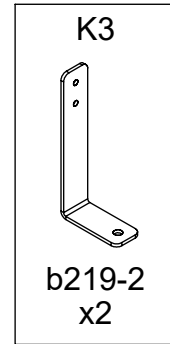
K2
142108
x8



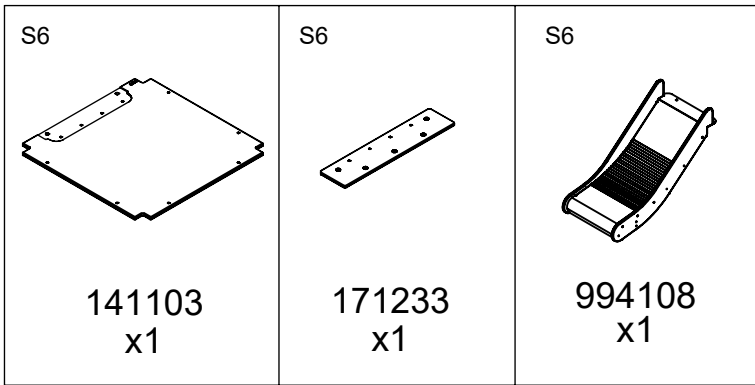
K3
142100
x8



K1, K2
P78
x2



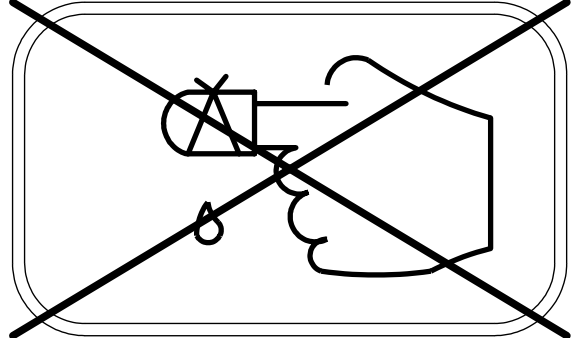
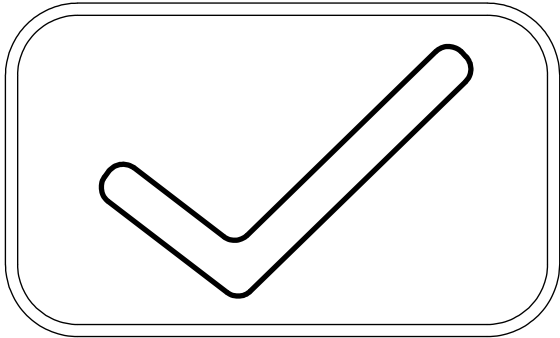
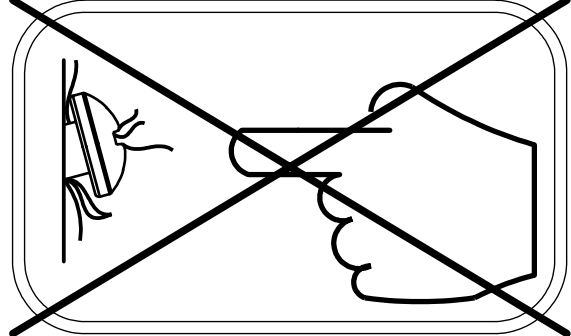
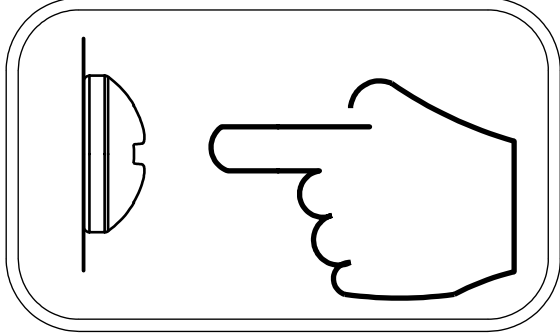
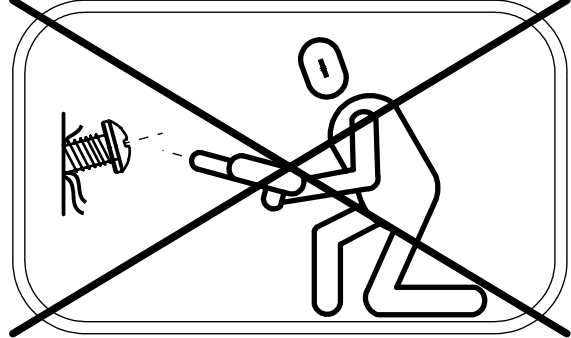
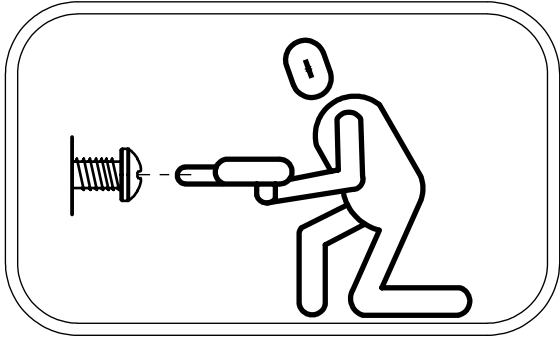
K3
b219-2
x2



			Plywood/ HDPE		HPL
32x	8x50 sxi (K2,K3)	1x	WD74	1x	WD75
82x	8x50 sxi	1x	WD76	1x	WD77
1x	E34(K1,K3)	1x	WE127	1x	WL127
1x	E35(K2)	1x	WE128	1x	WL128
3x	WD1	1x	WD25	1x	WD26
1x	V001	1x	WE125	1x	WL125
2x	6x80 sxt	2x	WE126Q	2x	WL126
4x	i128-1	1x	CE83Q	1x	CL83
		1x	WS129	1x	WH129
		2x	WE130	2x	WL130
		1x	WD28(S1)	1x	WD29(S1)
		1x	WD113(S6)	1x	WD114(S6)
		1x	WD107	1x	WD107
		1x	WD108	1x	WD109
				2x	E130
				1x	P061 S6

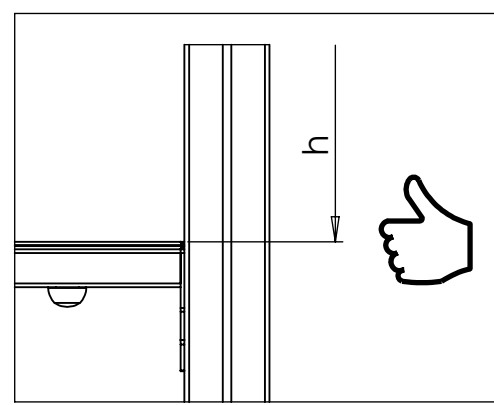
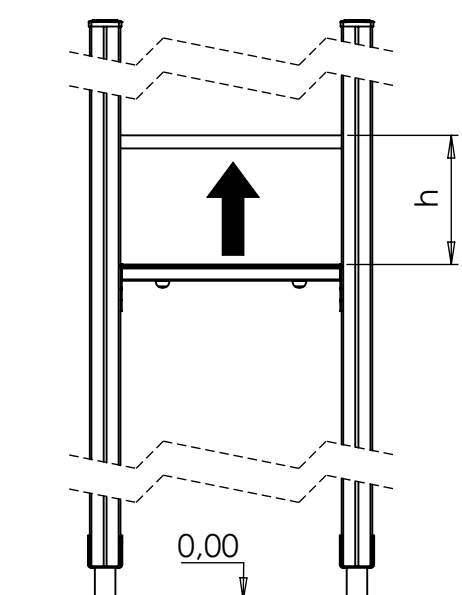
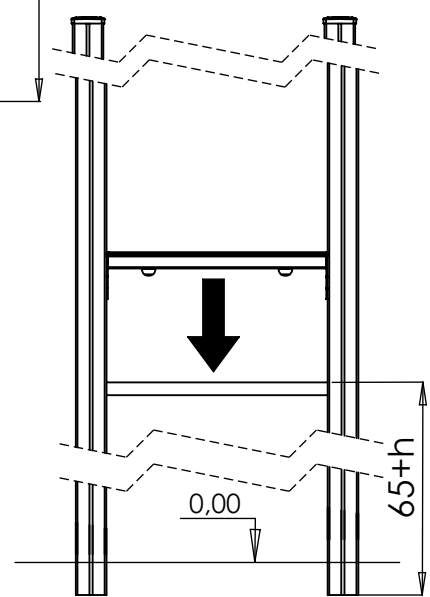
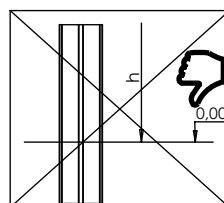
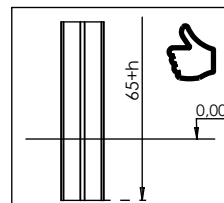
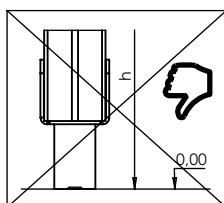
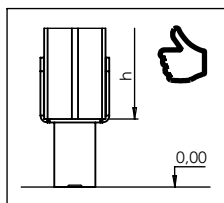
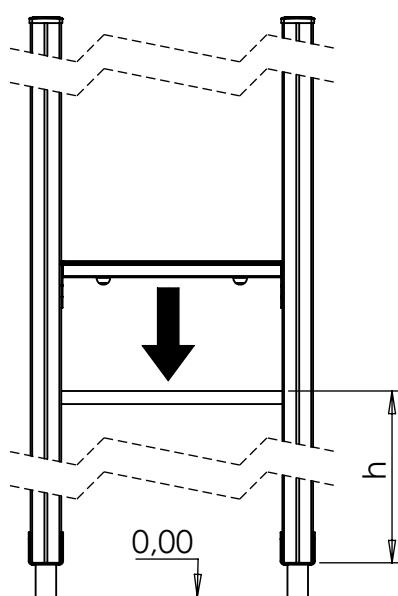
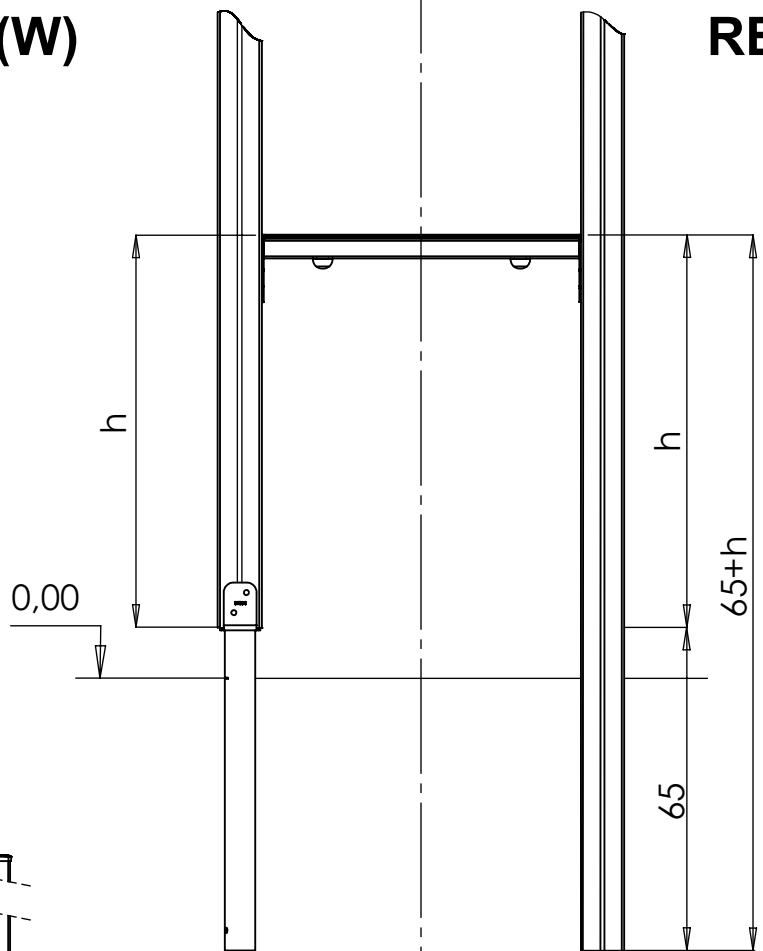
[cm]

vinci
play



WOOD - (W)

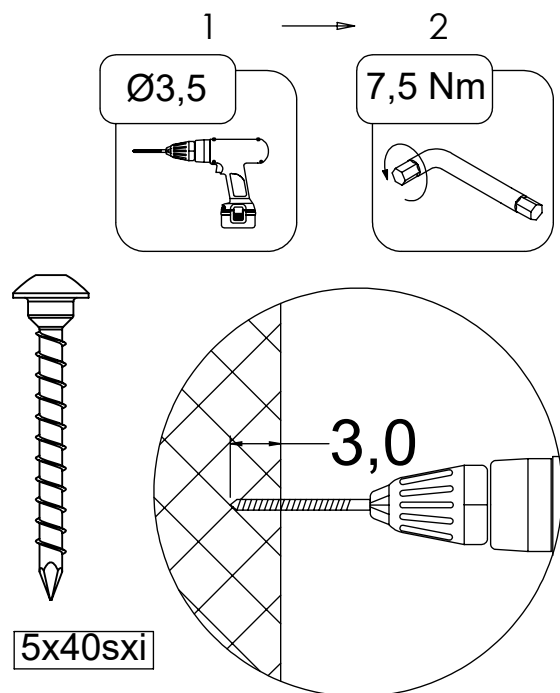
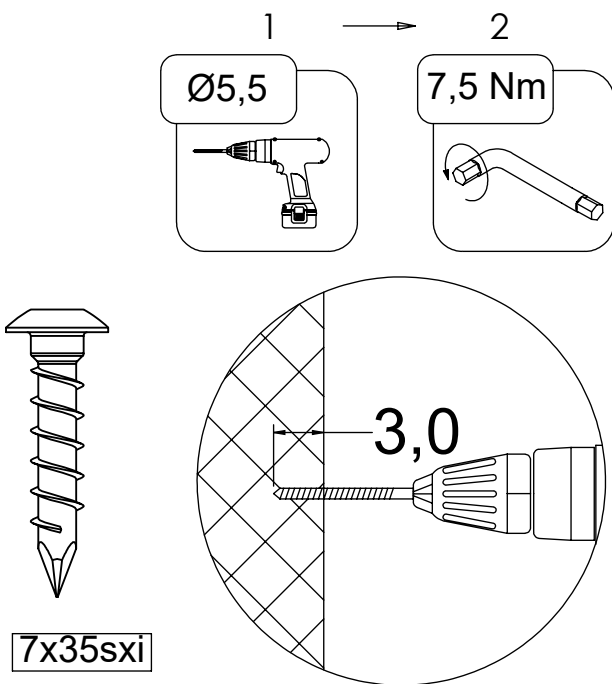
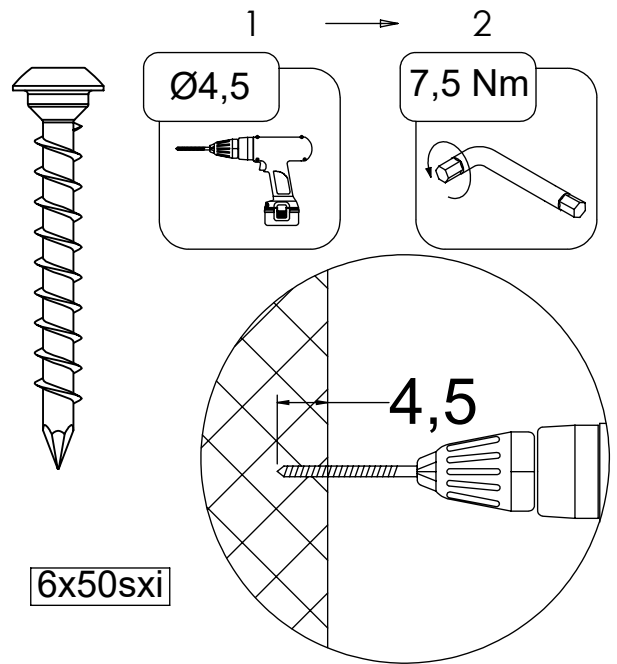
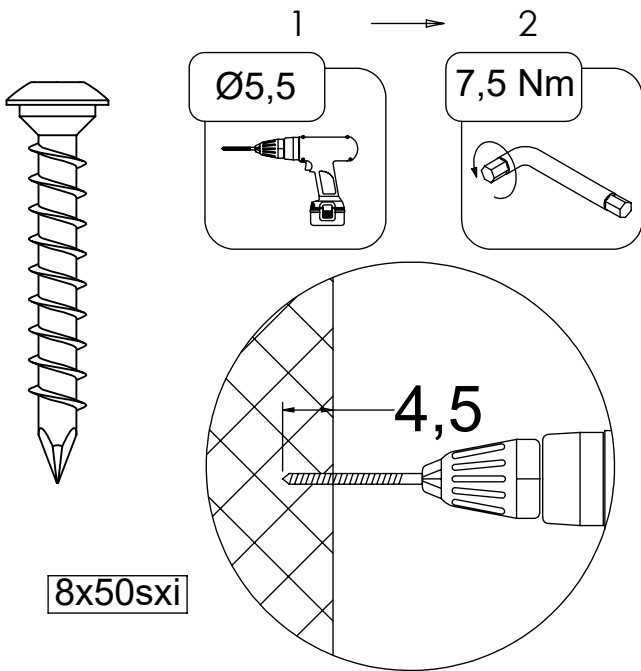
RECYCLED - (R)



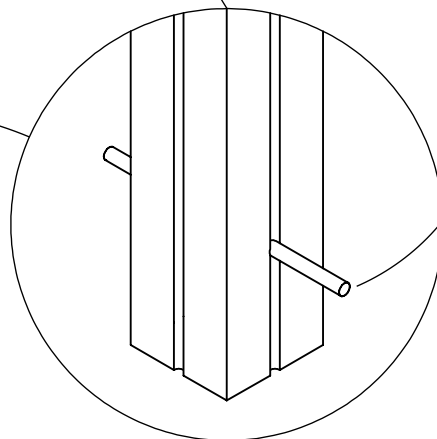
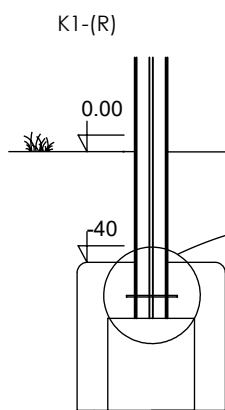
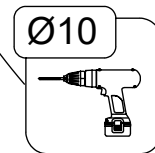
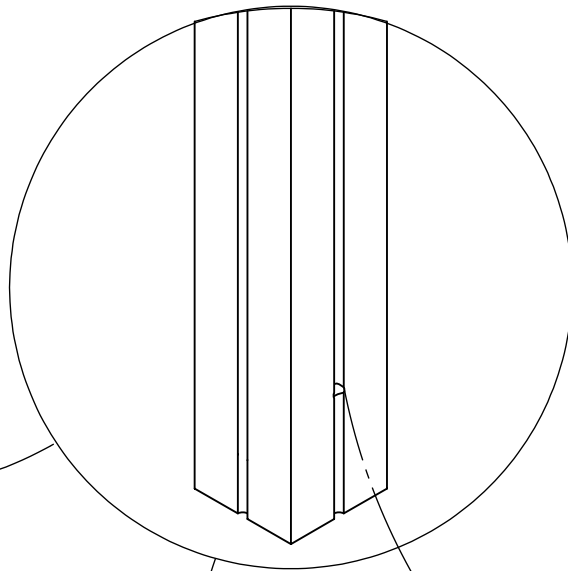
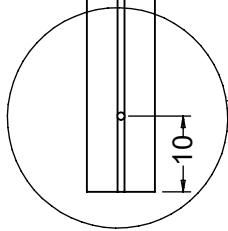
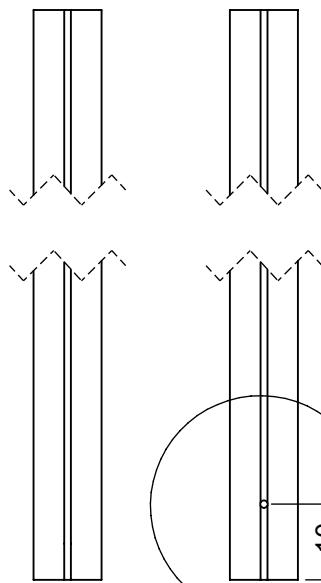
[cm]

vinci play

RECYCLED!

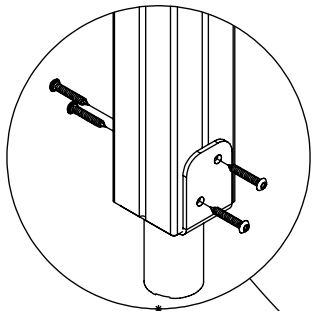


RECYCLED!

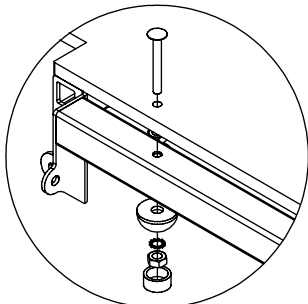
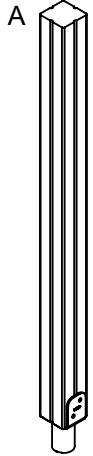
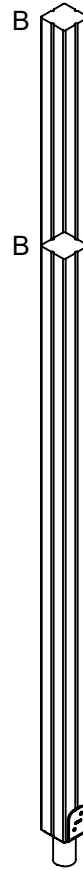
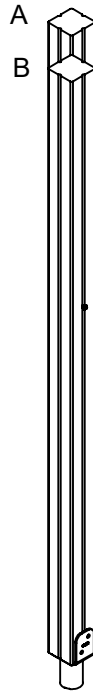
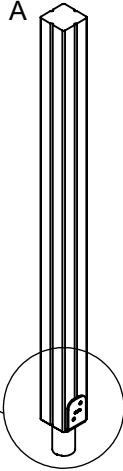
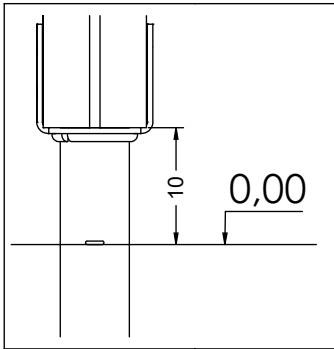


REINFORCING BAR
Ø8mmx180mm

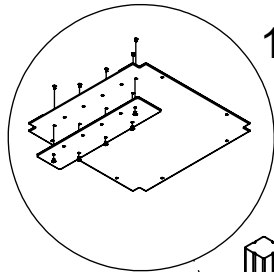
K1,K2,K3 - (W)
K2,K3 - (R)



8x50 sxi

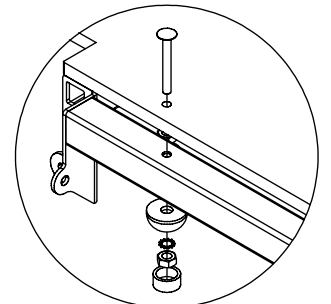
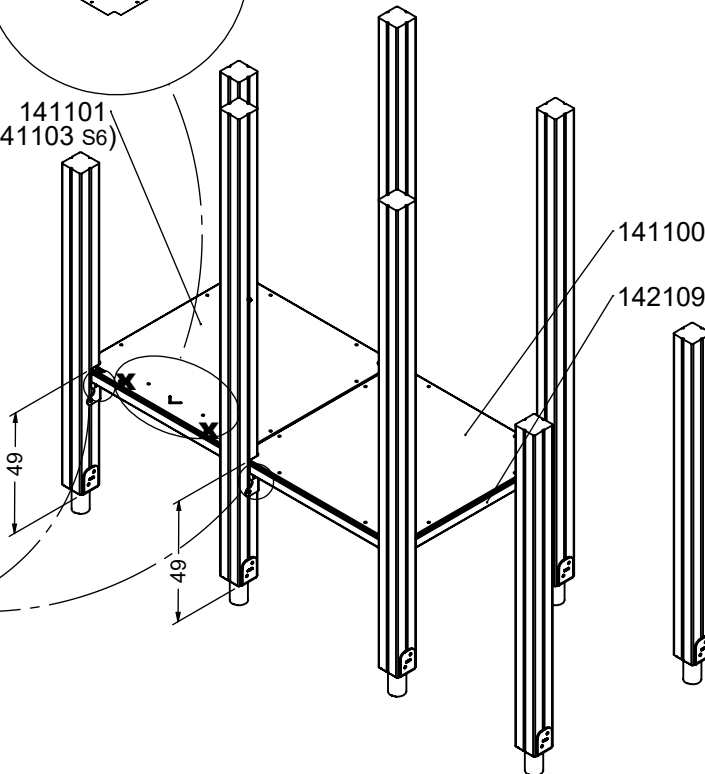
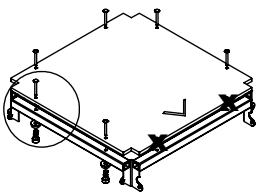


PLYWOOD HPL
WD74 WD75

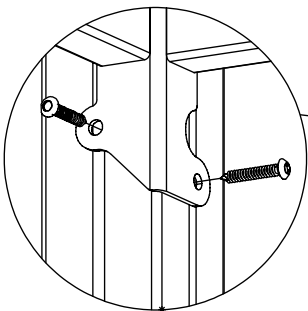
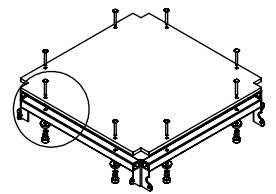


1x P061 S6

141101
(141103 S6)

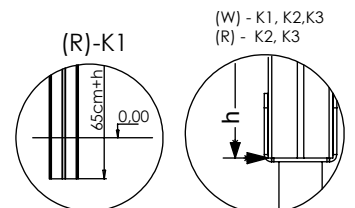
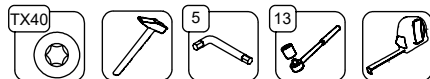


PLYWOOD HPL
WD76 WD77



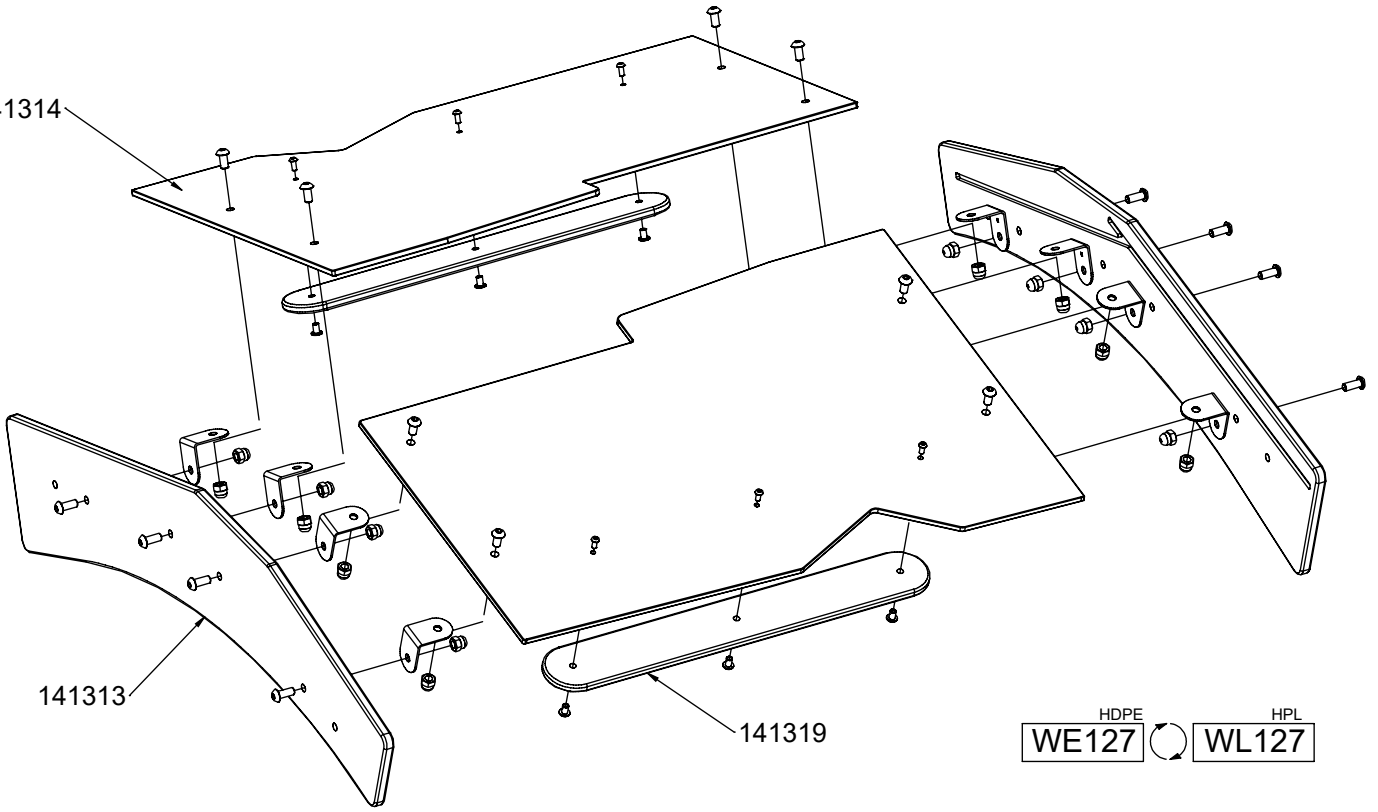
8x50 sxi

[cm]



vinci
play

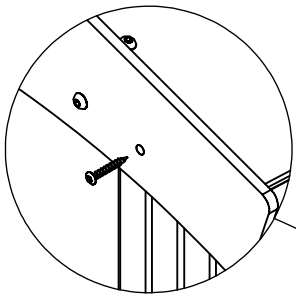
141314



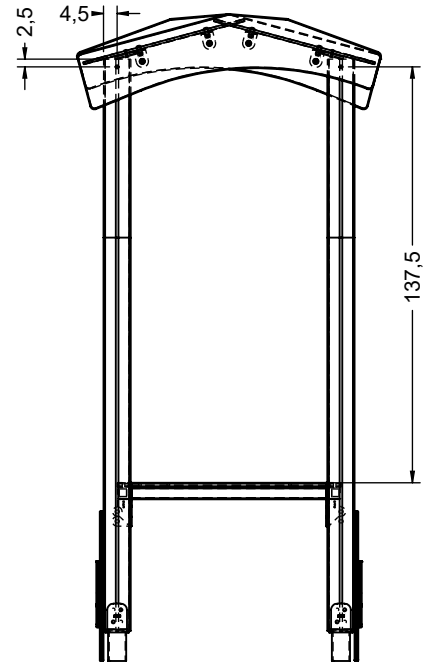
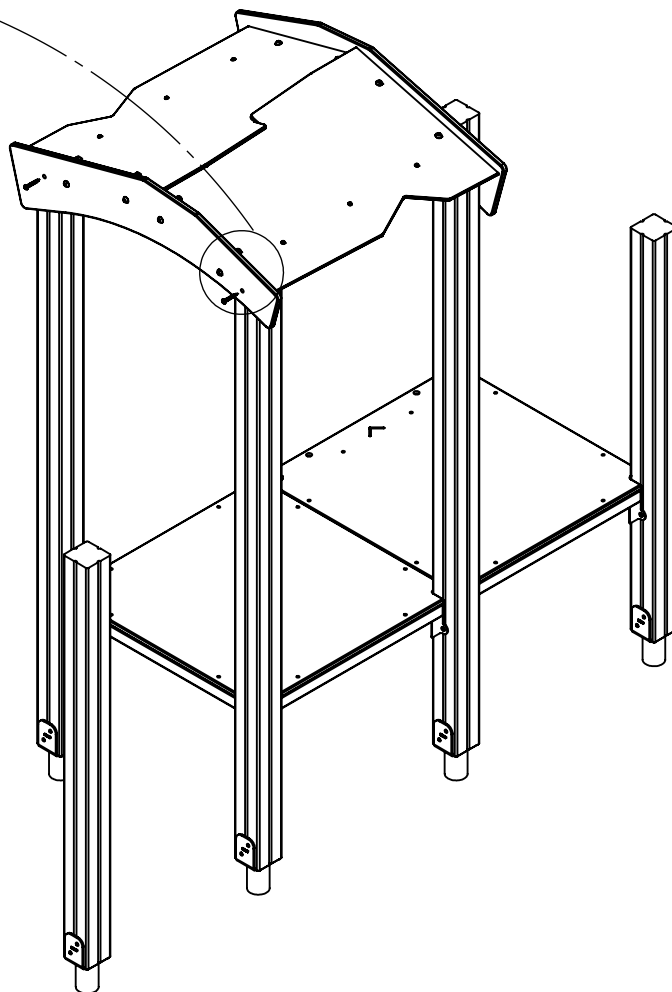
141313

141319

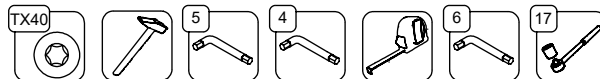
HDPE WE127 HPL WL127



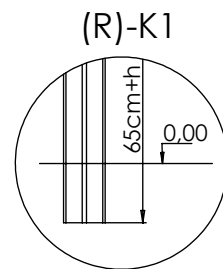
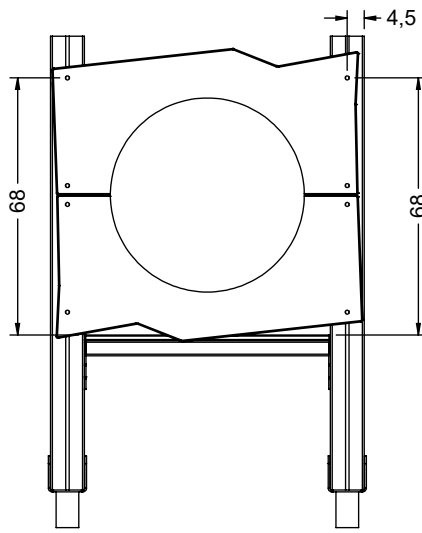
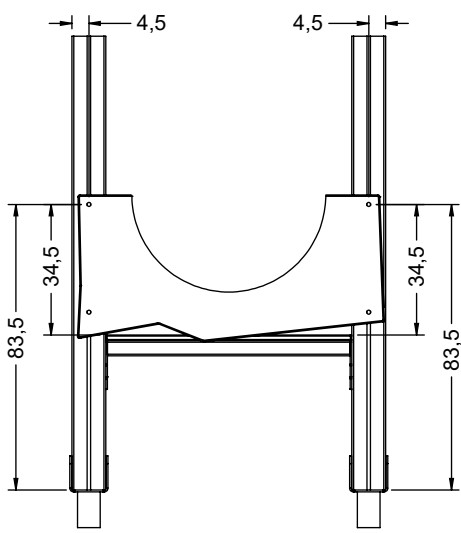
8x50 sxi



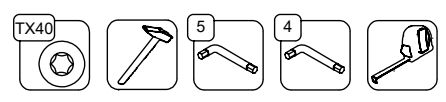
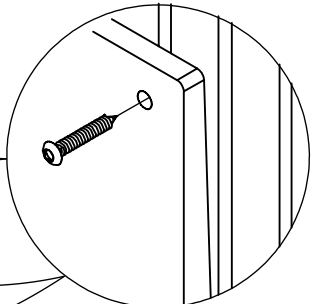
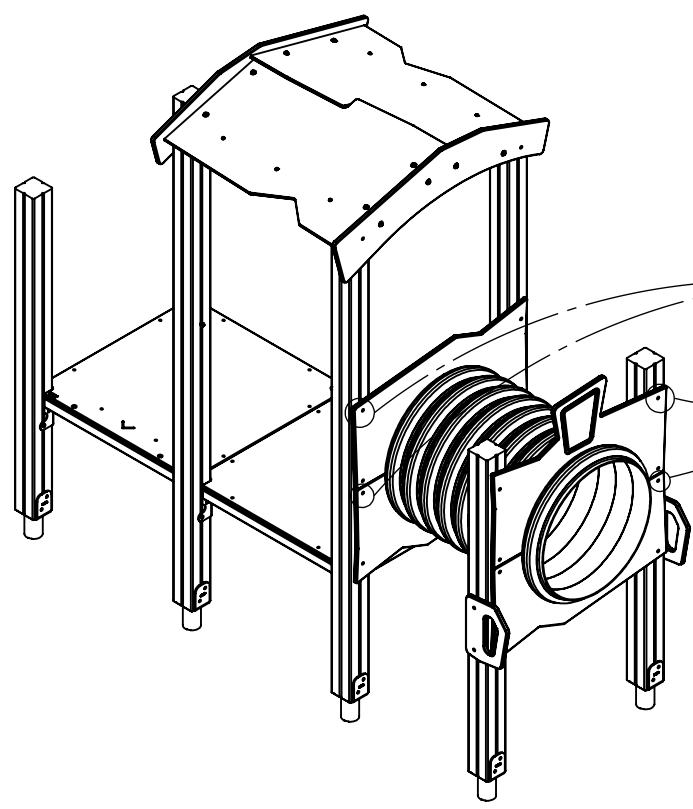
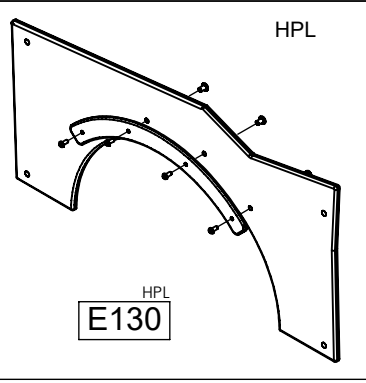
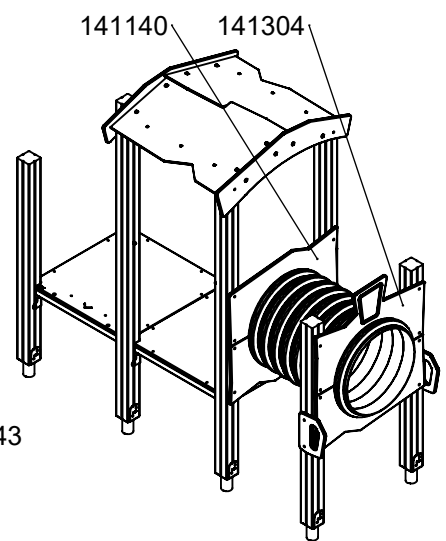
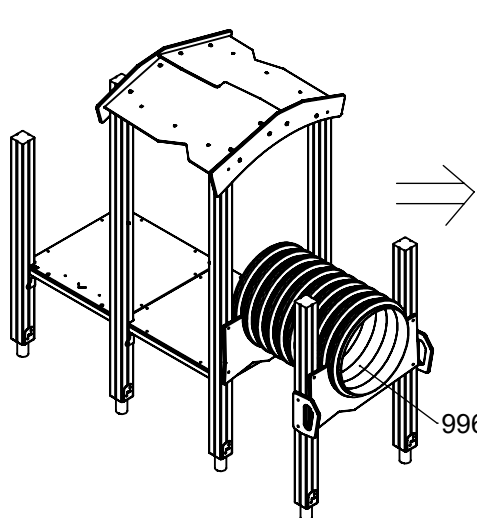
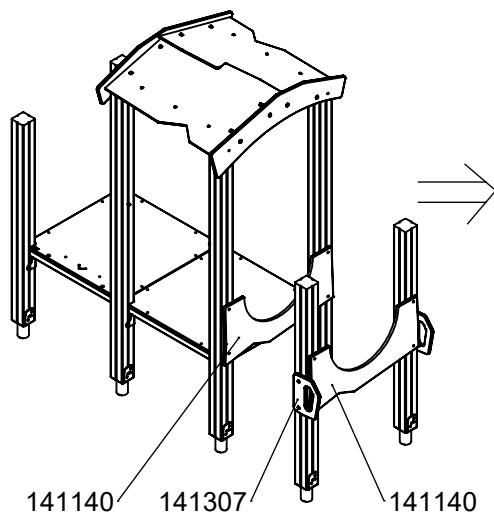
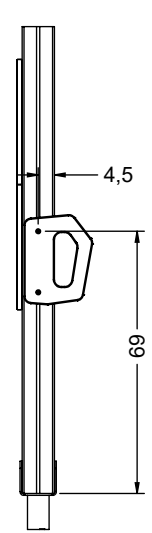
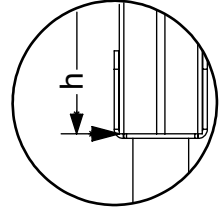
[cm]



vinci
play

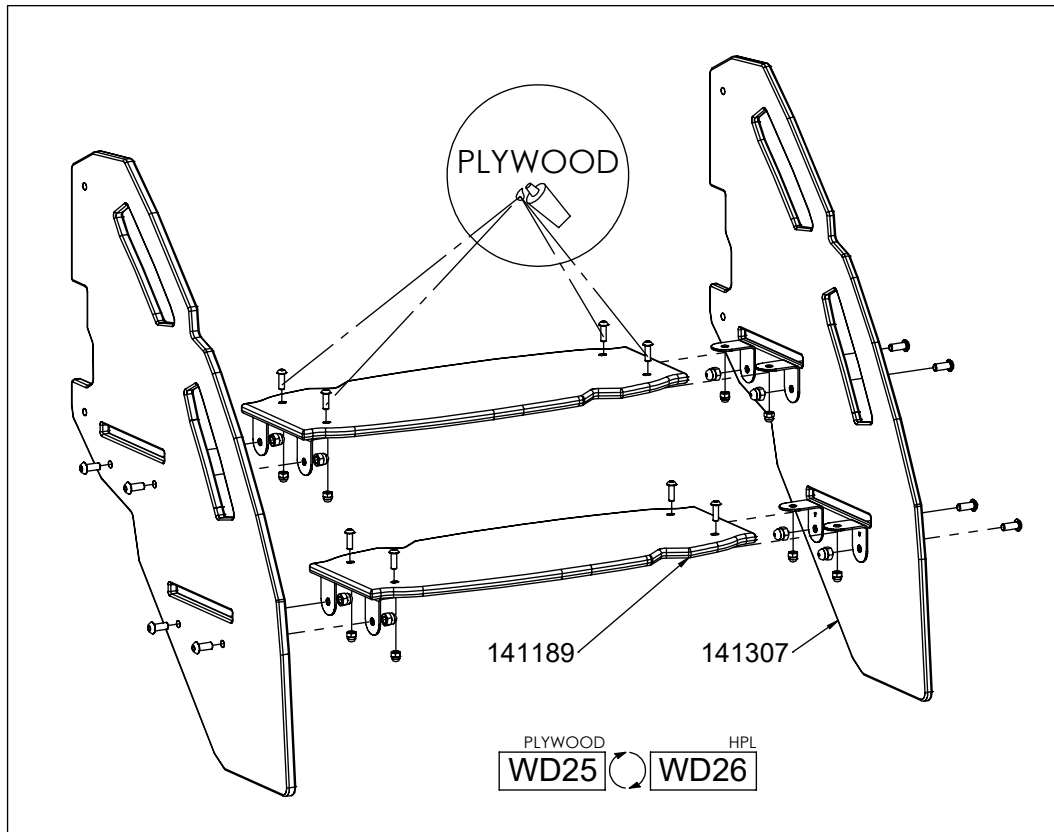
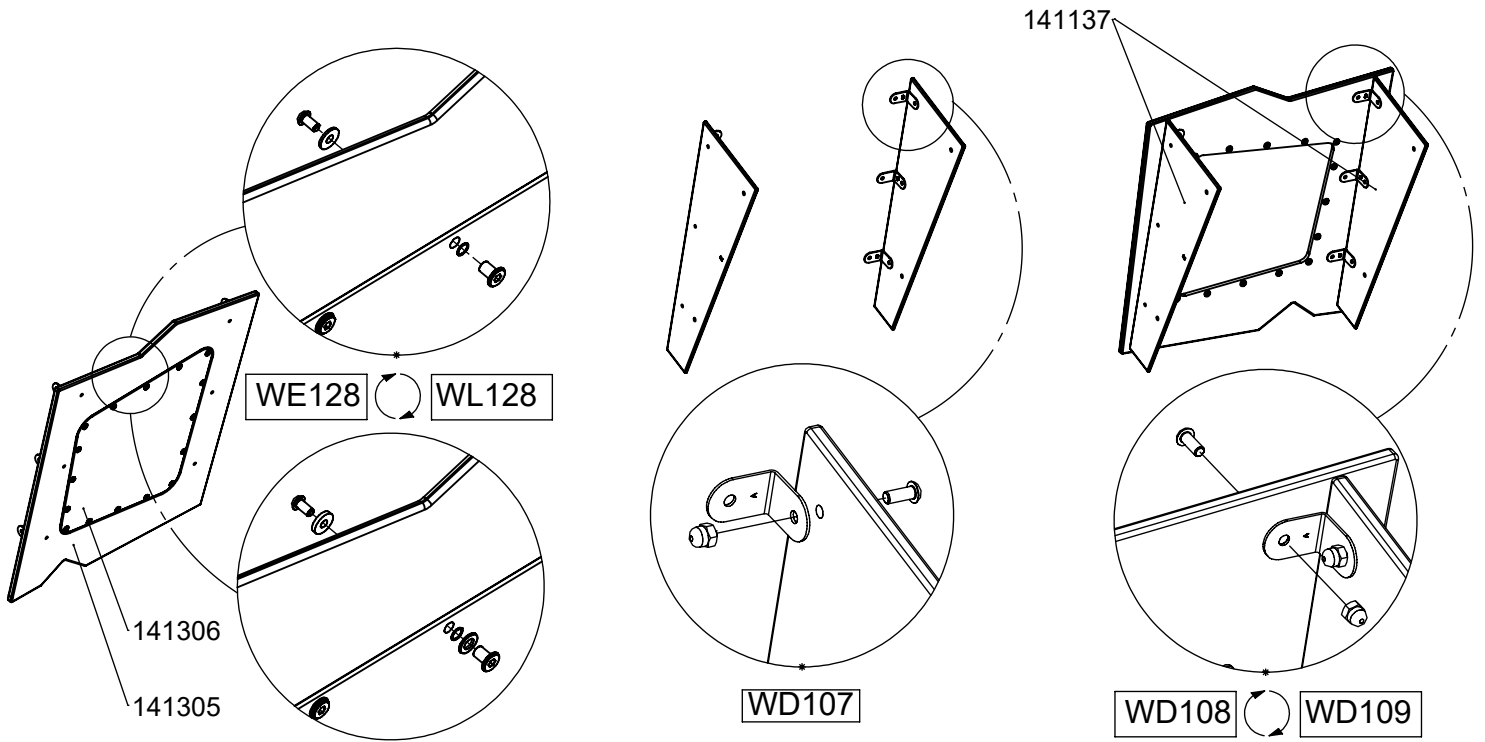


(W) - K1, K2, K3
(R) - K2, K3



[cm]

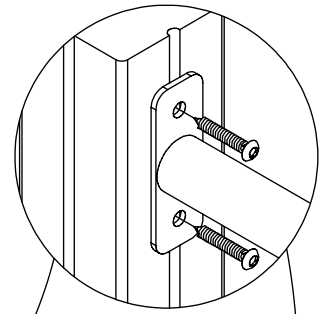
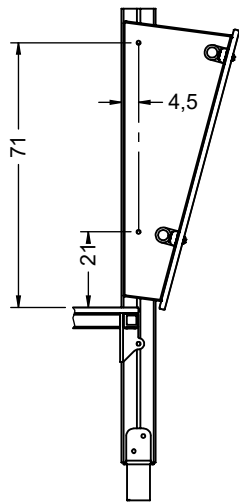
vinci play



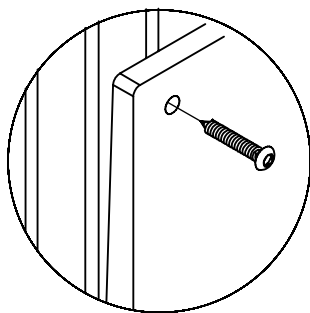
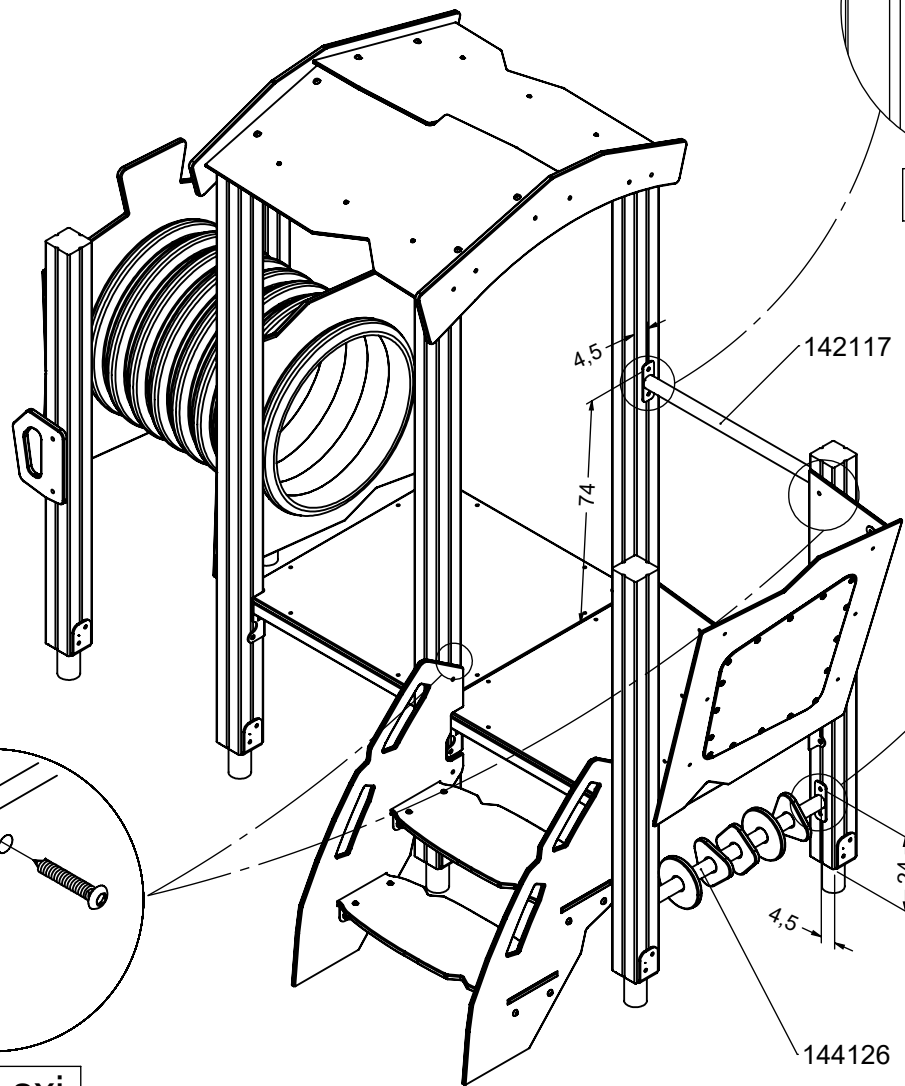
[cm]



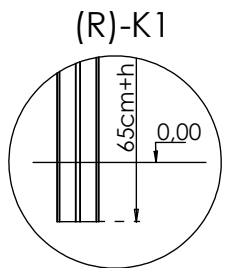
vinci
play



8x50 sxi

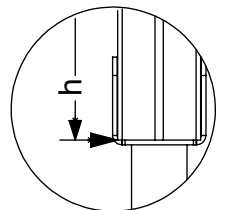


8x50 sxi



(R)-K1

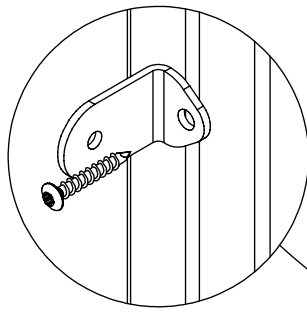
(W) - K1, K2, K3
(R) - K2, K3



[cm]

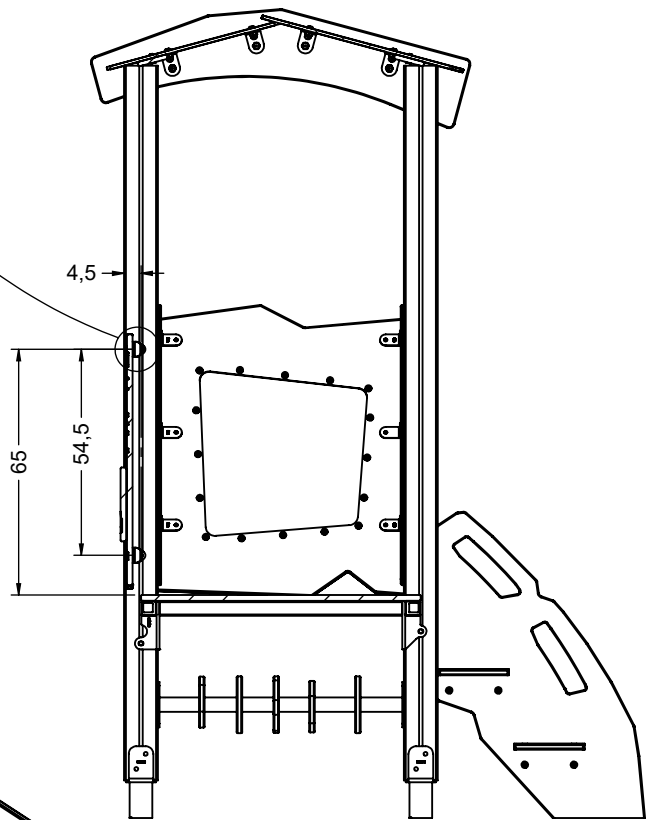


vinci
play

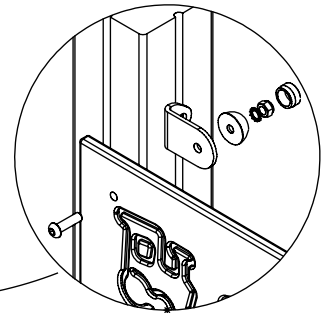
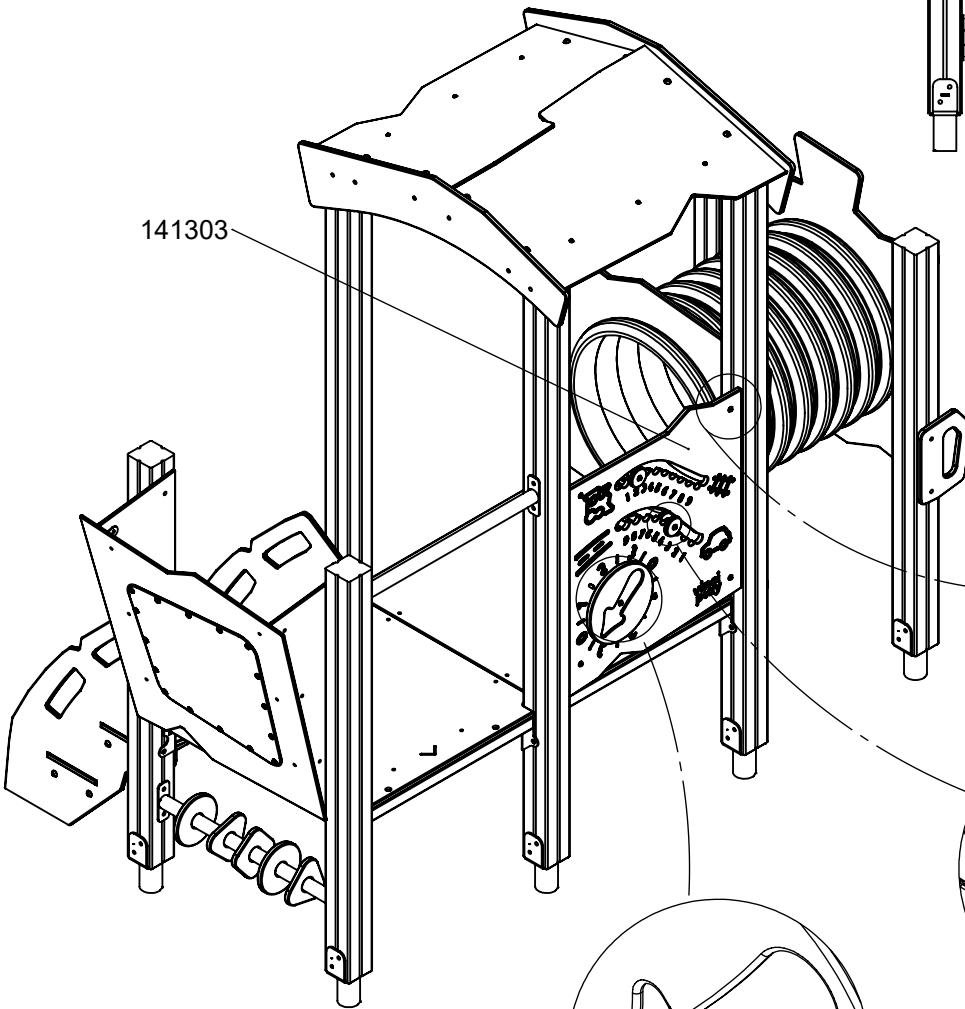


8x50 sxi

i128-1

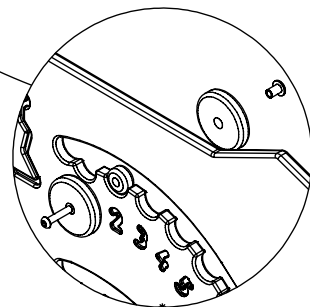


141303



WE125

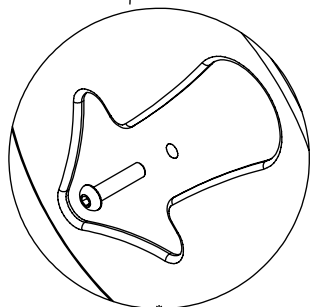
WL125



WE126

WL126

WE126Q



CE83

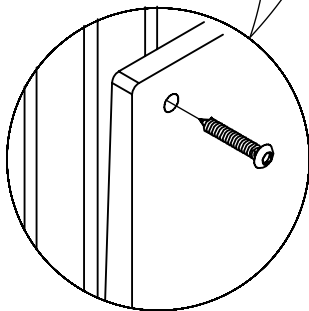
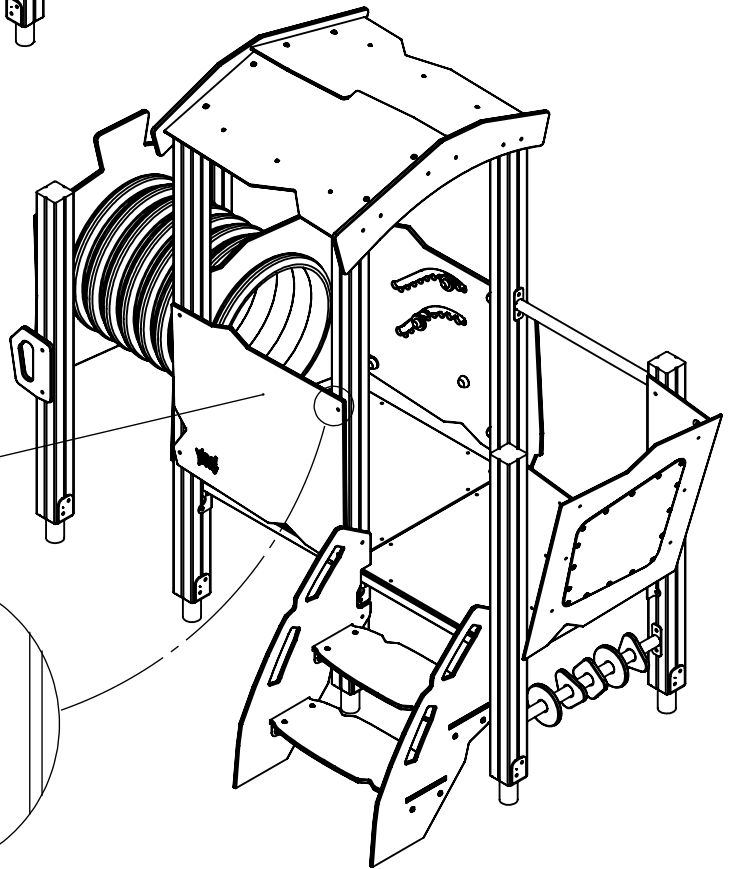
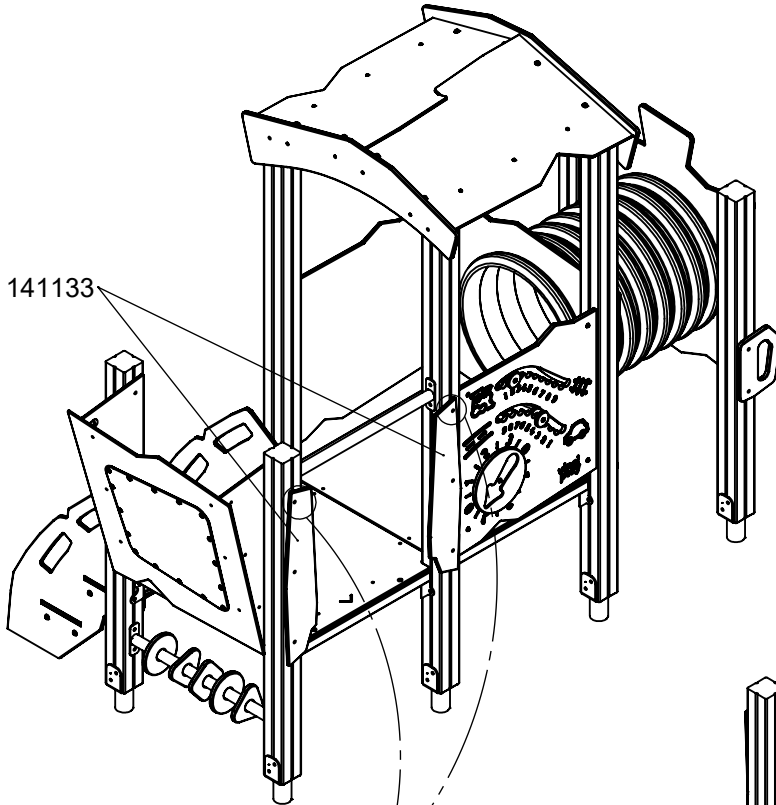
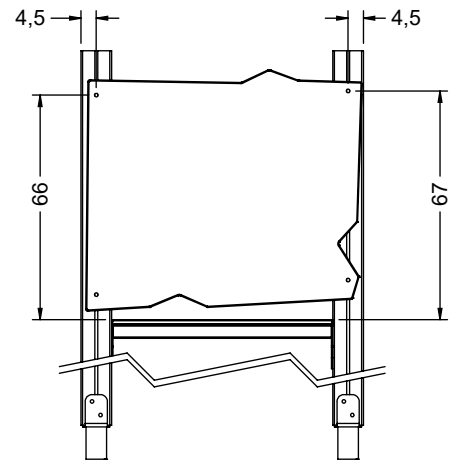
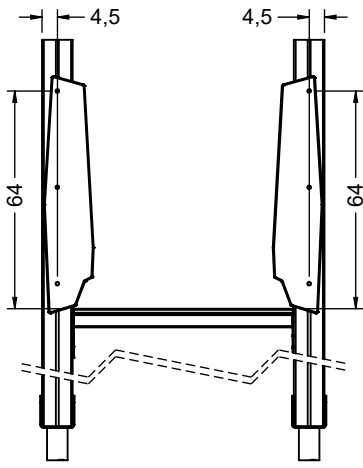
CL83

CE83Q

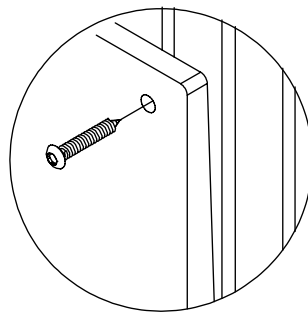


[cm]

vinci play



8x50 sxi

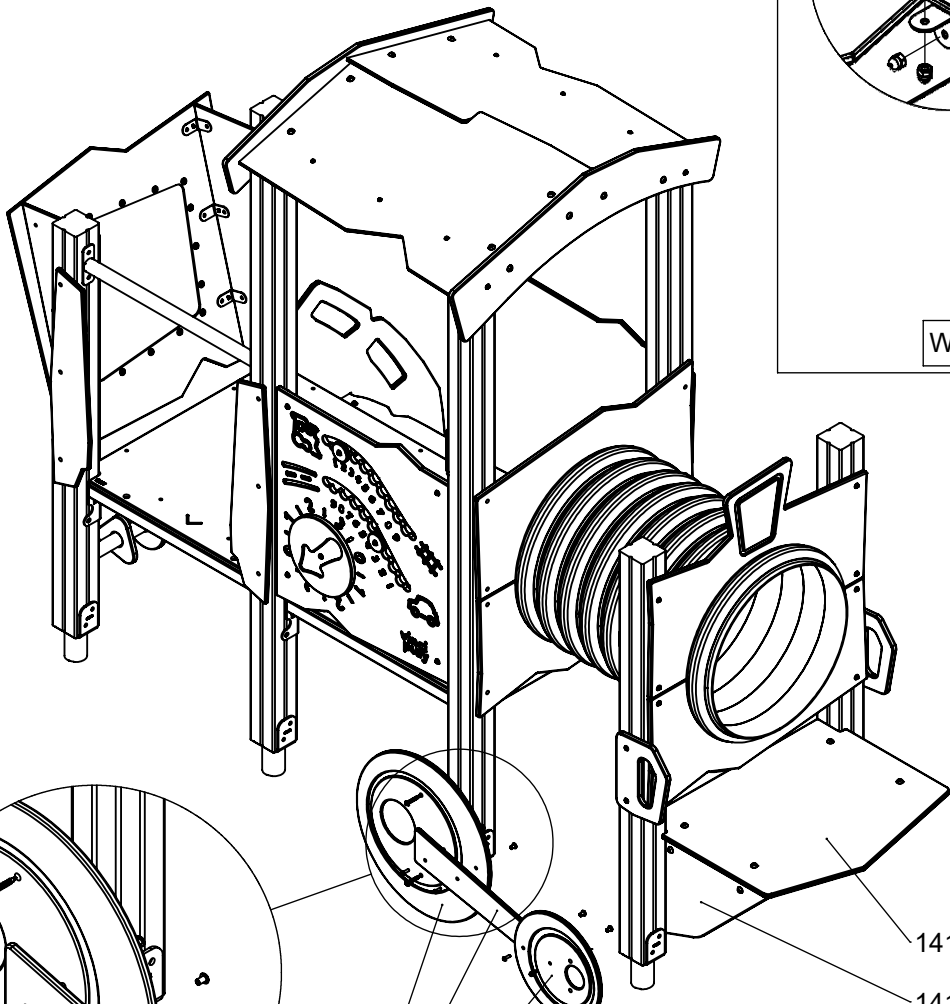
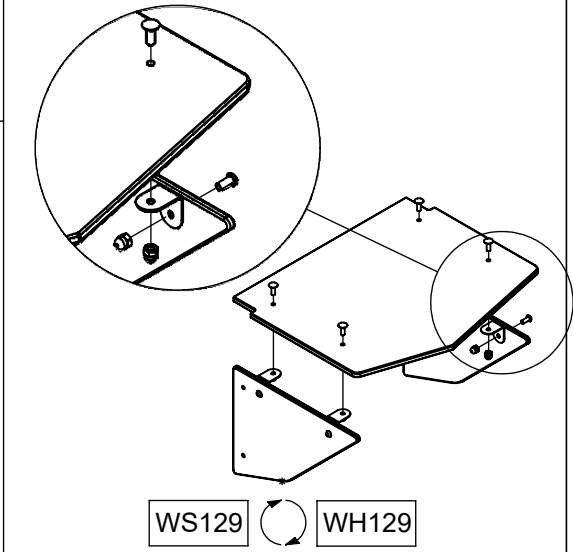
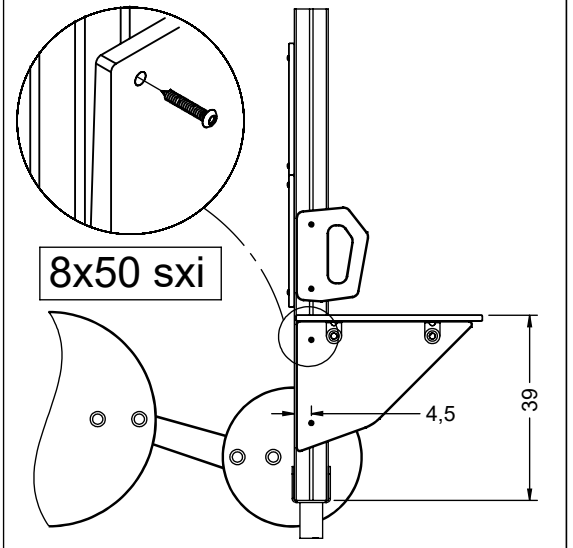
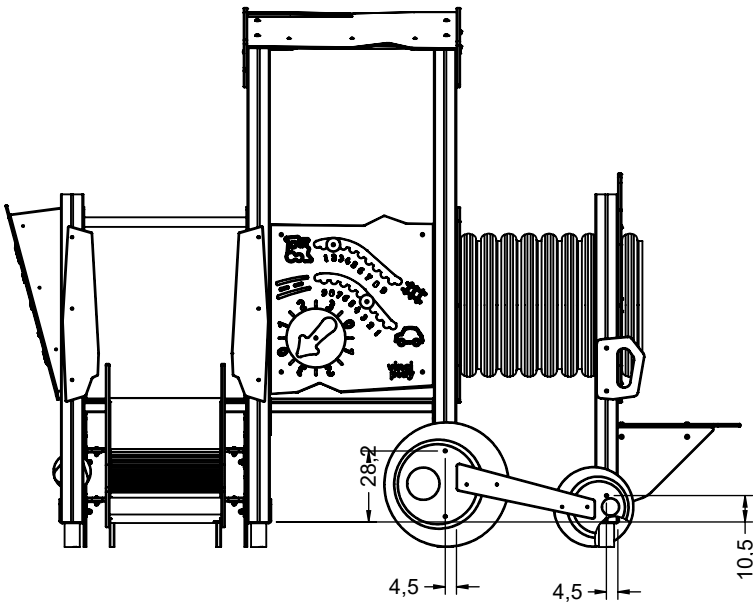


8x50 sxi



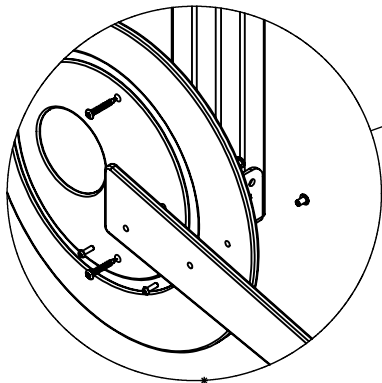
[cm]

vinci
play

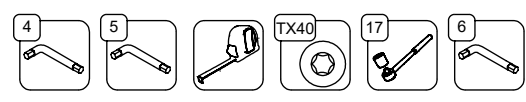


141308
141309

141310
141312
141311

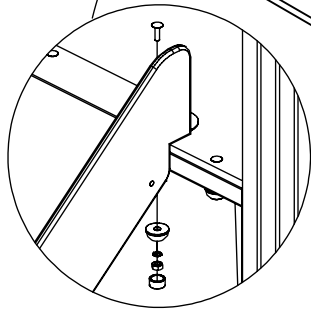
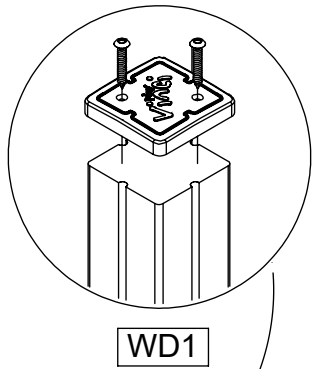
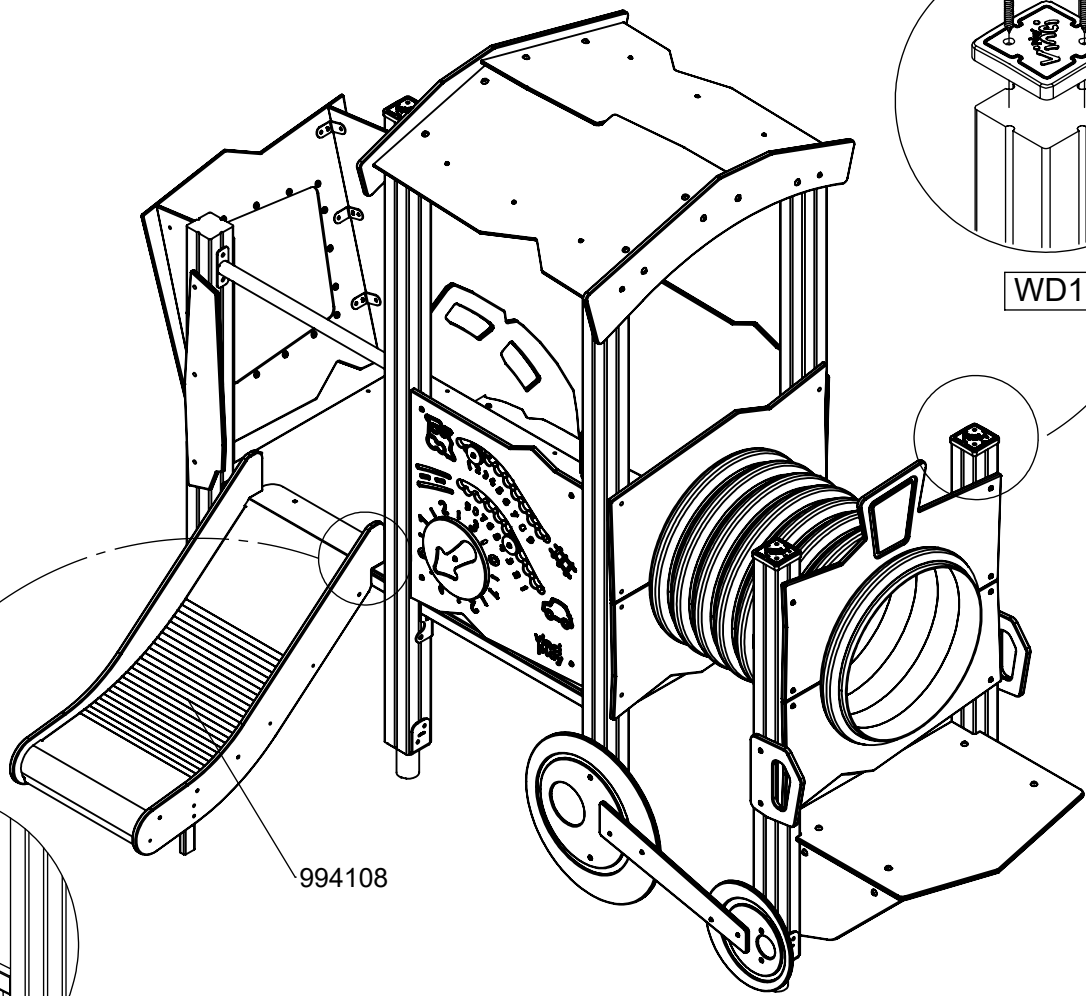


WE130 WL130
8x50 sxi

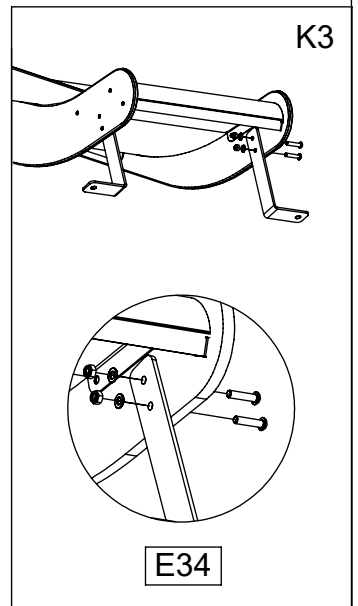
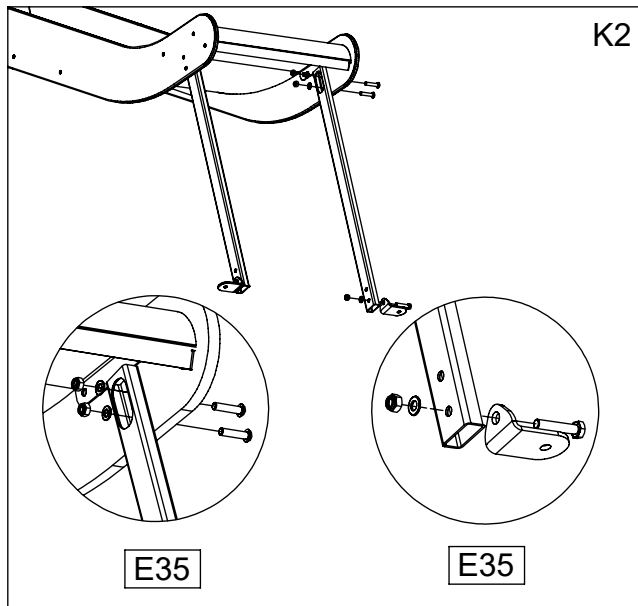
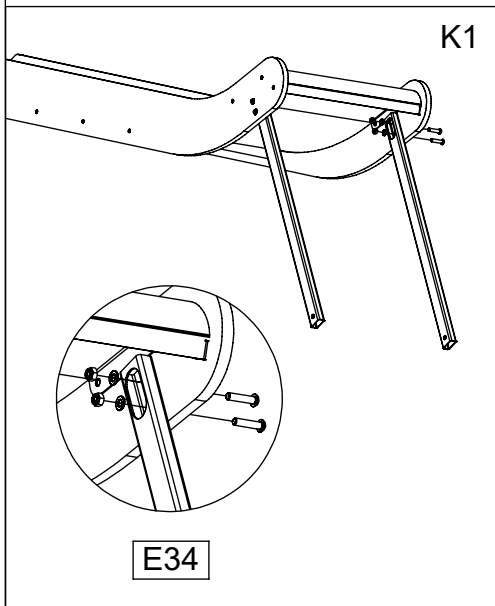


[cm]

vinci play



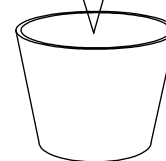
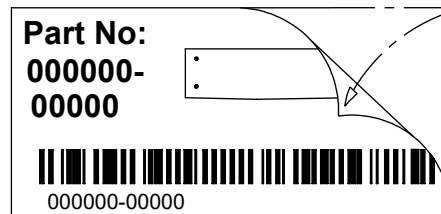
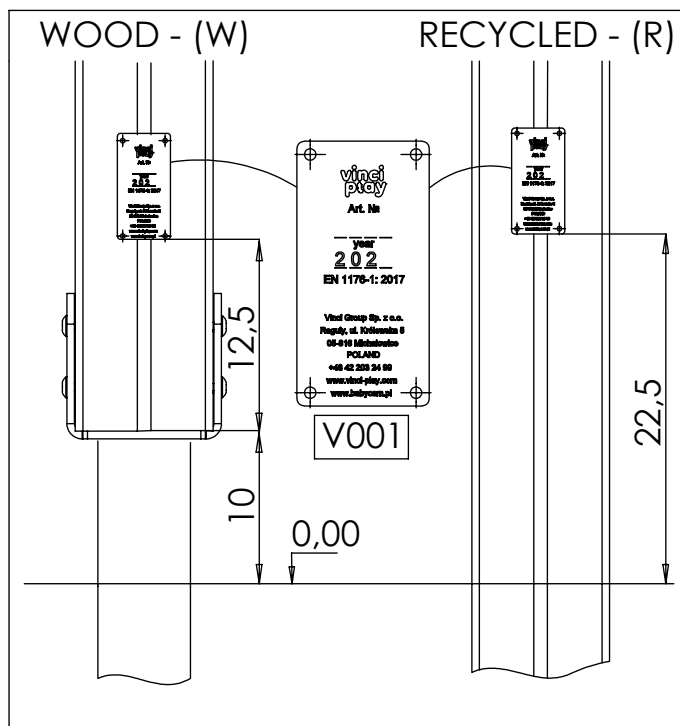
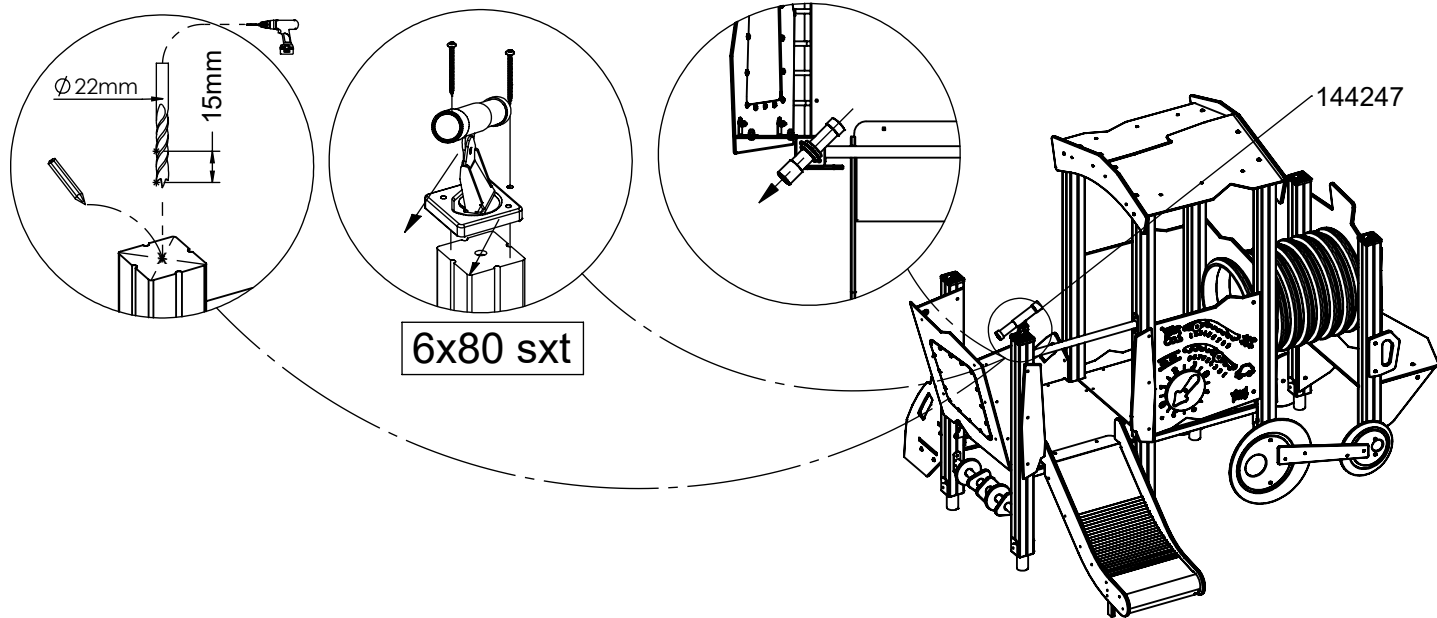
- | | | |
|---------|------|-------|
| PLYWOOD | | HPL |
| WD28 | (S1) | WD29 |
| PLYWOOD | | HPL |
| WD113 | (S6) | WD114 |



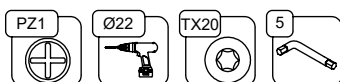
[cm]



vinci
play



[cm]



vinci
play