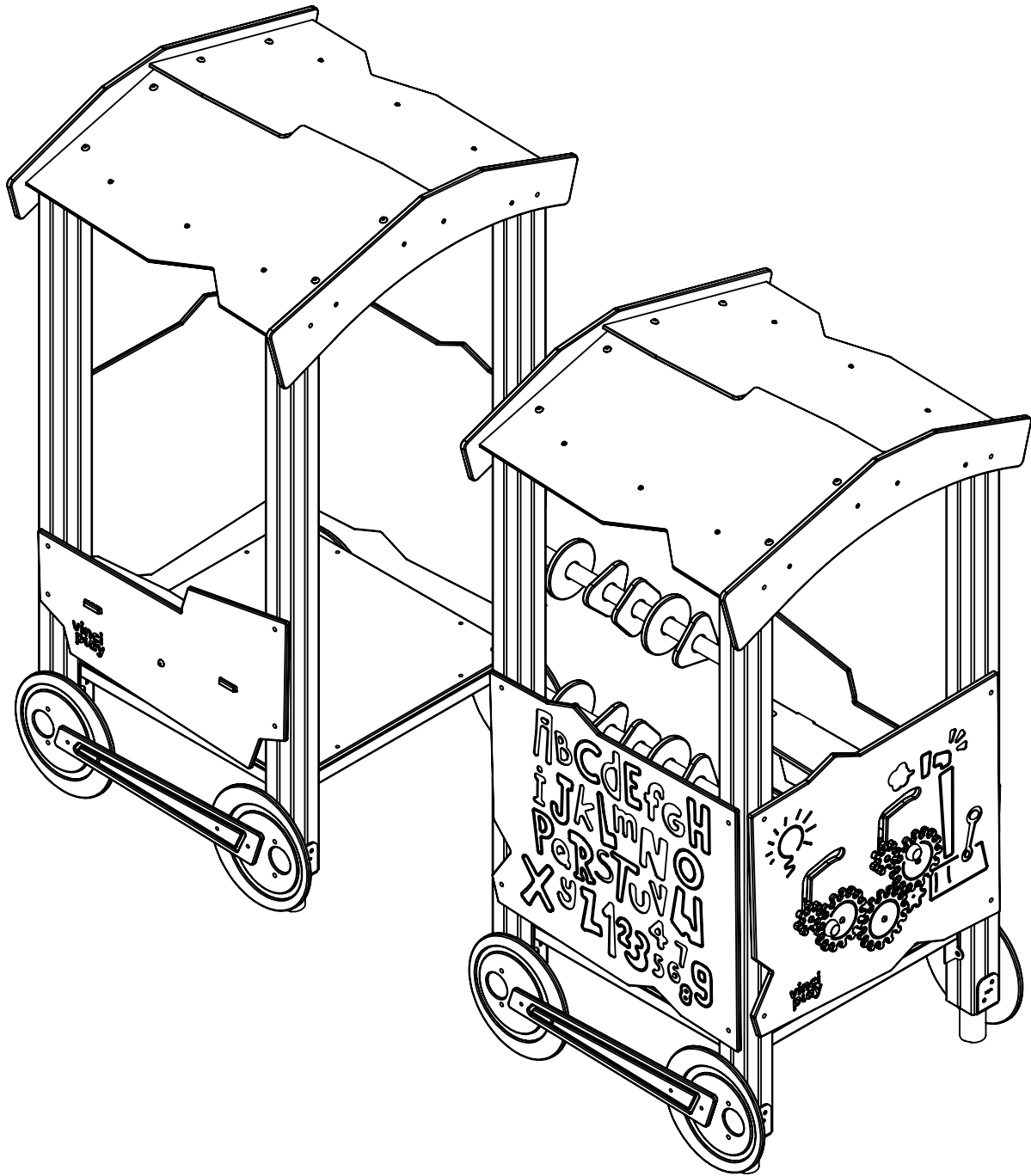
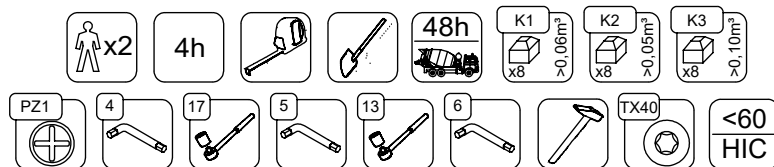


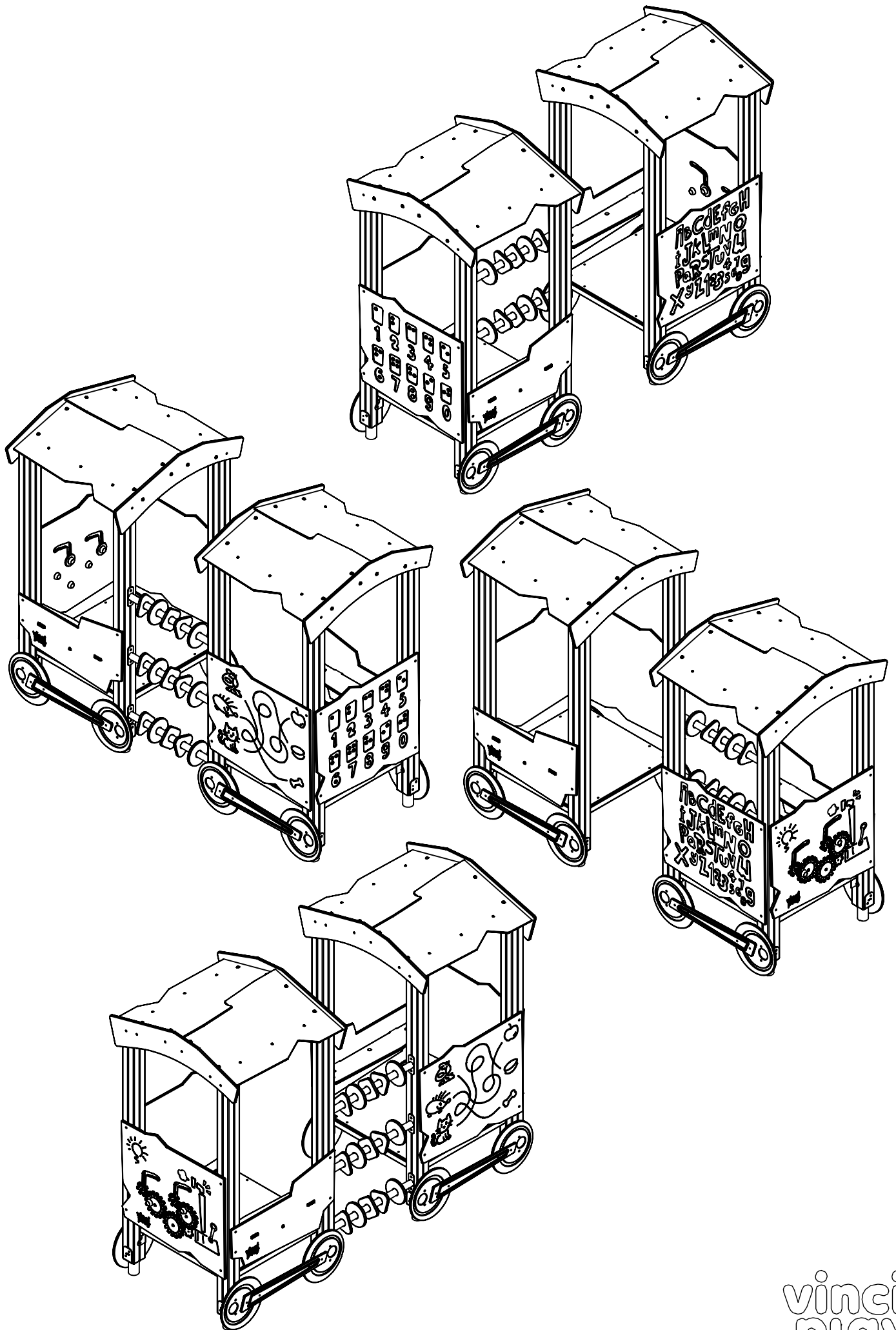
WD/RC 1552



v013
19.12.2023
M.L.
[cm]

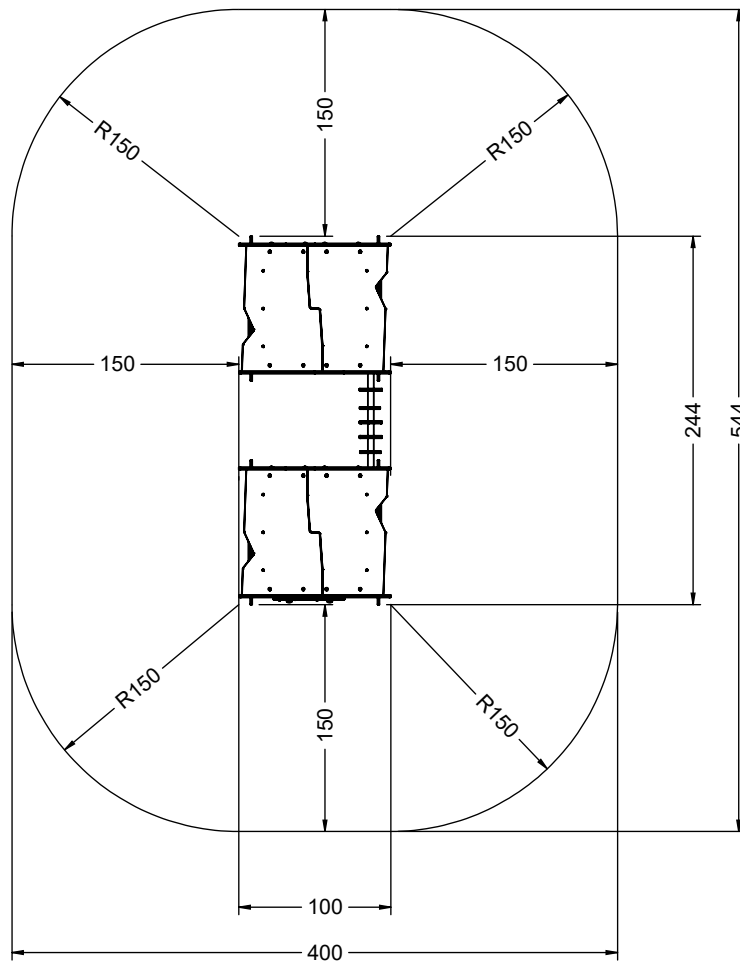
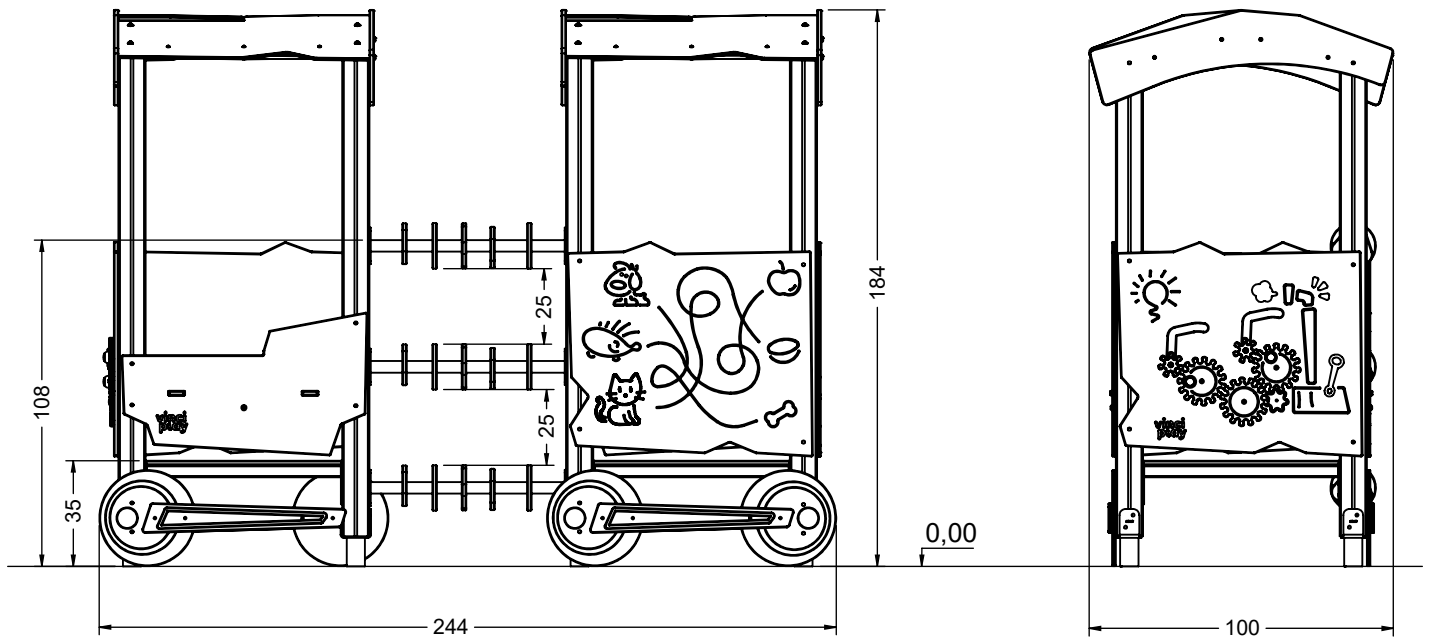


vinci
play



[cm]

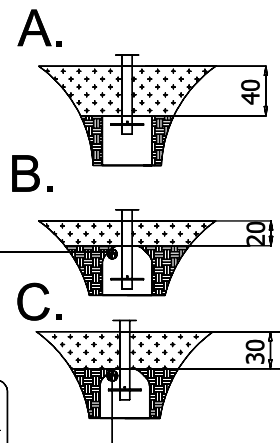
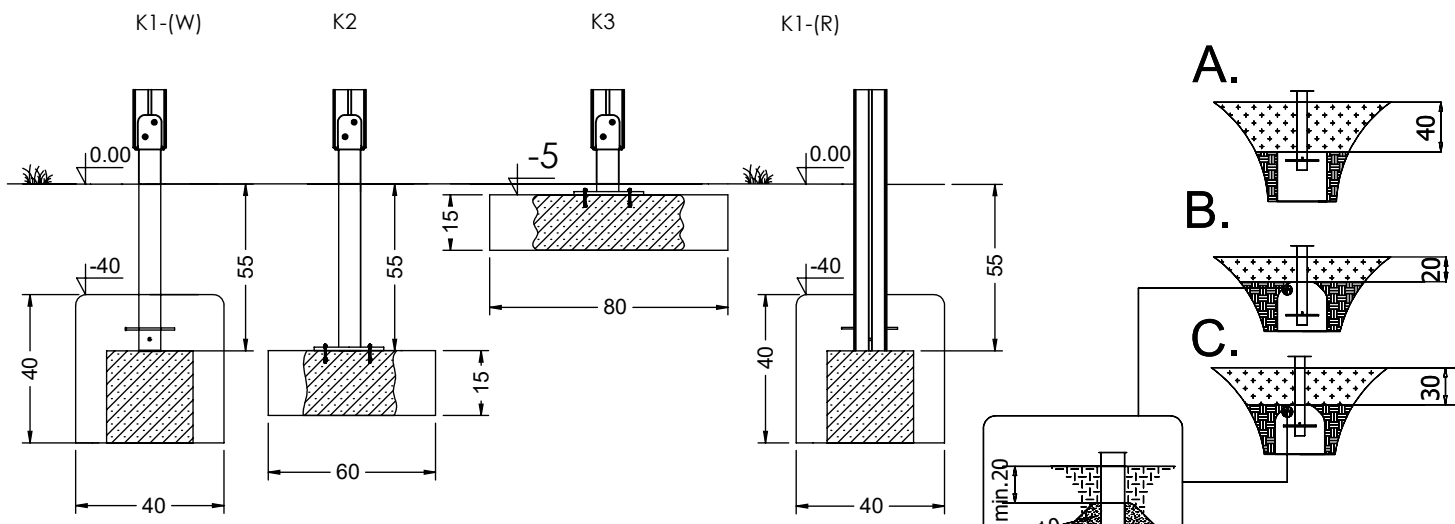
vinci
play



[cm]



vinci
play



K1

x8 **0,06 m³**

K2

x8 **0,05 m³**

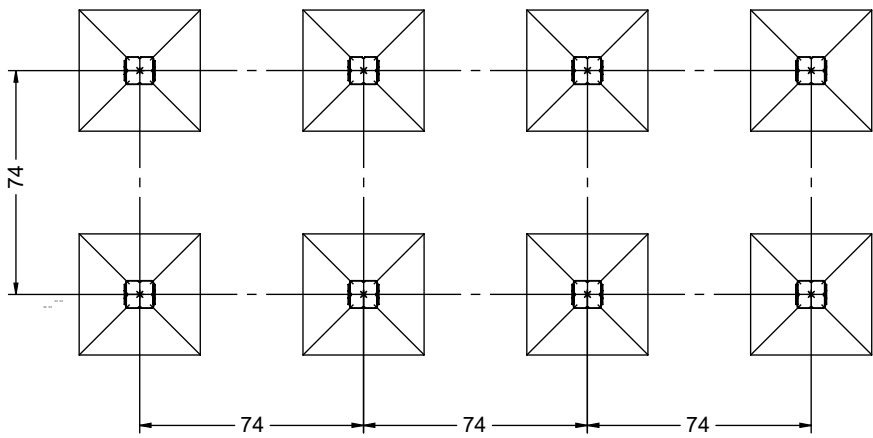
K3

x8 **0,10 m³**

K2, K3

M10x120 x32

NOT INCLUDED



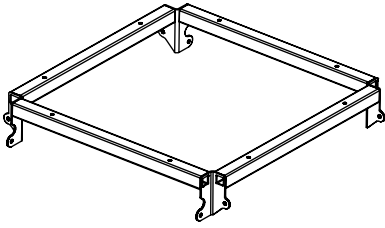
[cm]

vinci play

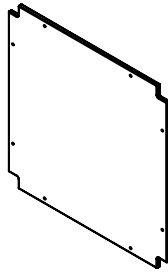
WOOD - (W)



14715990
x8



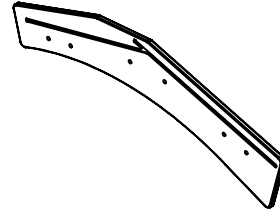
142109
x2



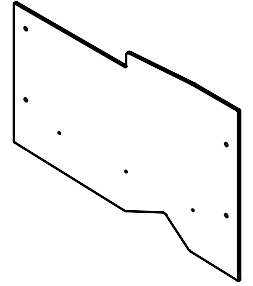
141100
x2



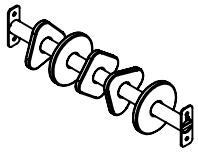
141311
x8



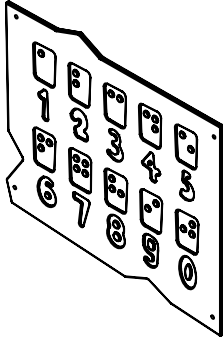
141313
x4



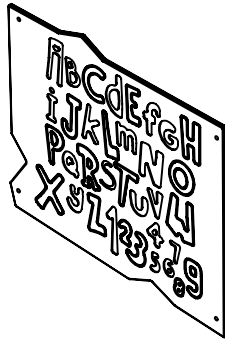
141314
x4



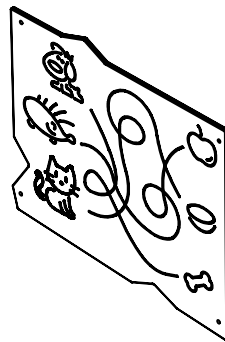
144126
x3



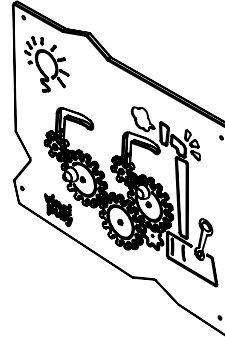
141300
x1



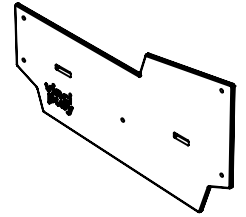
141250
x1



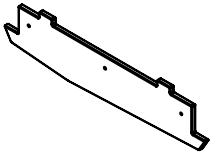
141243
x1



141232
x1



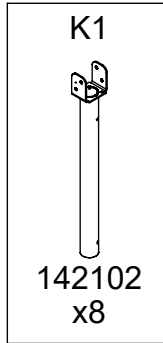
141184
x2



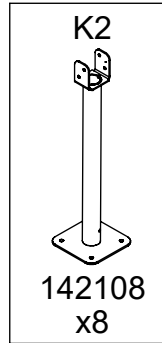
141185
x2



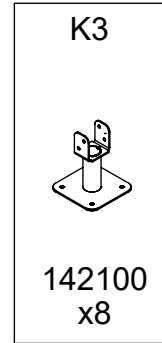
141315
x4



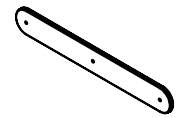
142102
x8



142108
x8



142100
x8



141319
x4

		<i>Plywood/ HDPE</i>		<i>HPL</i>	
112x	8x50 sxi	2x	WD76	2x	WD77
1x	V001	2x	WE127	2x	WL127
		2x	WD40	2x	WD41
		2x	WD112	2x	WD137
		1x	WD19	1x	WD20
		4x	WE130	4x	WL130

RECYCLED -(R)

K2,K3

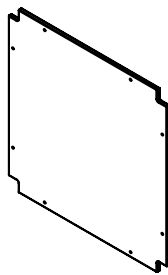


14915990
x8

K1



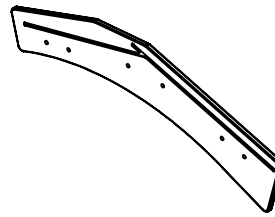
14922490
x8



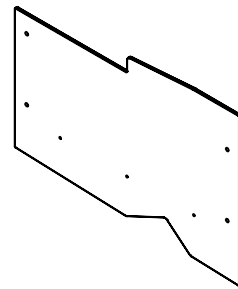
141100
x2



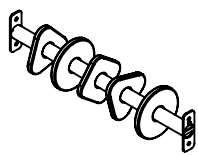
141311
x8



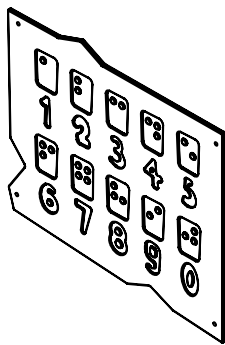
141313
x4



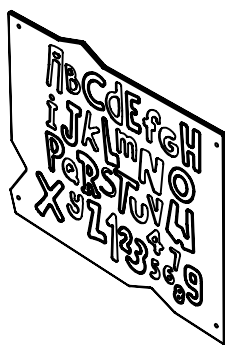
141314
x4



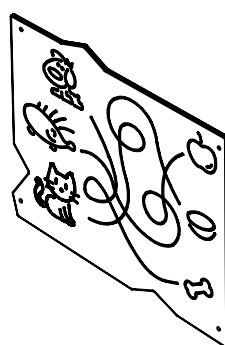
144126
x3



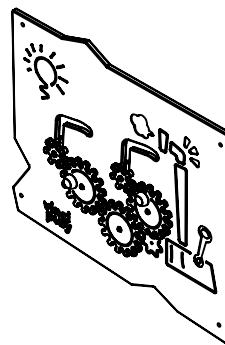
141300
x1



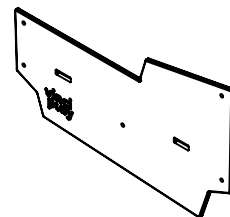
141250
x1



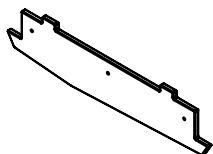
141243
x1



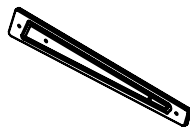
141232
x1



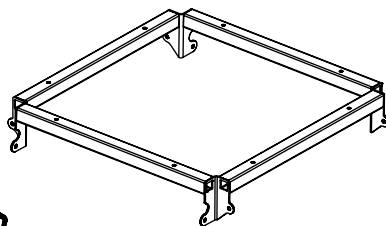
141184
x2



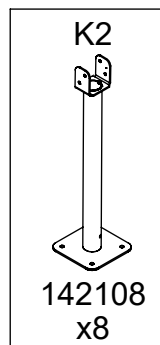
141185
x2



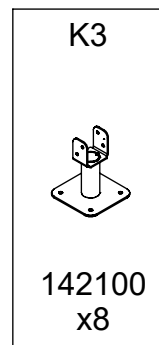
141315
x4



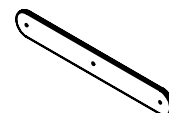
142109
x2



142108
x8



142100
x8

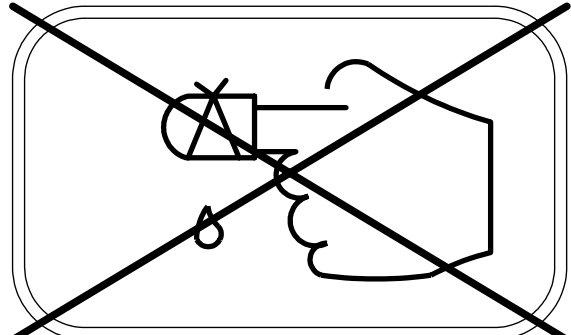
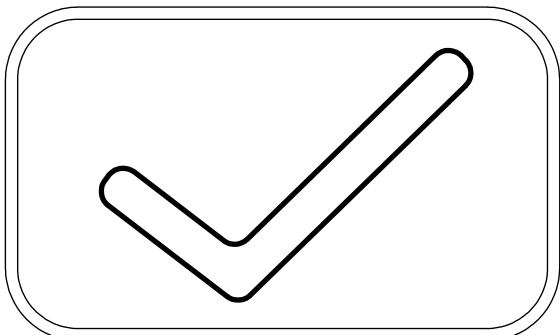
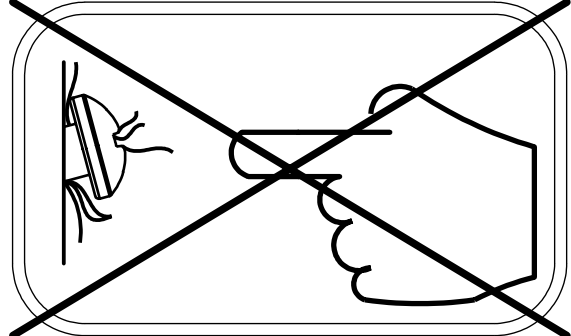
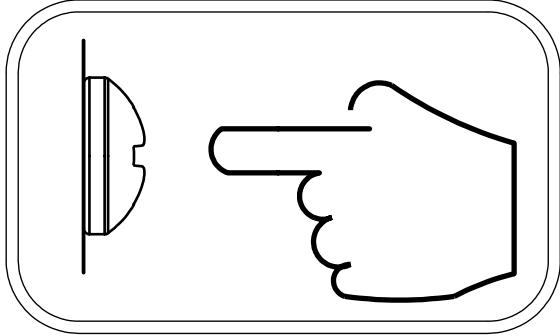
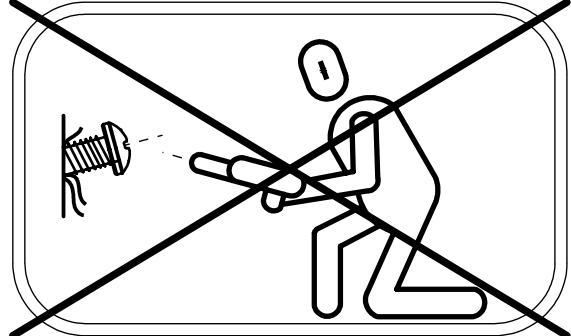
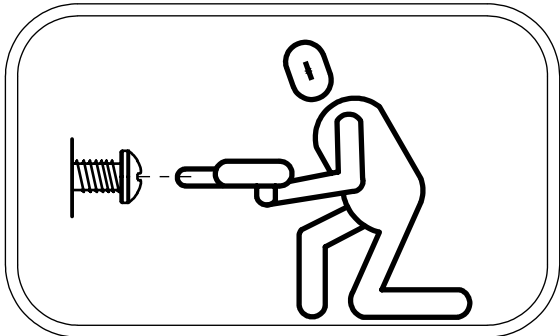


141319
x4

		<i>Plywood/ HDPE</i>		<i>HPL</i>	
32x	8x50 sxi (K2,K3)	2x	WD76	2x	WD77
80x	8x50 sxi	2x	WE127	2x	WL127
1x	V001	2x	WD40	2x	WD41
		2x	WD112	2x	WD137
		1x	WD19Q	1x	WD20
		4x	WE130	4x	WL130

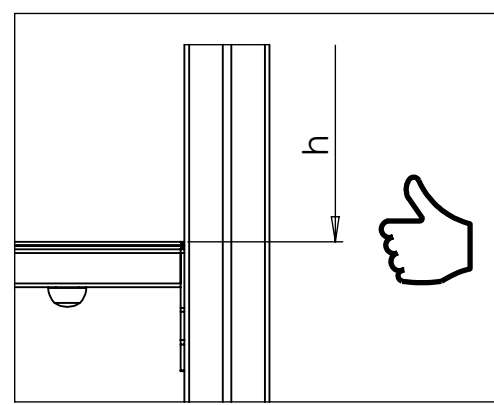
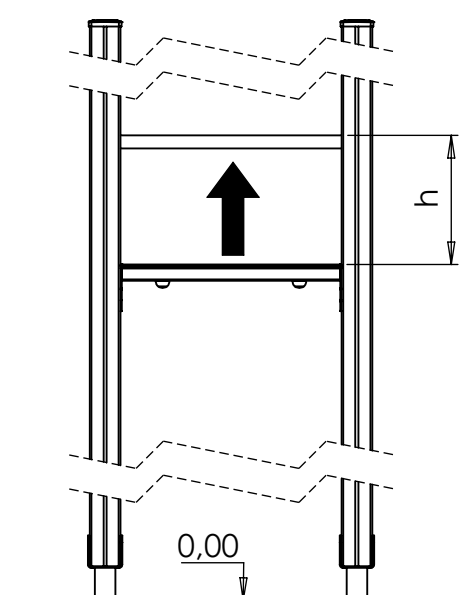
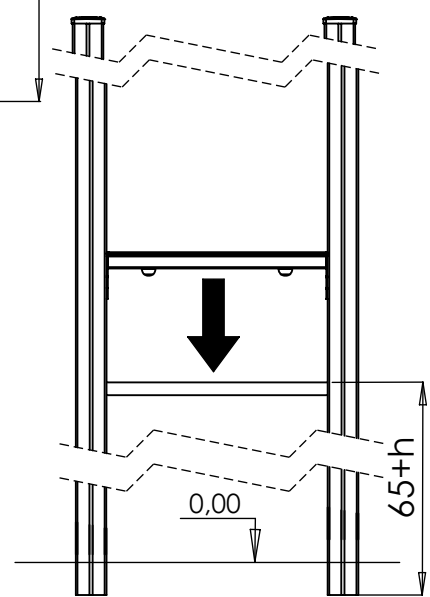
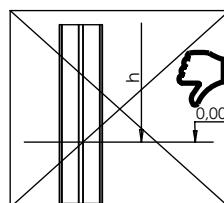
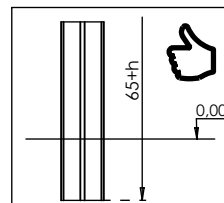
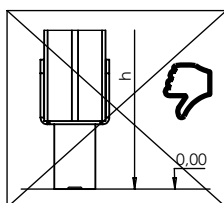
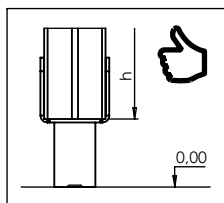
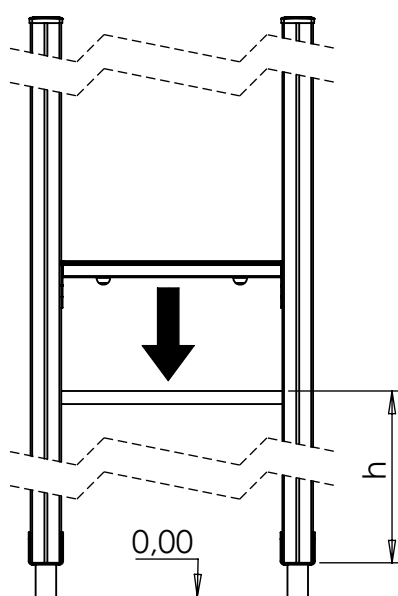
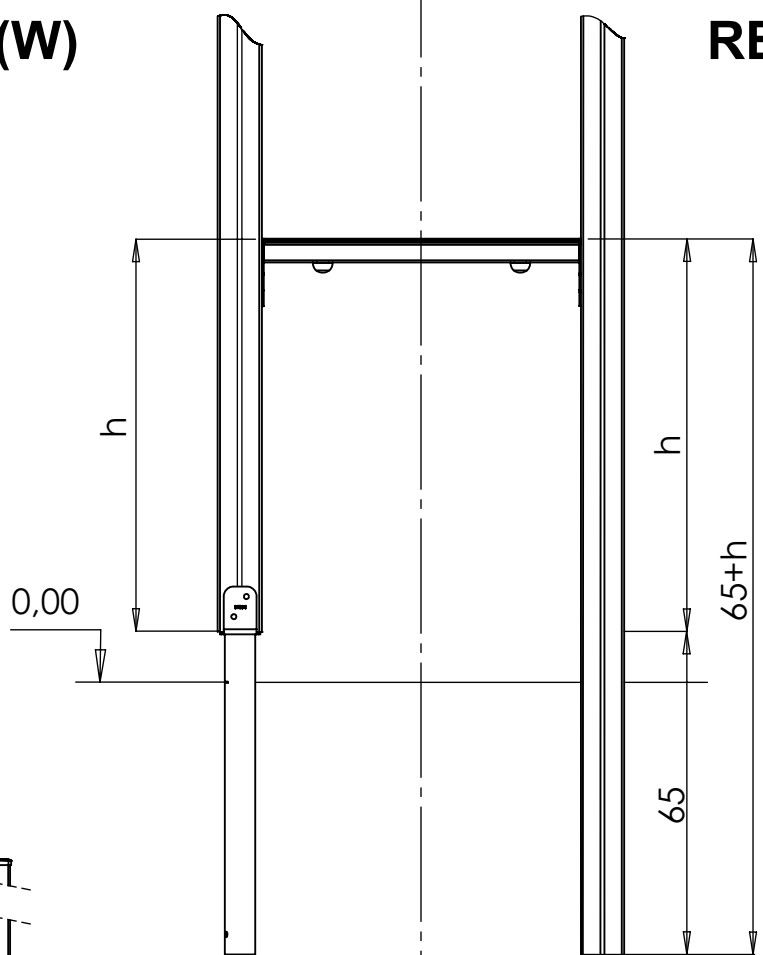
[cm]

vinci
play



WOOD - (W)

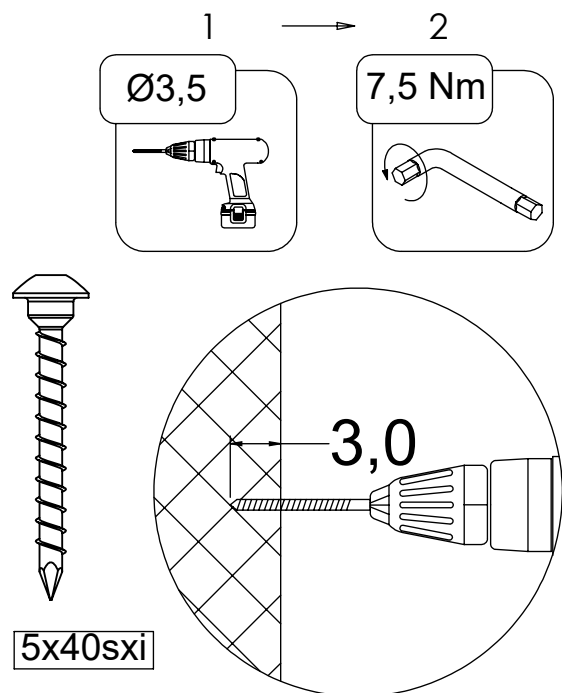
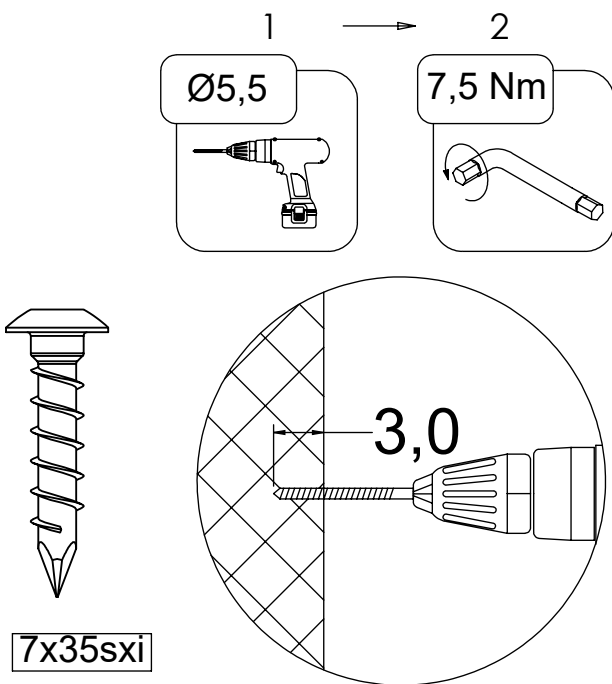
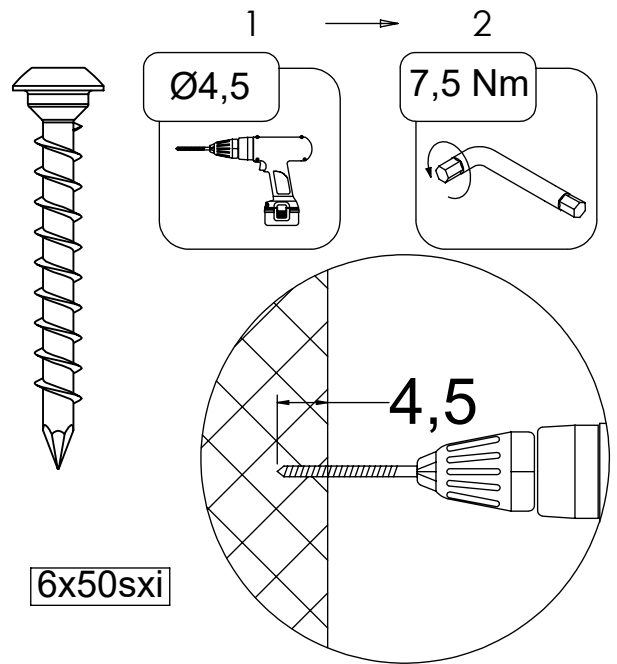
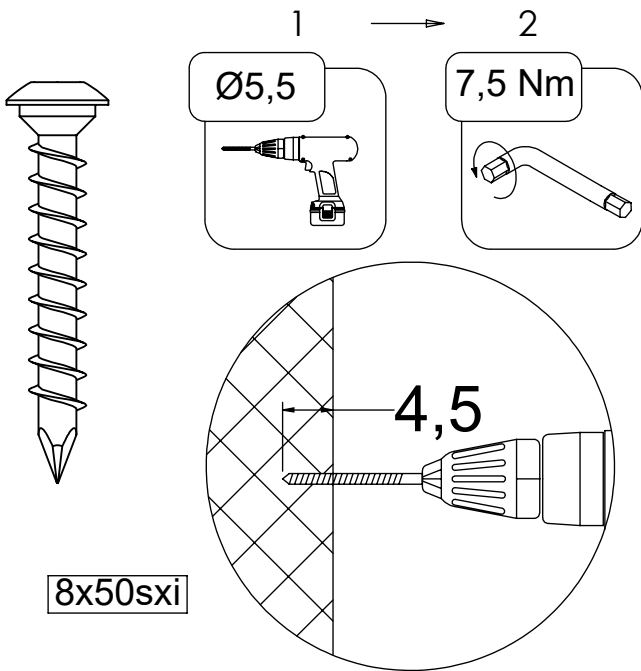
RECYCLED - (R)



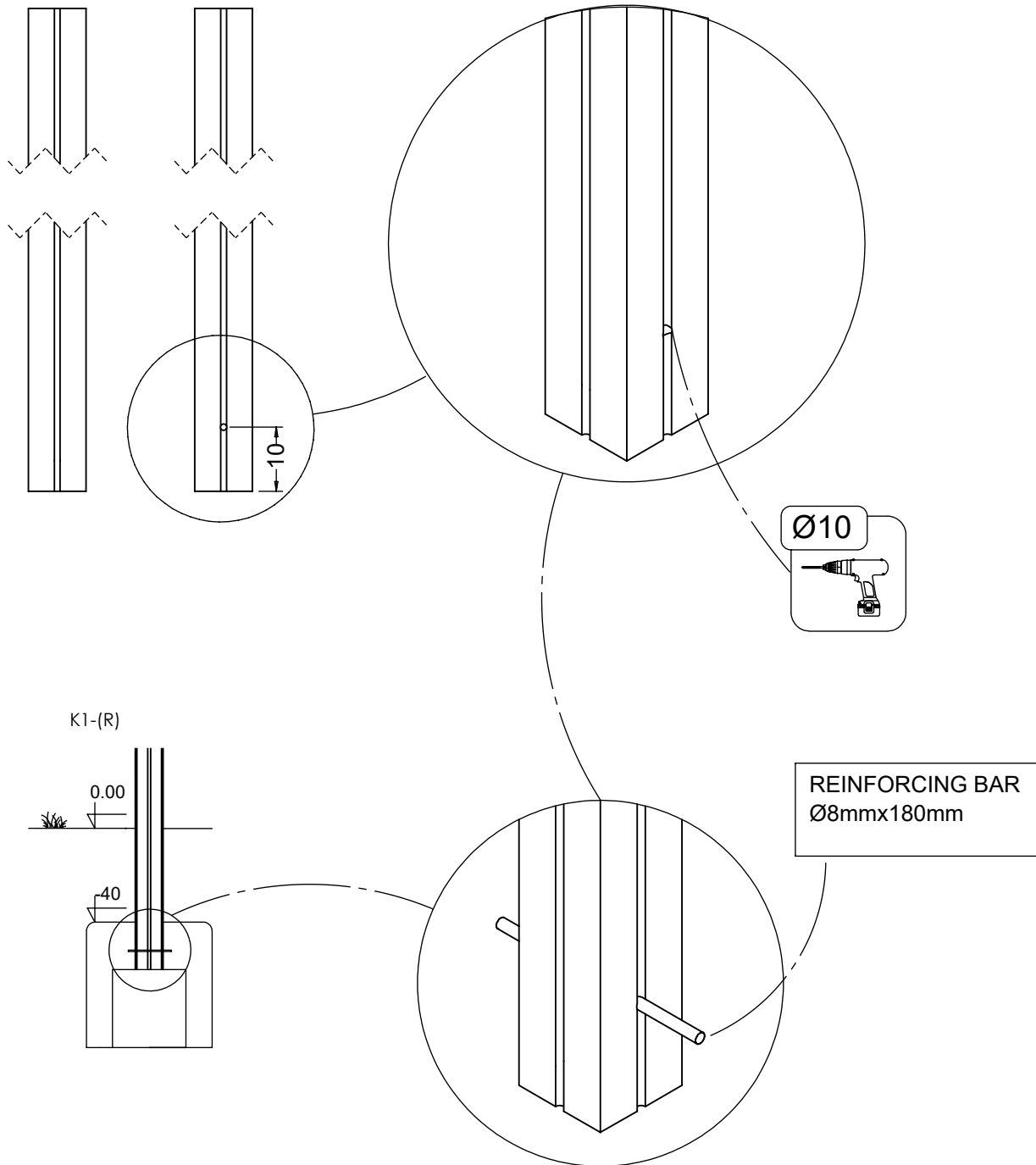
[cm]

vinci play

RECYCLED!

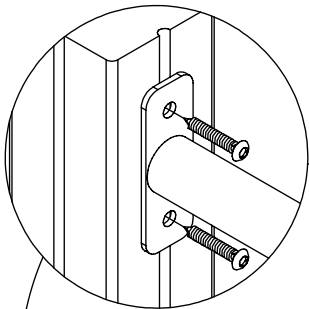


RECYCLED!

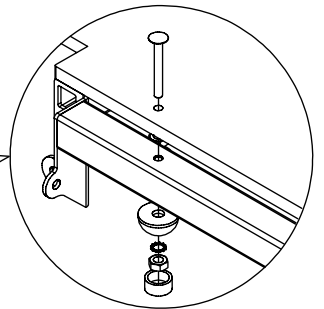


[cm]

vinci
play

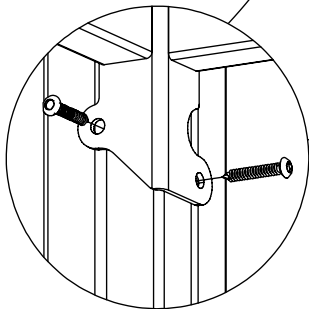
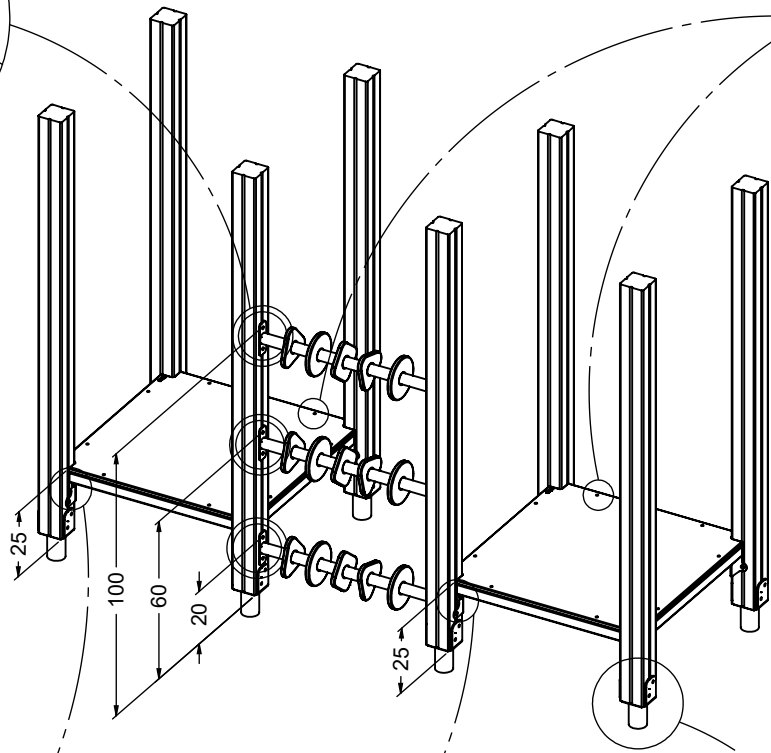
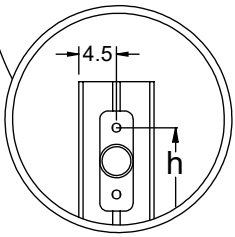


8x50 sxi



PLYWOOD
WD76

HPL
WD77



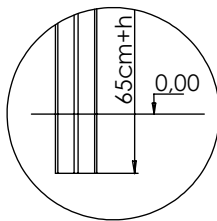
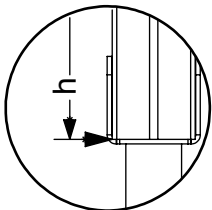
8x50 sxi

K1,K2,K3 - (W)
K2,K3 - (R)

8x50 sxi

(W) - K1, K2,K3
(R) - K2, K3

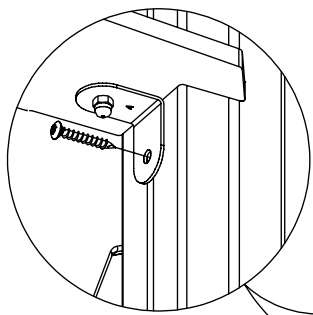
(R)-K1



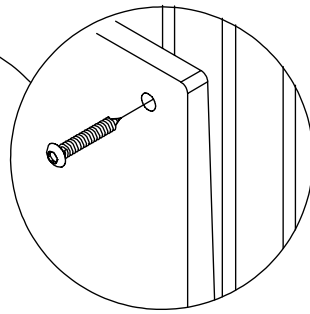
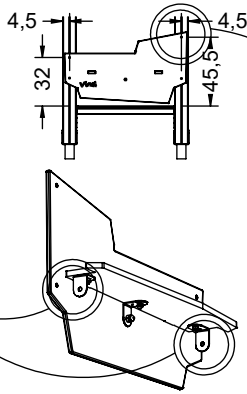
[cm]



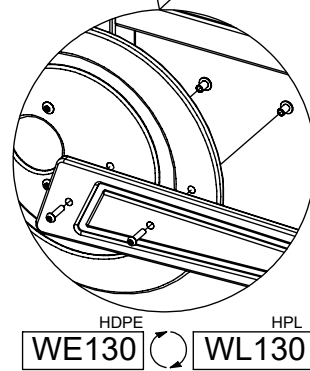
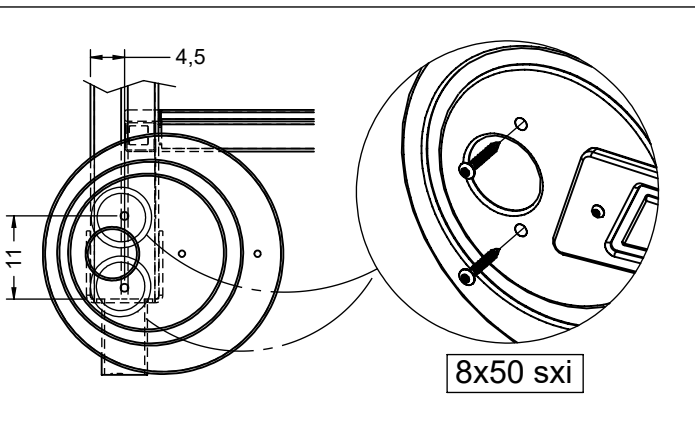
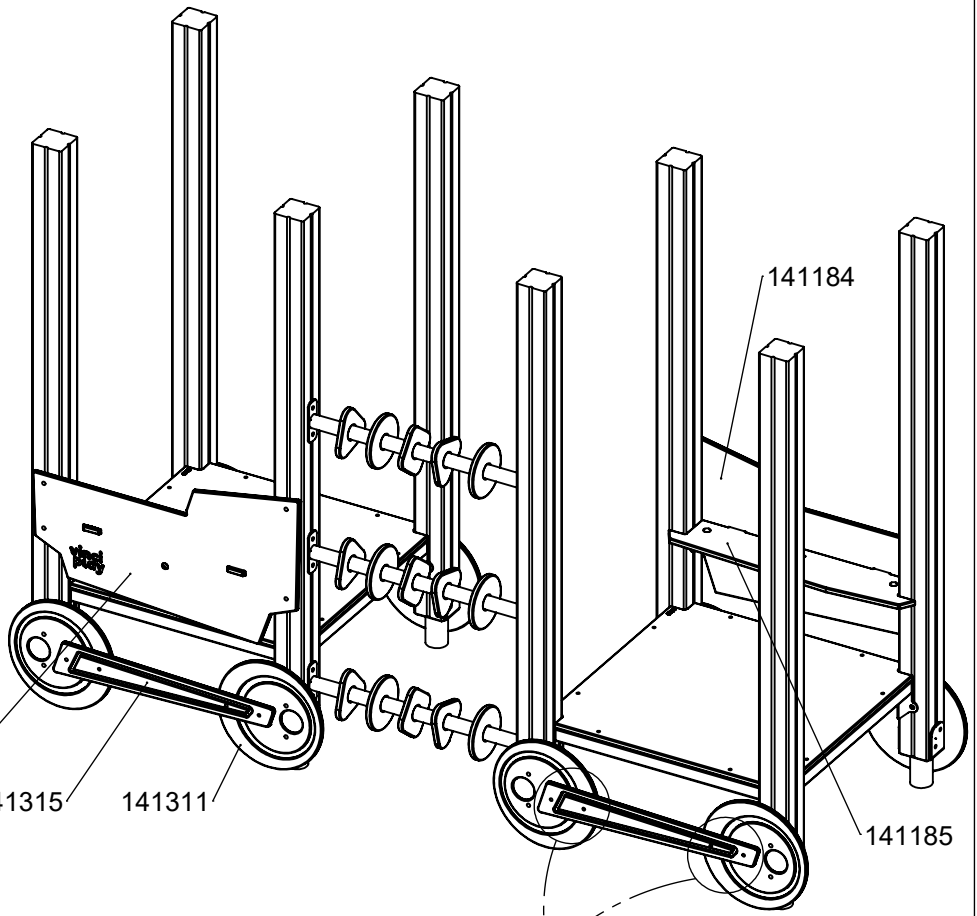
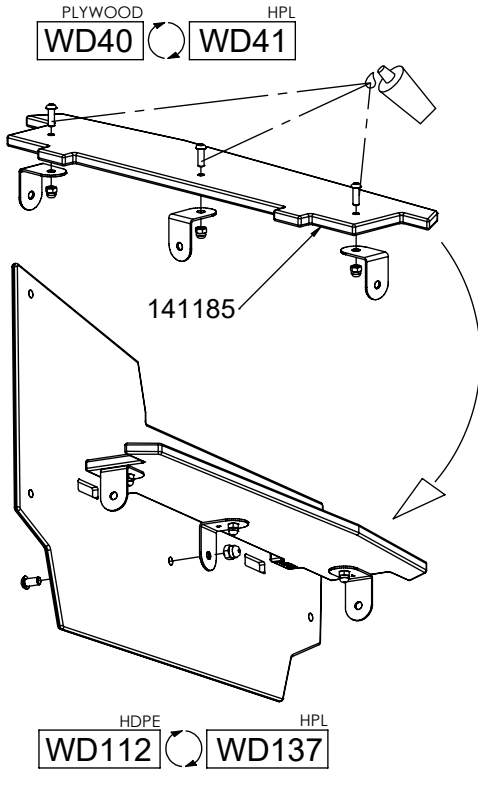
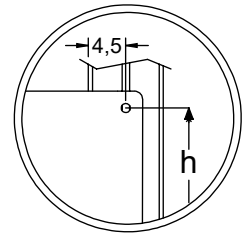
vinci
play



8x50 sxi



8x50 sxi

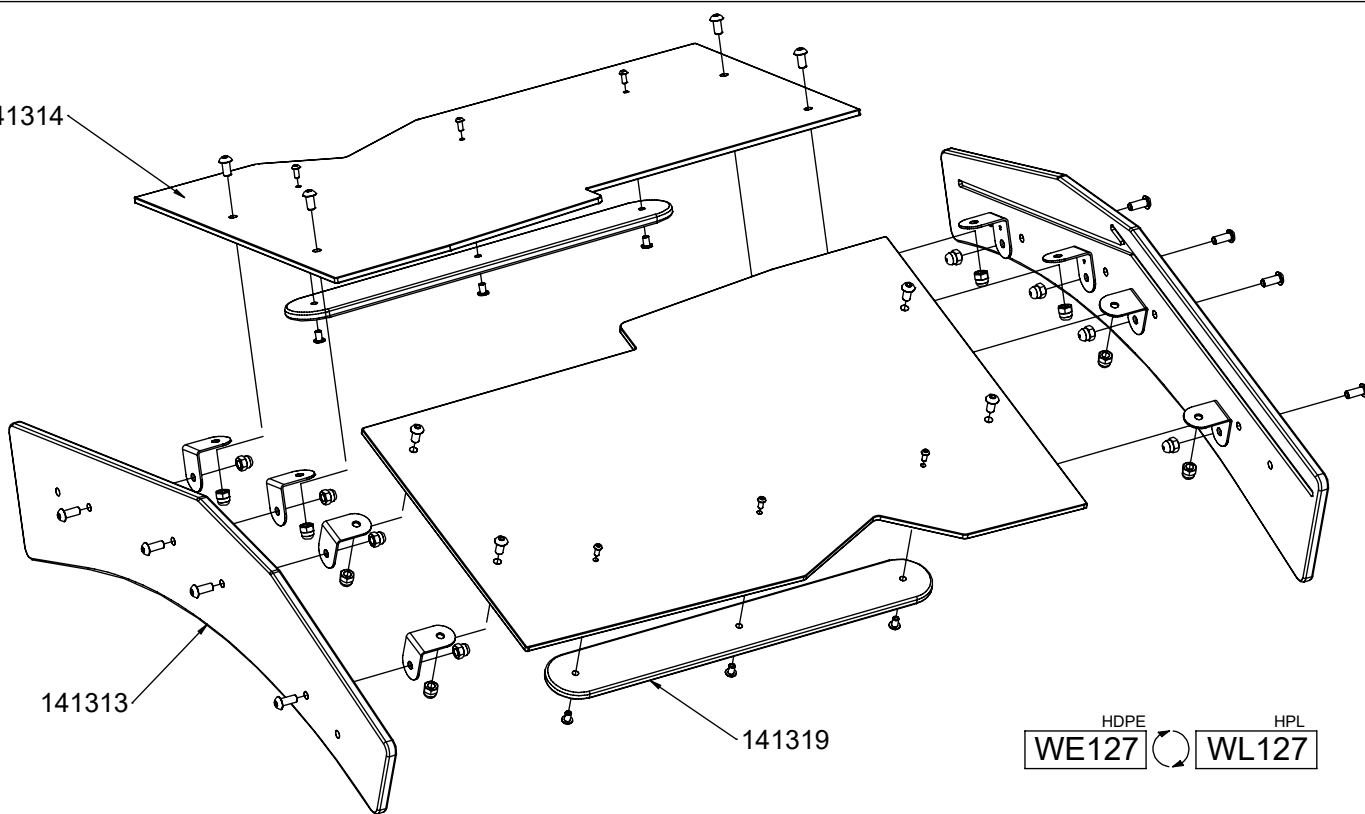


[cm]



vinci play

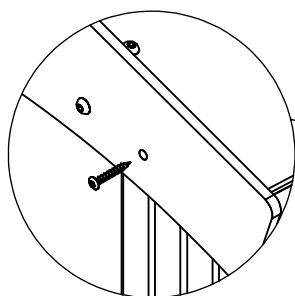
141314



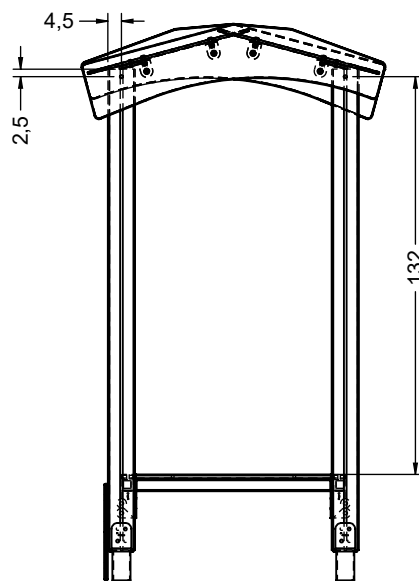
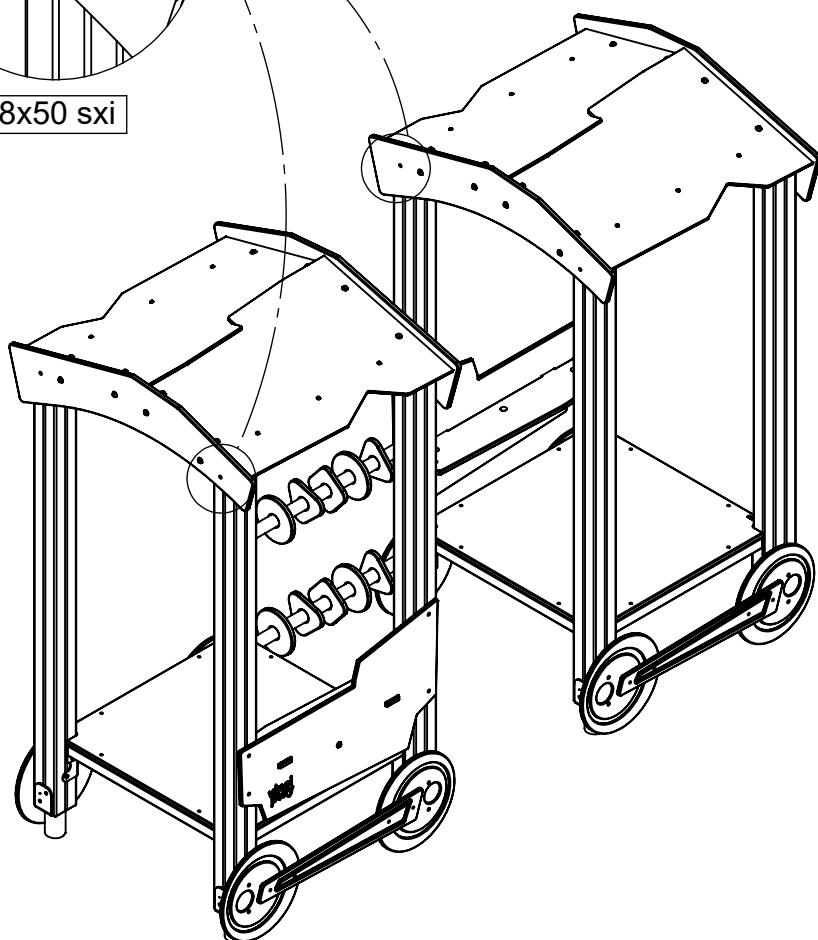
141313

141319

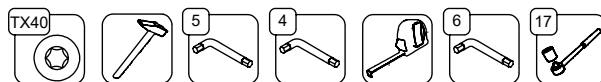
HDPE WE127 HPL WL127



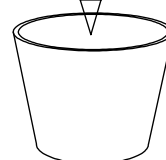
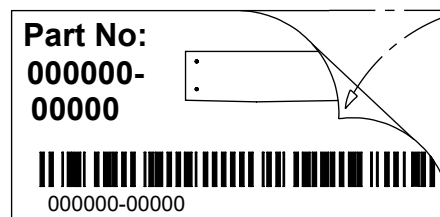
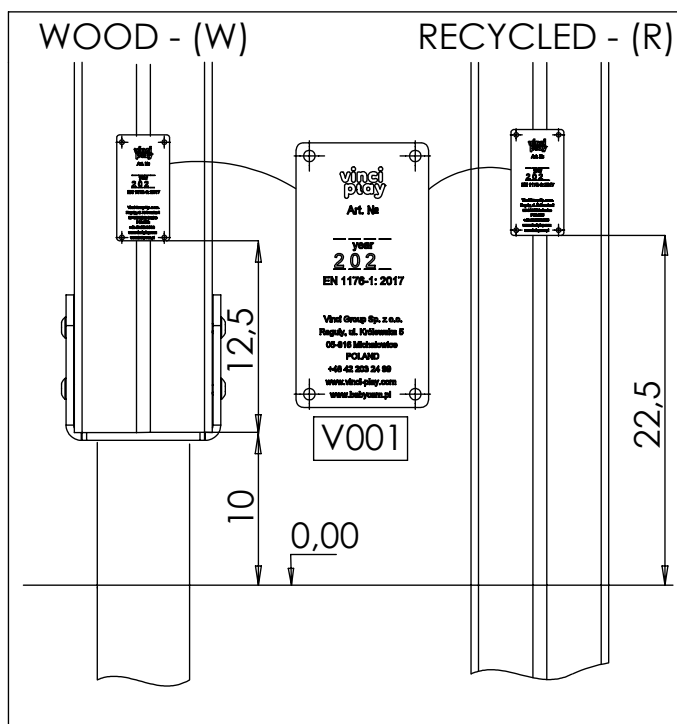
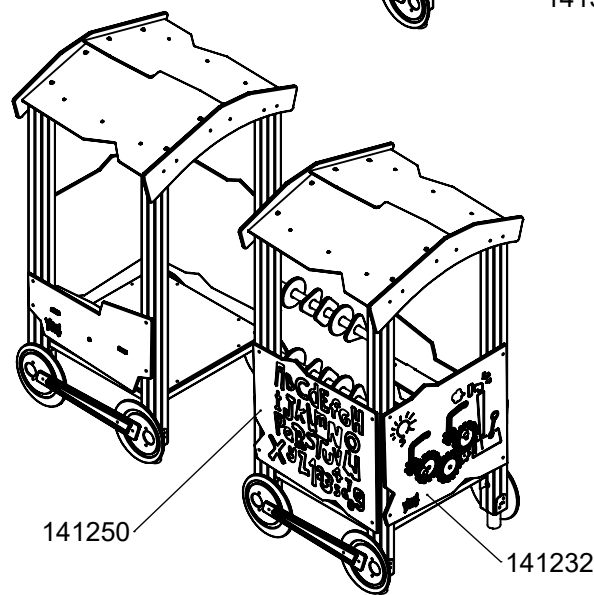
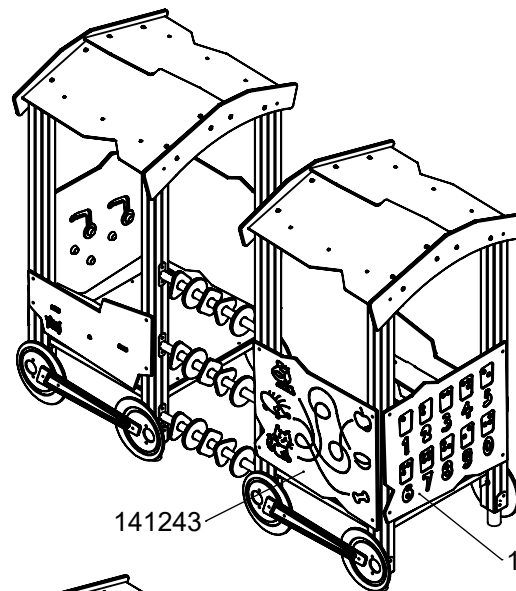
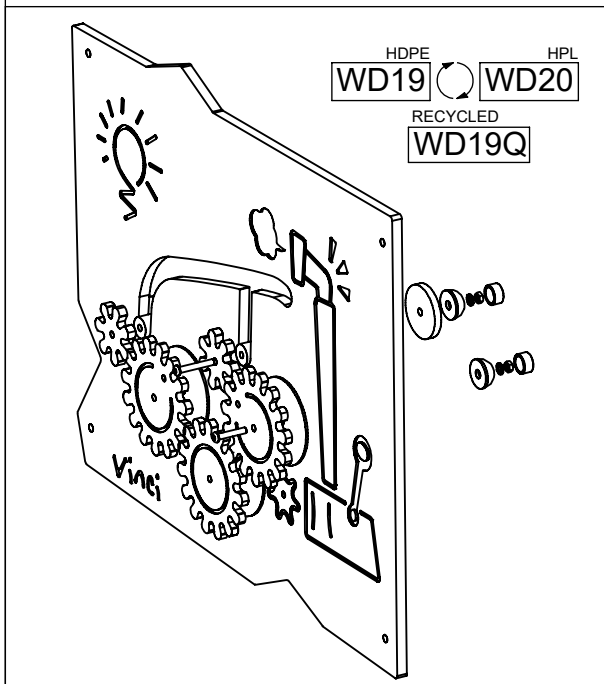
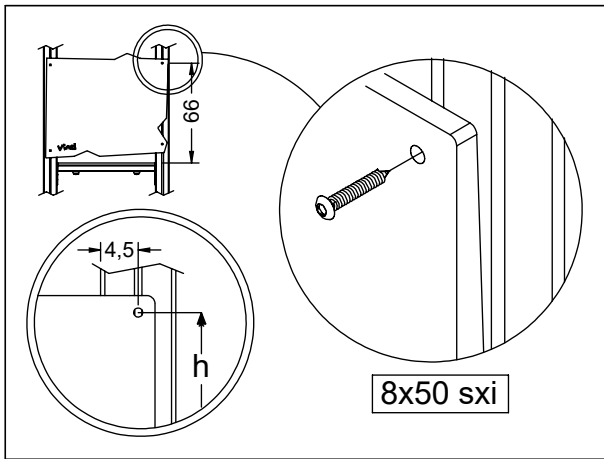
8x50 sxi



[cm]



vinci
play



[cm]



vinci
play