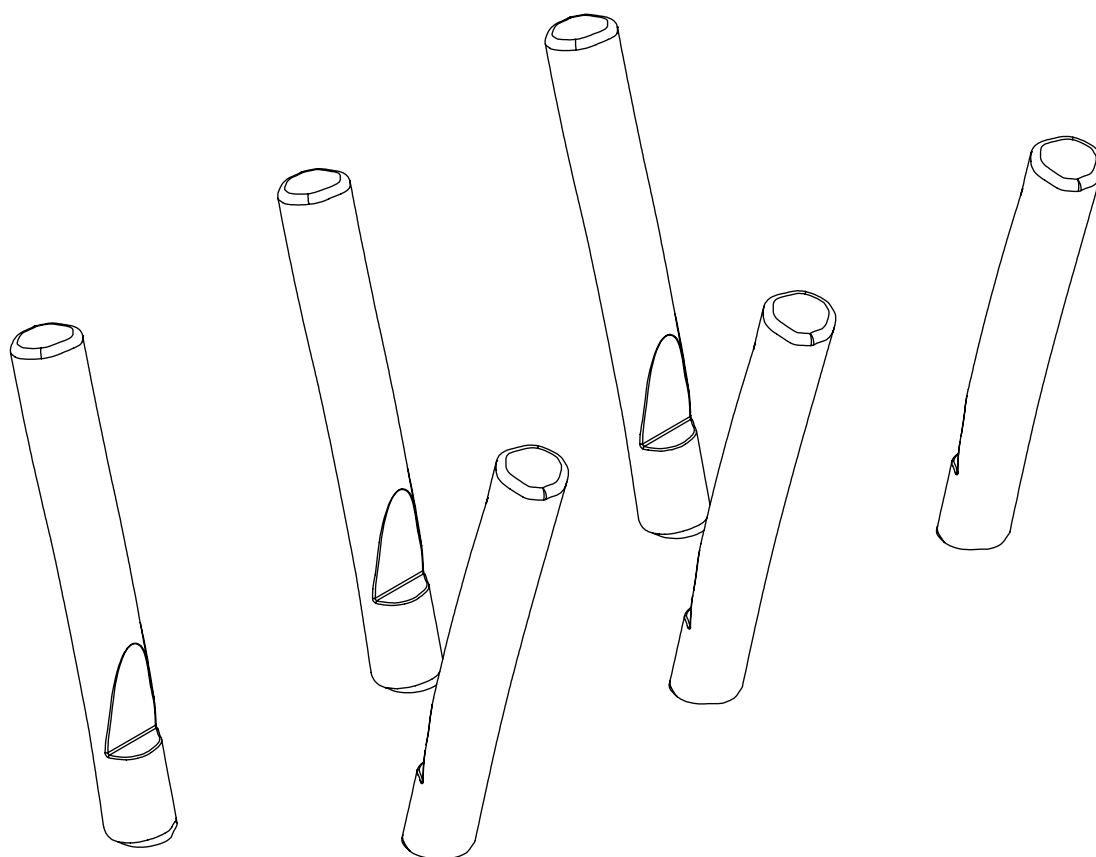


# RB1260



v010  
06.10.2020  
A. P.  
[cm]



3h

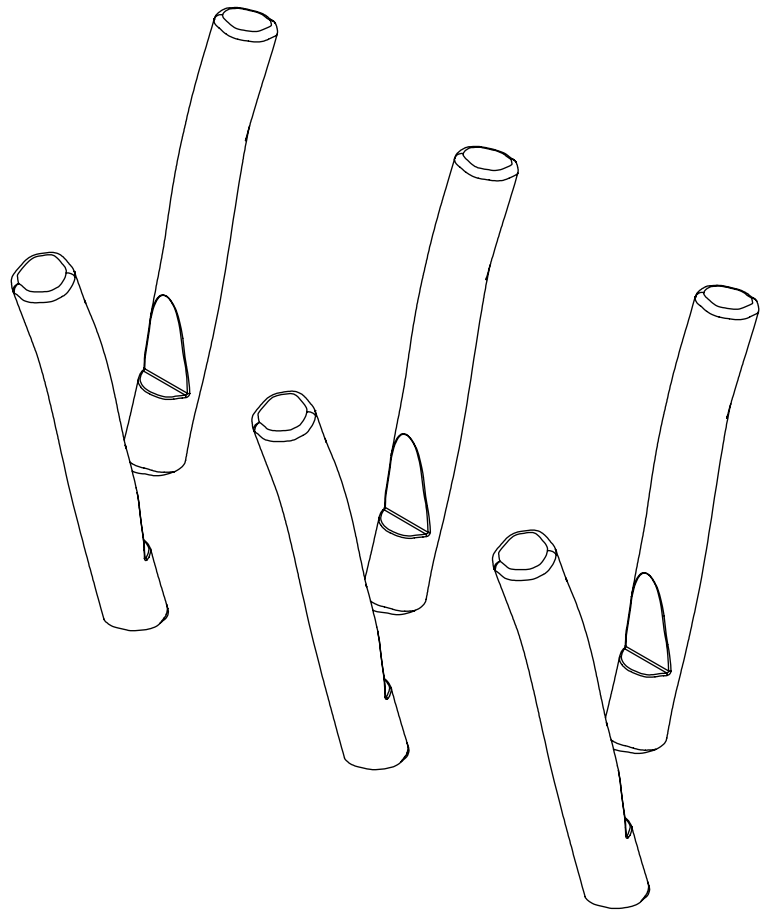
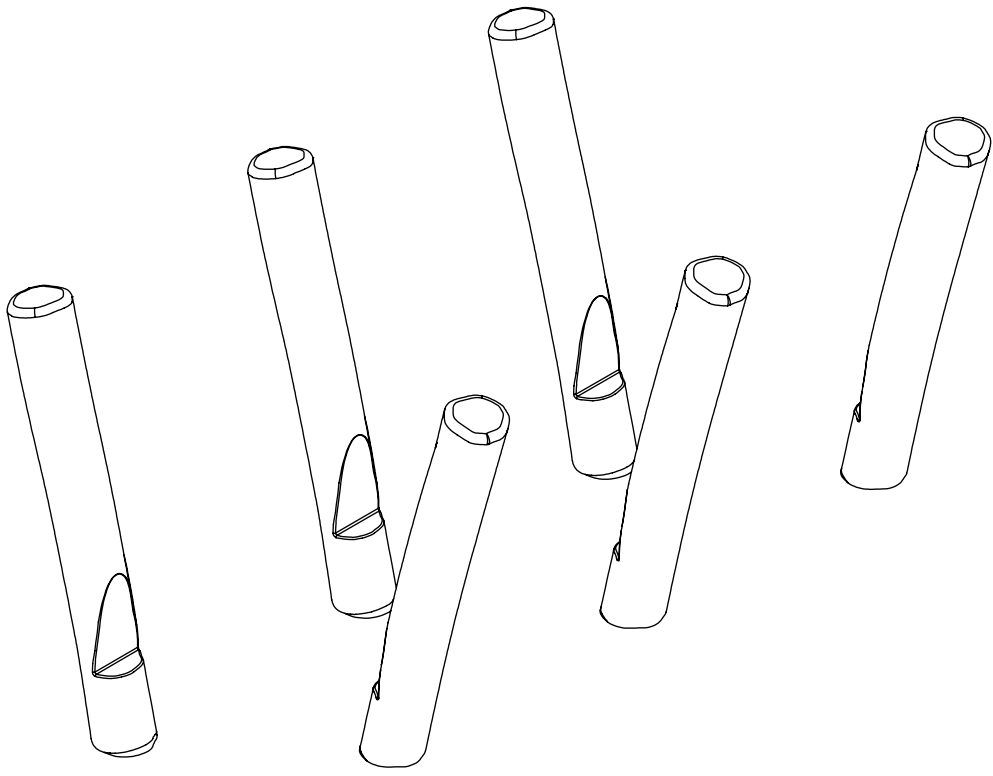


<60  
HIC

K29  
x6 >0.06m<sup>3</sup>

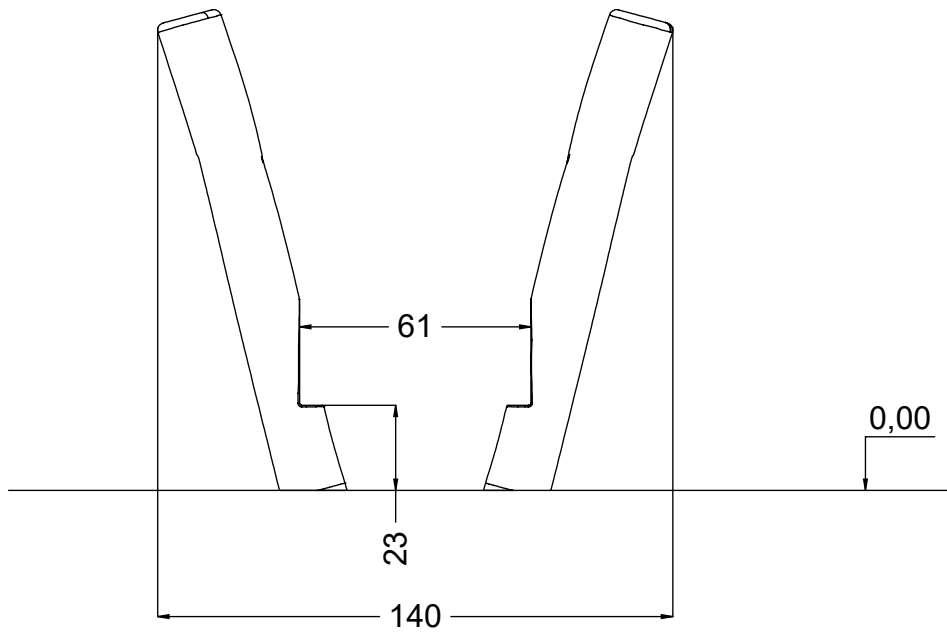
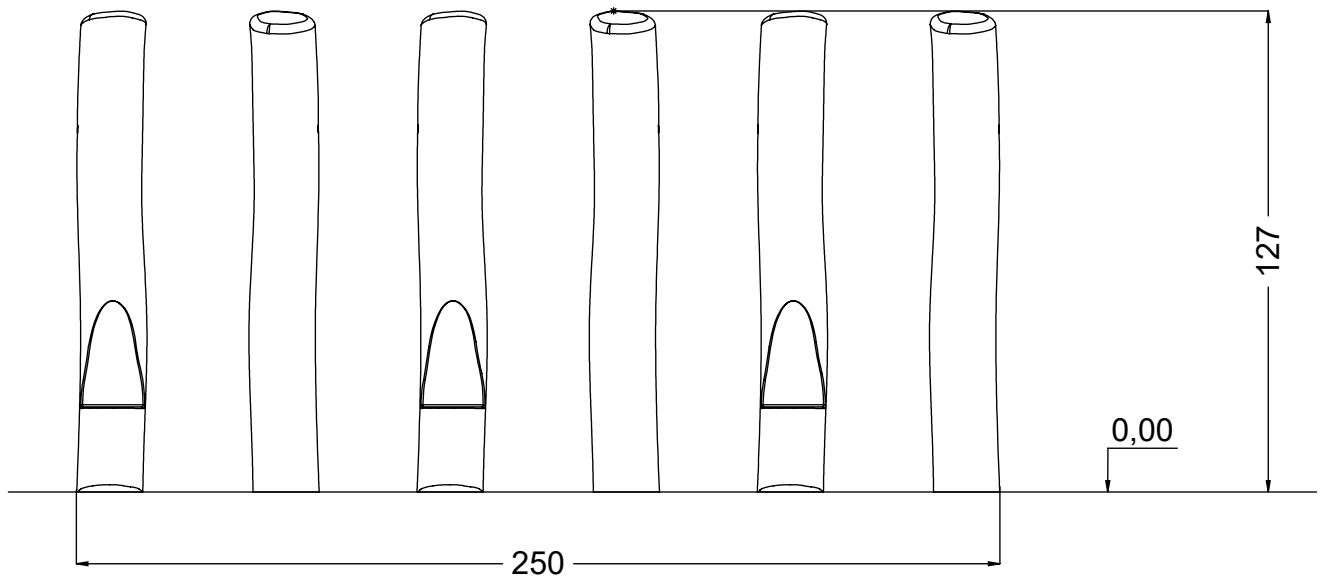


vinci  
play



[cm]

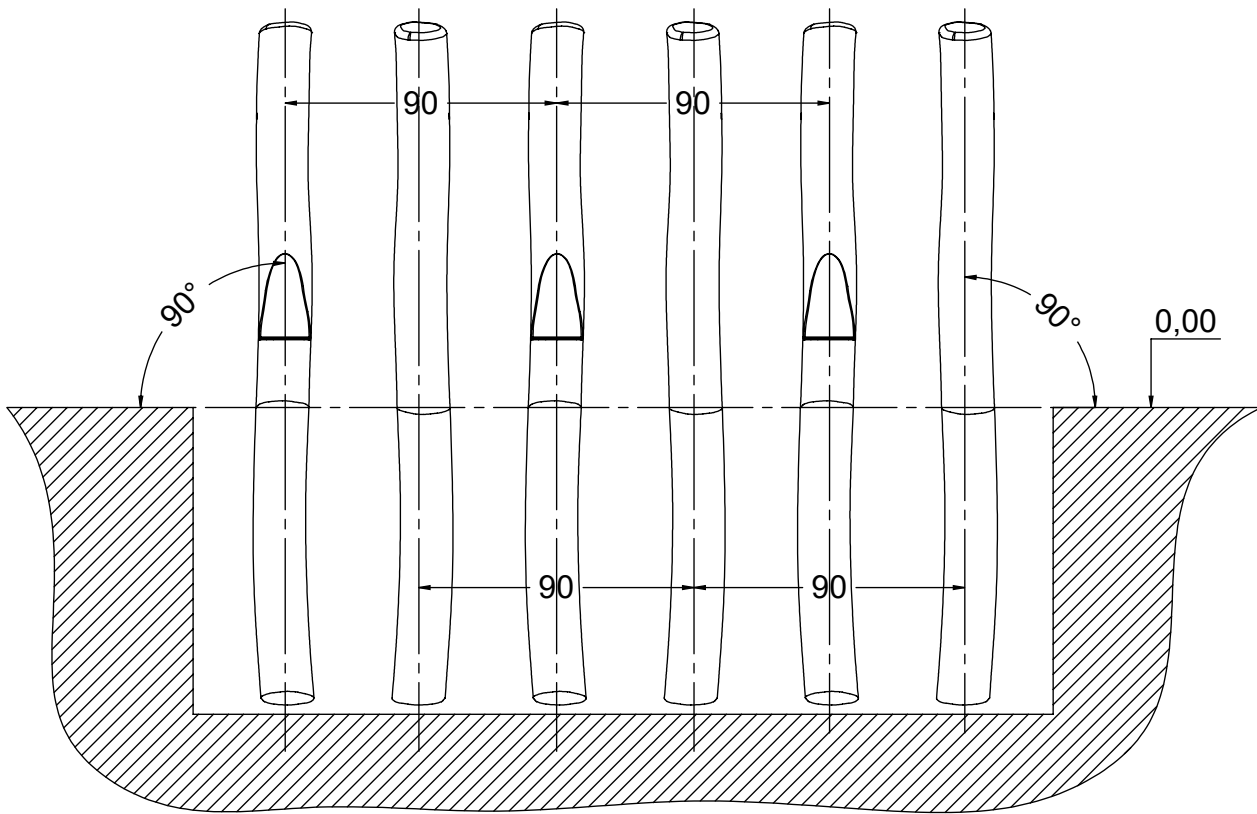
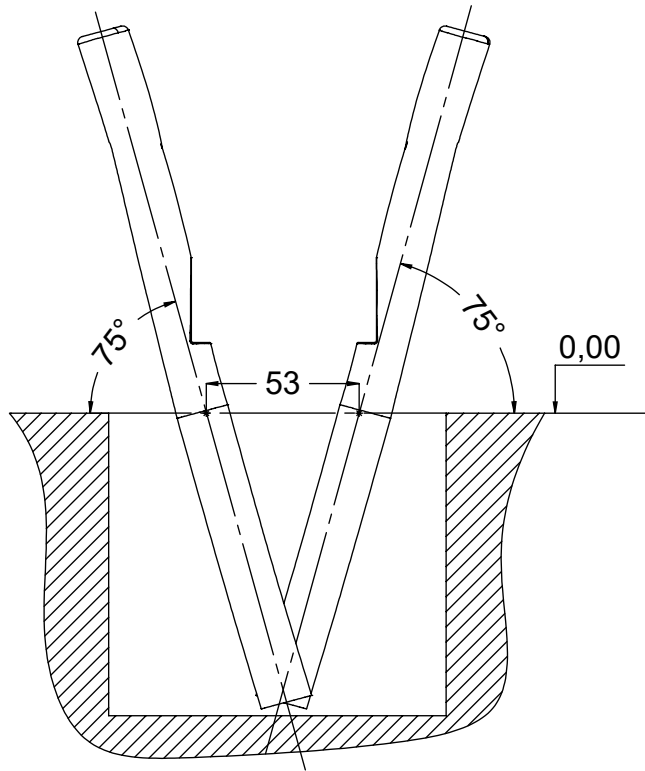
vinci  
play



[cm]



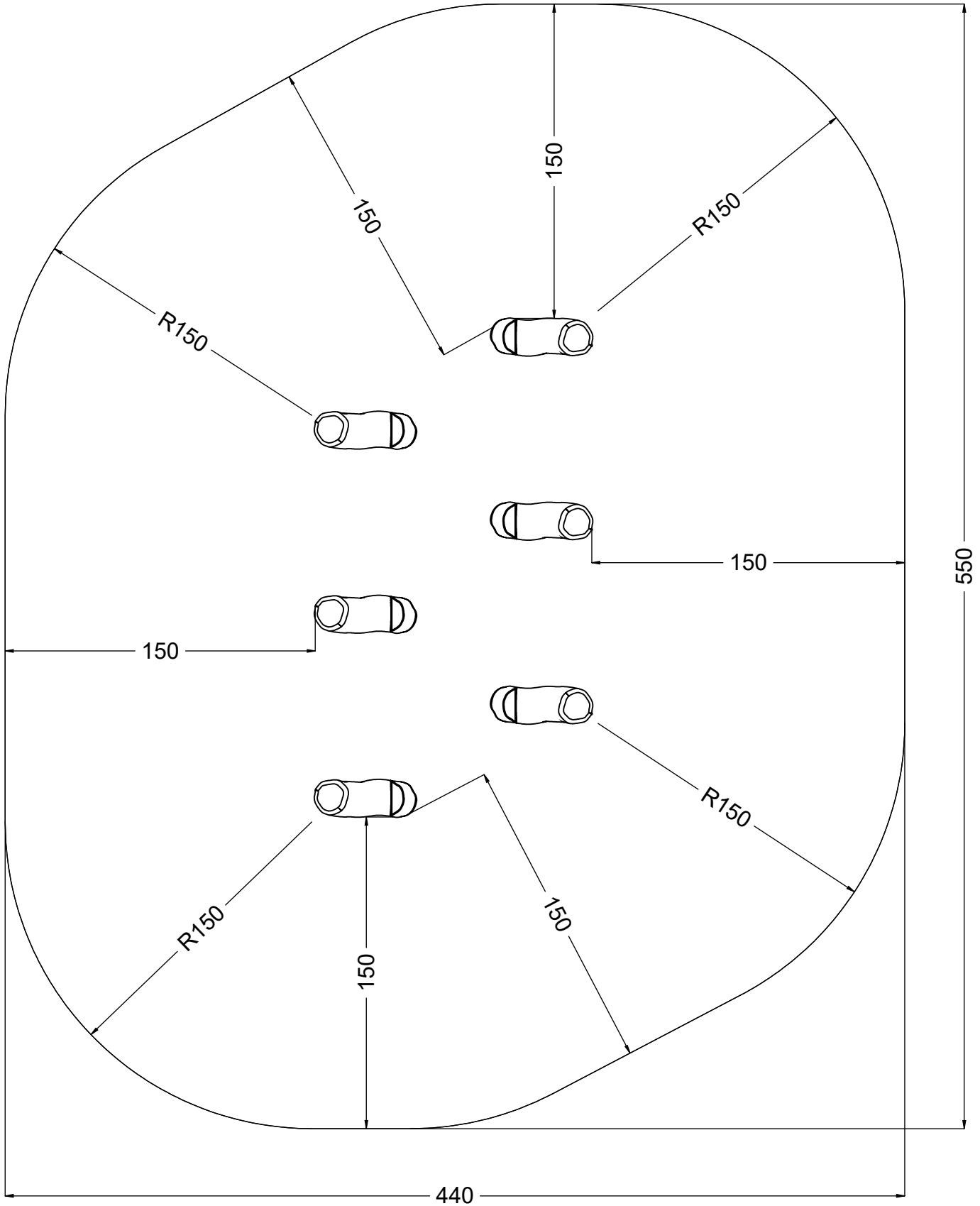
vinci  
play



[cm]



vinci  
play

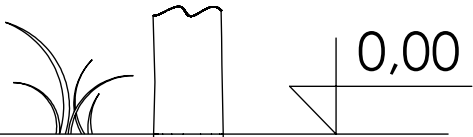


[cm]



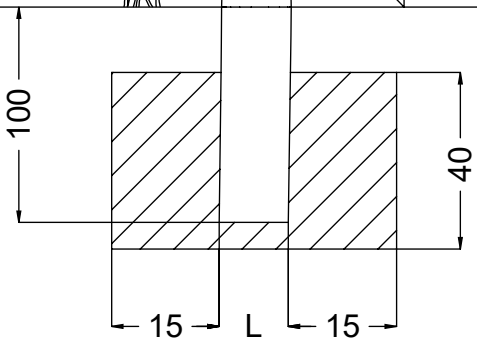
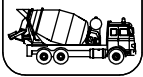
vinci  
play

K29

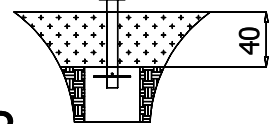


0,00

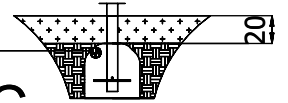
48h



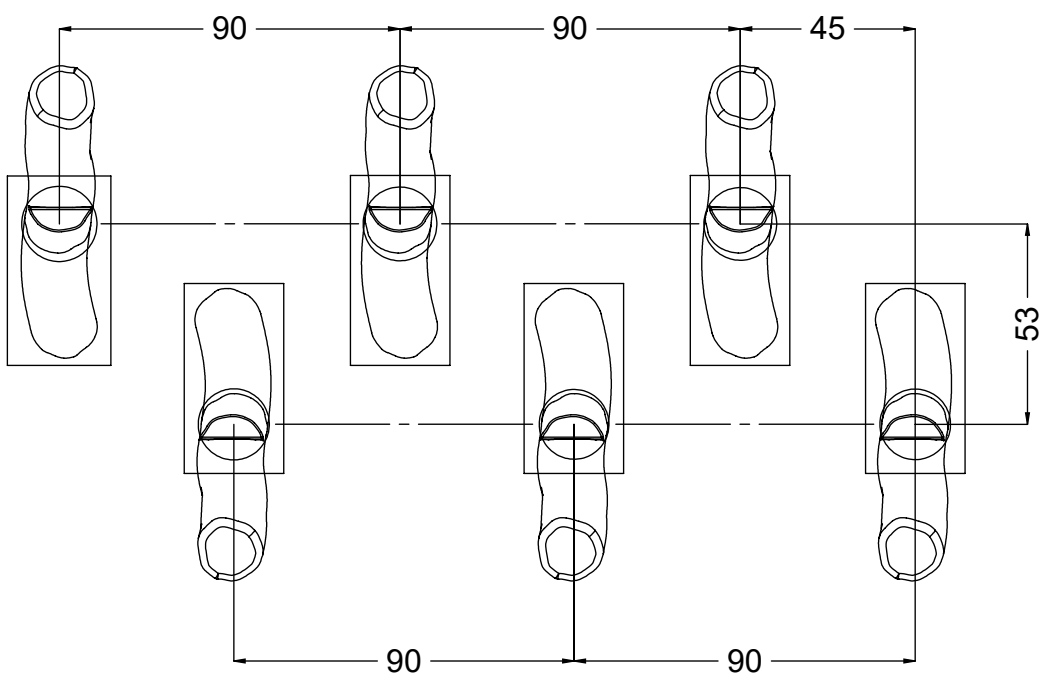
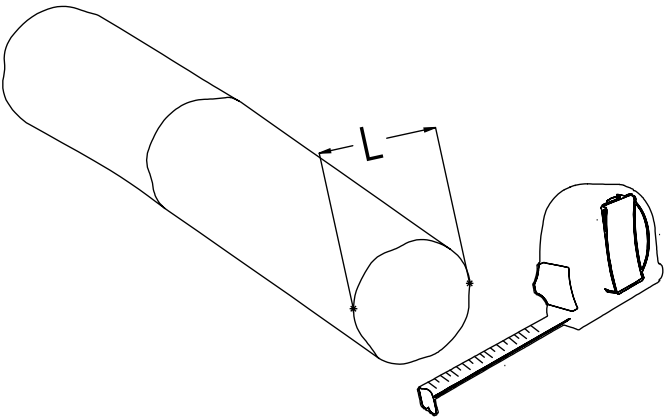
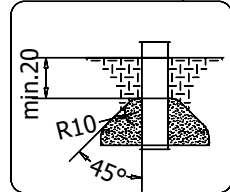
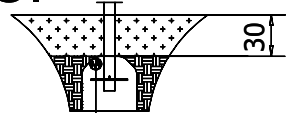
A.



B.



C.



[cm]



3h



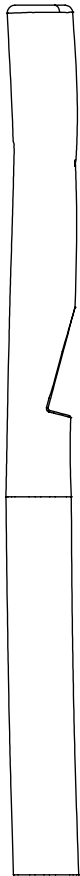
48h

K29

x6

>0.06m³

vinci play

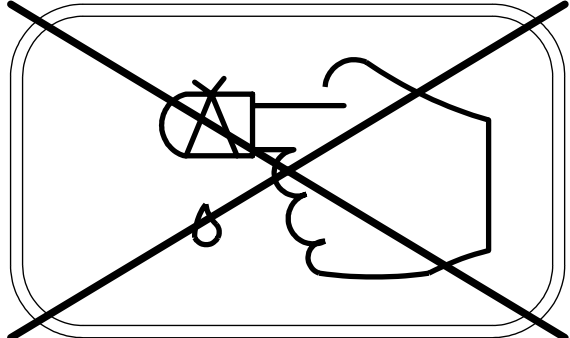
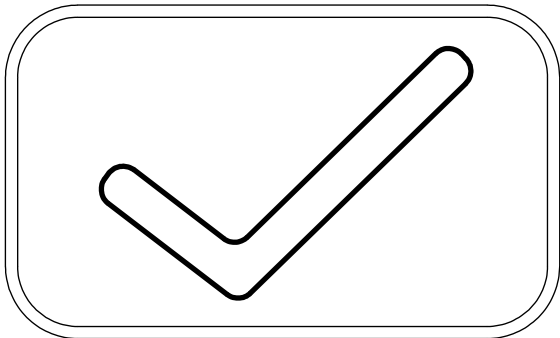
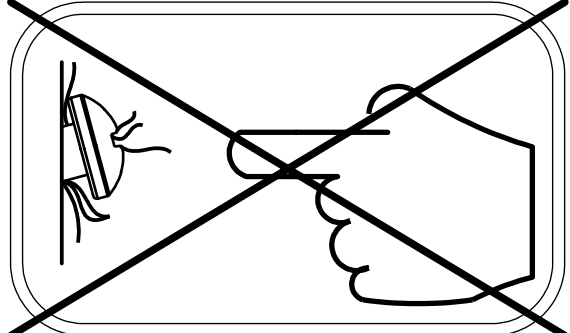
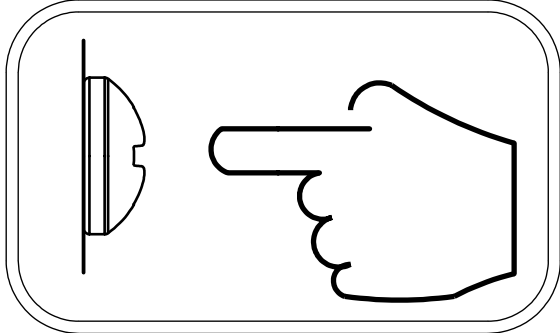
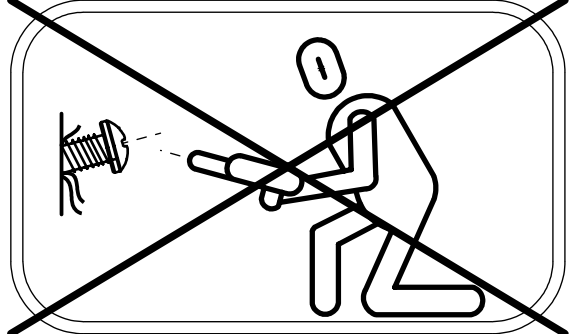
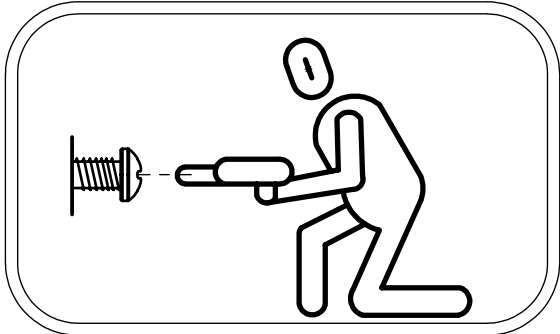


1x	V001

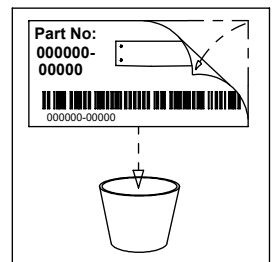
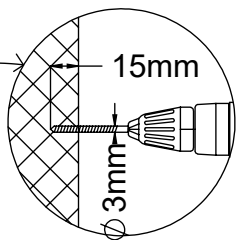
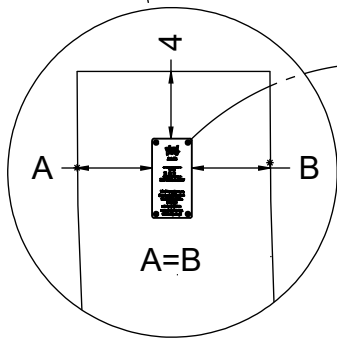
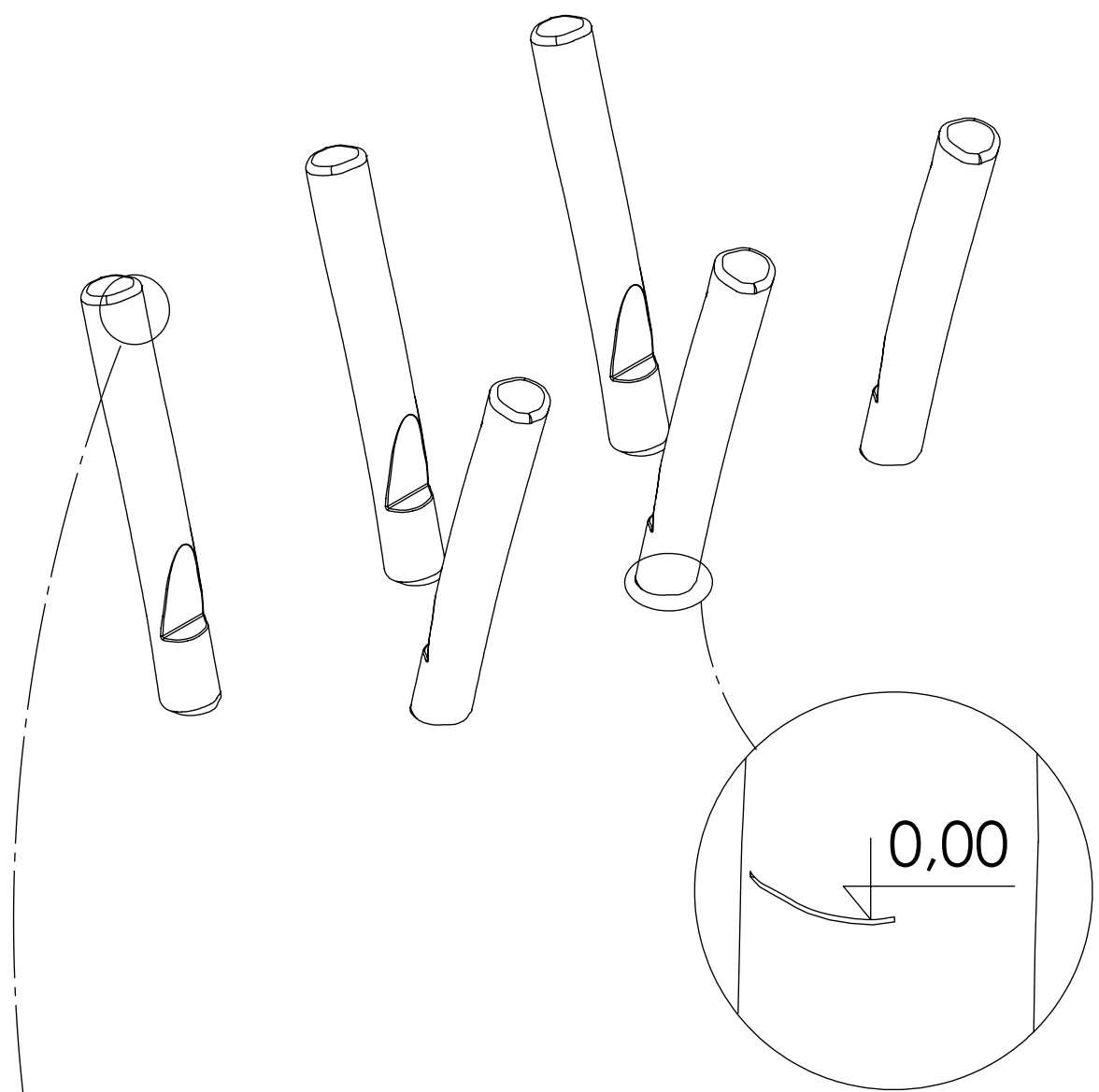
127115  
x6

[cm]

vinci  
play







[cm]

vinci play