

# CASTILLO 3029-1



4 - 14 years



101 kids



134,5 m<sup>2</sup>



## Material specification

- Powder galvanized and powder coated or stainless steel construction of 80 x 80 mm profile,
- Platforms, climbing walls and steps made of durable anti-slip and waterproof HPL plate,
- Roofs and side panels made of durable HDPE plate, resistant to weather conditions,
- Transparent polycarbonate panels with a weather-resistant print,
- Slides made of stainless steel with durable HDPE side panels,
- Fireman's pole made of stainless steel,
- Tubular sled made of stainless steel,
- Stainless steel tube slide,
- Drawing board made of durable, waterproof plywood or HPL plate, resistant to weather conditions,
- Maze windows made of polycarbonate, balls made of synthetic material,
- Music panels made of durable HDPE and HPL plate, resistant to weather conditions,
- Durable climbing stones made of polyester resin composite with mineral fillers,
- Steel ropes in polypropylene braid, connected with durable plastic elements, stainless steel or aluminum,
- Calibrated stainless steel chains, preventing fingers entrapment,
- Stainless steel bars and handrails,
- Stainless steel screws and/or screws covered with plastic caps,
- Safe end caps on top of the structure made of rubber or polypropylene,



### Facilitating disability



easy access



shelters



integration



### Intellectual development



manipulation



music



thinking



### Physical development



balance



hiding



sliding



rest



climbing





**8**  
number of towers



**4**  
number of slides



**9**  
number of roofs



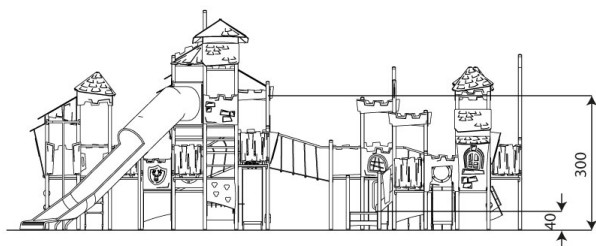
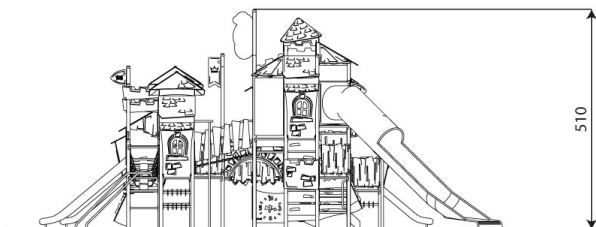
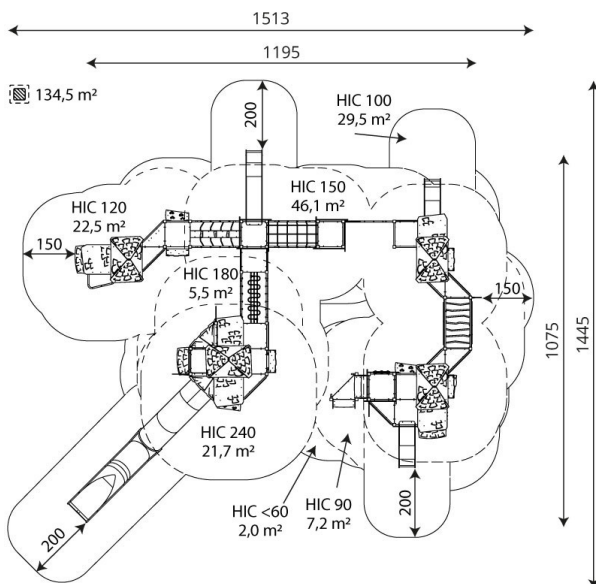
**9**  
number of interactive elements



**10**  
number of activity elements



stairs



**Product technical sheet**

**CASTILLO 3029-1**

**Product data**

Length	1195 cm
Width	1075 cm
Total height	510 cm
Age group	4 - 14 years
Number of users	101 kids
Safety zone	134,5 m2
Free fall height	240 cm
The height of the platforms	40, 90, 120, 150, 180, 210, 240, 300 cm
tube slide platform height	240 cm
slide platform height	90, 120, 150 cm
In accordance with norm EN	1176-1:2017+A1:2023
Weight of the heaviest part	235 kg
Dimensions of the largest part	513x101x366 cm
Availability of spare parts	YES
Installation time	35 h

Color options

Data is subject to change without prior notice.

**Additional information**

- equipment adapted for the disabled; intended for public playgrounds;
- equipment has a certificate issued by an accredited entity or a declaration of conformity;
- no sharp edges or chinks that would pose a danger of jamming the head, fingers or any other body parts;
- anchoring on flat surface, 80/70 cm deep;
- slide should not be installed southwards;
- render is for reference only, the actual appearance of the equipment and its color may vary;

**Guarantee**

**30**

30 year guarantee - Durability of steel and stainless steel structural elements

**15**

15 year guarantee - Durability of steel and stainless steel structures of mobile devices; durability of Robinia wood structural elements

**10**

10 year guarantee - Structural strength of HDPE, 100% recycled HDPE and HPL elements; structural elements made of 100% recycled material (composite)

**5**

5 year guarantee - Corrosion resistance of stainless steel and hot-dip galvanized and powder-coated steel elements, resistance to bark beetles and rotting of wooden structural elements

Detailed information in the guarantee card

Vinci Group Sp. z o.o.  
Seminaryjna 9 Street  
99-400 Łowicz

VAT: 534-250-14-46  
PHONE: +48 42 203 24 99 ext. 26  
M: +48 793 404 991



biuro@vinci-play.com  
info@vinci-play.com  
[www.vinci-play.com](http://www.vinci-play.com)

## Surfaces according to EN 1176-1:2017+A1:2023

	Description (mm)	Layer thickness (cm)	Maximum fall heights (cm)
Turf/ top layer of soil (A,B,C)	-	-	≤100
bark (A,C)	Particle size from 20 to 80	30	≤200
		40	≤300
woodchips (A,C)	Particle size from 5 to 30	30	≤200
		40	≤300
sand or gravel (A,C)	Particle size from 0,25 to 8	30	≤200
		40	≤300
synthetic attested (A,B,C)	Tested according to EN 1177		240

## Product technical sheet

# CASTILLO 3029-1

### Amount of safe surface corresponding with free fall height:

HIC <60	2,0 m <sup>2</sup>
HIC 90	7,2 m <sup>2</sup>
HIC 100	29,5 m <sup>2</sup>
HIC 120	22,5 m <sup>2</sup>
HIC 150	46,1 m <sup>2</sup>
HIC 180	5,5 m <sup>2</sup>
HIC 240	21,7 m <sup>2</sup>

Data is subject to change without prior notice.

