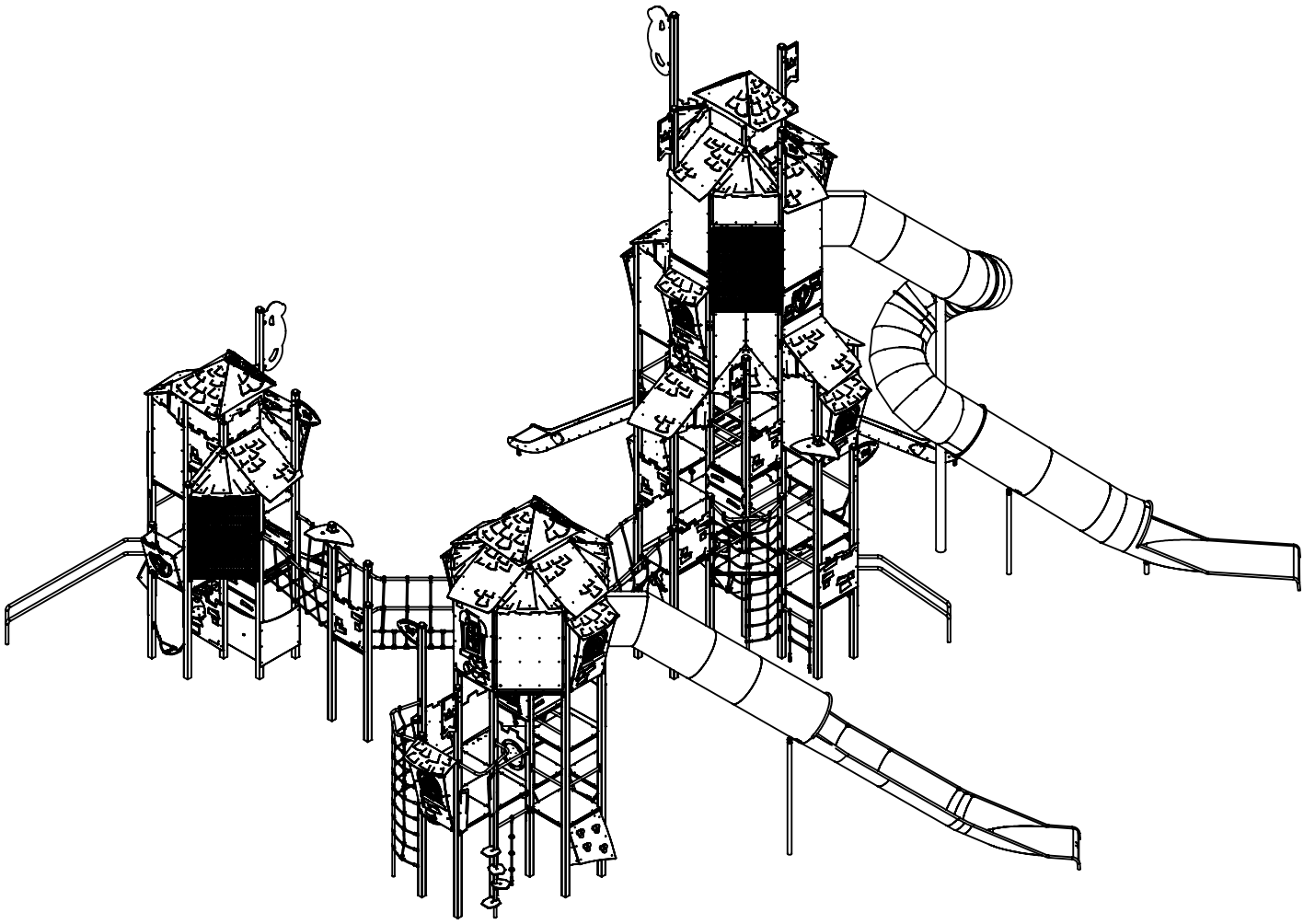
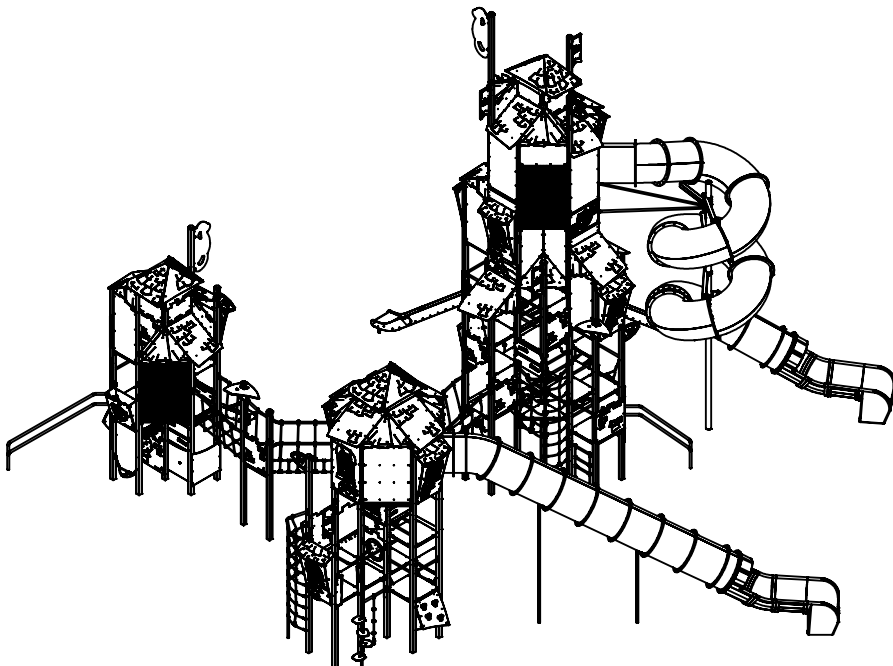


3045-1



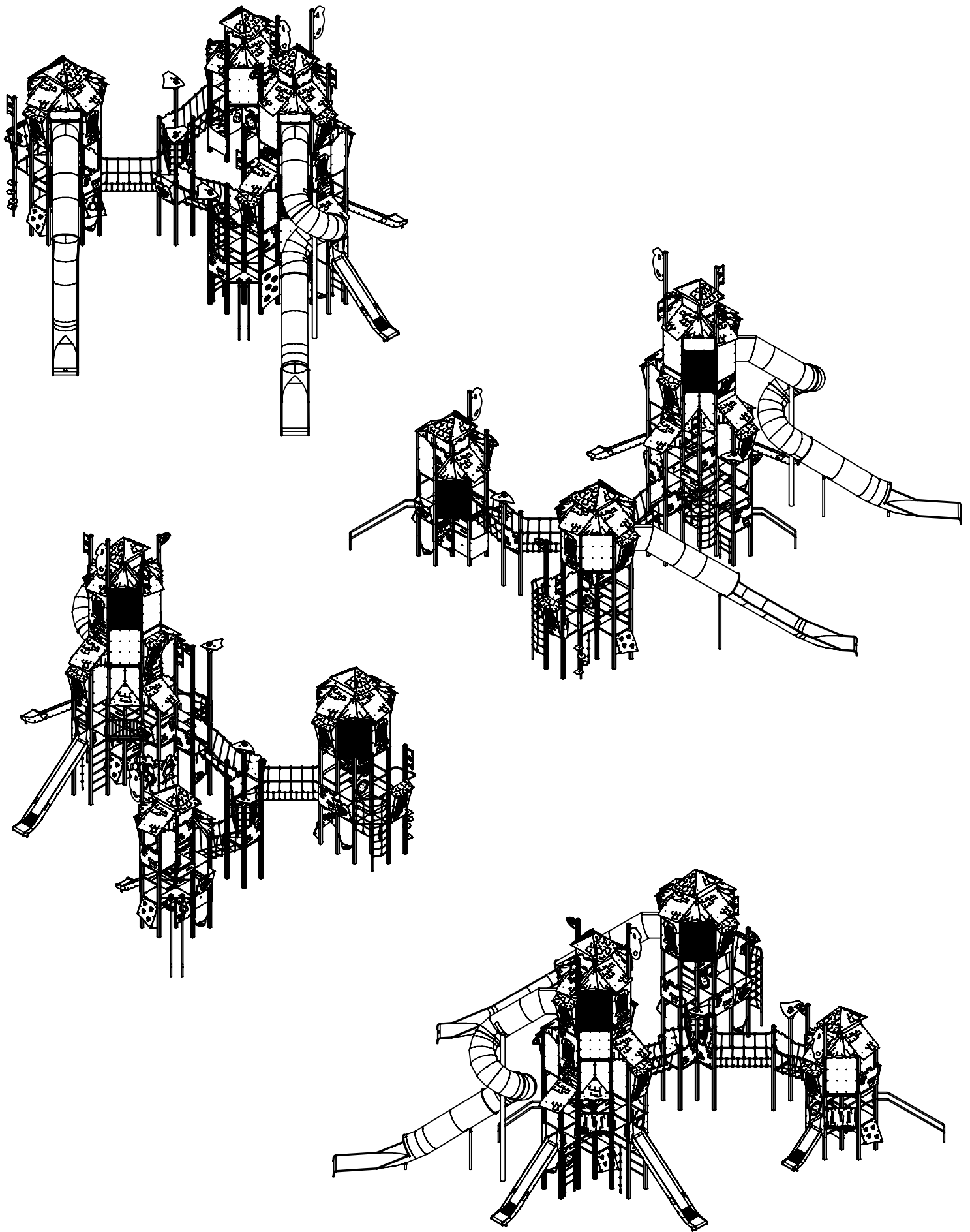
3045-1S2



v012
27.09.2024
A. D.
[cm]

x5	48 h	270 HIC	96h	K3 >13,9m³	K2 >12,5m³	K23/K1 x8/x7 >0,6m
13	17	5	6			PZ1

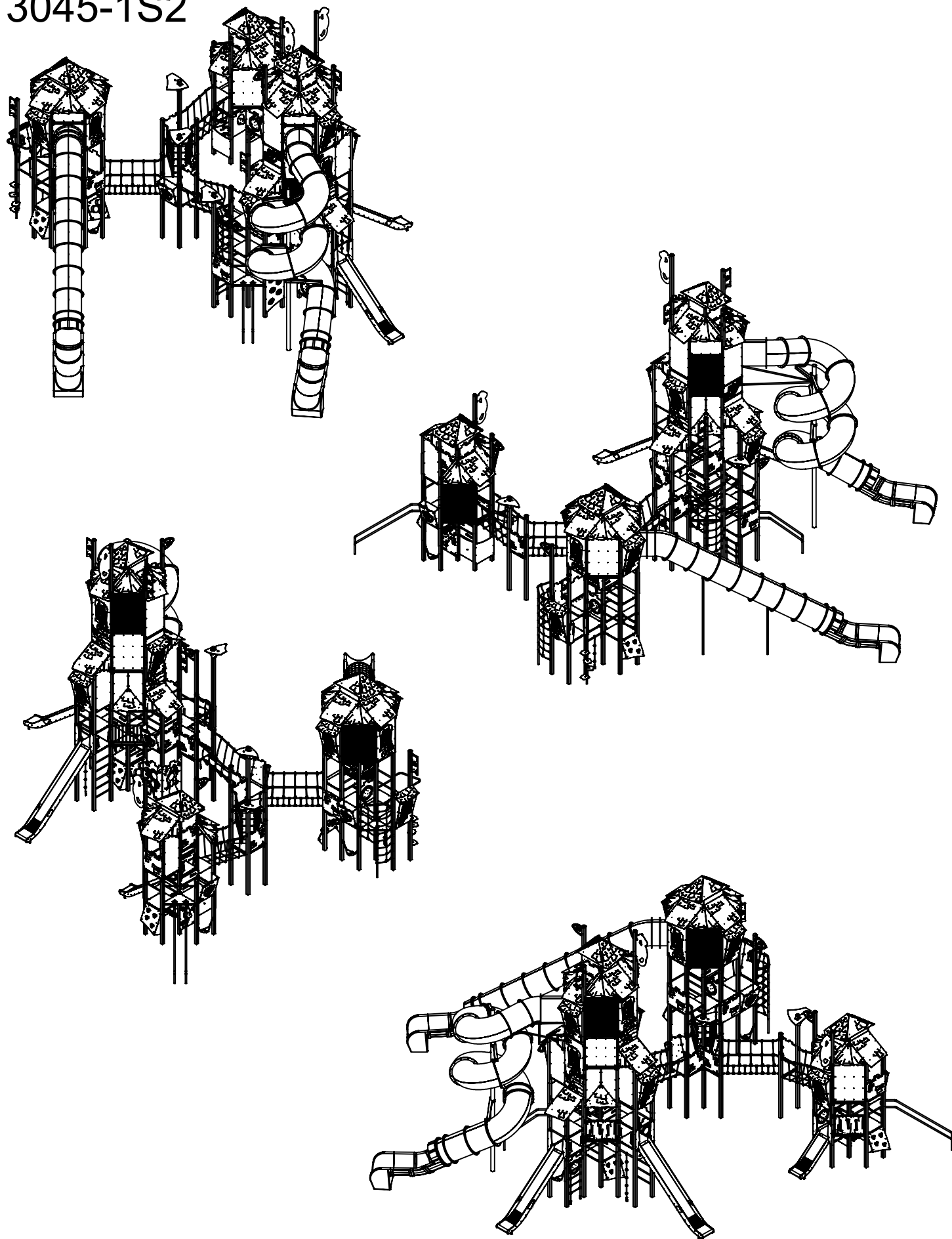
vinci
play



[cm]

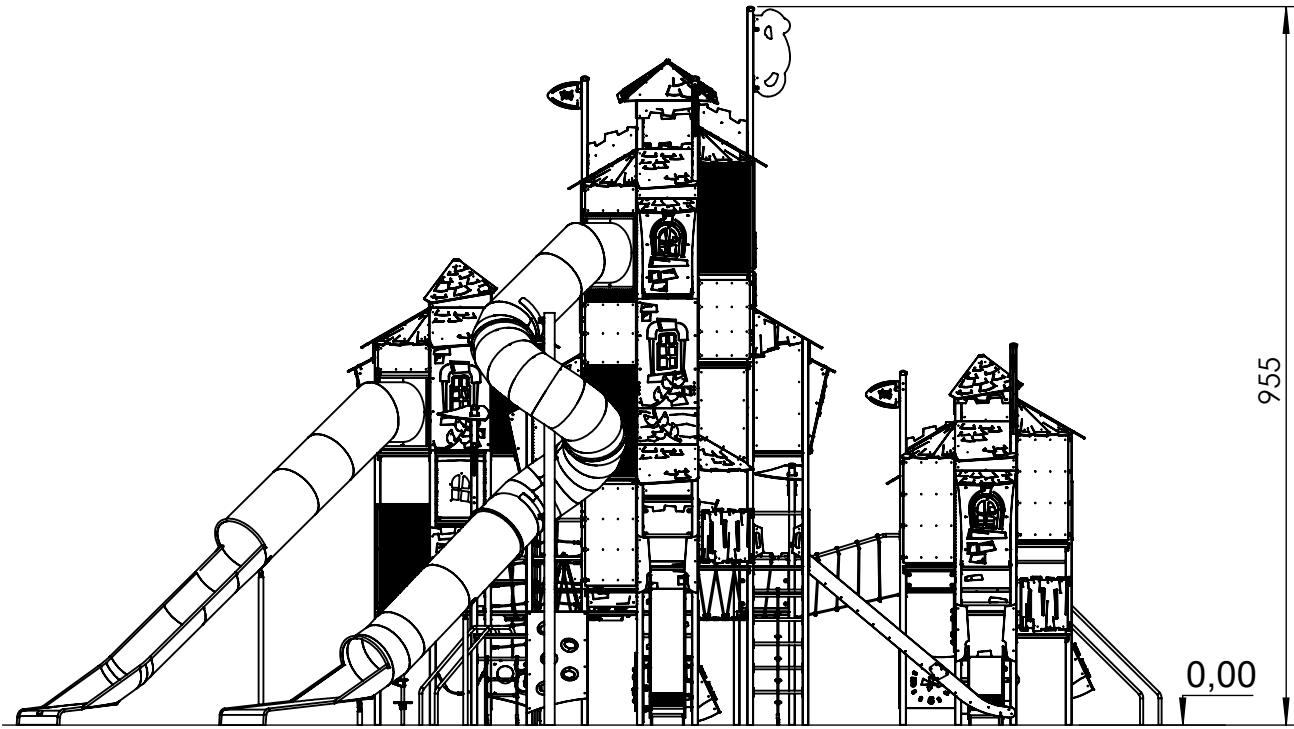
vinci
play

3045-1S2

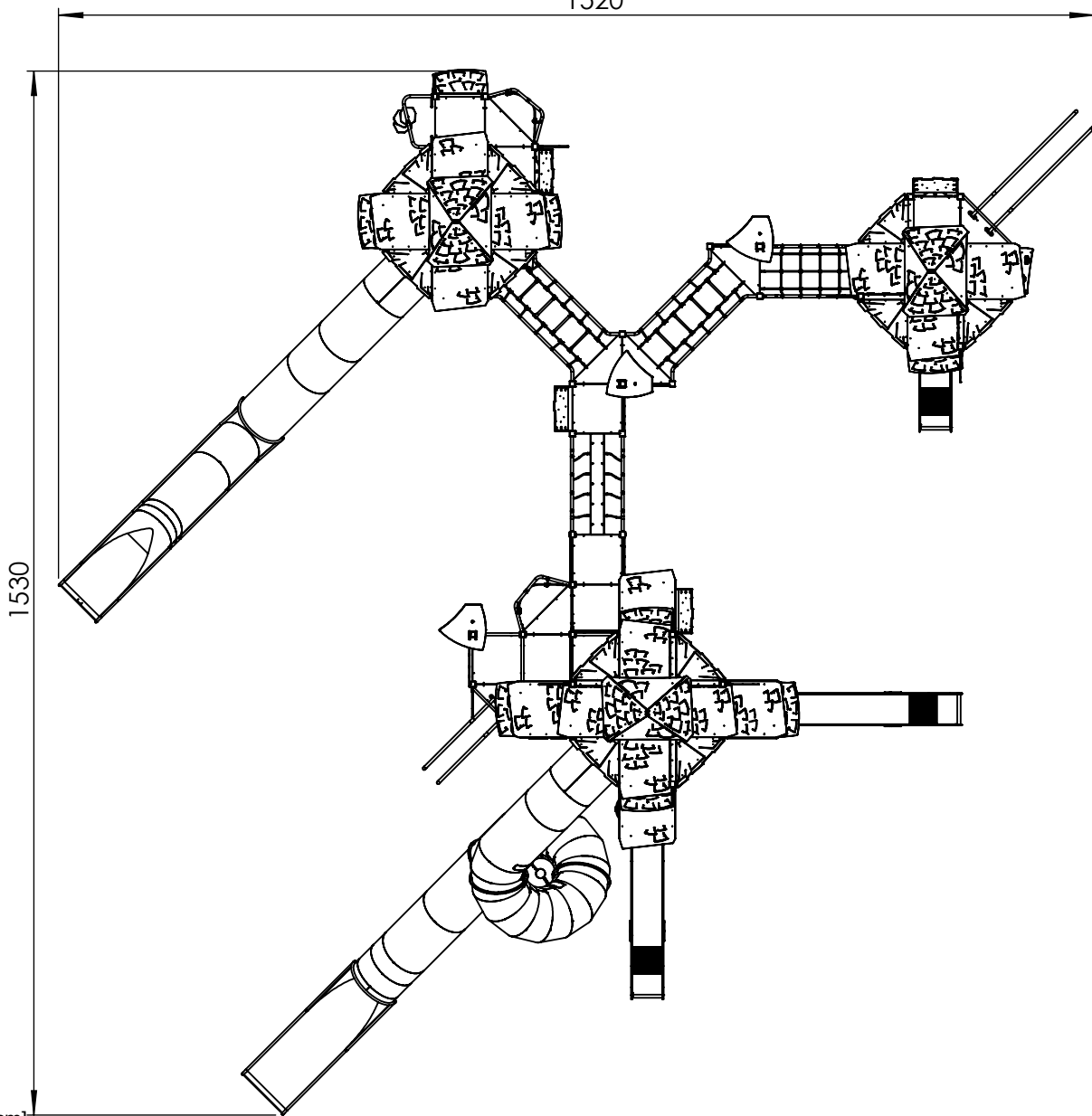


[cm]

vinci
play



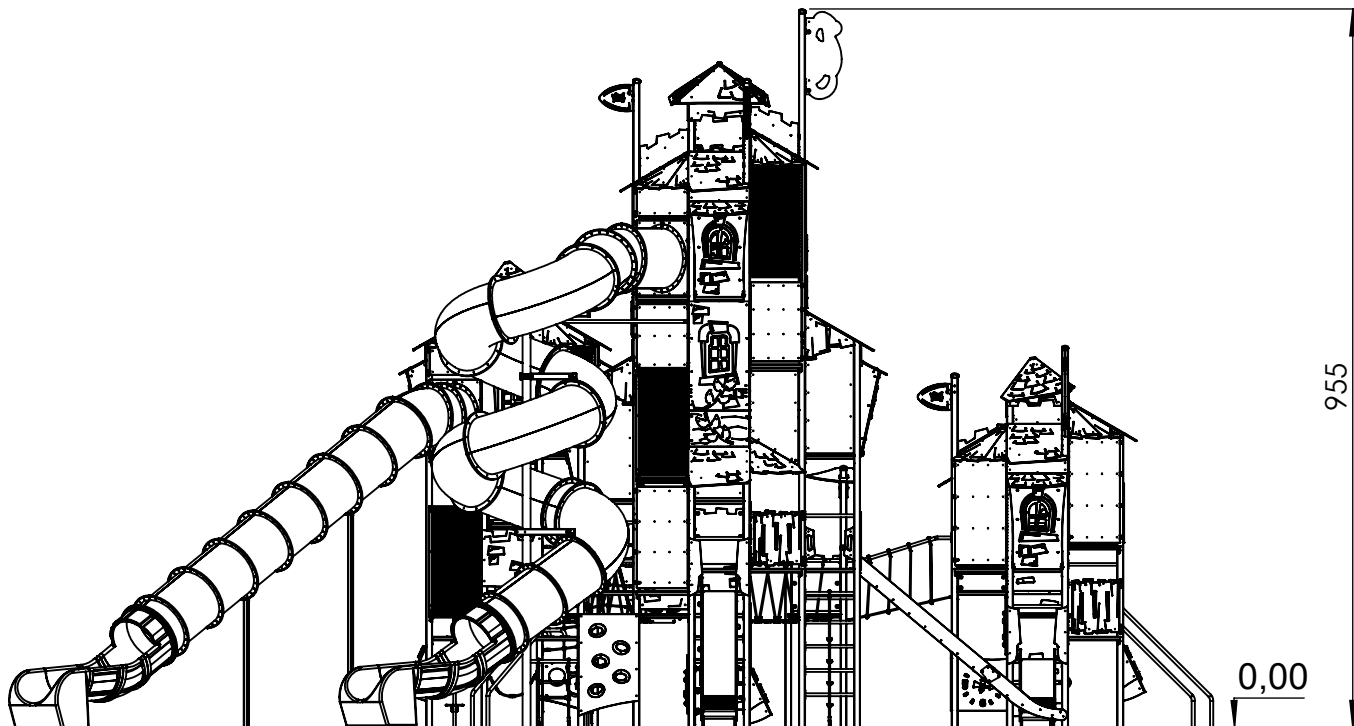
1520



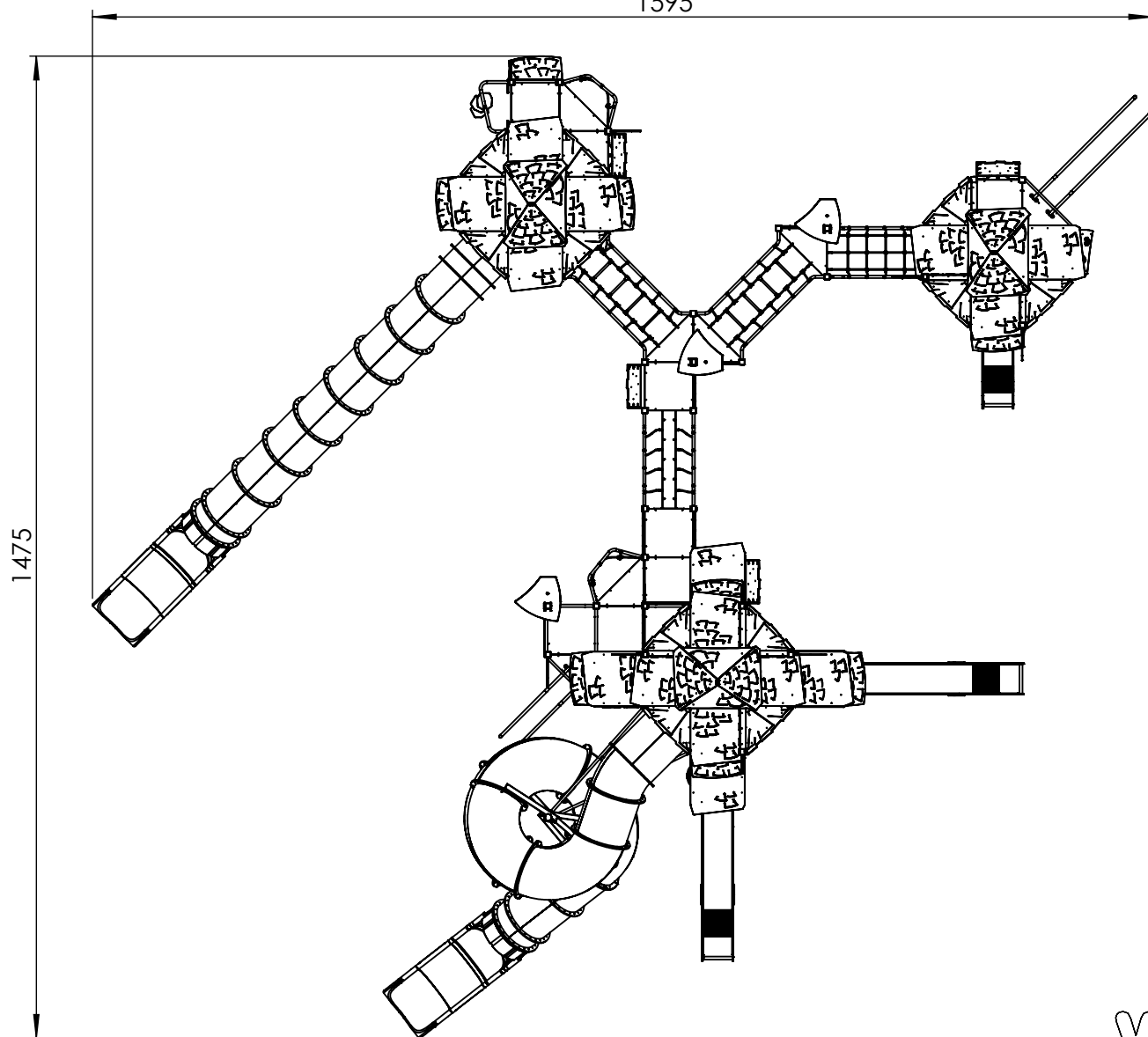
[cm]

vinci
play

3045-1S2

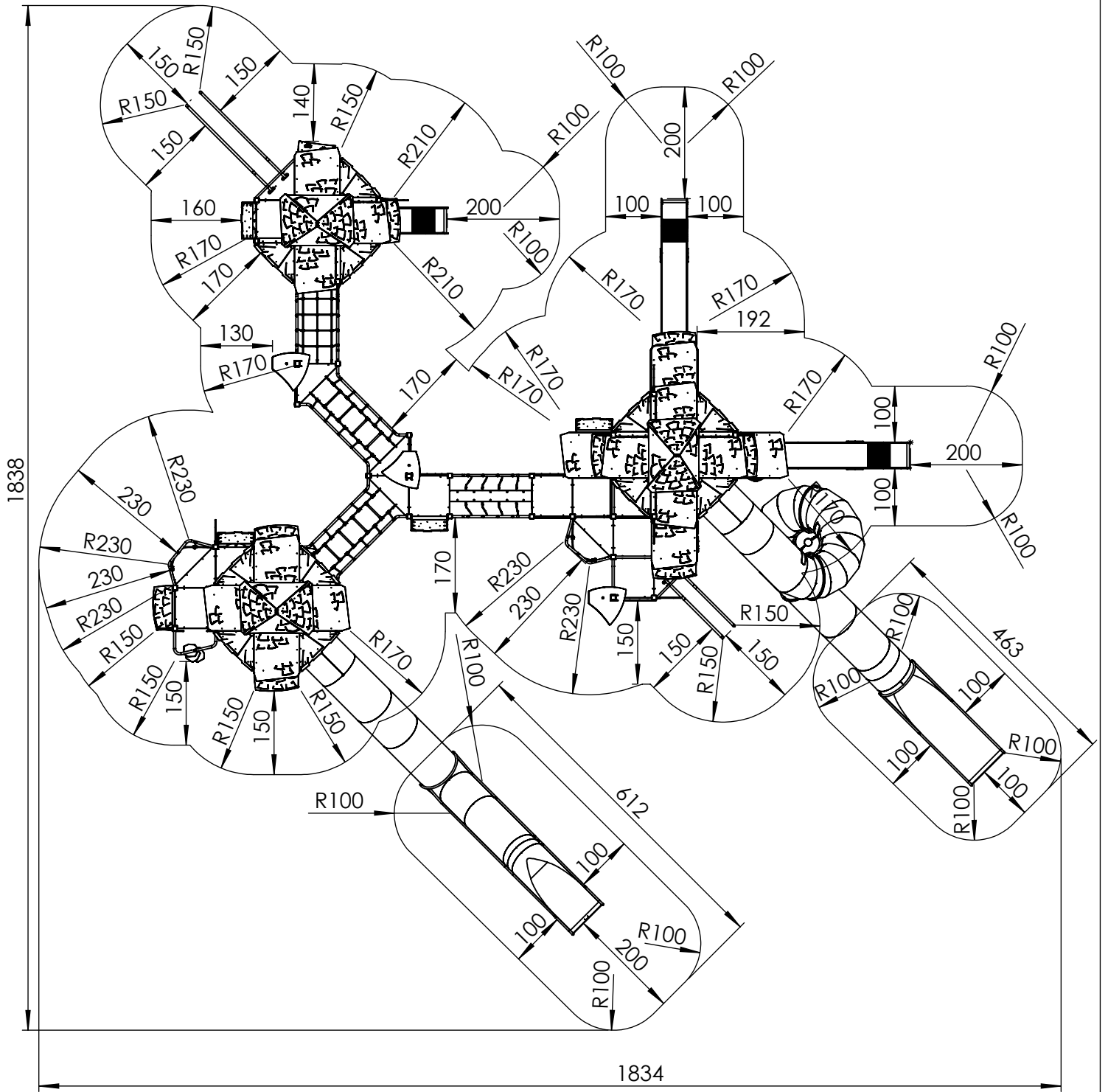


1595



[cm]

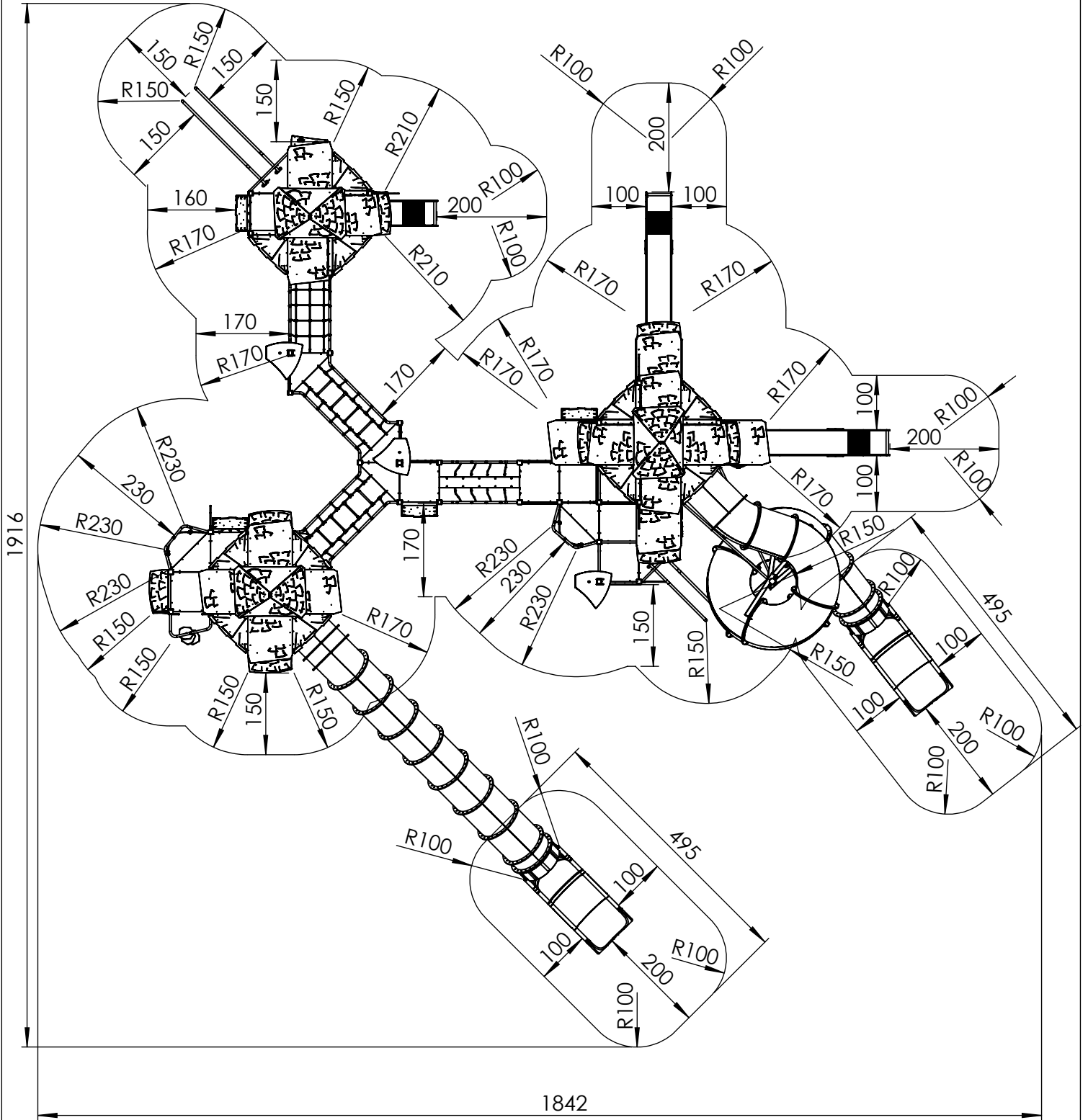
vinci
play



[cm]

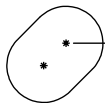
vinci
play

3045-1S2

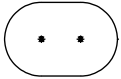
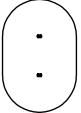
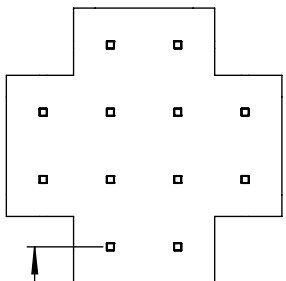


[cm]

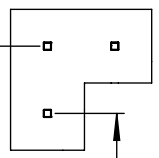
vinci
play



3045-1.03

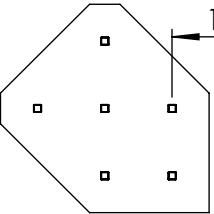


148

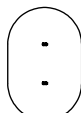
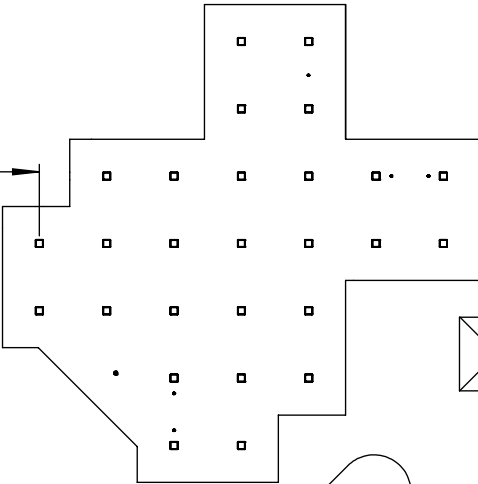


3045-1.04

148

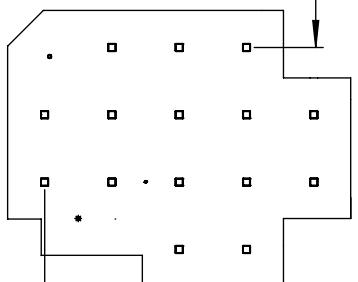


3045-1.01



3045-1.02

256



K23/K3



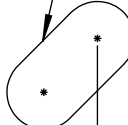
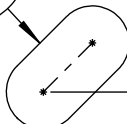
K23/K3



K23/K3



K23/K3

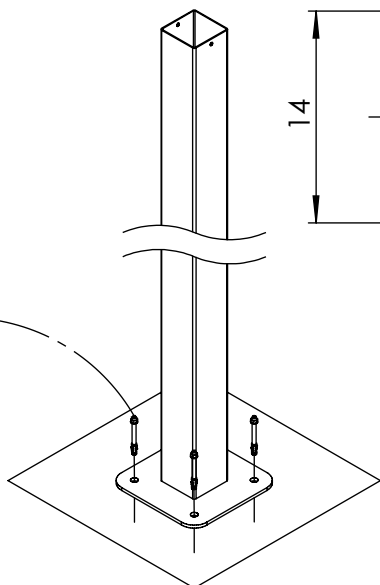
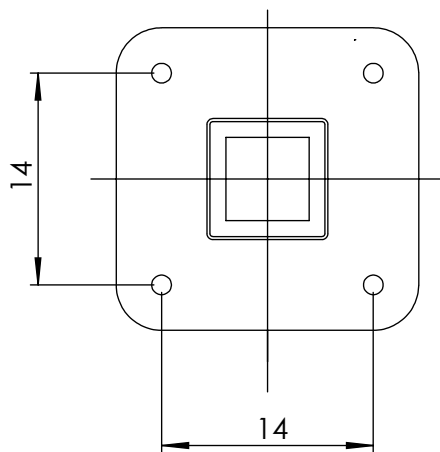
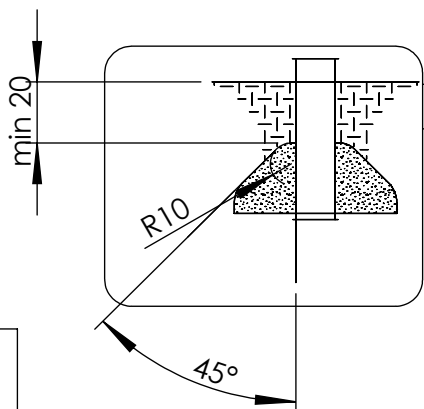
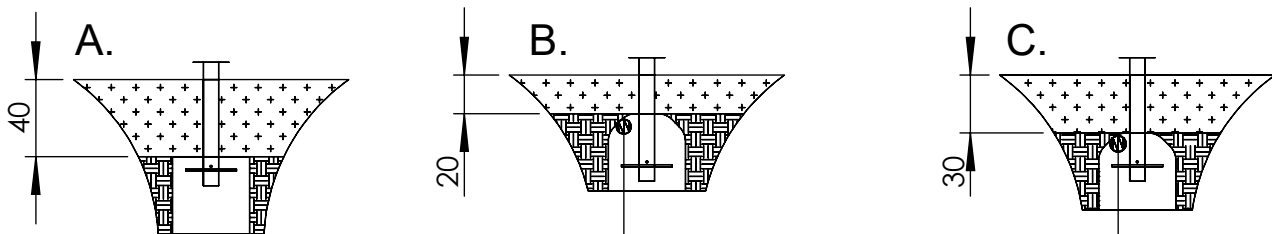


1488

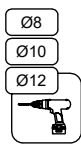
1515

[cm]

vinci play



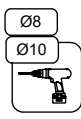
K3
 M12x120 x12
 M10x120 x282
 M8x120 x18



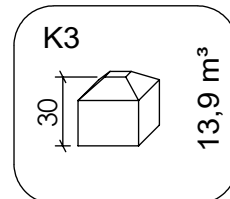
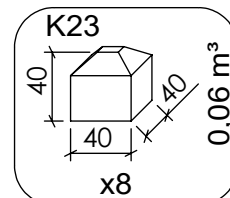
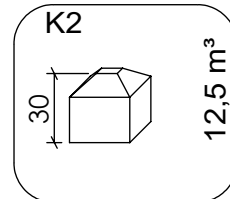
NOT INCLUDED



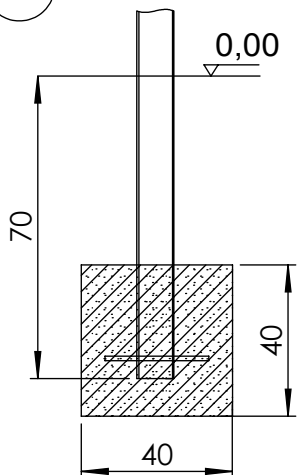
K2
 M10x120 x264
 M8x120 x16



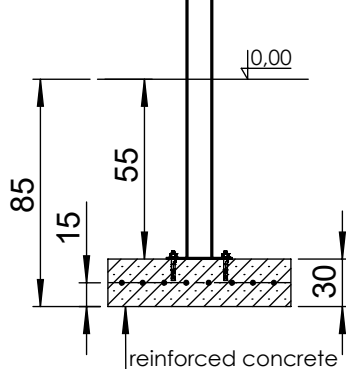
NOT INCLUDED



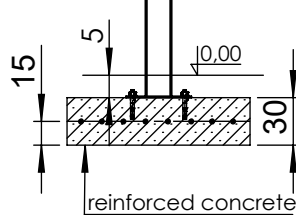
K23



K2



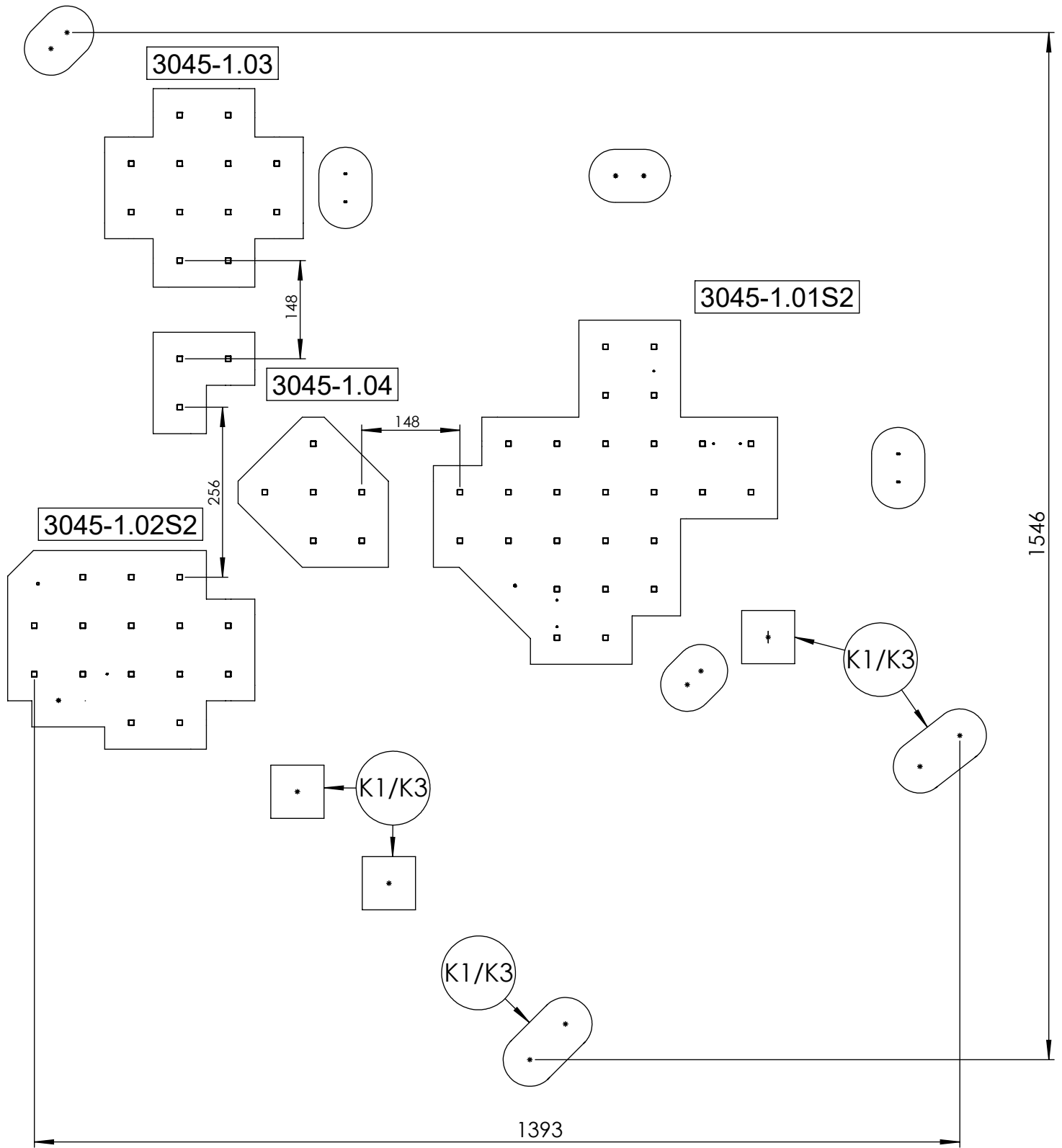
K3



[cm]

vinci play

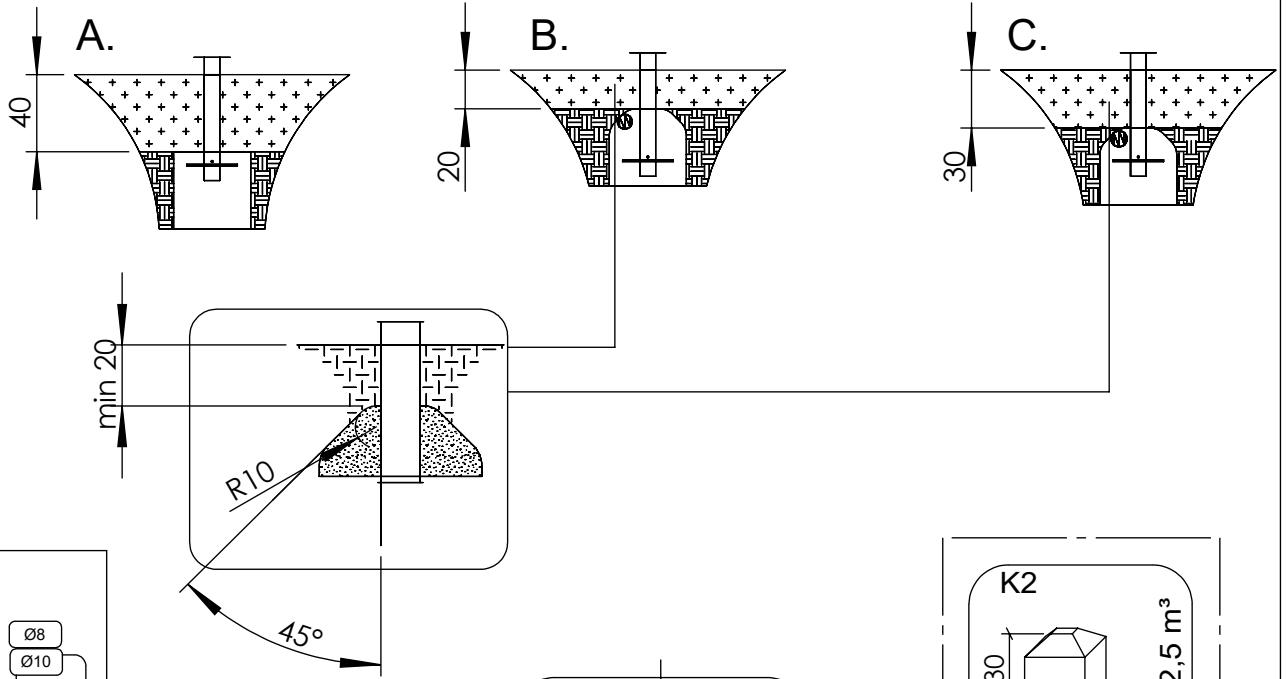
3045-1S2



[cm]

vinci
play

3445-S2



K3

M10x120 x278
M8x120 x6

Ø8
Ø10

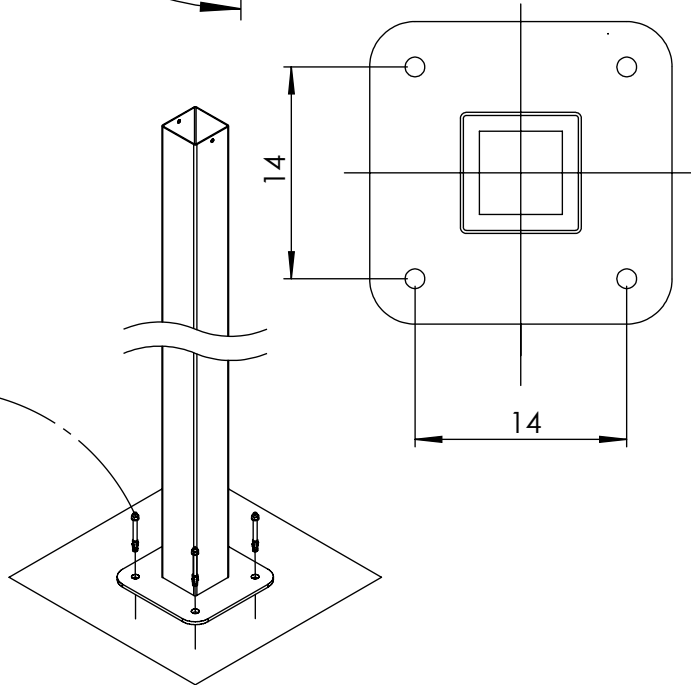
NOT INCLUDED

K2

M10x120 x296
M8x120 x13

Ø8
Ø10

NOT INCLUDED



K2

30

12,5 m³

K1

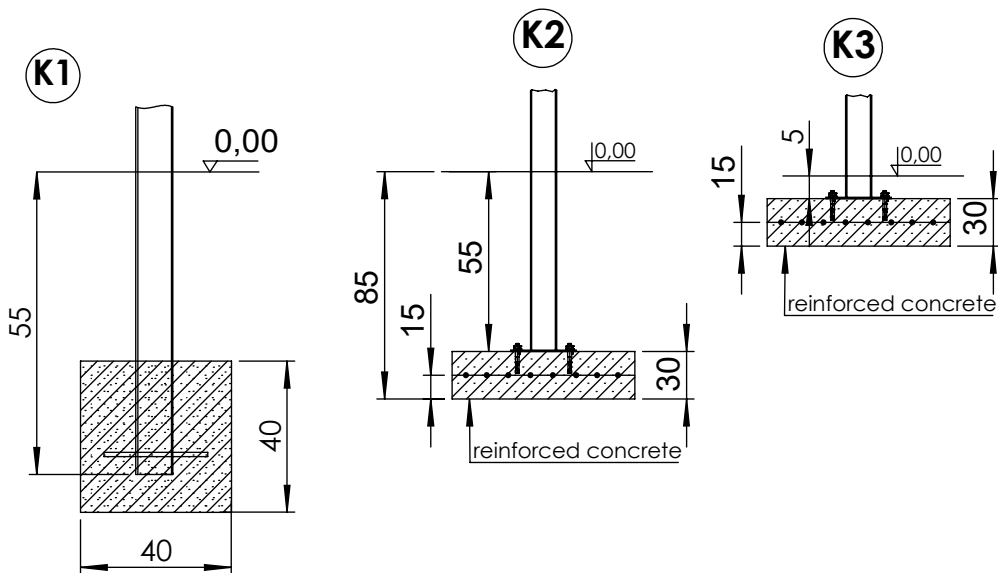
40
40
x7

0,06 m³

K3

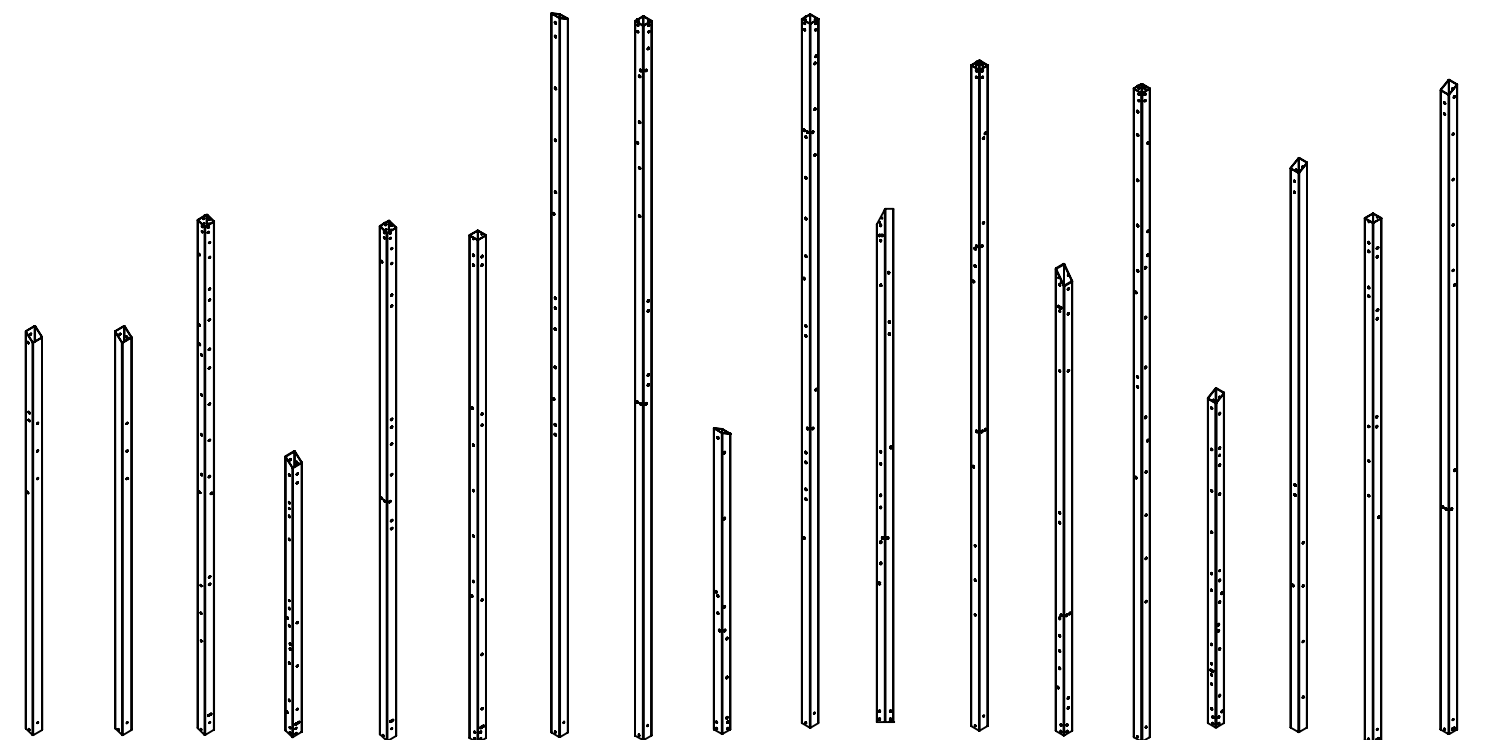
30

13,7 m³

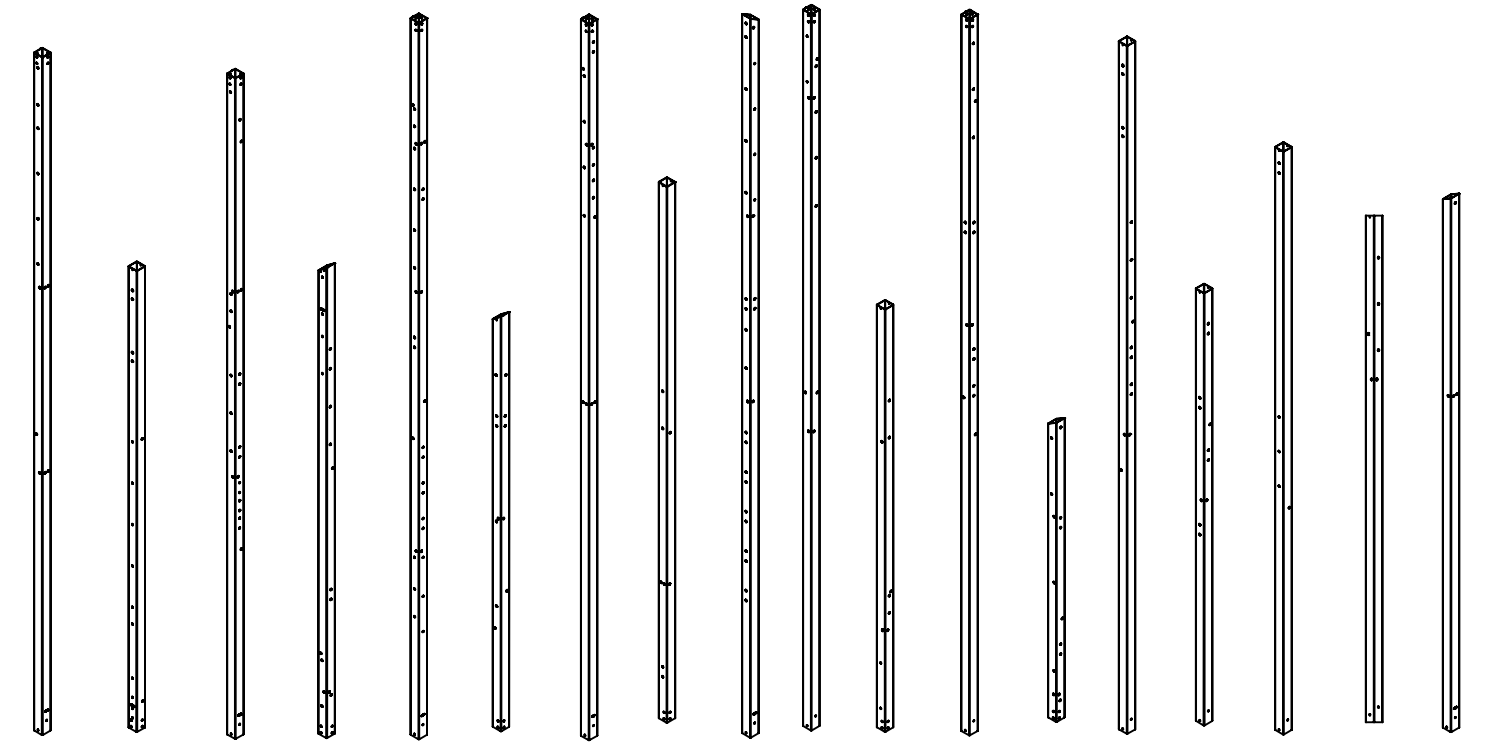


[cm]

vinci
play

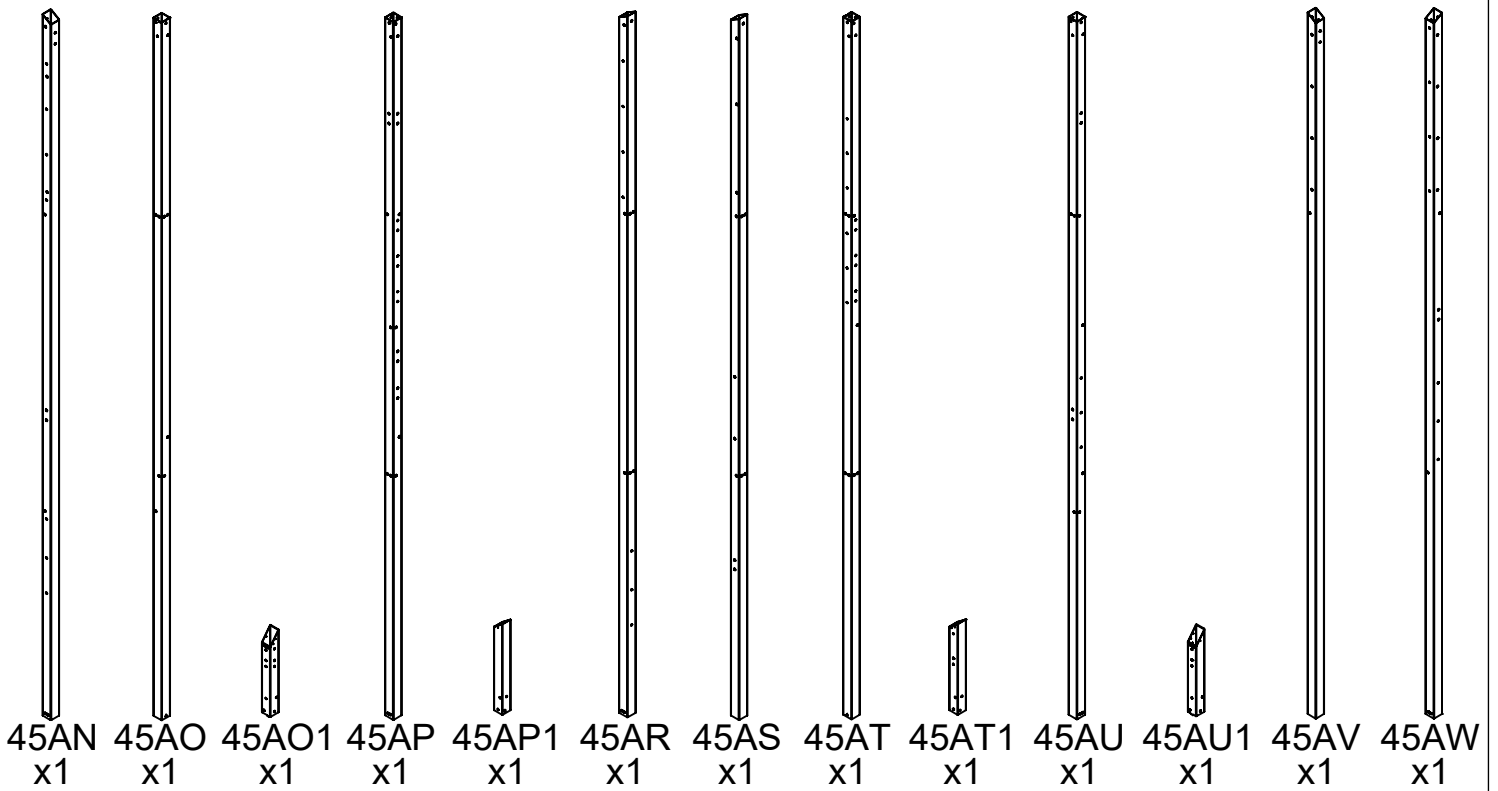
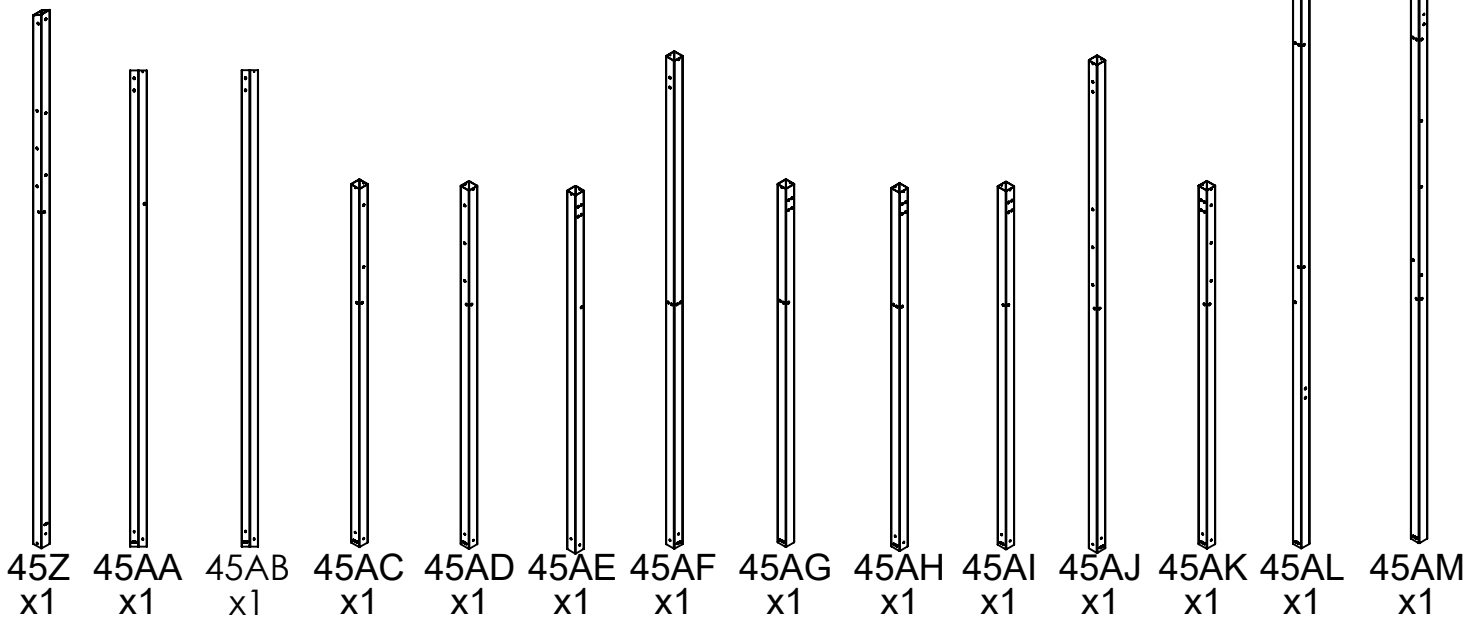


45A x1 45B x1 45C x1 45C1 x1 45D x1 45D1 x1 45E x1 45F x1 45F1 x1 45G x1 45G1 x1 45H x1 45H1 x1 45I x1 45I1 x1 45J x1 45K x1 45L x1



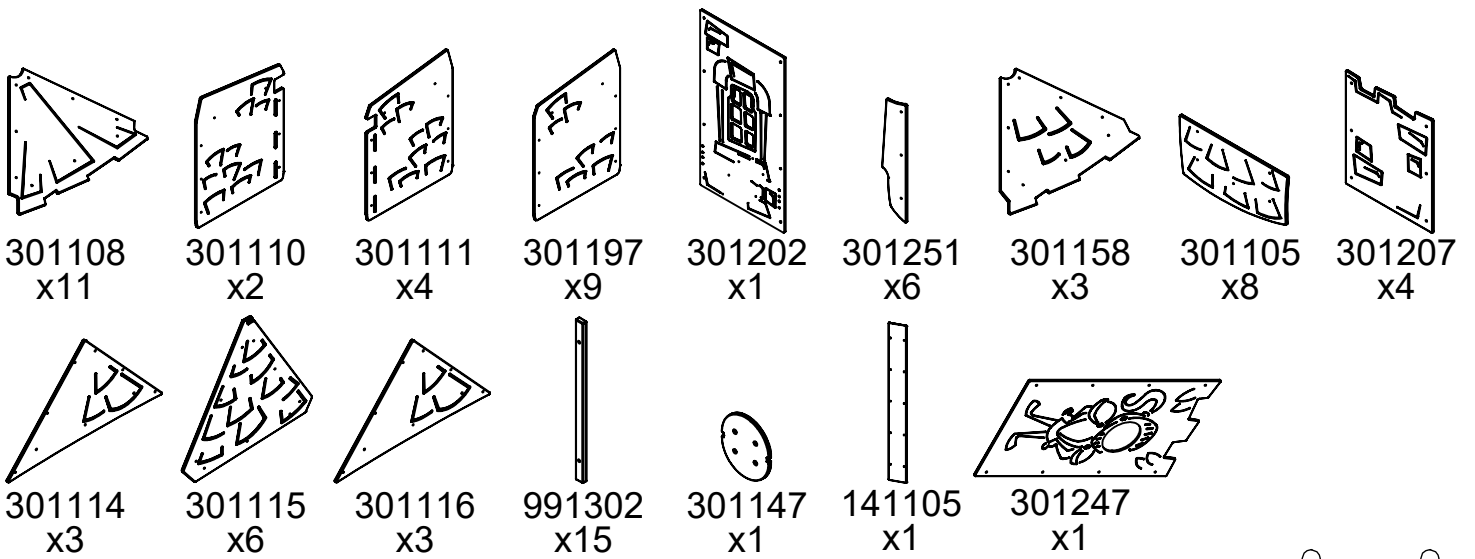
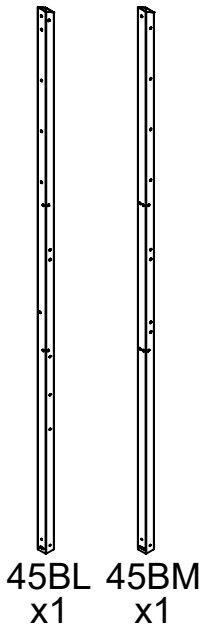
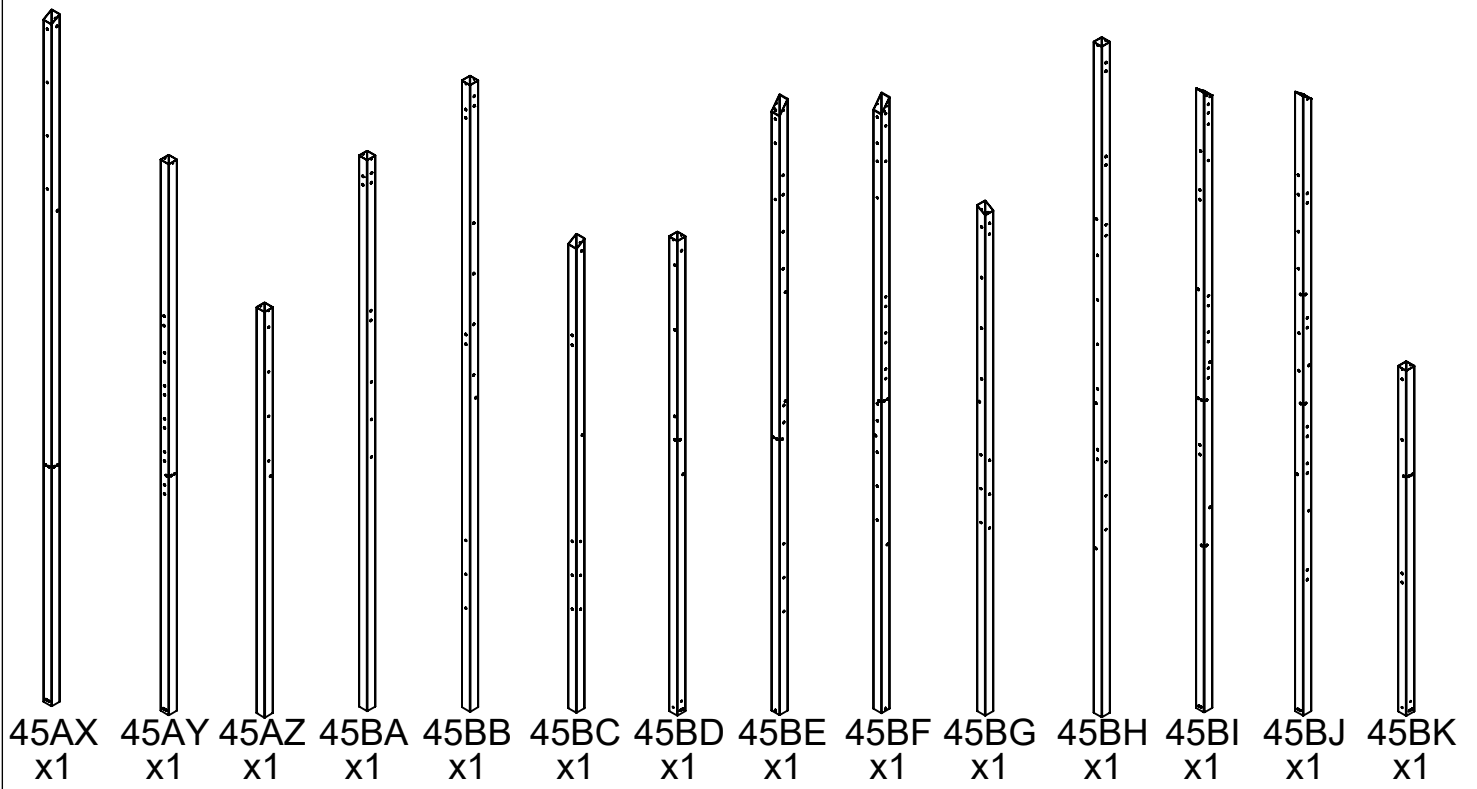
45M x1 45M1 x1 45N x1 45N1 x1 45O x1 45O1 x1 45P x1 45P1 x1 45R x1 45S x1 45S1 x1 45T x1 45T1 x1 45U x1 45V x1 45W x1 45X x1 45Y x1

[cm]



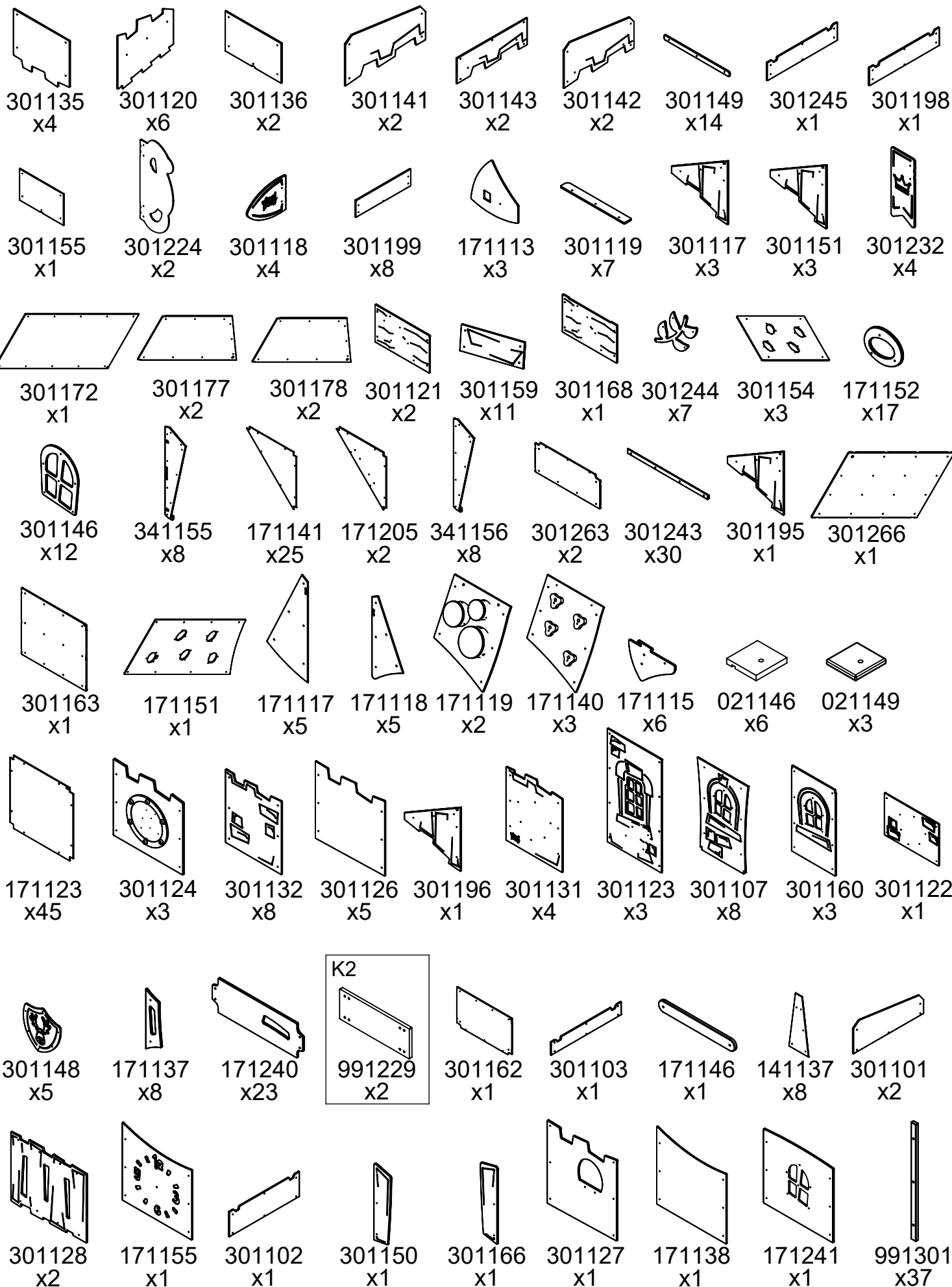
[cm]

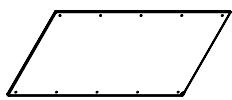
vinci
play



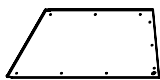
[cm]

vinci
play

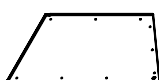




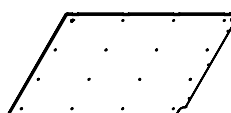
301138
x1



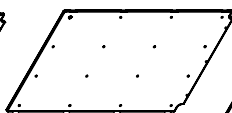
301179
x1



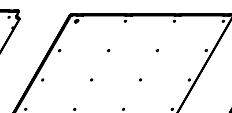
301157
x1



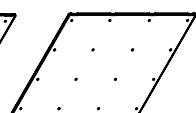
301180
x2



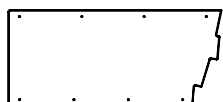
301161
x1



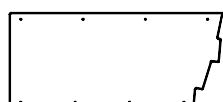
301250
x1



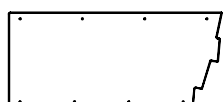
301153
x1



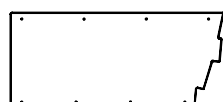
301174
x1



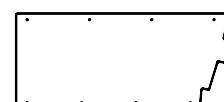
301265
x1



301144
x2



301173
x1

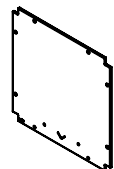


301176
x1



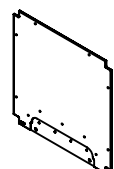
301246
x1

S1



171122
x3

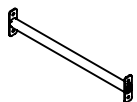
S6



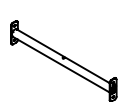
171234
x3



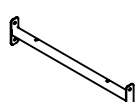
171233
x3



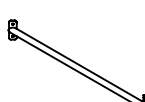
142117
x54



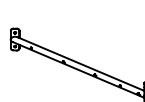
142116
x2



142137
x2



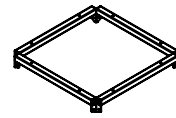
142139
x2



142103
x4



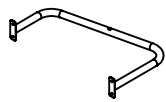
172116
x1



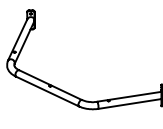
172100
x48



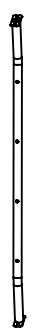
172101
x27



142131
x1



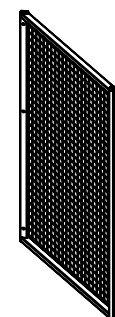
172115
x2



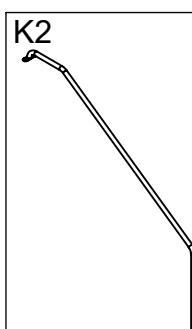
142138
x4



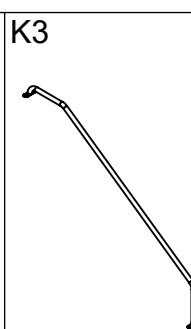
172123
x4



172127
x8



992106
x2



992140
x2

K2



992126
x1

K3



992126
x1

K2



992311
x2

K3



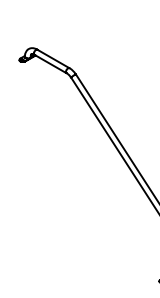
992355
x2

K2

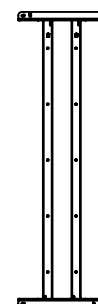


992109
x2

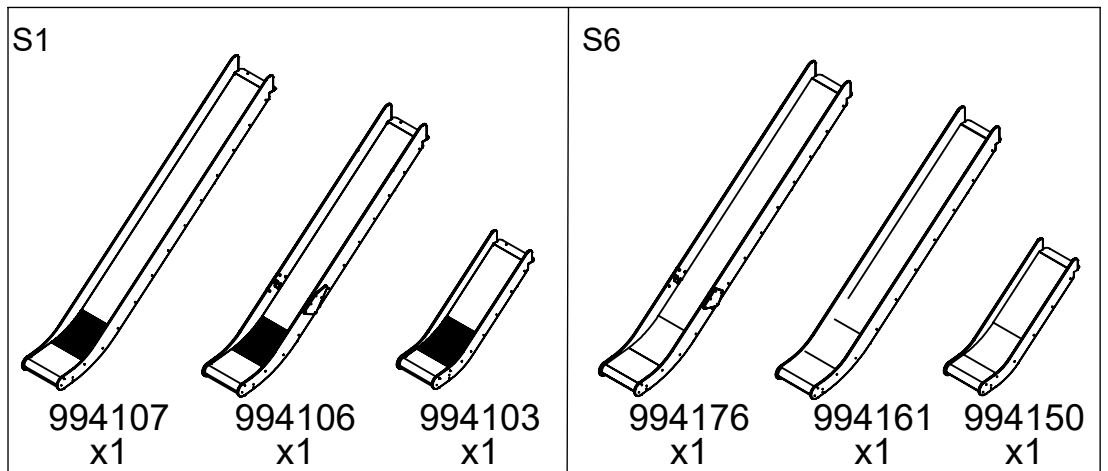
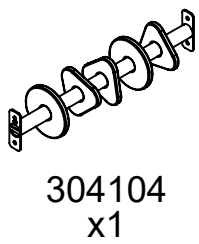
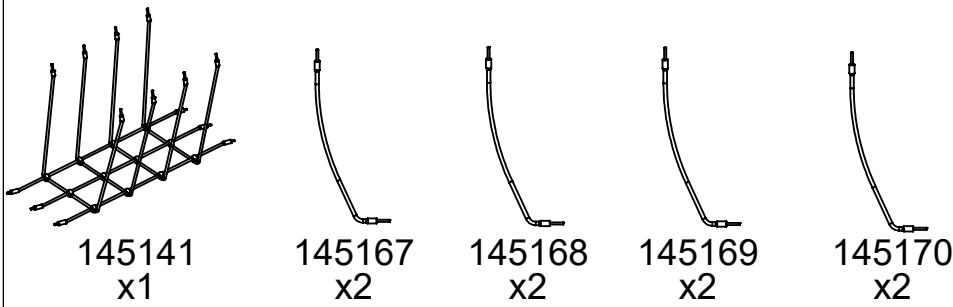
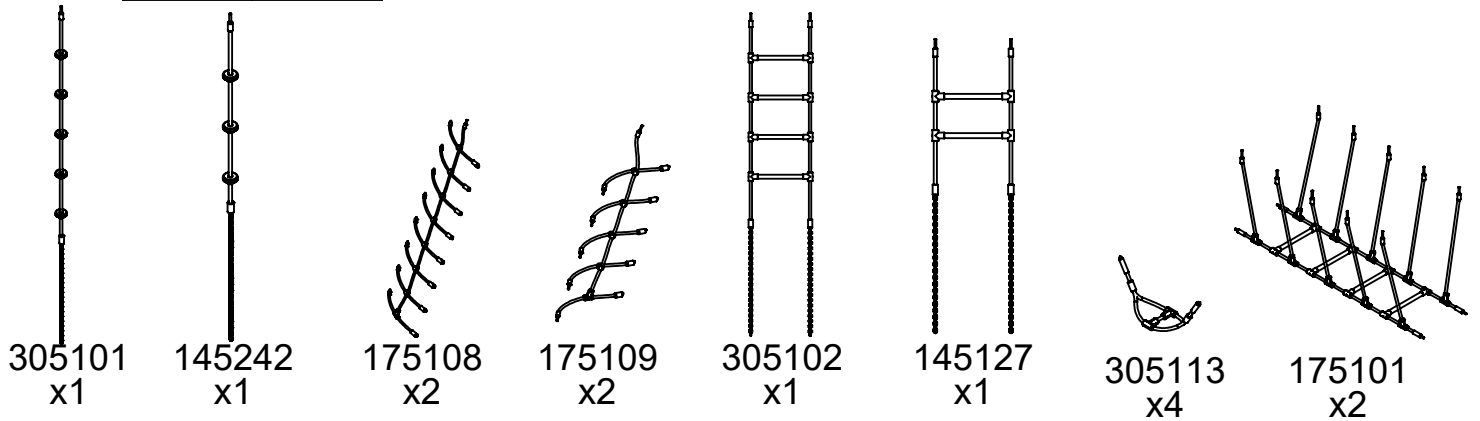
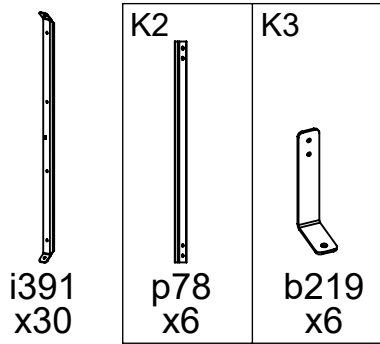
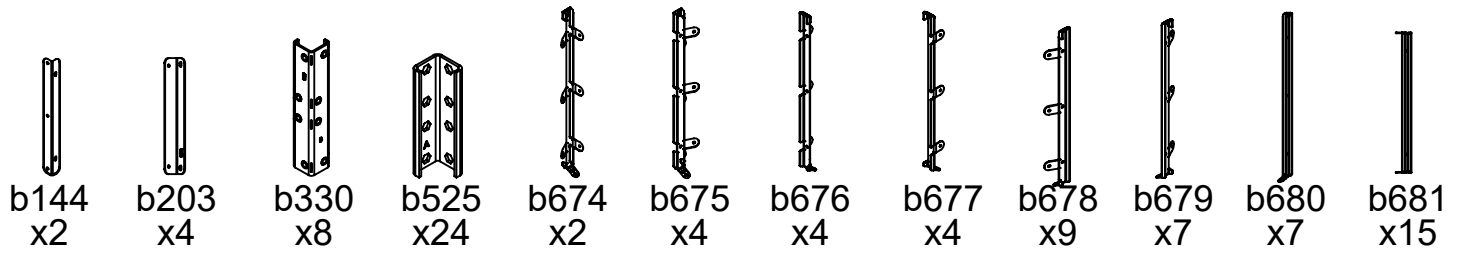
K3



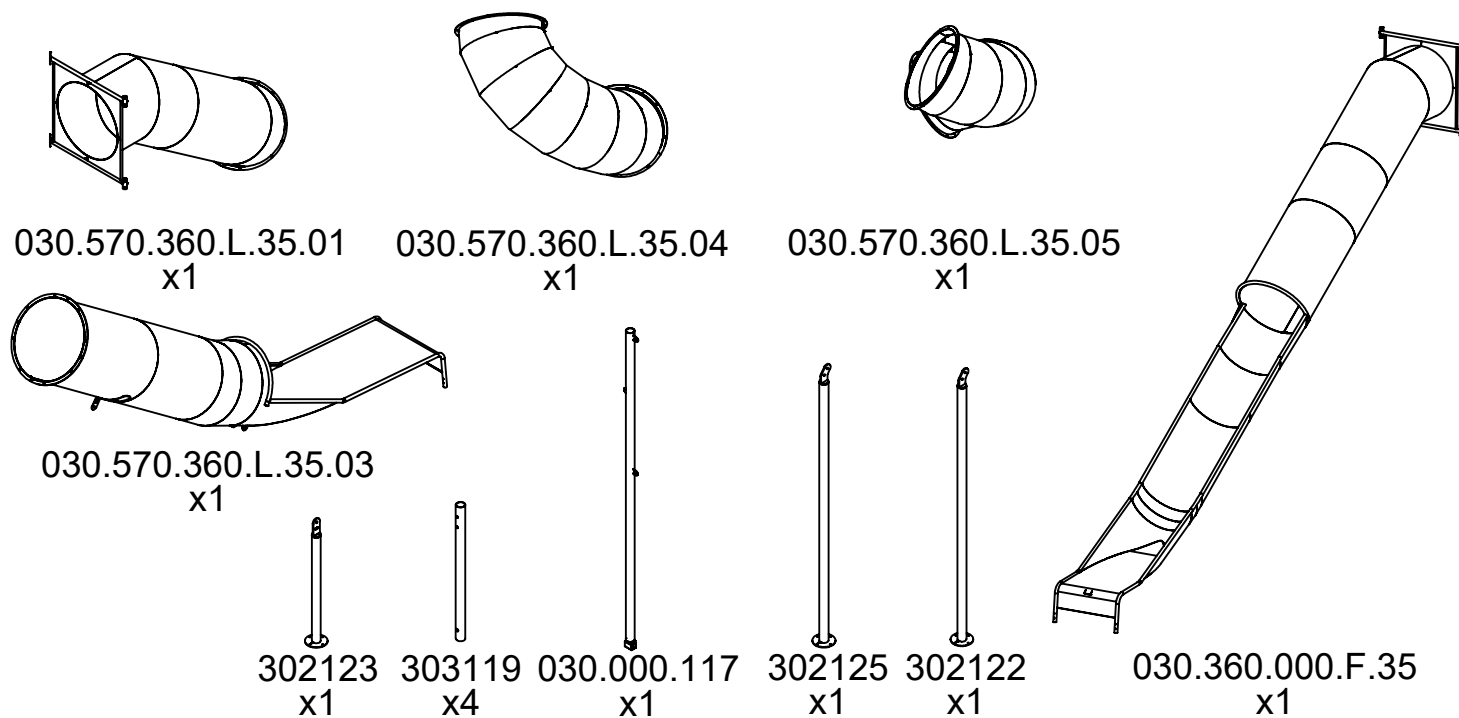
992109
x2



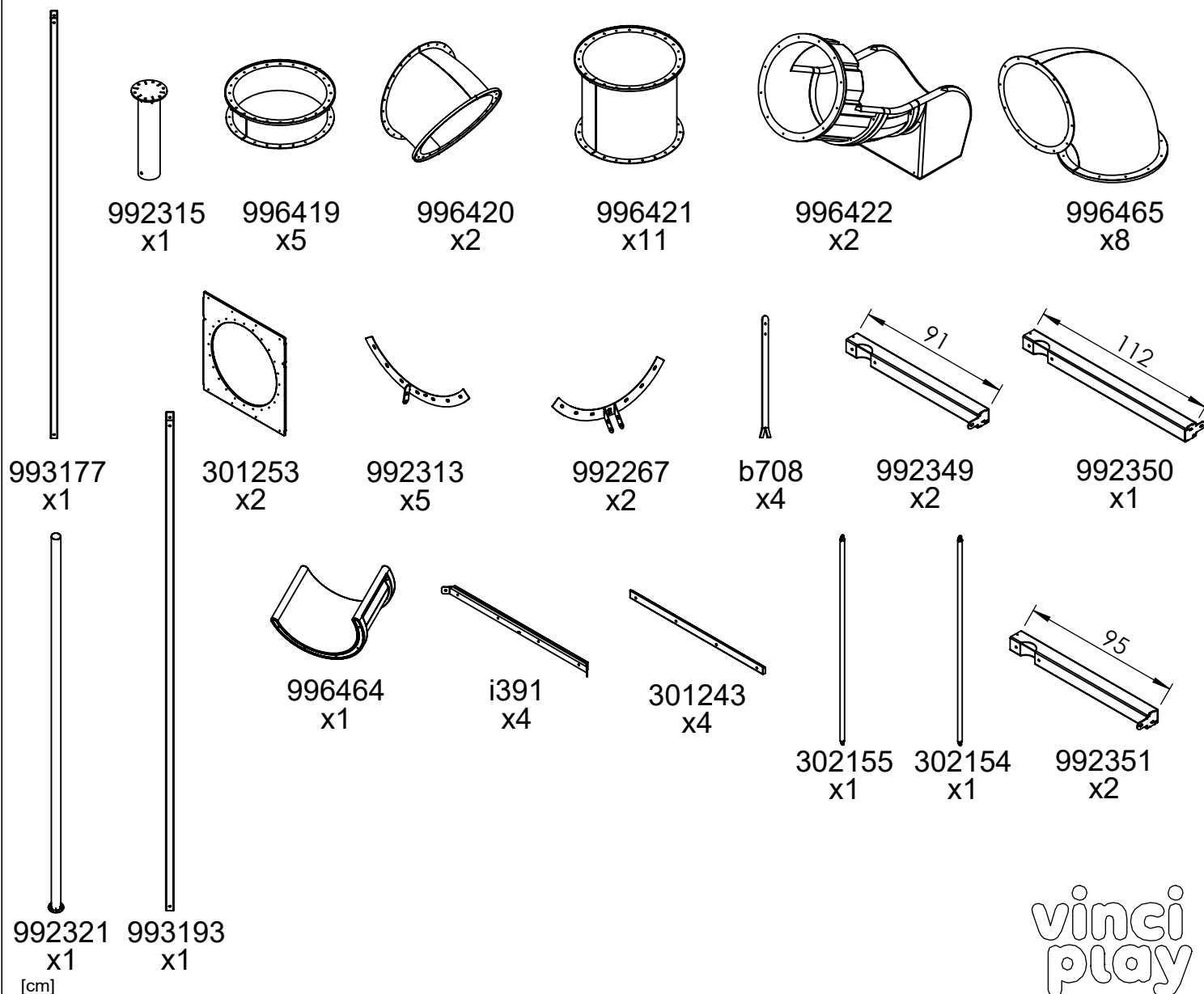
142119
x1



3045-1S3



3045-1S2

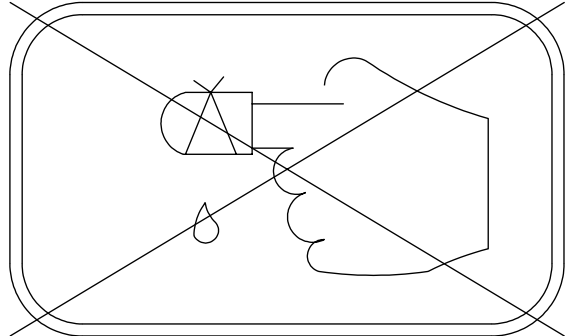
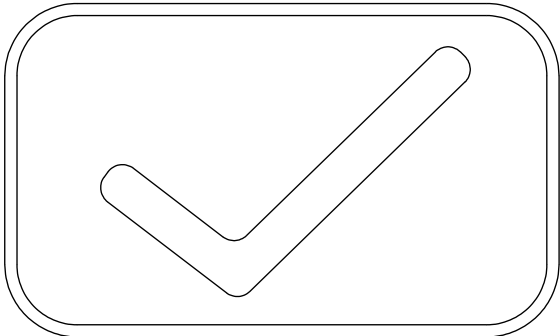
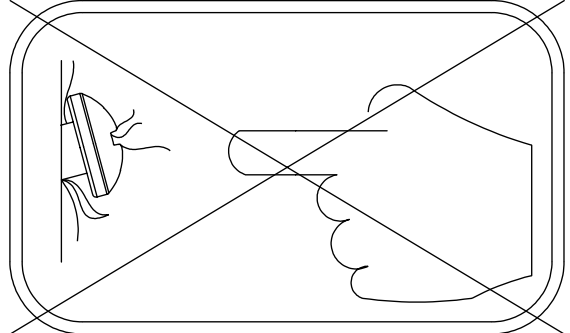
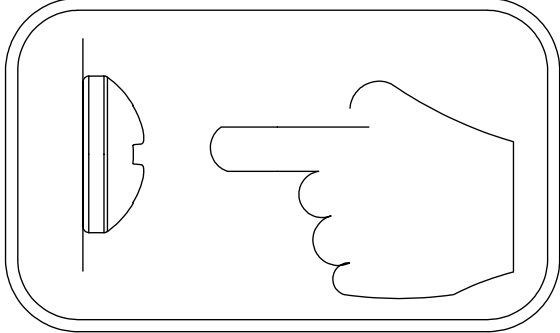
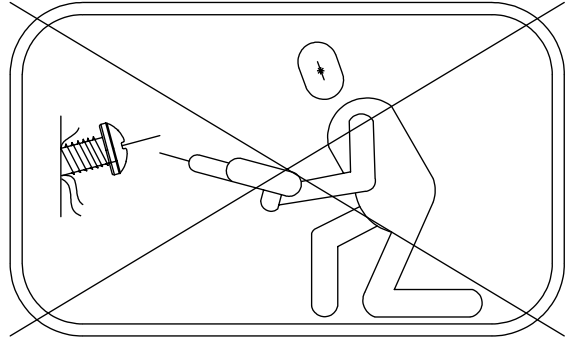
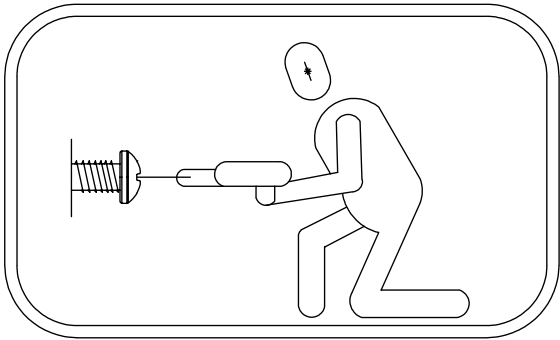


Qty.	
63x	DRUT _(K1/K23)
223x	8x25 ikl
28x	8pp
268x	8x30 ikl
1315x	10x25 ikl
963x	10 pp
12x	10x30 ikl
8x	10x40 ikl
1x	17p001
4x	17p003
31x	17p005
39x	17p007
2x	17p009
4x	17p015
3x	17p017 _(S1)
3x	17p019 _(S6)
4x	17p021
4x	17p023
3x	17p061 _(S6)
1x	30p065
21x	17c004
1x	17c018
5x	17c026
3x	17c032
1x	17c048
3x	30c002
2x	30c006
4x	30c012
8x	30c056
3x	30c058
8x	30c060
15x	30c068
15x	30c070
6x	30c106
7x	30c108
7x	30c110
8x	30c112
17x	30c114
1x	30c120
15x	30c124
6x	30c148
6x	30c152
3x	30c154
1	V001
1x	GL
1x	SGL

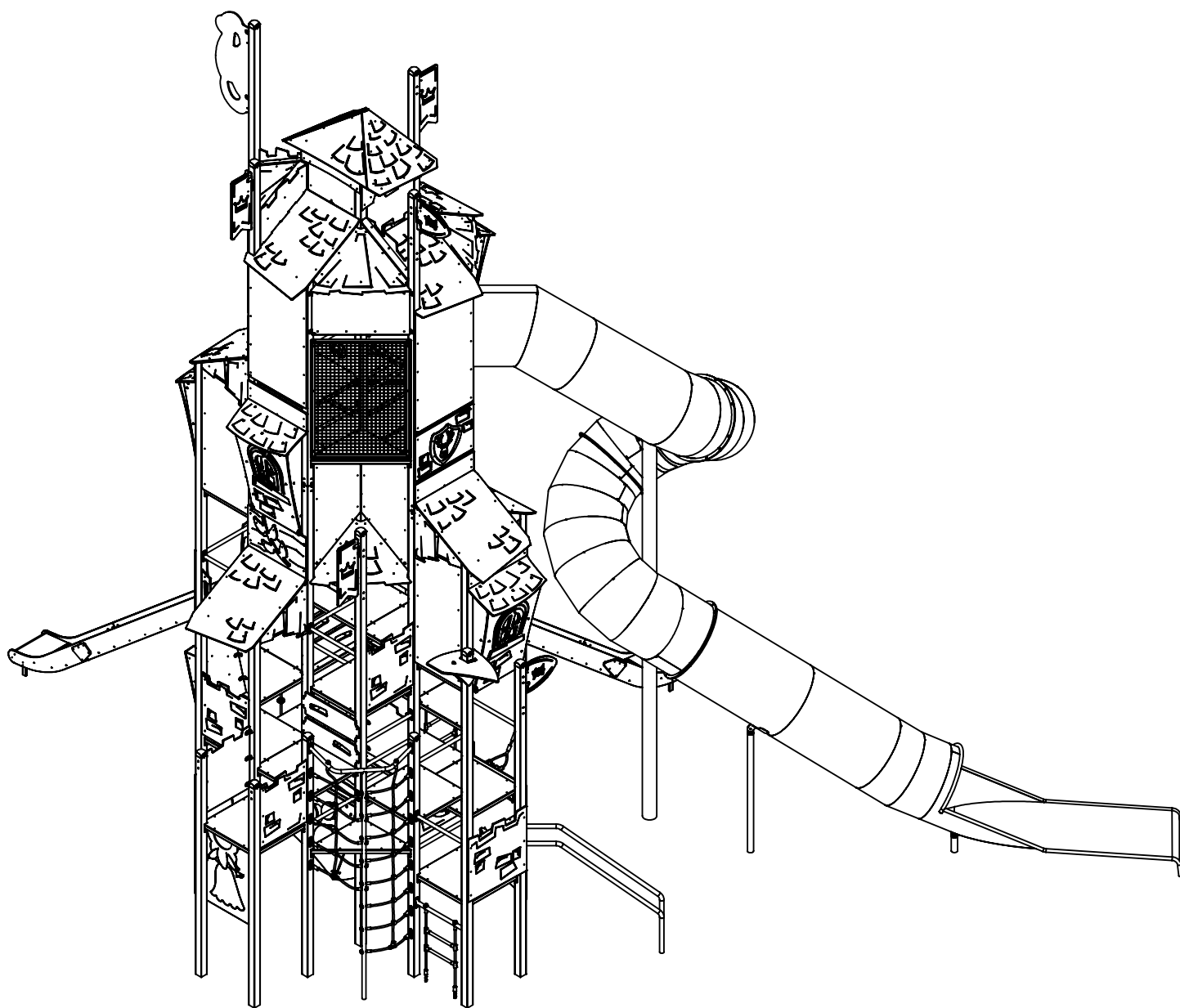
2x	30e016
2x	30e019
8x	30e032
1x	30e054
12x	30e056
14x	30e057
7x	30e058
6x	30e067
6x	30e068
1x	30e071
6x	30e072
2x	30e075
6x	30e080
2x	30e083
2x	30e084
2x	17e024
1x	17e031
1x	17e036
4x	17e050
12x	17e111
4x	12e035
1x	30c062
7x	C116
3x	E34 _(K1/K23)
3x	E35 _(K2)
8x	E15
3x	E38 _(K2)
3x	E39
2x	E44 _(K1/K23)
2x	E80 _(K2)
1x	WD14-1
1x	WD14-2
1x	WD14-3
4x	WD14-4
6x	WD52
4x	WD67
4x	WD68

3045-1S3	
4x	DRUT _(K1/K23)
16x	10x25 ikl
8x	10pp
2x	17e007
6x	30e002
3x	30e003
2x	30e010 _(K1/K23)

3045-1S2	
2x	8x16 ikl
2x	10x20 ikl
13x	10x25 ikl
11x	10nk
10x	10pp
5x	E250
2x	30e005
1x	30e041
17x	30e090
2x	30e091
2x	30e102
6x	30e093
1x	30e094
7x	30e095
2x	30c156
2x	30c162

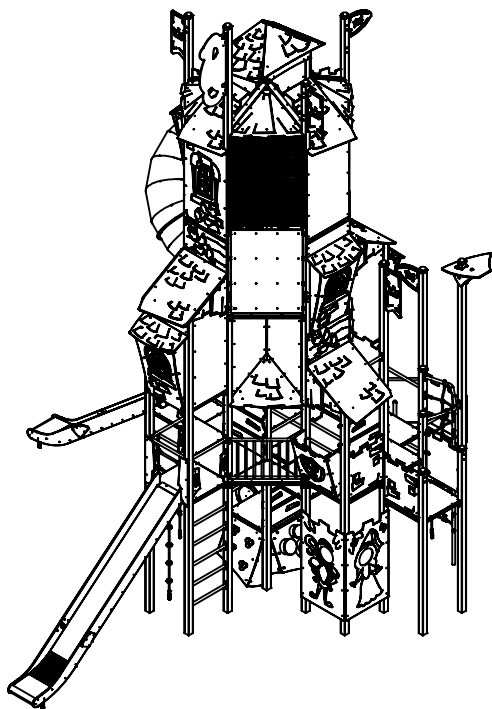
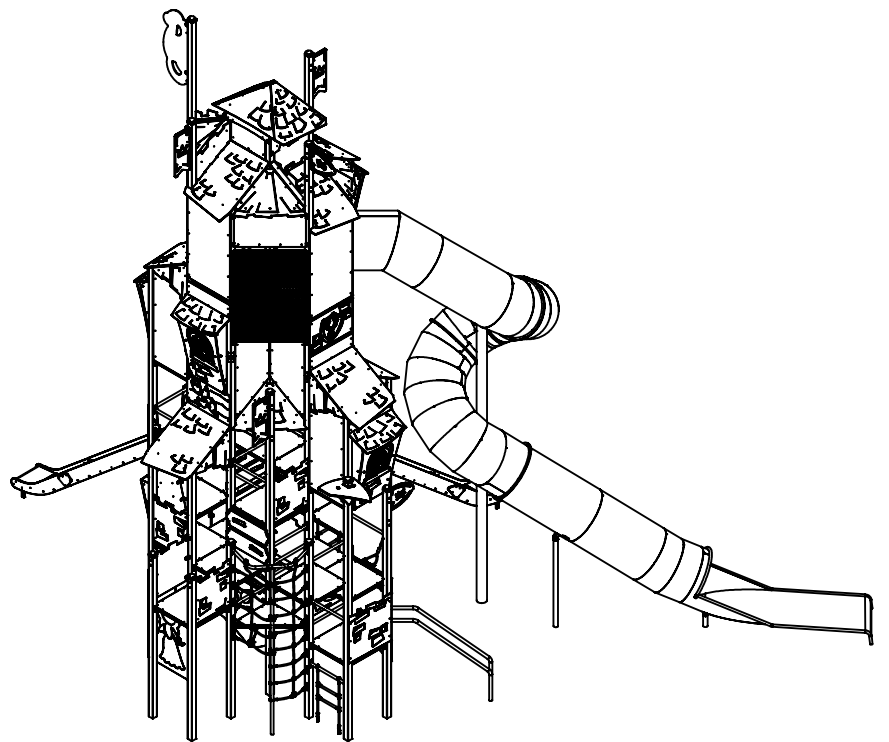
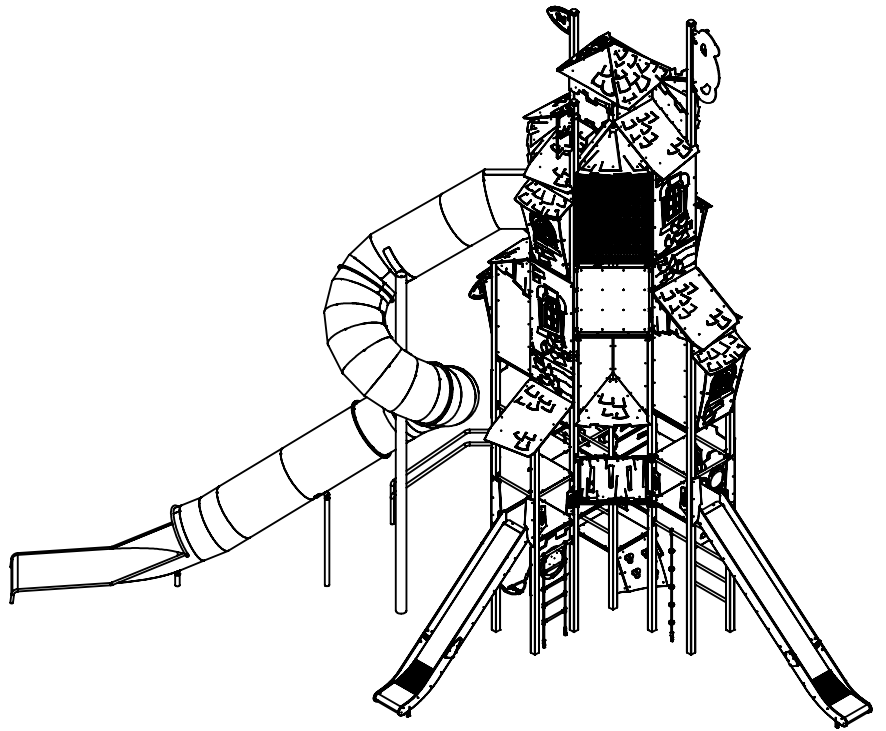
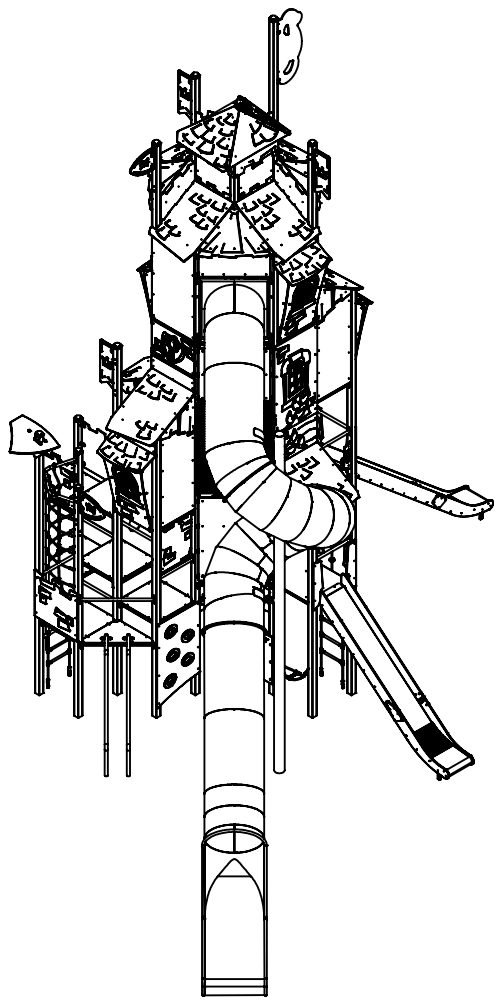


3045-1.01



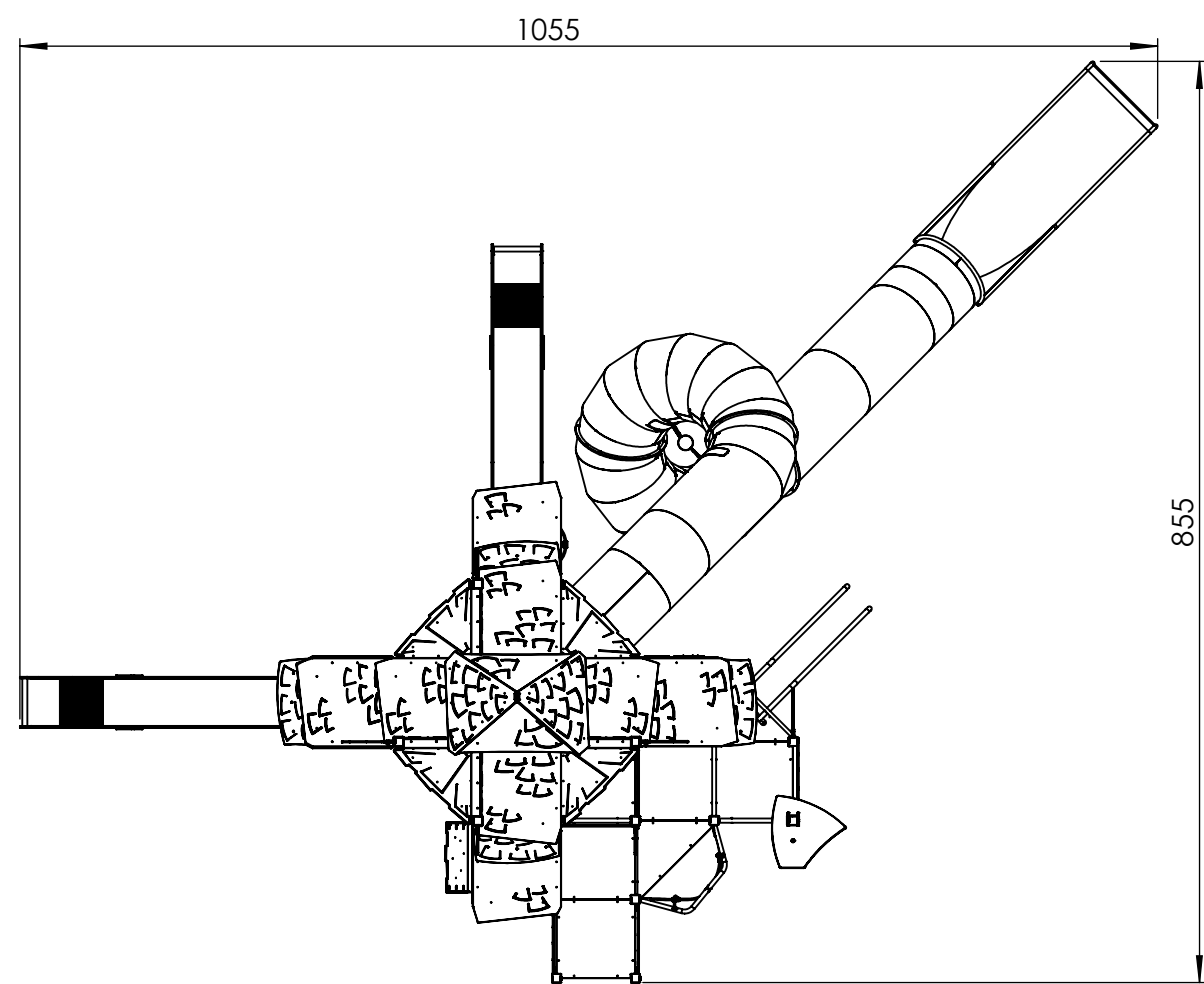
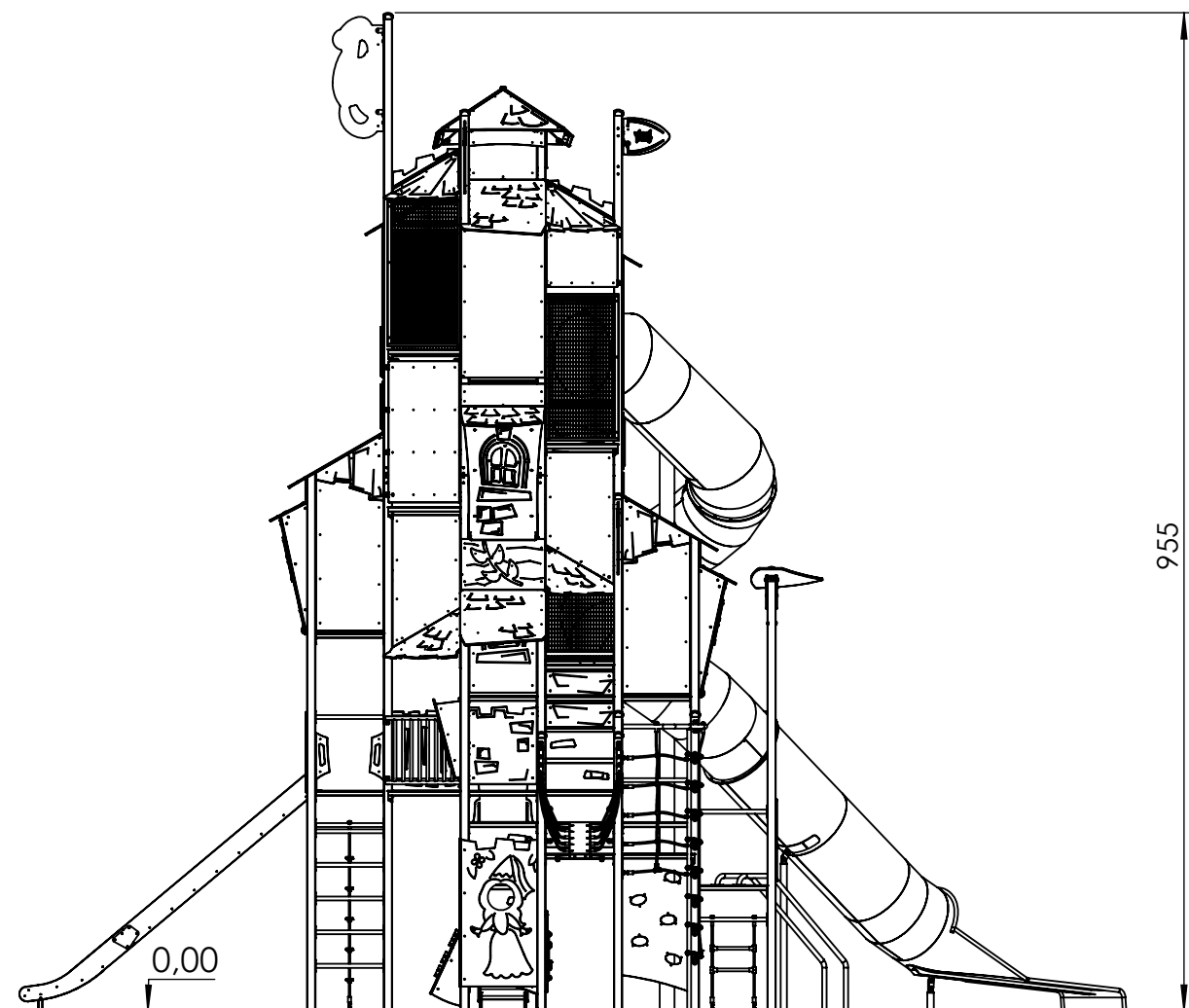
[cm]

vinci
play



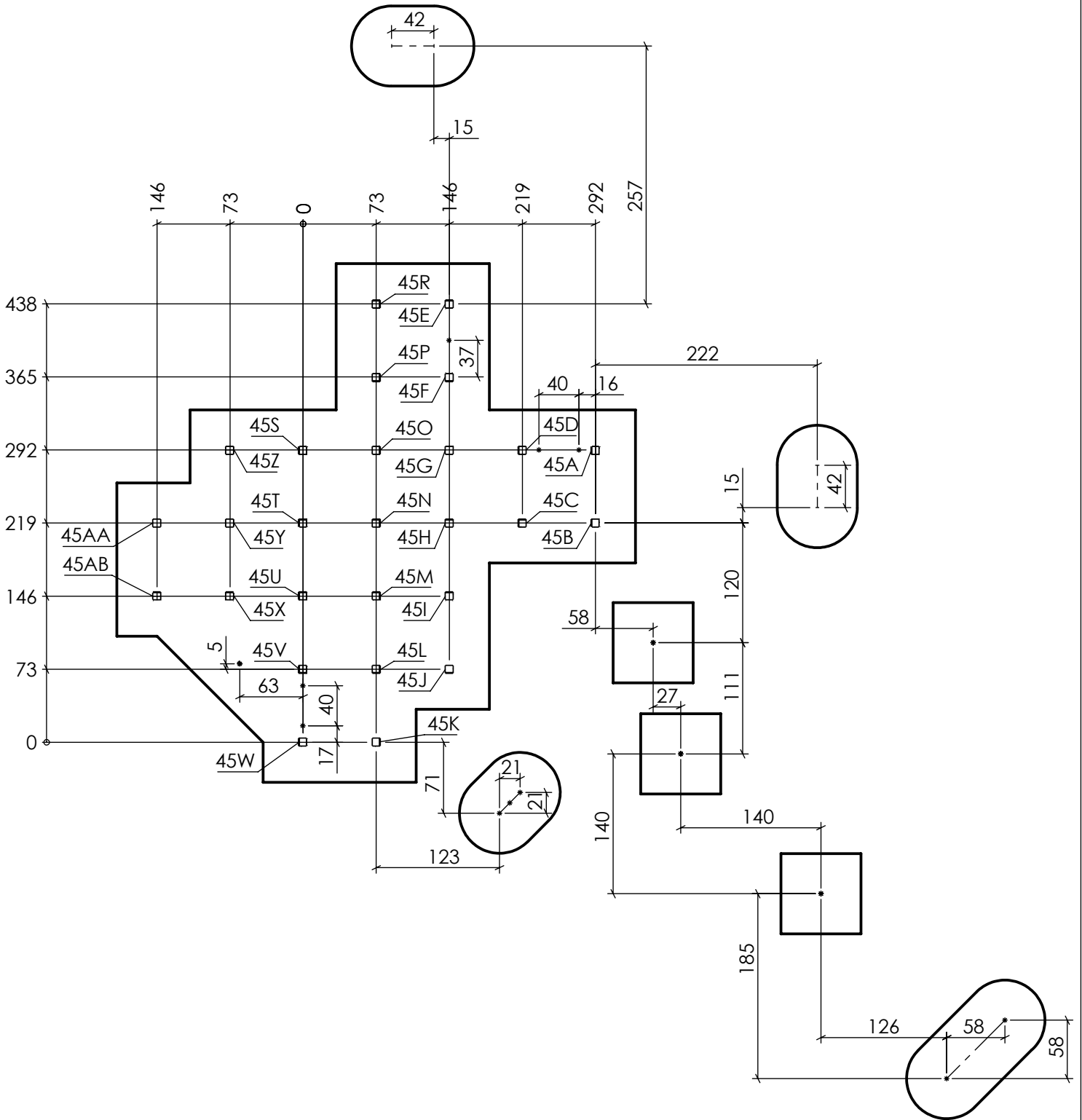
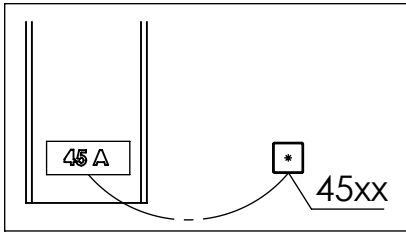
[cm]

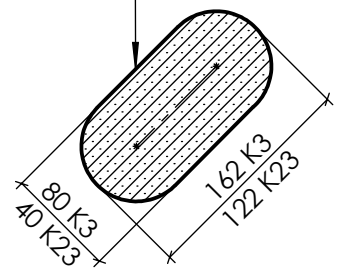
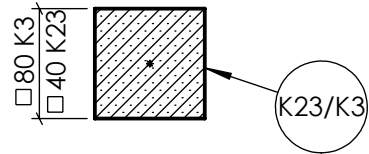
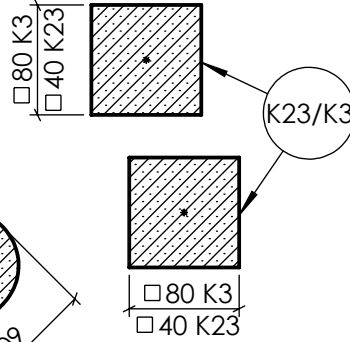
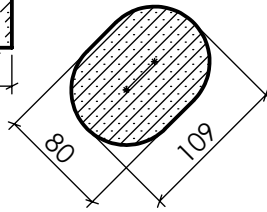
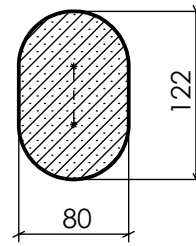
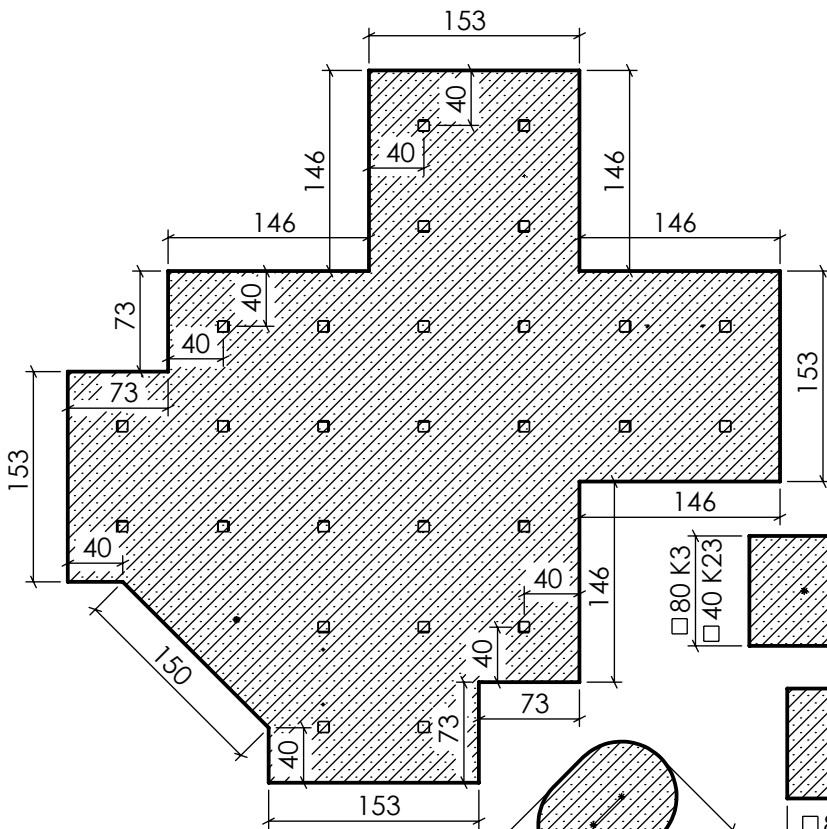
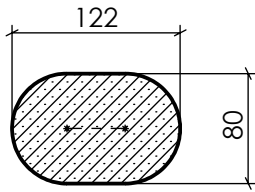
vinci
play



[cm]

vinci
play

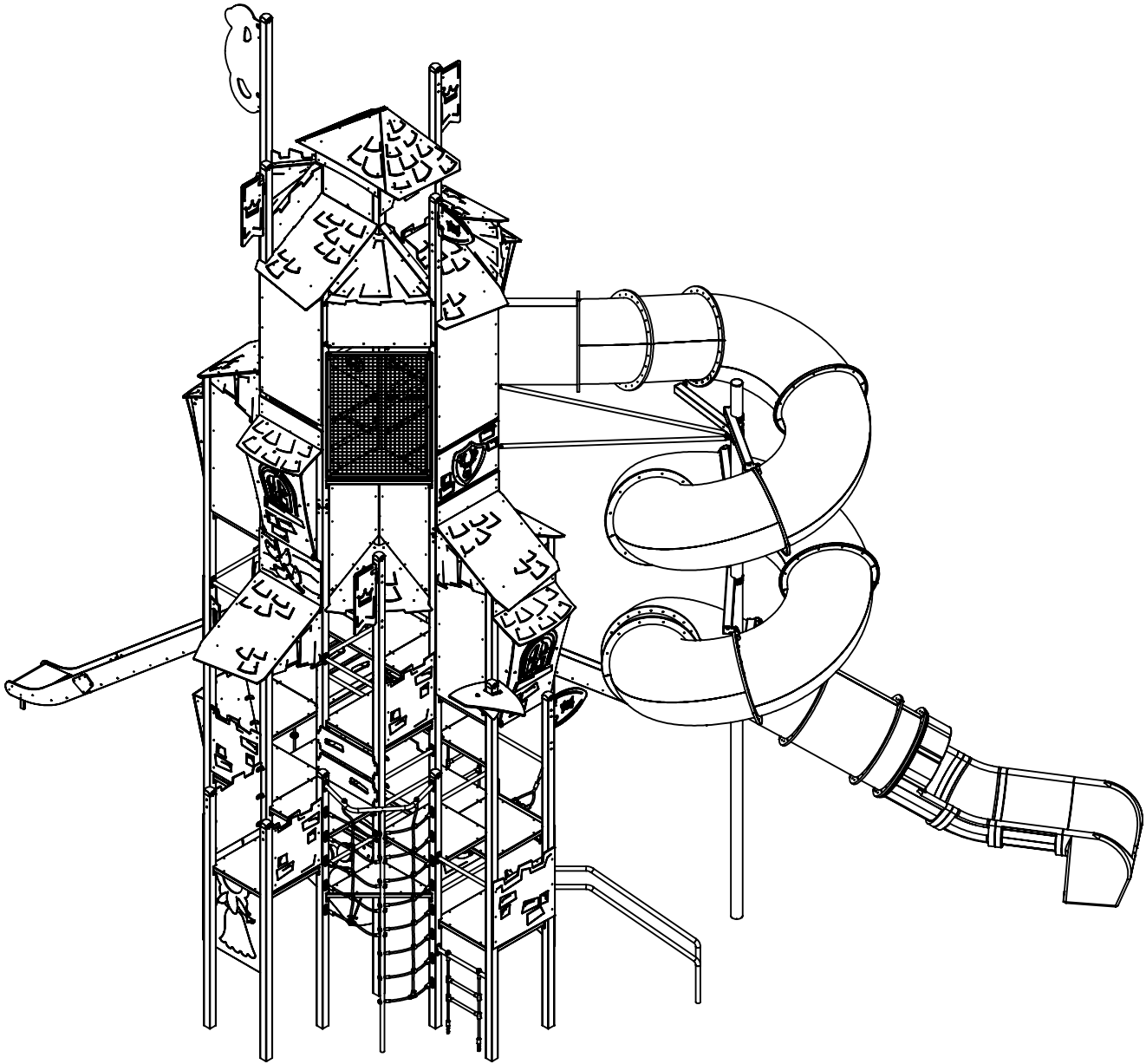




[cm]

vinci
play

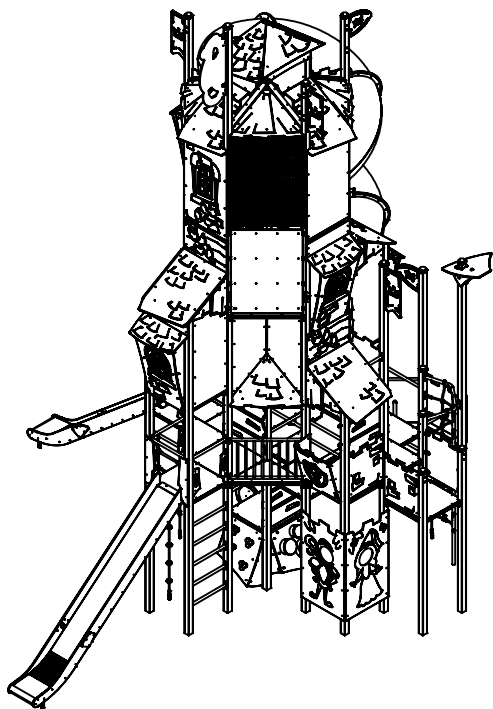
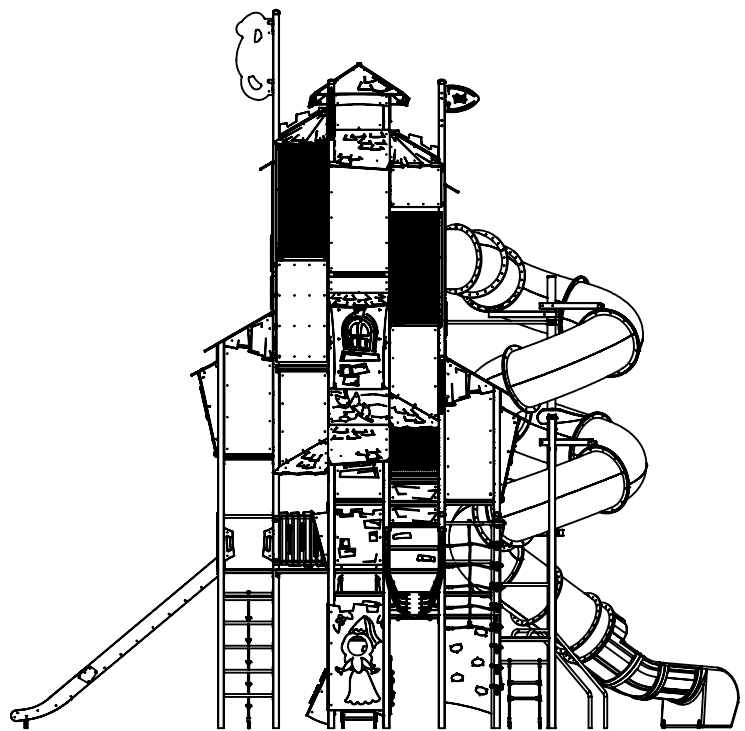
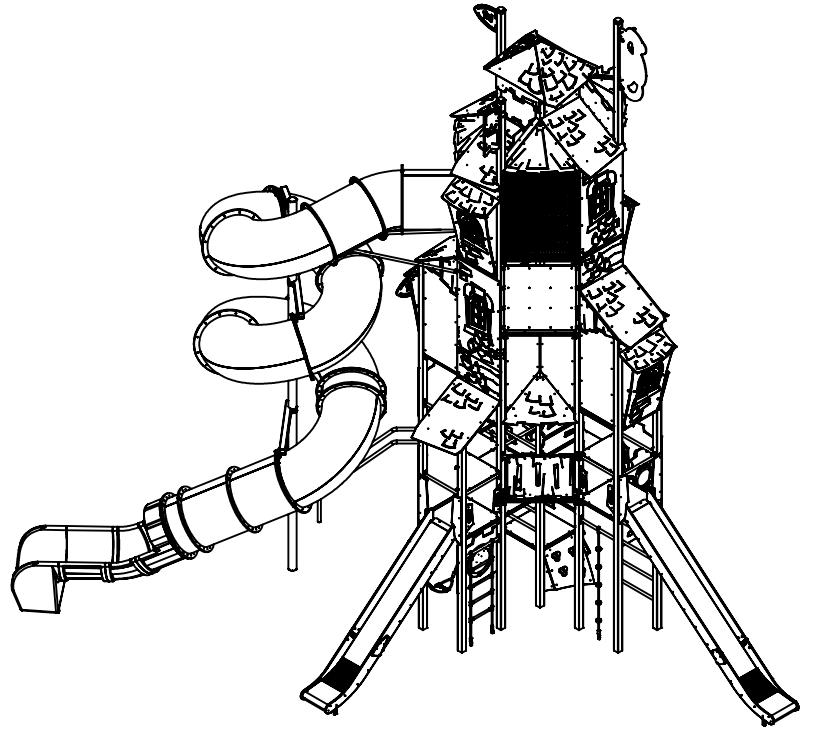
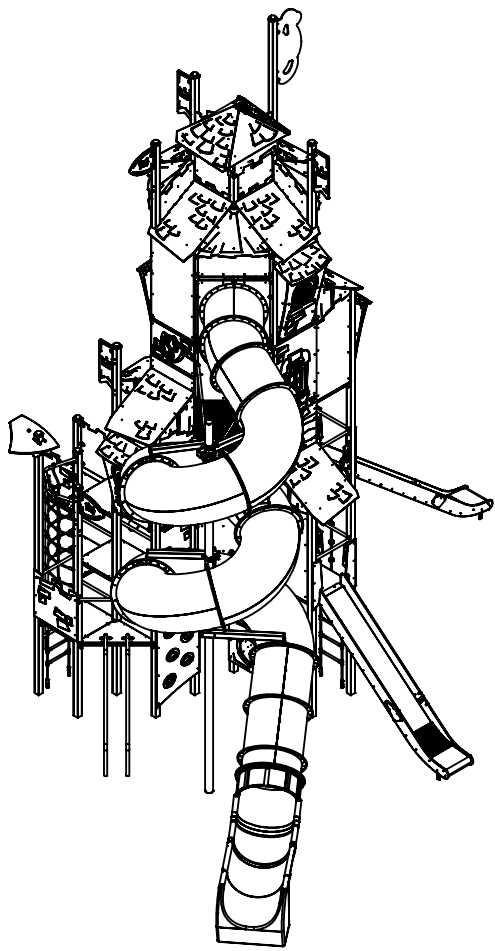
3045-1.01S2



[cm]

vinci
play

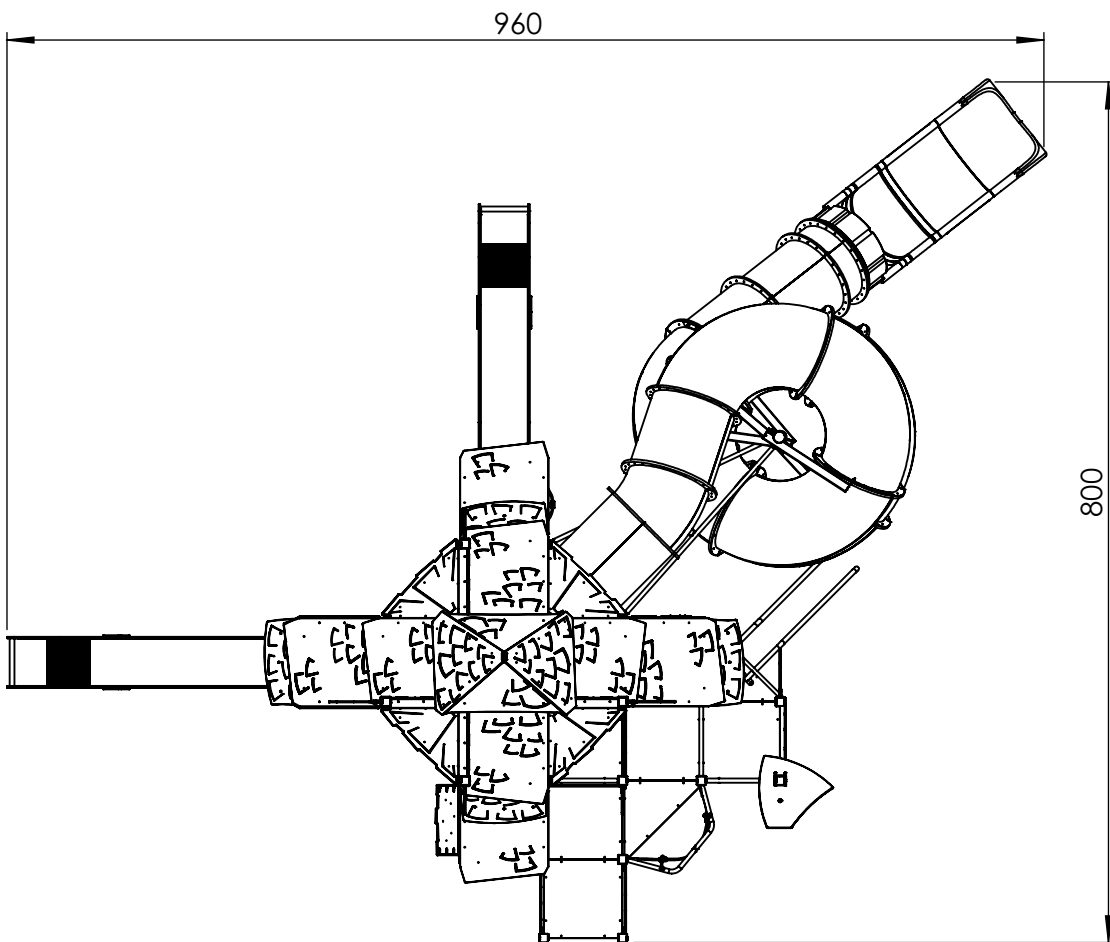
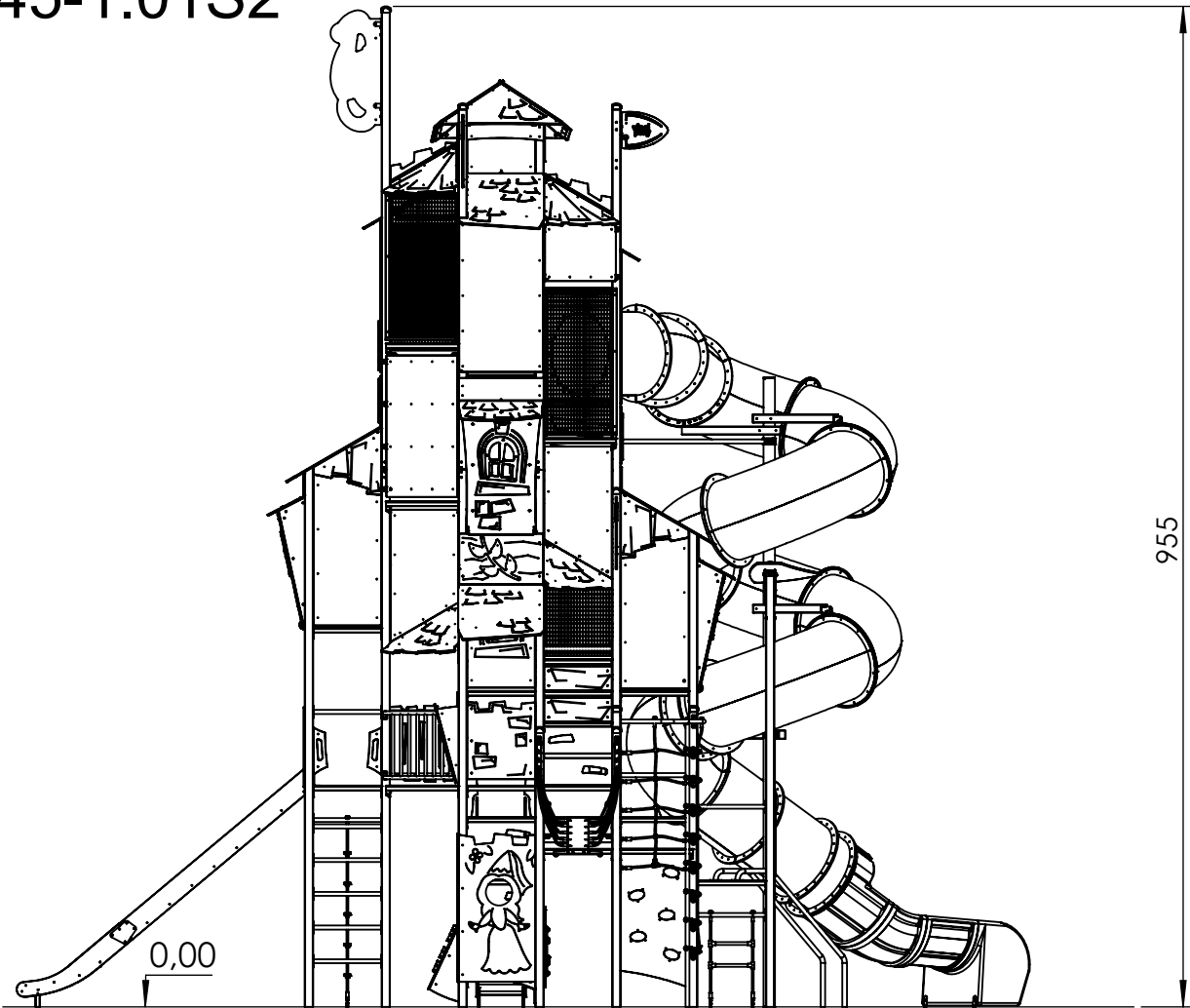
3045-1.01S2



[cm]

vinci
play

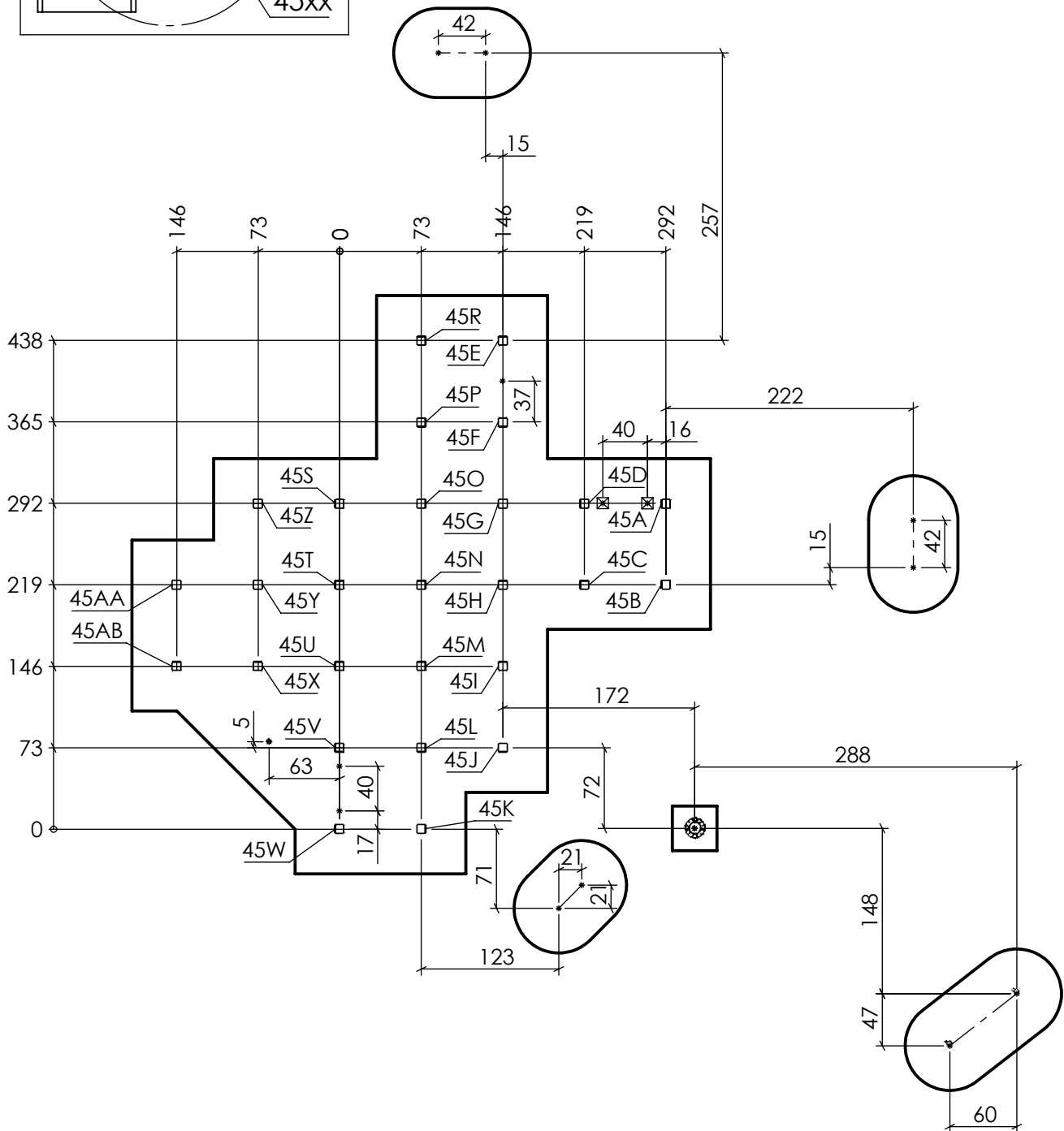
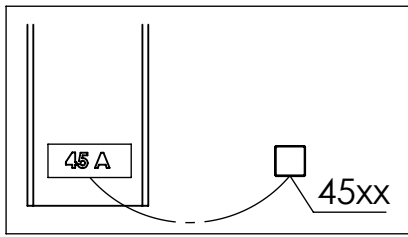
3045-1.01S2



[cm]

vinci
play

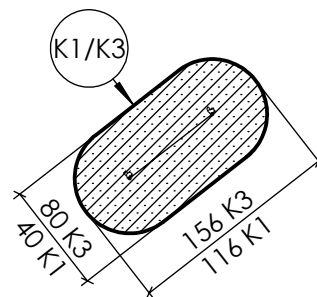
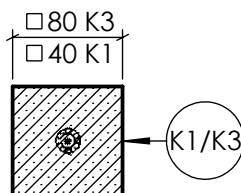
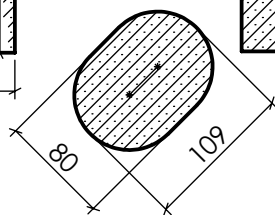
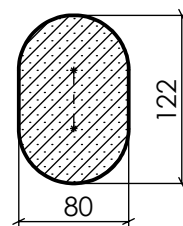
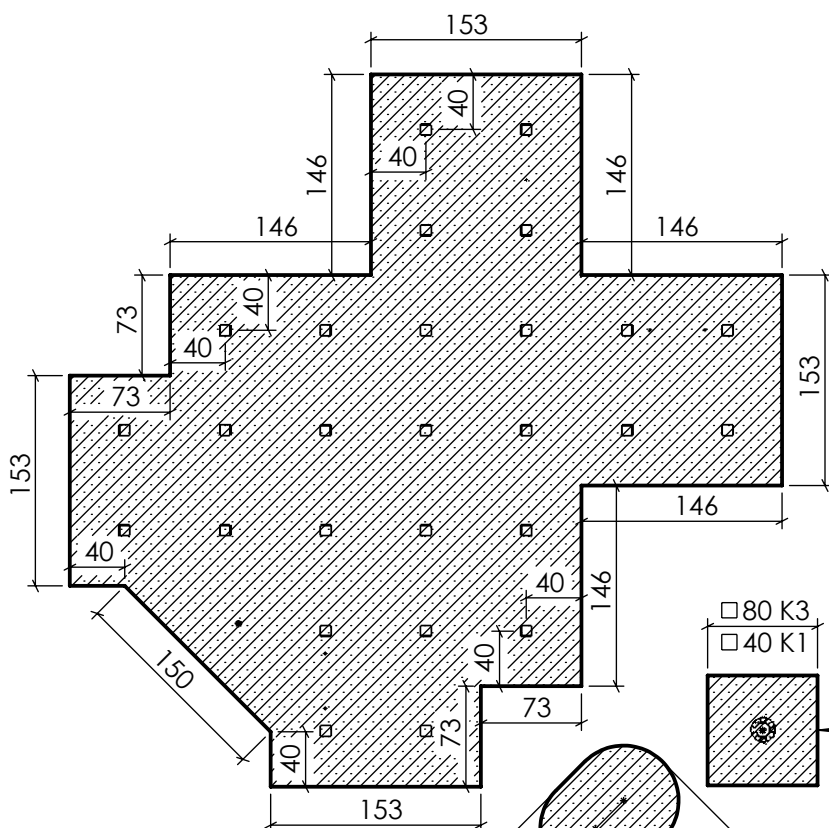
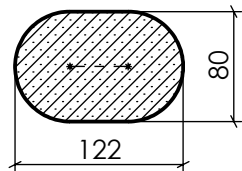
3045-1.01S2

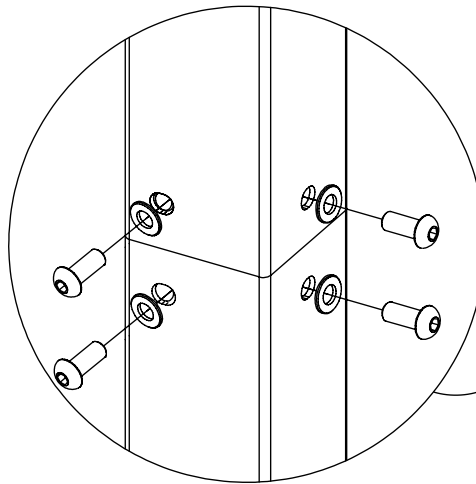
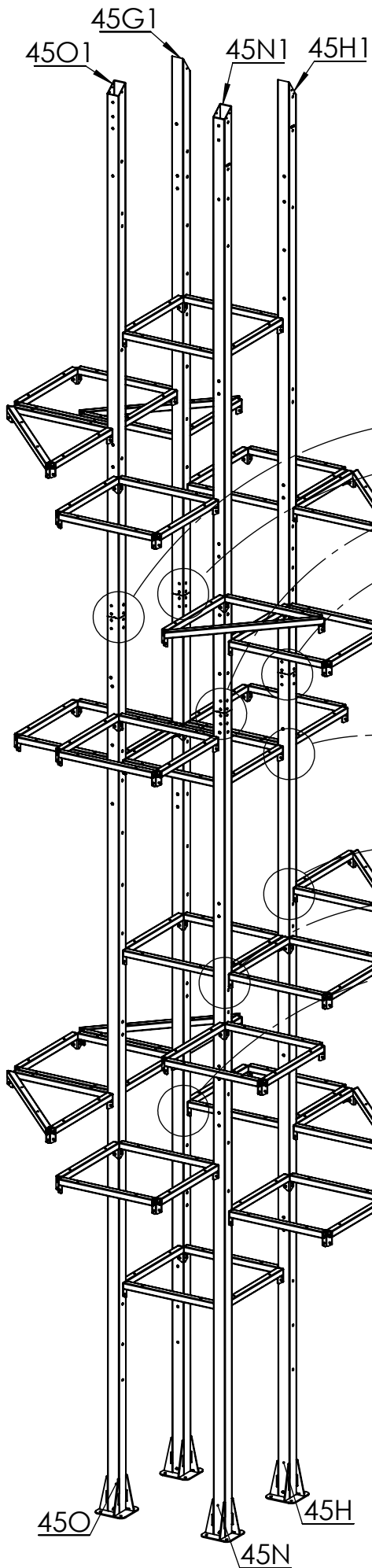


[cm]

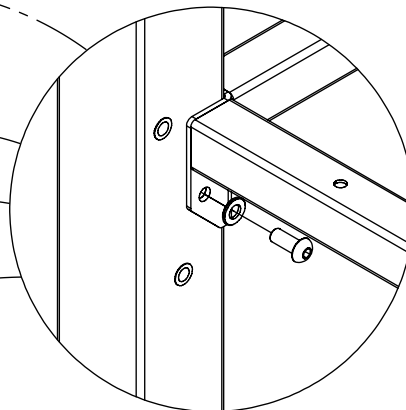
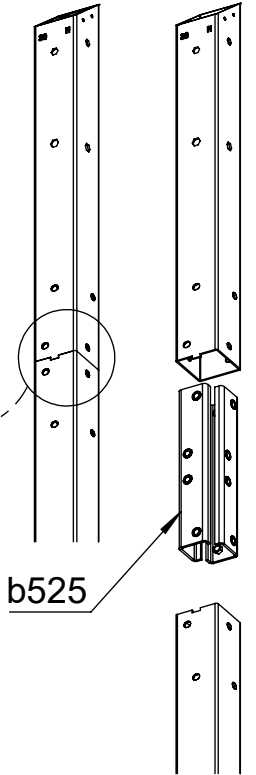
vinci
play

3045-1.01S2





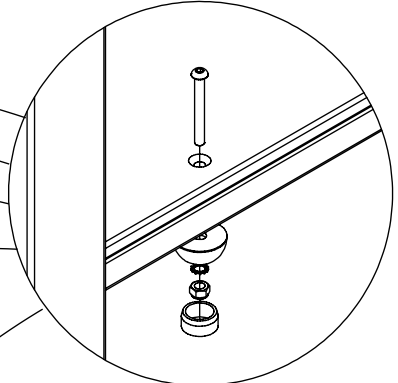
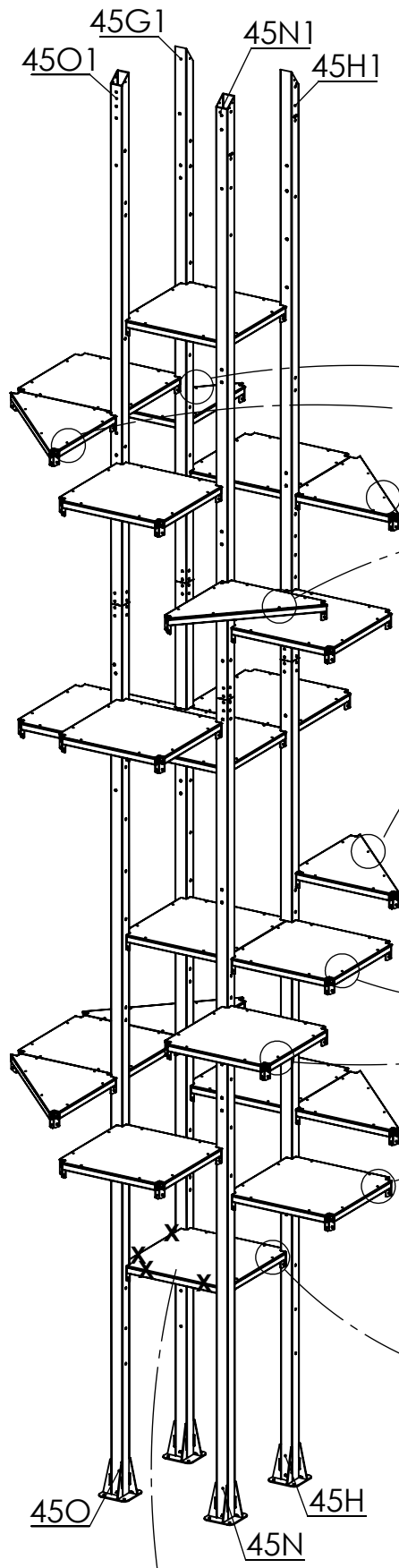
64x 10x25ikl
64x 10pp



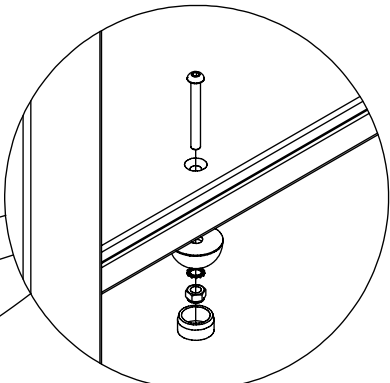
98x 10x25ikl
98x 10pp

[cm]

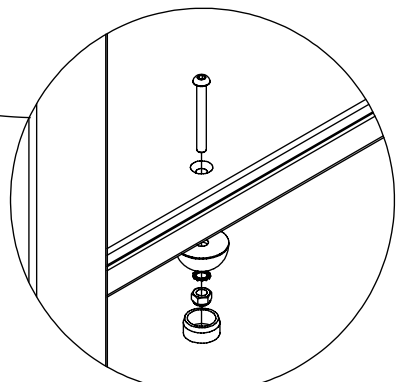
vinci
play



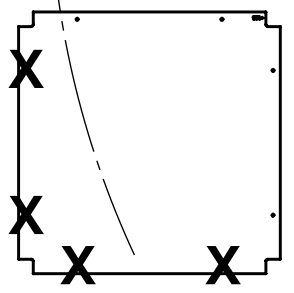
8x 17p005



16x 17p007

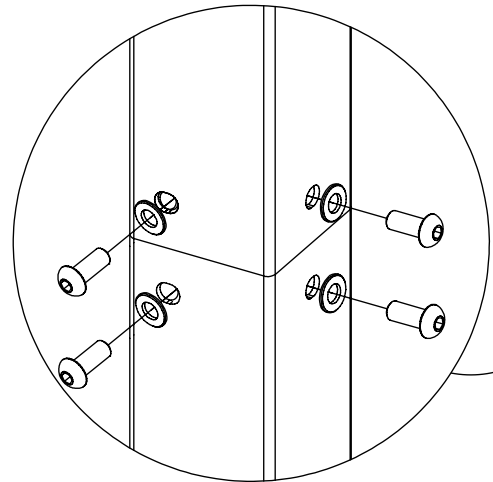
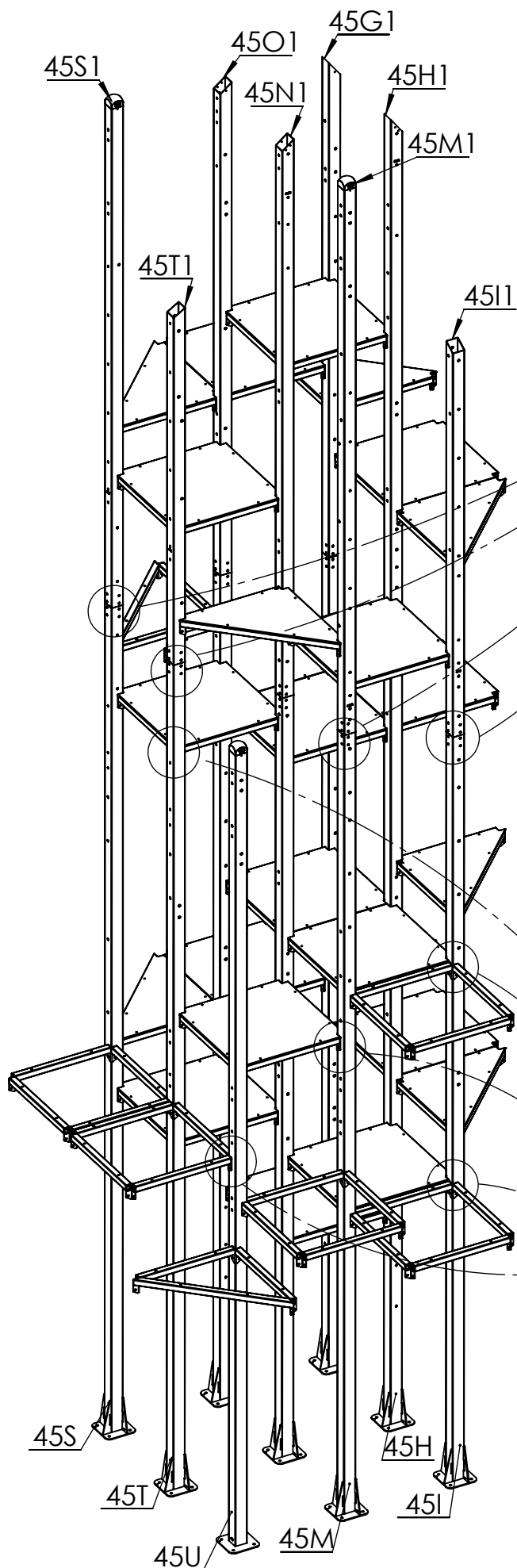


1x 17p003



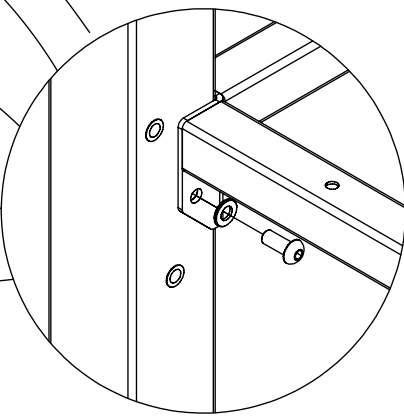
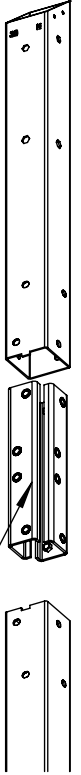
[cm]

vinci
play



56x 10x25ikl
56x 10pp

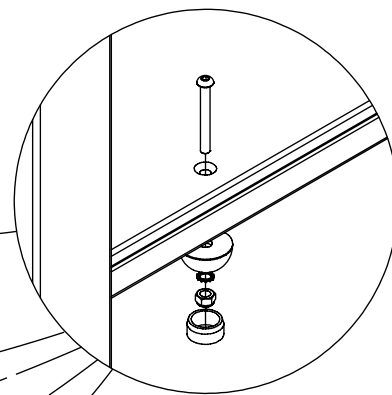
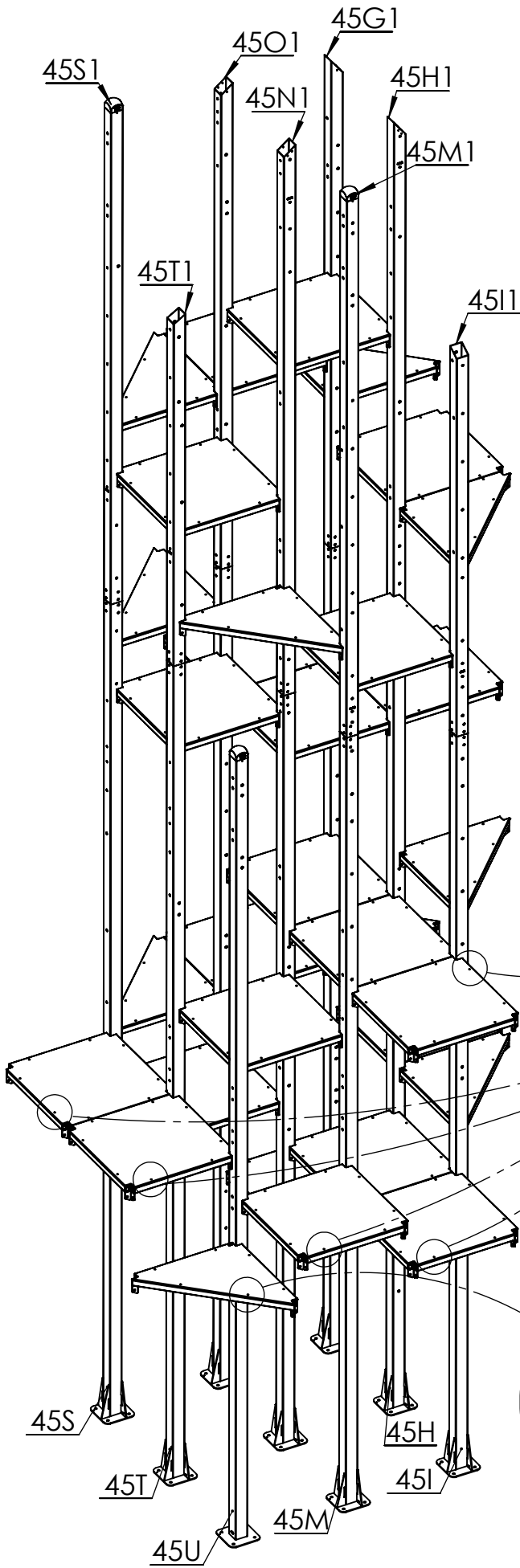
b525



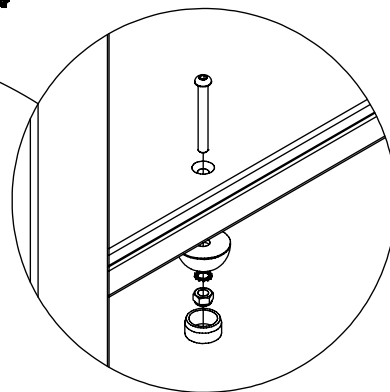
66x 10x25ikl
66x 10pp

[cm]

vinci play



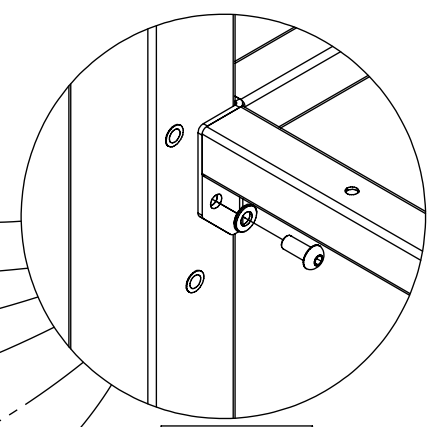
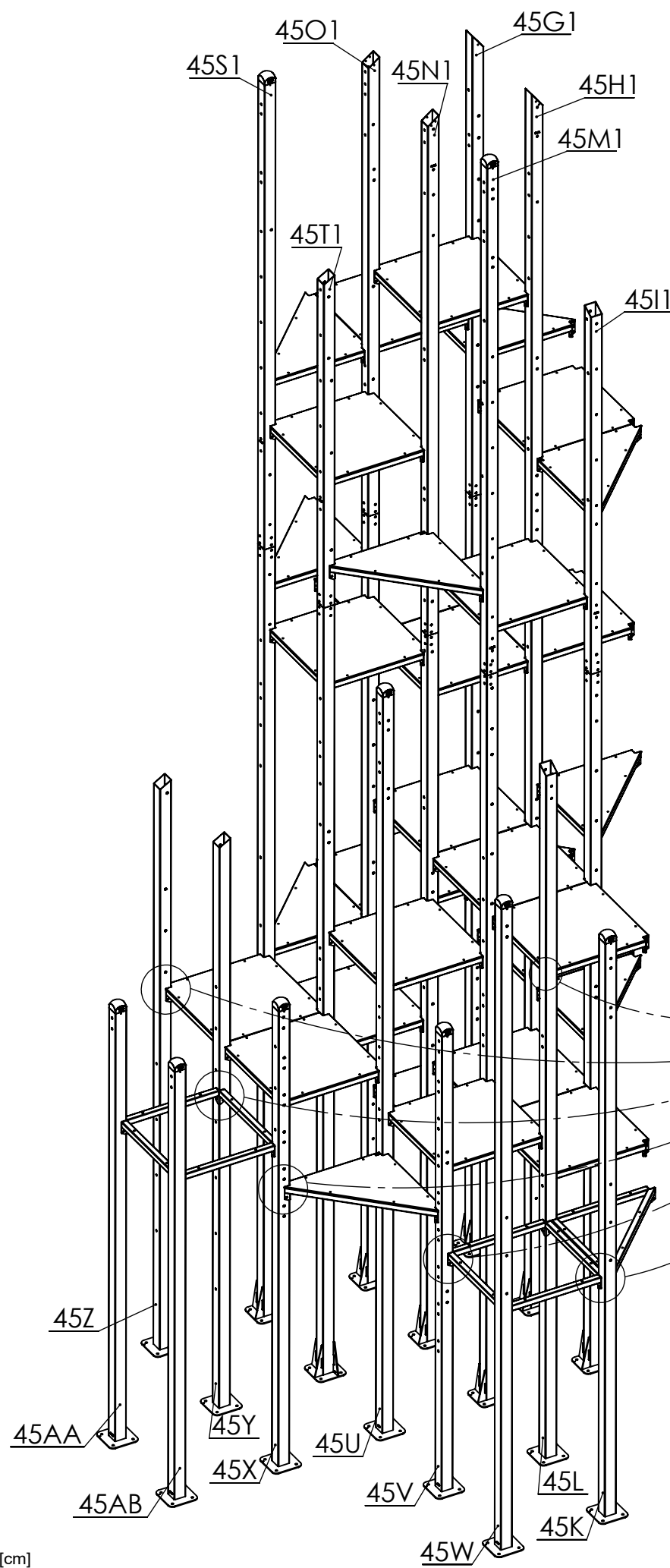
5x 17p007



2x 17p005

[cm]

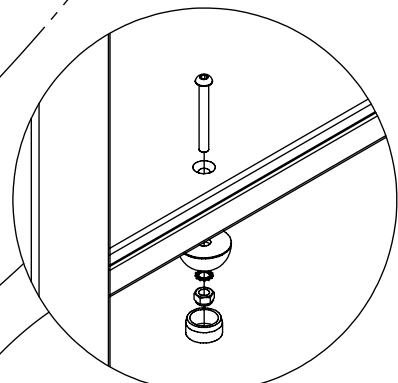
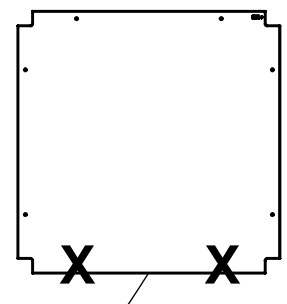
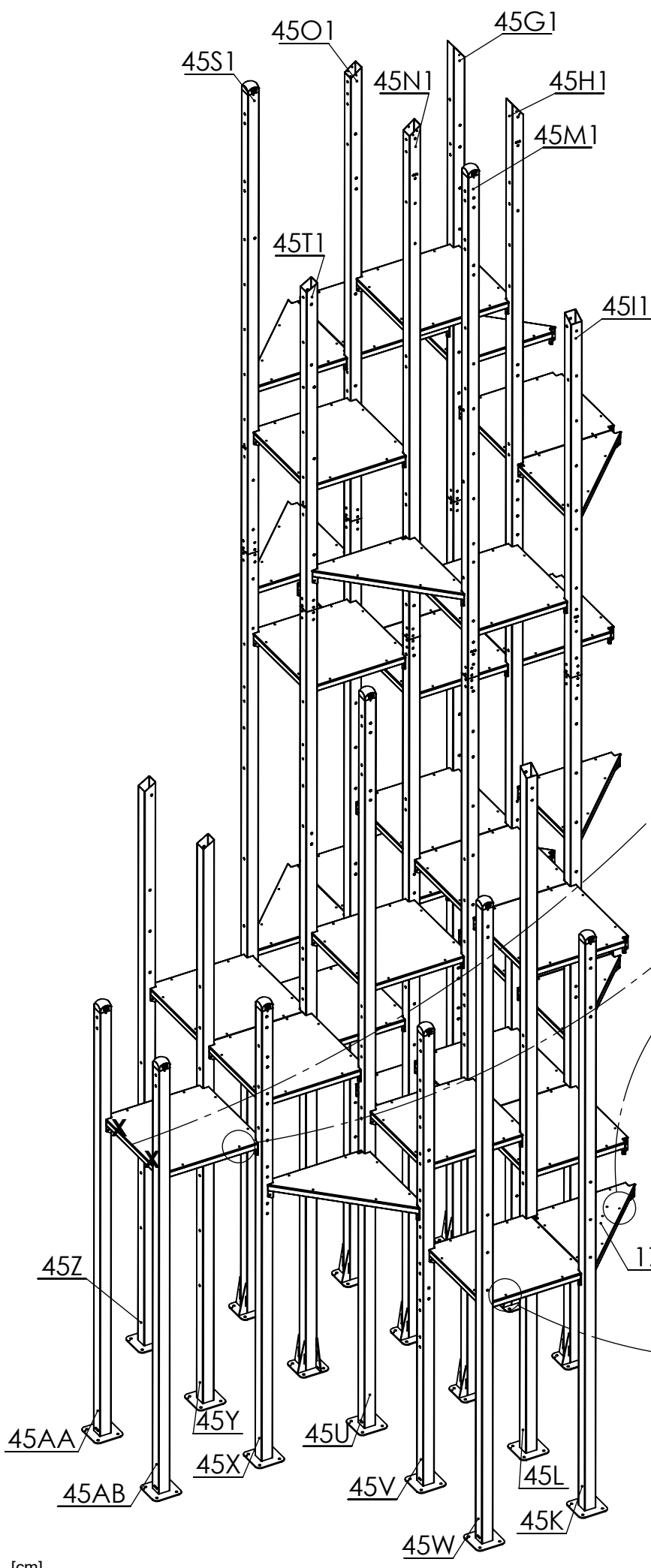
vinci
play



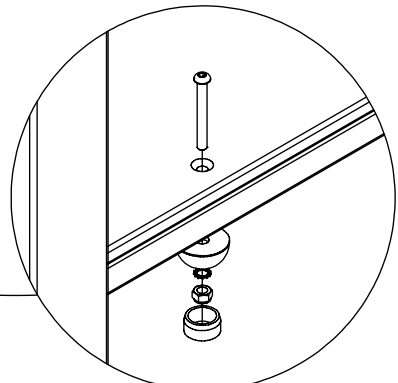
40x 10x25ikl
40x 10pp

[cm]

vinci
play



2x 17p005

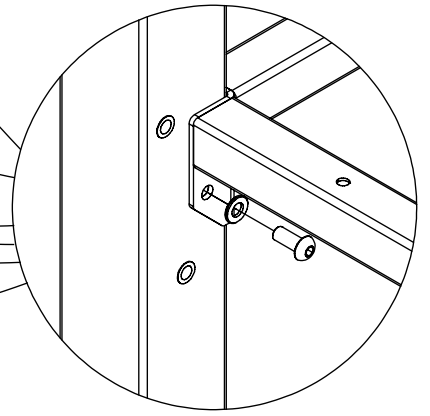
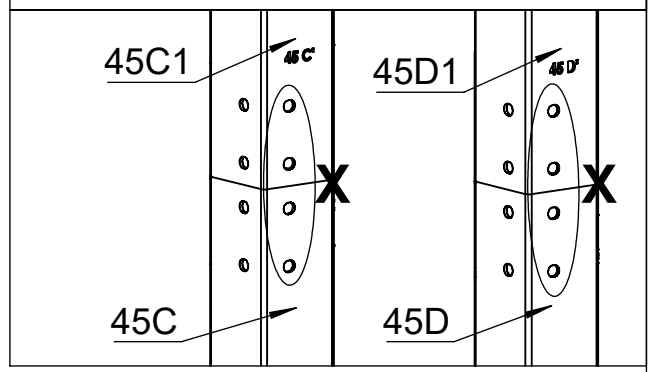
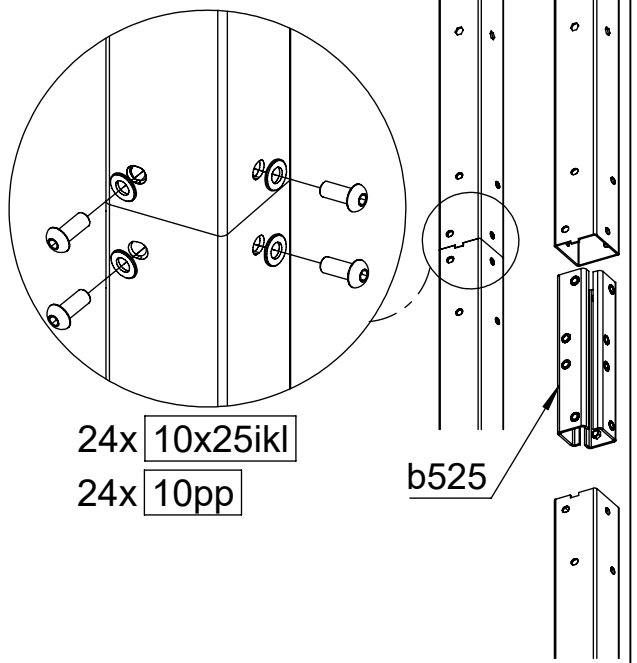
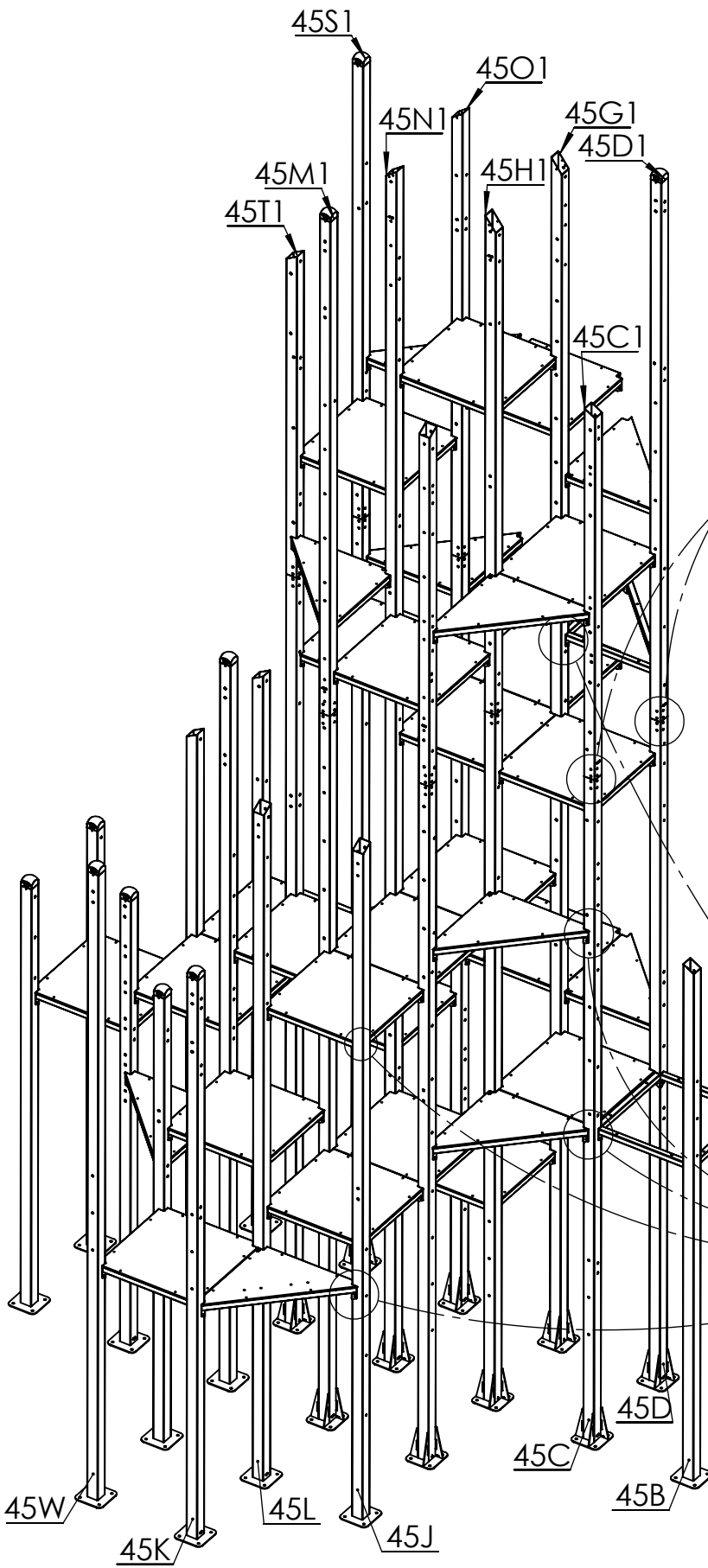


1x 17p007

171205

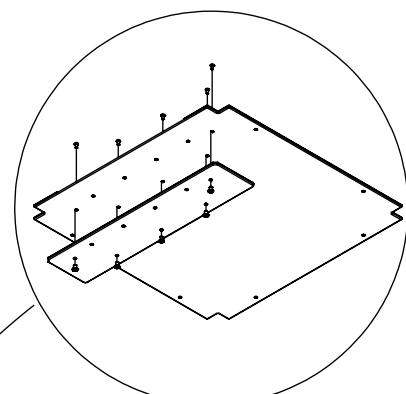
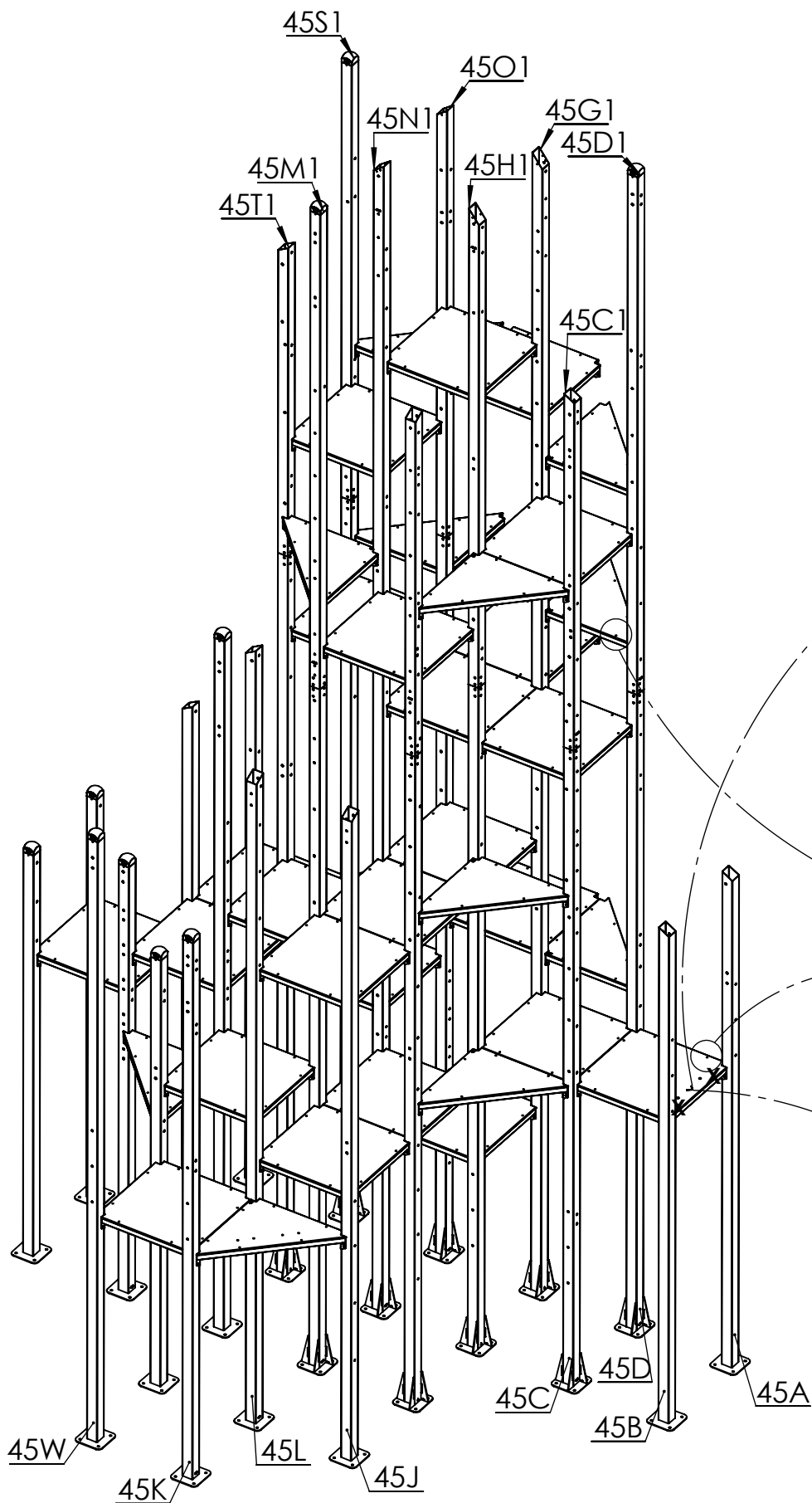
[cm]

vinci play

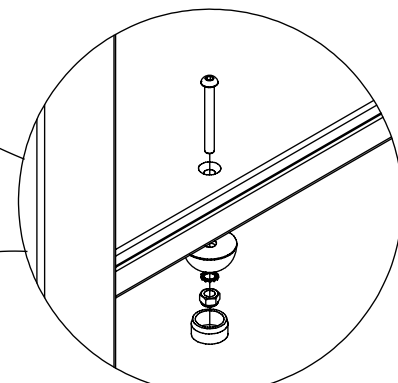


[cm]

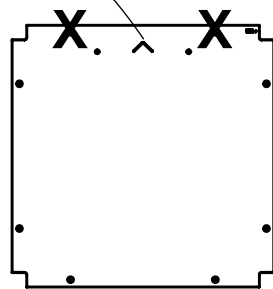
vinci
play



1x 17p061^{S6}

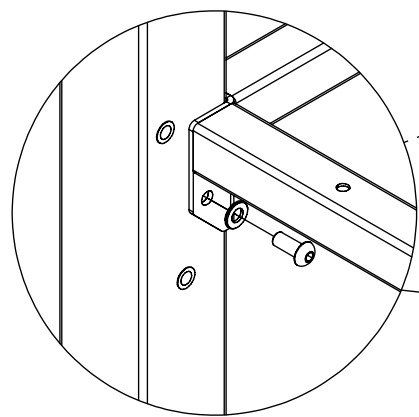
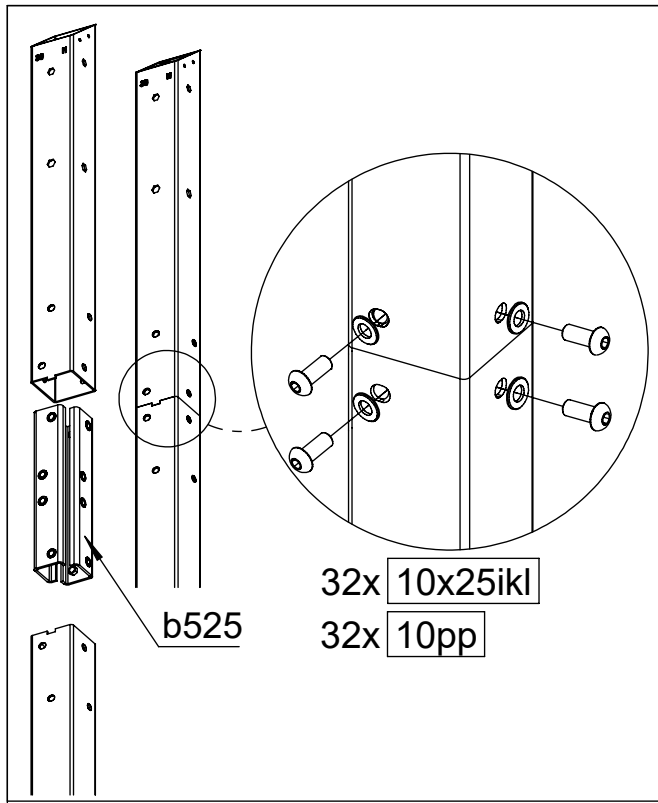


2x 17p005



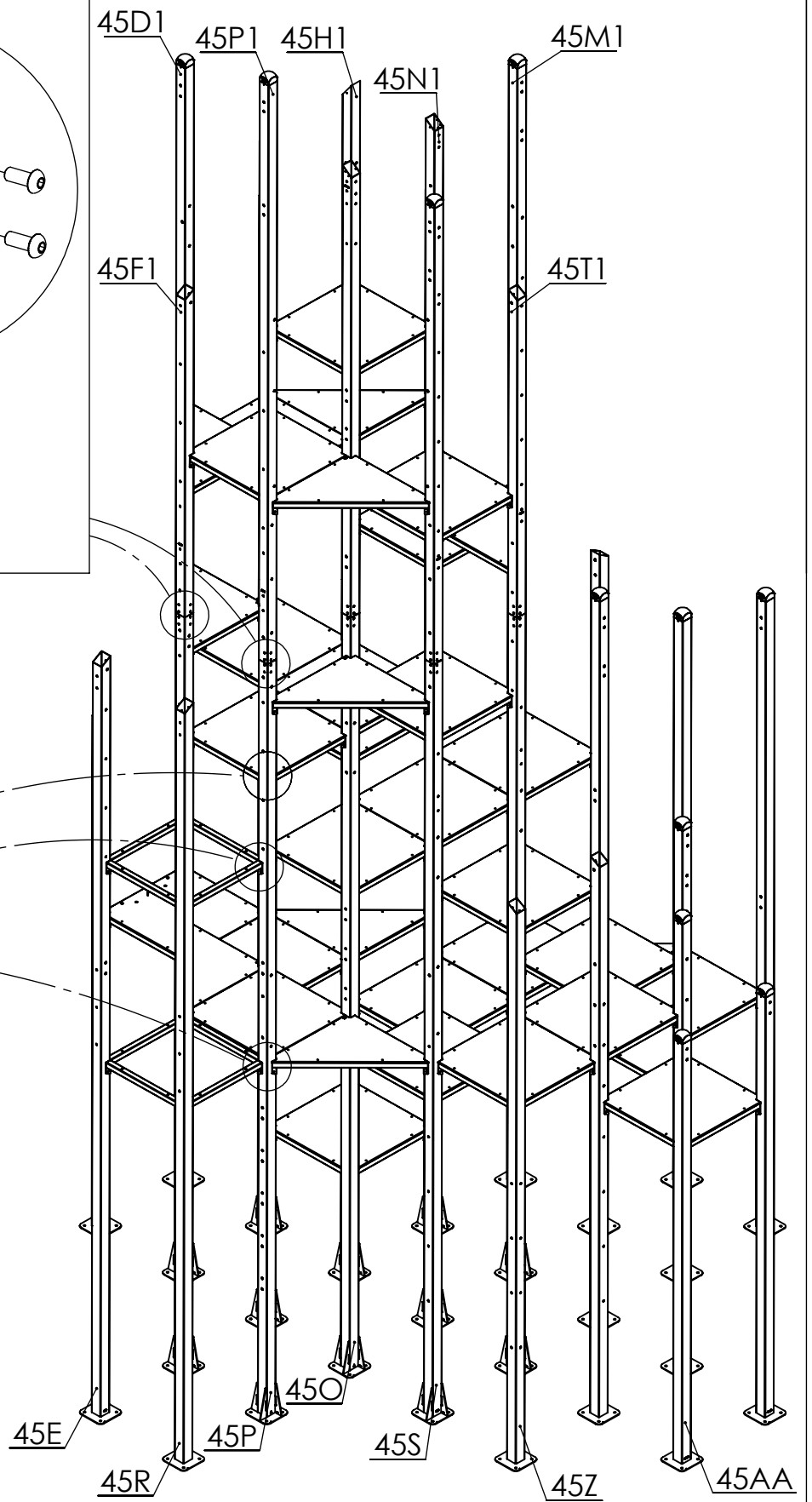
[cm]

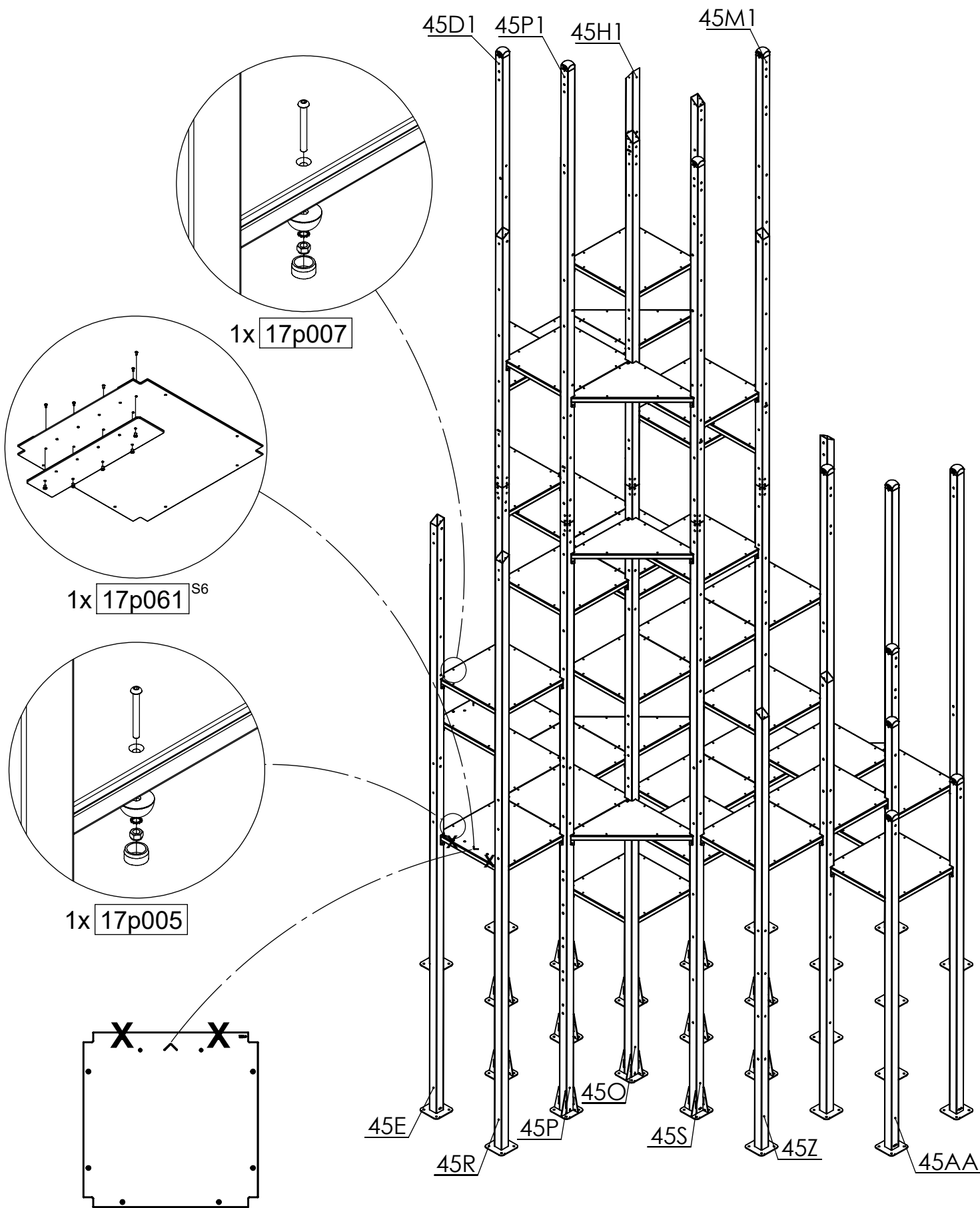
vinci
play

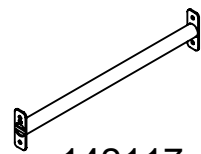


42x 10x25ikl

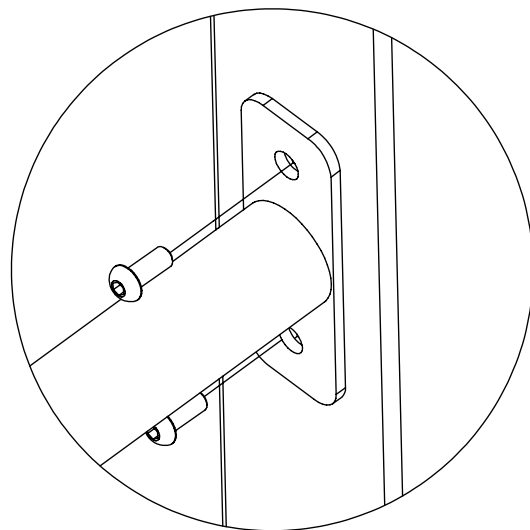
42x 10pp



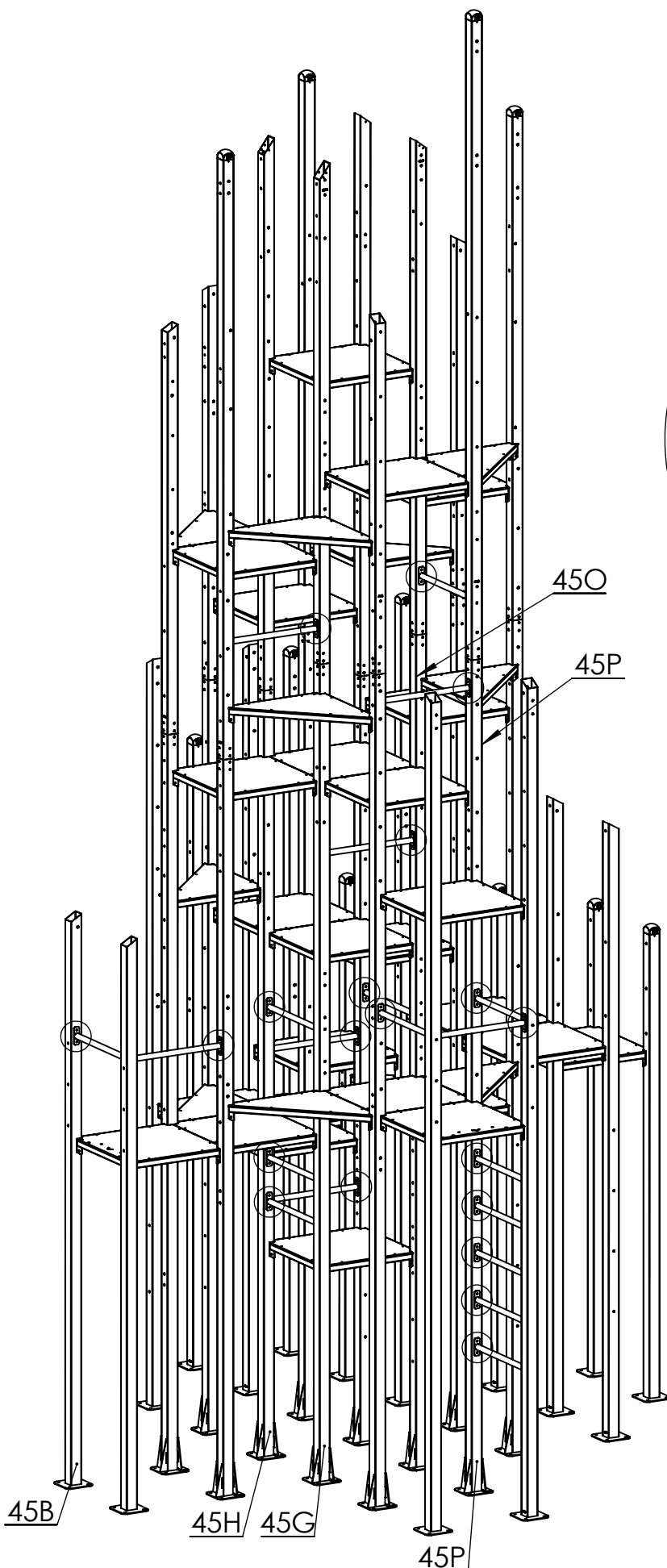




142117
x20

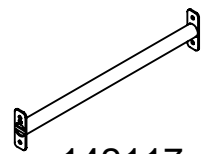


80x 10x25ikl

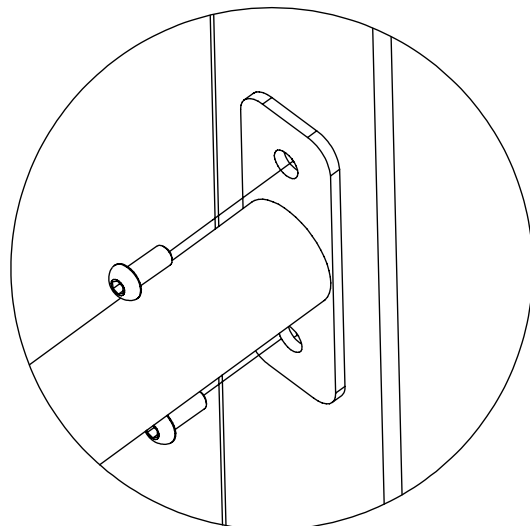
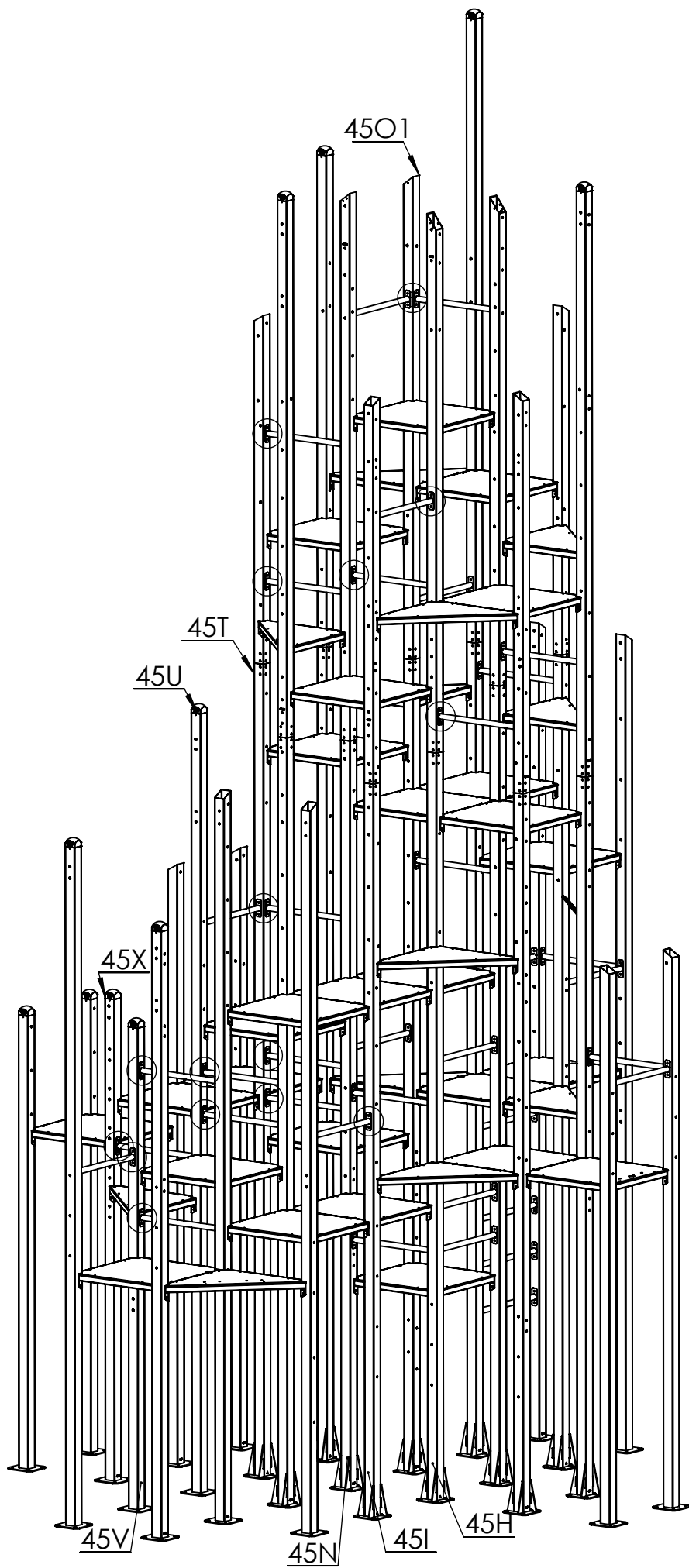


[cm]

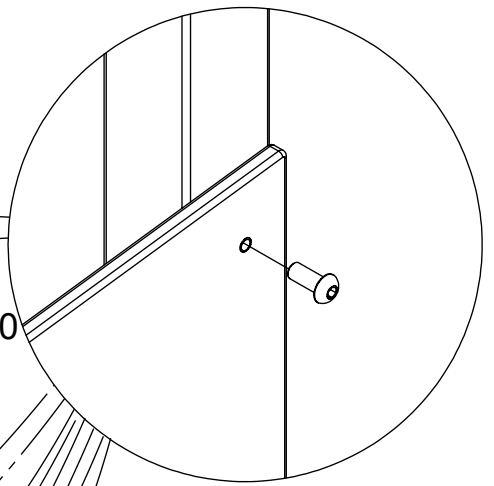
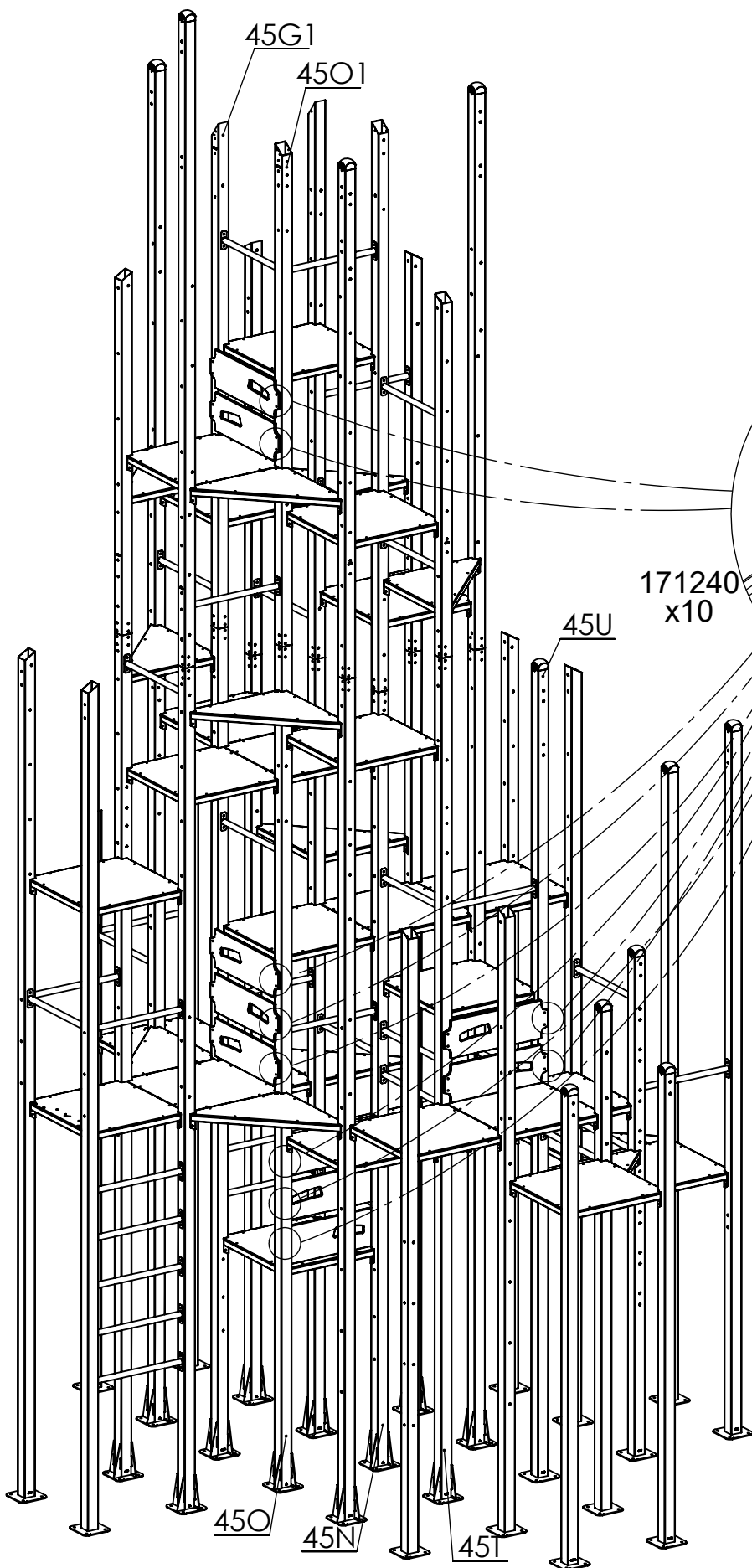
vinci
play



142117
x18



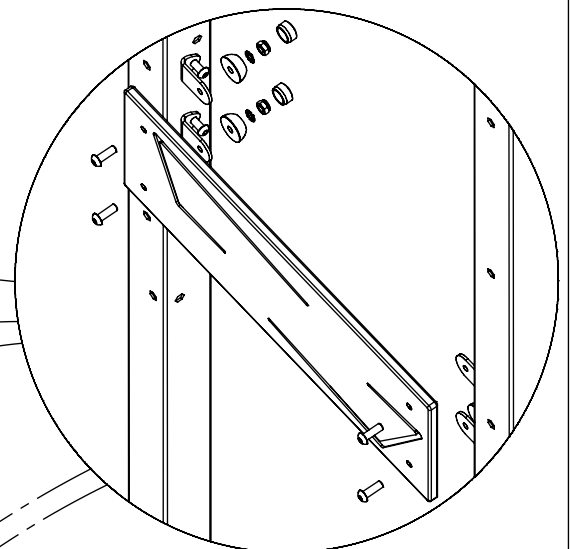
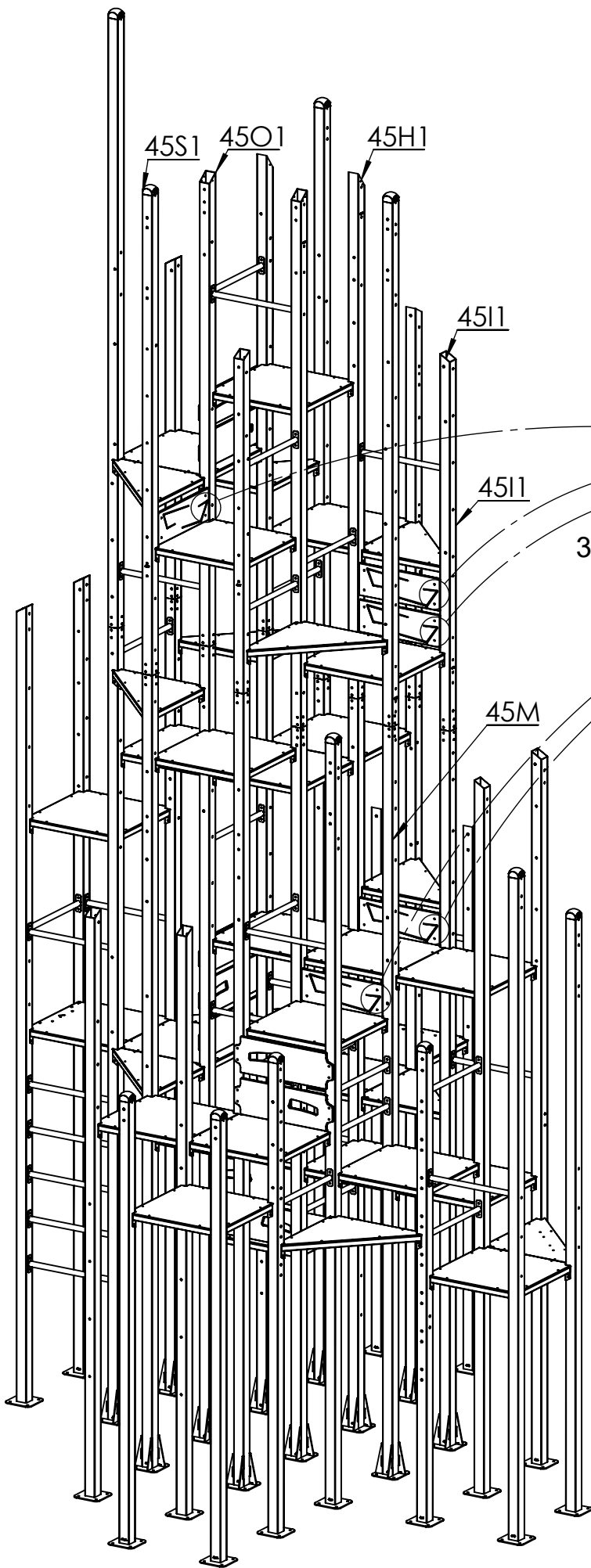
72x 10x25iki



40x 8x30i|k|

[cm]

vinci
play

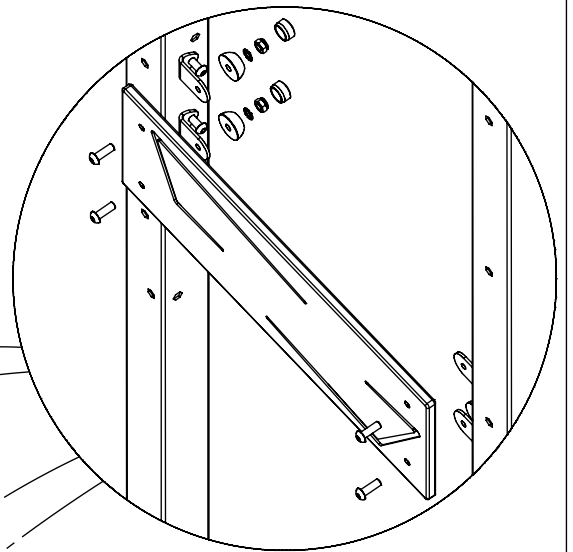
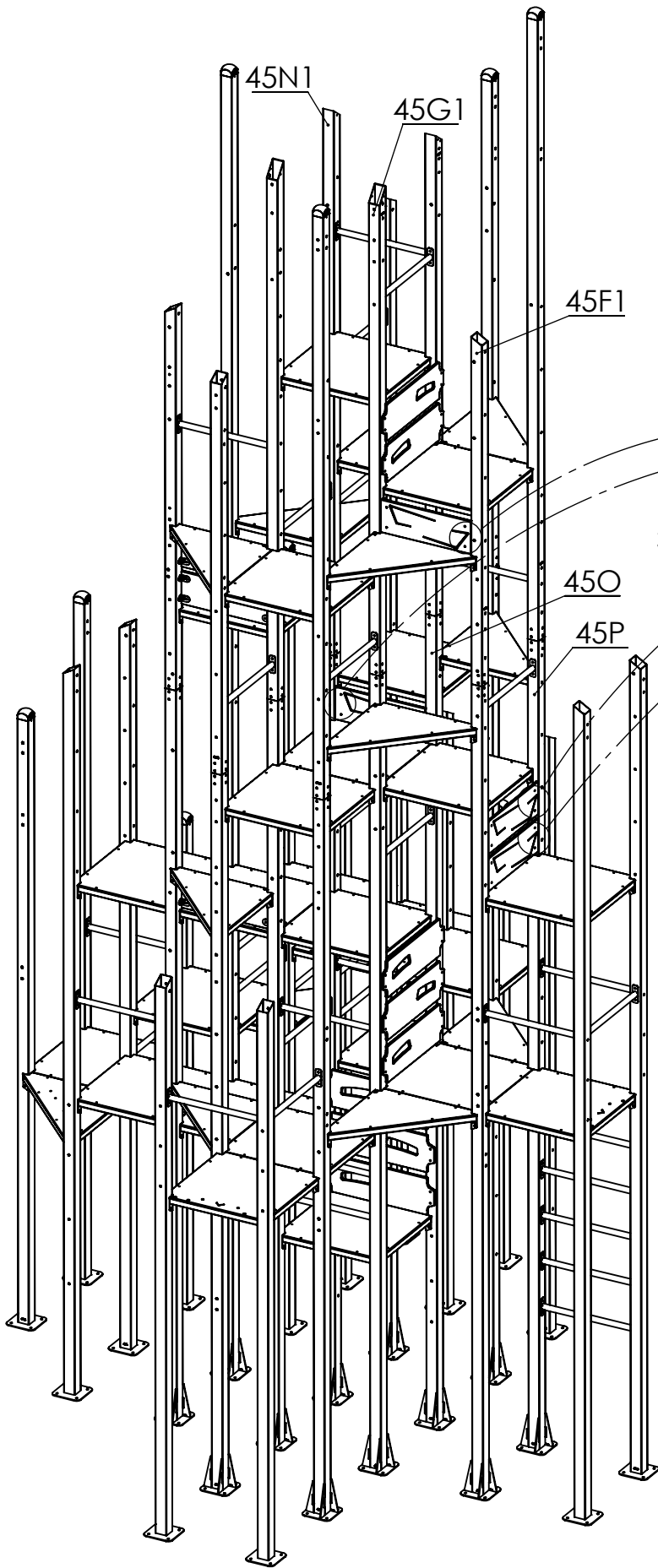


301159
x5

5x 17c004

[cm]

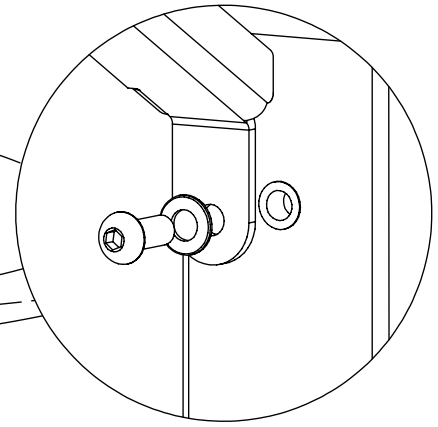
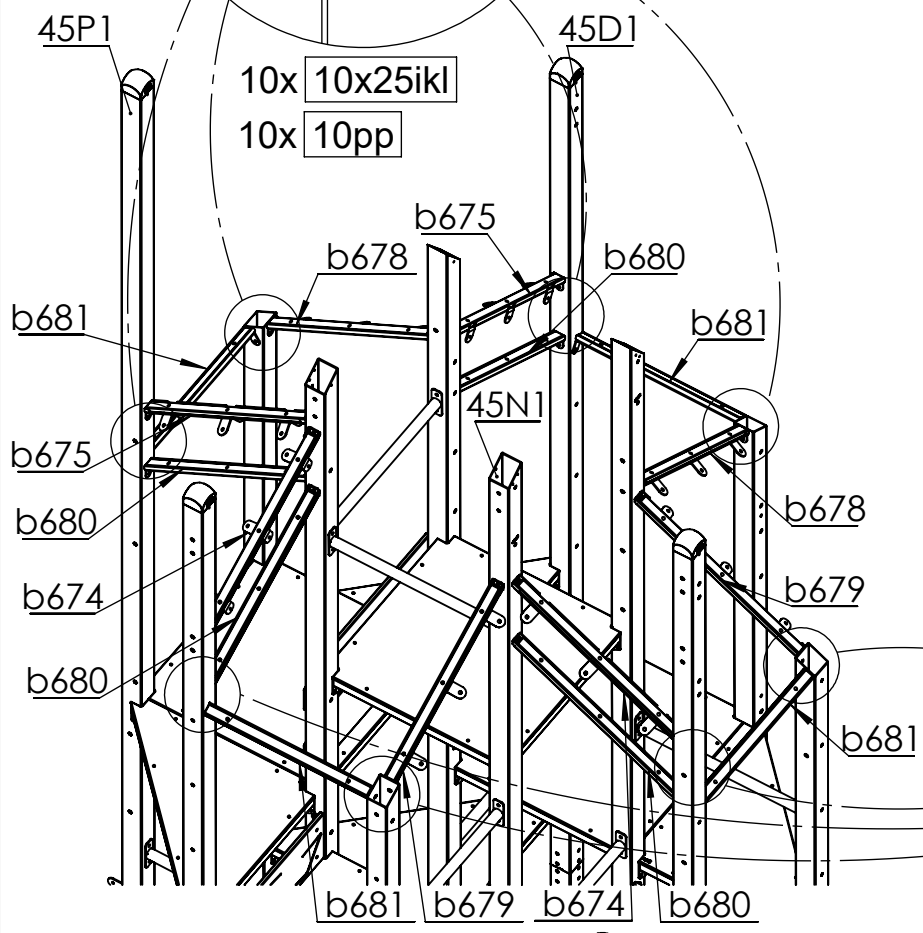
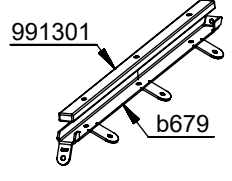
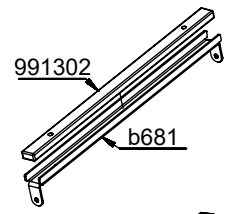
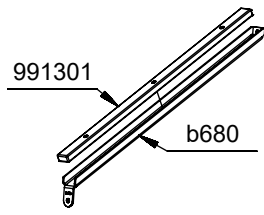
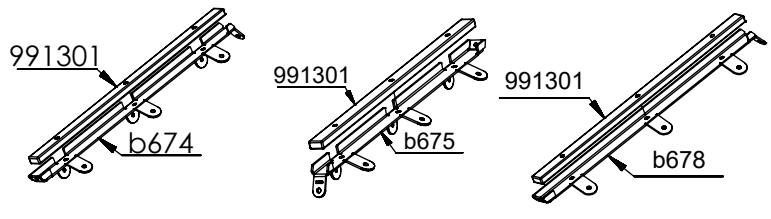
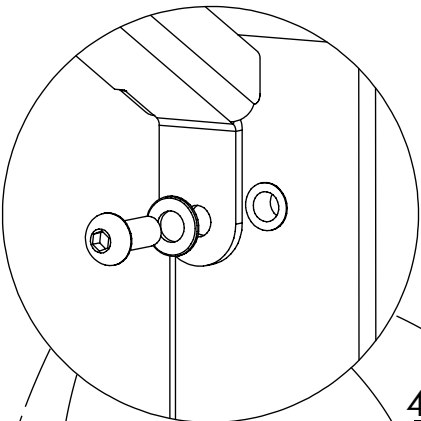
vinci
play



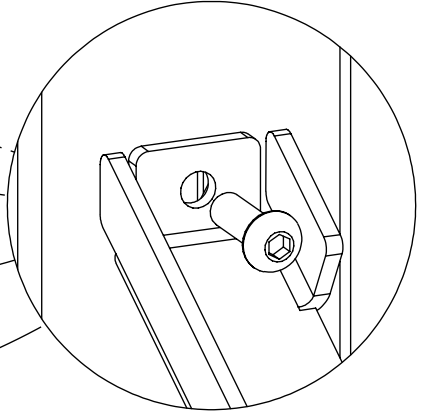
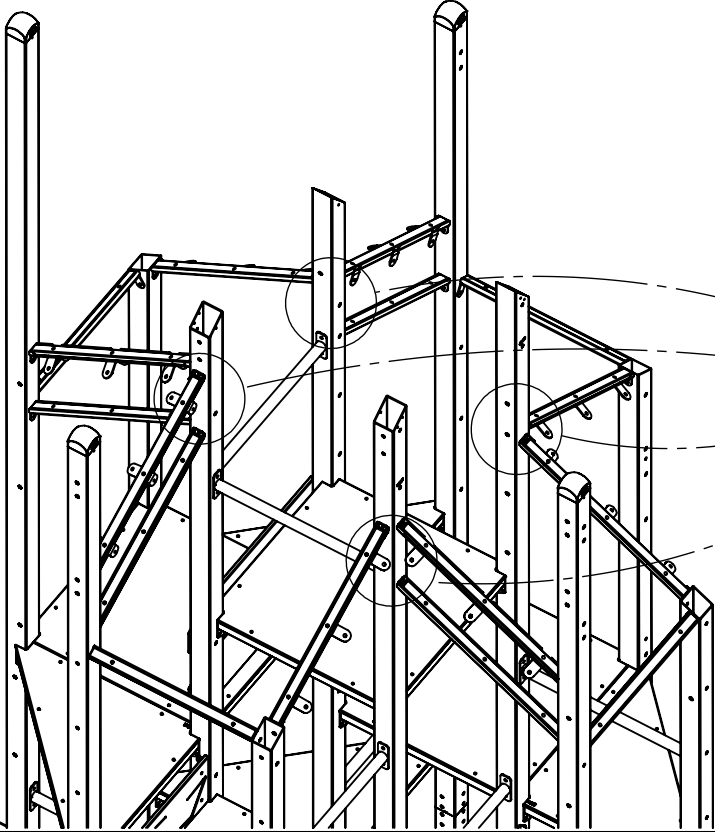
4x 17c004

[cm]

vinci
play



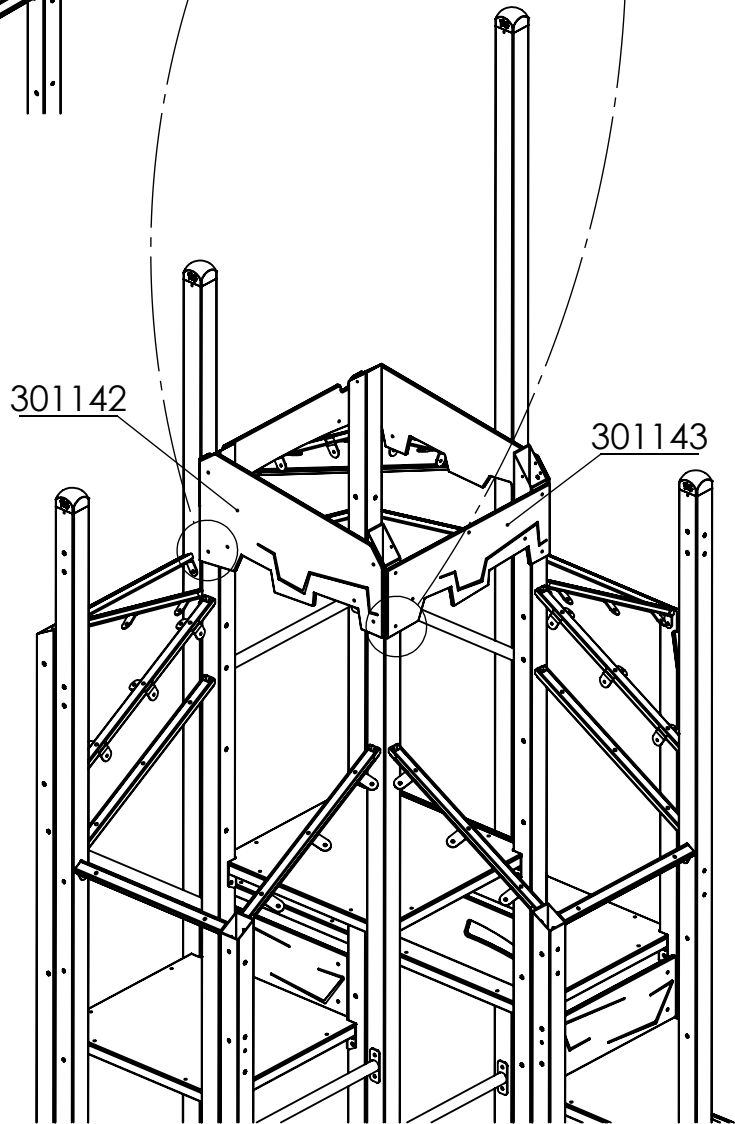
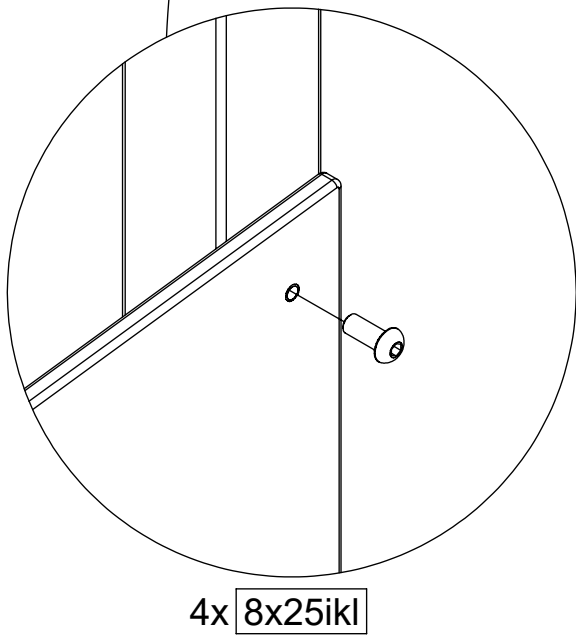
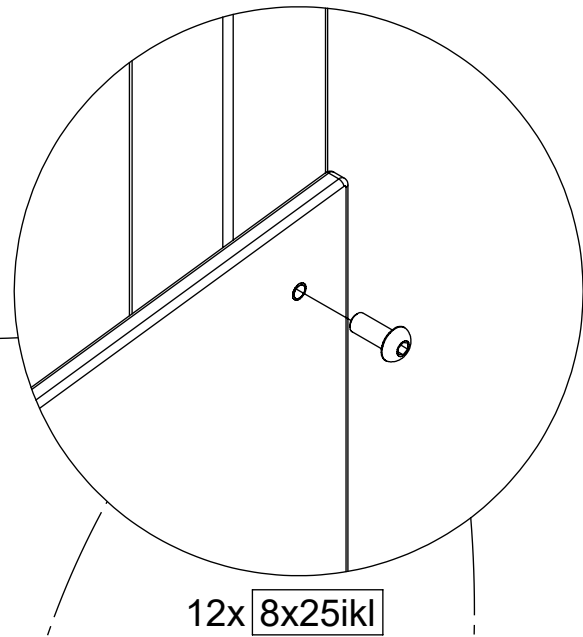
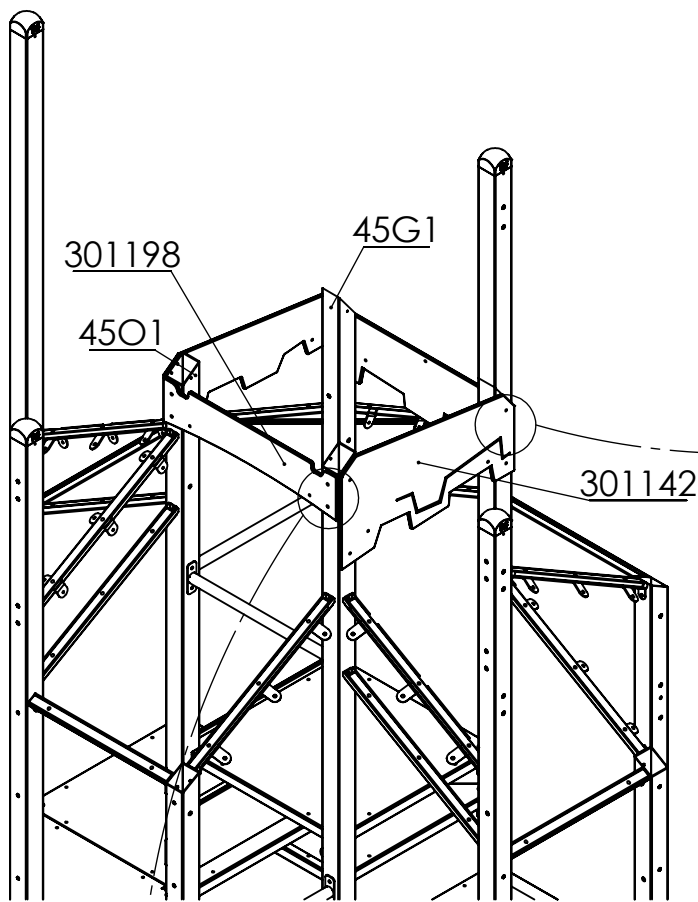
10x 10x25ikl
10x 10pp

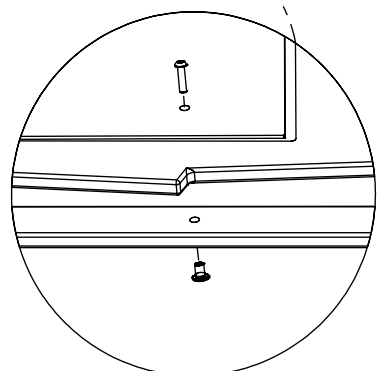
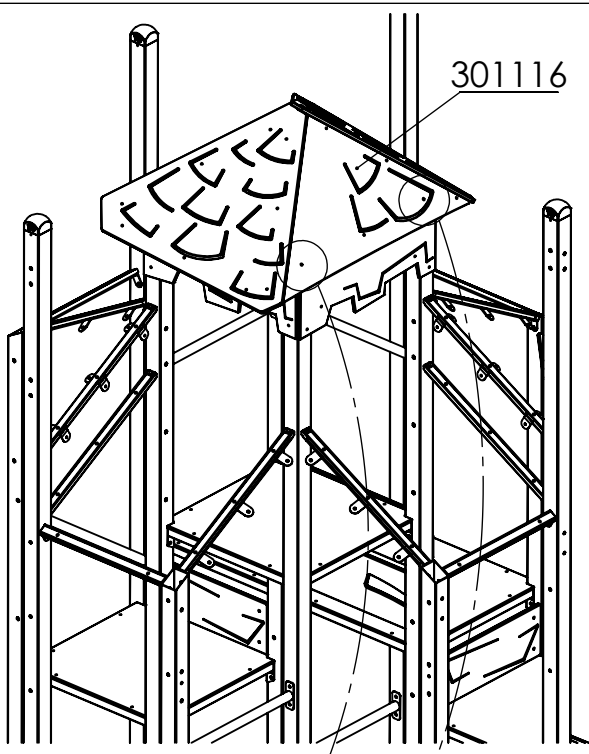
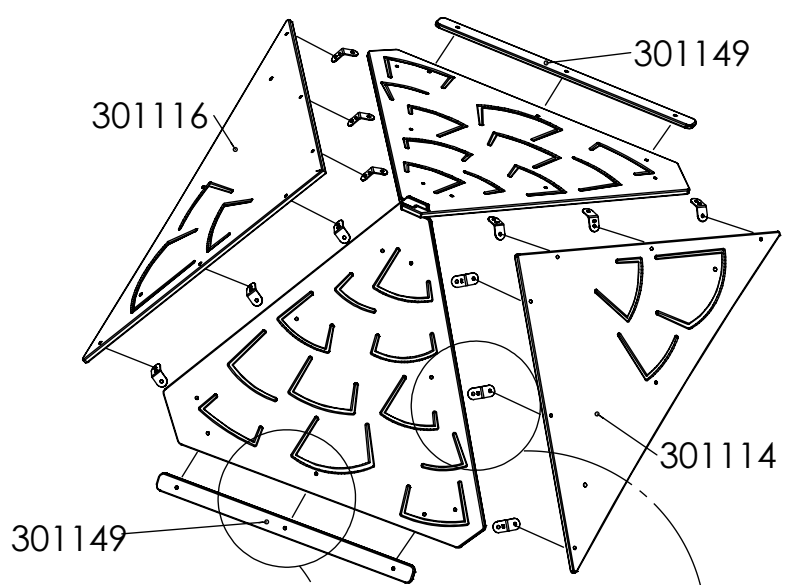
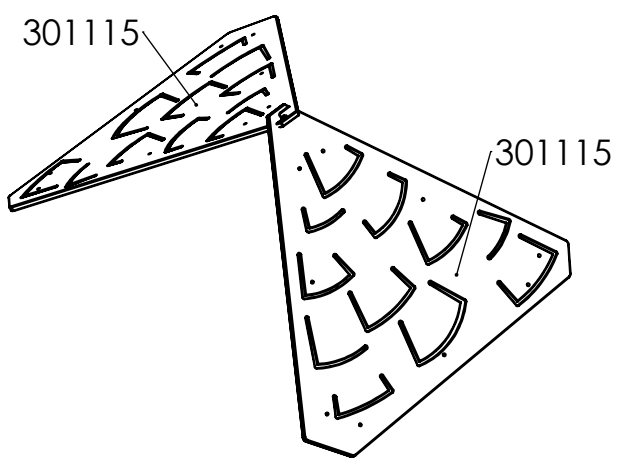


12x 8x25ikl

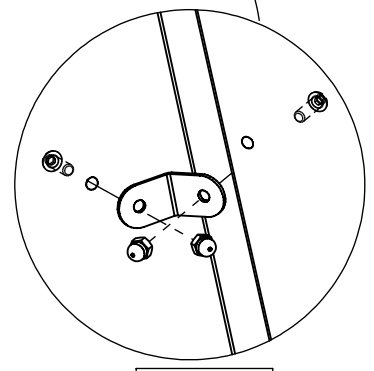
[cm]

vinci
play

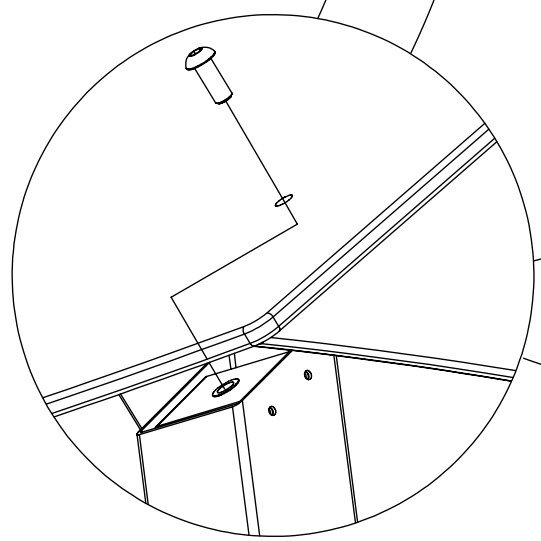
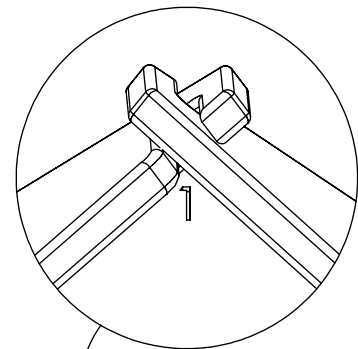




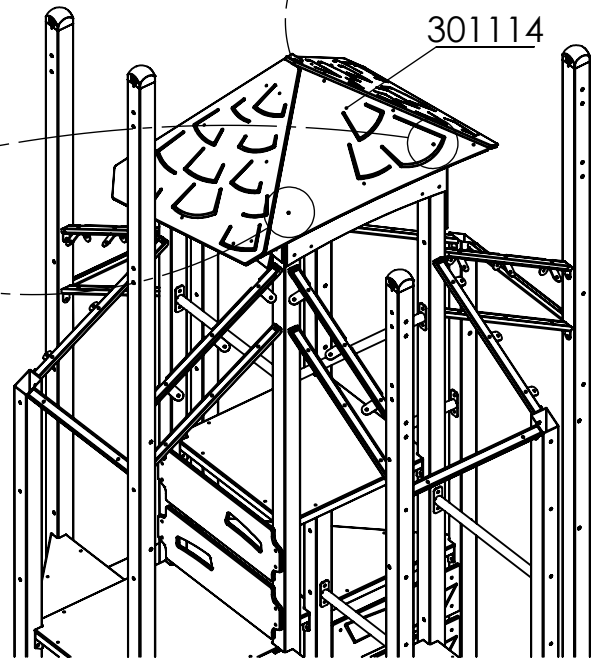
2x 30c152



1x 30c058

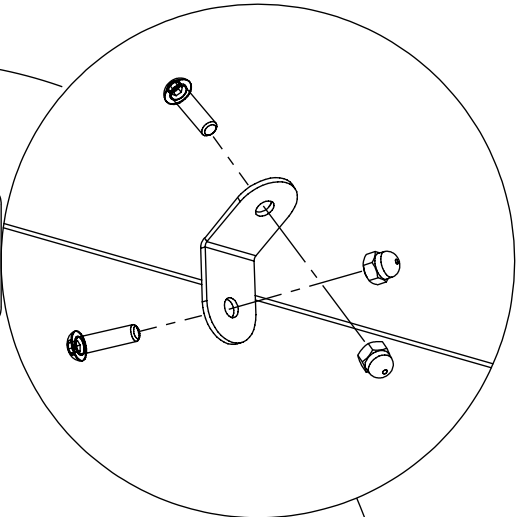
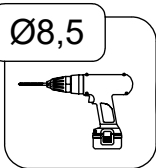
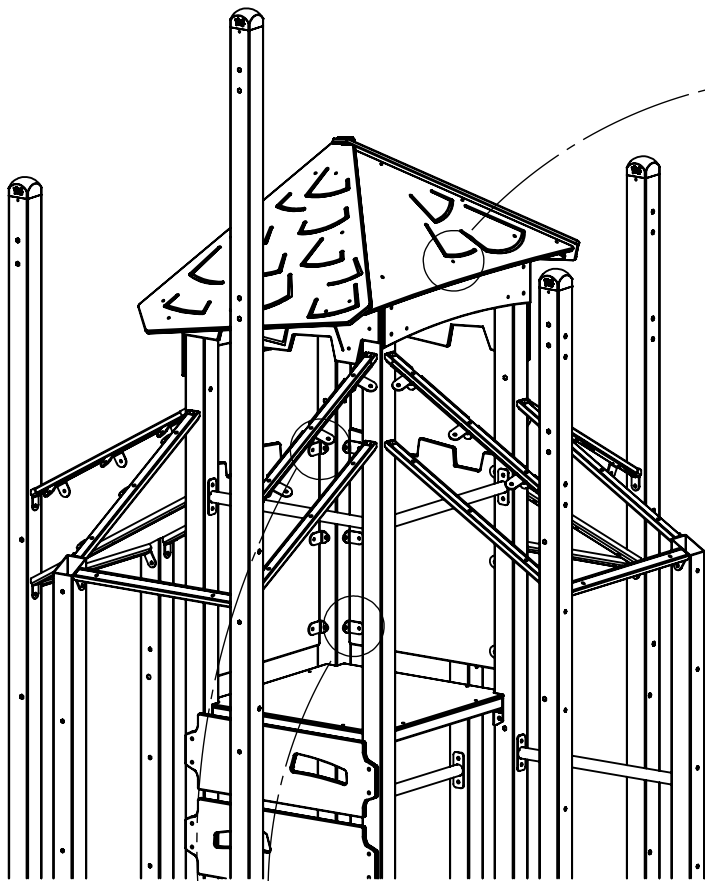


4x 10x30iki

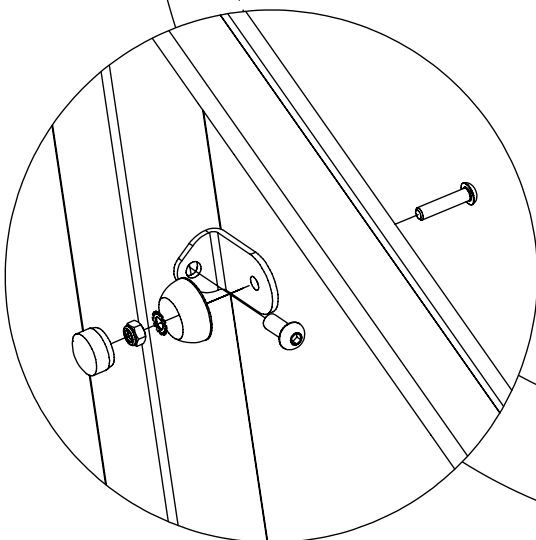


[cm]

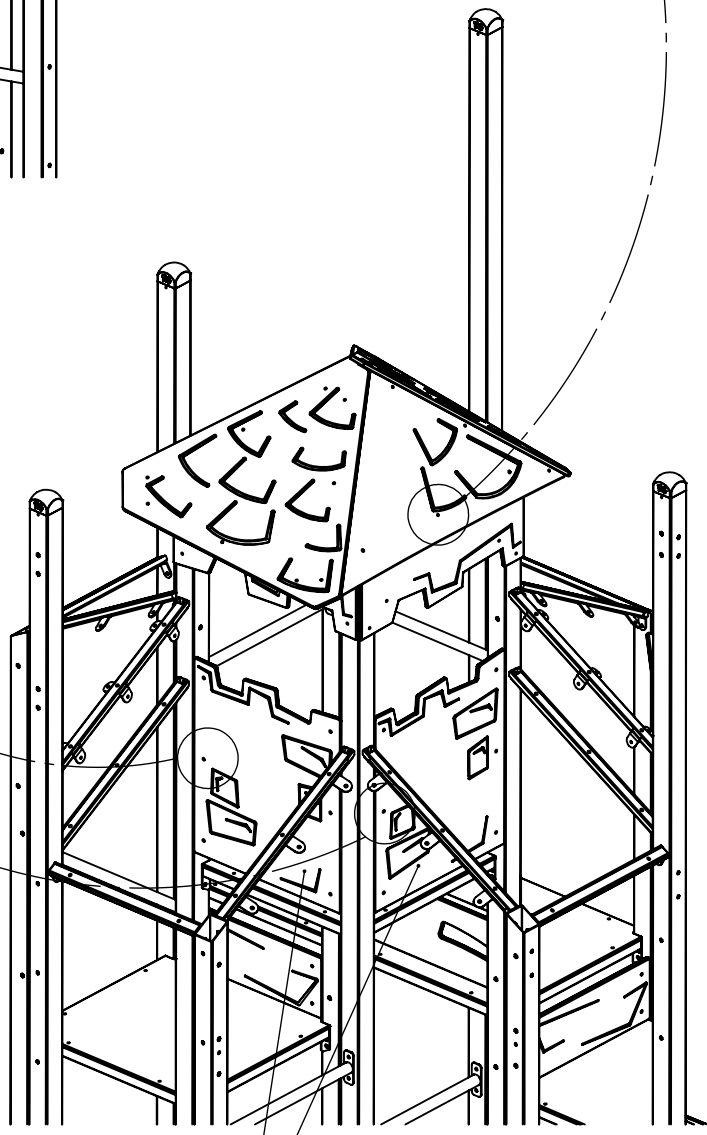
vinci
play



1x 30c154



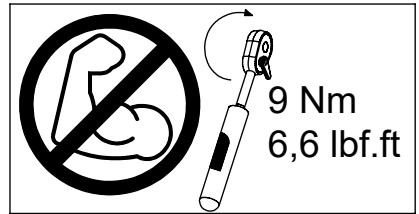
2x 17e111



301207

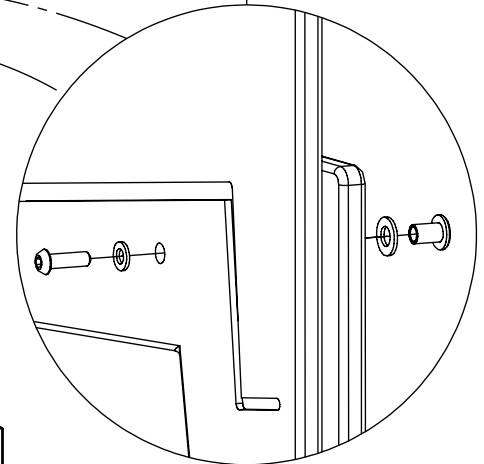
vinci play

[cm]

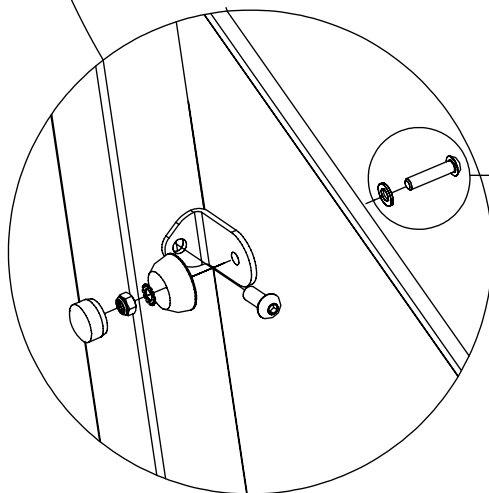


301155

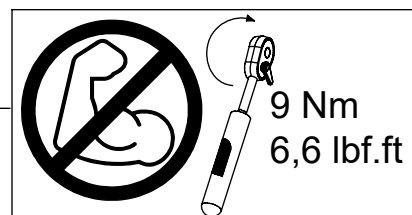
301136



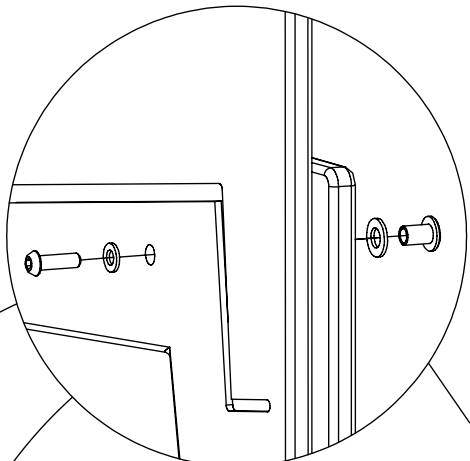
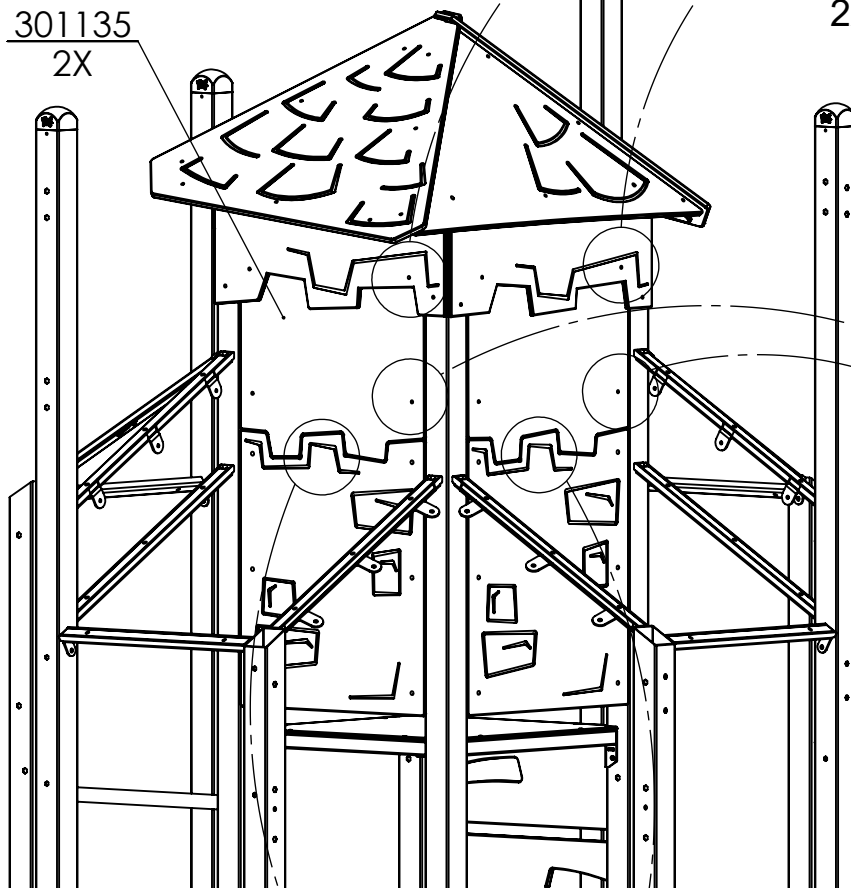
2x 30c108



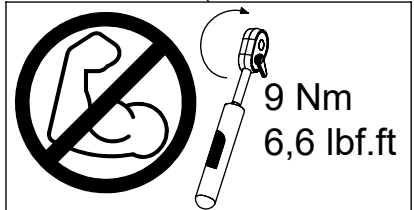
2x 30e058



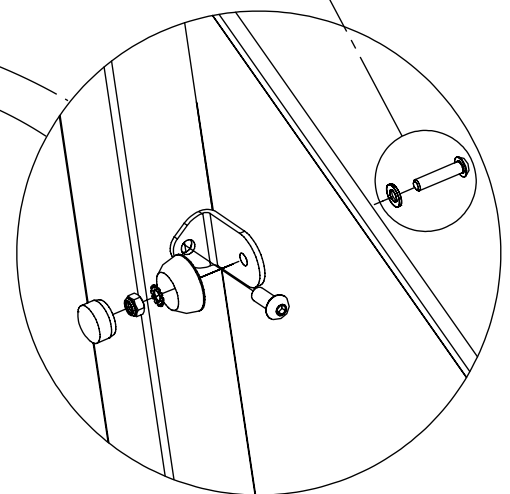
301135
2X



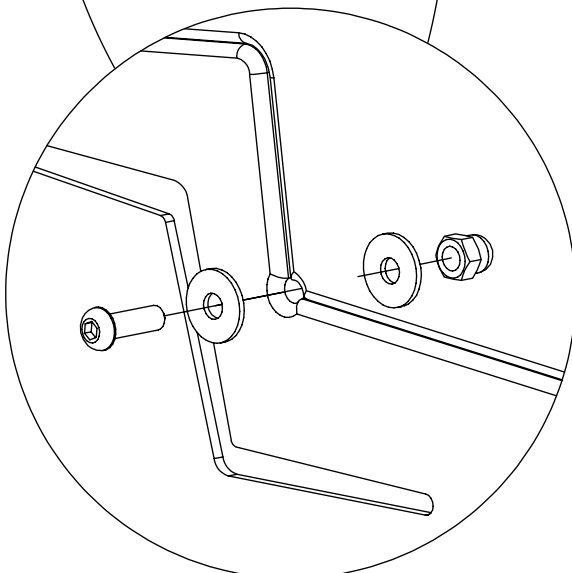
2x 30c108



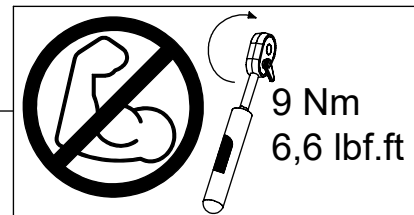
9 Nm
6,6 lbf.ft



2x 30e058



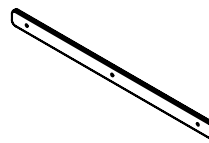
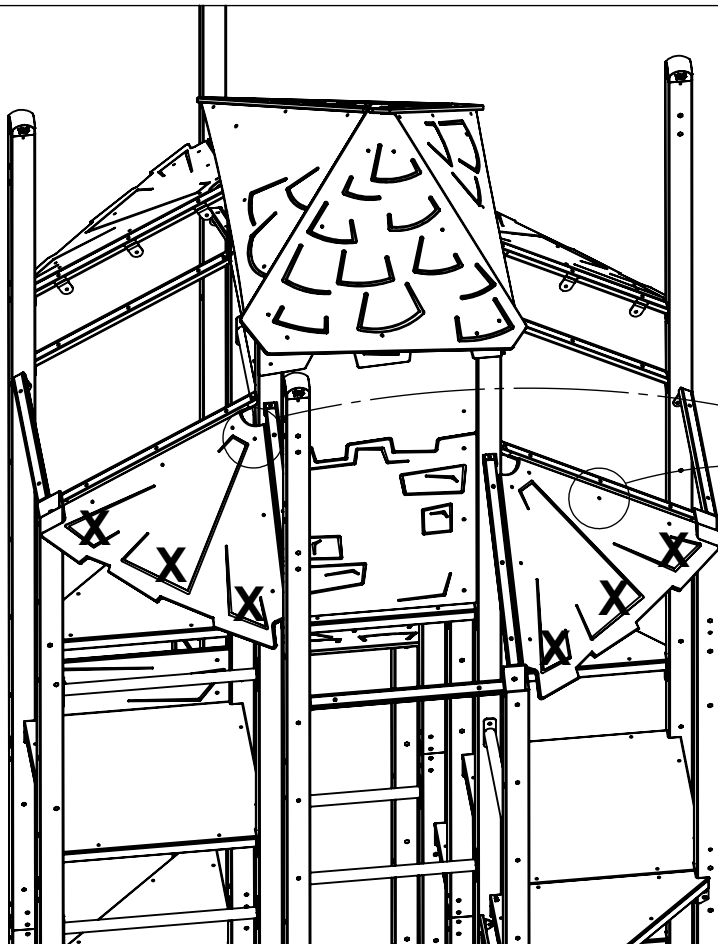
4x 30e057



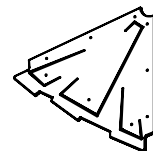
9 Nm
6,6 lbf.ft

[cm]

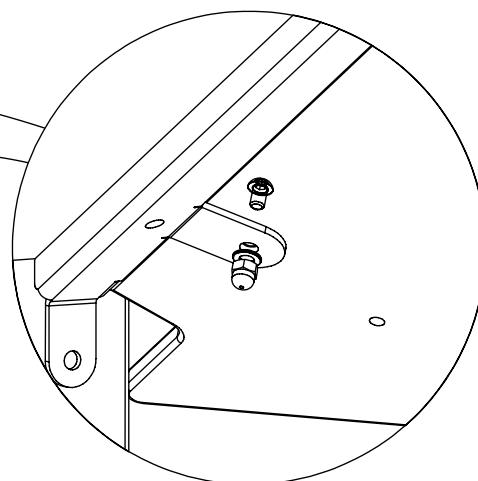
vinci
play



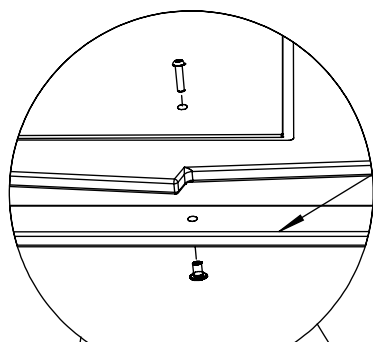
2x 301149



4x 301108

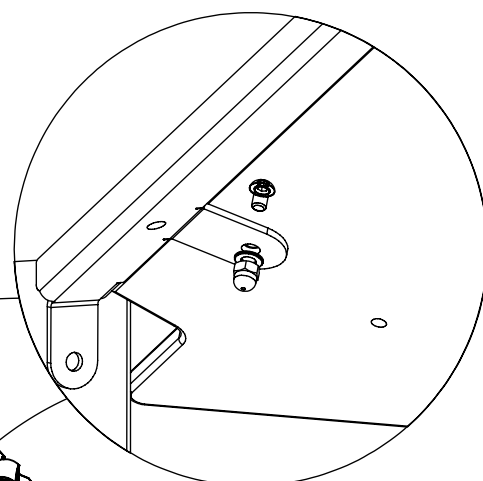


2x 30c148

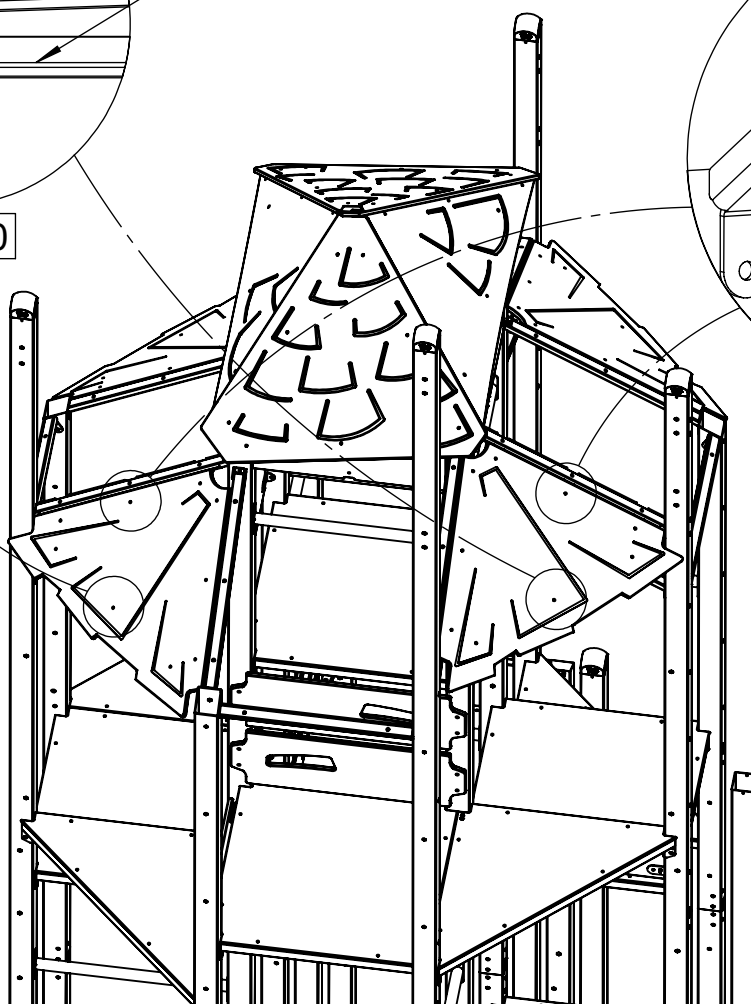


301149

30c060



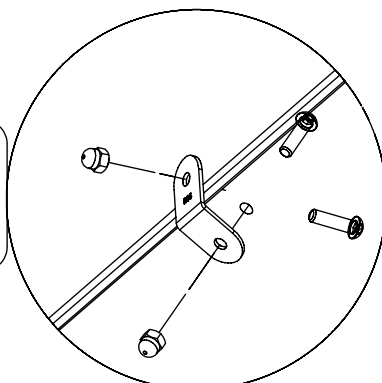
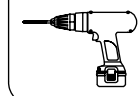
2x 30c060



[cm]

vinci
play

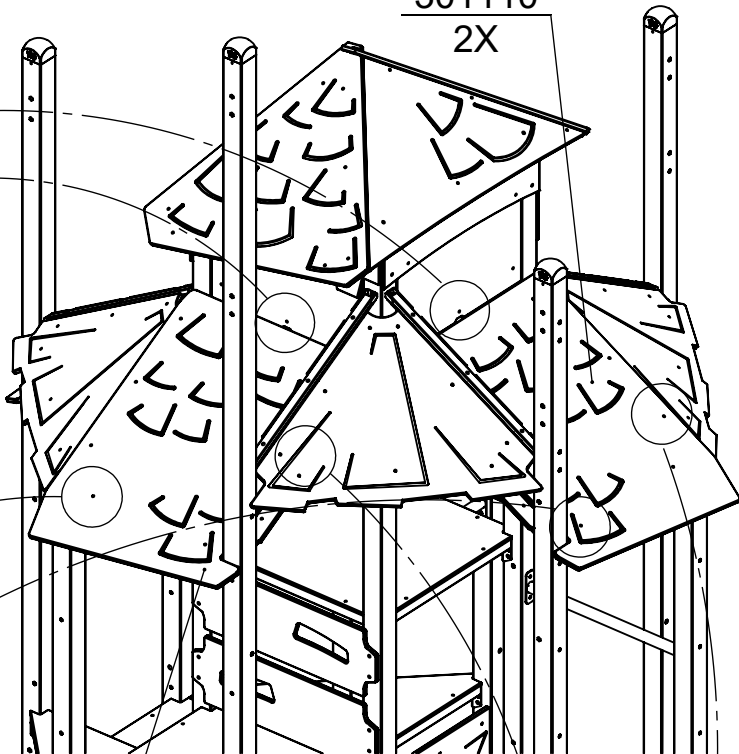
Ø8,5



2x 30c124

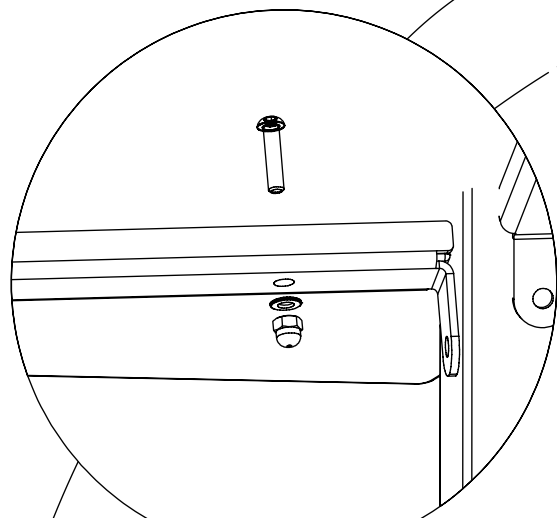
301110

2X

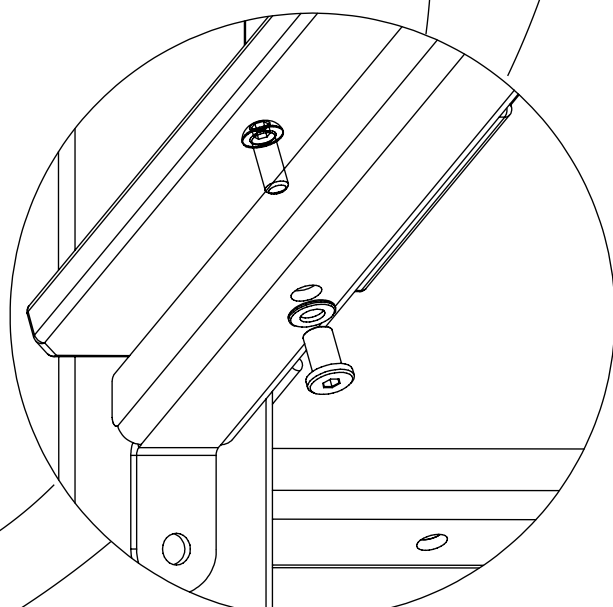


301111

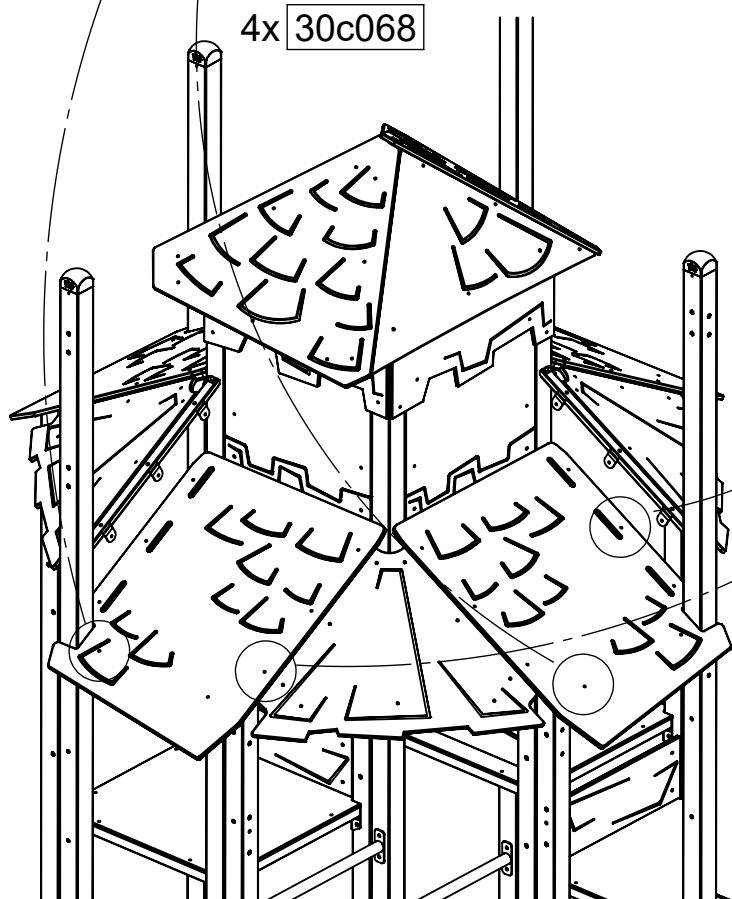
2X



4x 30c068

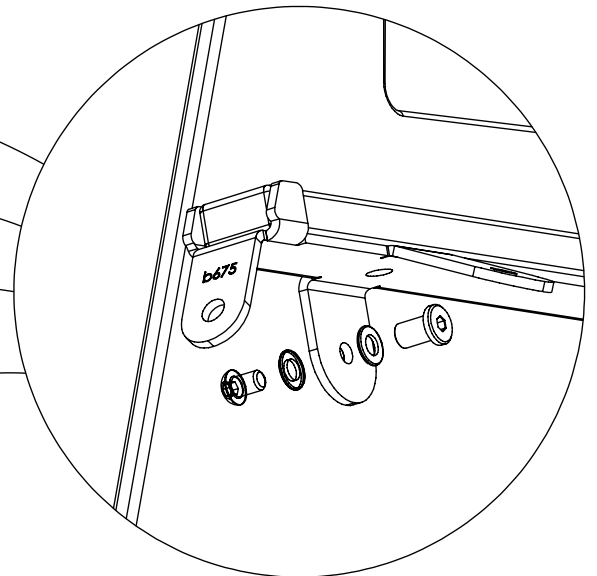
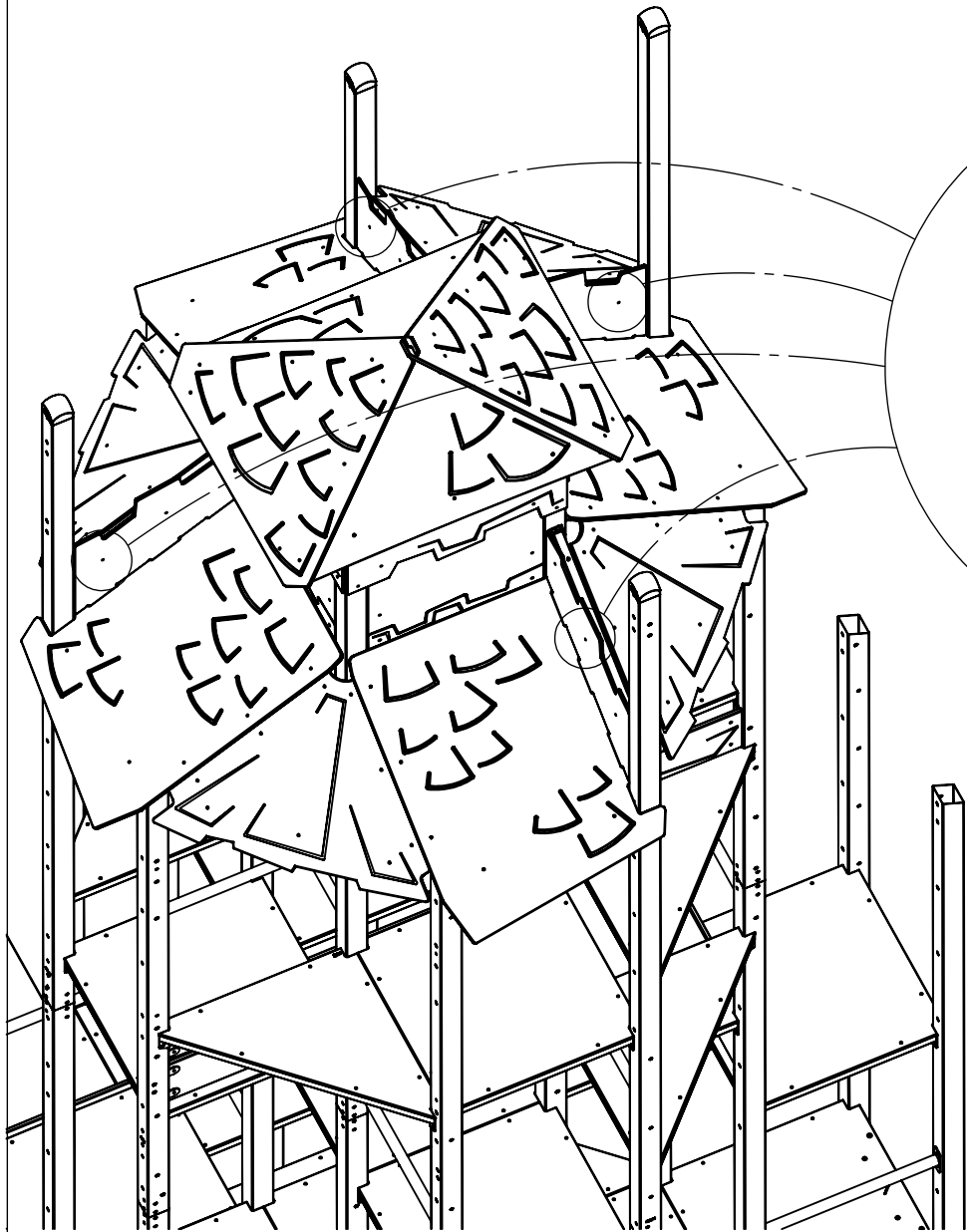
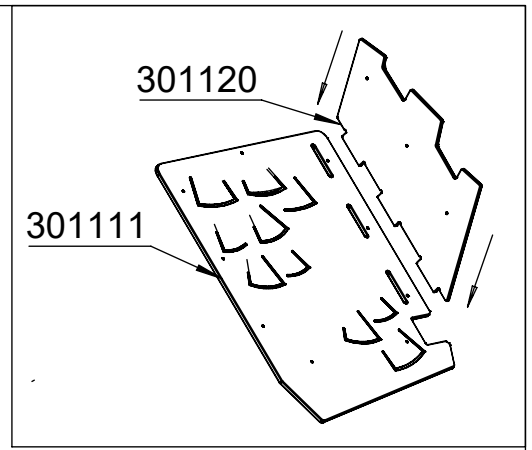


4x 30c070

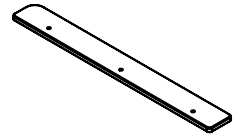


[cm]

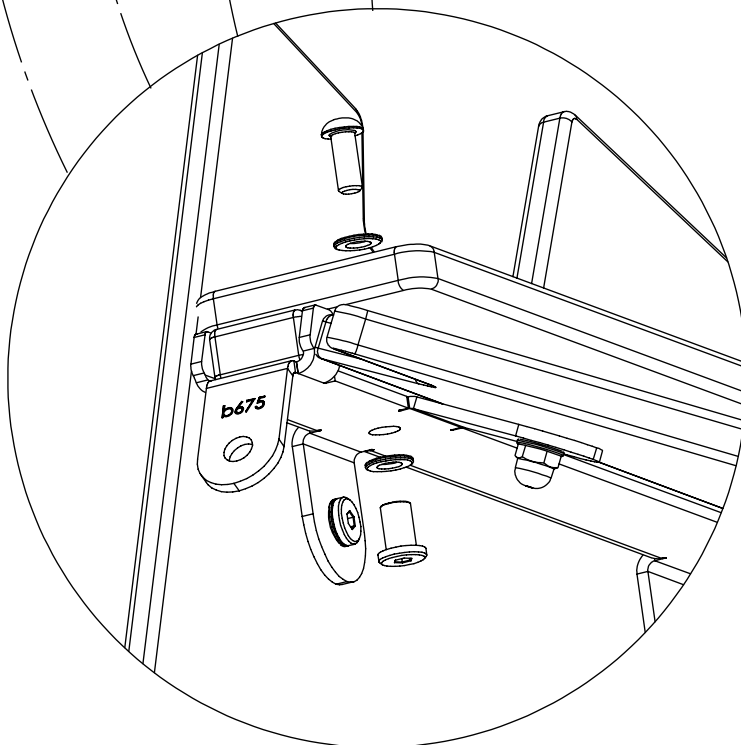
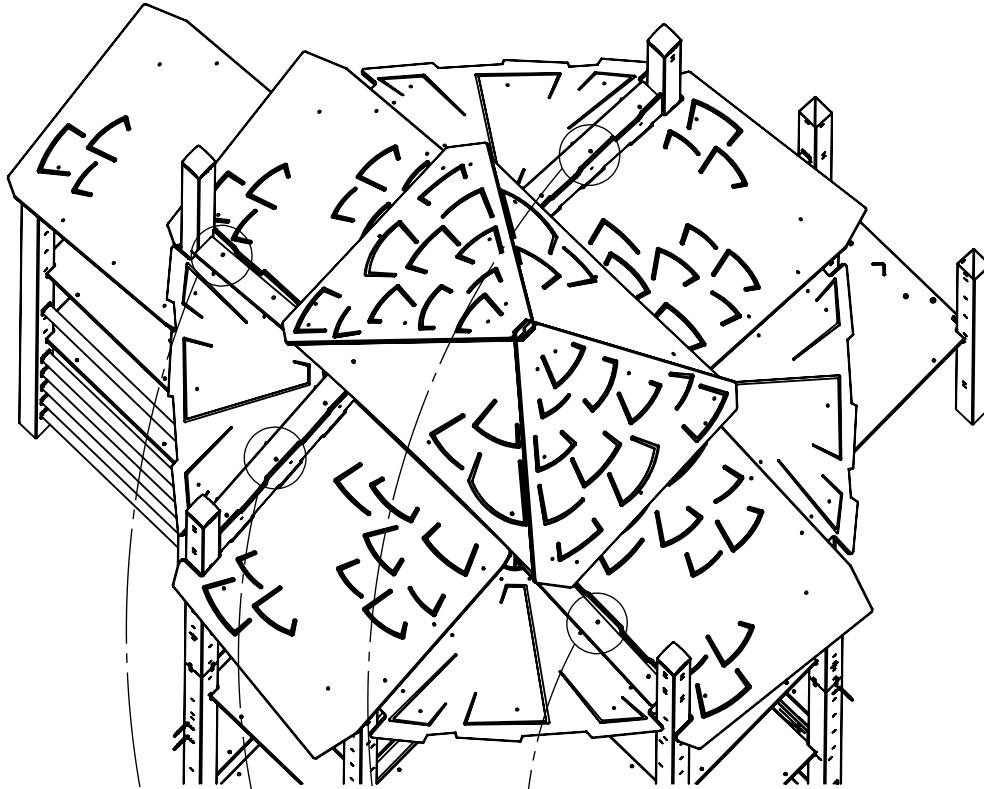
vinci
play



4x 30c106



301119
x4

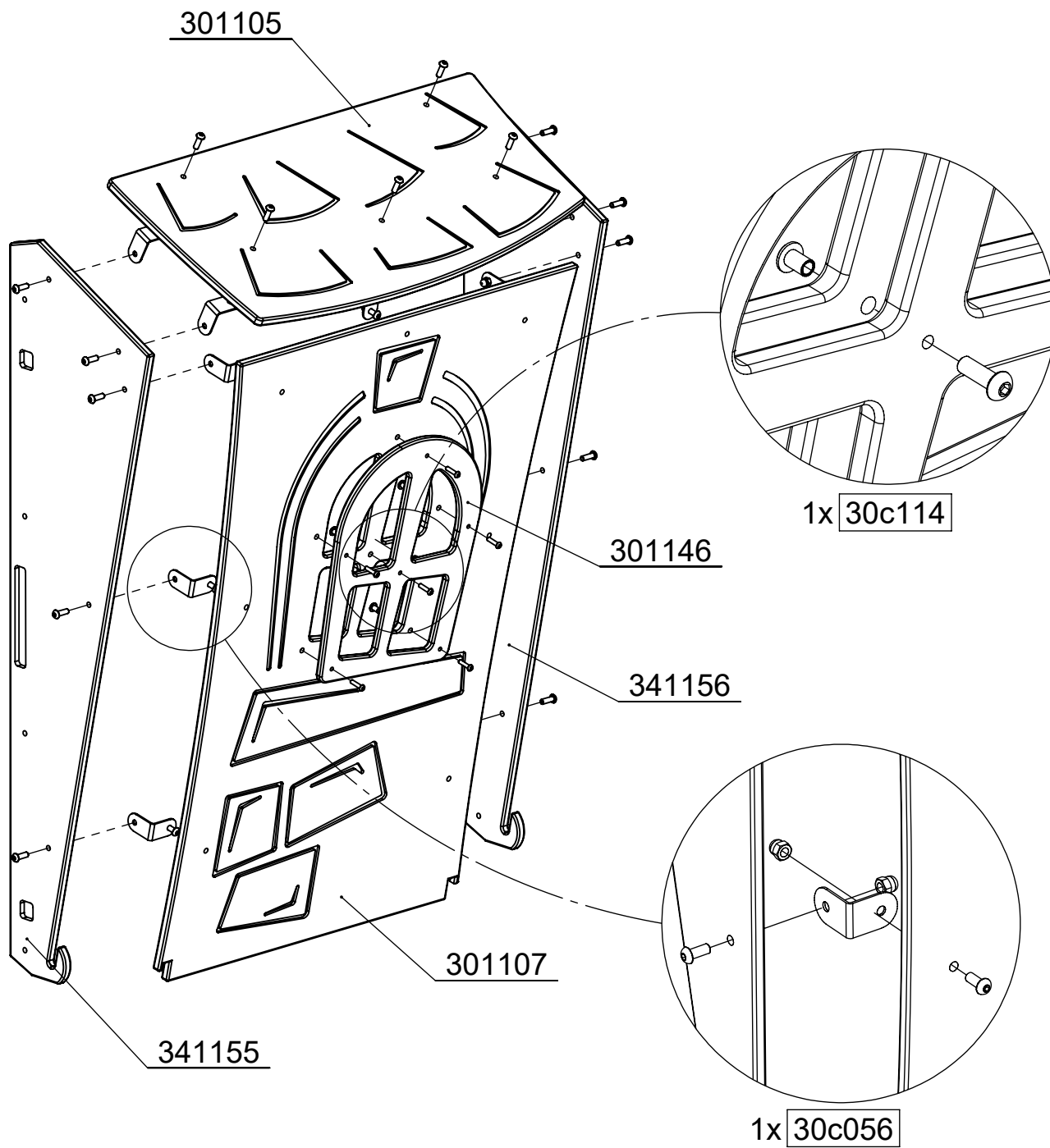


4x 30c110

[cm]

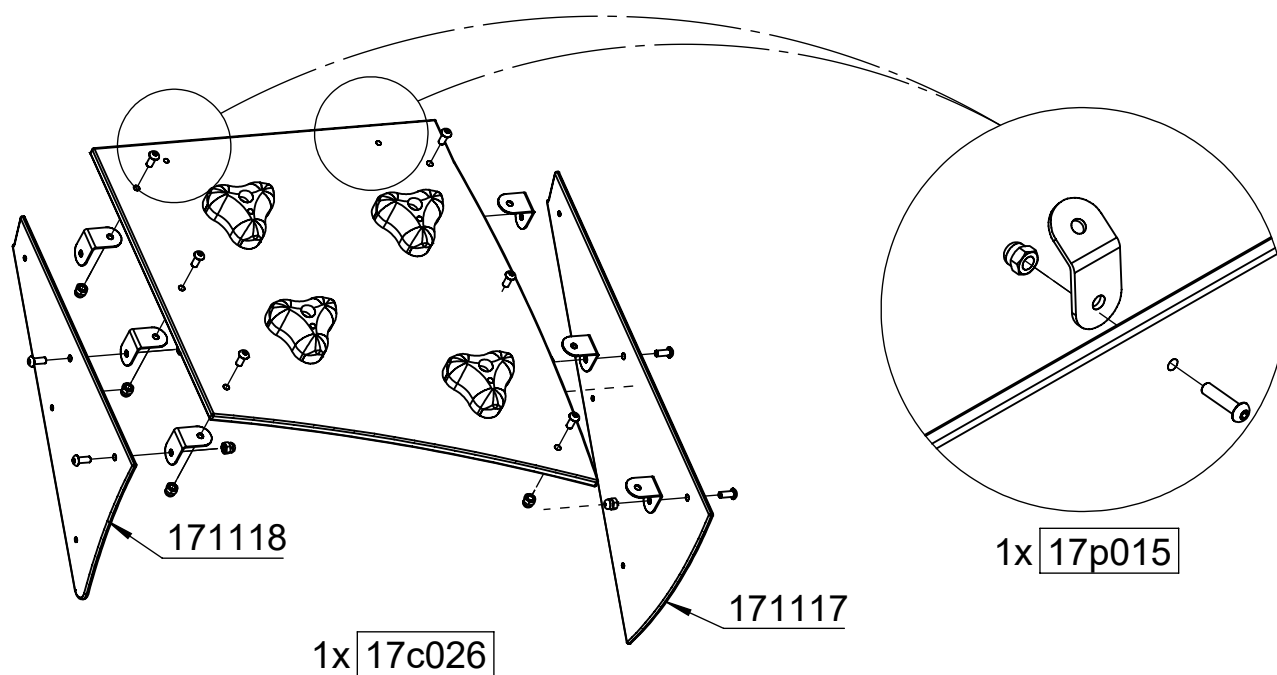
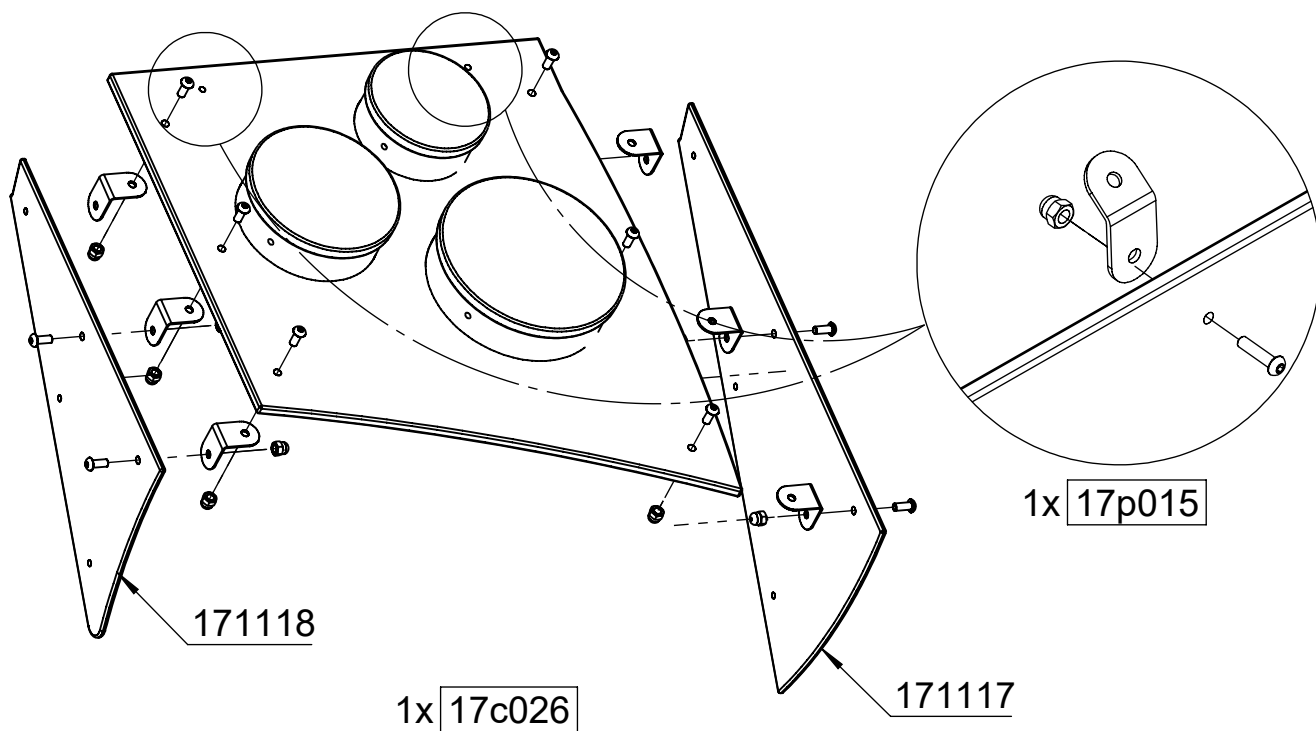
vinci
play

x4



[cm]

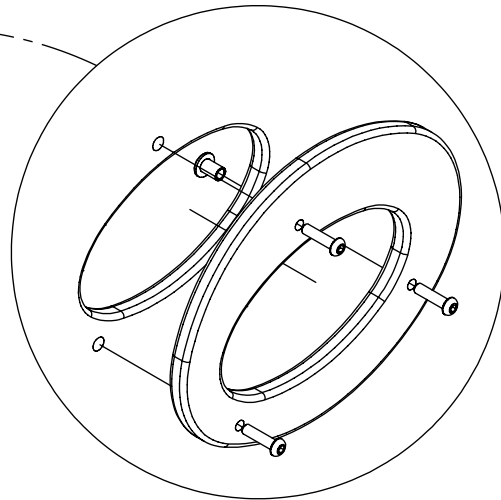
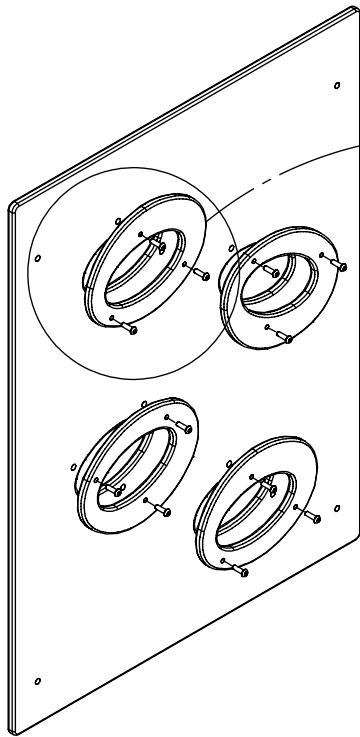
vinci
play



[cm]

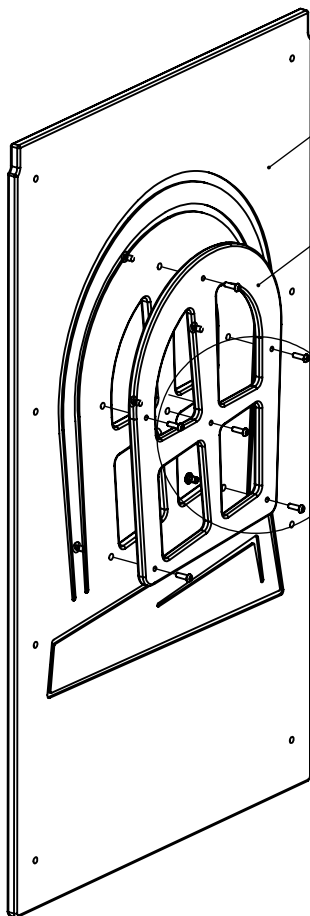
vinci
play

x3



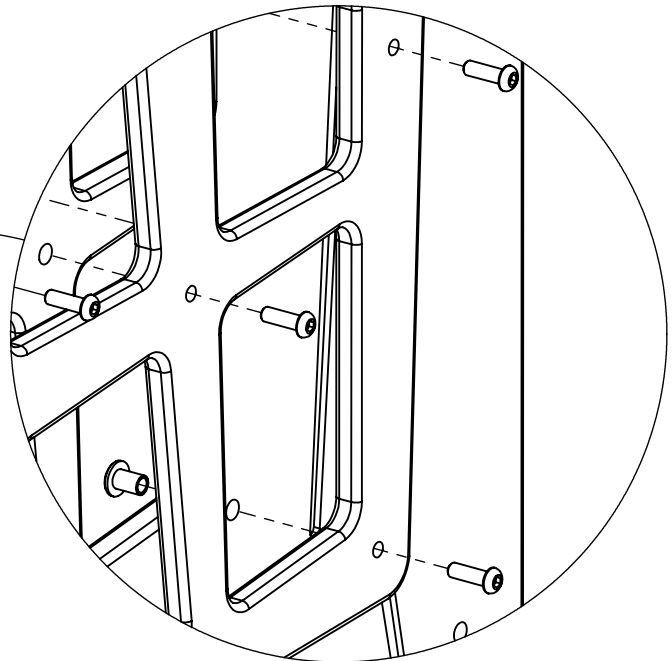
4x 30p039

x3



301160

301146

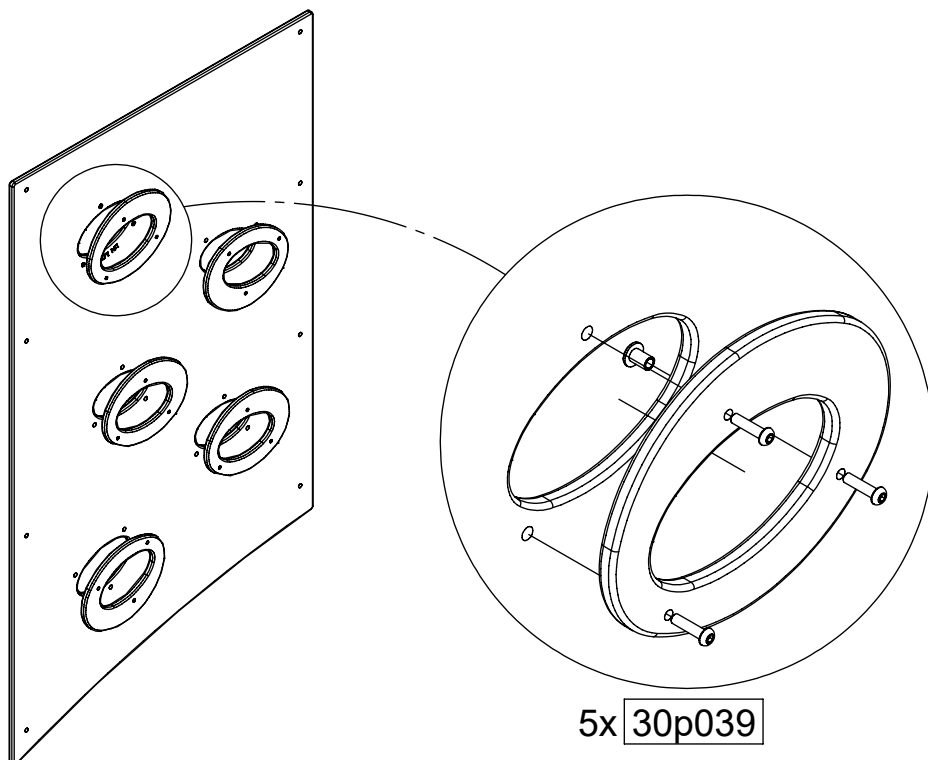
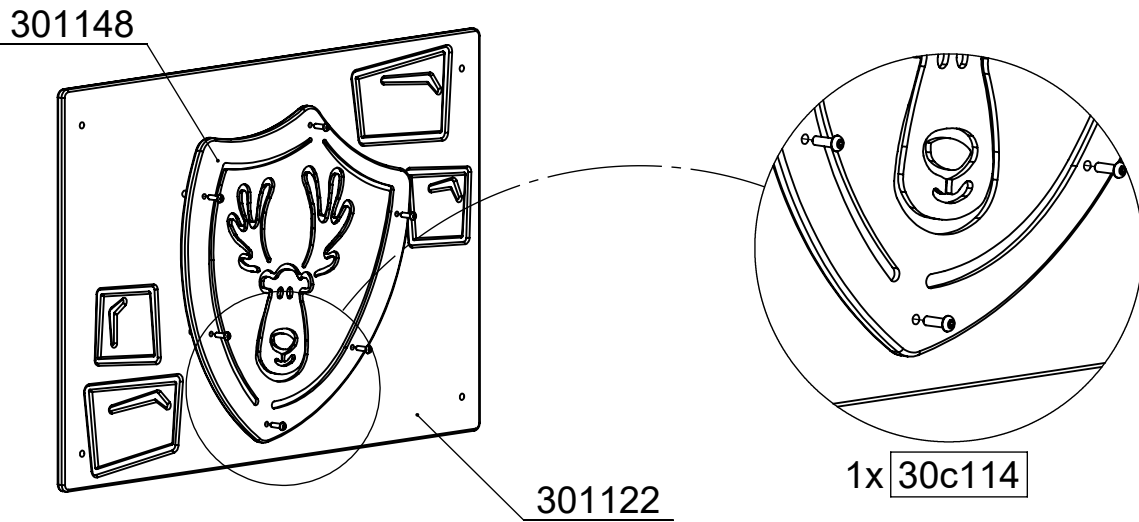
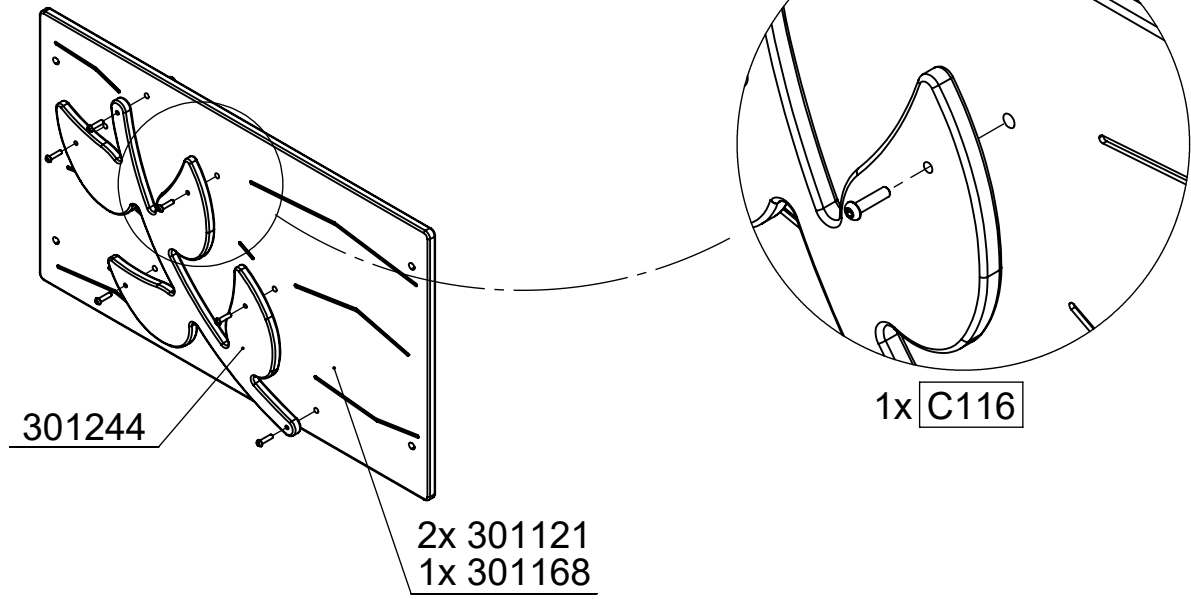


1x 30c114

[cm]

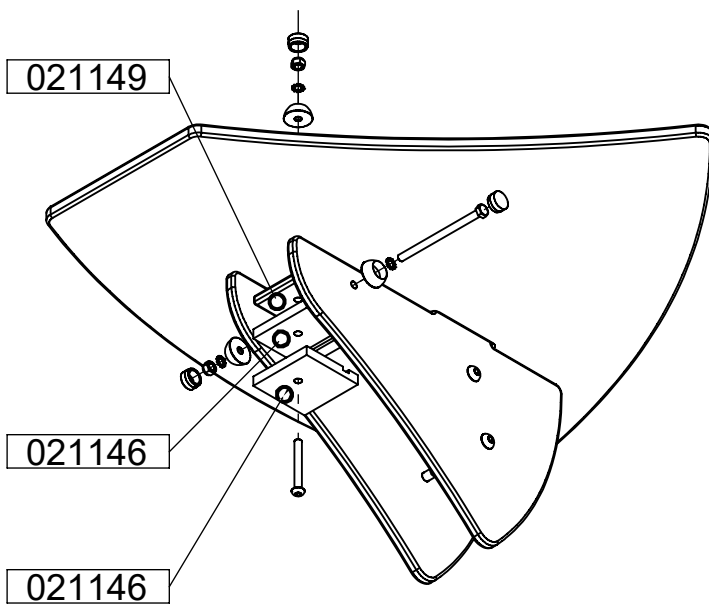
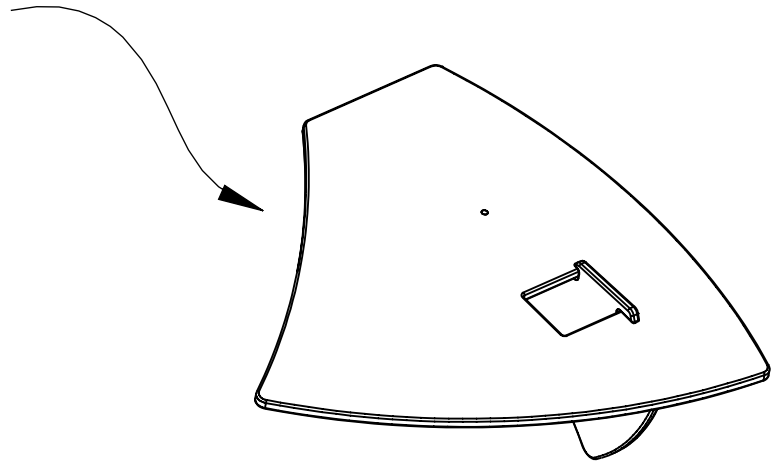
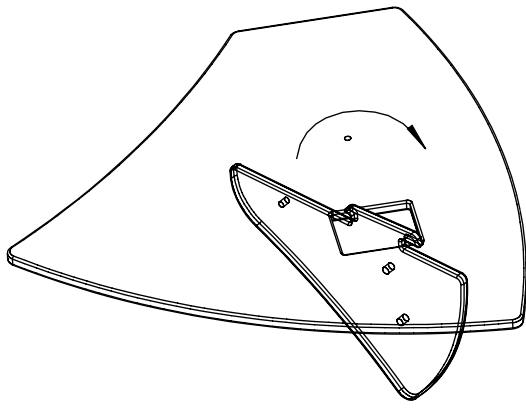
vinci
play

x3

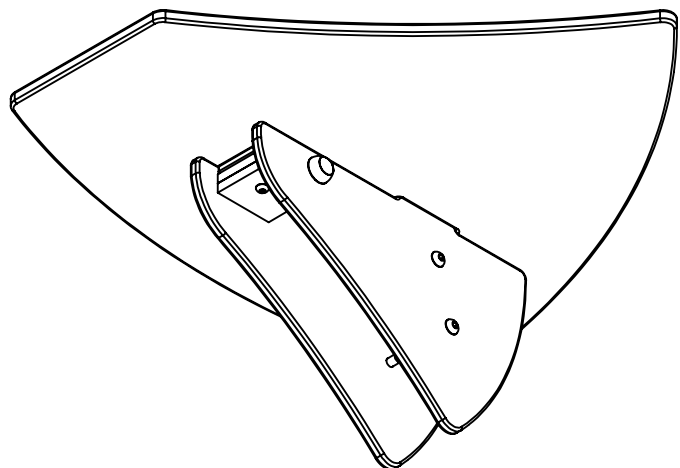


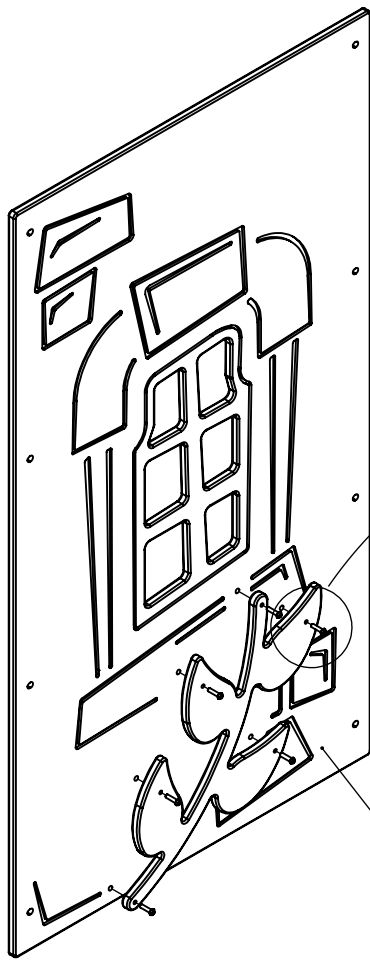
[cm]

vinci
play

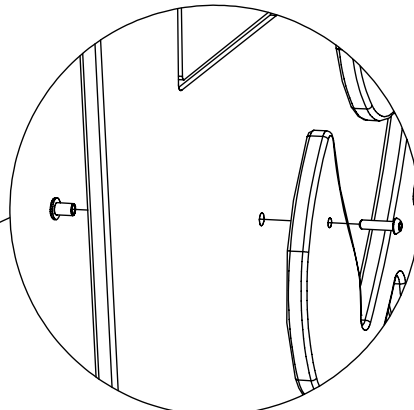


1x 17c032

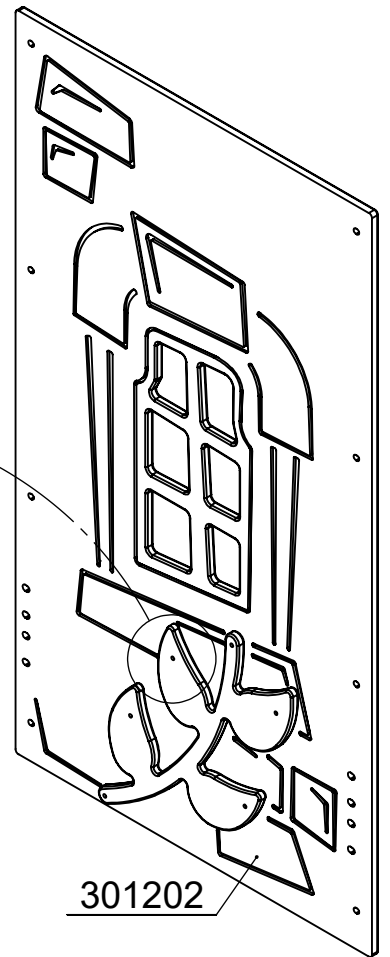




301123

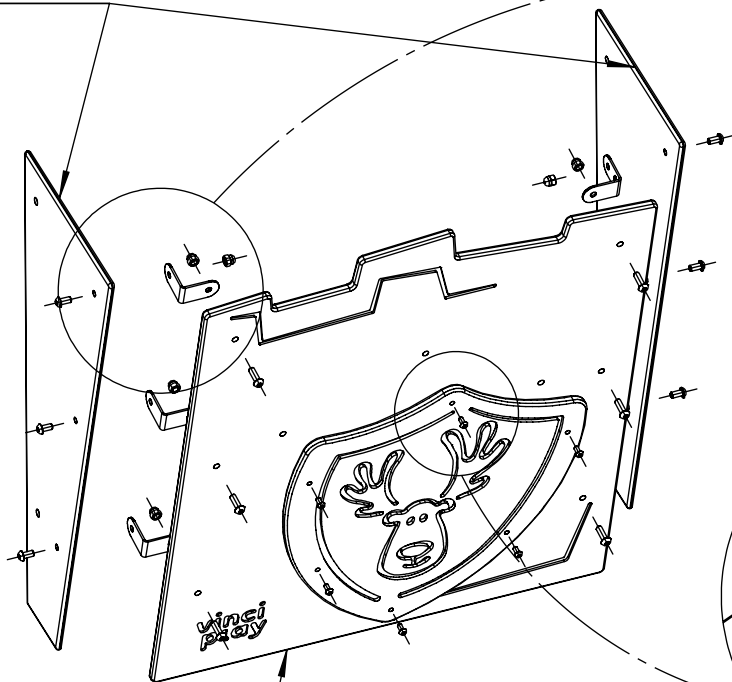


2x C116

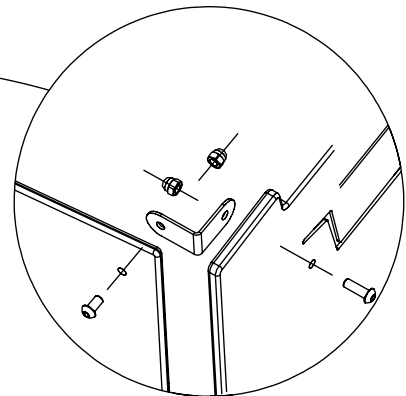


301202

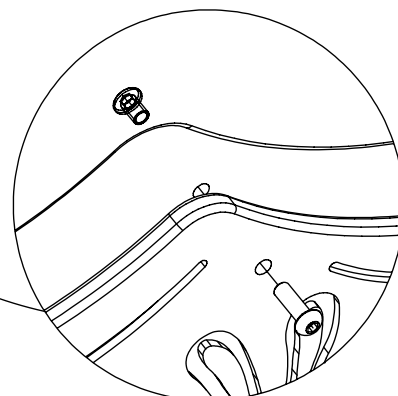
141137



301131



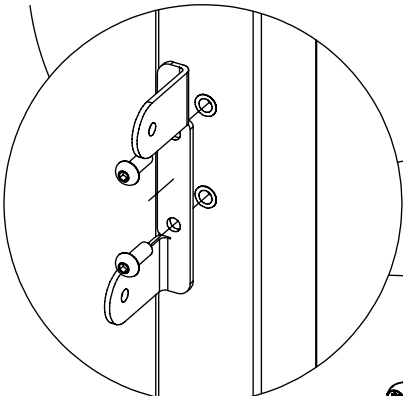
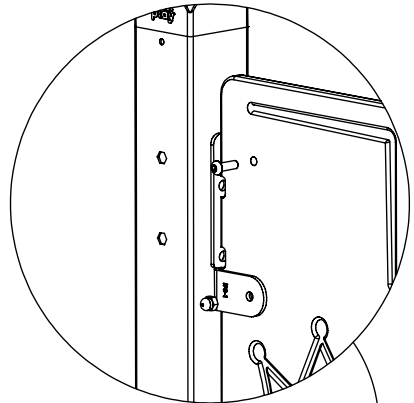
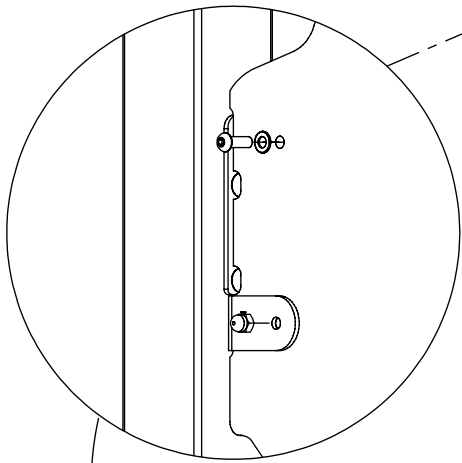
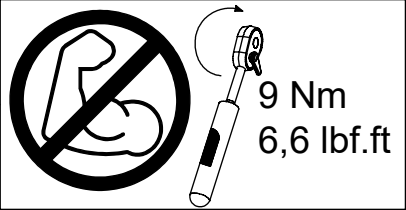
1x 30c012



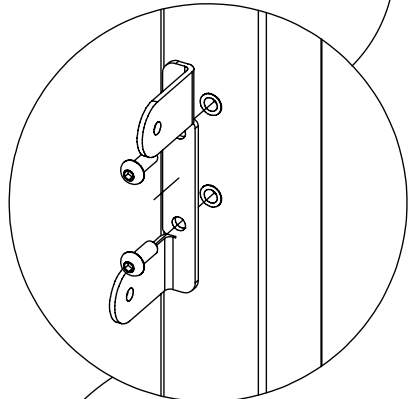
1x 30c114

[cm]

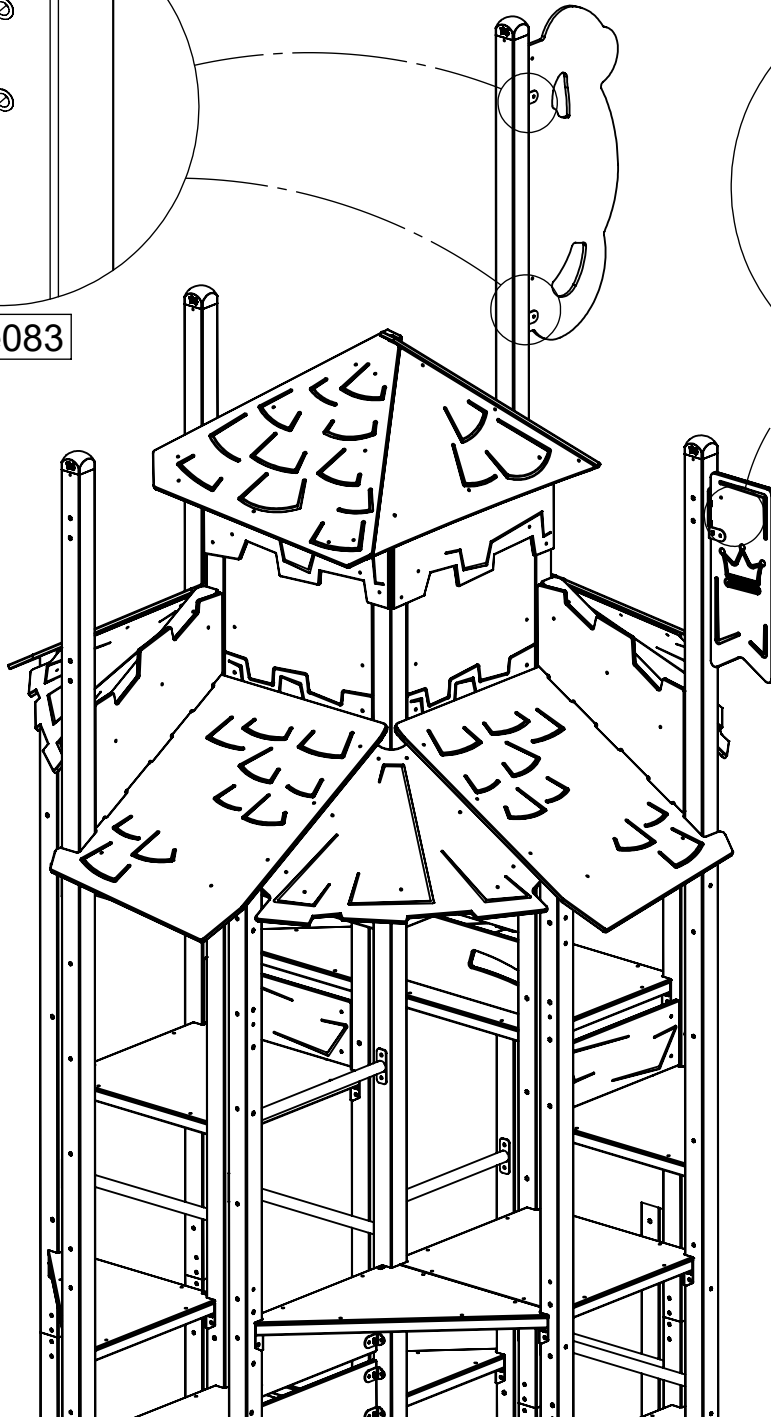
vinci
play



1x 30e083

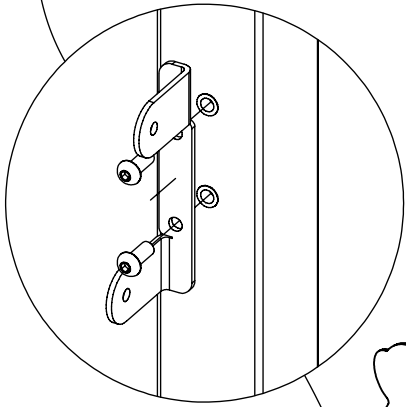
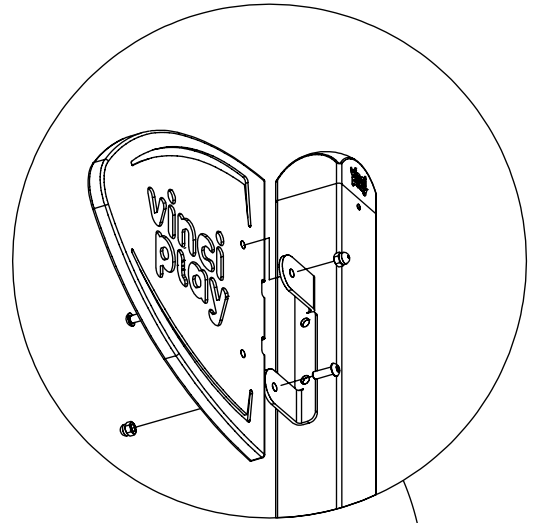
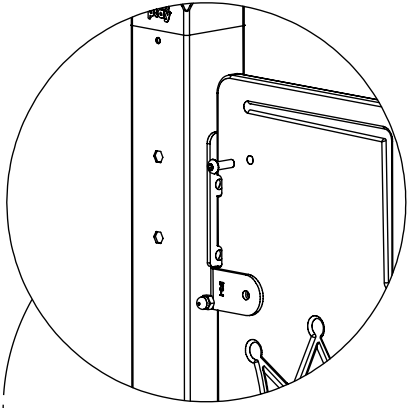


1x E15

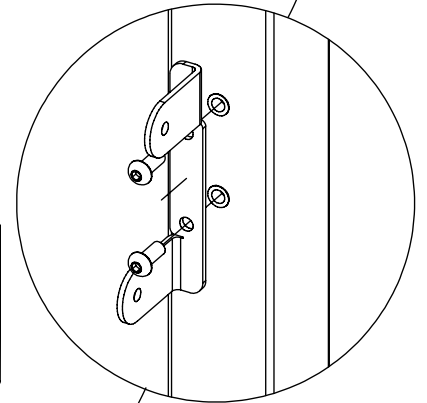


[cm]

vinci
play



1x E15

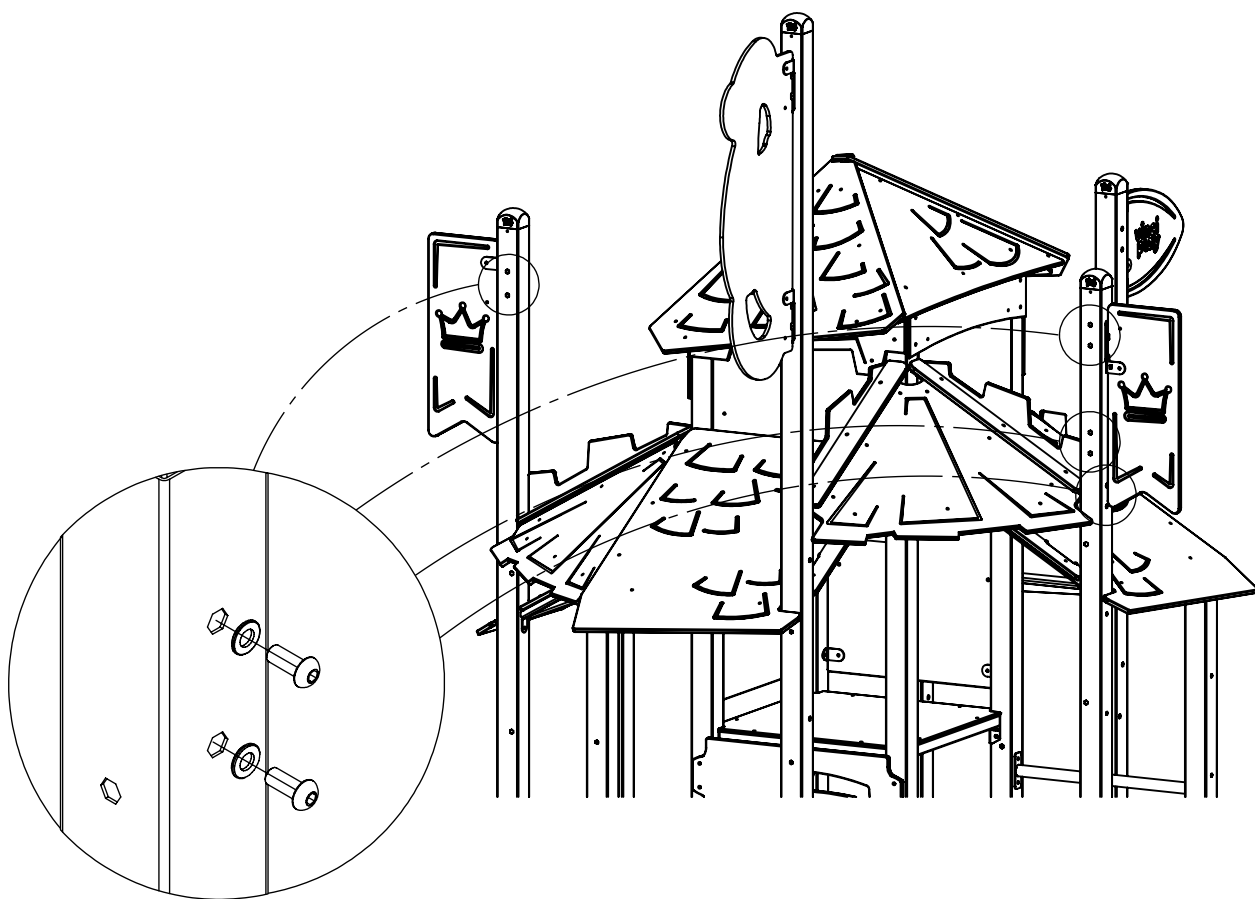


1x E15

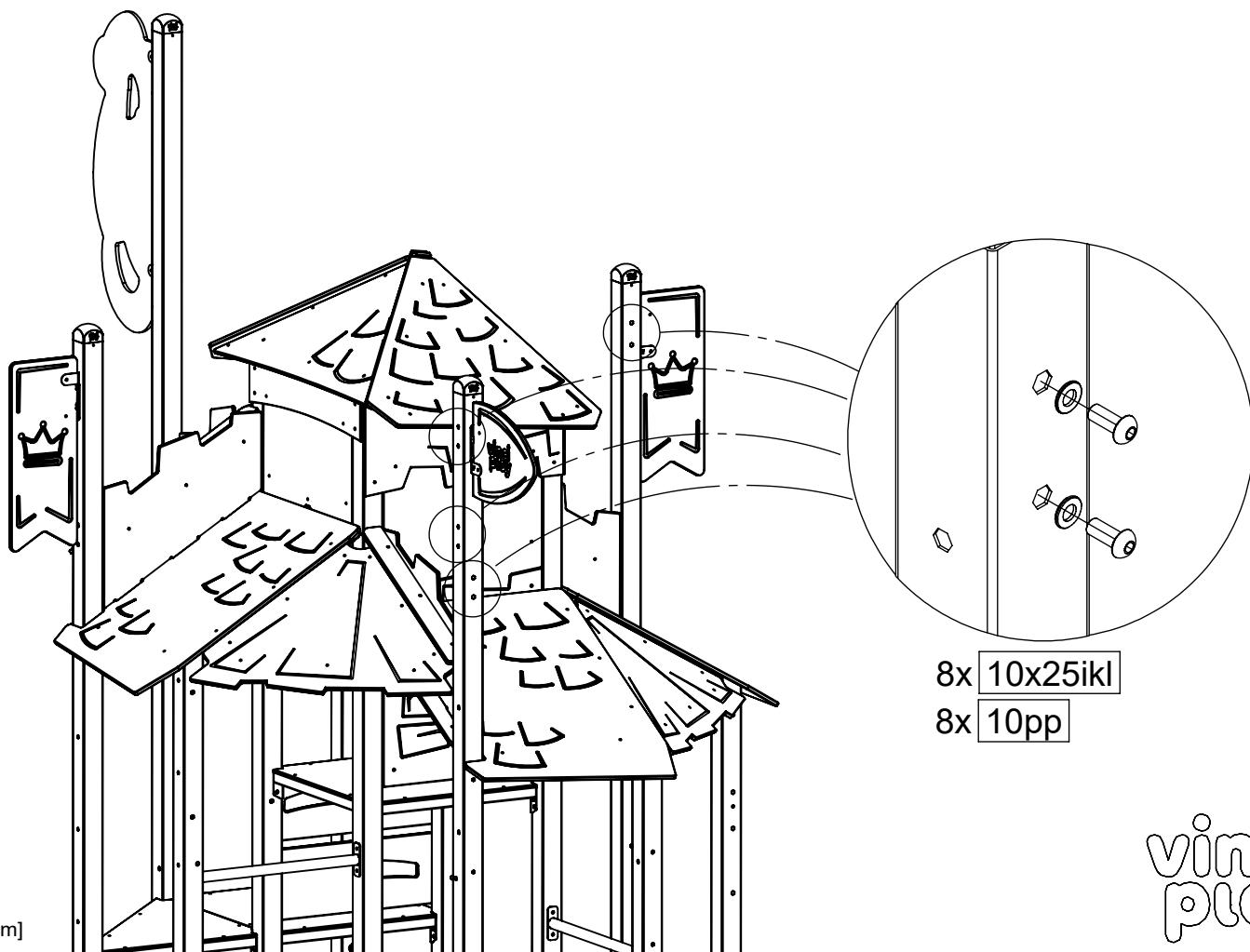


[cm]

vinci
play



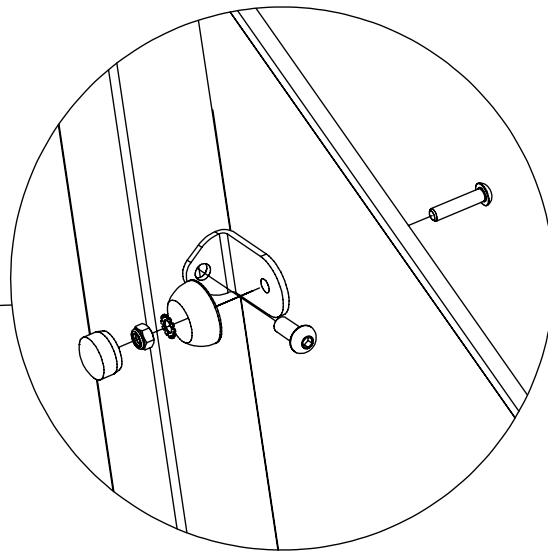
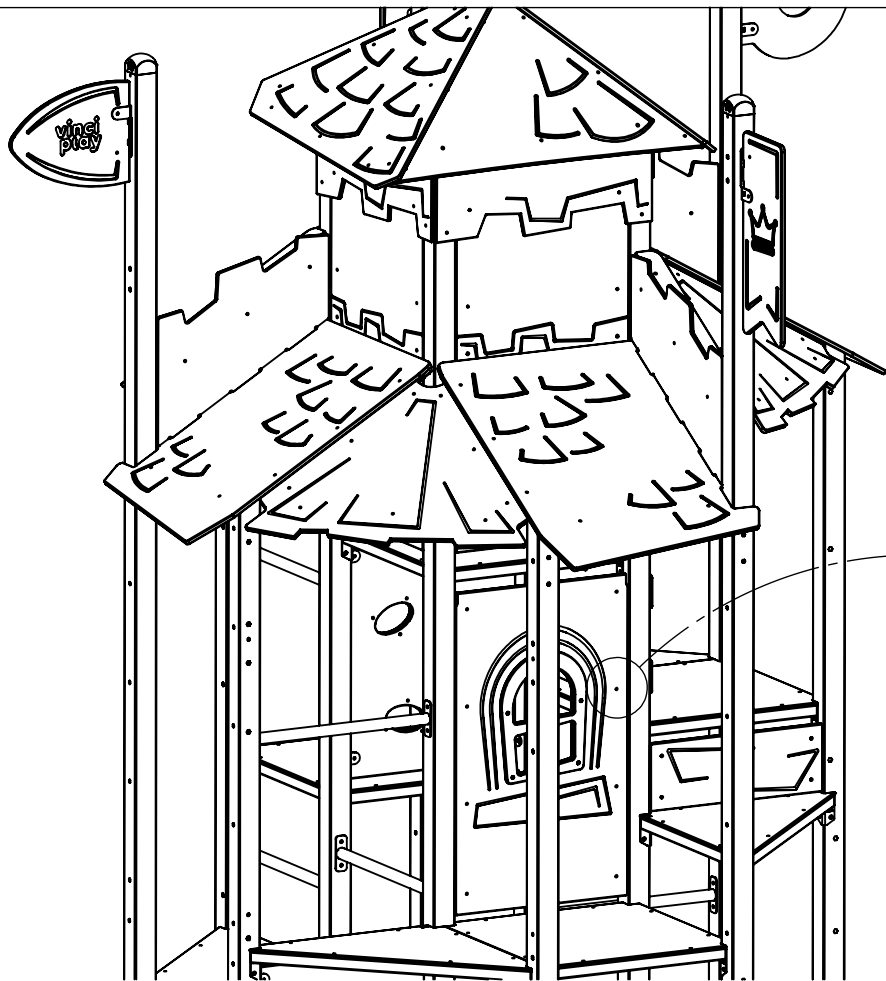
8x 10x25ikl
8x 10pp



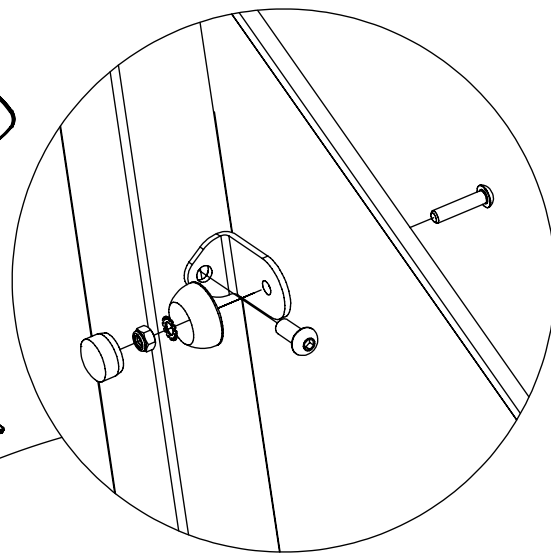
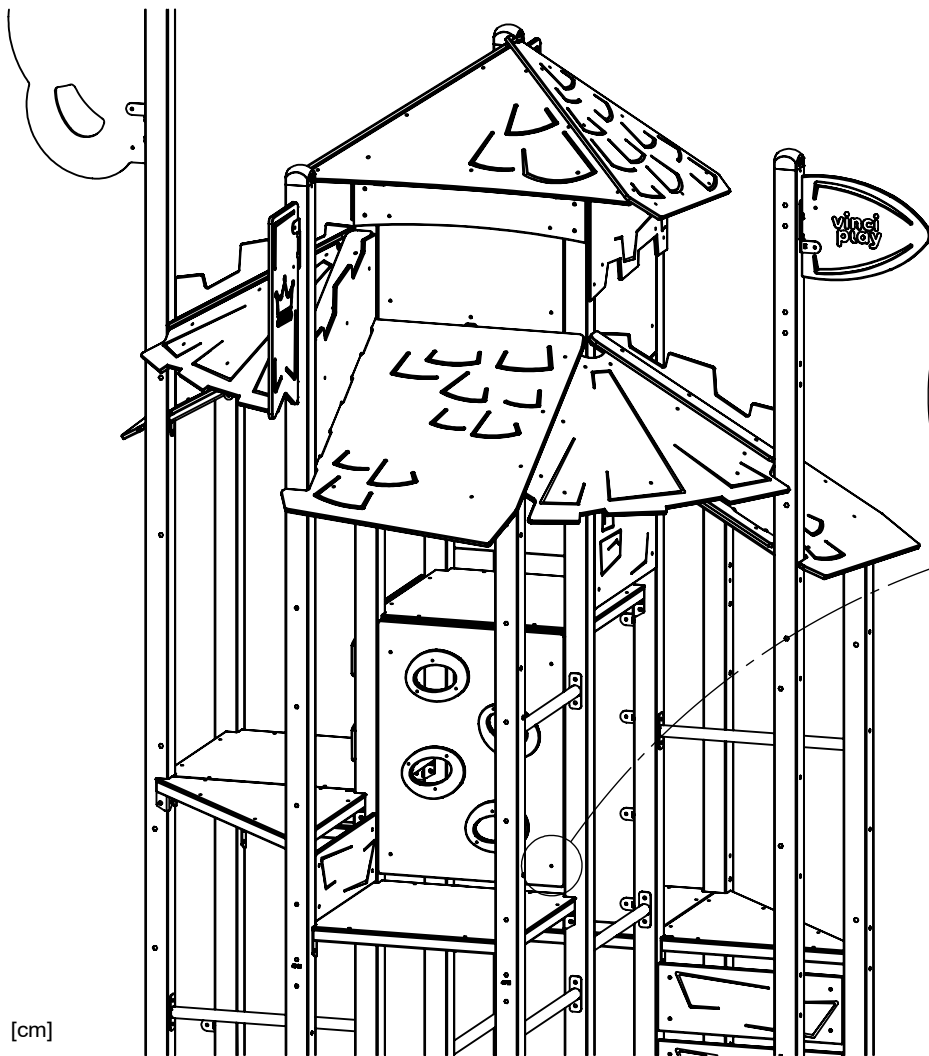
8x 10x25ikl
8x 10pp

[cm]

vinci
play



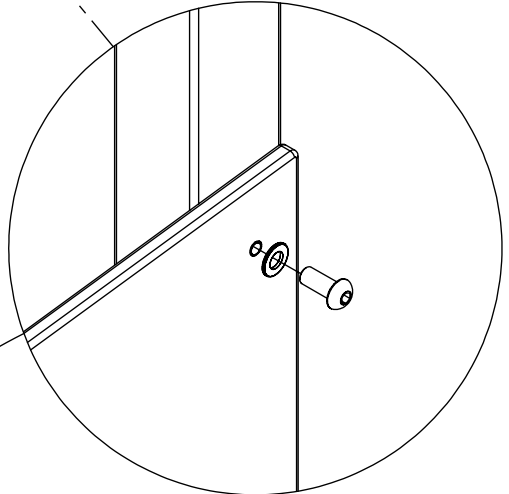
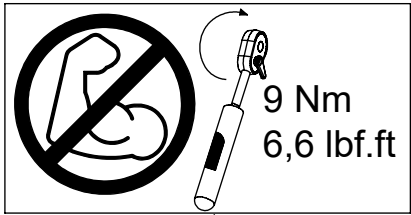
2x 17c004



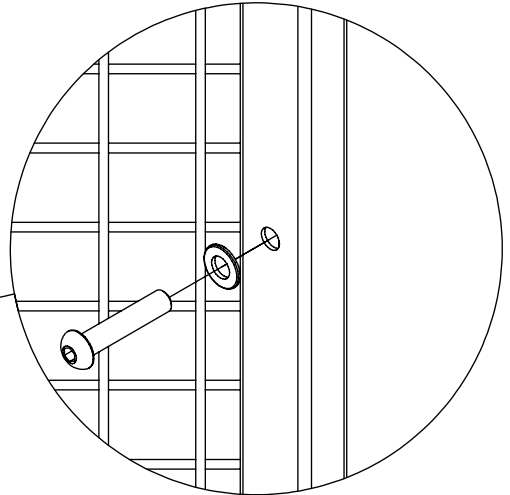
1x 30c002

[cm]

vinci
play

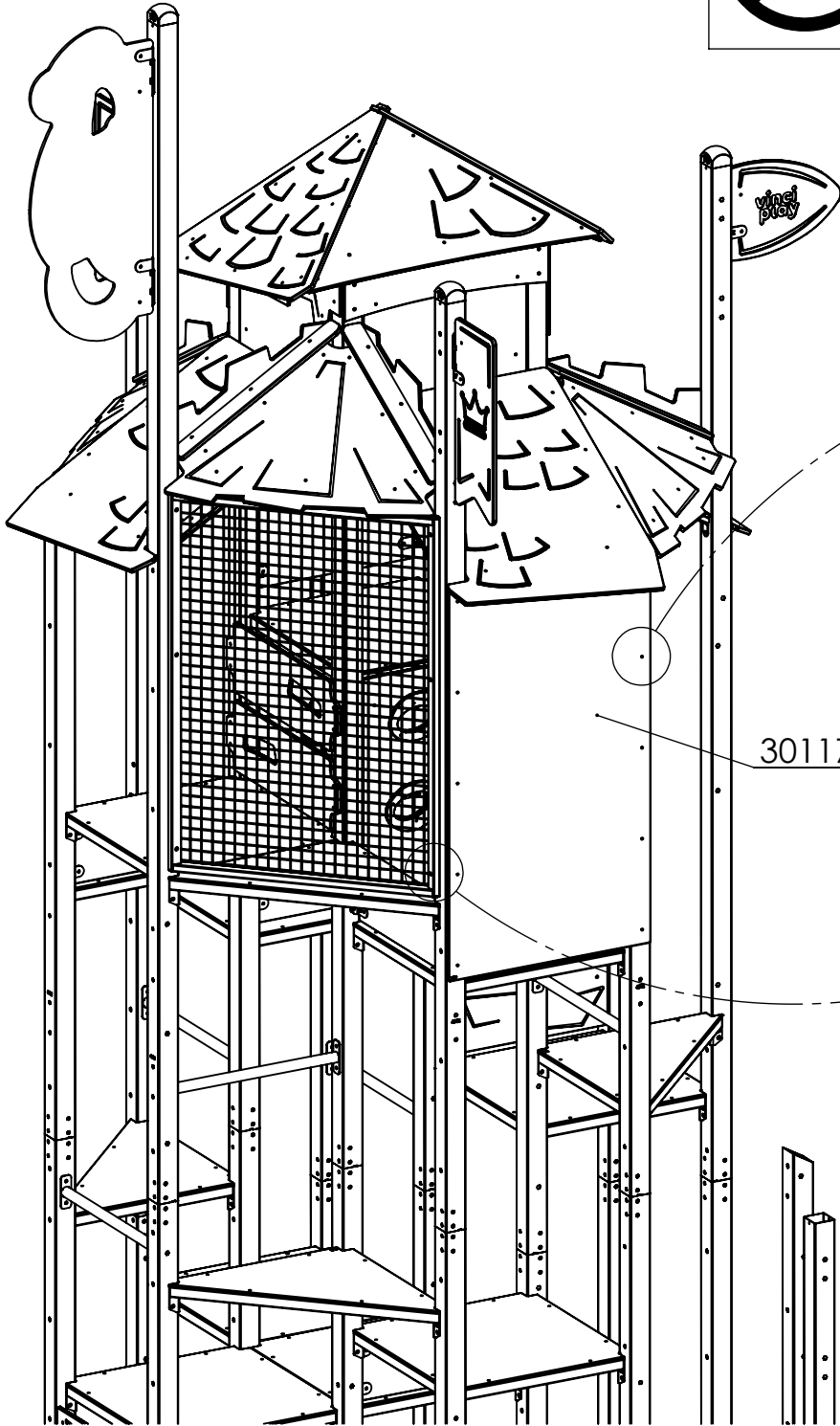


10x 8x25ikl
10x 8pp



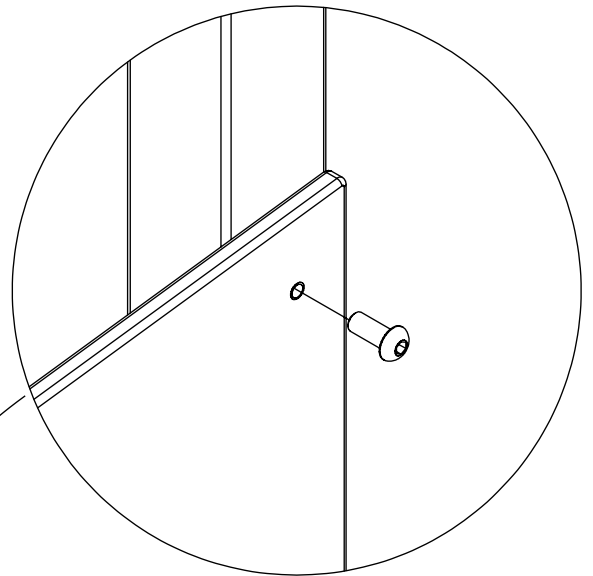
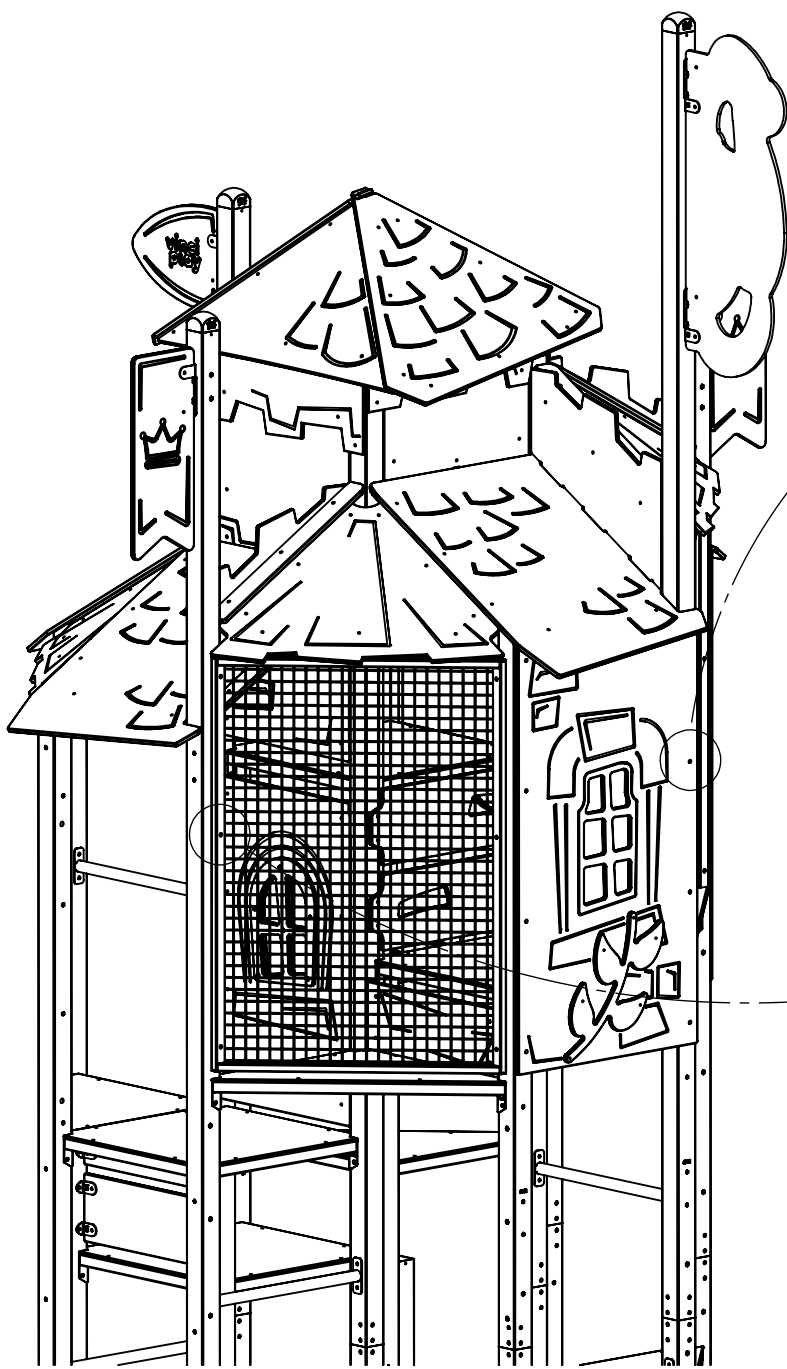
1x 30e032

301172

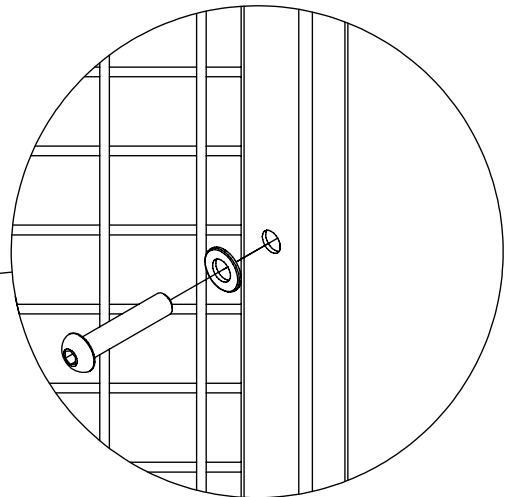


[cm]

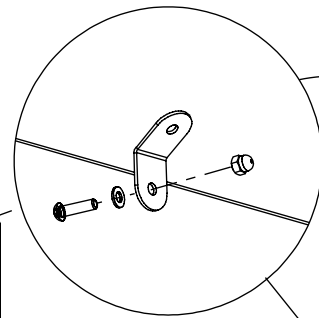
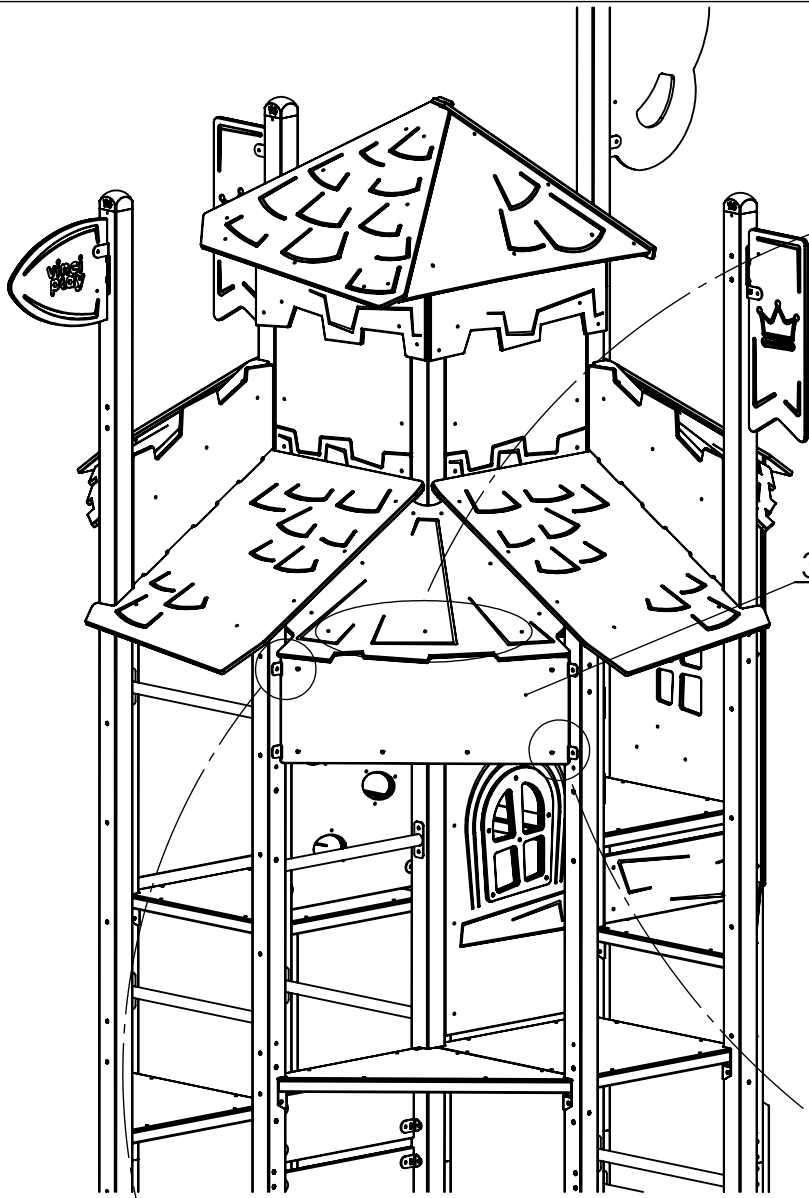
vinci
play



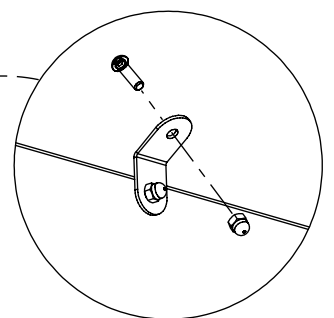
8x 8x30iKl



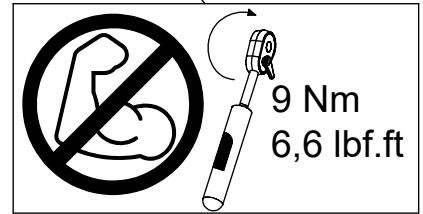
1x 30e032



1x 30e080



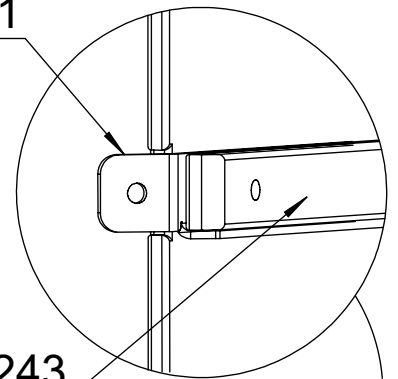
30c148



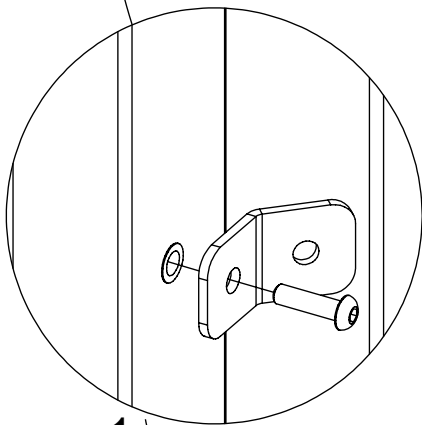
9 Nm
6,6 lbf.ft

301106

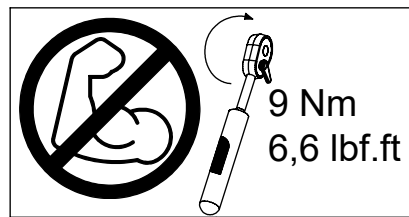
i391



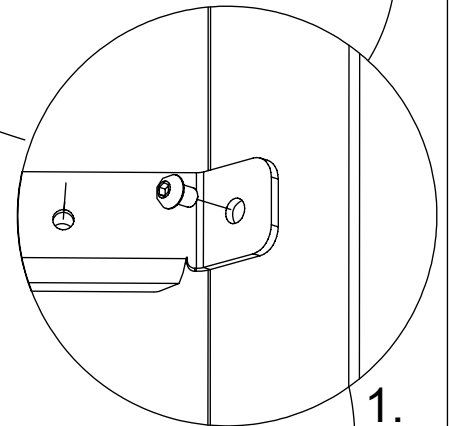
301243



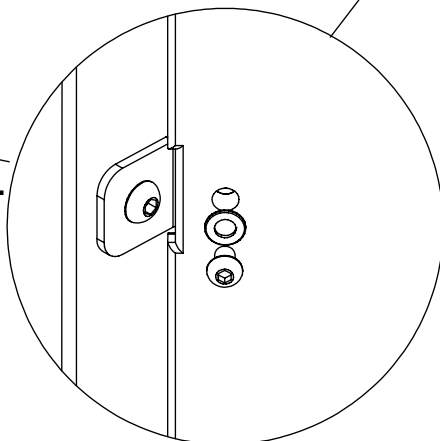
1.



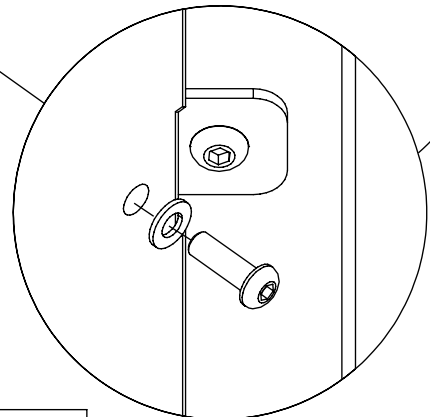
9 Nm
6,6 lbf.ft



1.



2.

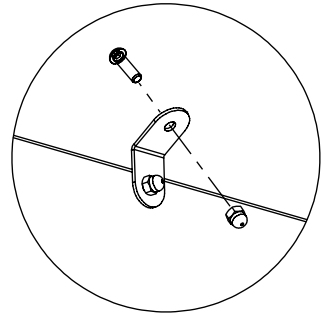
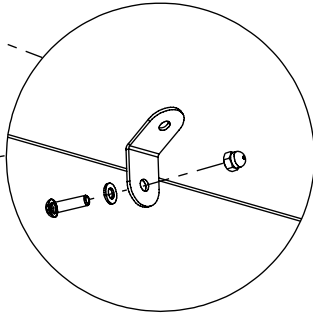
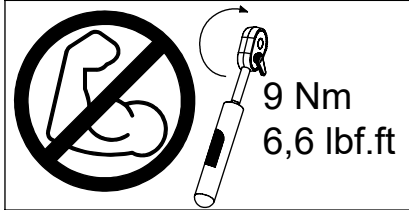


2.

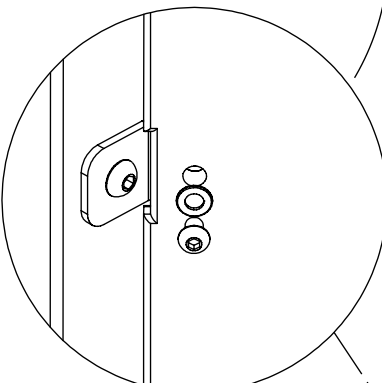
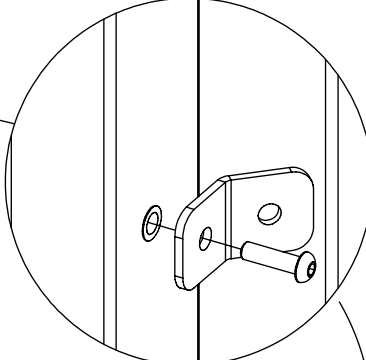
1x 30e084

[cm]

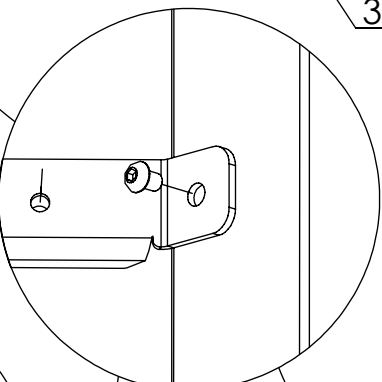
vinci
play



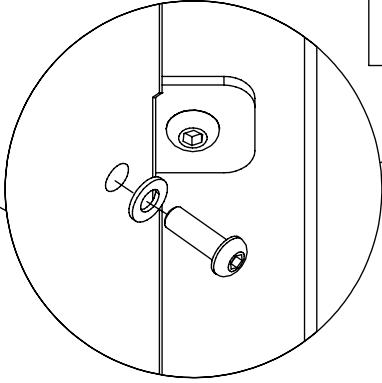
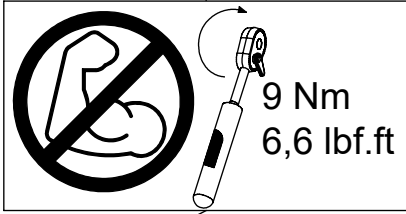
30c148



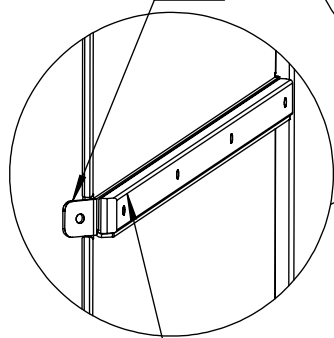
301162



1x 30e054



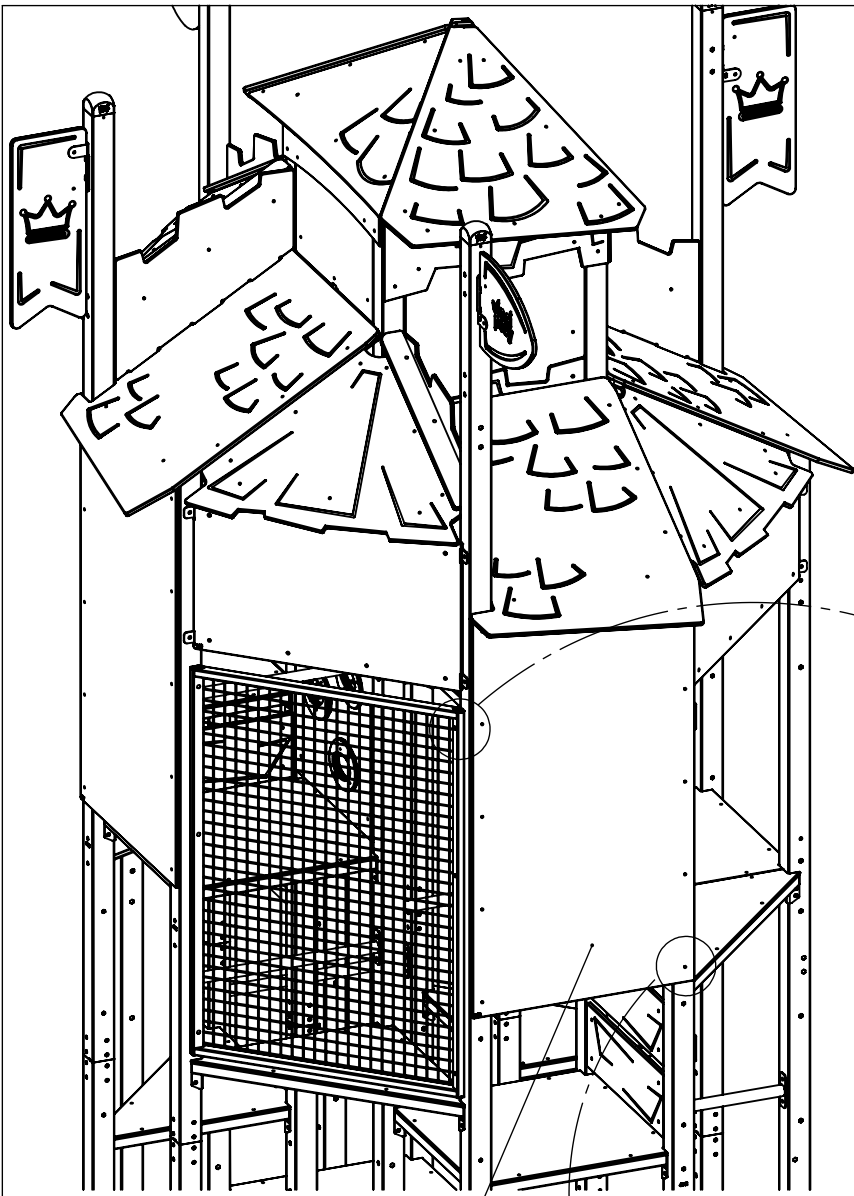
i391



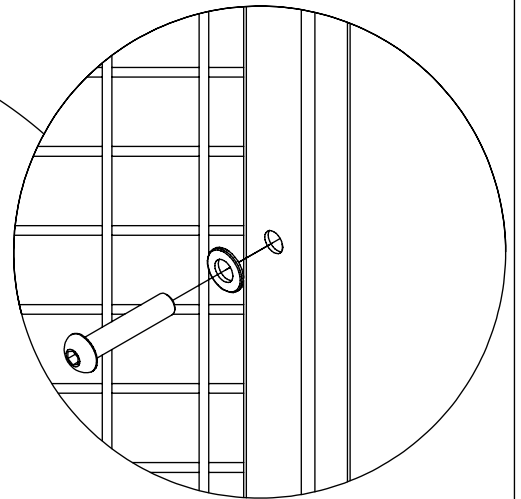
301243

[cm]

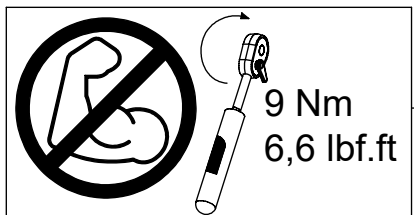
vinci
play



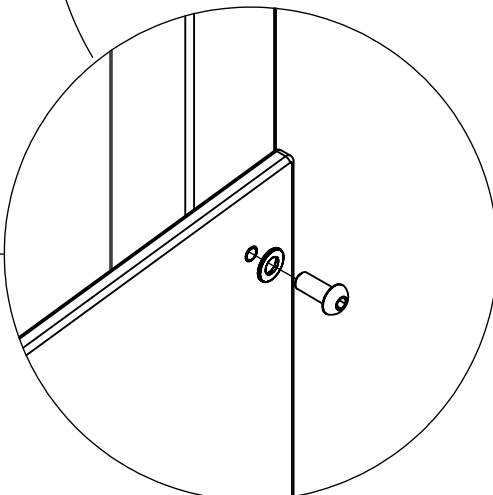
301138

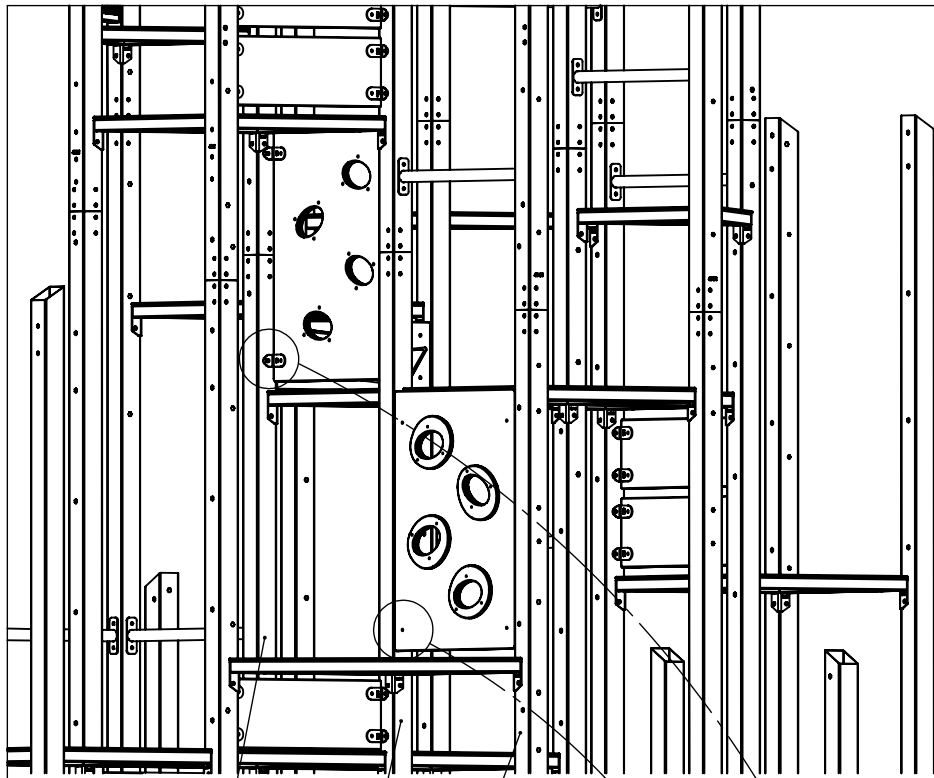


1x 30e032



9 Nm
6,6 lbf.ft

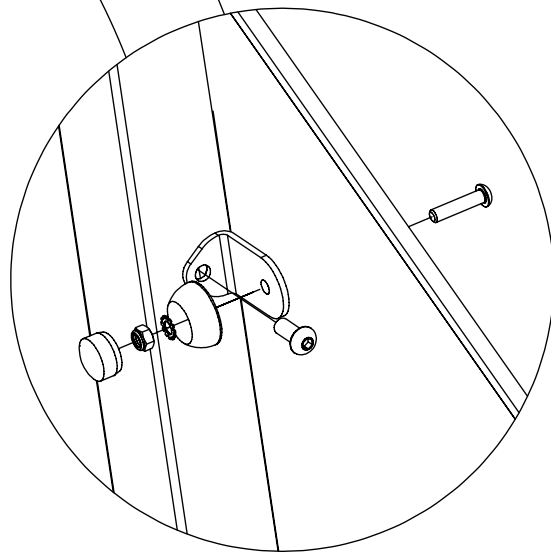




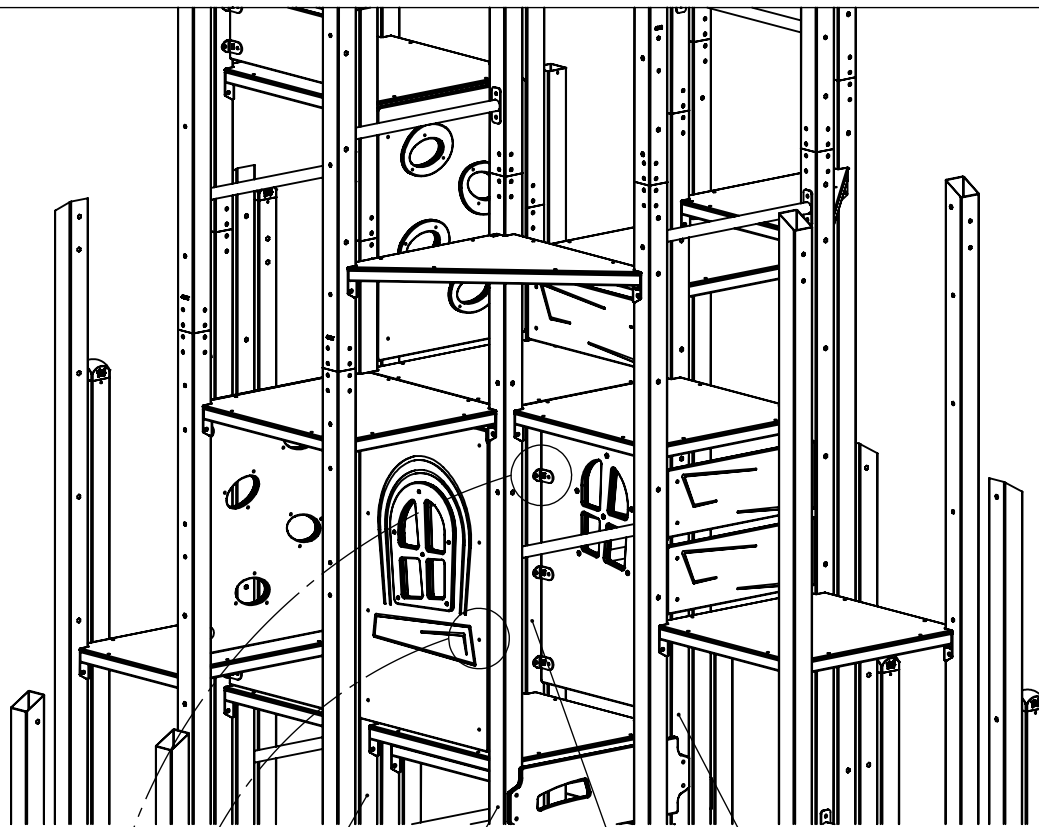
45N

45H

45C



2x 30c002

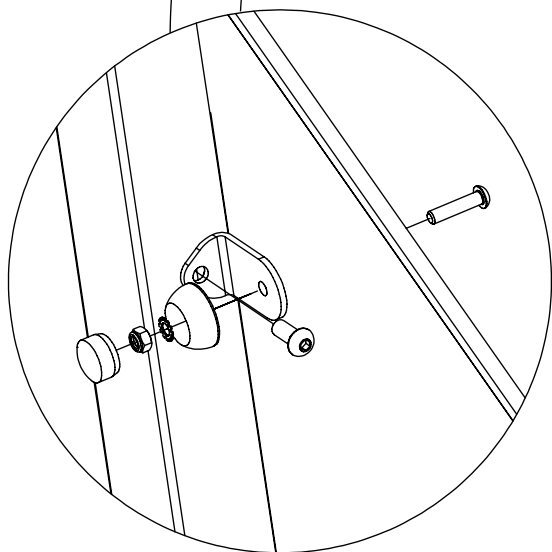


45H

45G

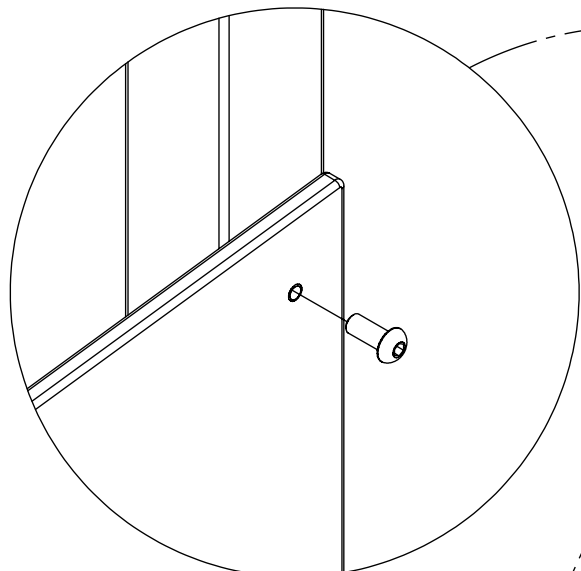
45N

45O

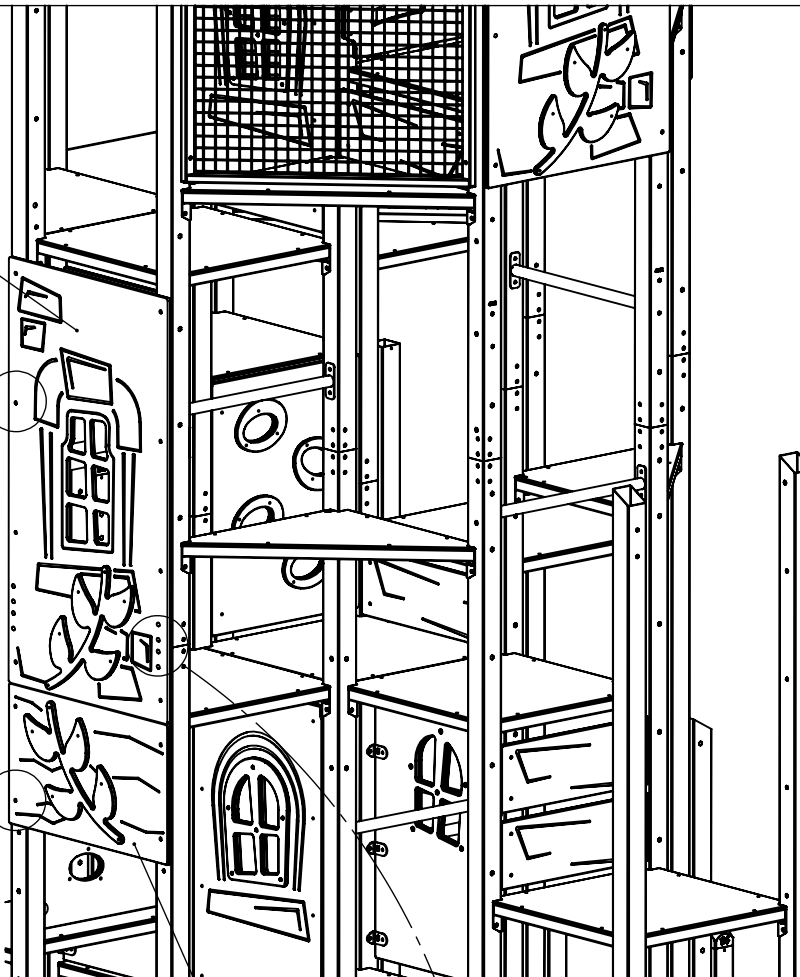


4x 17c004

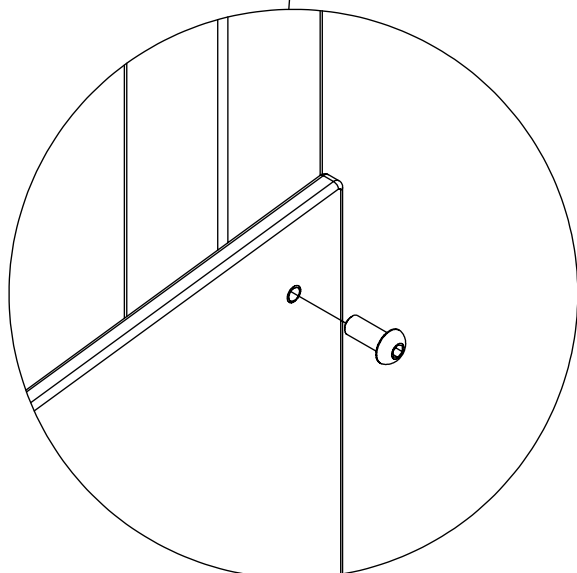
301202



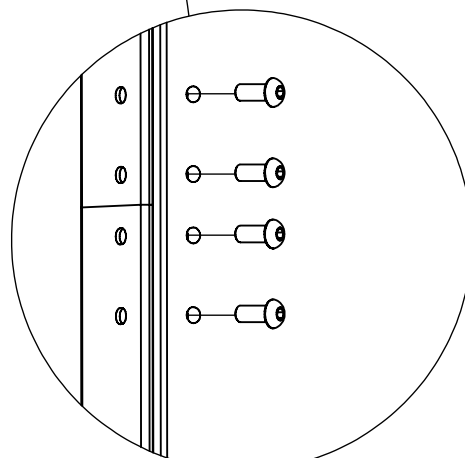
8x 8x30ikl



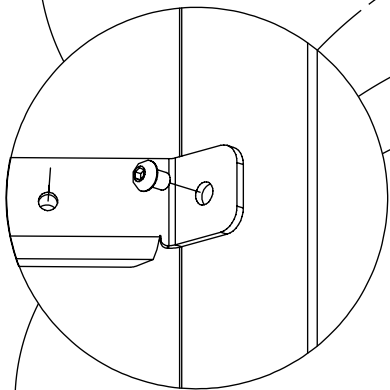
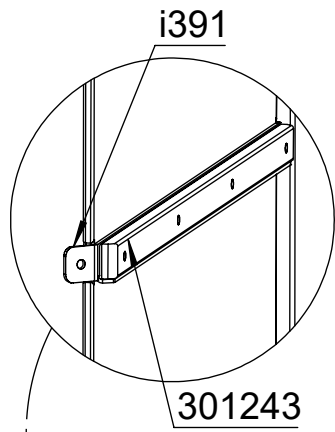
301121



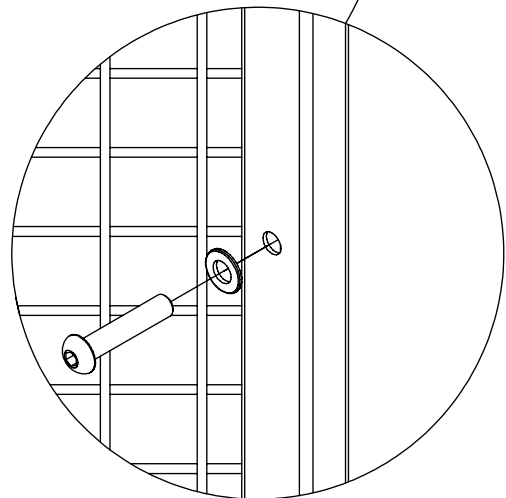
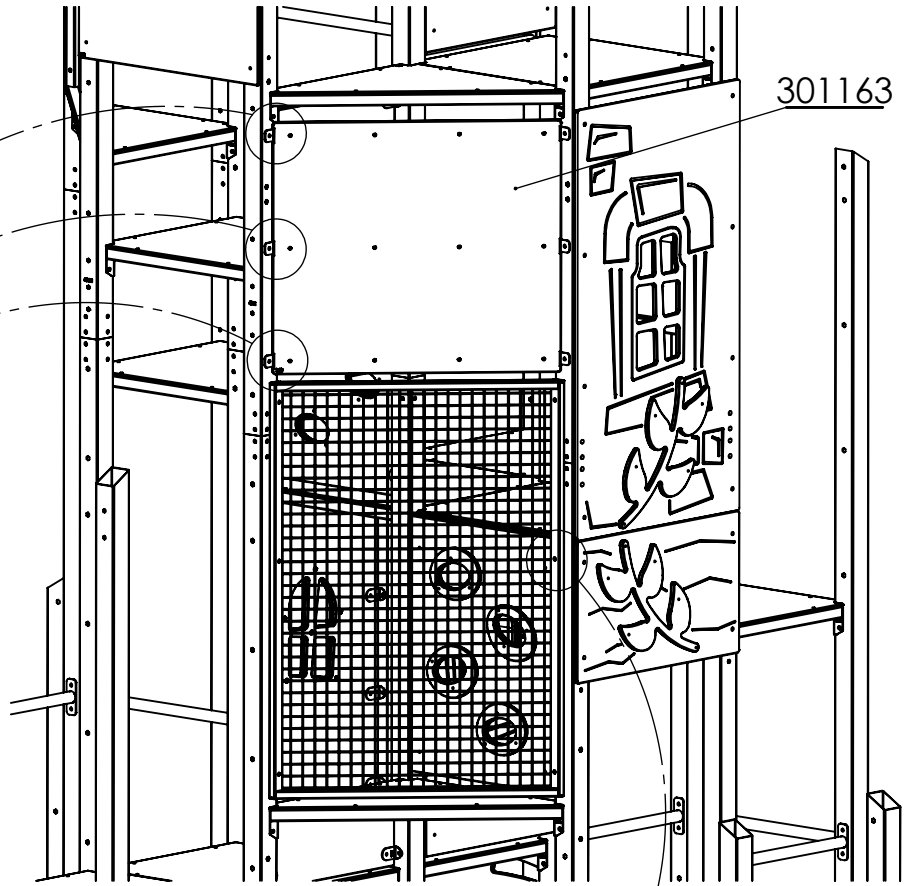
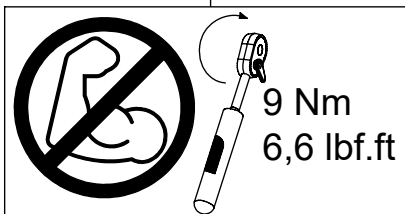
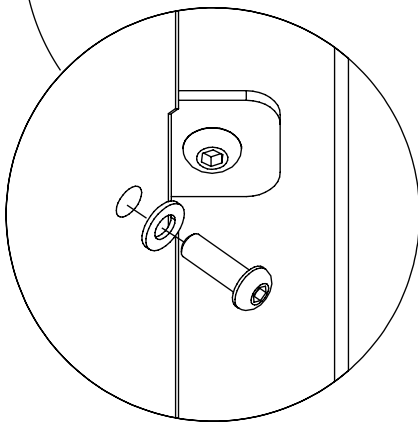
4x 8x30ikl



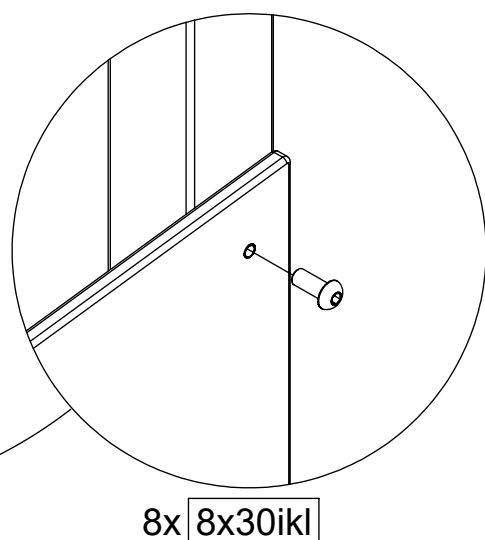
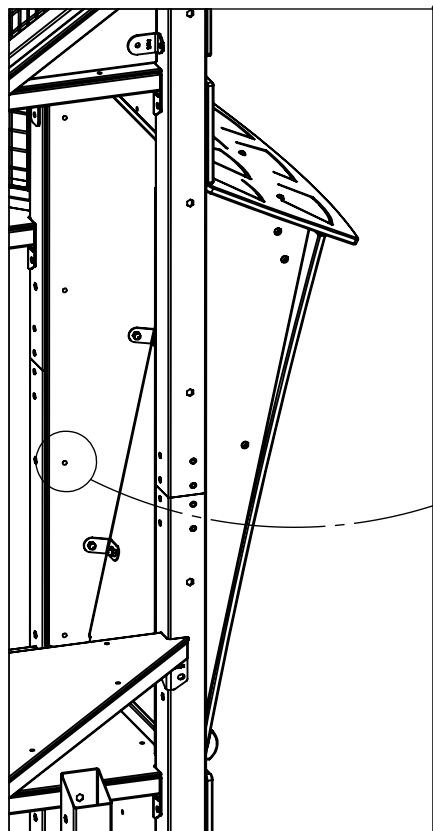
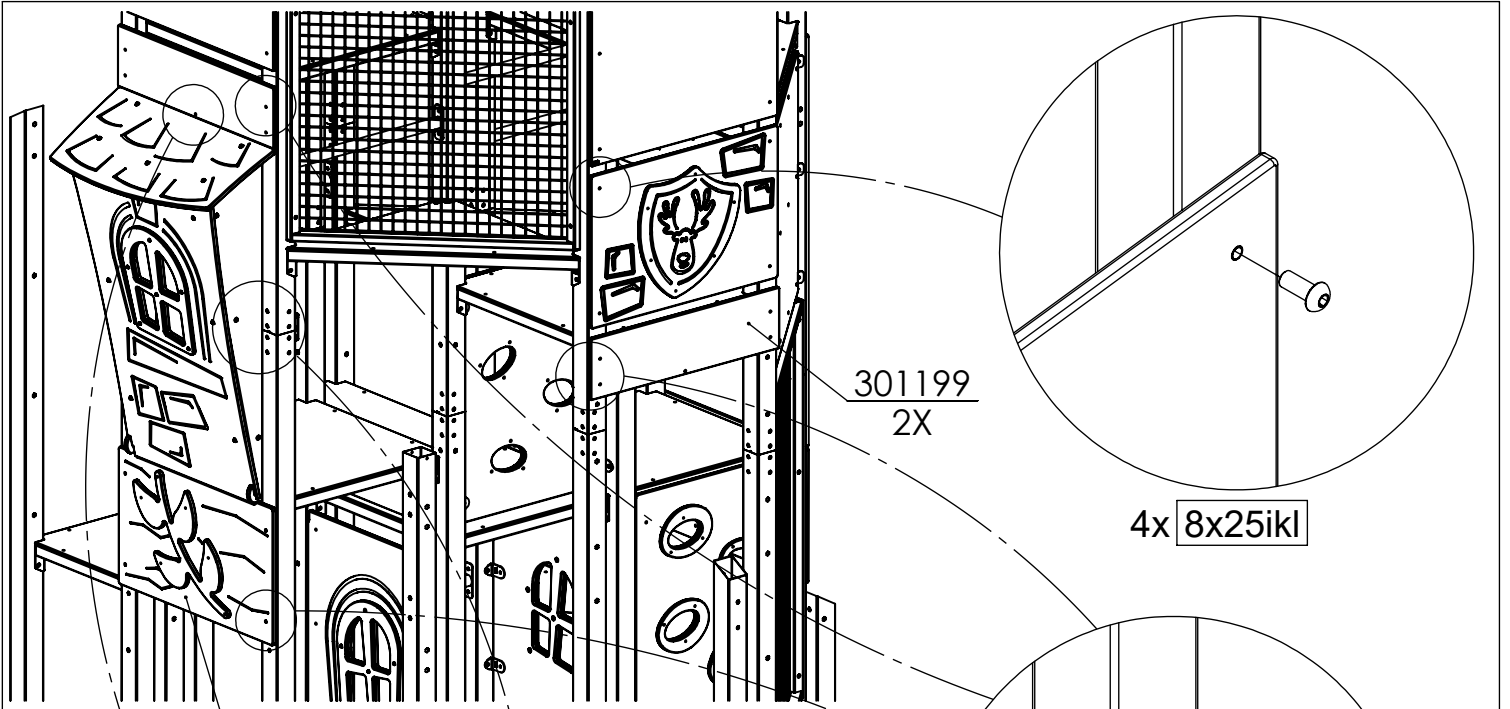
8x 10x40ikl

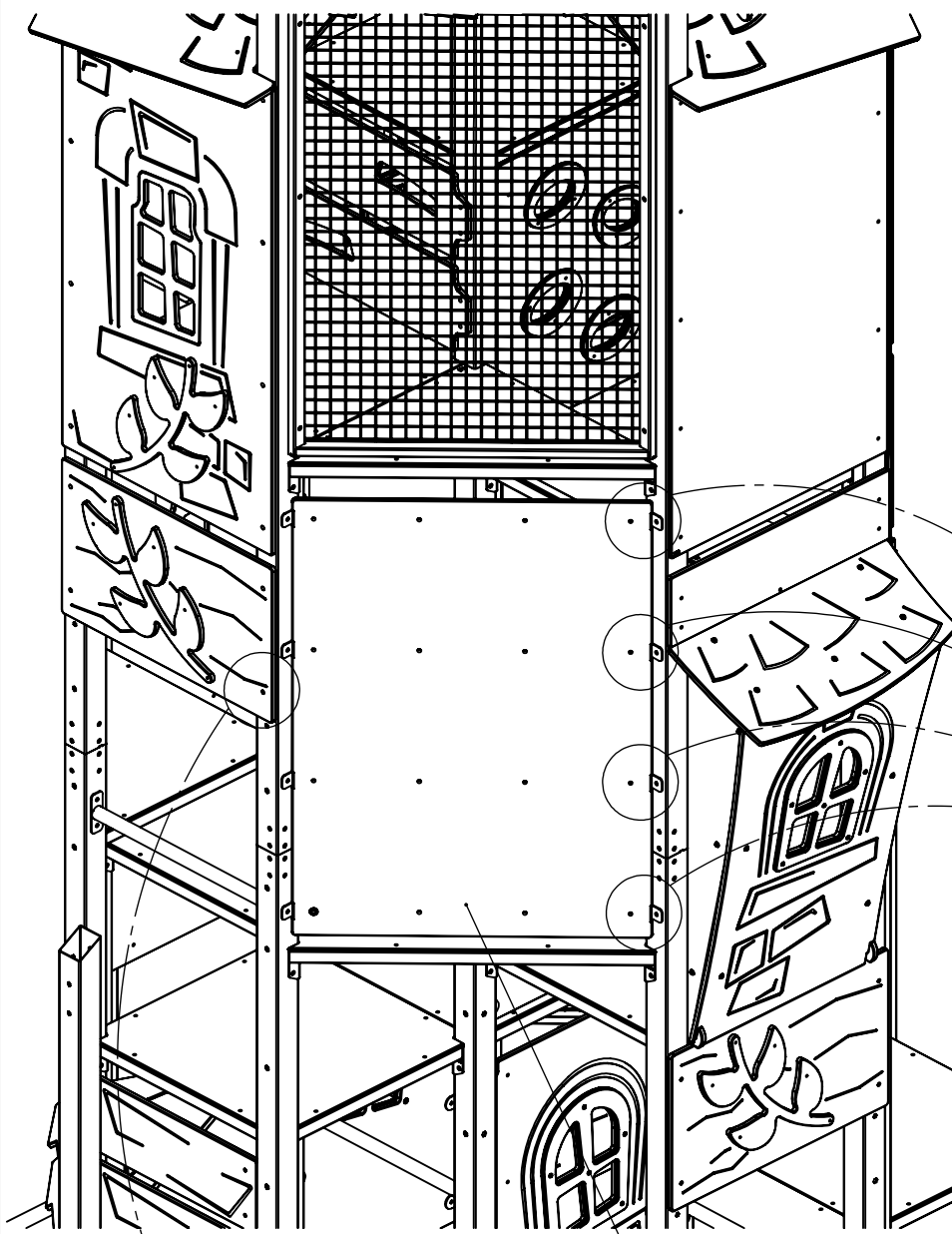


1x 30e071

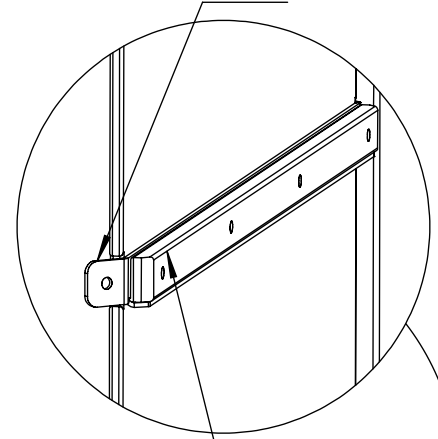


1x 30e032

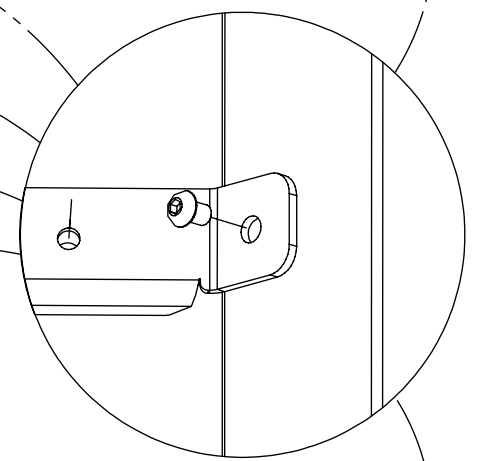




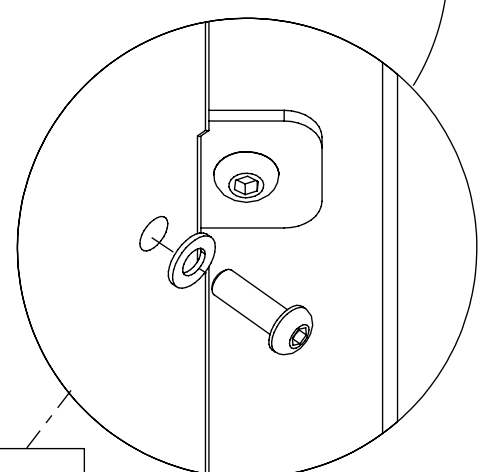
i391



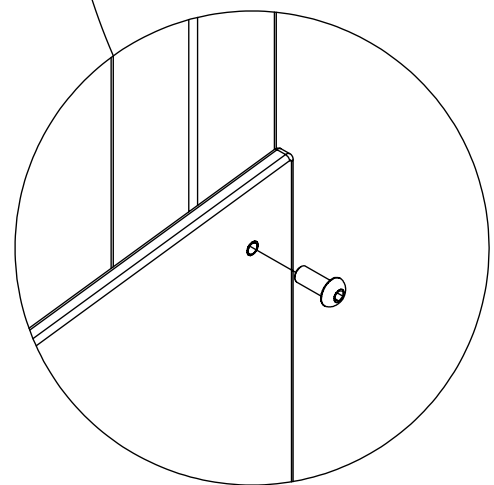
301243



1x 30e072



301250

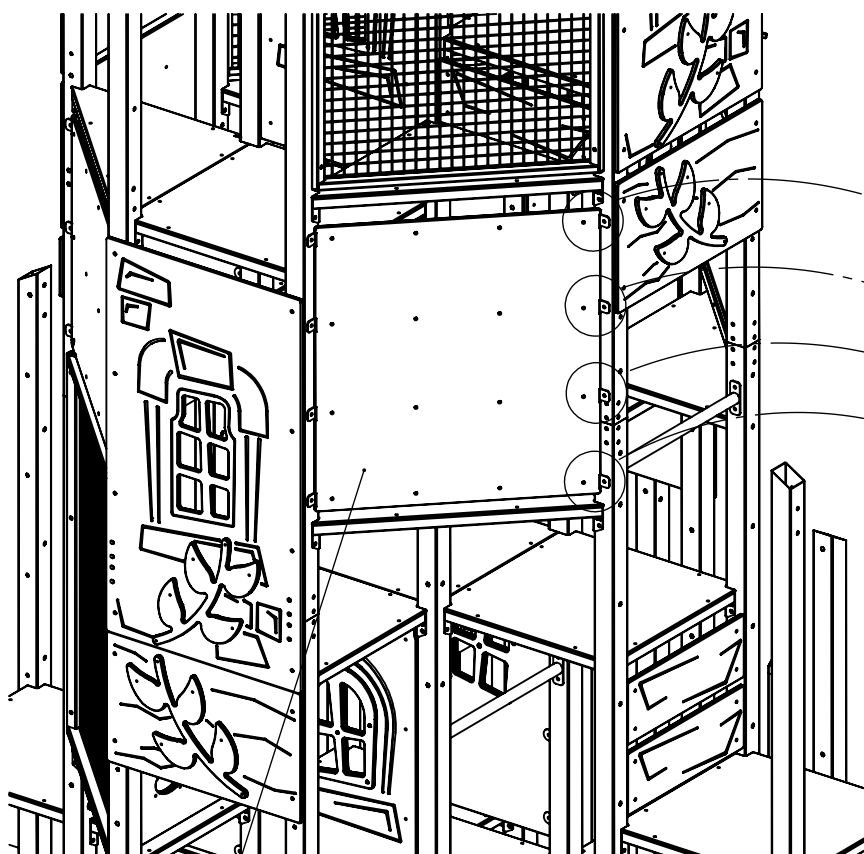


4x 8x30i|kl

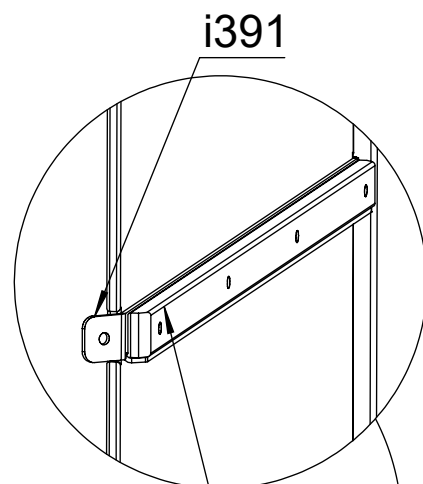
9 Nm
6,6 lbf.ft

[cm]

vinci
play

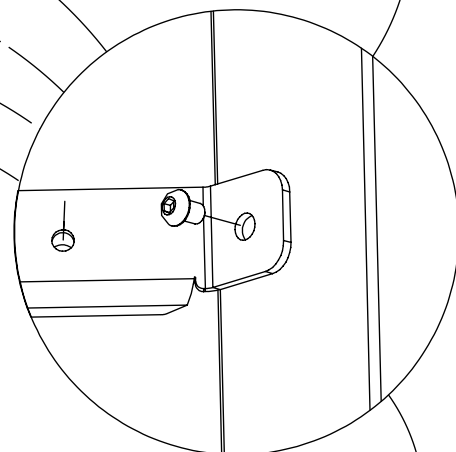


301153

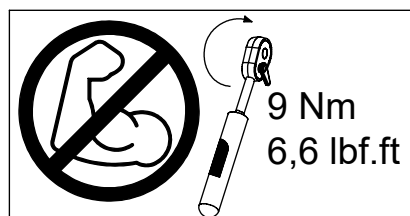


i391

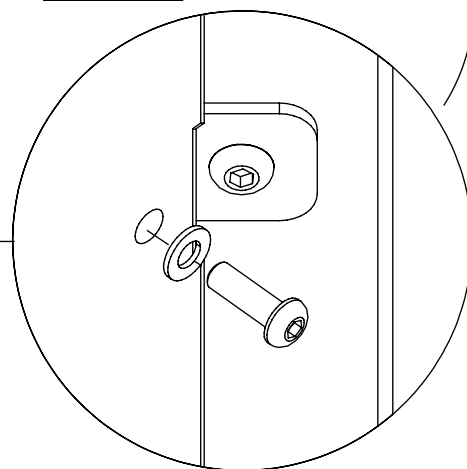
301243

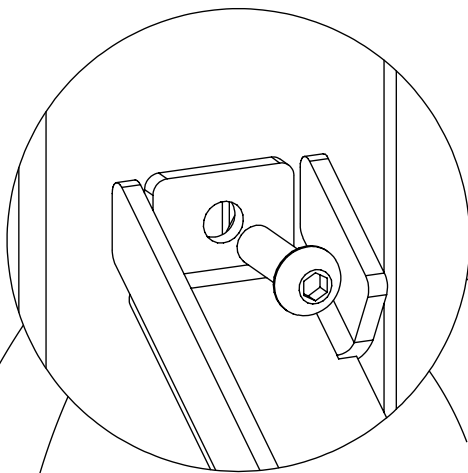


1x 30e072

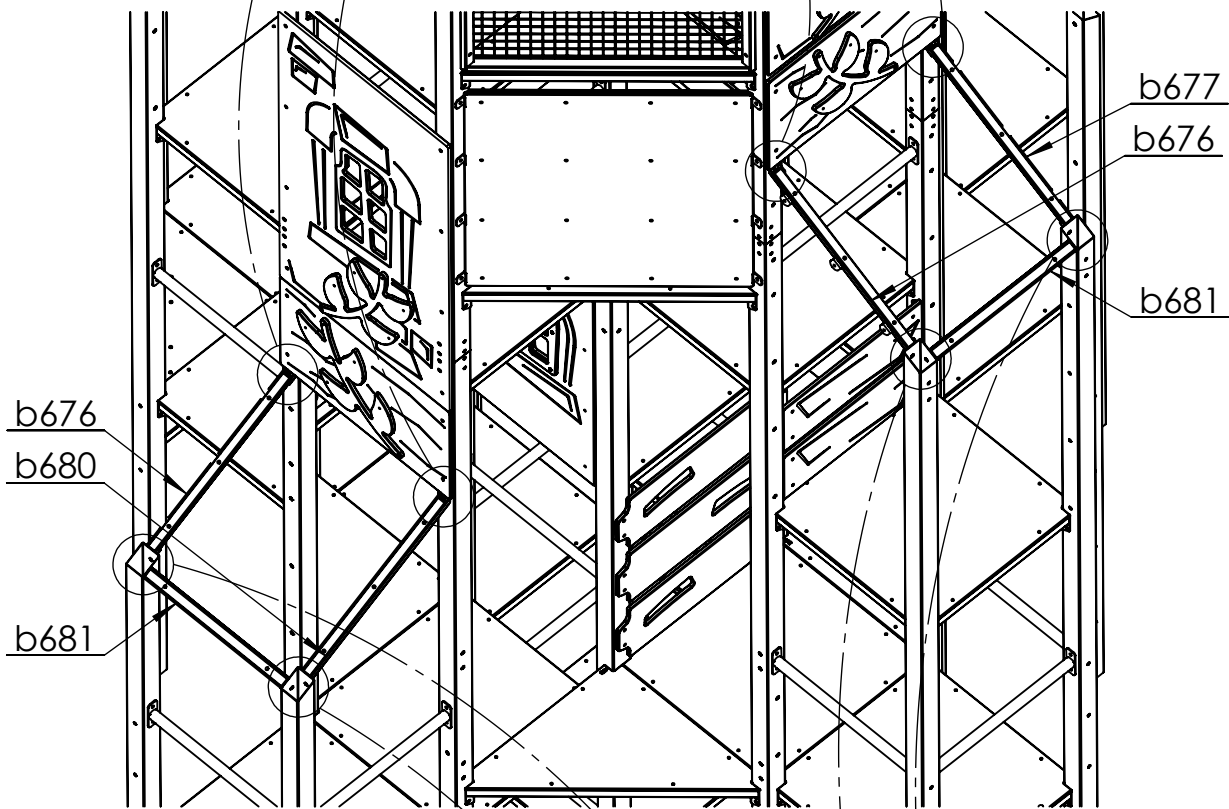


9 Nm
6,6 lbf.ft



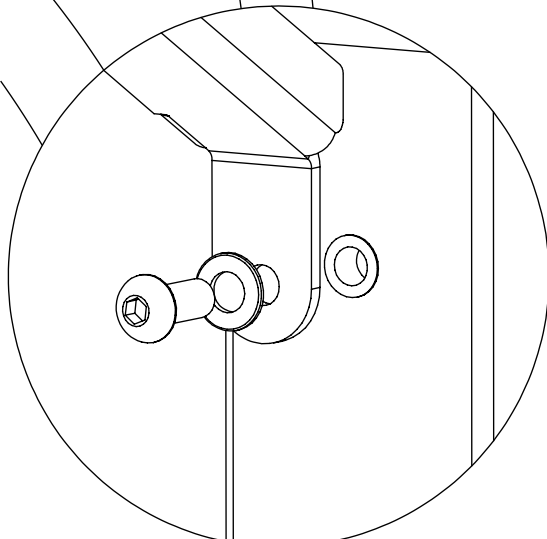
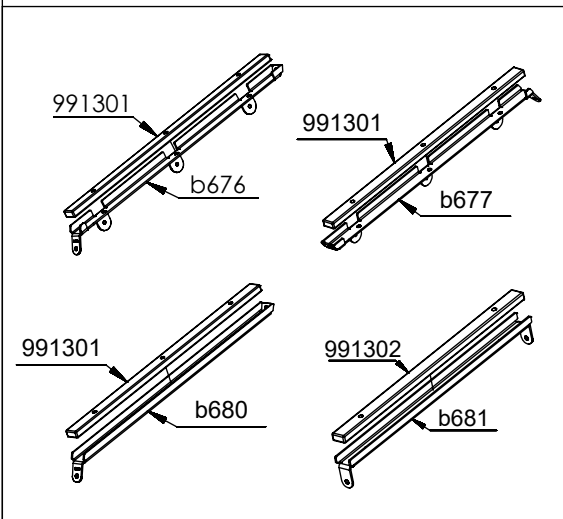


4x 8x25ikl



b677
b676
b681

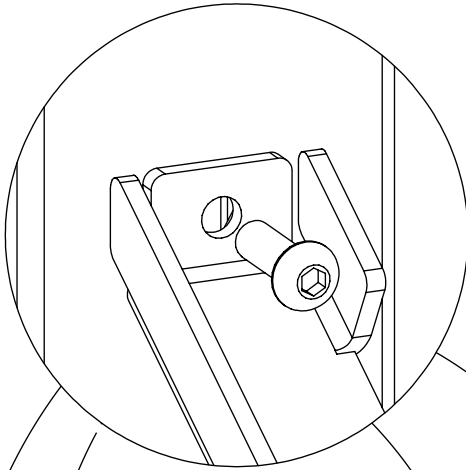
b676
b680
b681



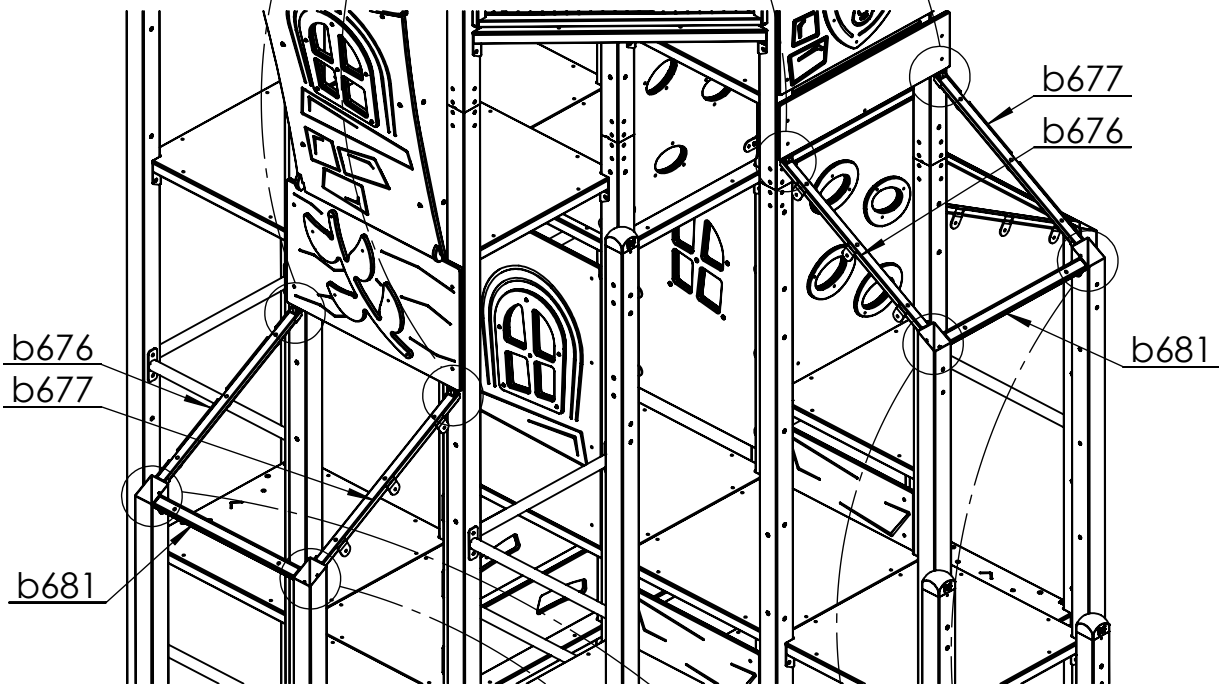
8x 10x25ikl
8x 10pp

vinci
play

[cm]



4x 8x25ikl

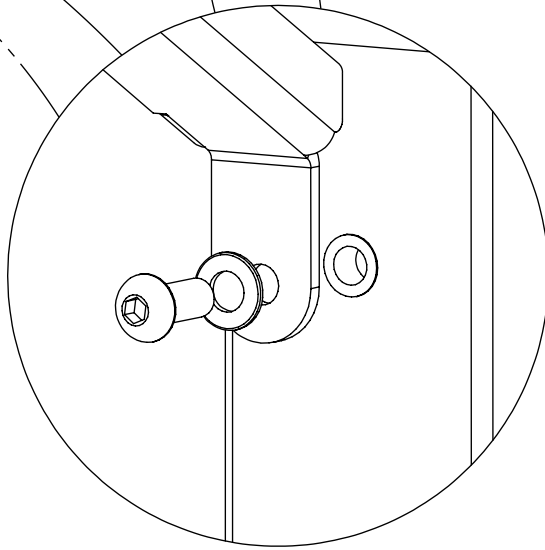


b676
b677

b677
b676

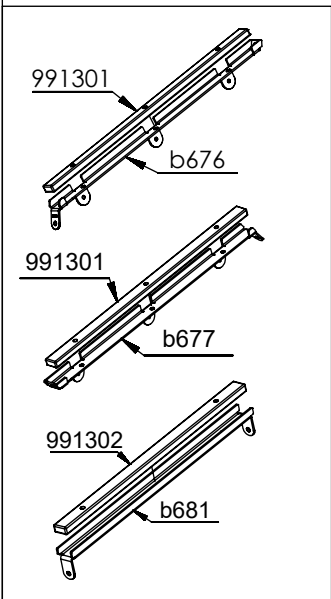
b681

b681



8x 10x25ikl

8x 10pp



991301

b676

991301

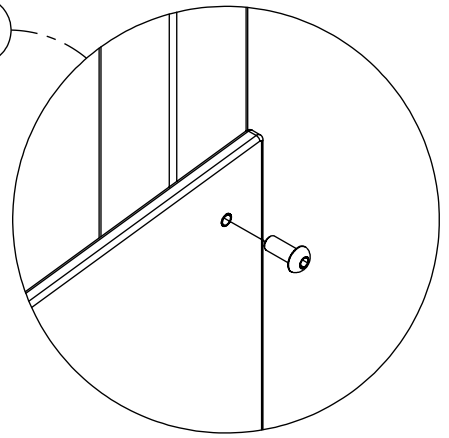
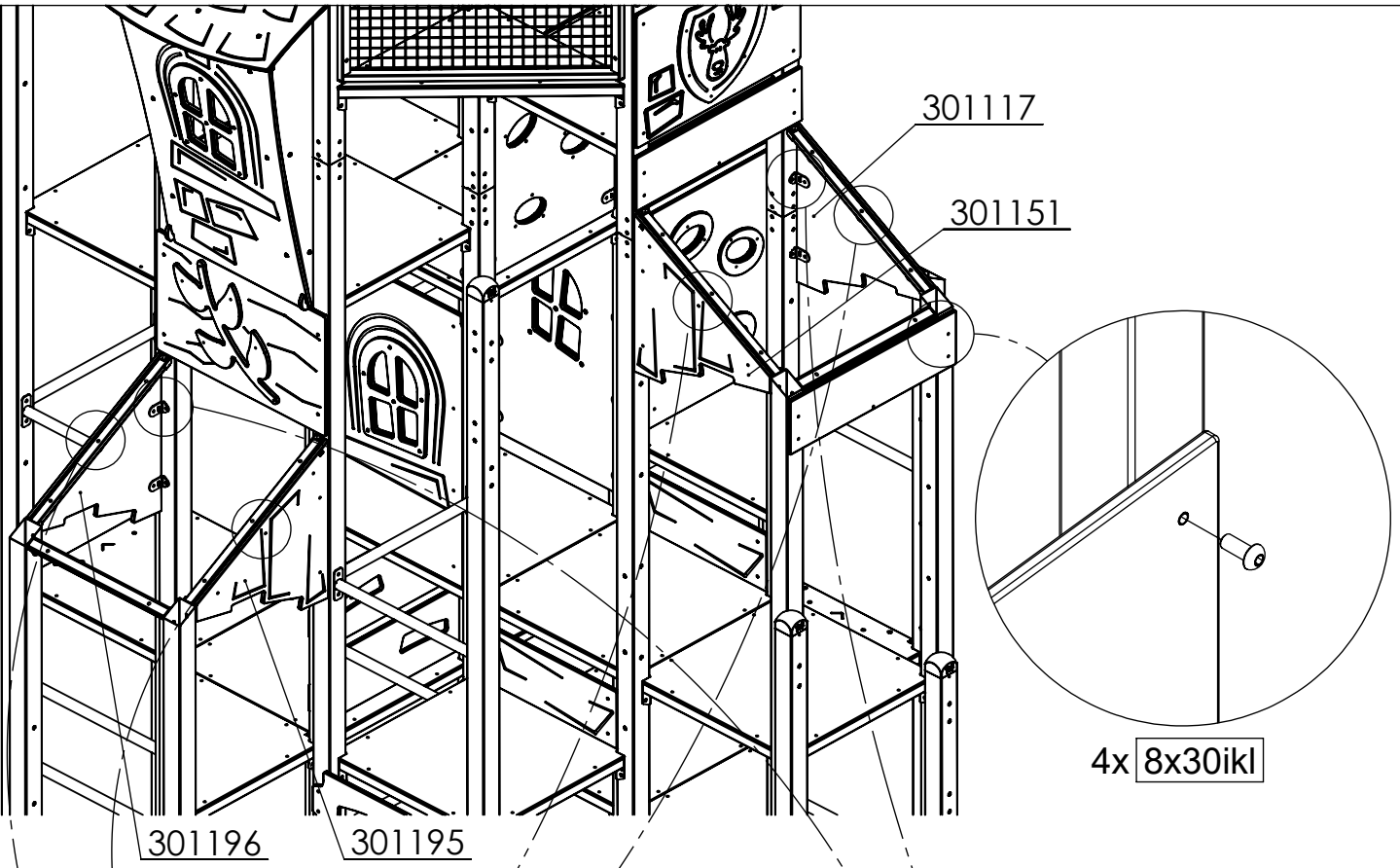
b677

991302

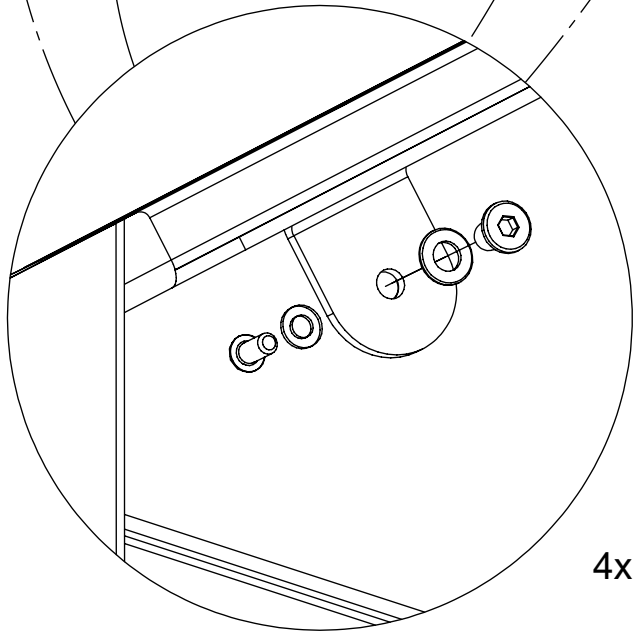
b681

[cm]

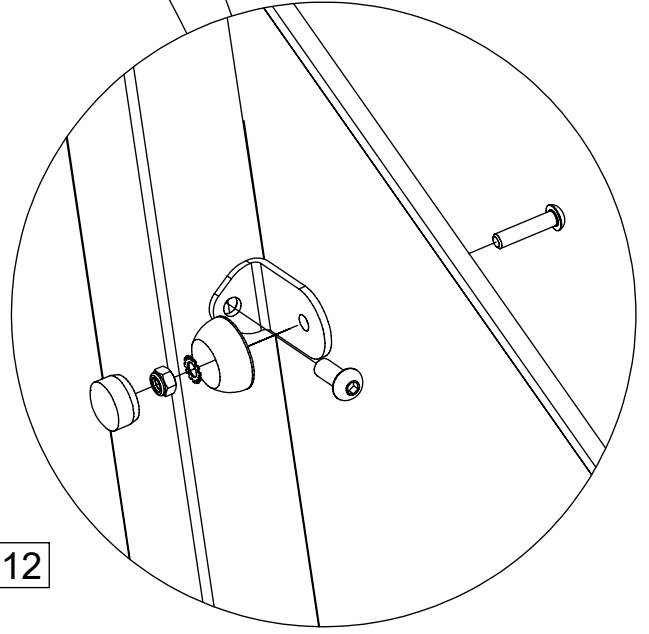
vinci
play



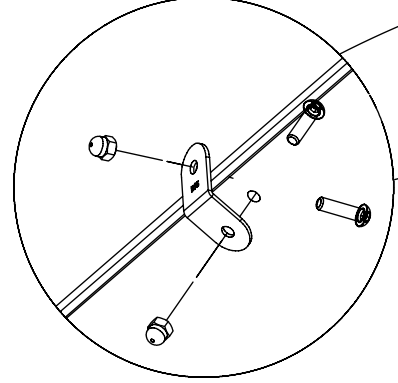
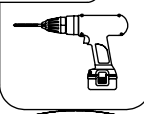
4x 8x30ikl



4x 30c112

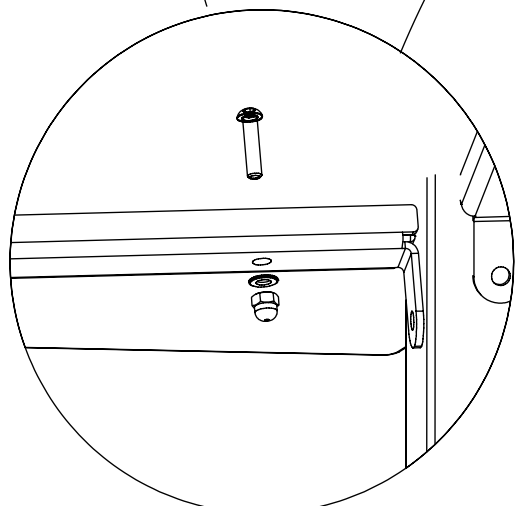


Ø8,5

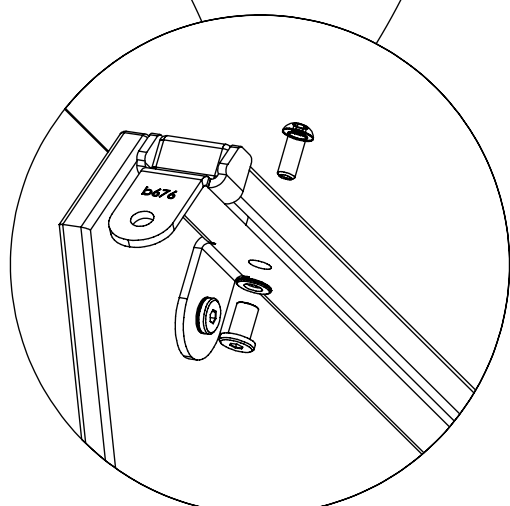


2x 30c124

301197
2X



2x 30c068



2x 30c070

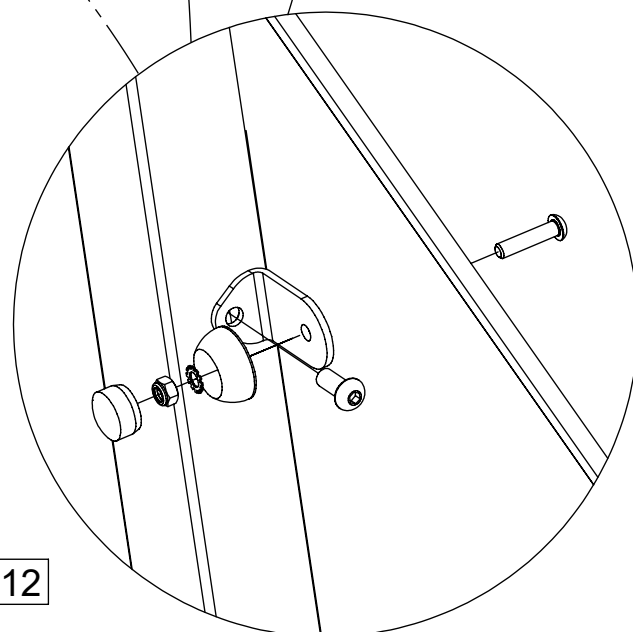
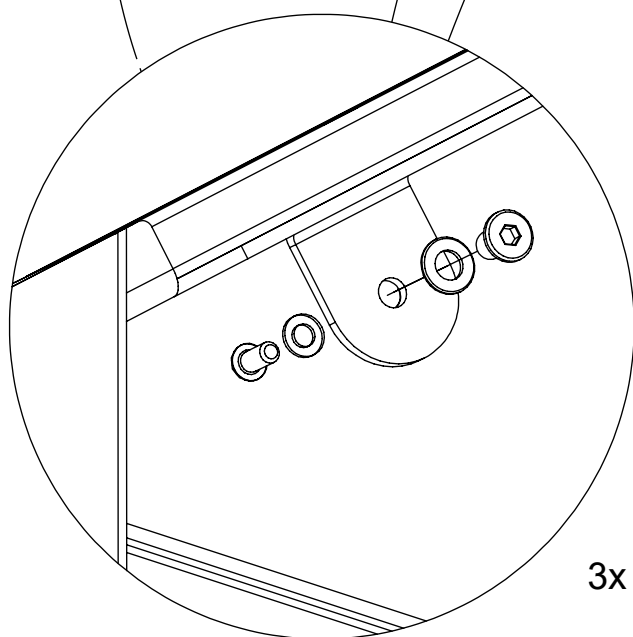
[cm]

vinci
play

301151

301151

301117

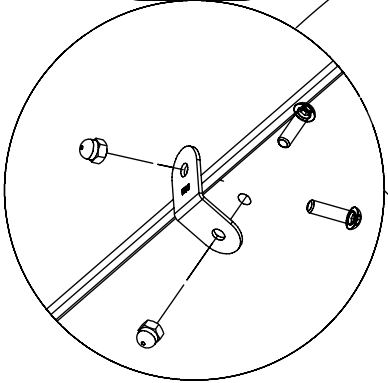
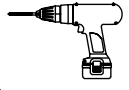


3x 30c112

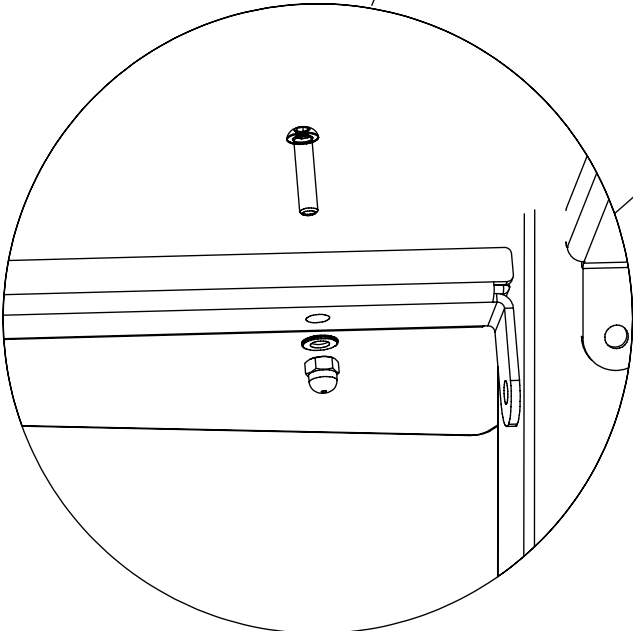
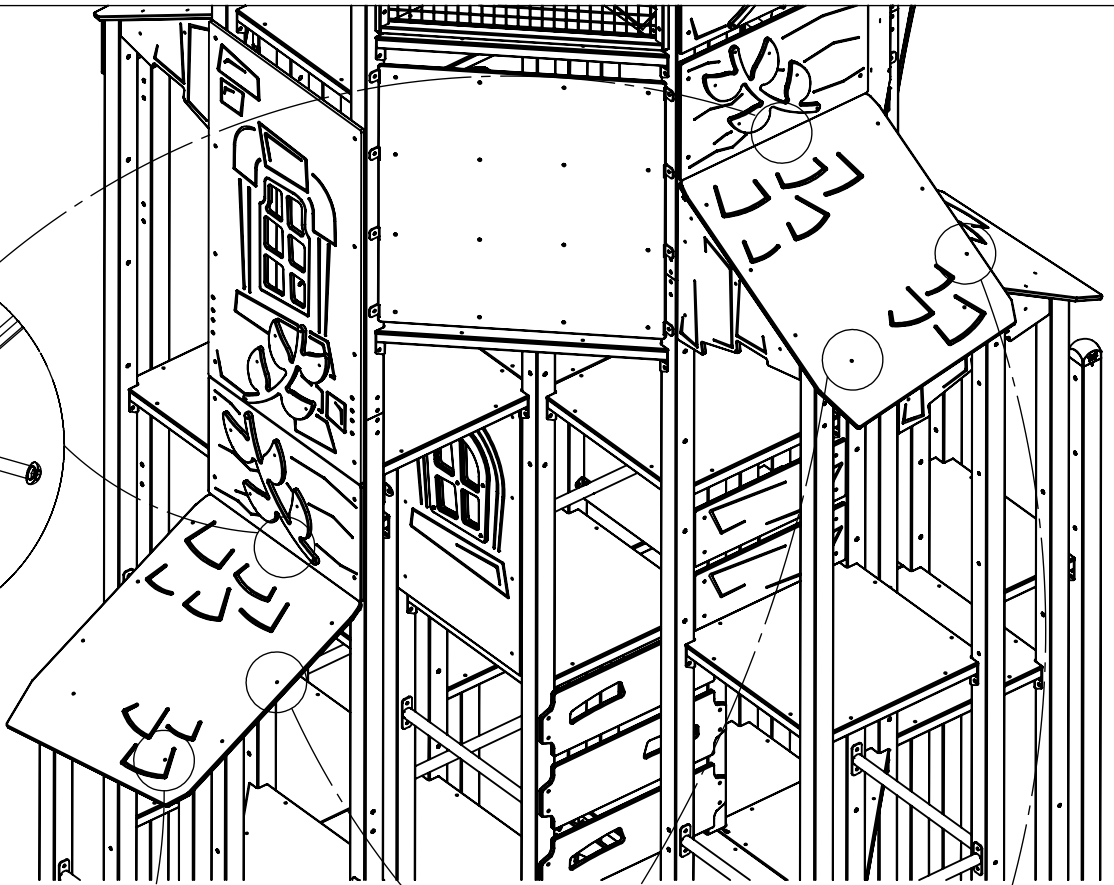
[cm]

vinci
play

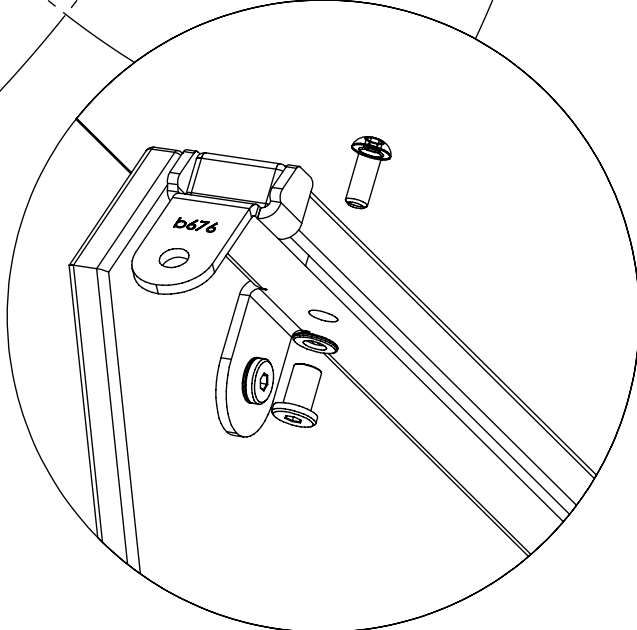
Ø8,5



2x 30c124



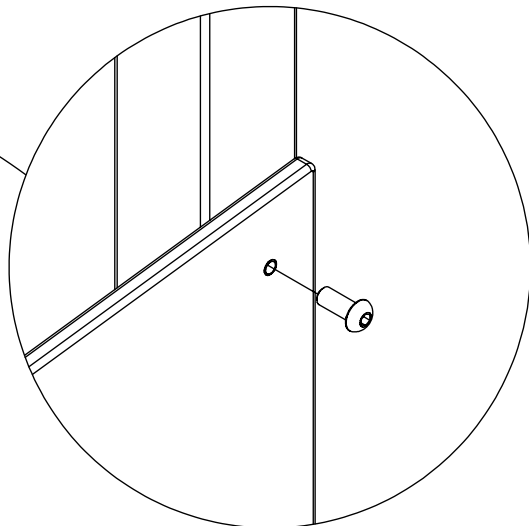
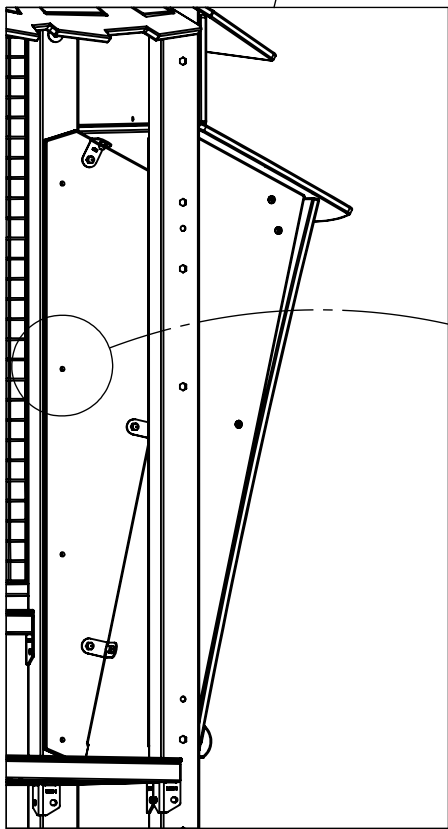
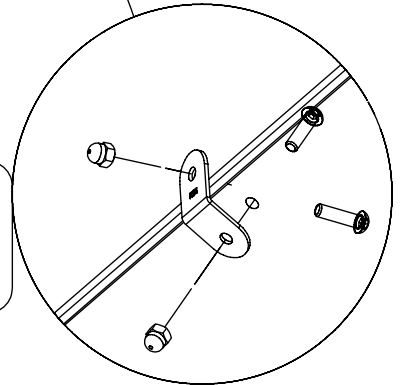
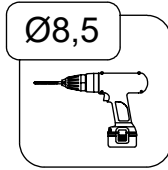
2x 30c068



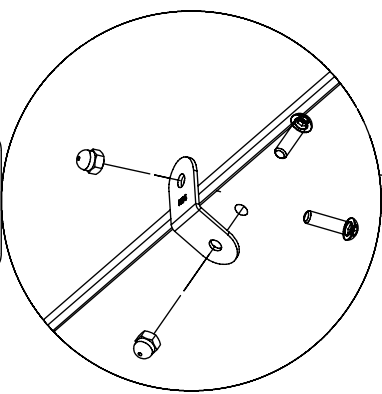
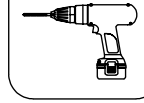
2x 30c070

[cm]

vinci
play

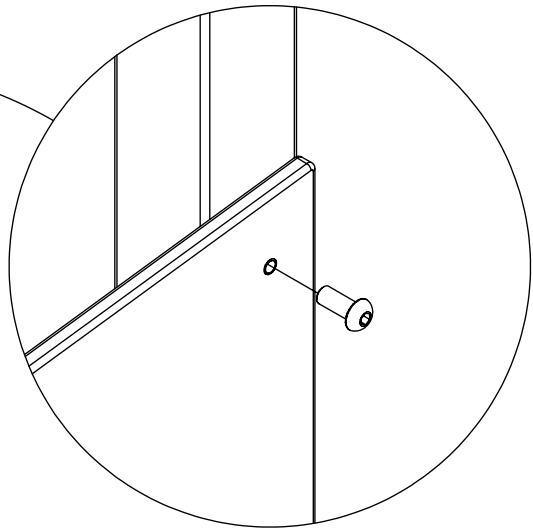
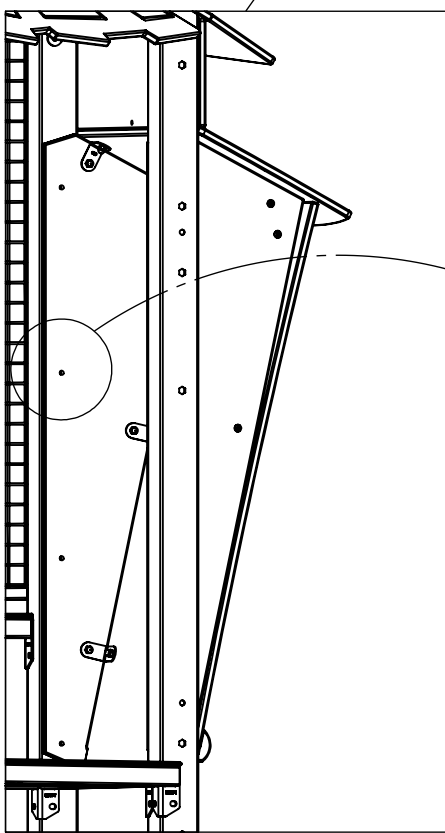
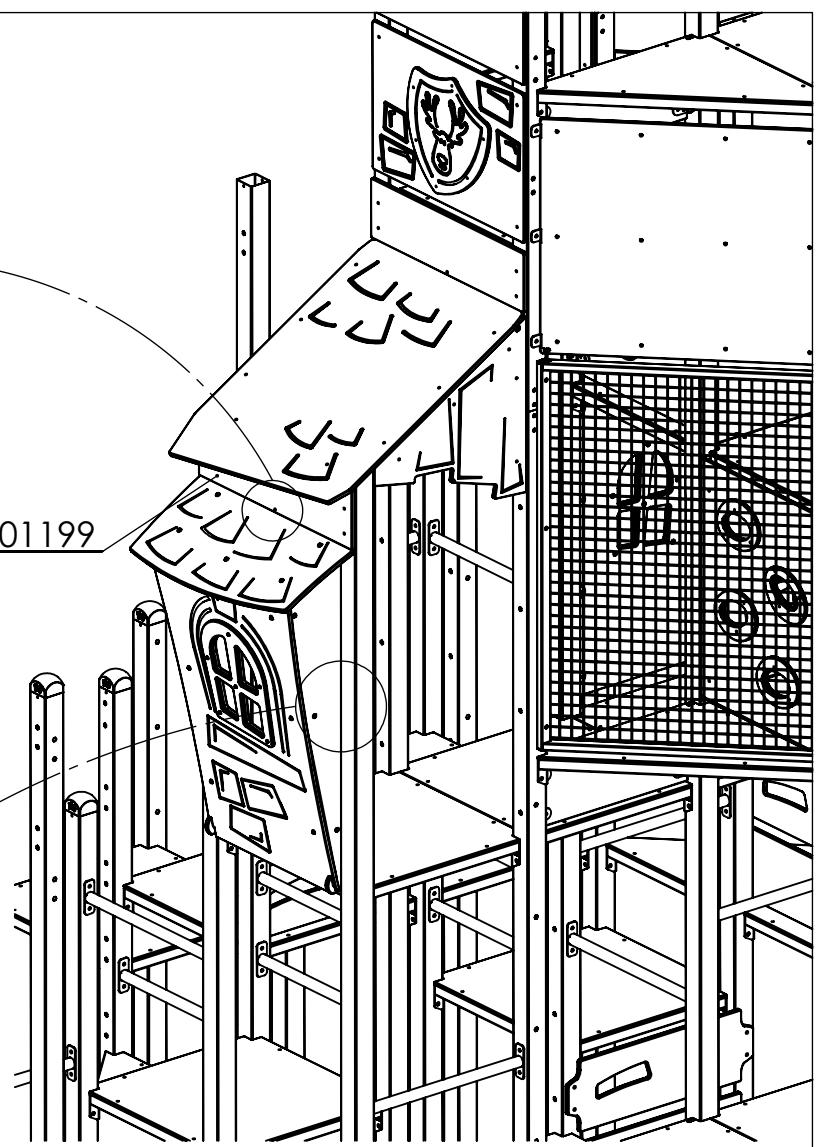


Ø8,5



1x 30c124

301199

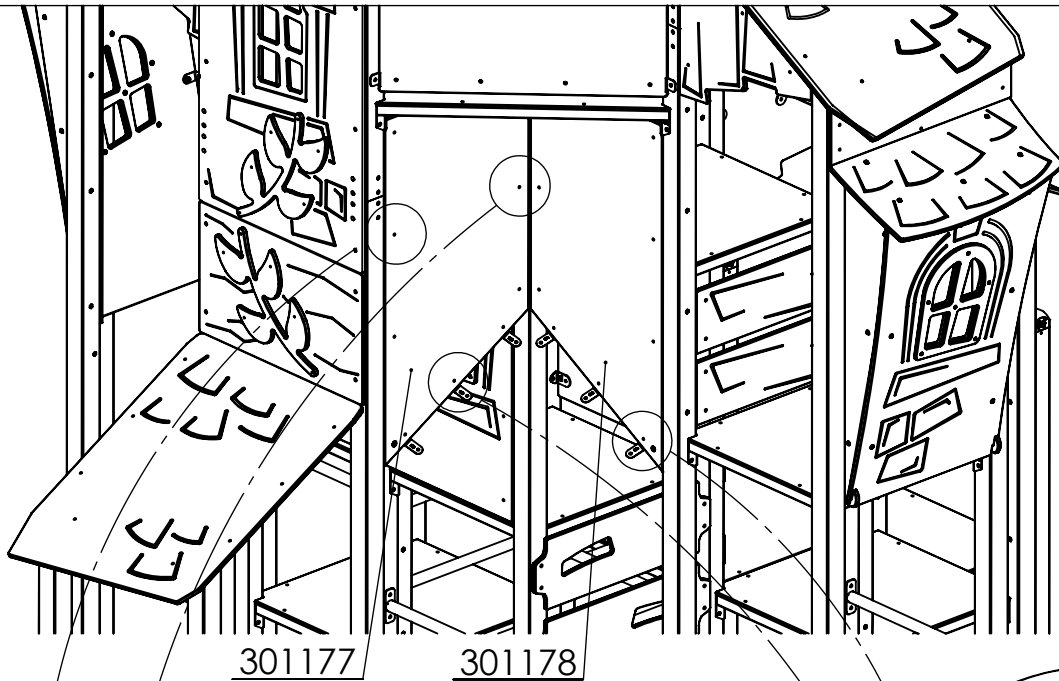


8x 8x30ikl

[cm]

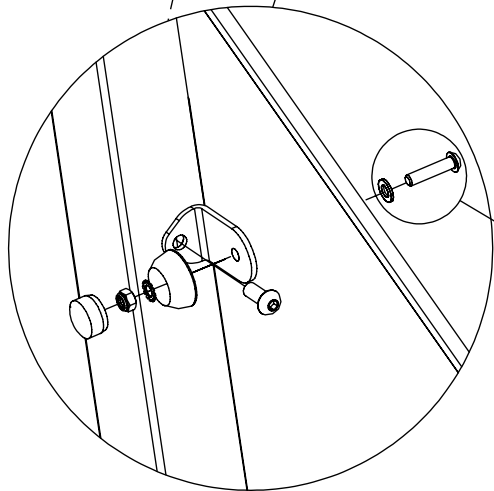
vinci
play

1

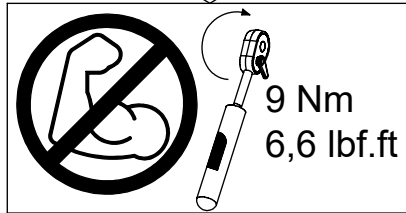


301177

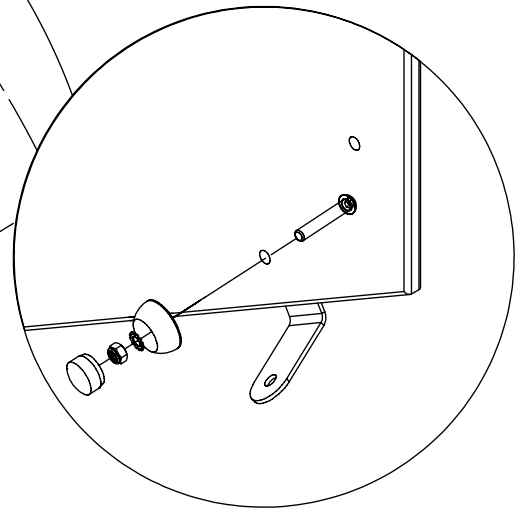
301178



6x 30e067

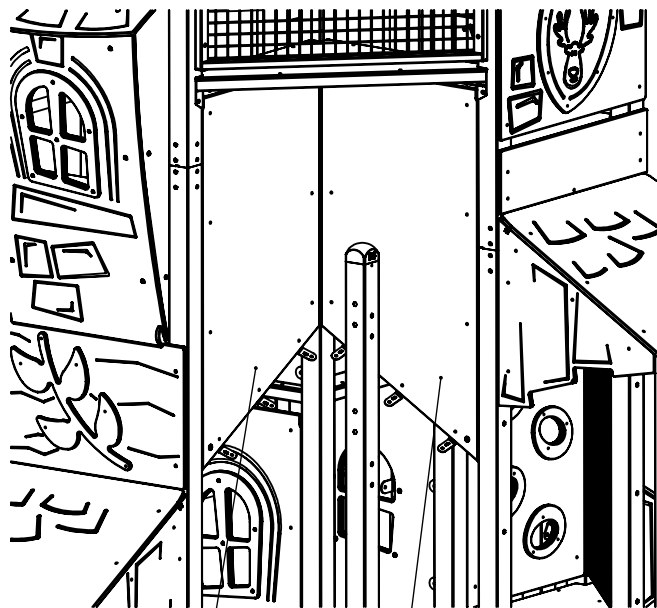


9 Nm
6,6 lbf.ft



6x 30e068

2



301177

301178

3



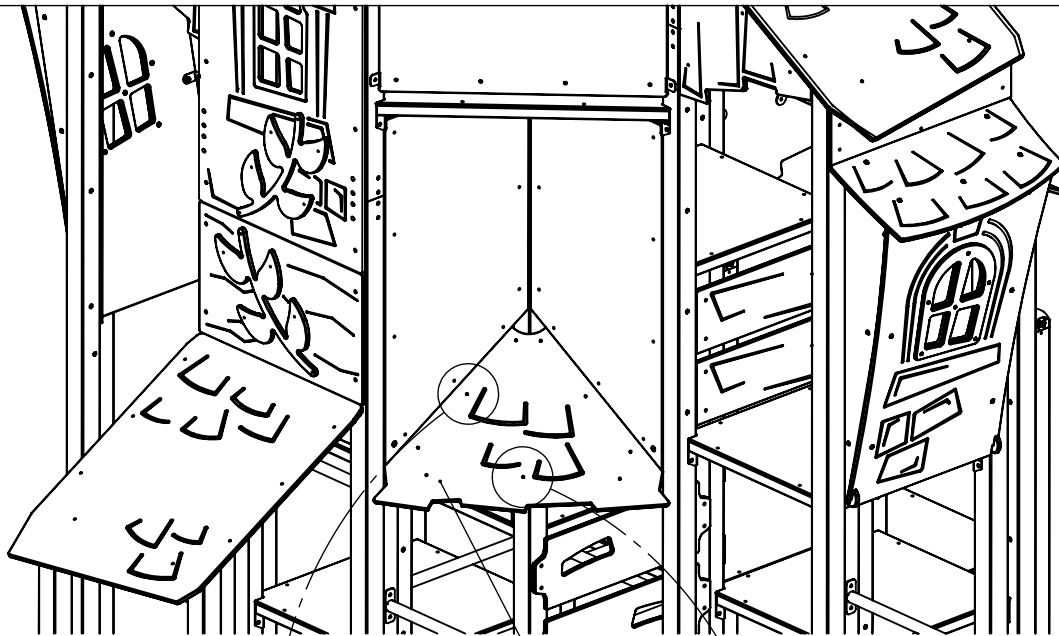
301179

301157

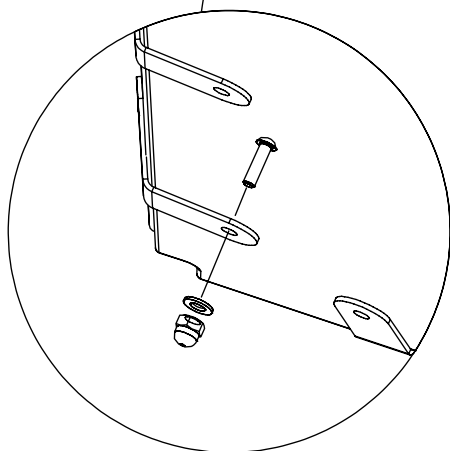
vinci
play

[cm]

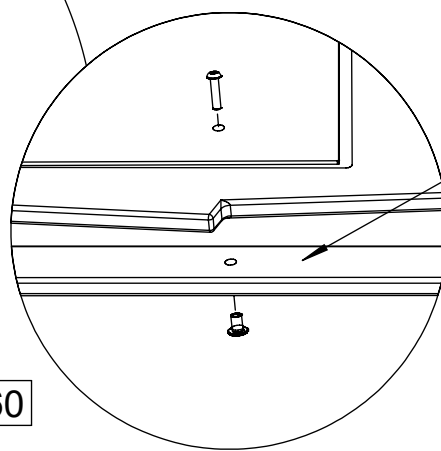
1



301158

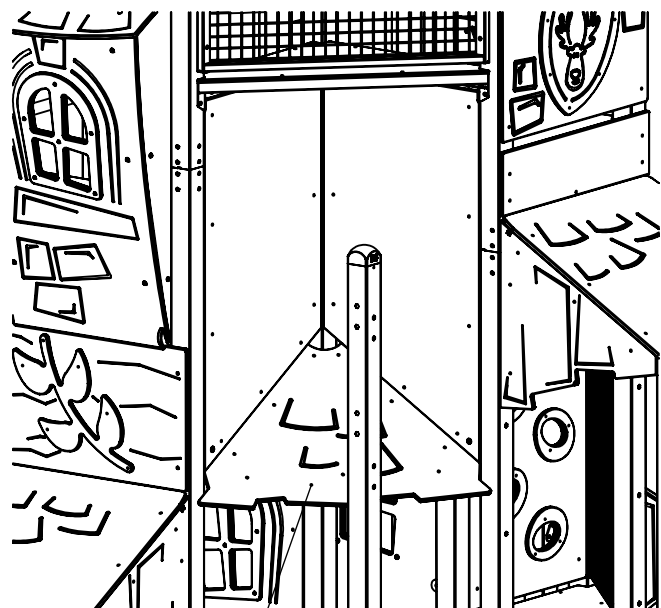


3x 30c060



301149

2



301158

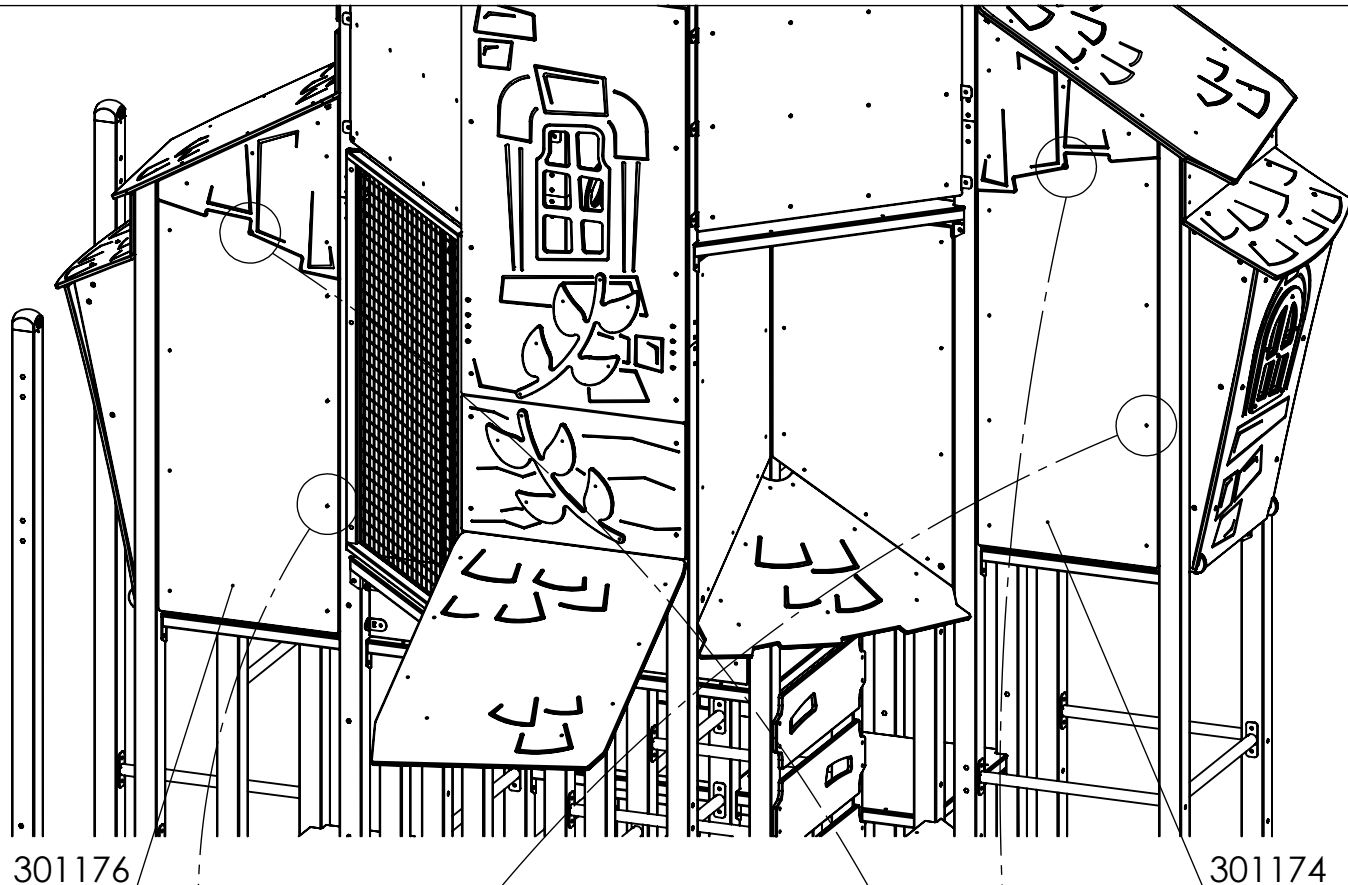
3



301158

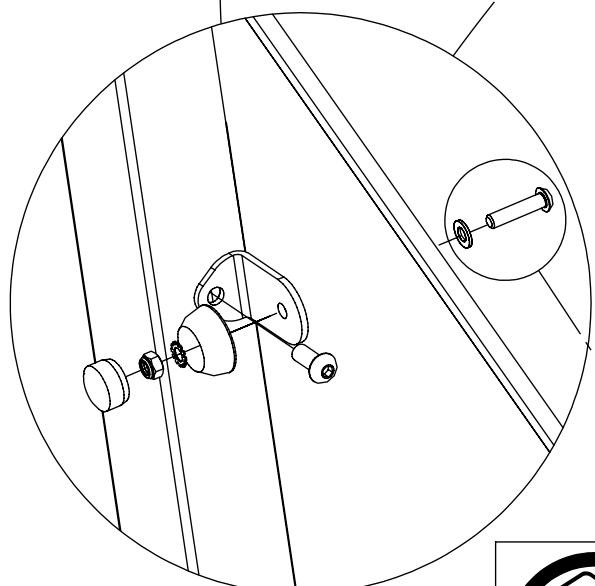
[cm]

vinci play

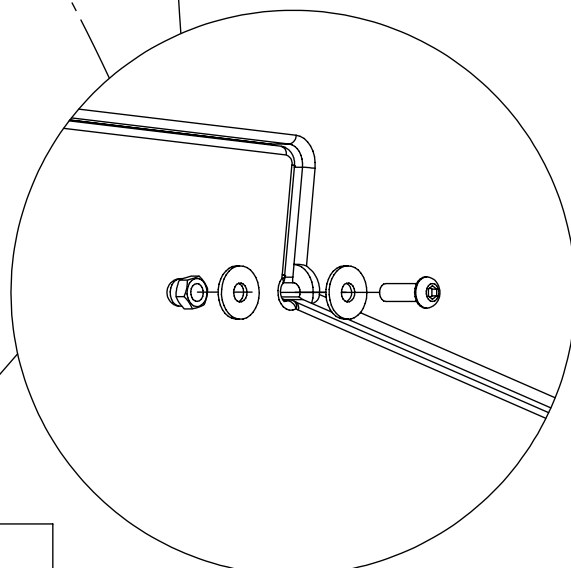


301176

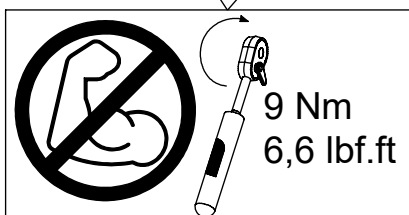
301174



4x 30e056



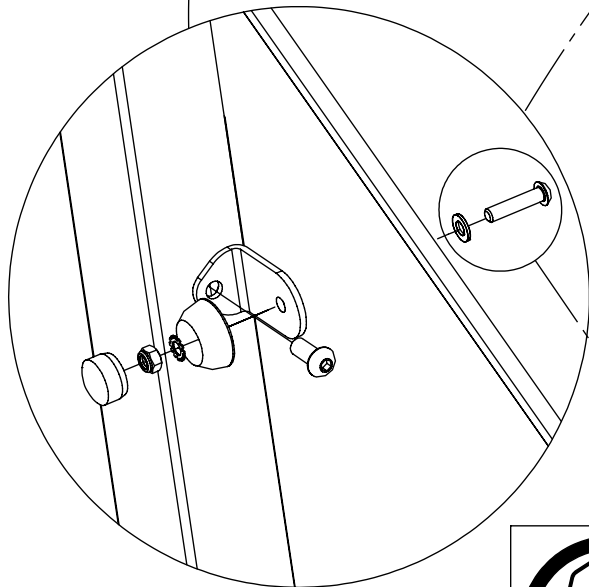
2x 30e057



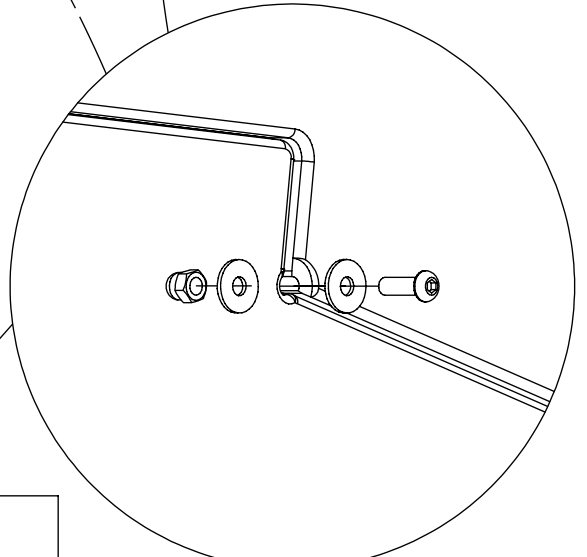
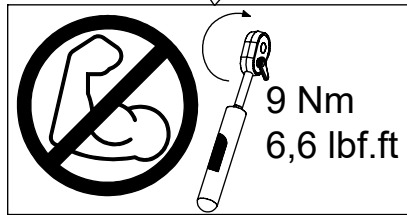
9 Nm
6,6 lbf.ft

301144

301265



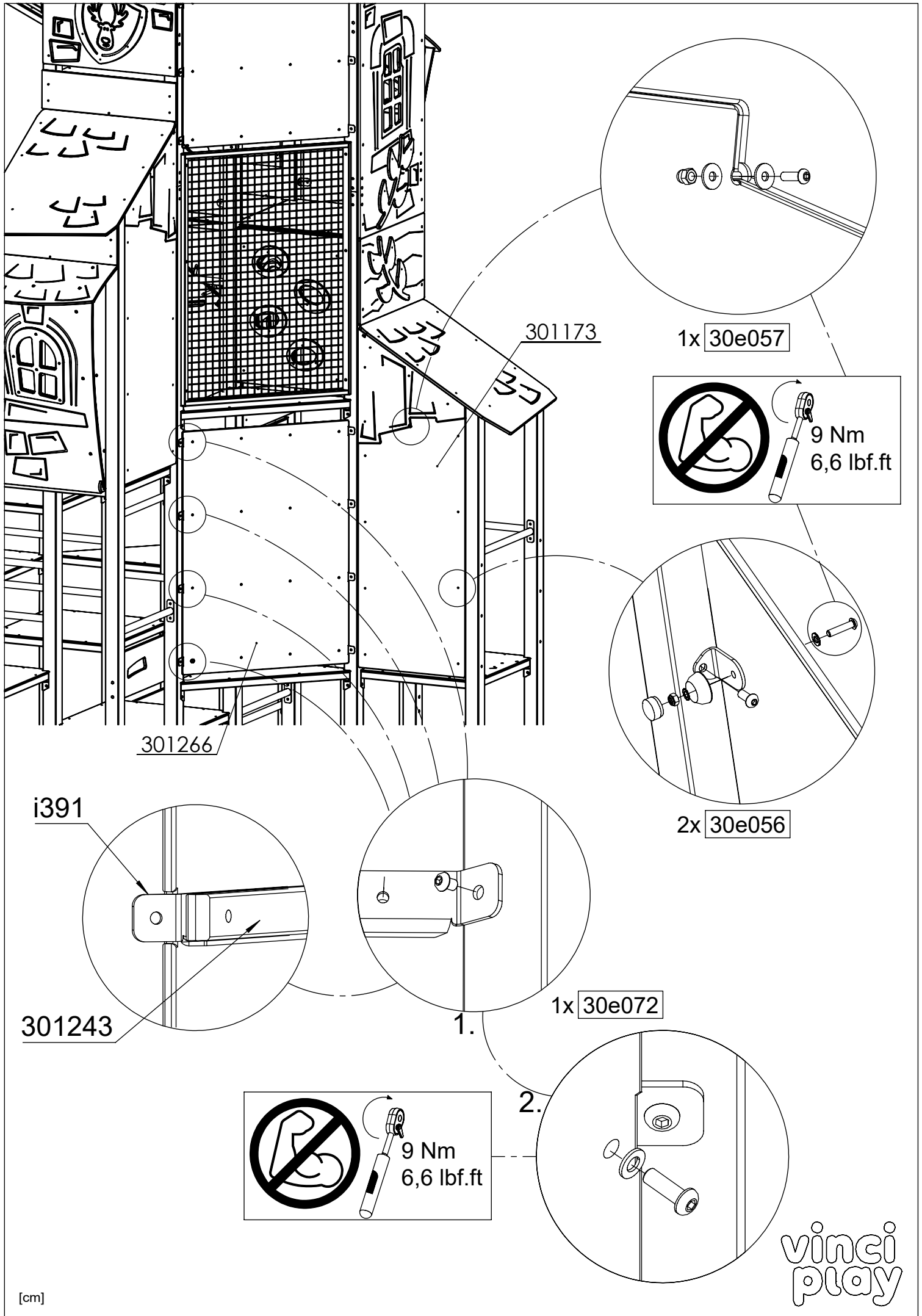
4x 30e056



2x 30e057

[cm]

vinci
play

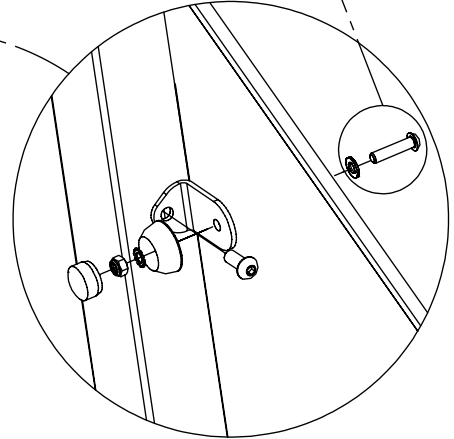


301173

1x 30e057

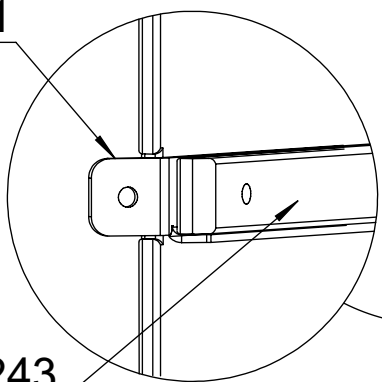
9 Nm
6,6 lbf.ft

301266

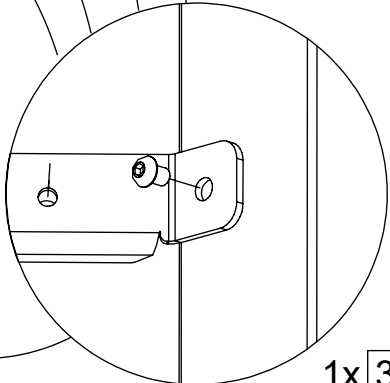


2x 30e056

i391



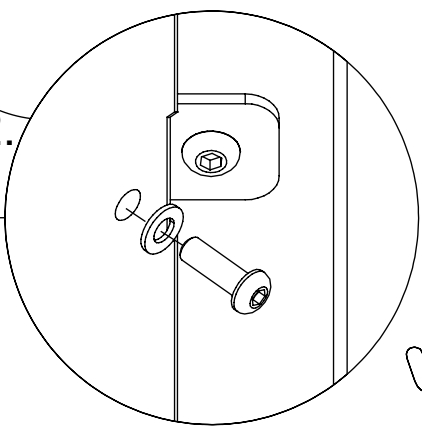
301243



1x 30e072

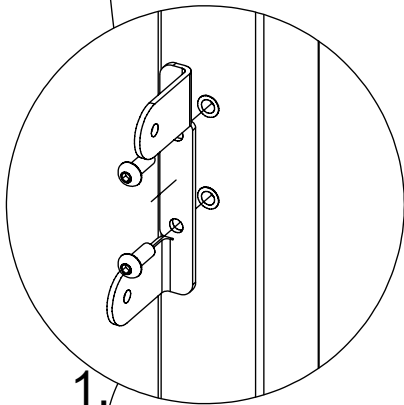
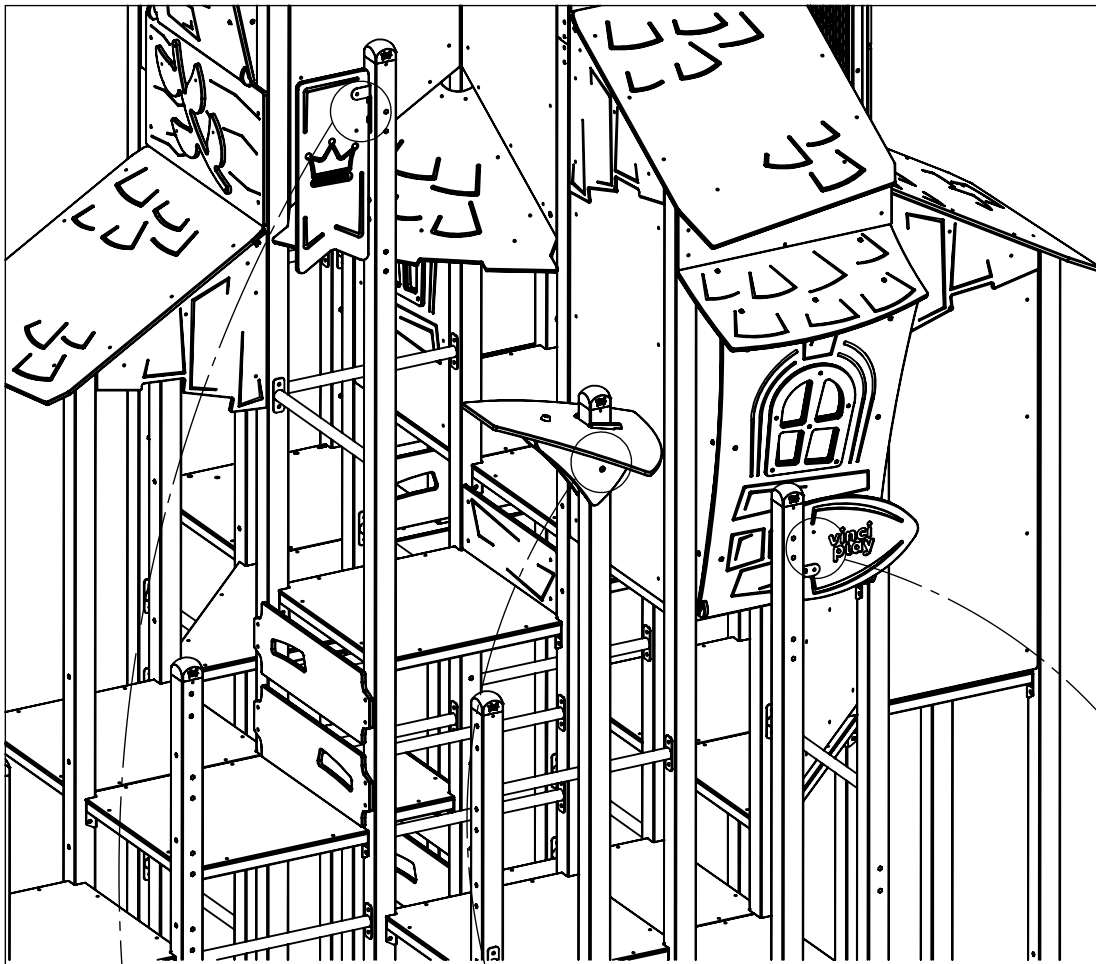
9 Nm
6,6 lbf.ft

2.

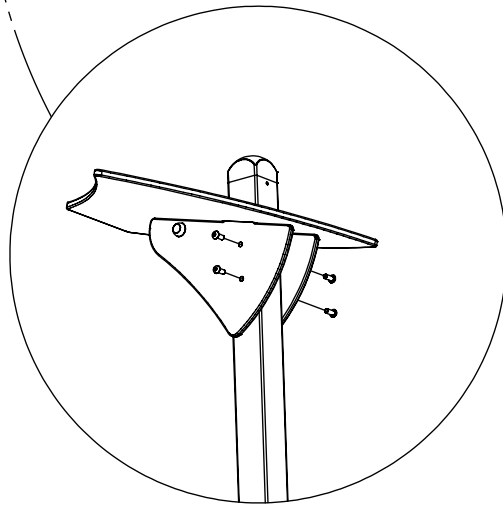


[cm]

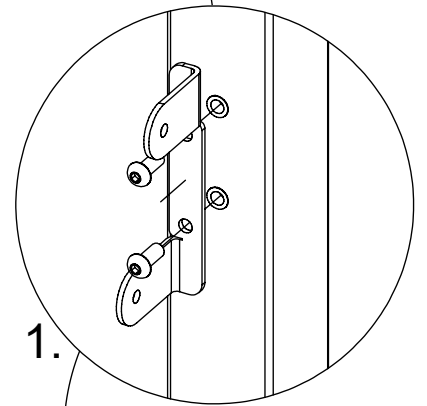
vinci play



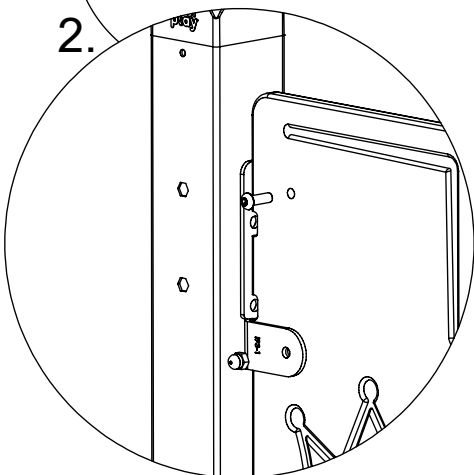
1.



4x 10x25ikl

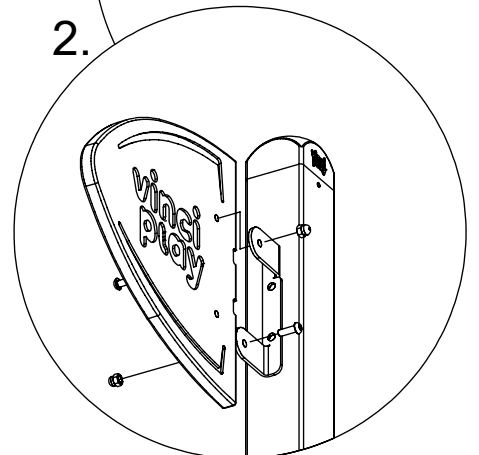


1.



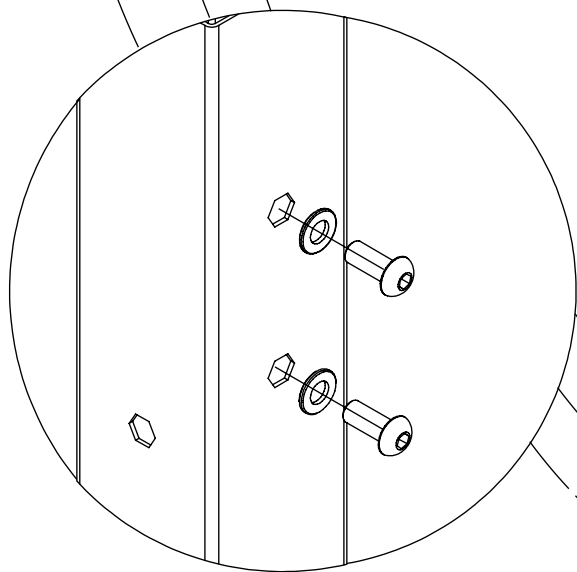
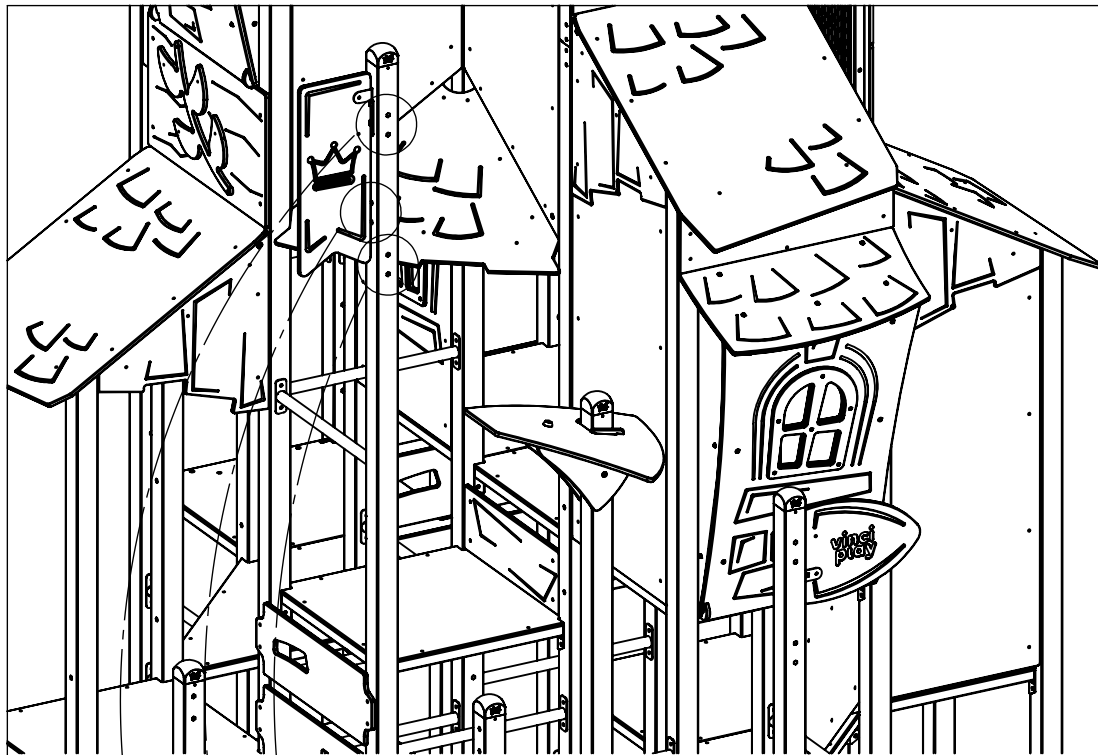
2.

1x E15



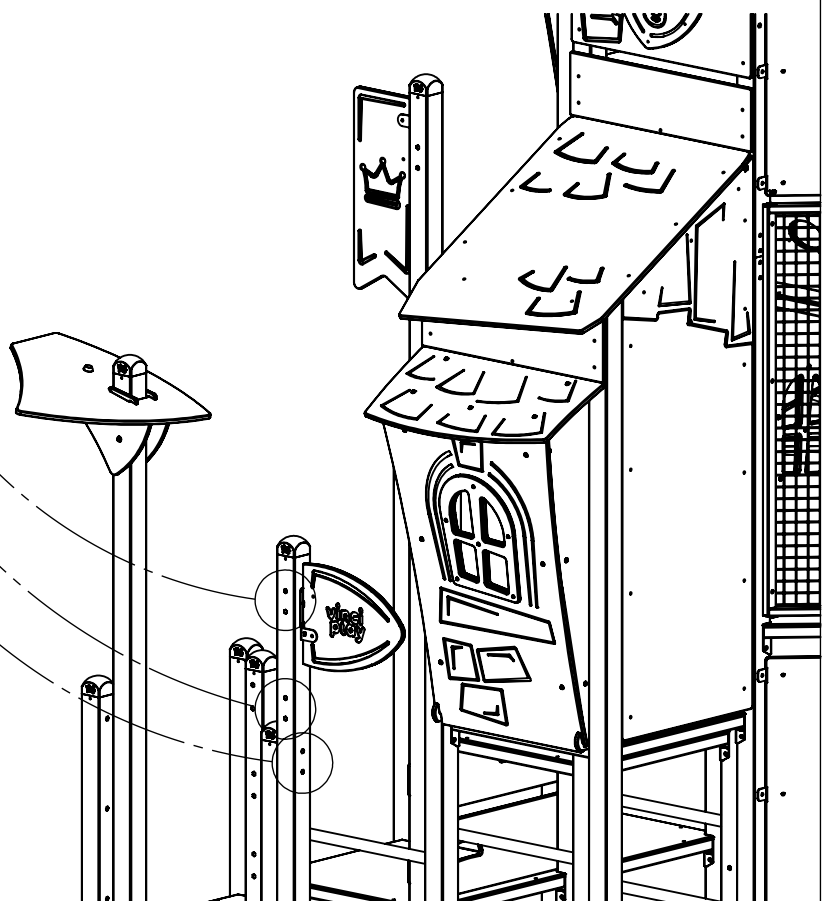
2.

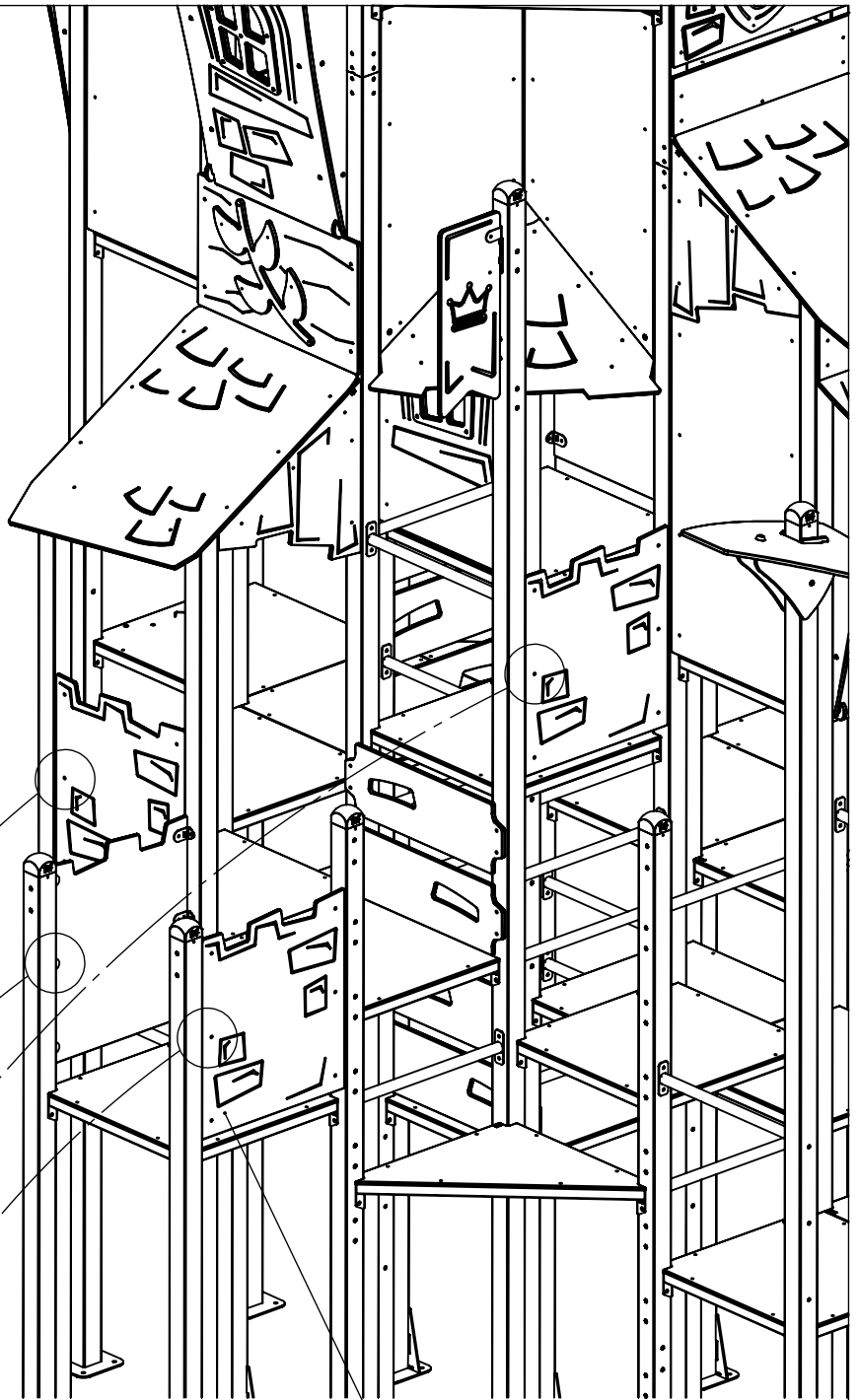
1x E15



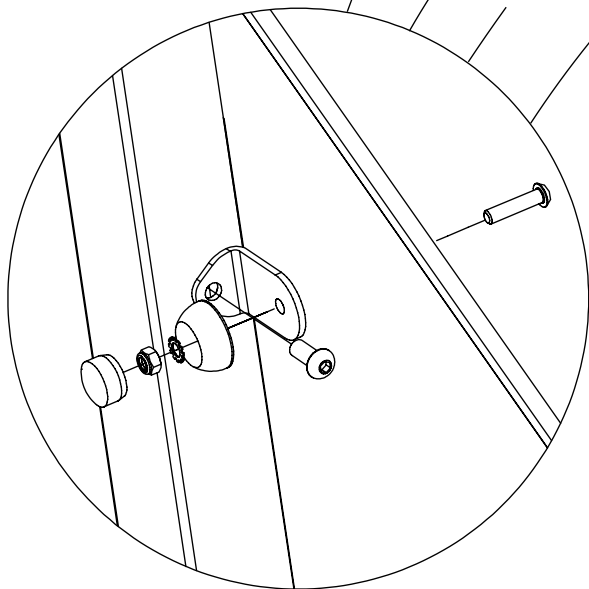
12x 10x25ikl

12x 10pp





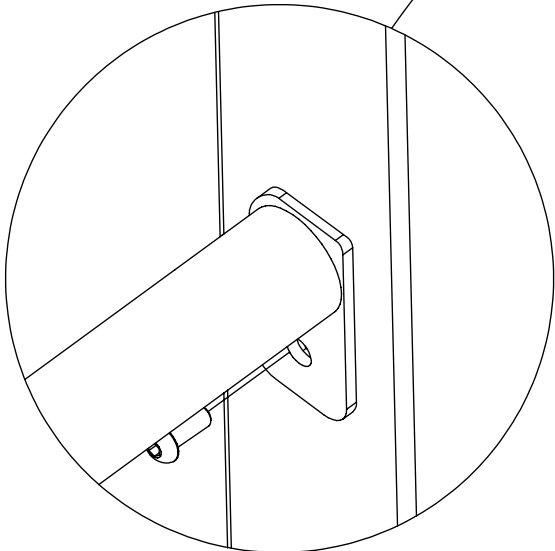
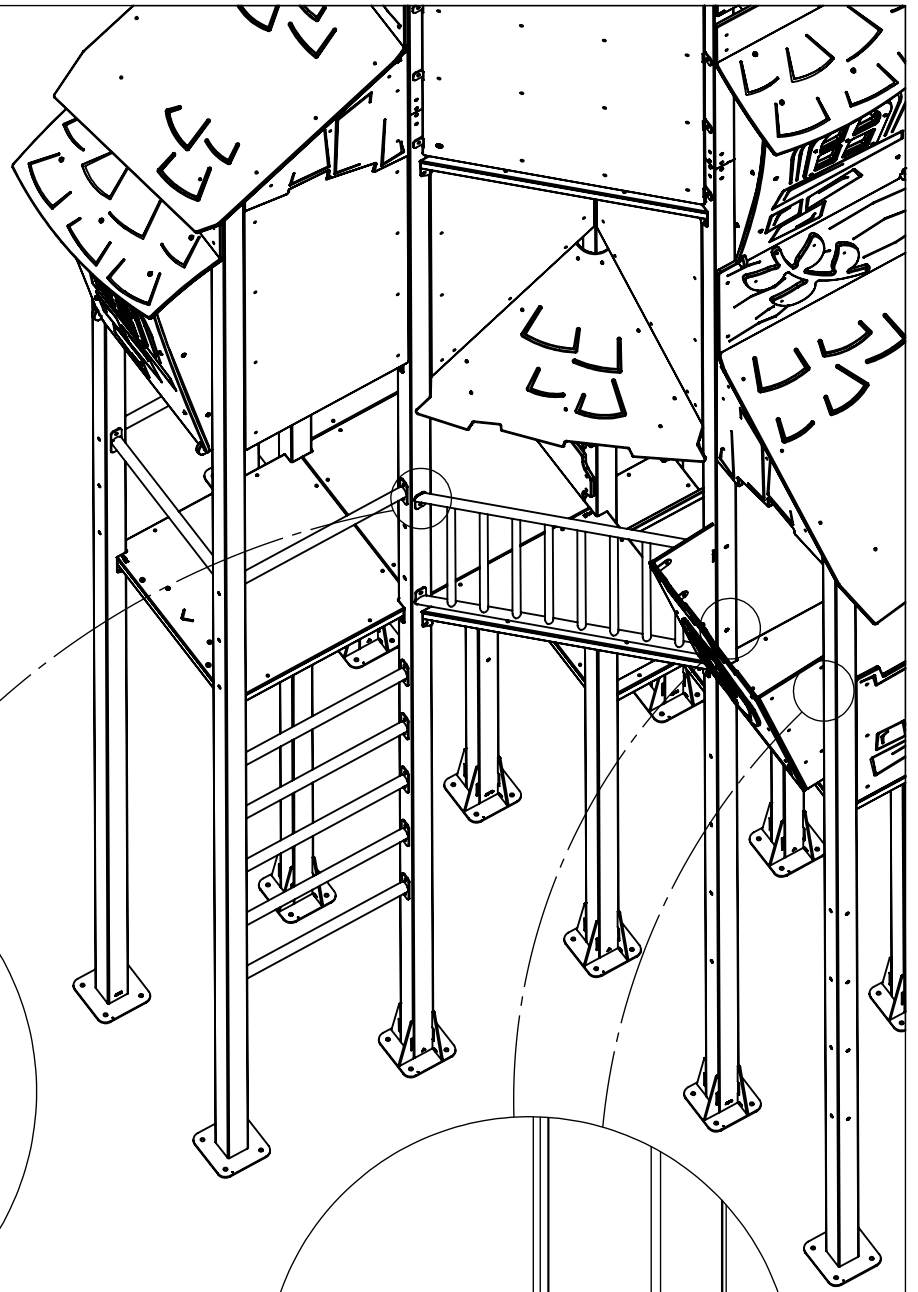
301132
4X



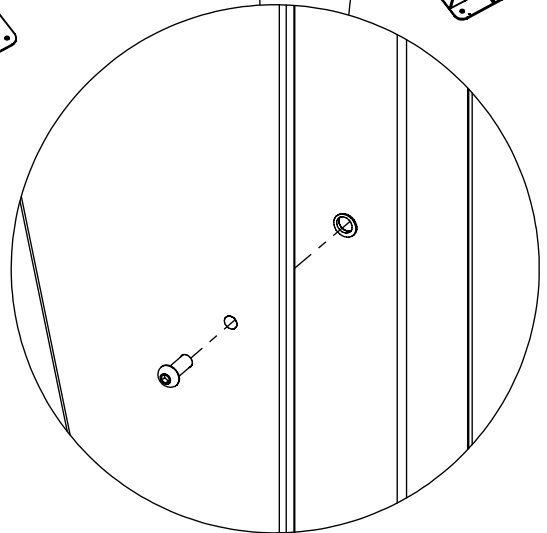
4x 17e111

[cm]

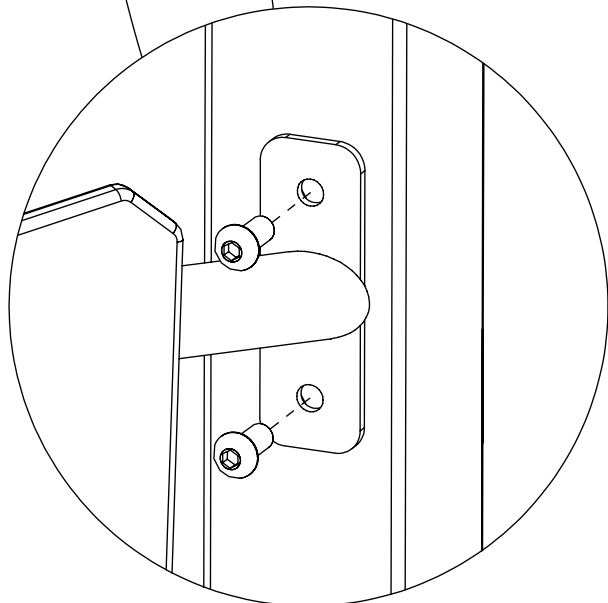
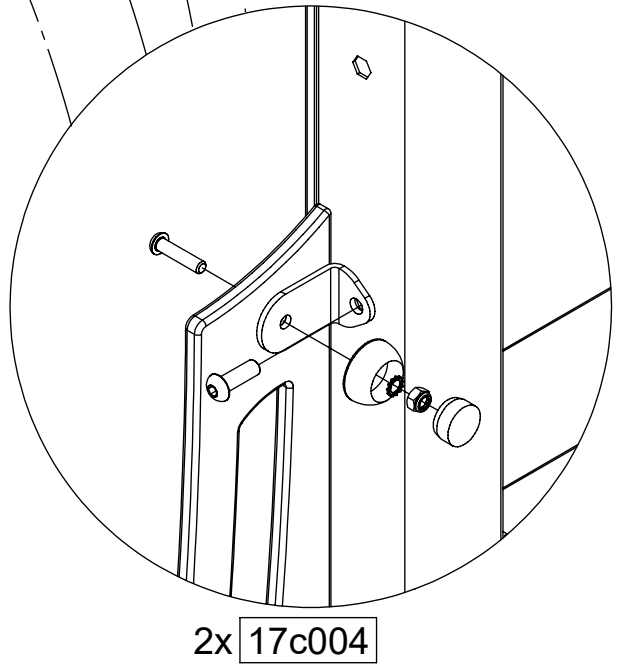
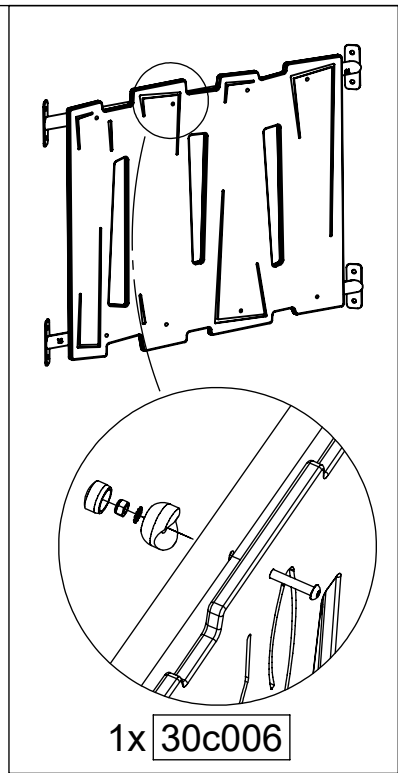
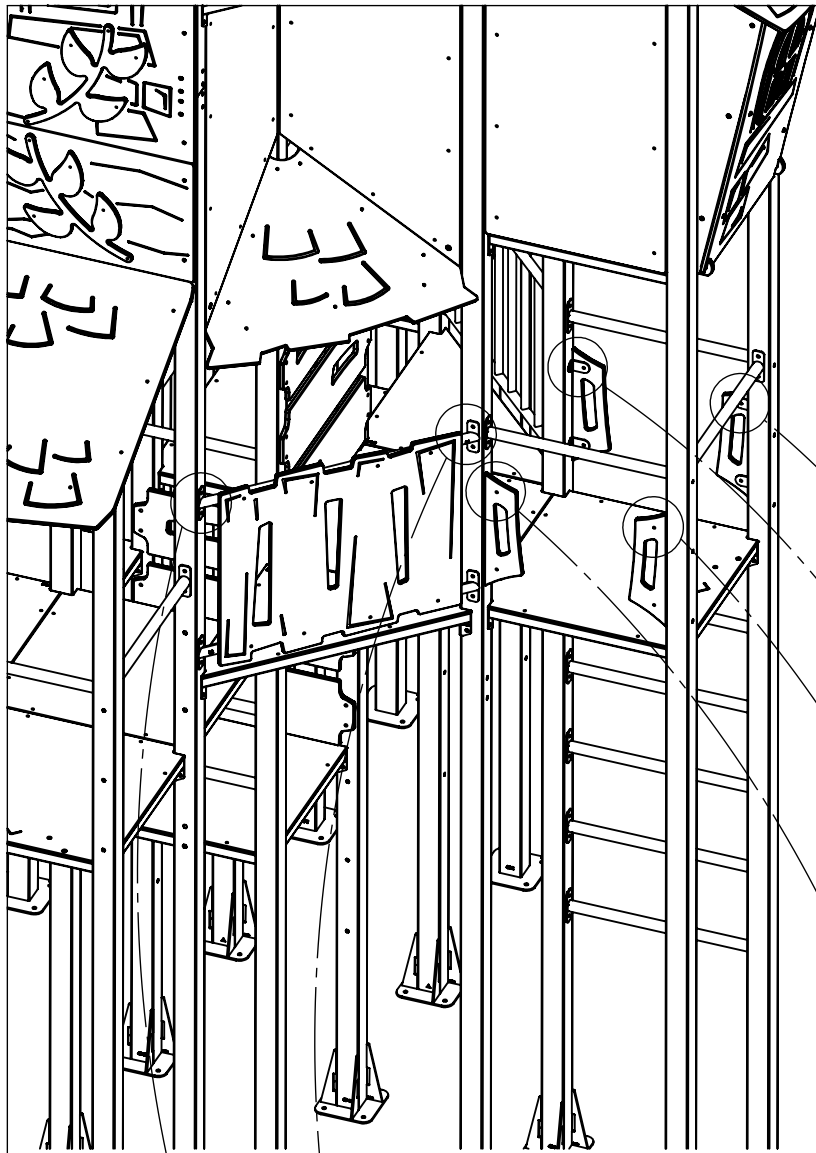
vinci
play

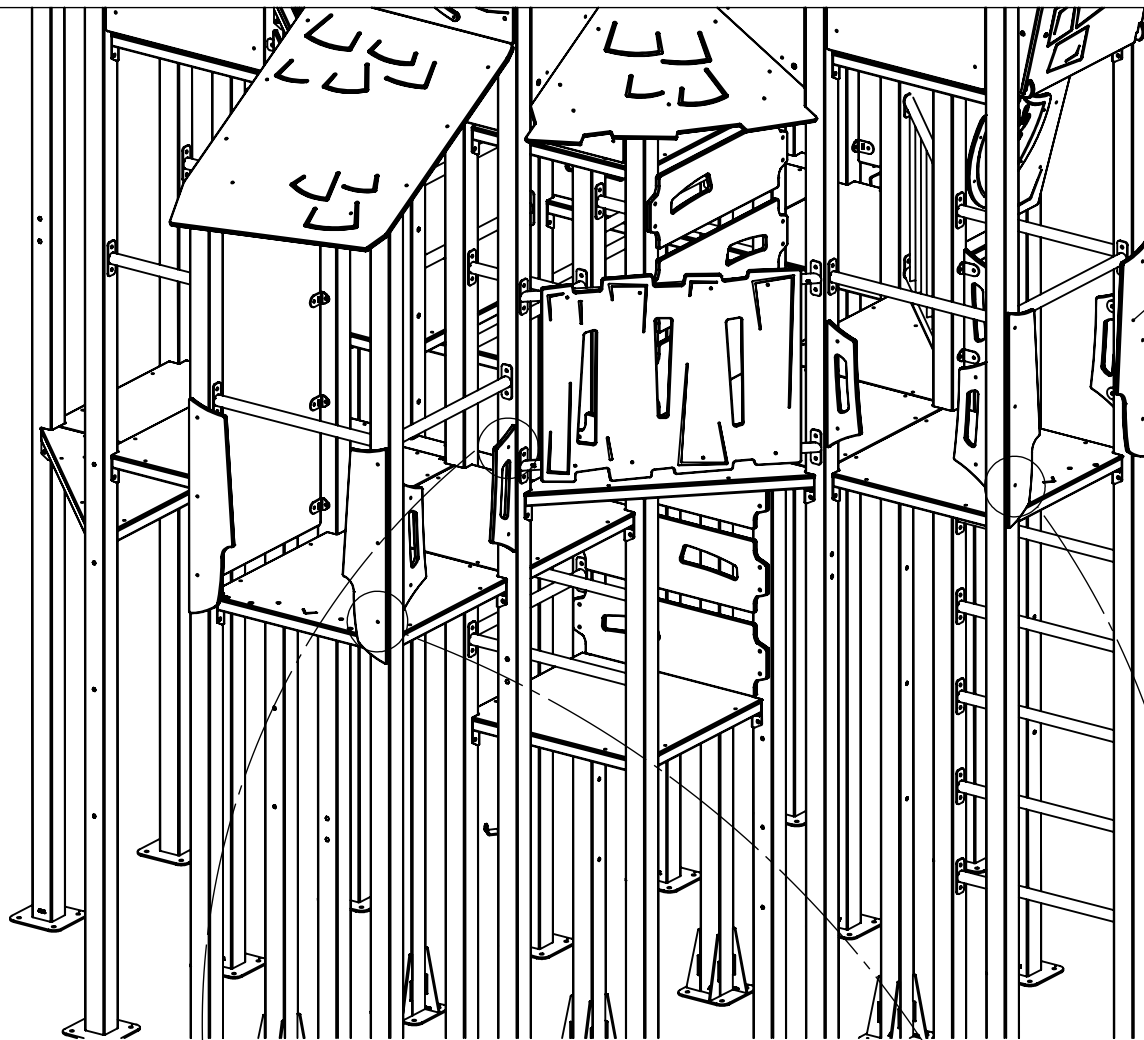


4x 10x25ikl

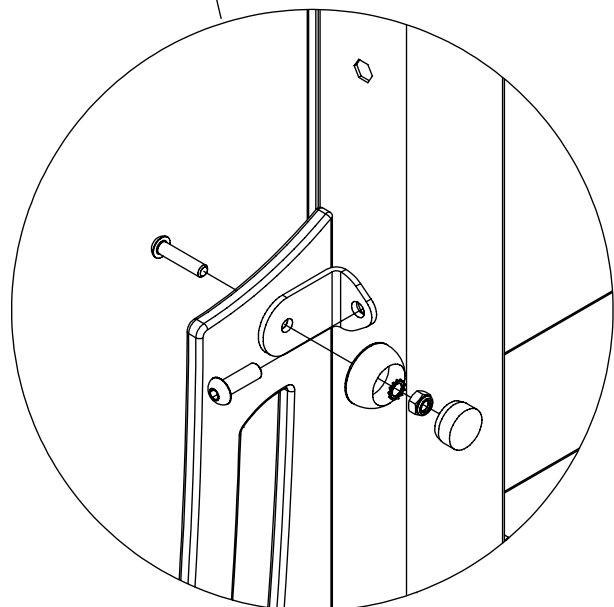


4x 10x25ikl

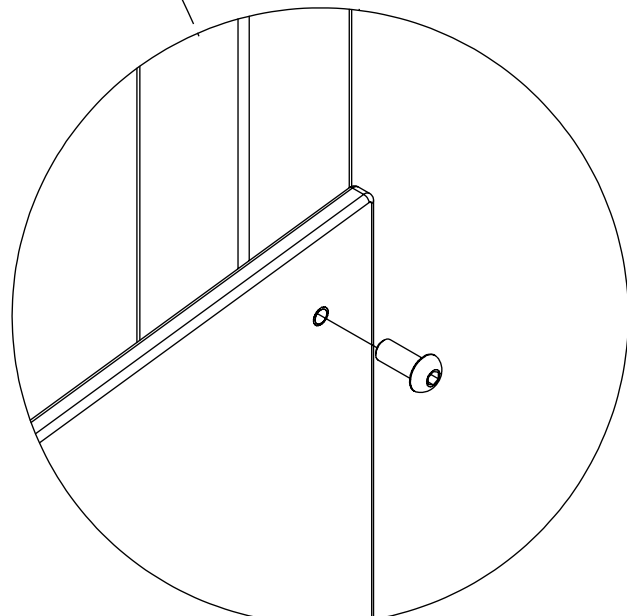




301251
4X



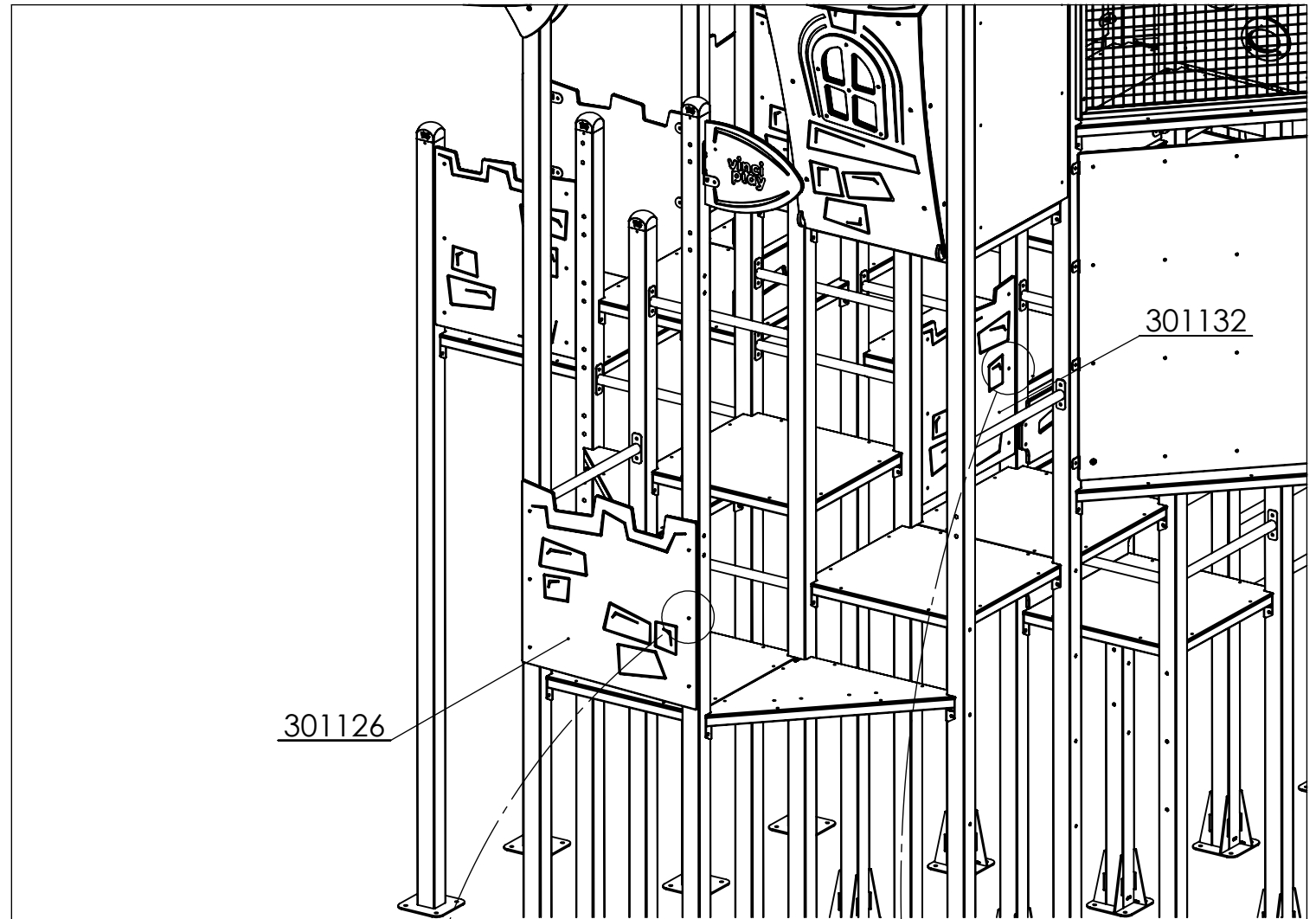
1x 17c004



12x 8x25ikl

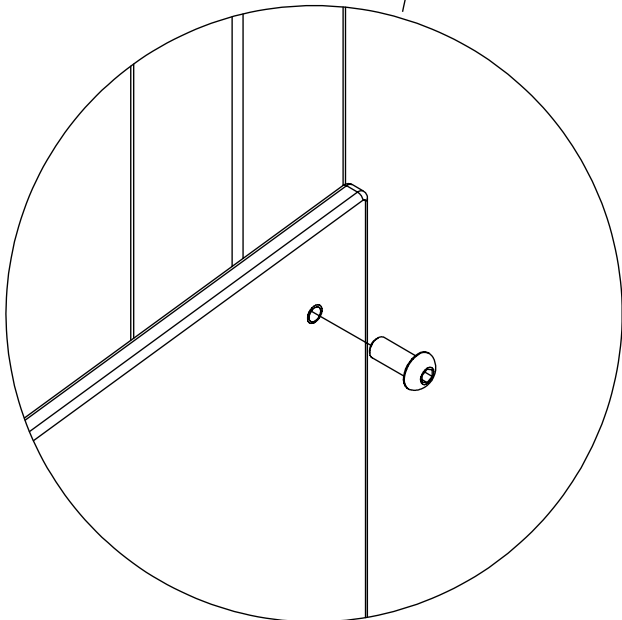
[cm]

vinci
play

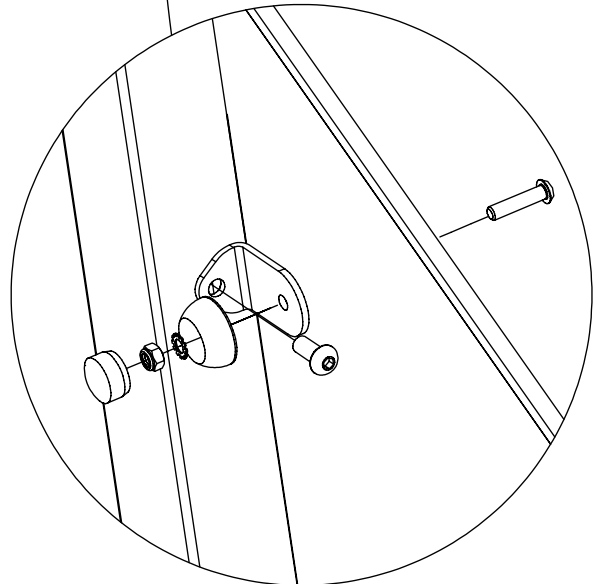


301126

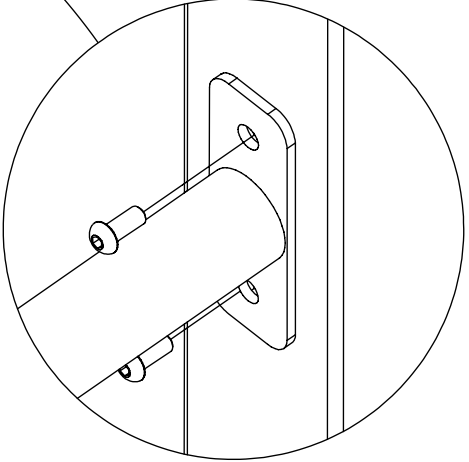
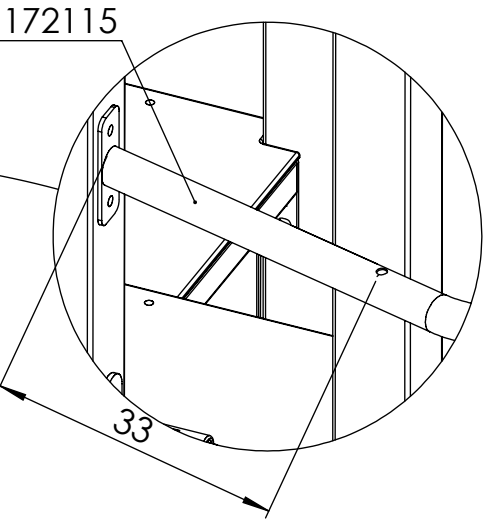
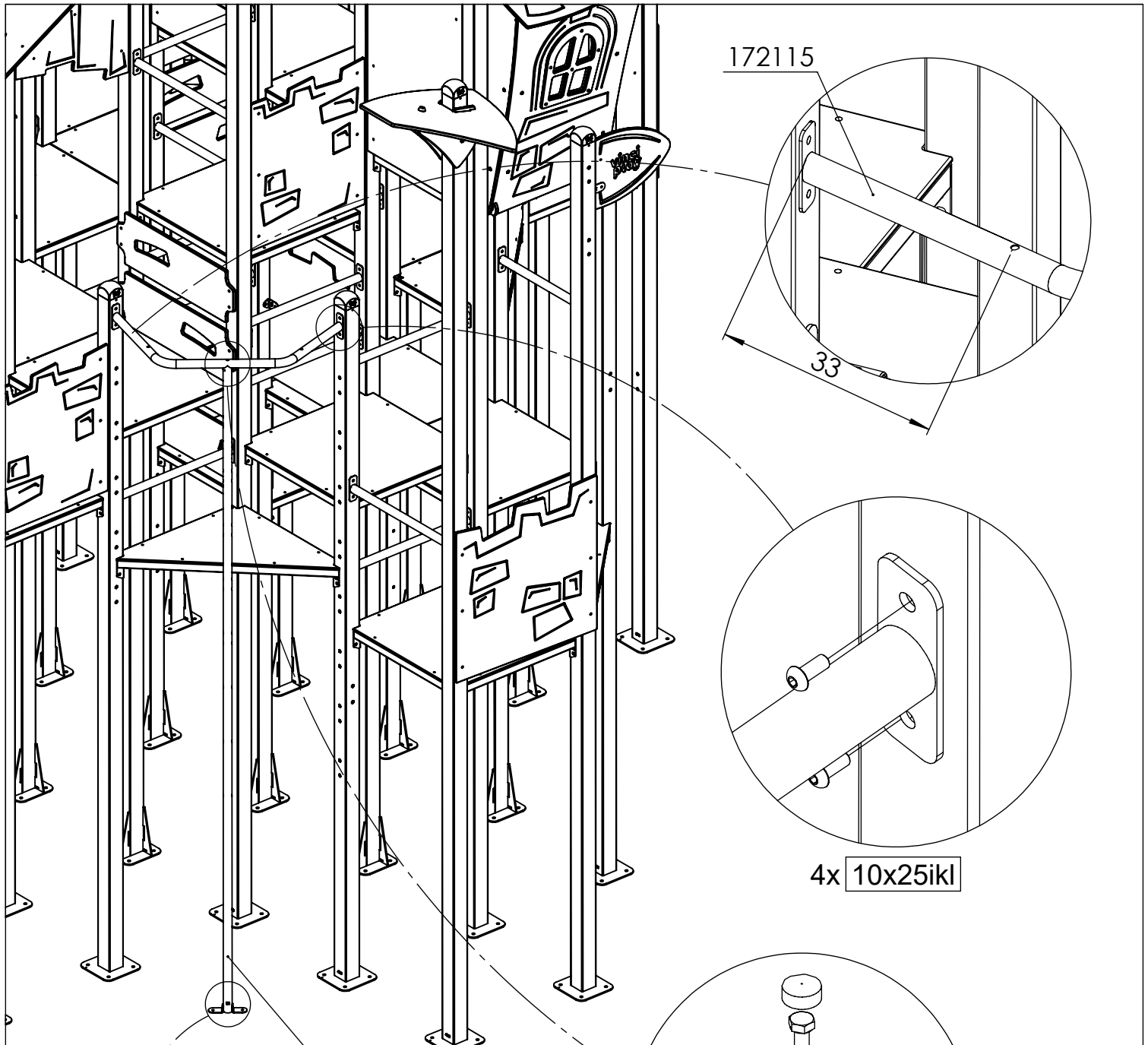
301132



6x 8x25ikl

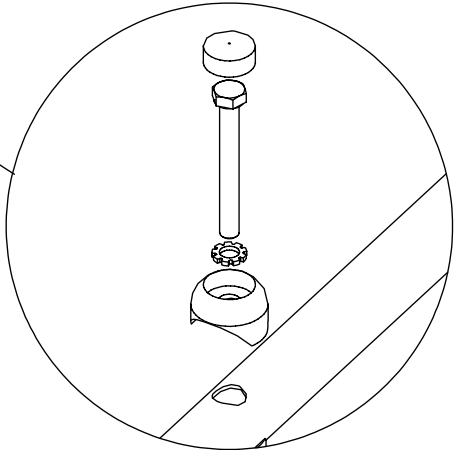


1x 17e111

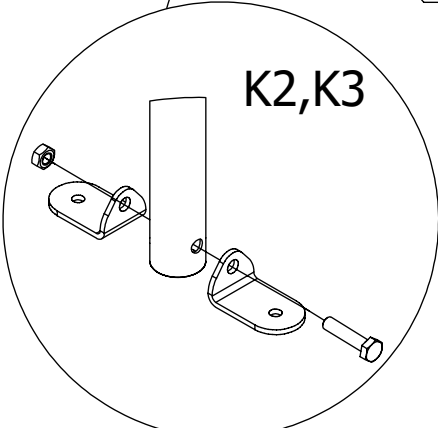


4x 10x25ikl

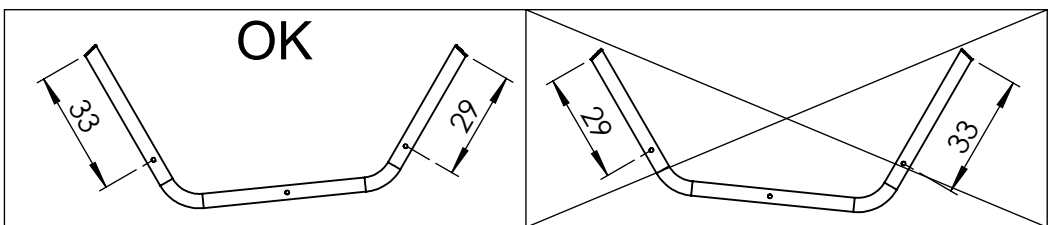
992311 K2
992355 K3



1x E39

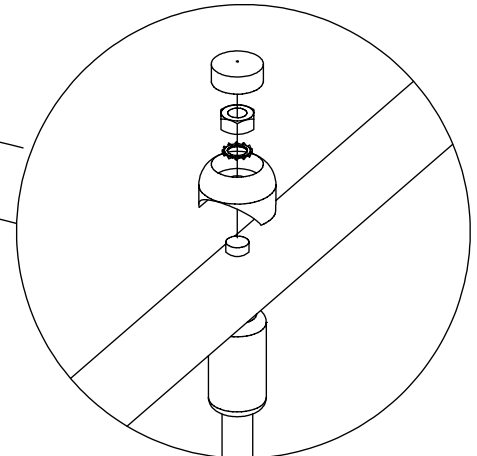
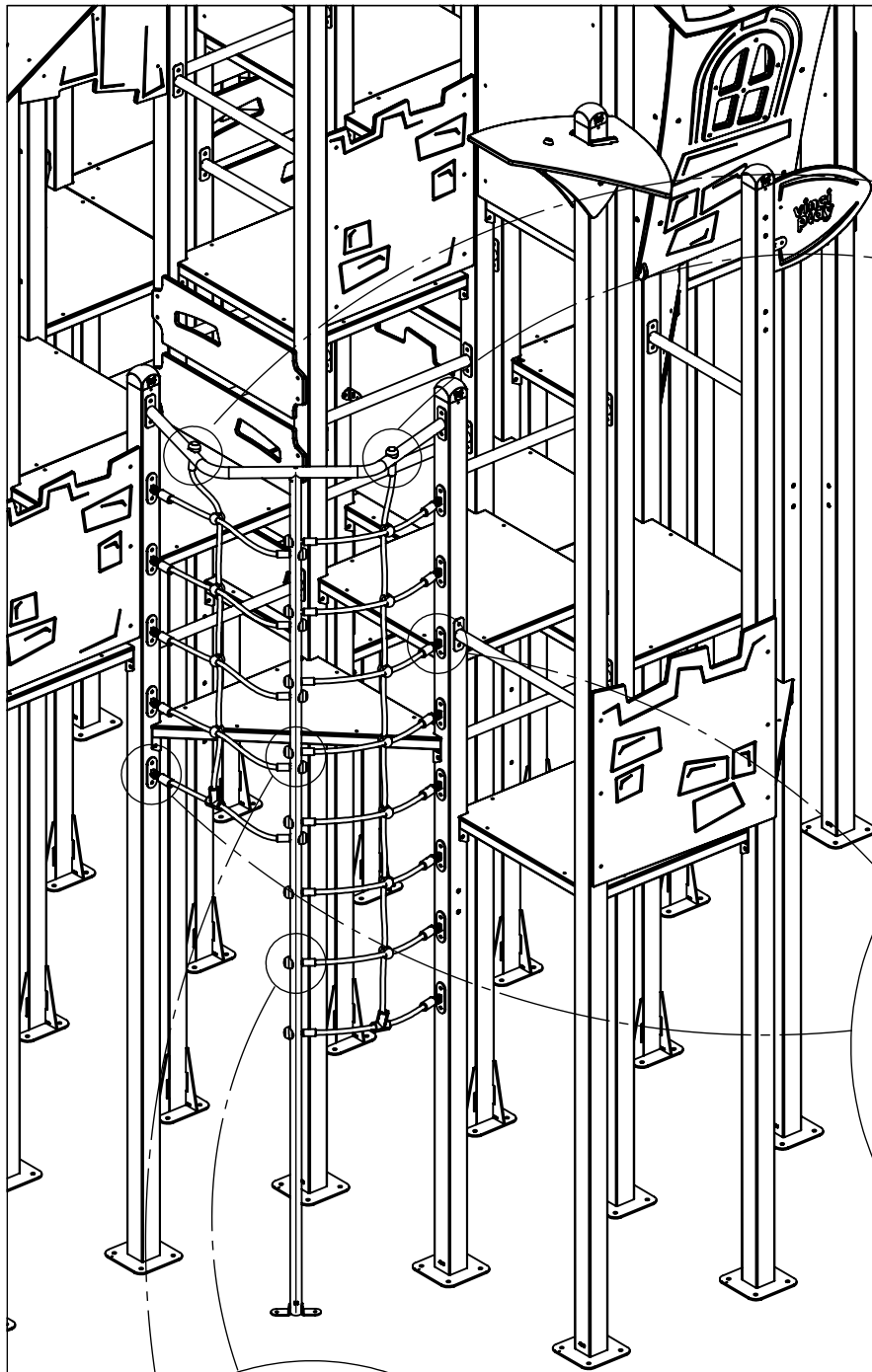


1x E38

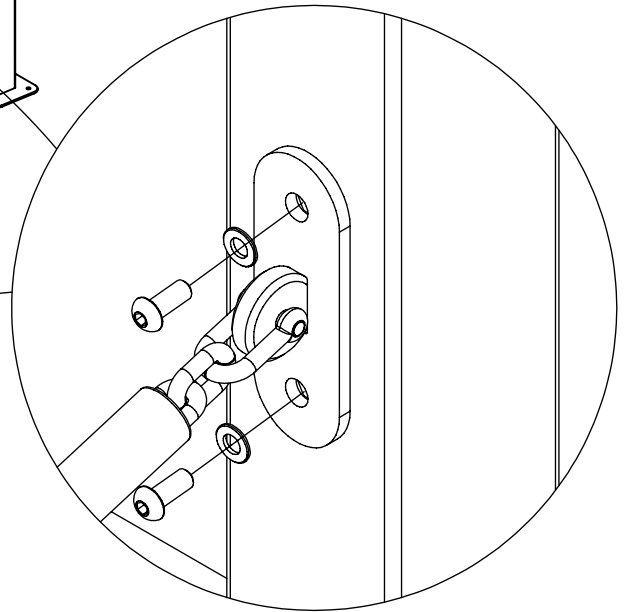


[cm]

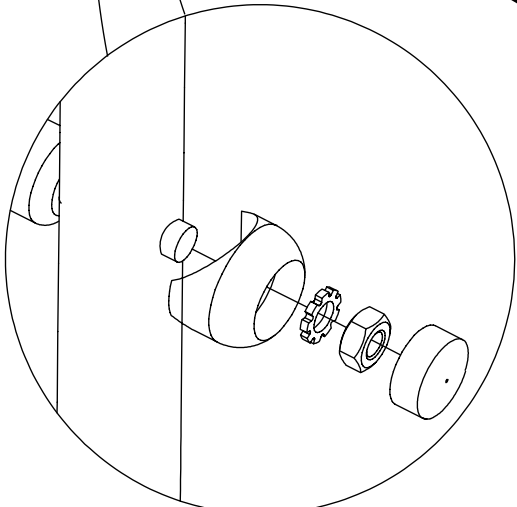
vinci
play



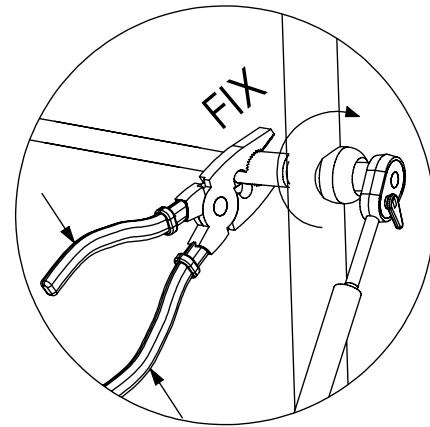
30e016
30e019



1x 30e075
26x 10x25ikl
26x 10pp



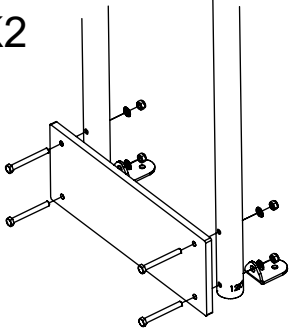
1x 30e016
1x 30e019



[cm]

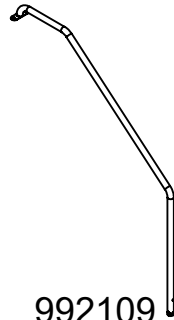
vinci
play

K2

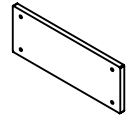


1x E80

K2

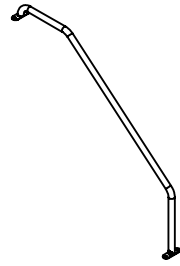


992109
x2

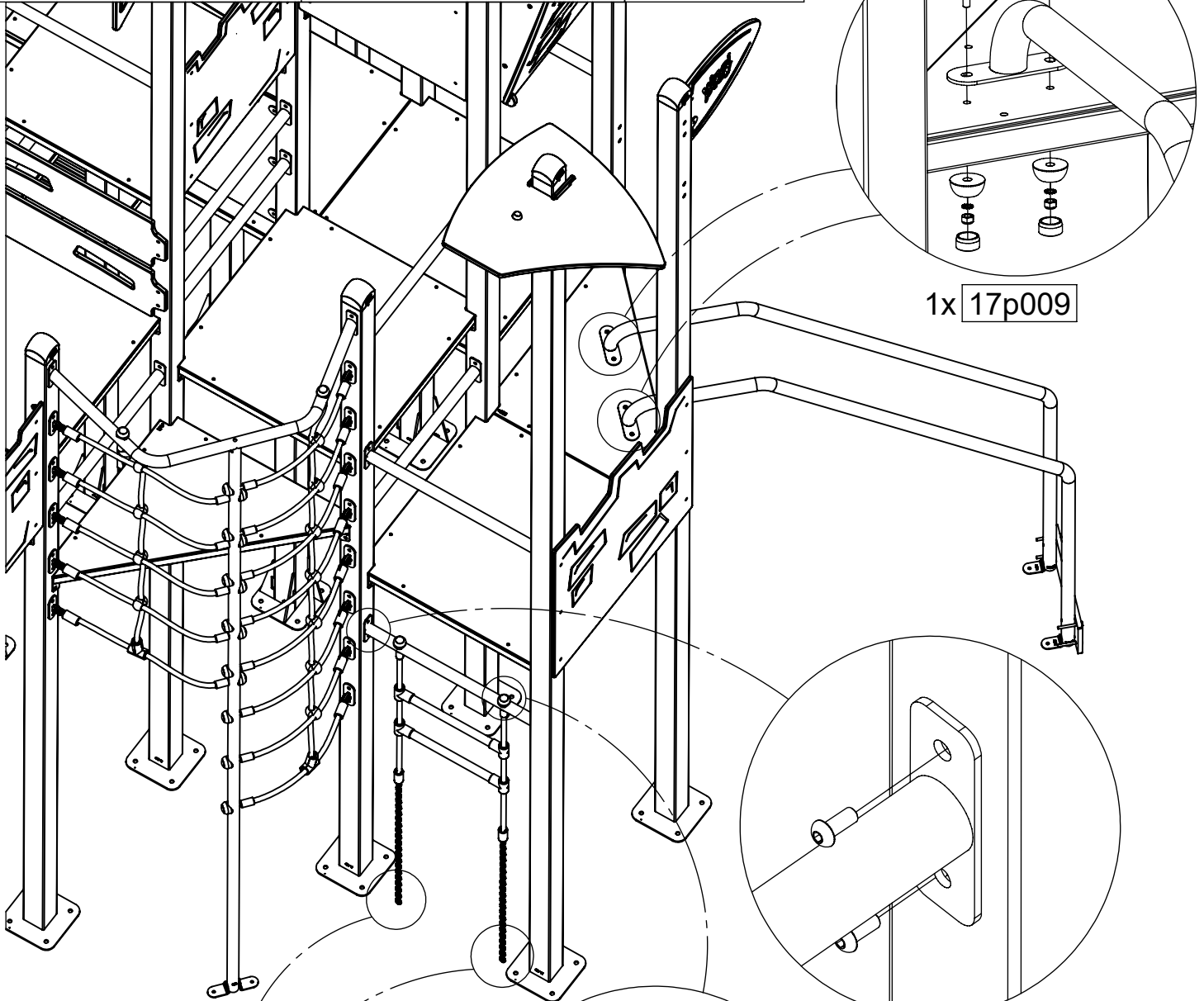


991229
x1

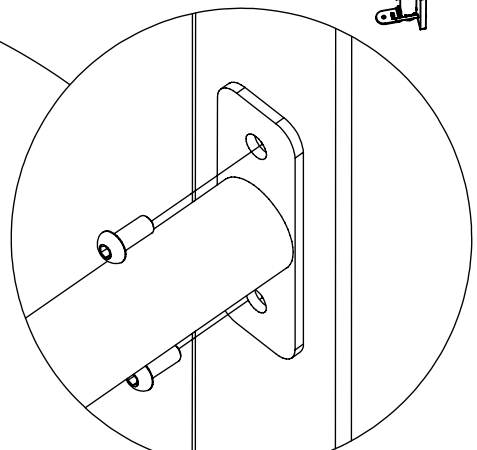
K3



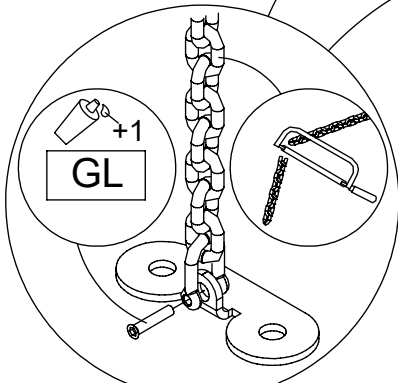
992138
x2



1x 17p009

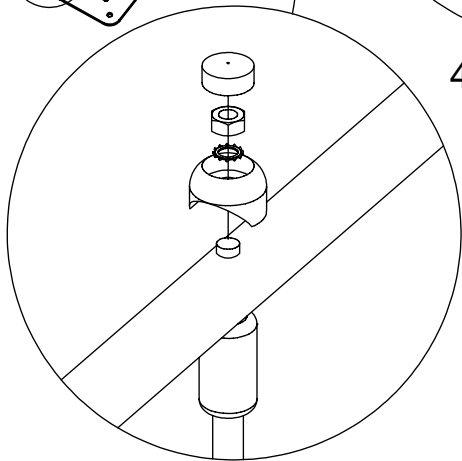


4x 10x25ikl



GL

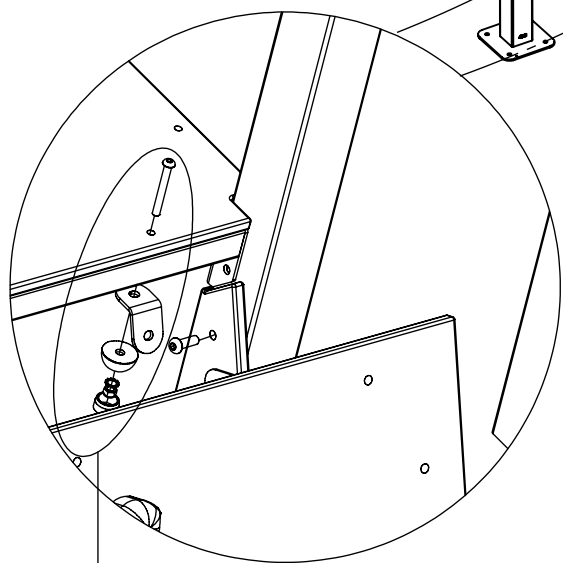
2x WD52



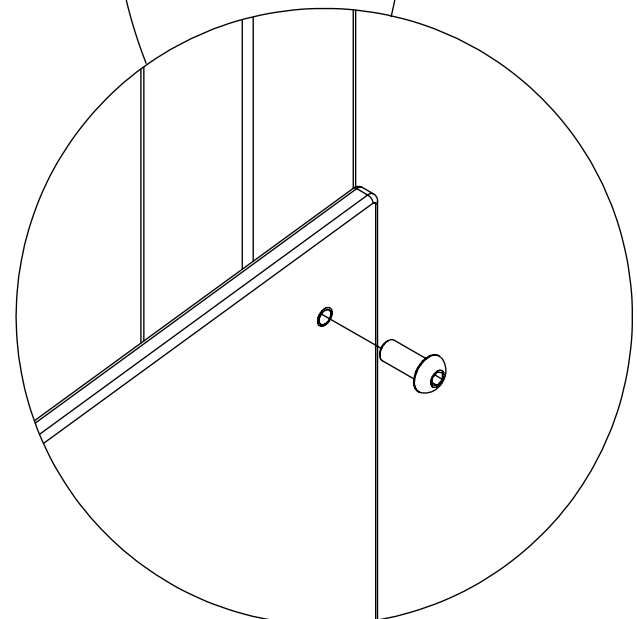
1x WD14-2

[cm]

vinci
play



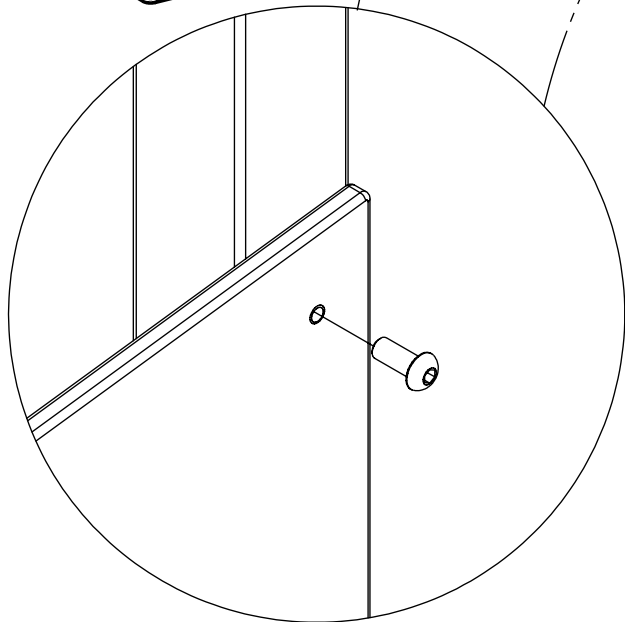
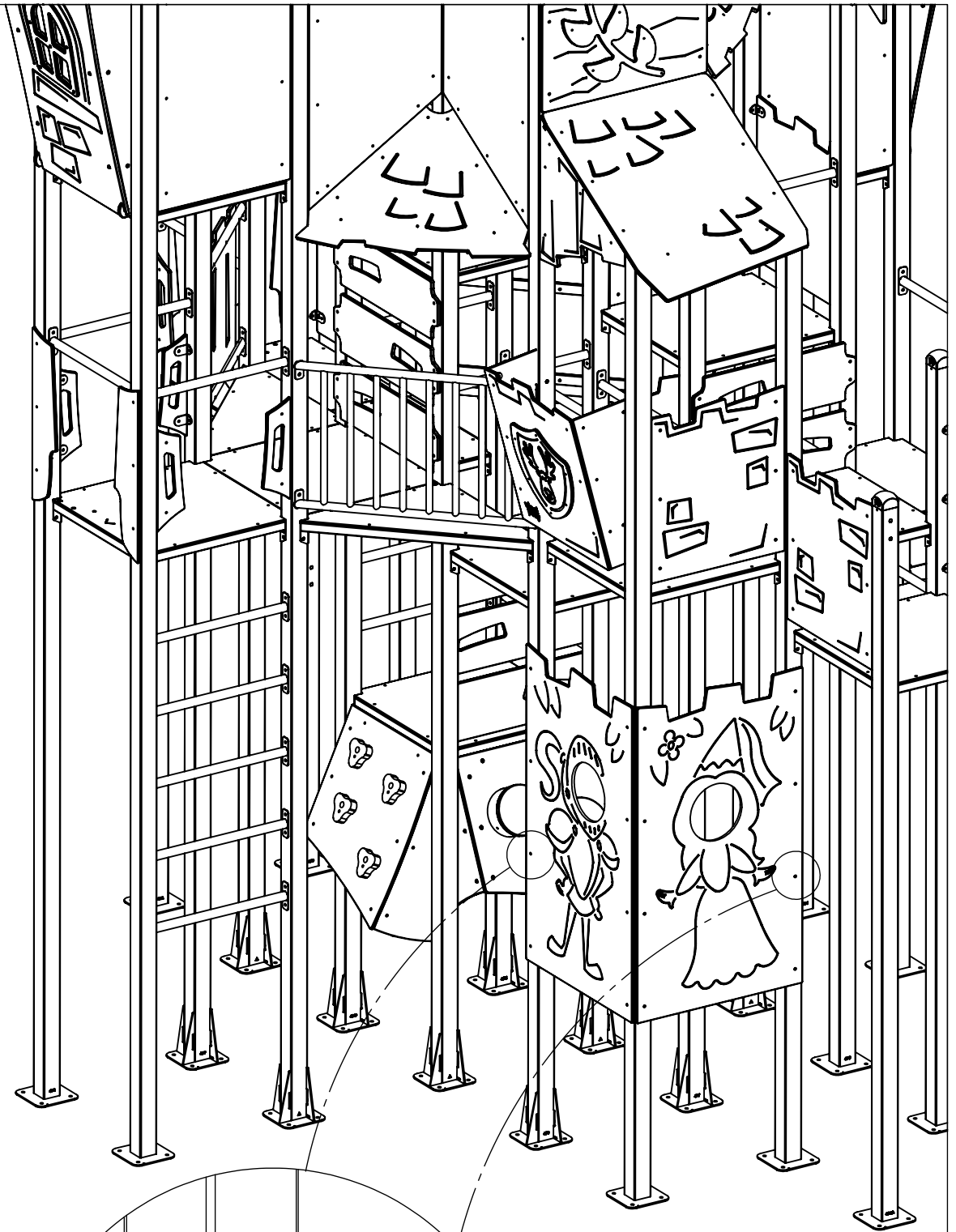
2x 17p021



12x 8x25ikl

[cm]

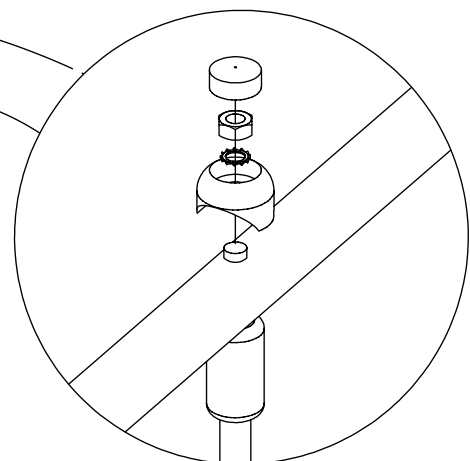
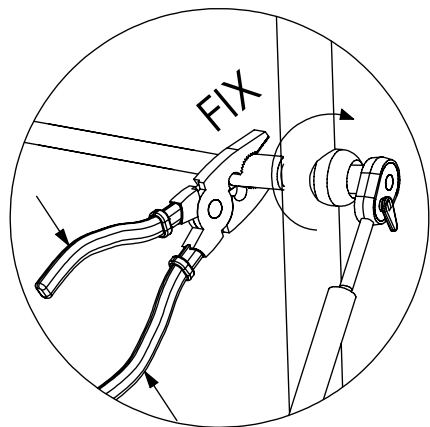
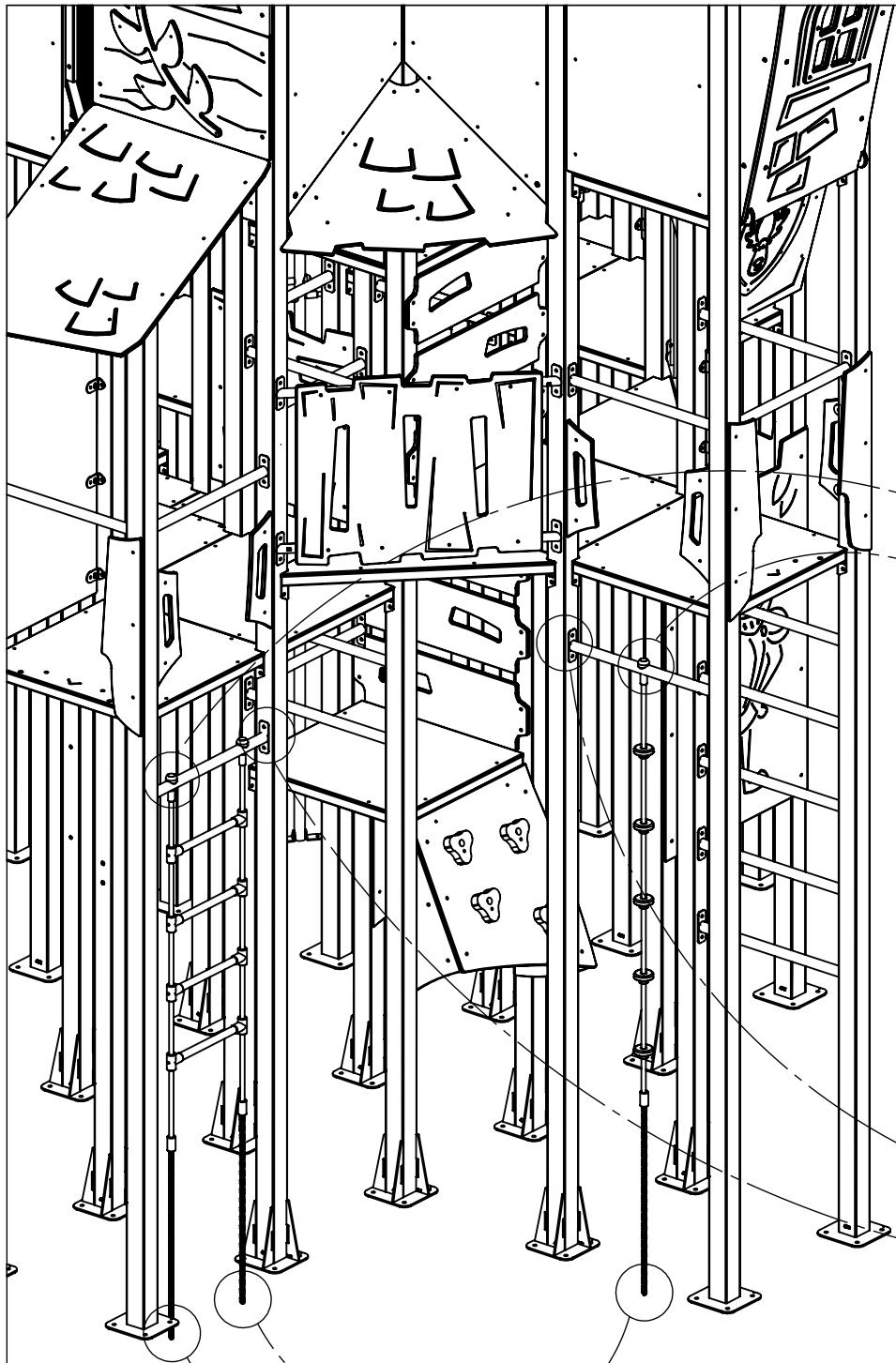
vinci
play



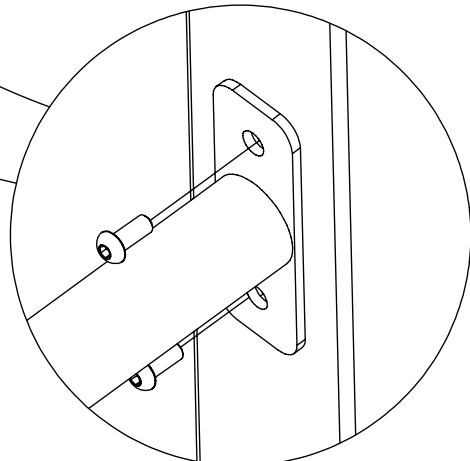
16x 8x25i|k|

[cm]

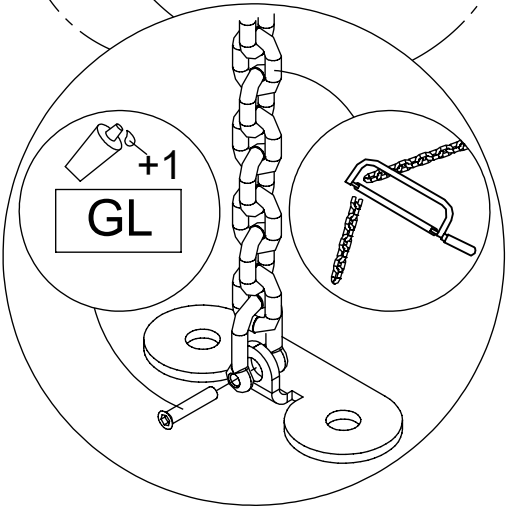
vinci
play



1x **WD14-3**



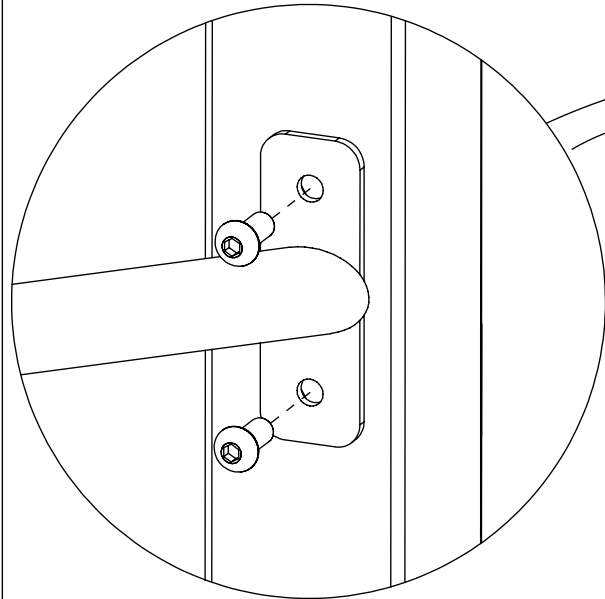
8x **10x25iKl**



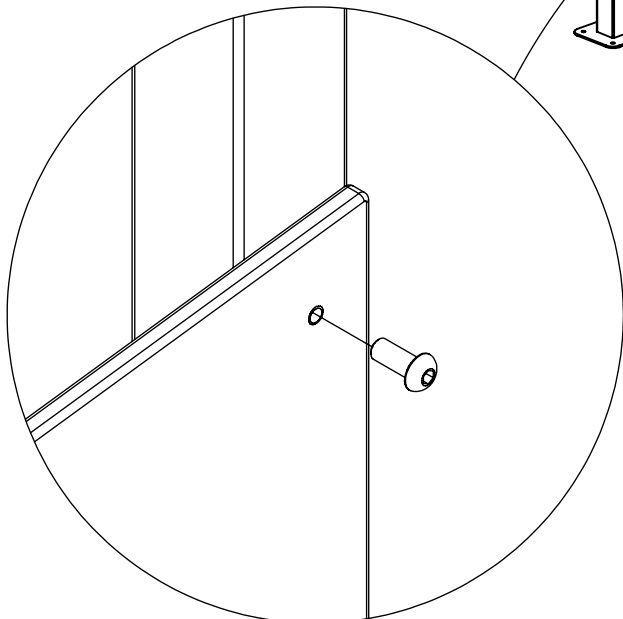
3x **WD52**

[cm]

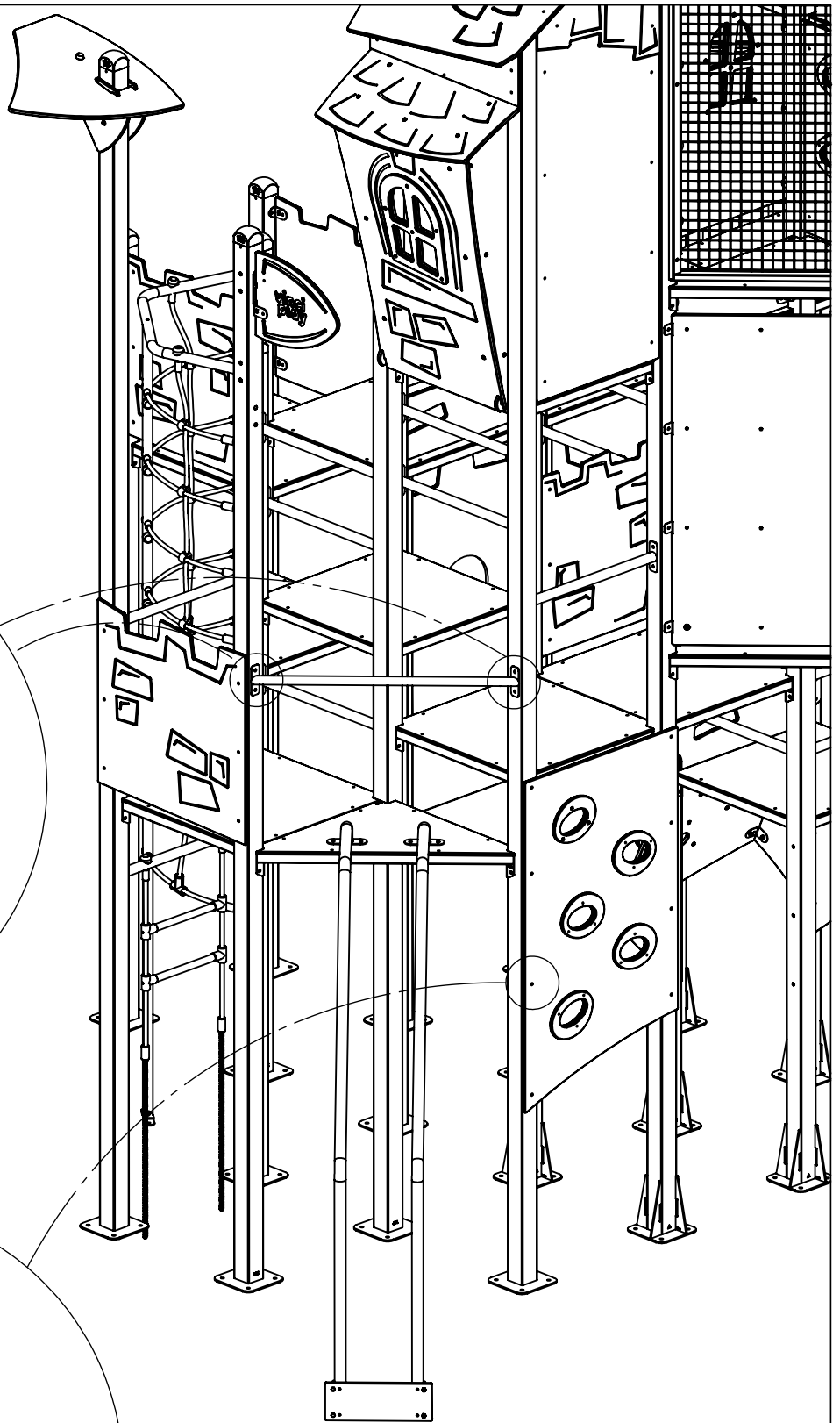
vinci
play



4x 10x25ikl

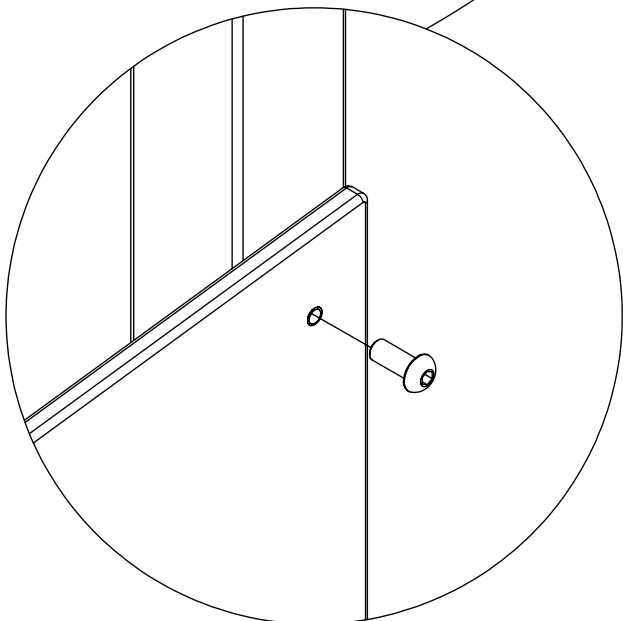
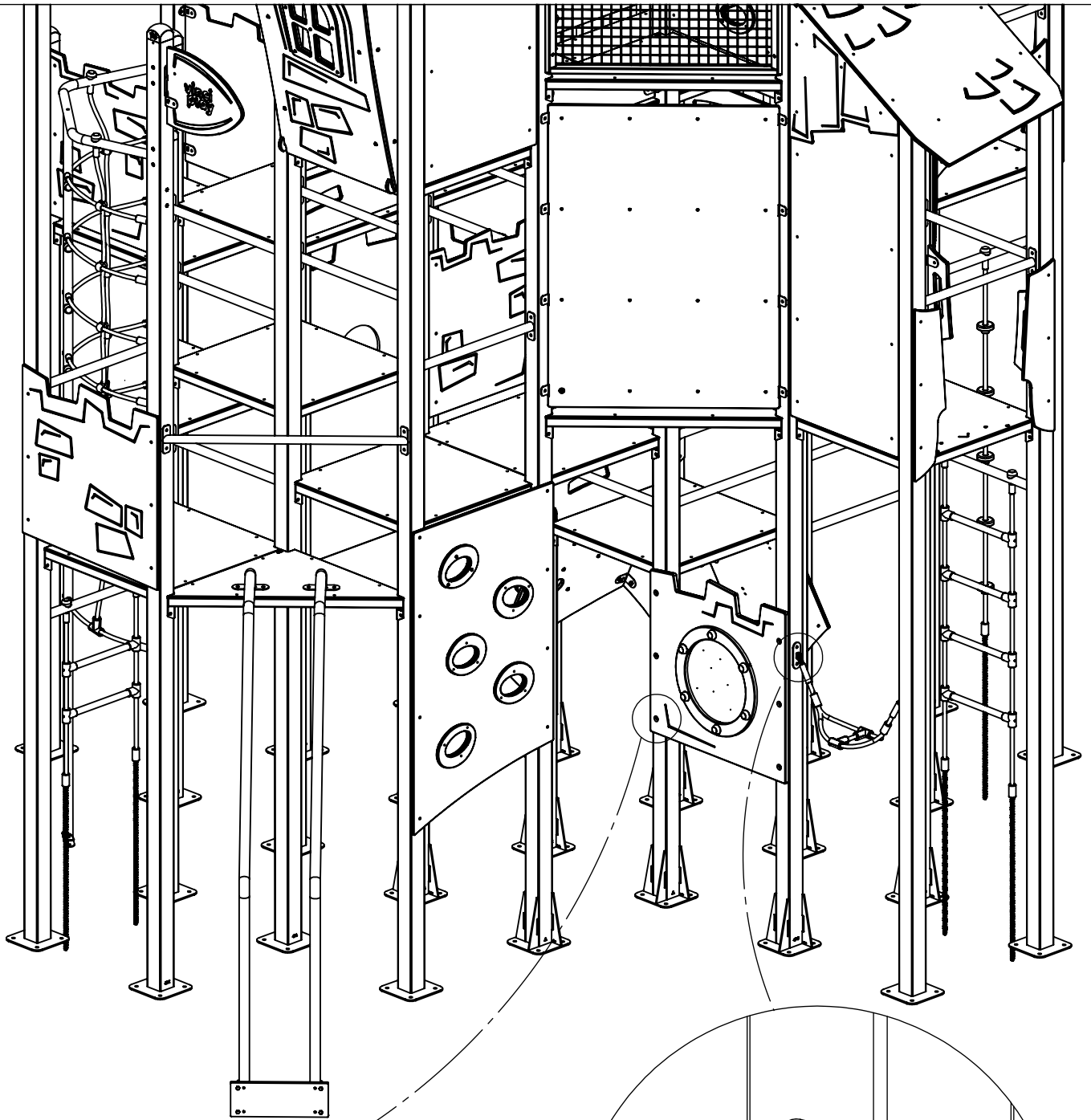


8x 8x25ikl

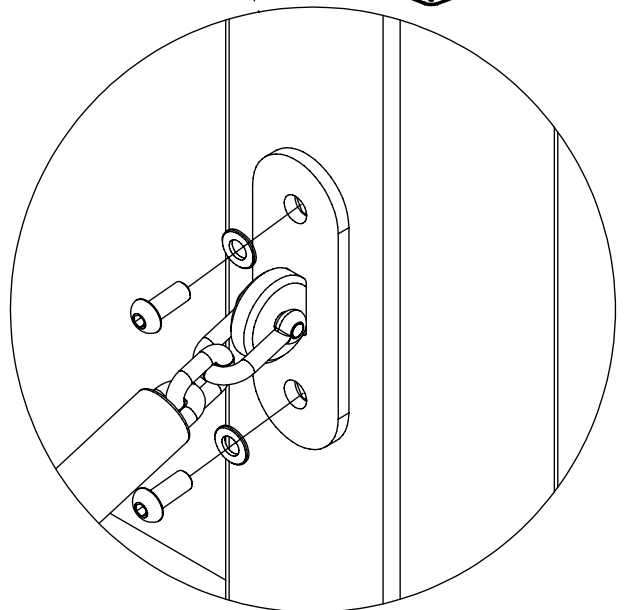


[cm]

vinci
play



6x 8x30ikl



1x 17e050

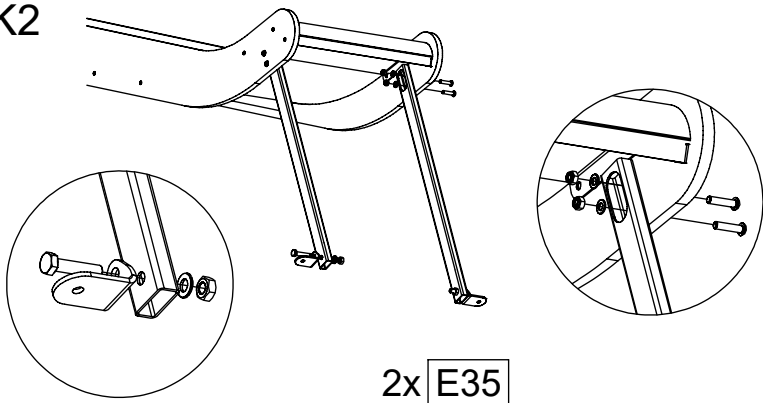
4x 10x25ikl

4x 10pp

[cm]

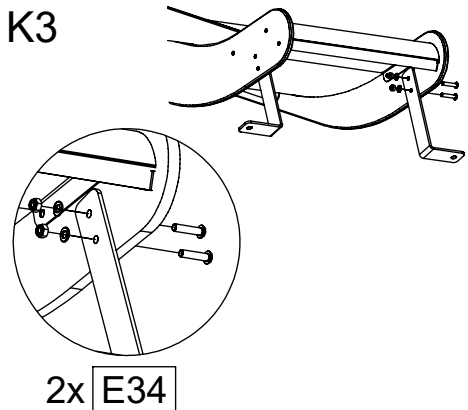
vinci
play

K2

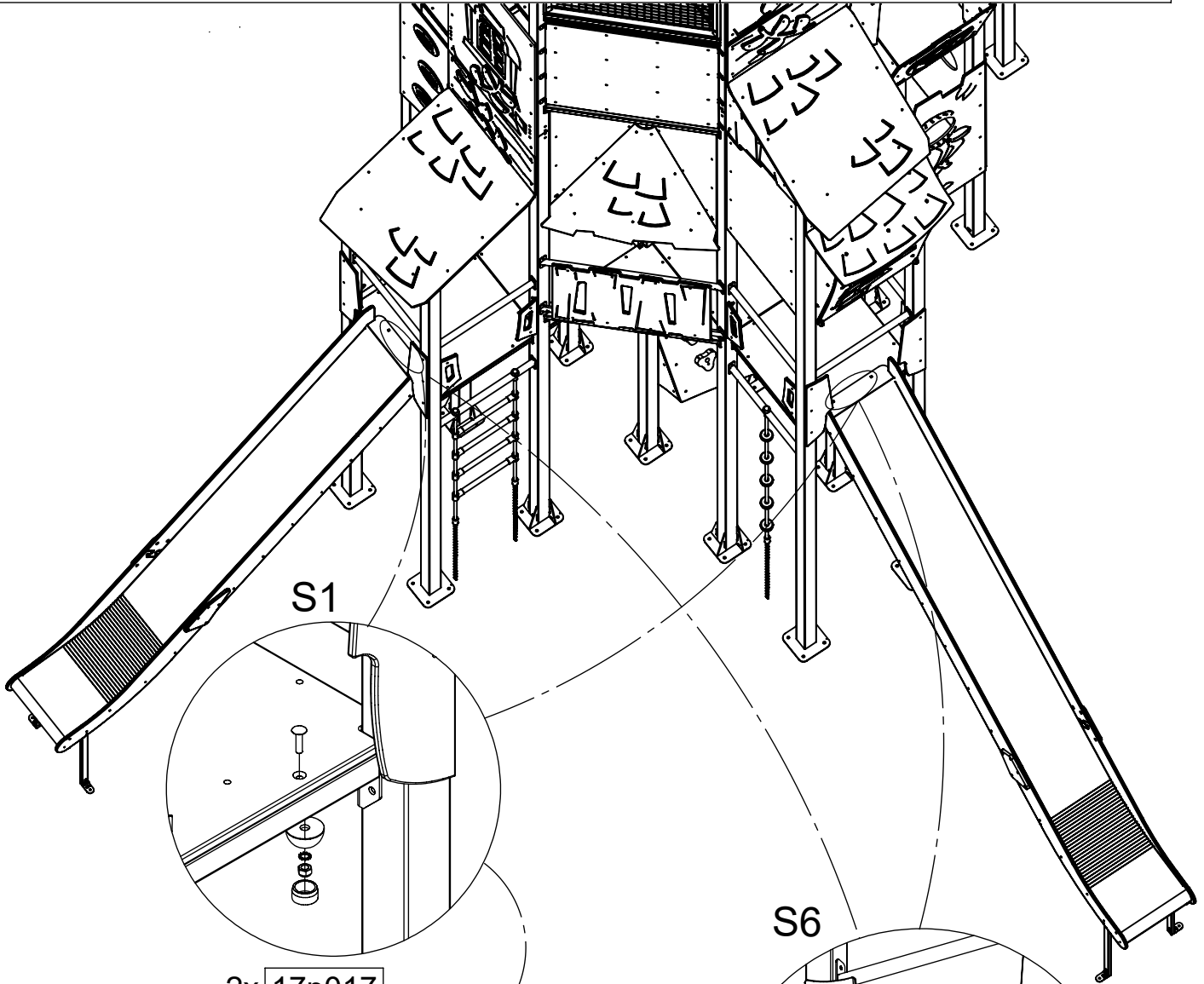


2x E35

K3



2x E34



S1

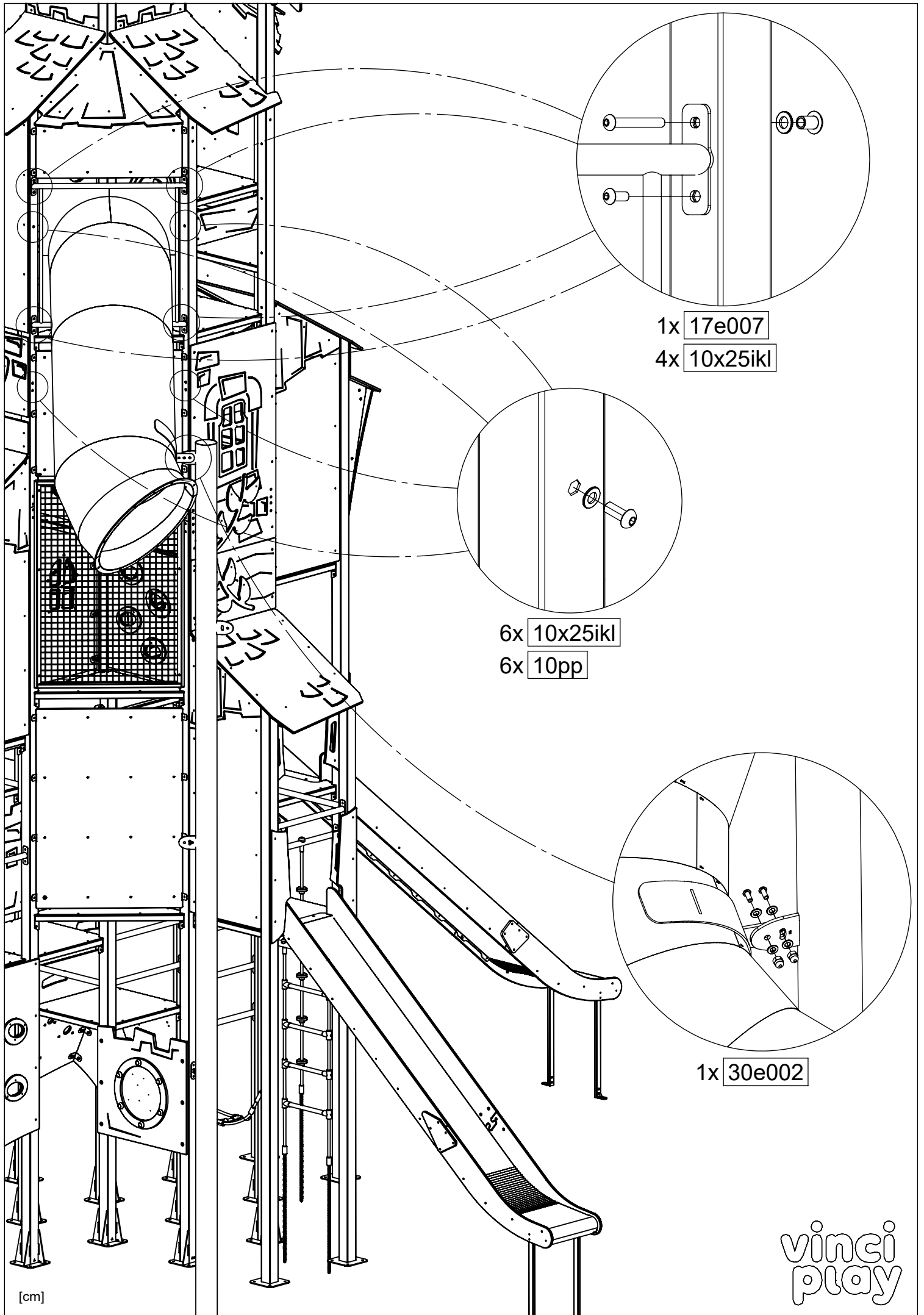
S6

2x 17p017

2x 17p019

[cm]

vinci
play



1x 17e007

4x 10x25ikl

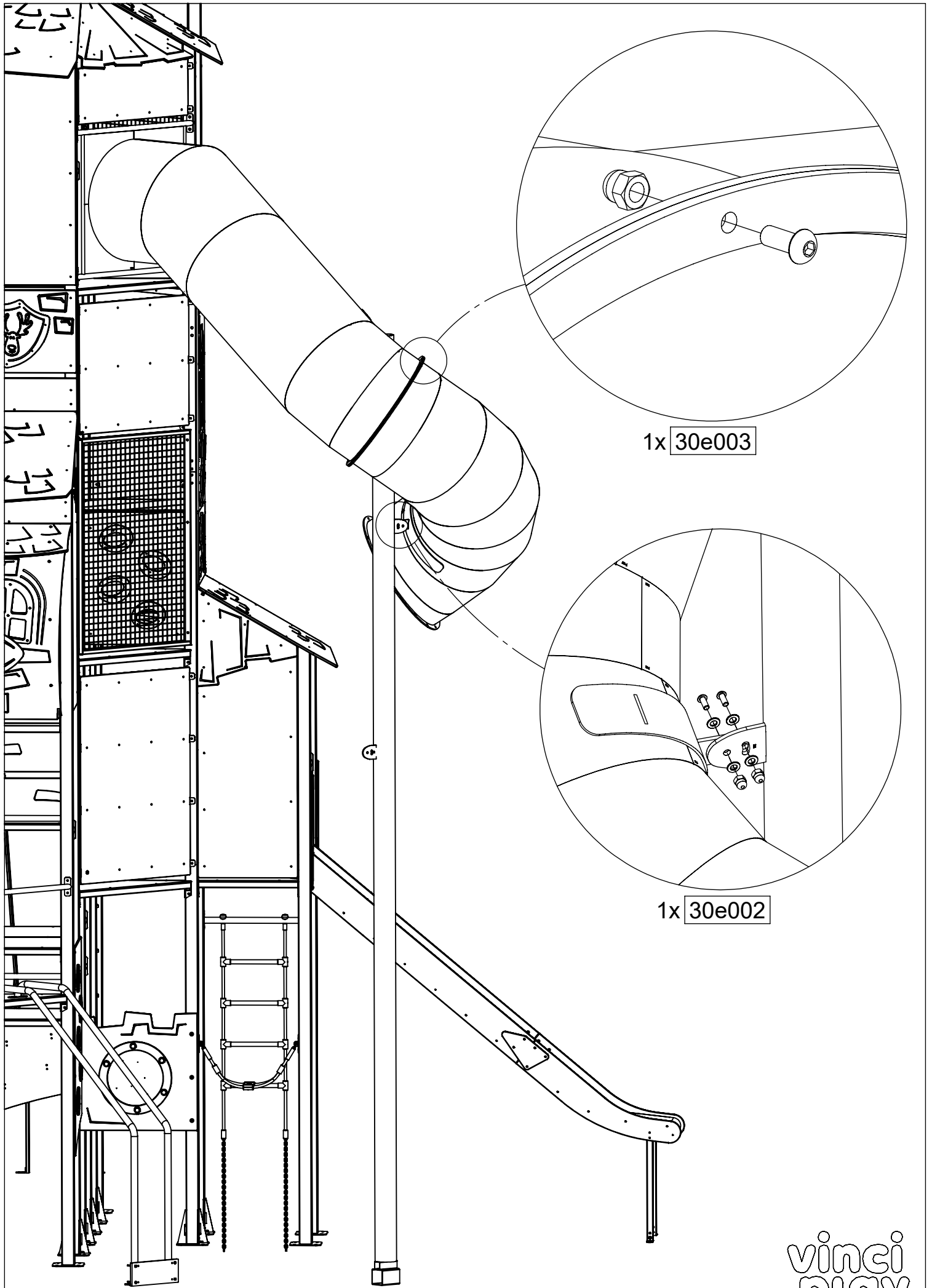
6x 10x25ikl

6x 10pp

1x 30e002

[cm]

vinci
play

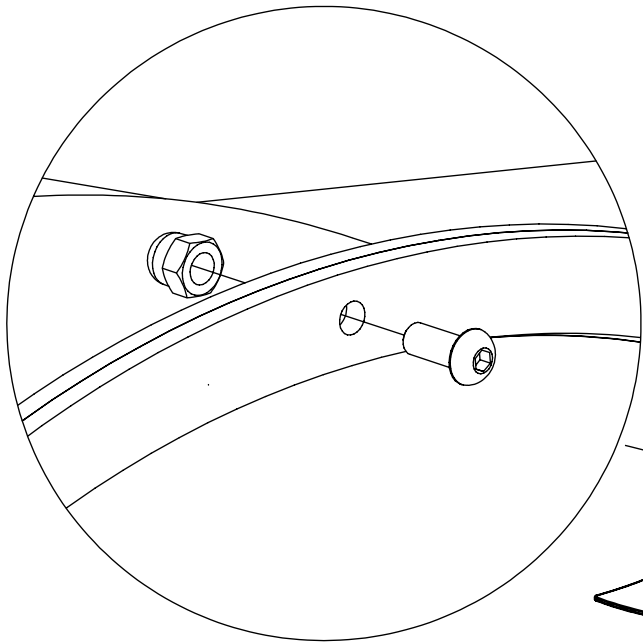


1x 30e003

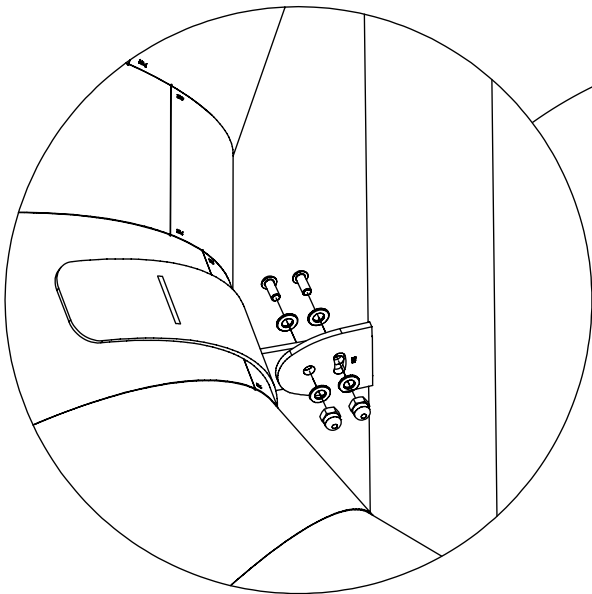
1x 30e002

[cm]

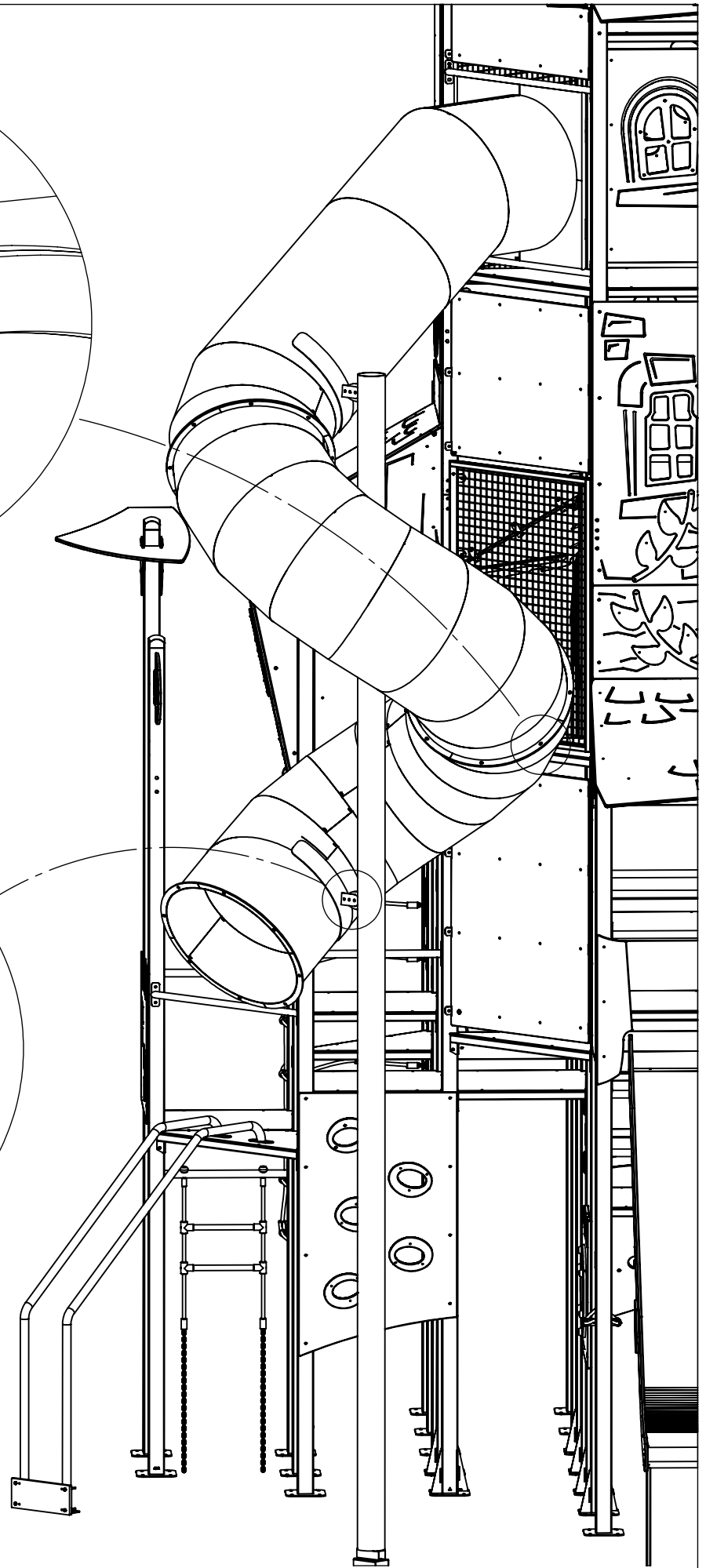
vinci
play



1x 30e003



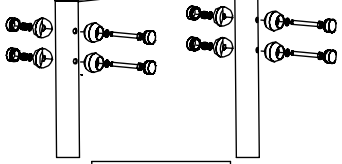
1x 30e002



[cm]

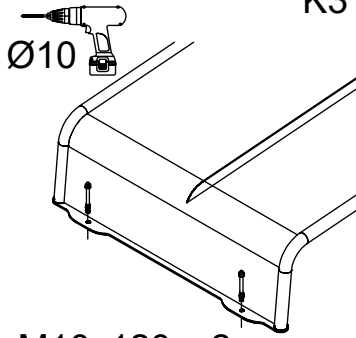
vinci
play

K2

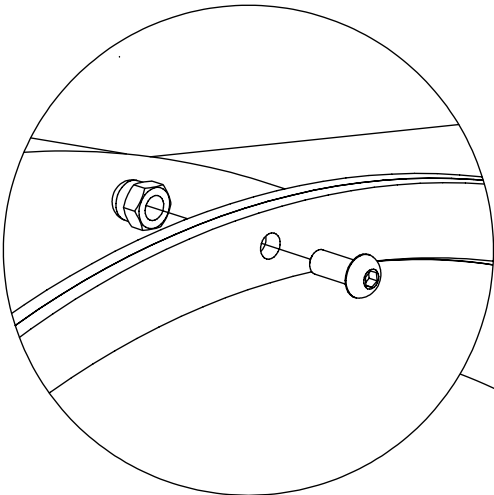


1x 30e010

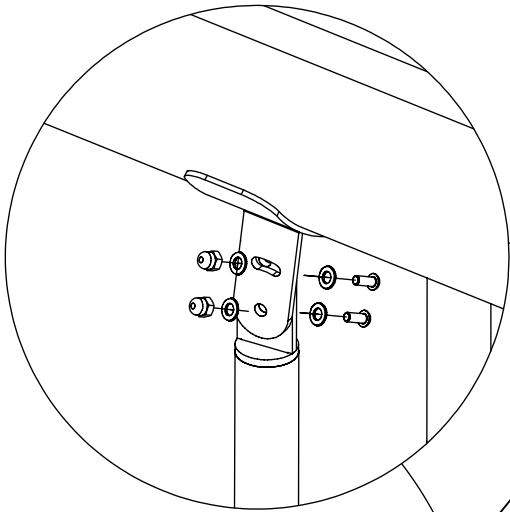
K3



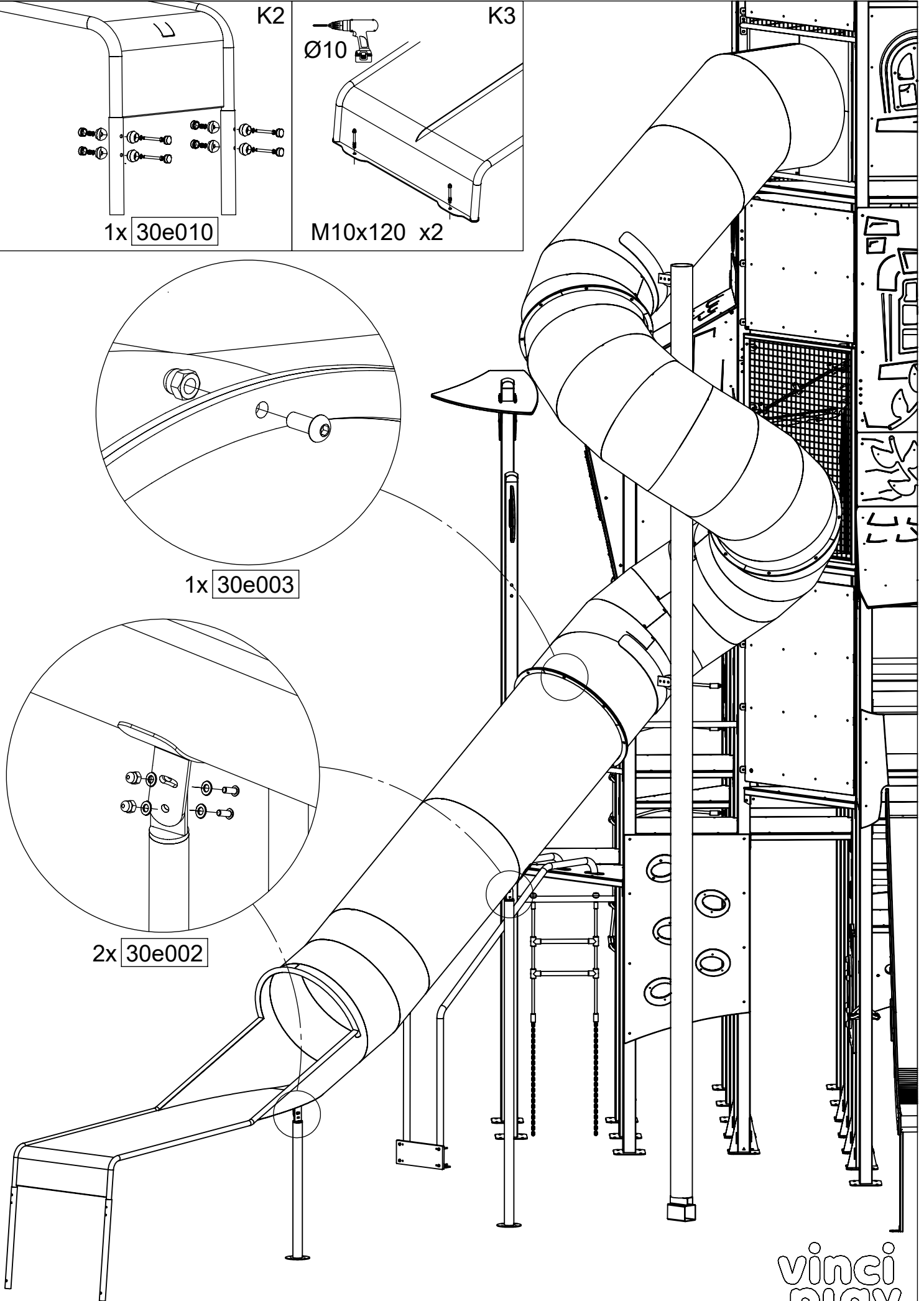
M10x120 x2



1x 30e003



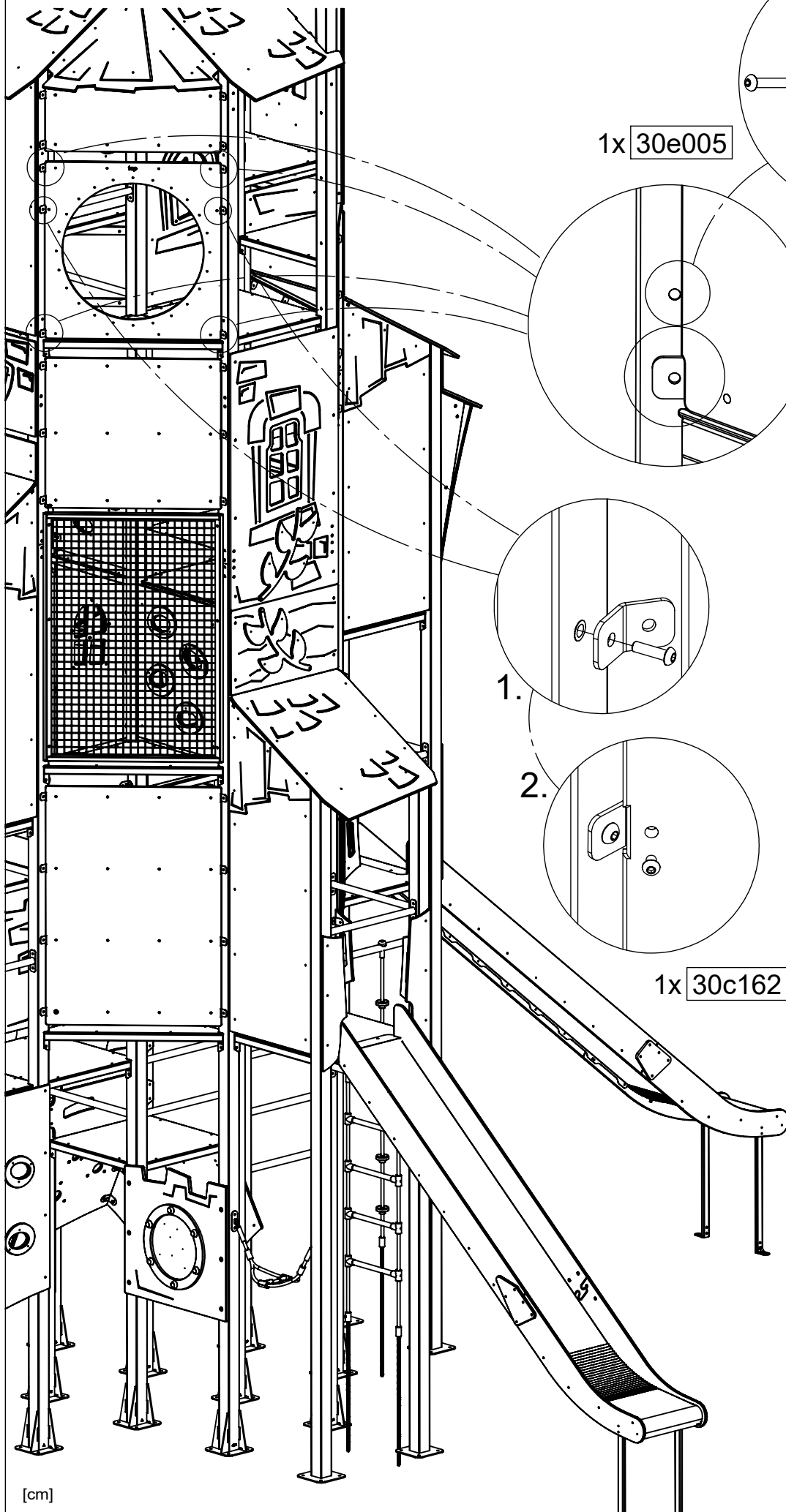
2x 30e002



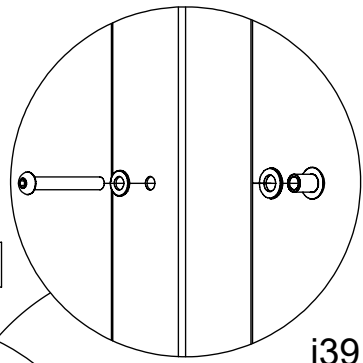
[cm]

vinci play

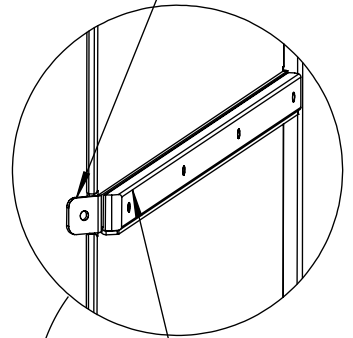
3045-1.01S2



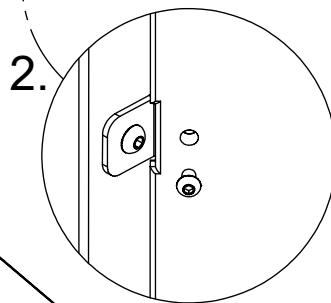
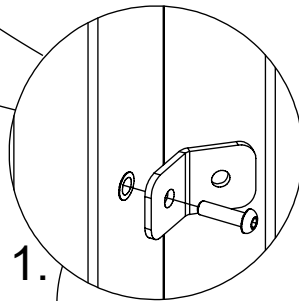
1x 30e005



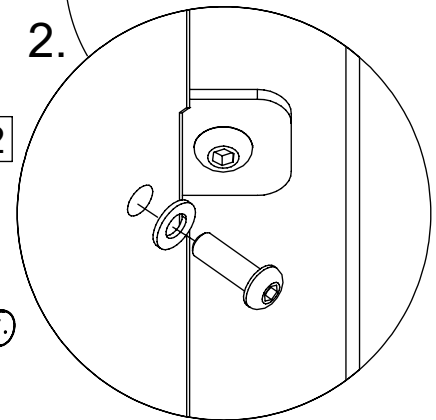
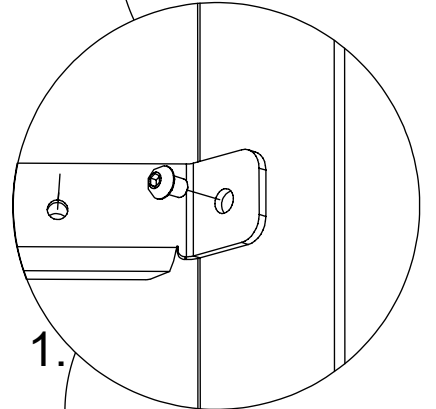
i391



301243



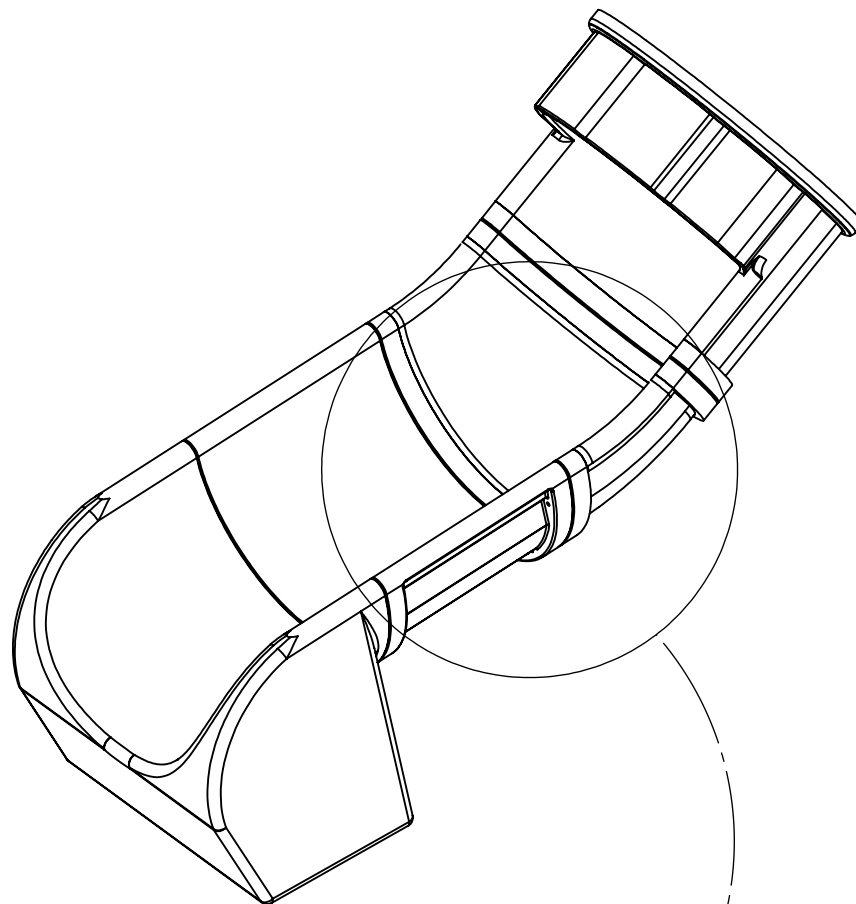
1x 30c162



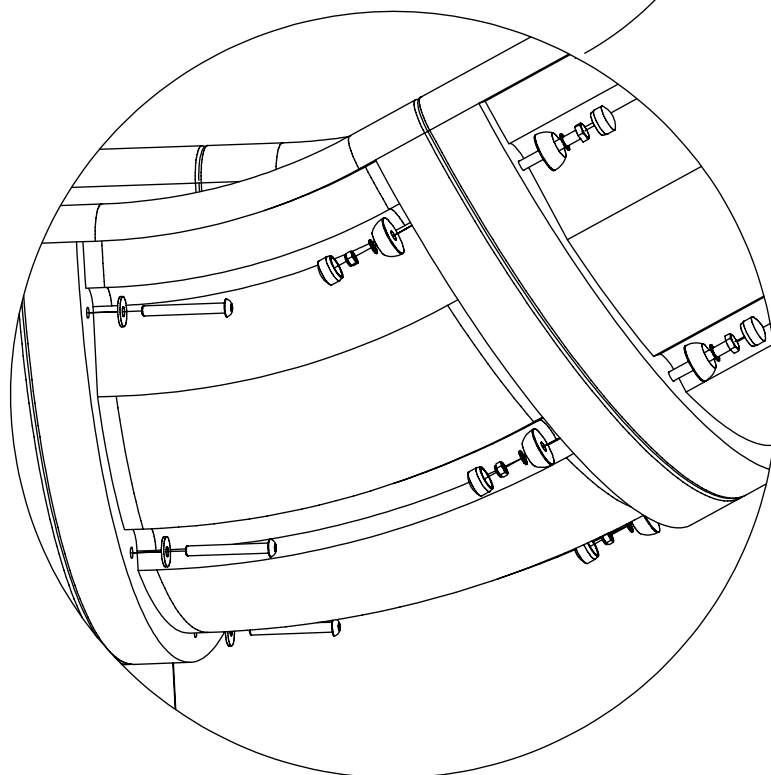
[cm]

vinci
play

3045-1.01S2



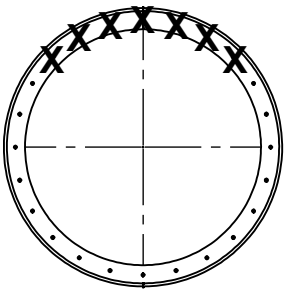
1x 30e102



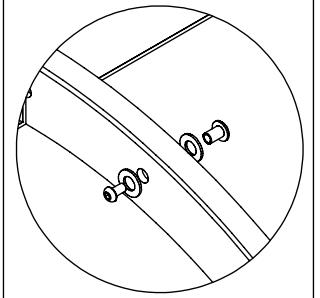
[cm]

vinci
play

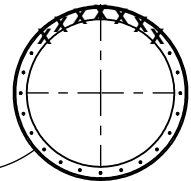
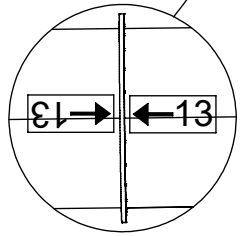
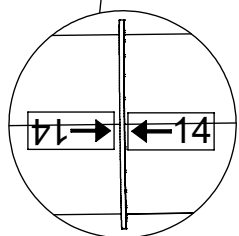
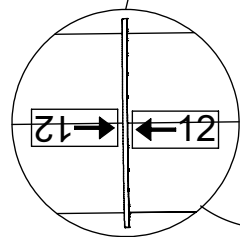
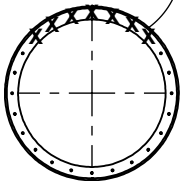
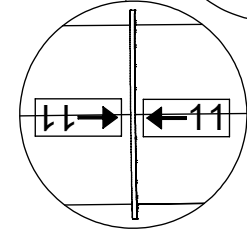
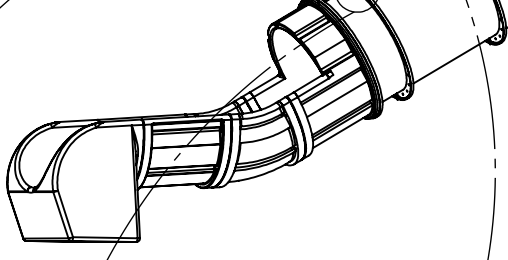
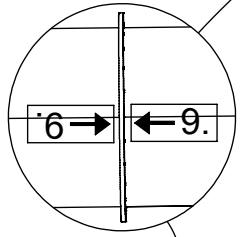
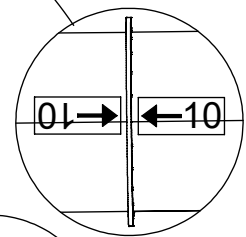
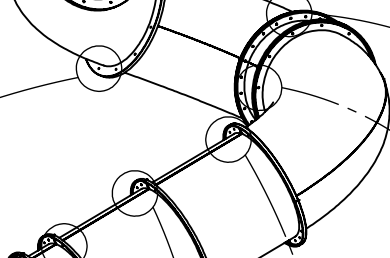
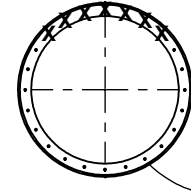
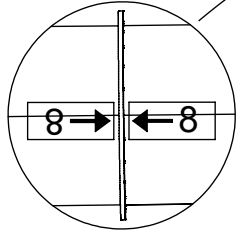
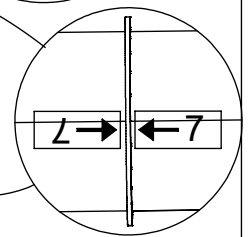
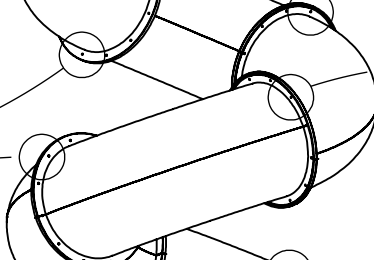
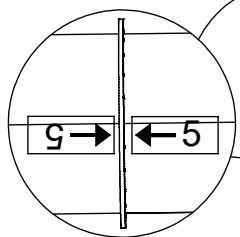
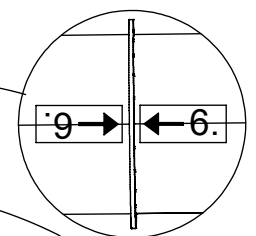
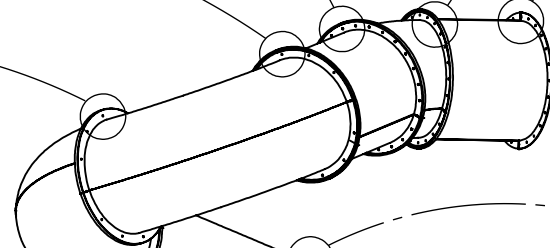
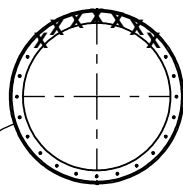
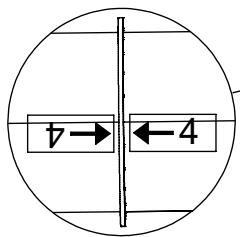
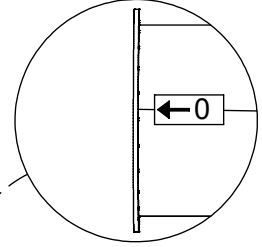
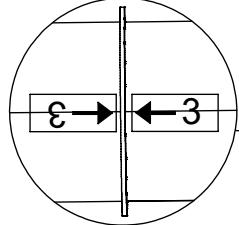
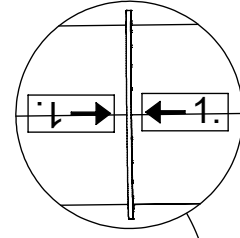
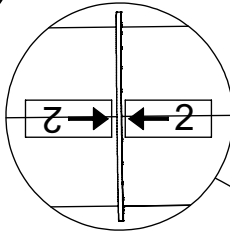
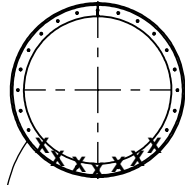
3045-1.01S2



5x 30e095



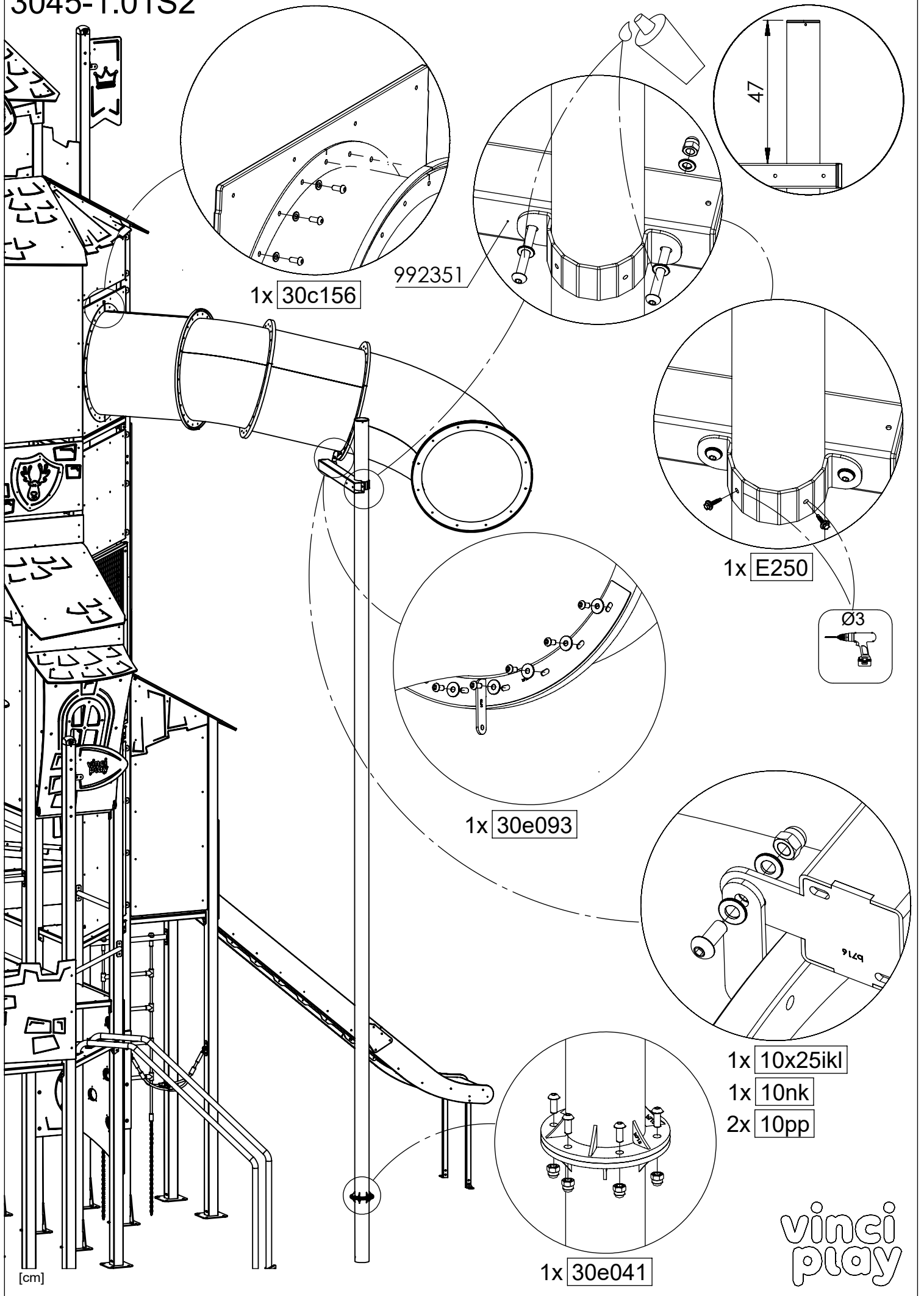
9x 30e090



[cm]

vinci play

3045-1.01S2



1x 30c156

992351

47

1x E250

Ø3

1x 30e093

1x 10x25ikl

1x 10nk

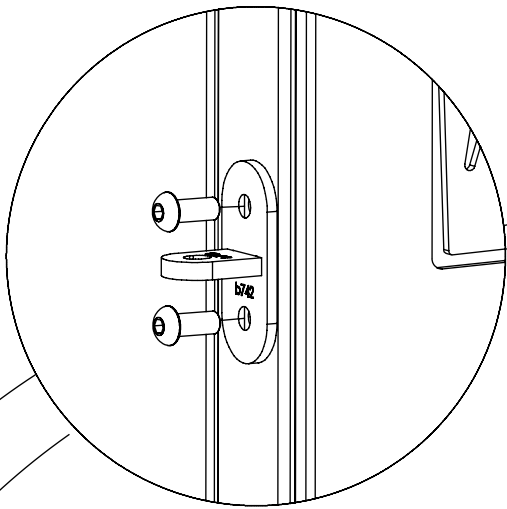
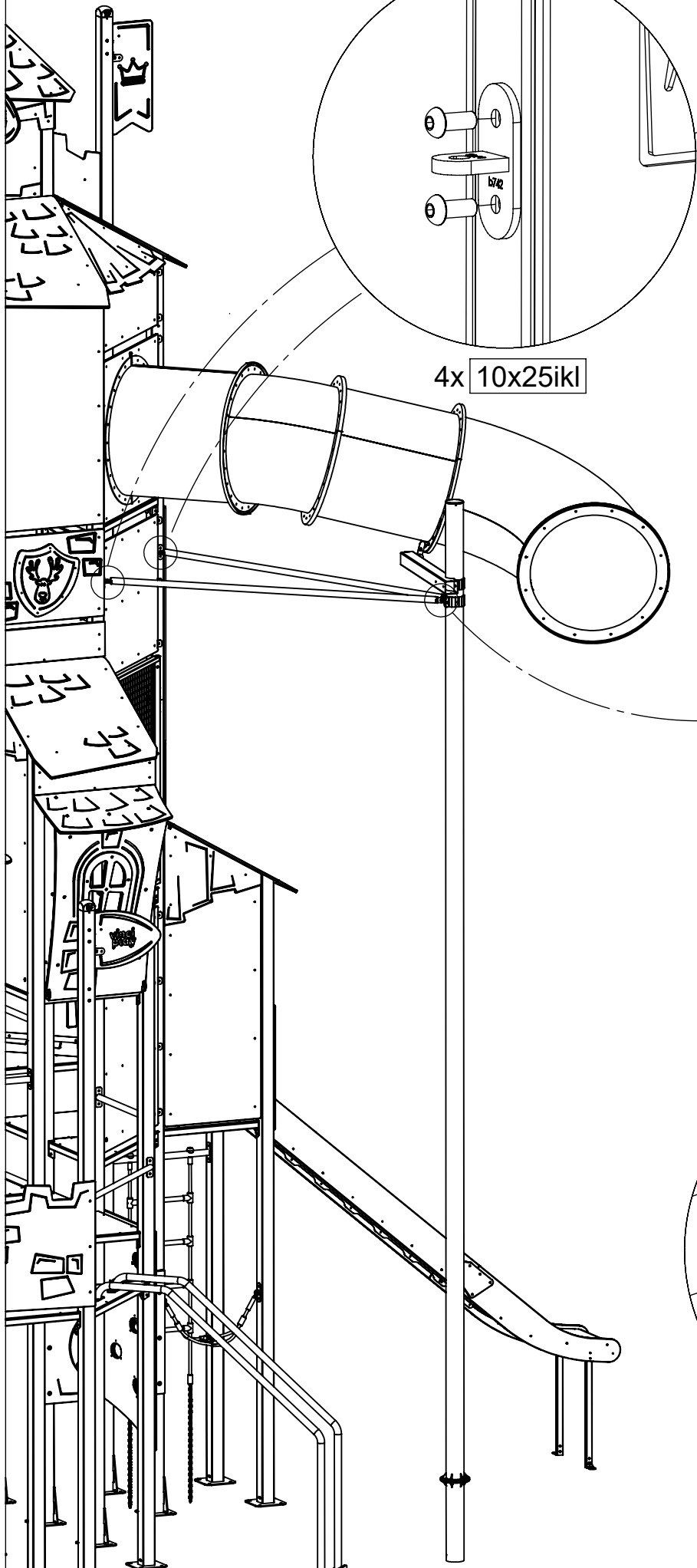
2x 10pp

1x 30e041

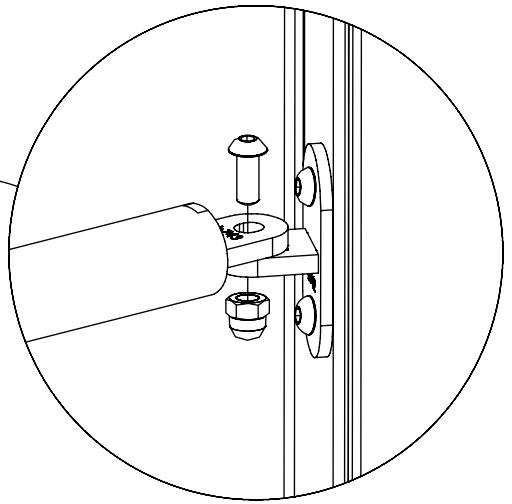
[cm]

vinci
play

3045-1.01S2

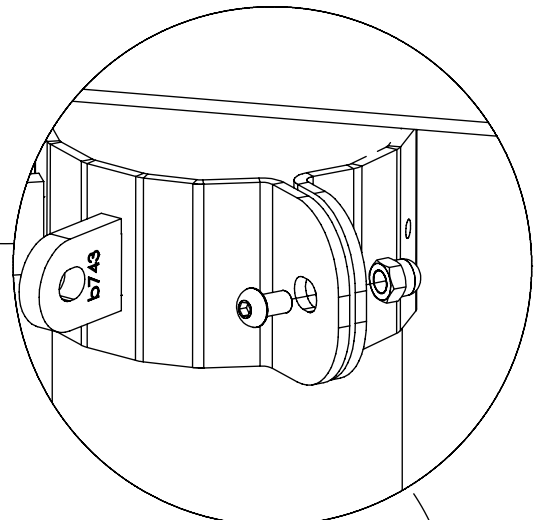


4x 10x25ikl



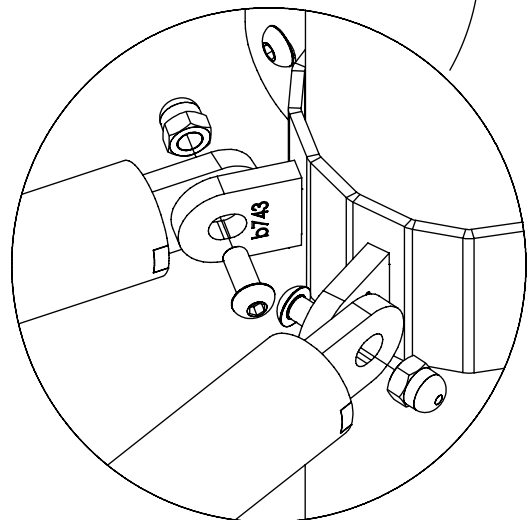
2x 10x25ikl

2x 10nk



2x 10x20ikl

2x 10nk



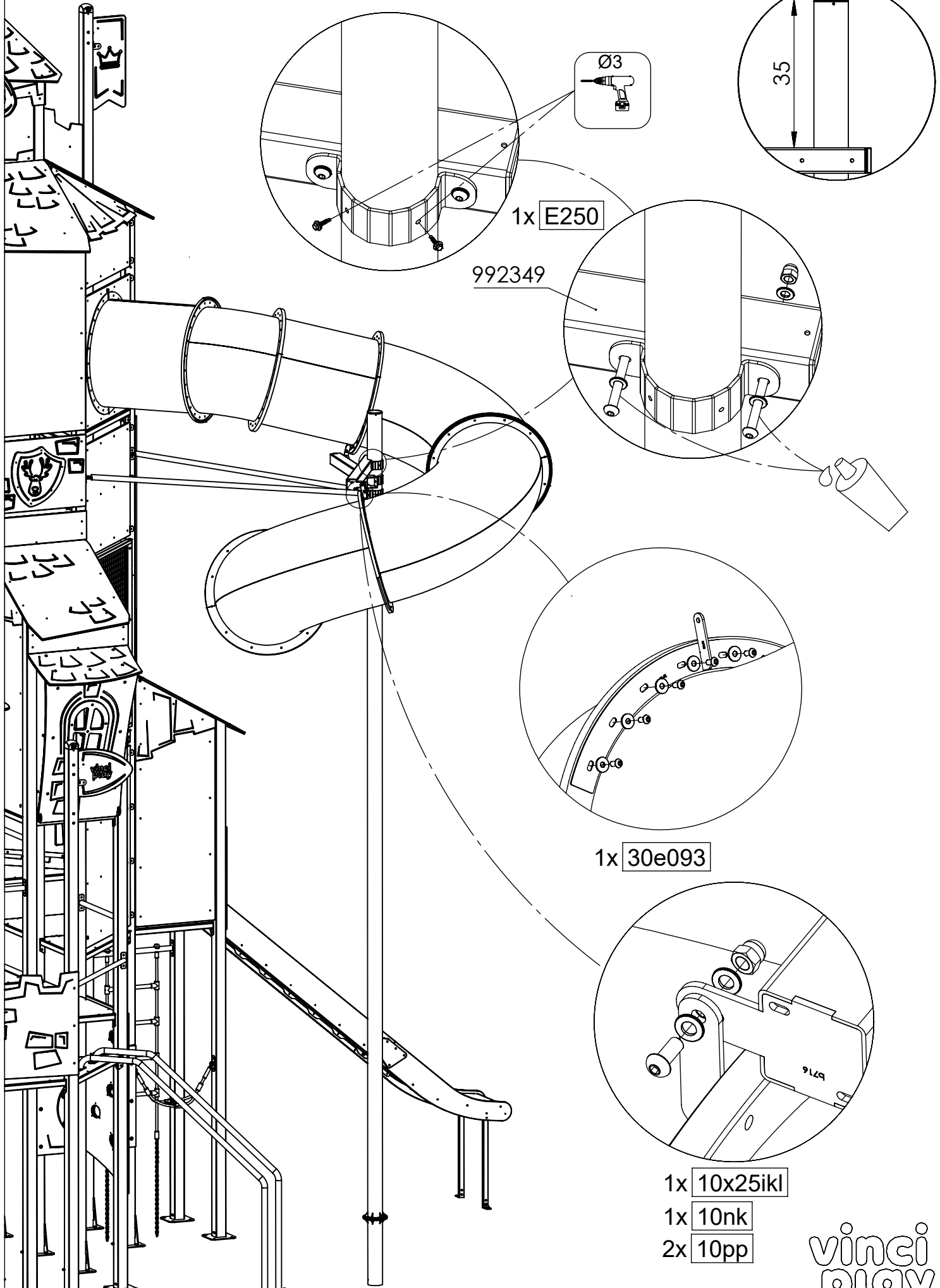
2x 10x25ikl

2x 10nk

[cm]

vinci
play

3045-1.01S2

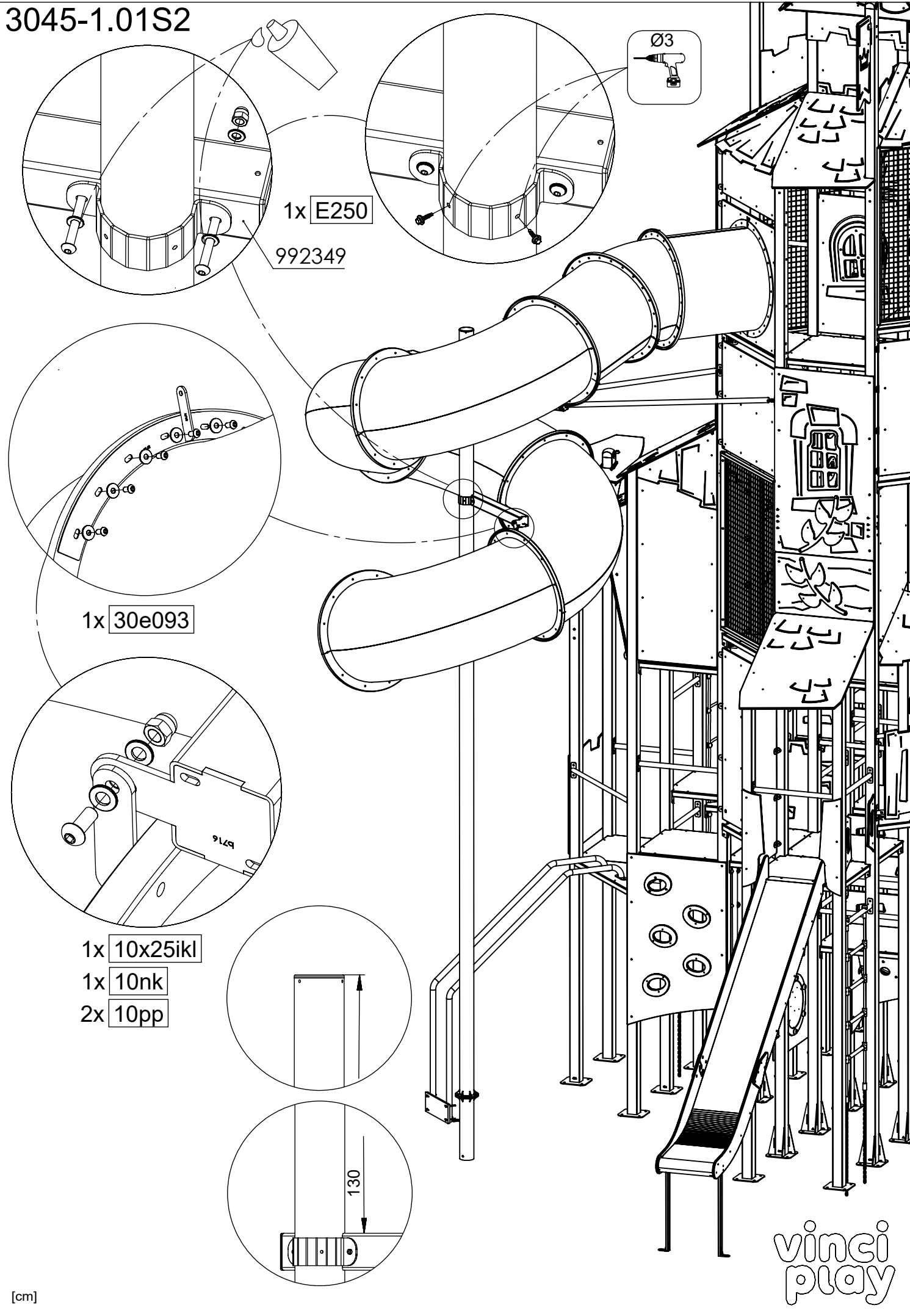


[cm]

- 1x 10x25ikl
- 1x 10nk
- 2x 10pp

vinci
play

3045-1.01S2



1x E250

992349

Ø3

1x 30e093

1x 10x25ikl

1x 10nk

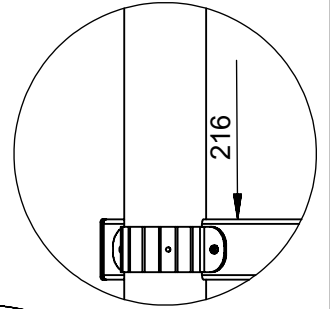
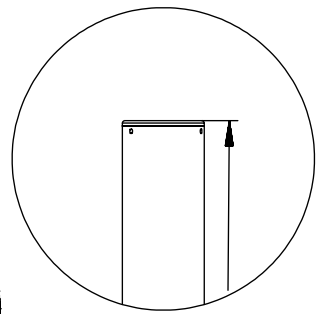
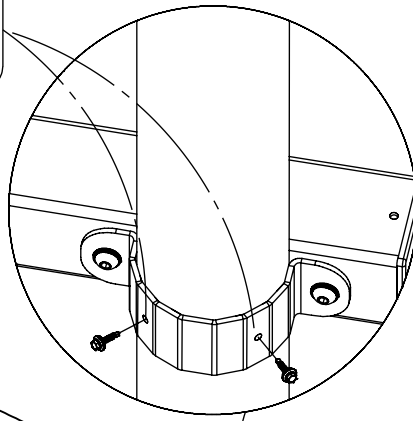
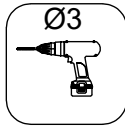
2x 10pp

130

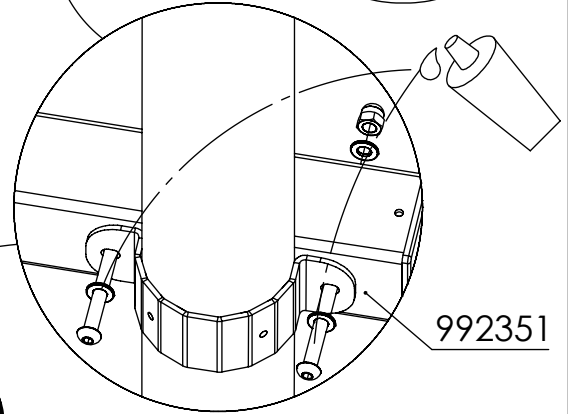
[cm]

vinci
play

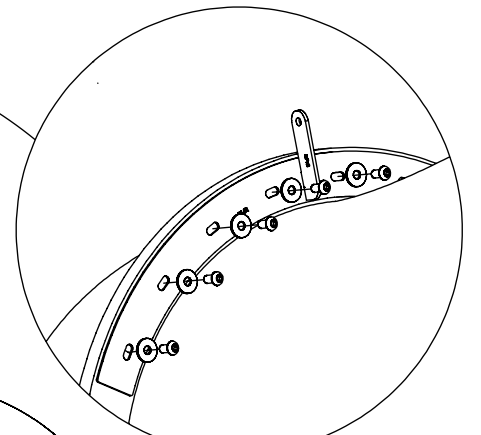
3045-1.01S2



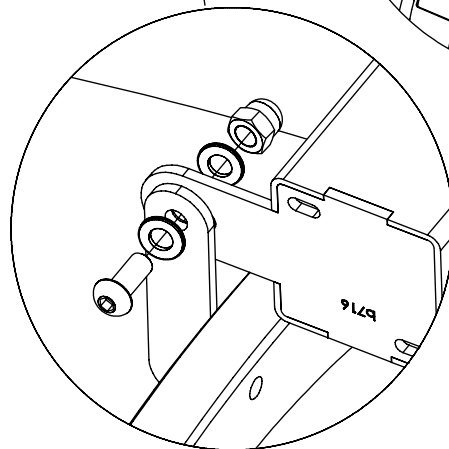
1x E250



992351



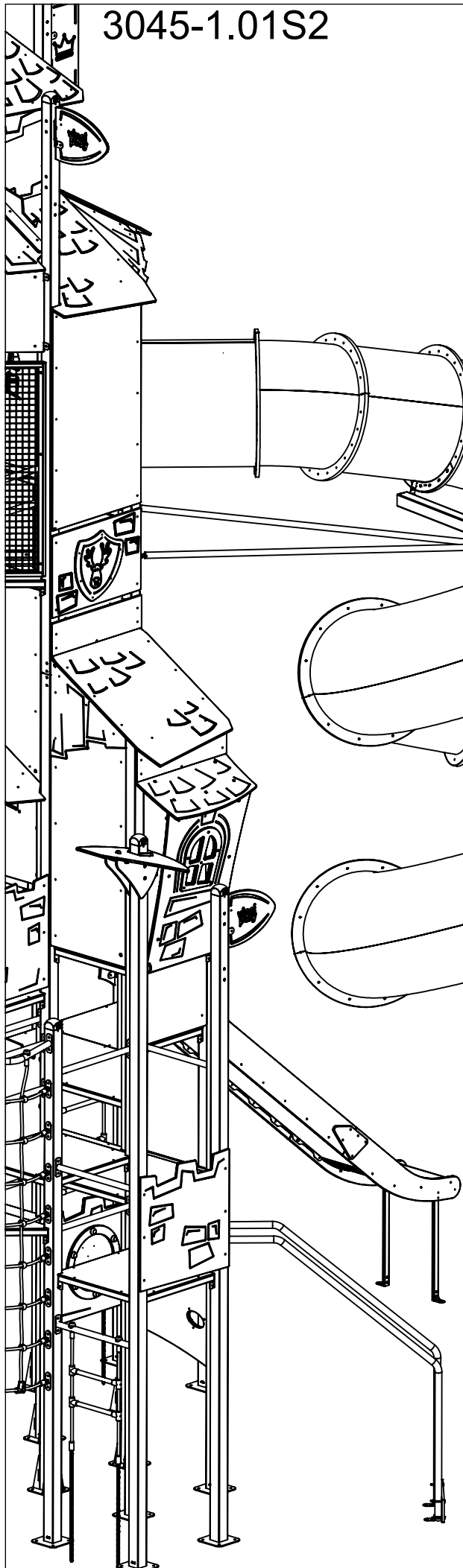
1x 30e093



1x 10x25ikl

1x 10nk

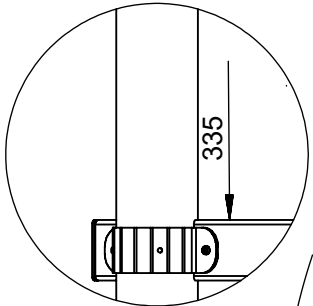
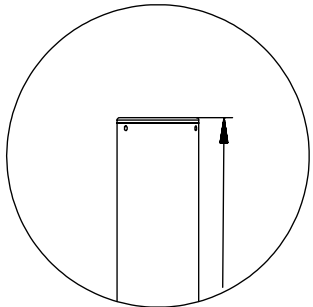
2x 10pp



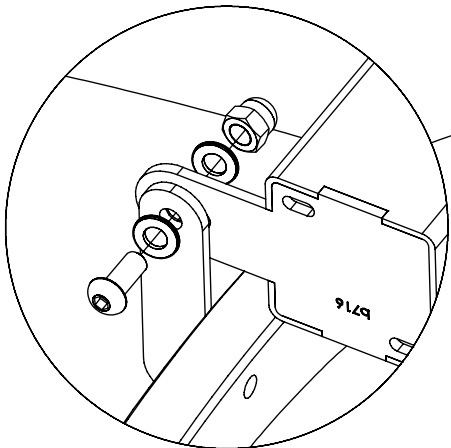
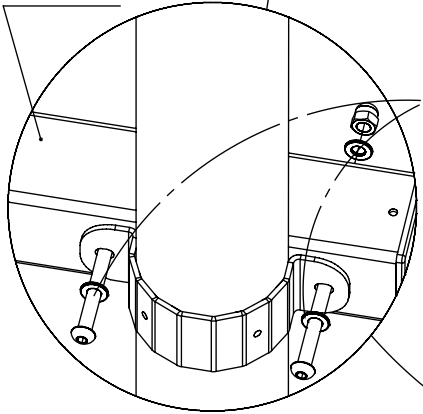
[cm]

vinci
play

3045-1.01S2



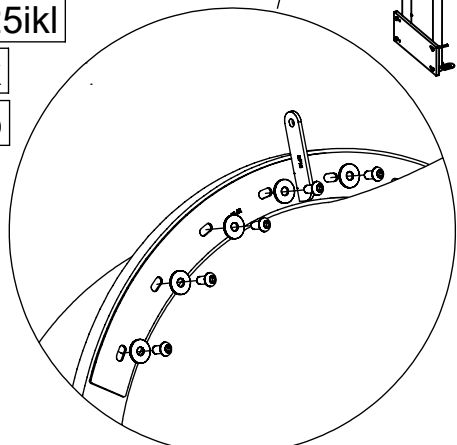
992350



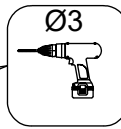
1x 10x25ikl

1x 10nk

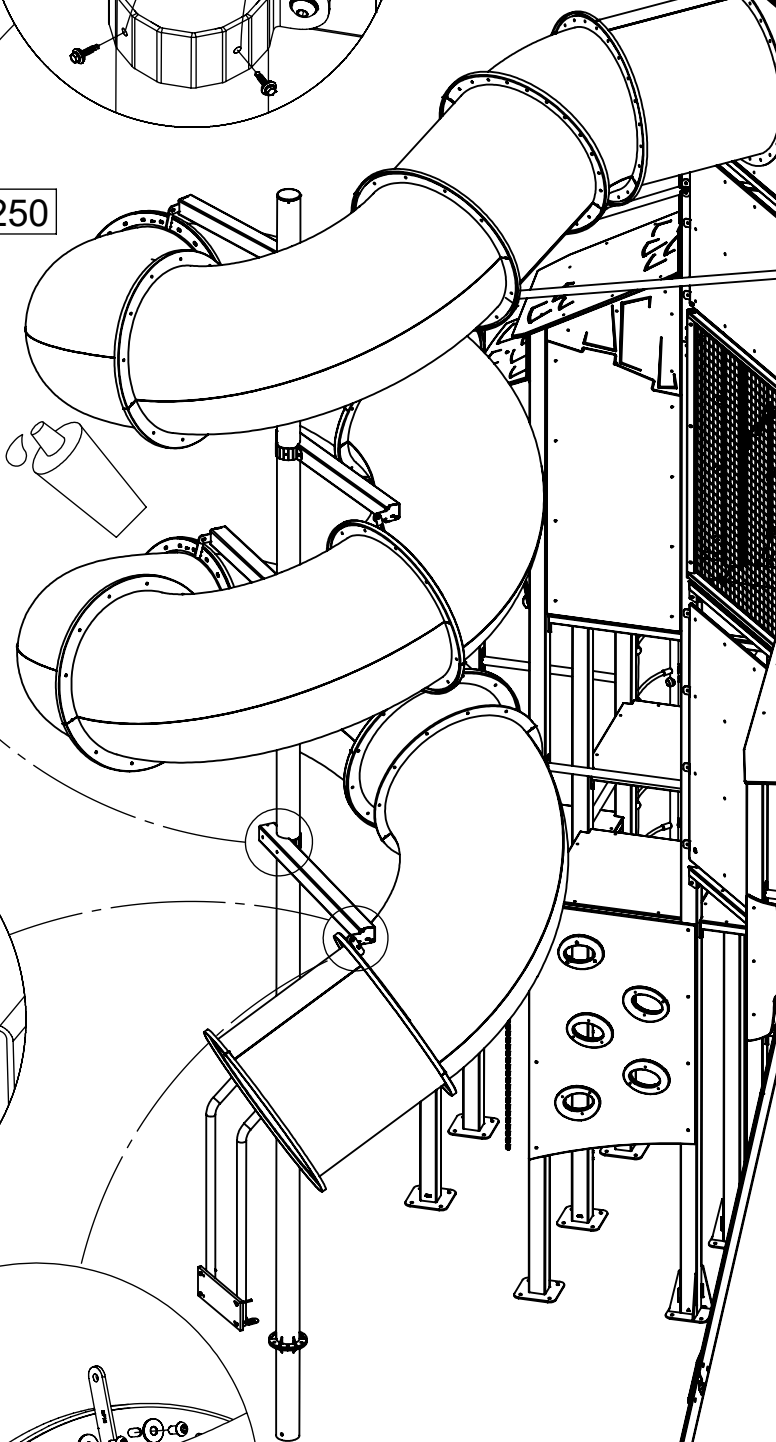
2x 10pp



1x 30e093



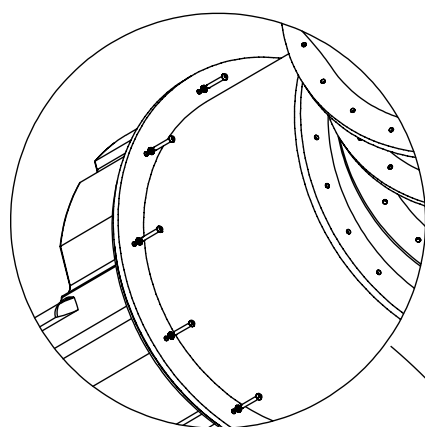
1x E250



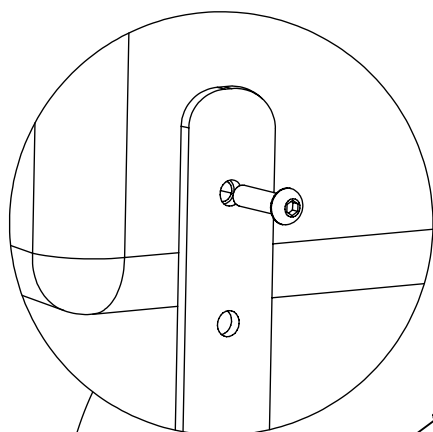
[cm]

vinci
play

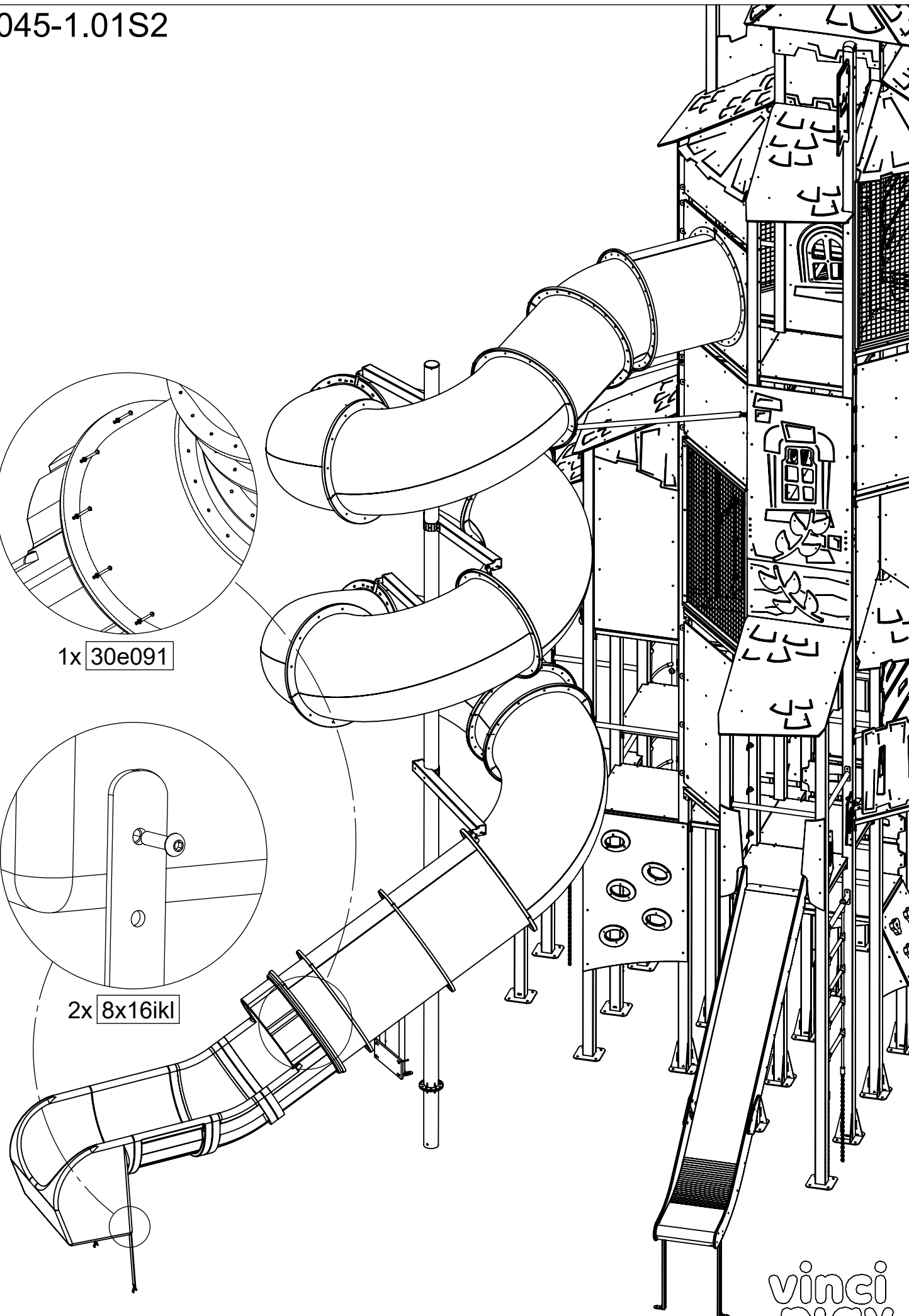
3045-1.01S2



1x 30e091

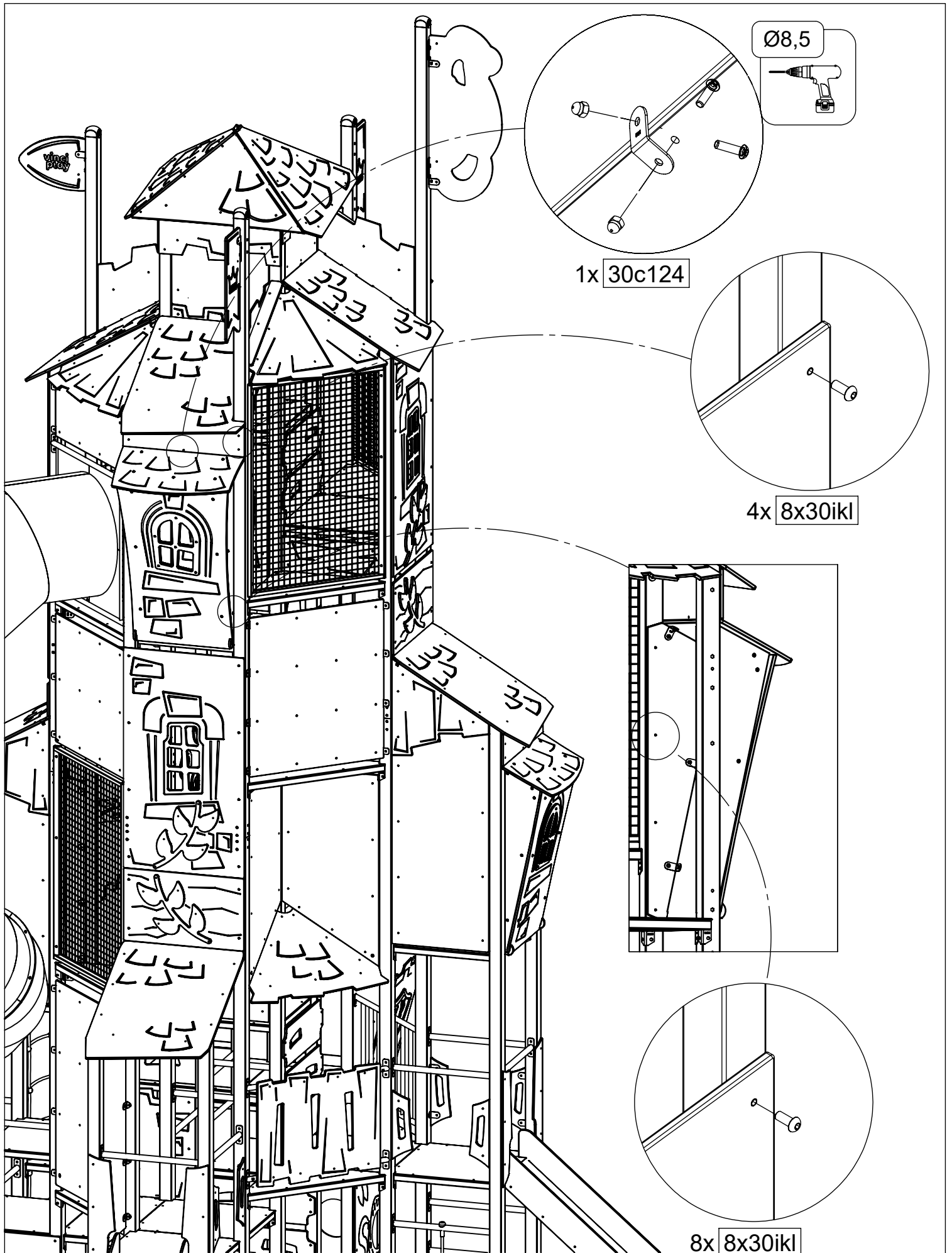


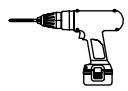
2x 8x16ikl

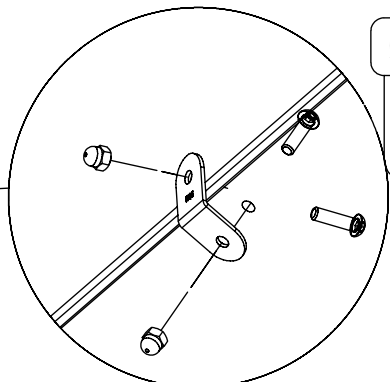


[cm]

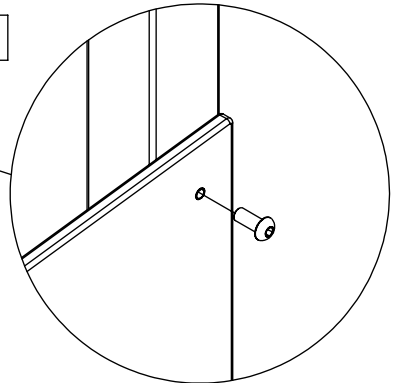
vinci
play



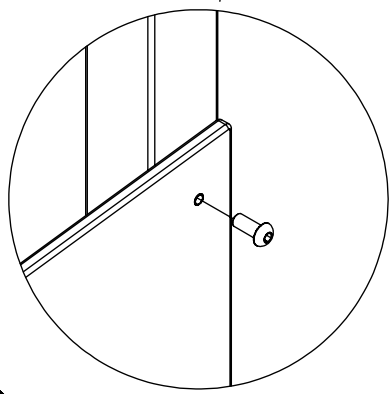
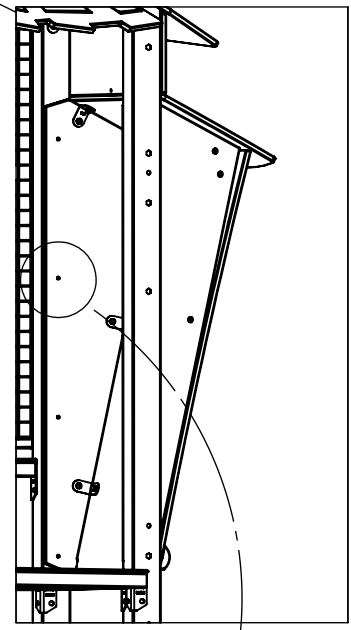
Ø8,5




1x 30c124



4x 8x30ikl

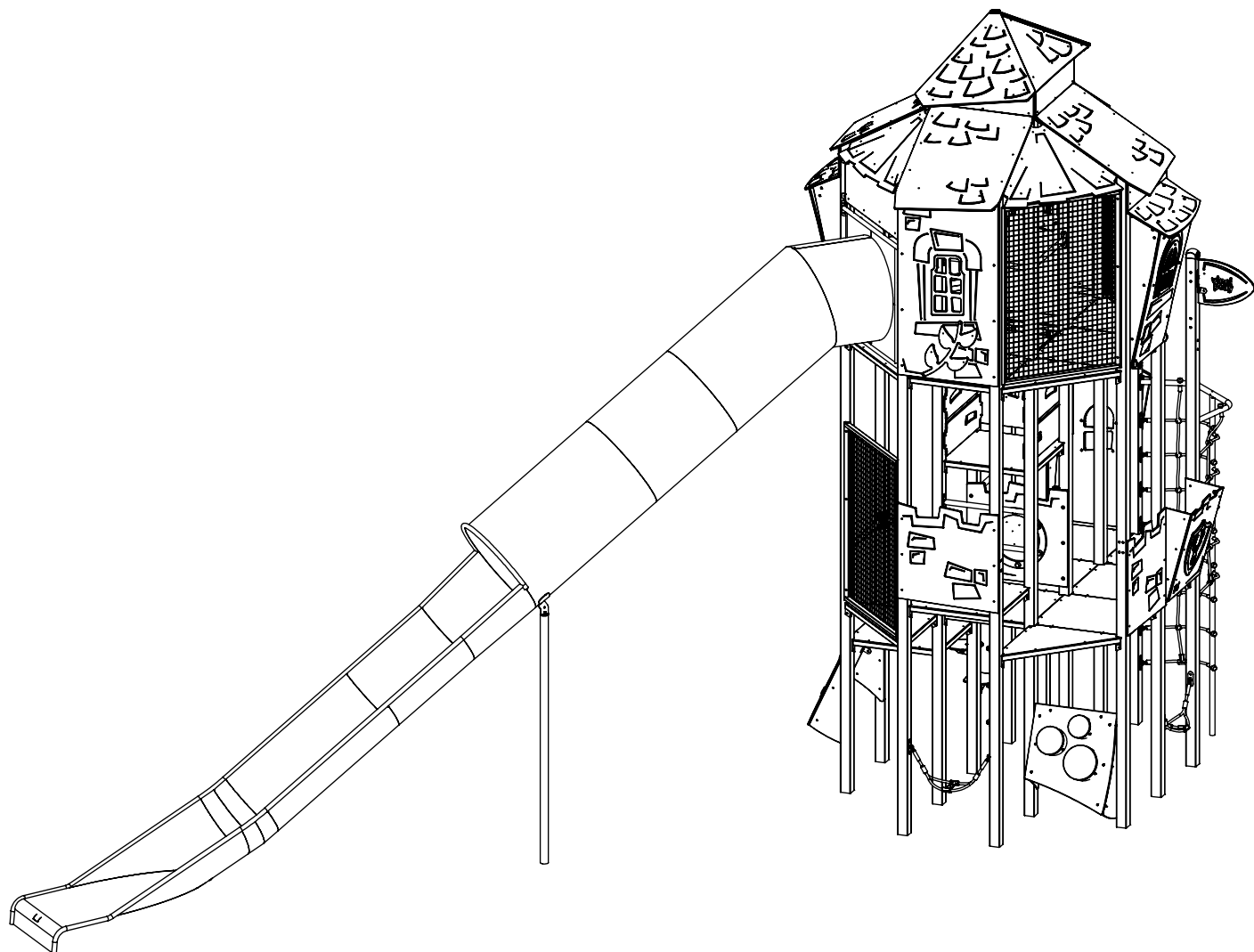


8x 8x30ikl

[cm]

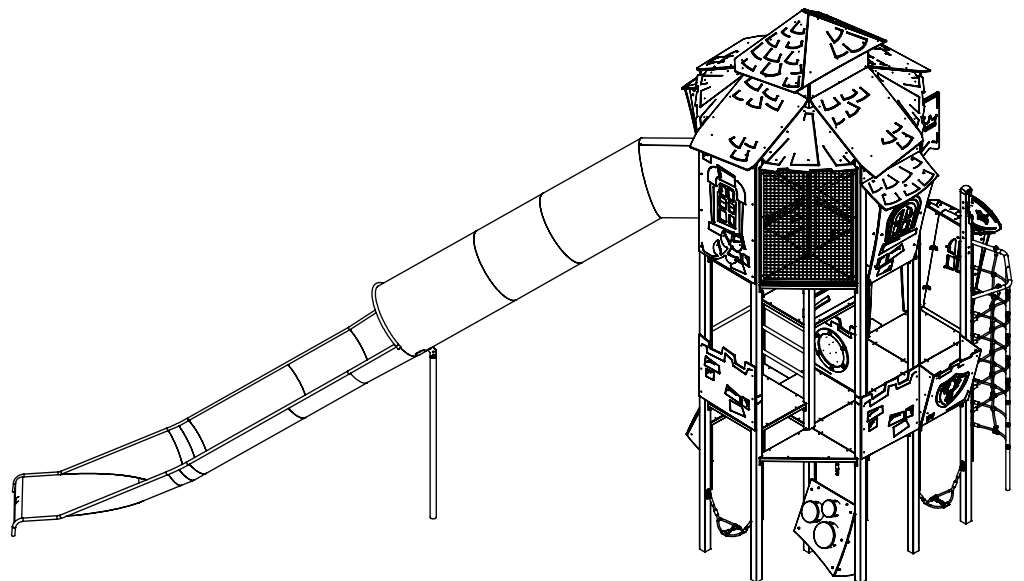
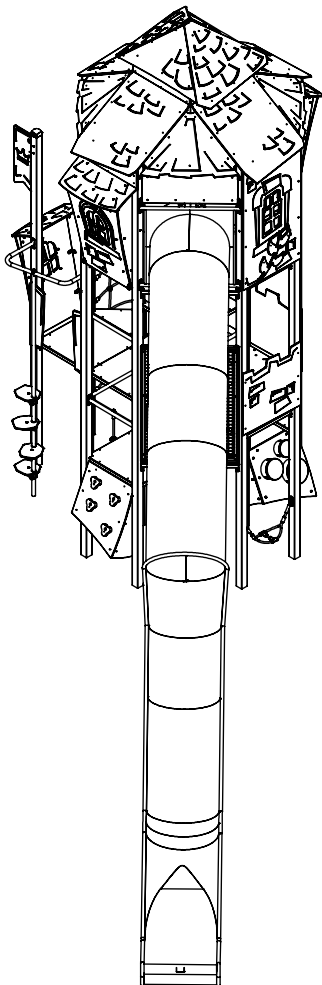
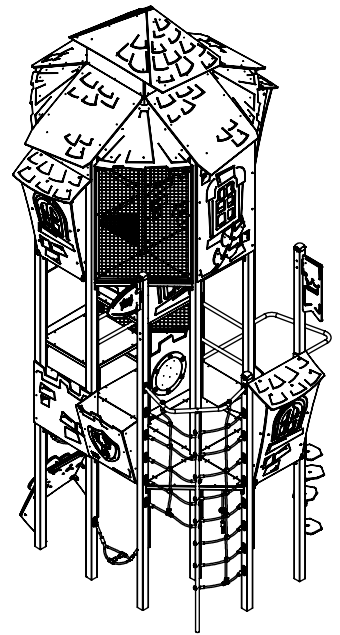
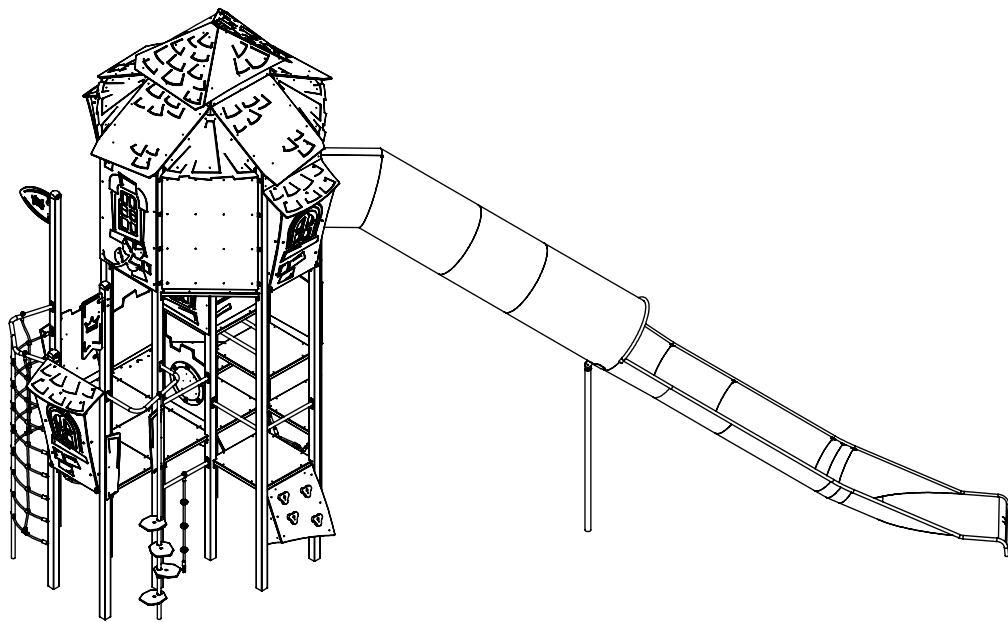
vinci
 play

3045-1.02



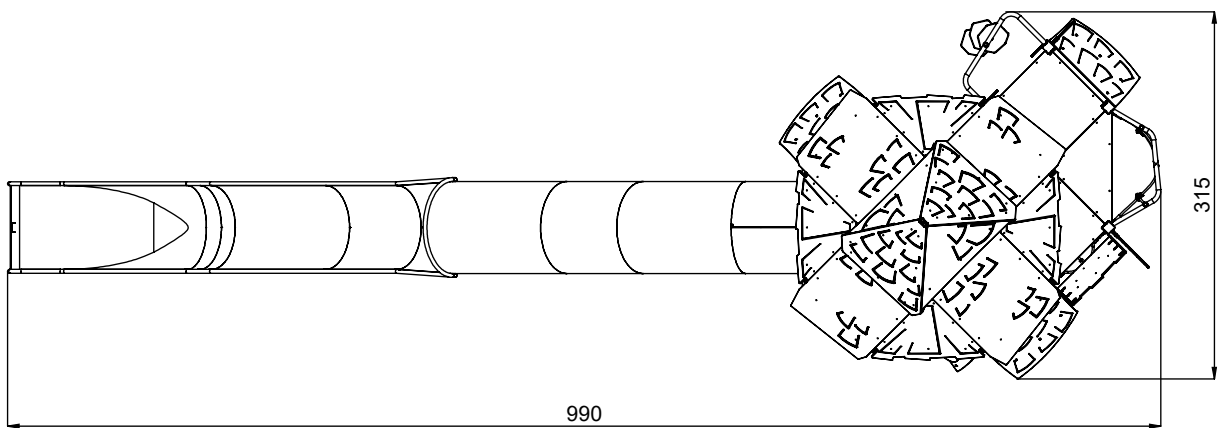
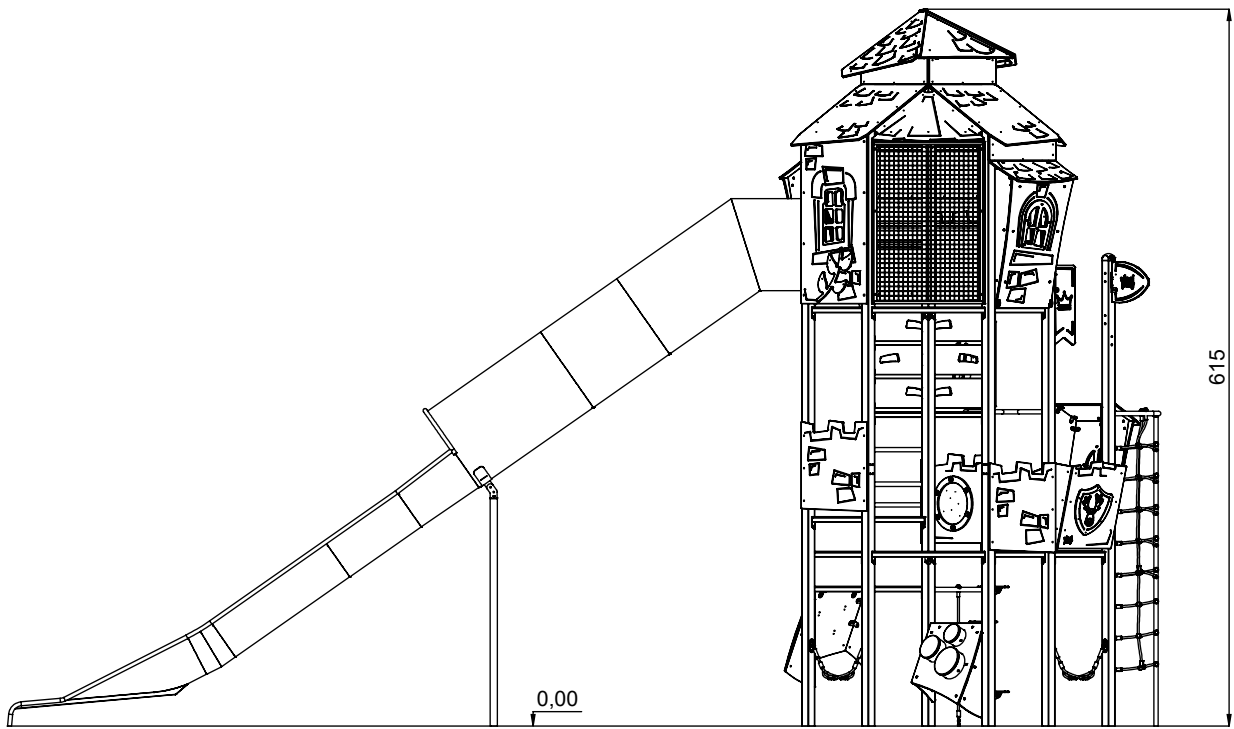
[cm]

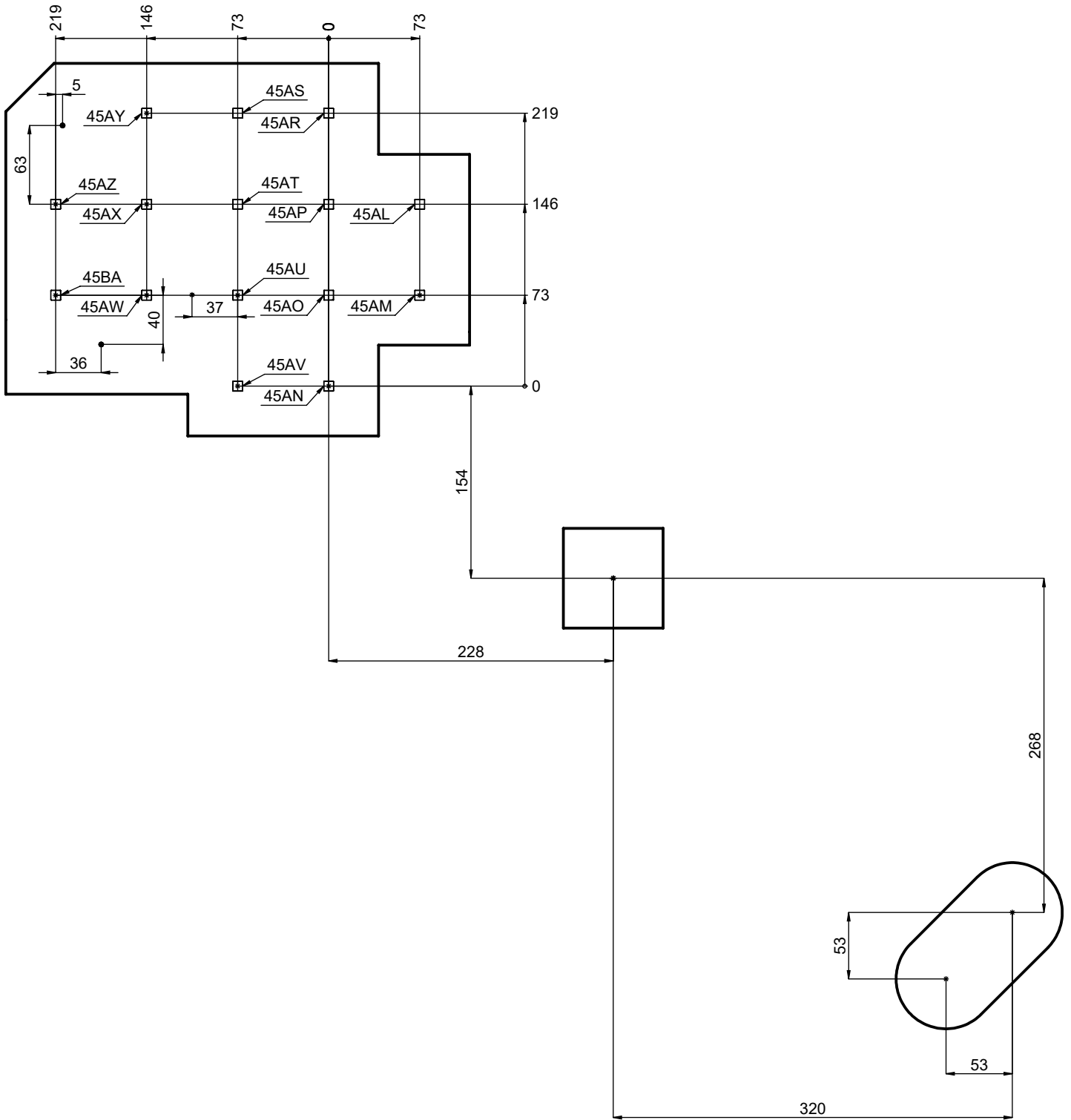
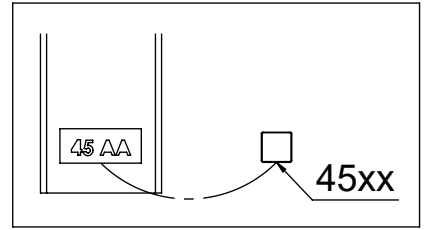
vinci
play



[cm]

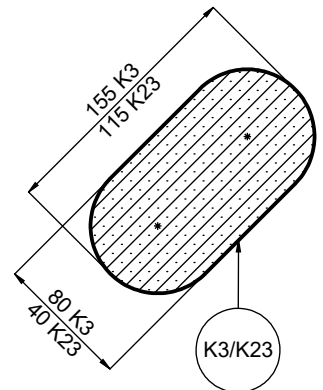
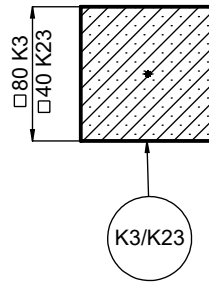
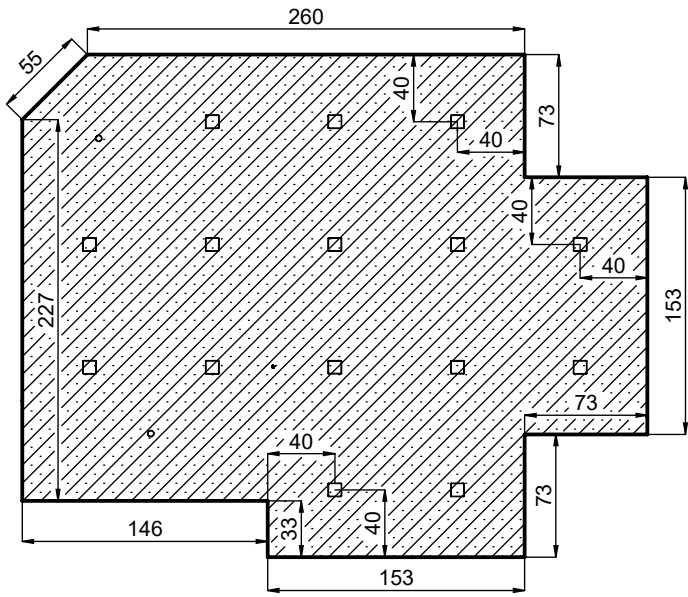
vinci
play





[cm]

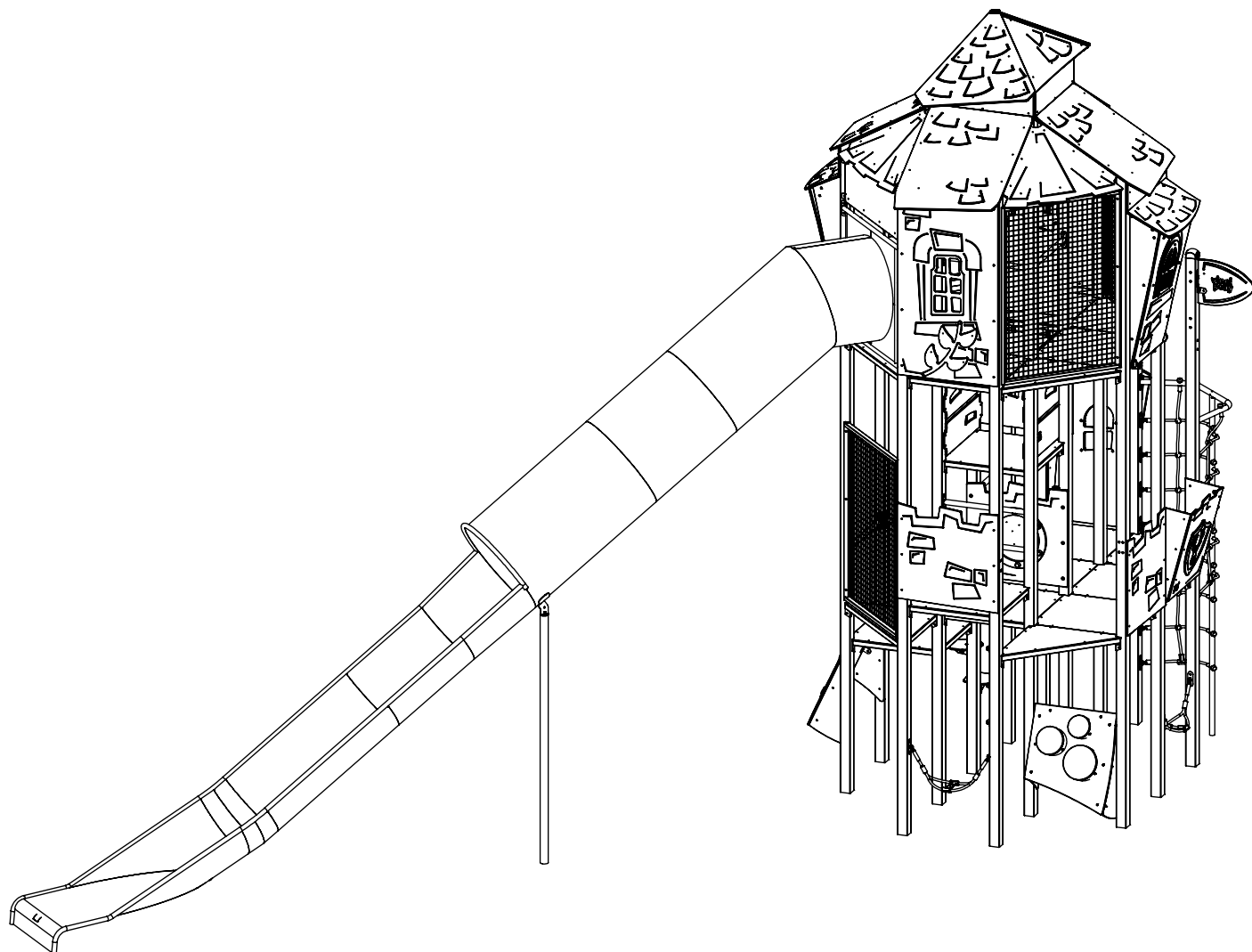
vinci
play



[cm]

vinci
play

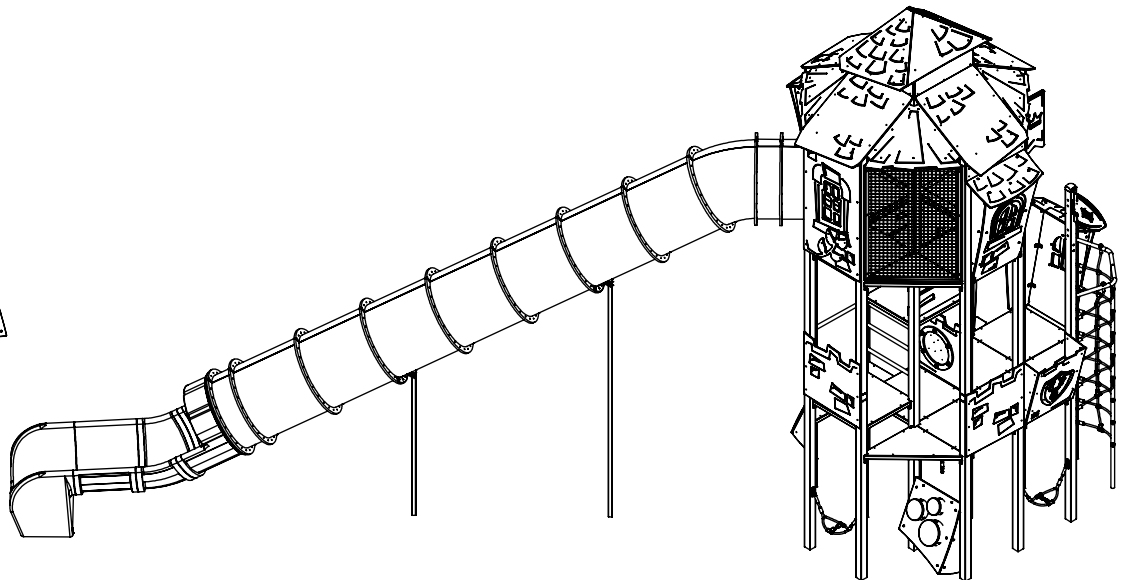
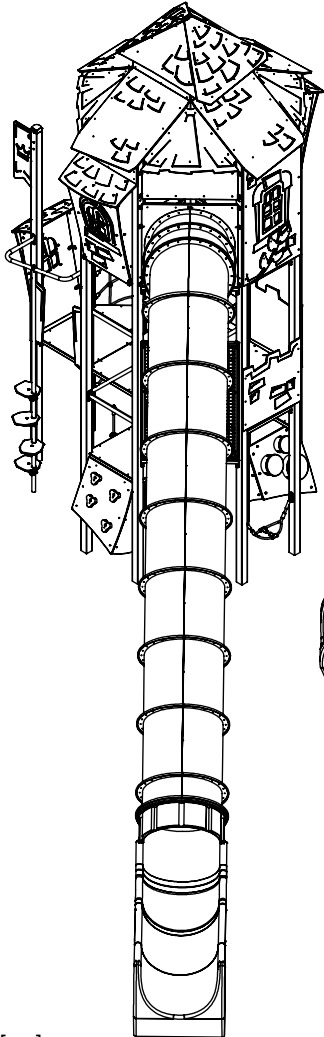
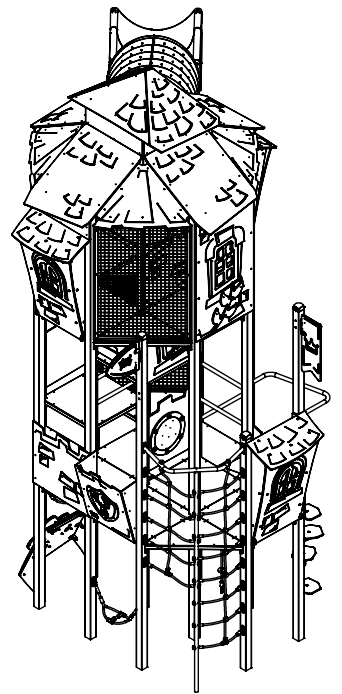
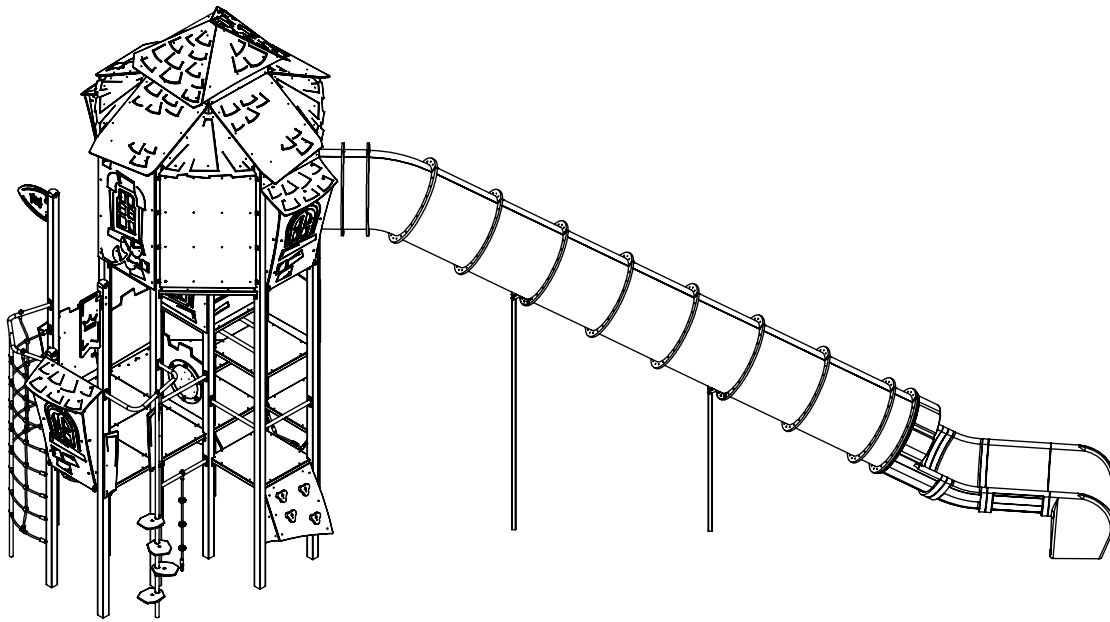
3045-1.02S2



[cm]

vinci
play

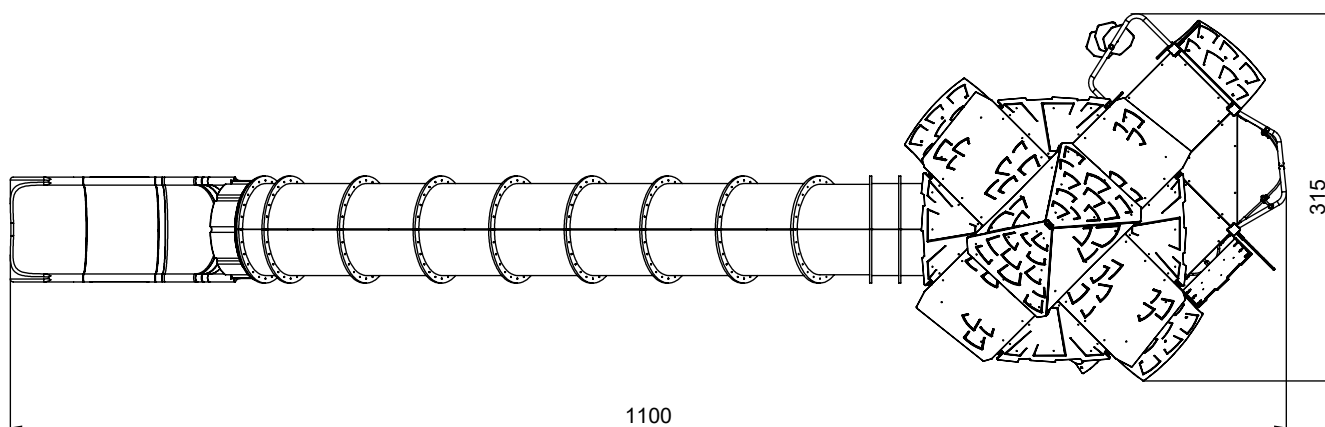
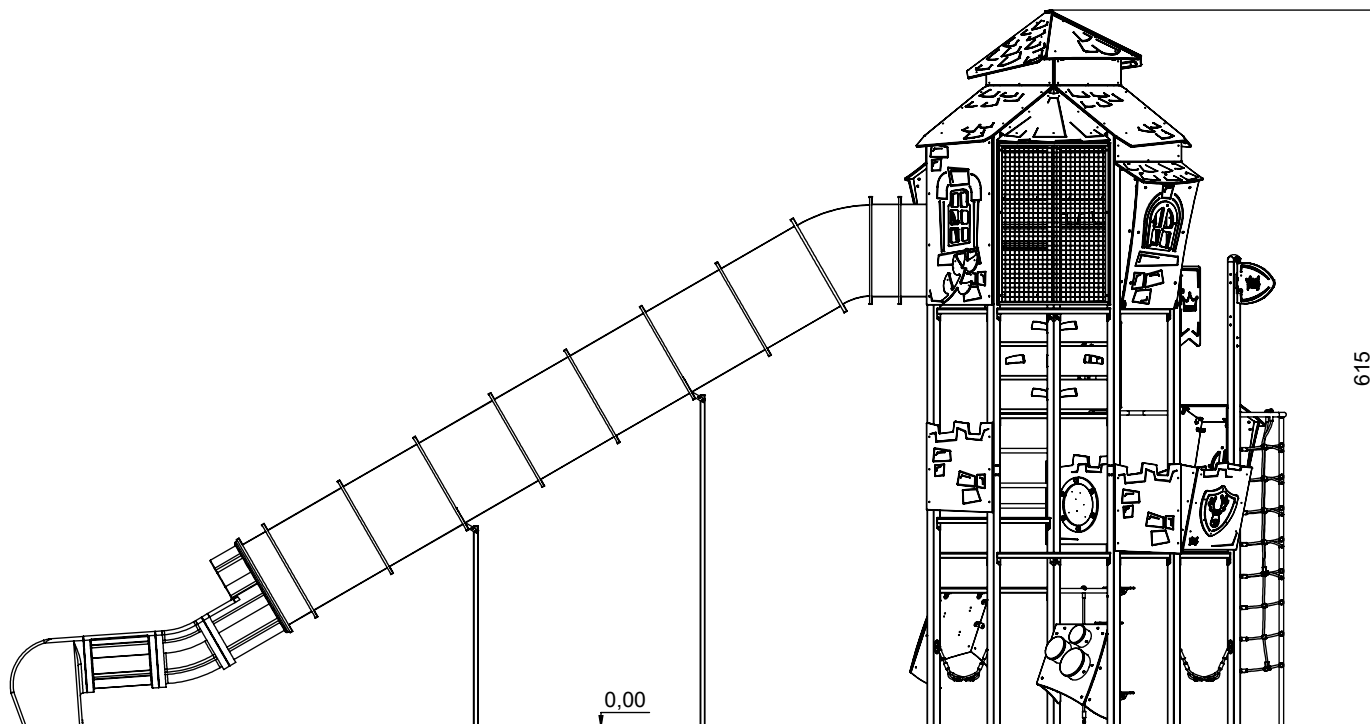
3045-1.02S2



[cm]

vinci
play

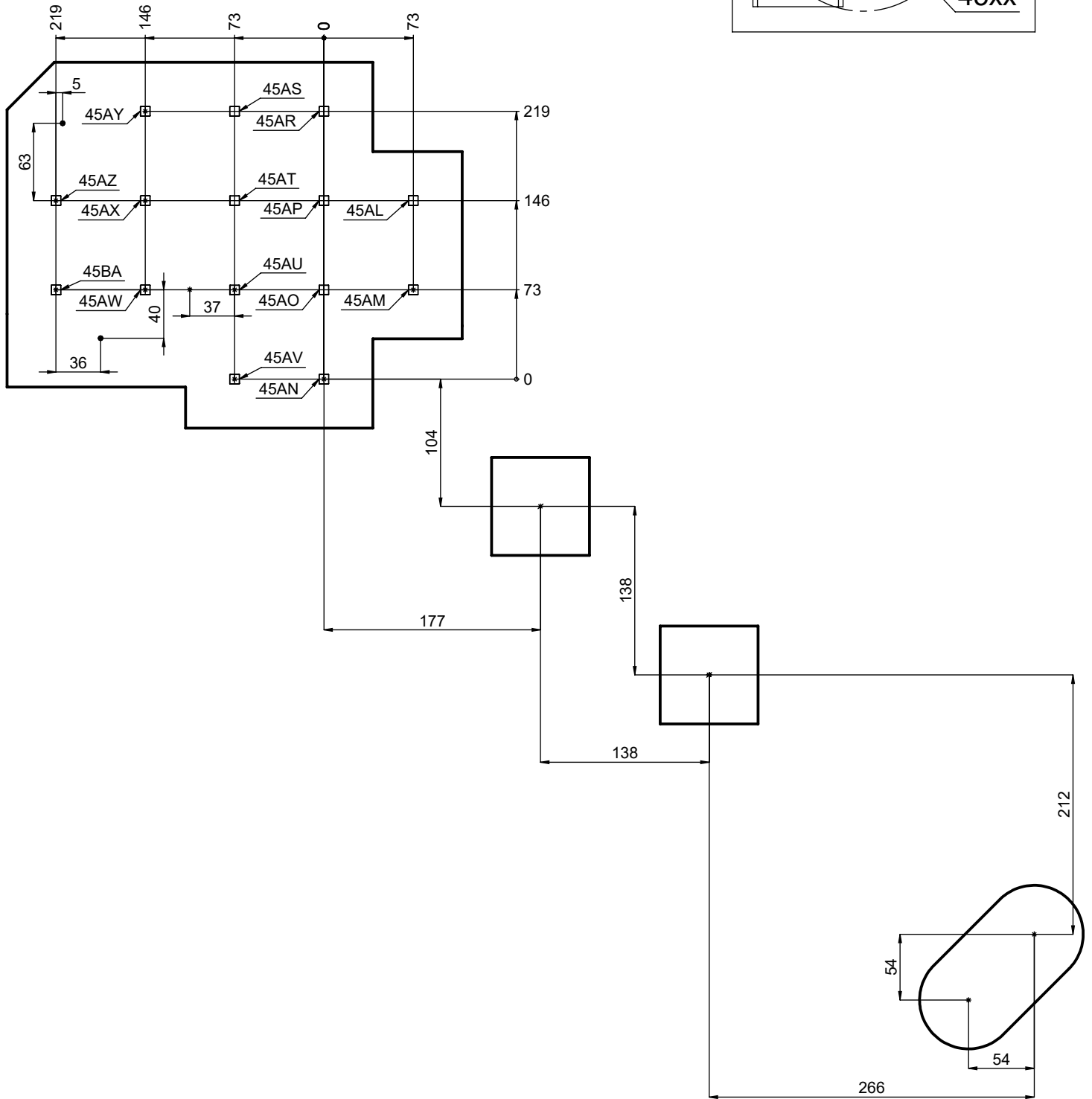
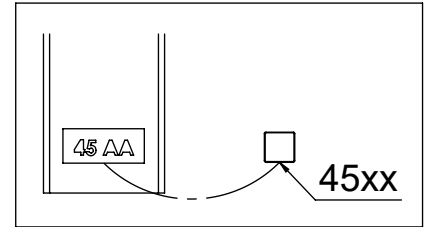
3045-1.02S2



[cm]

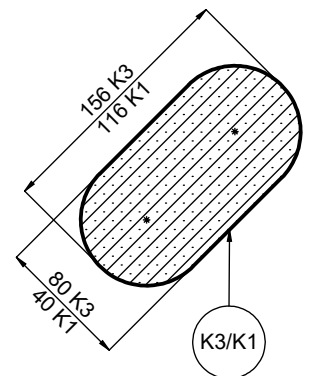
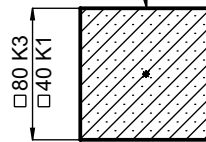
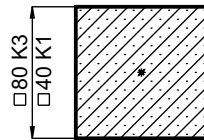
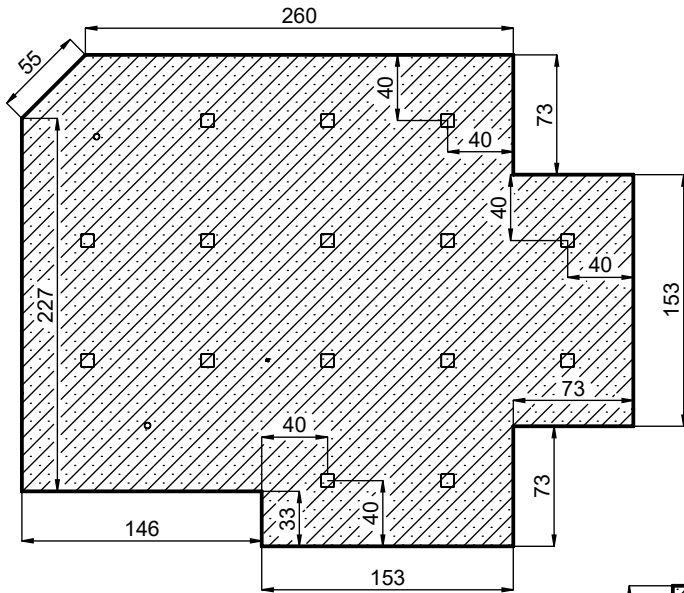
vinci
play

3045-1.02S2



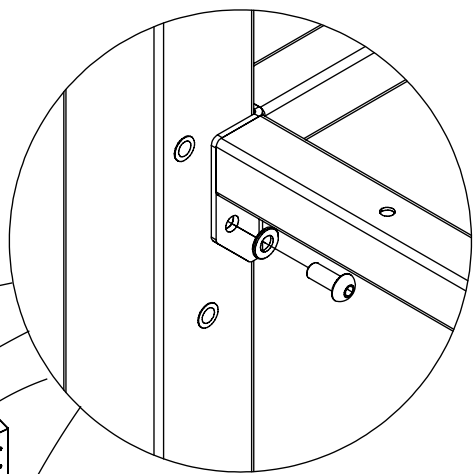
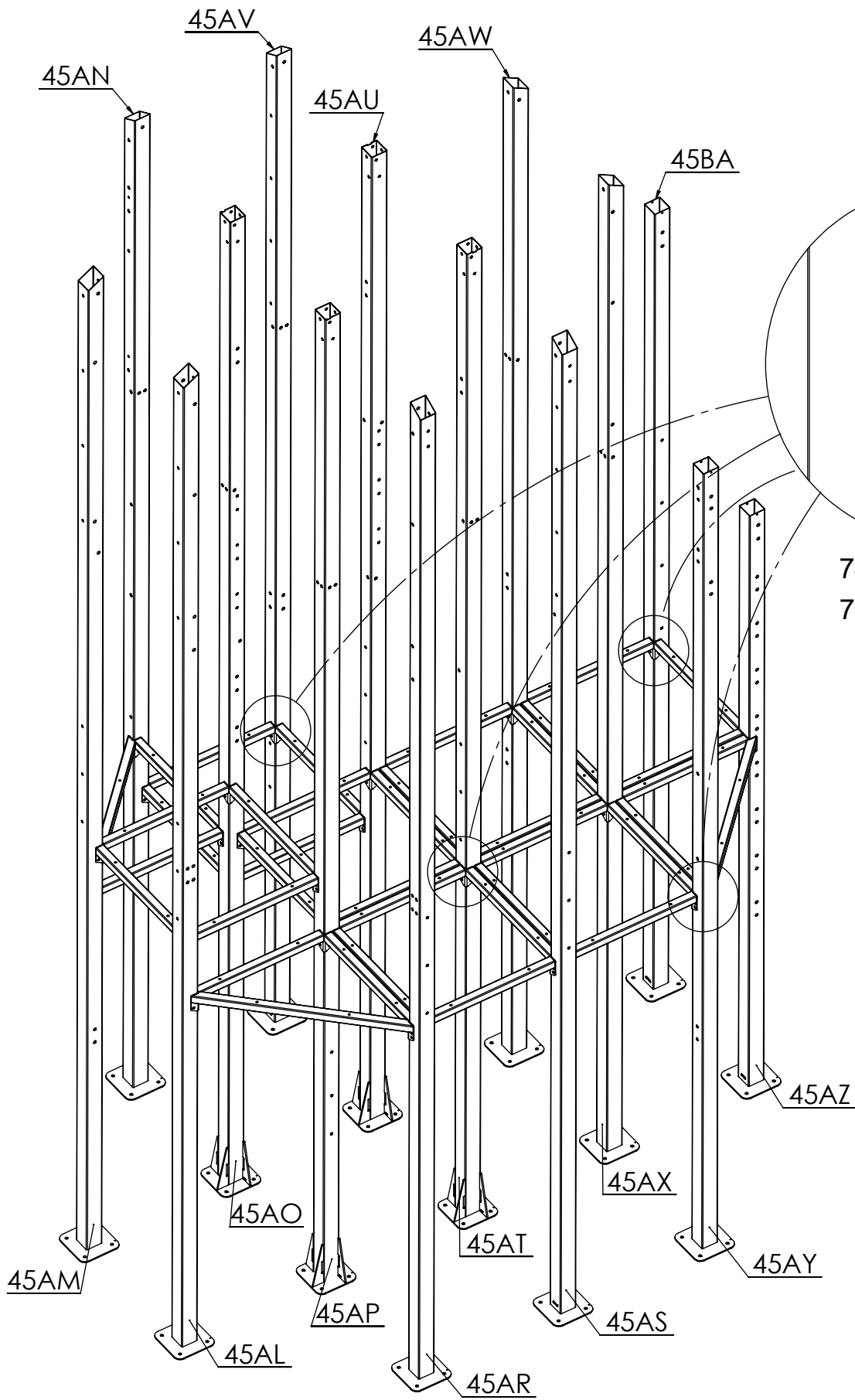
[cm]

3045-1.02S2



[cm]

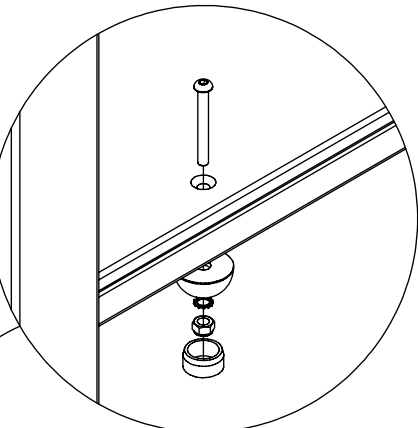
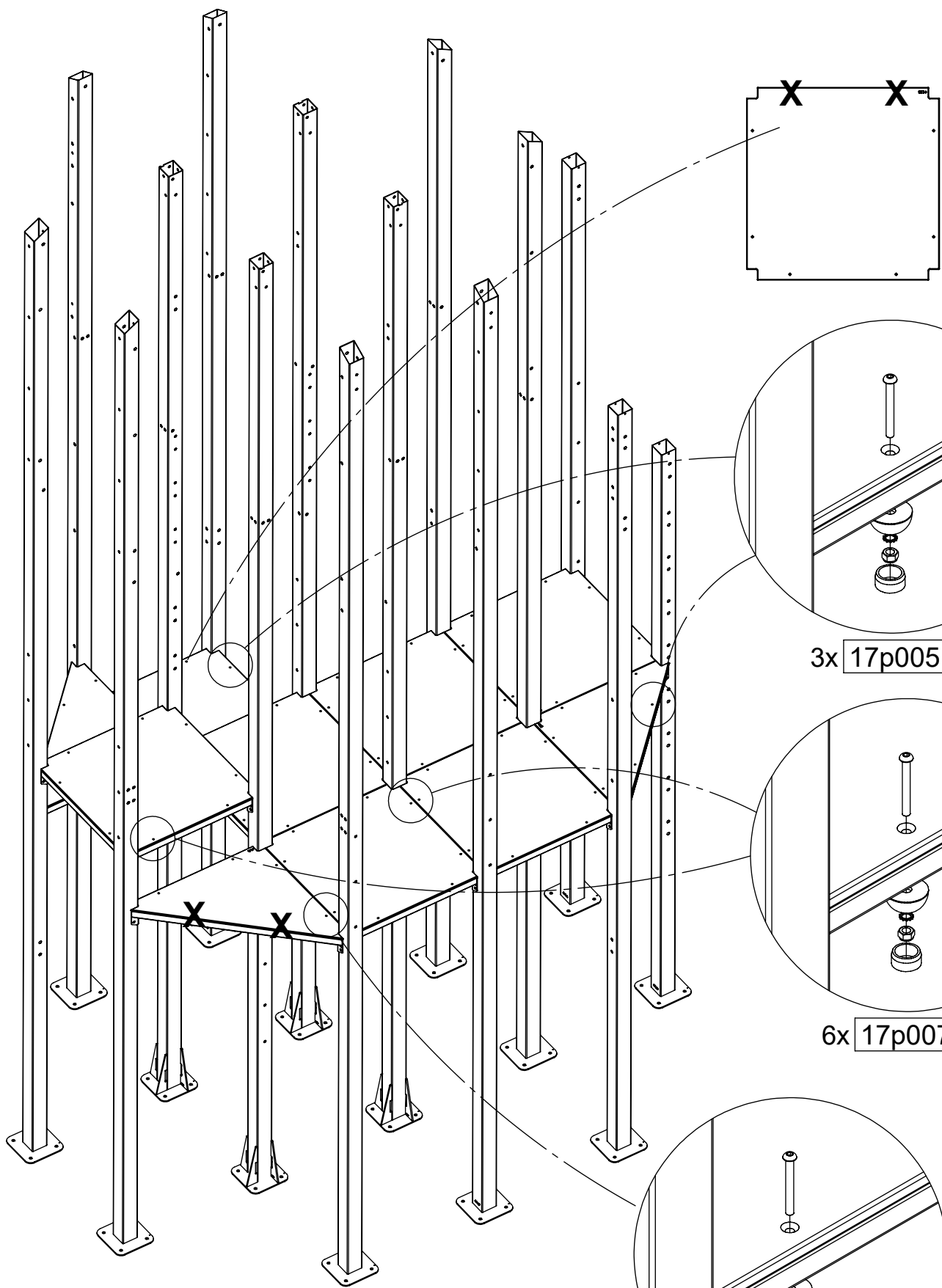
vinci
play



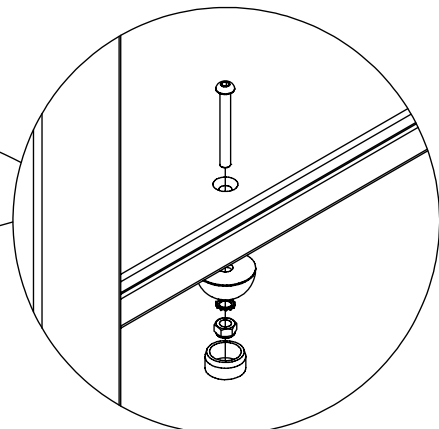
74x 10x25ikl
74x 10pp

[cm]

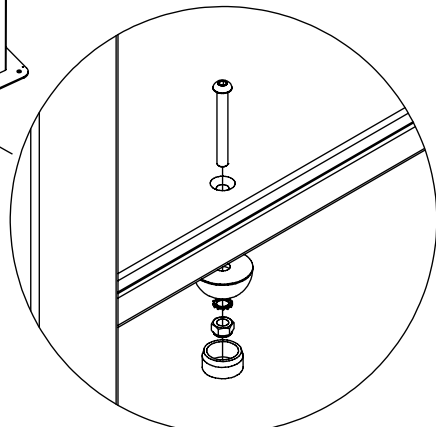
vinci
play



3x 17p005

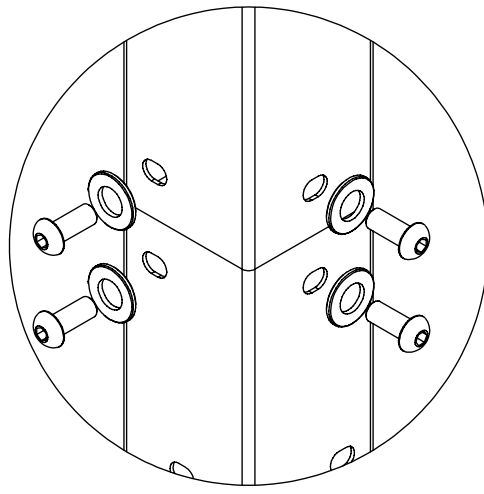
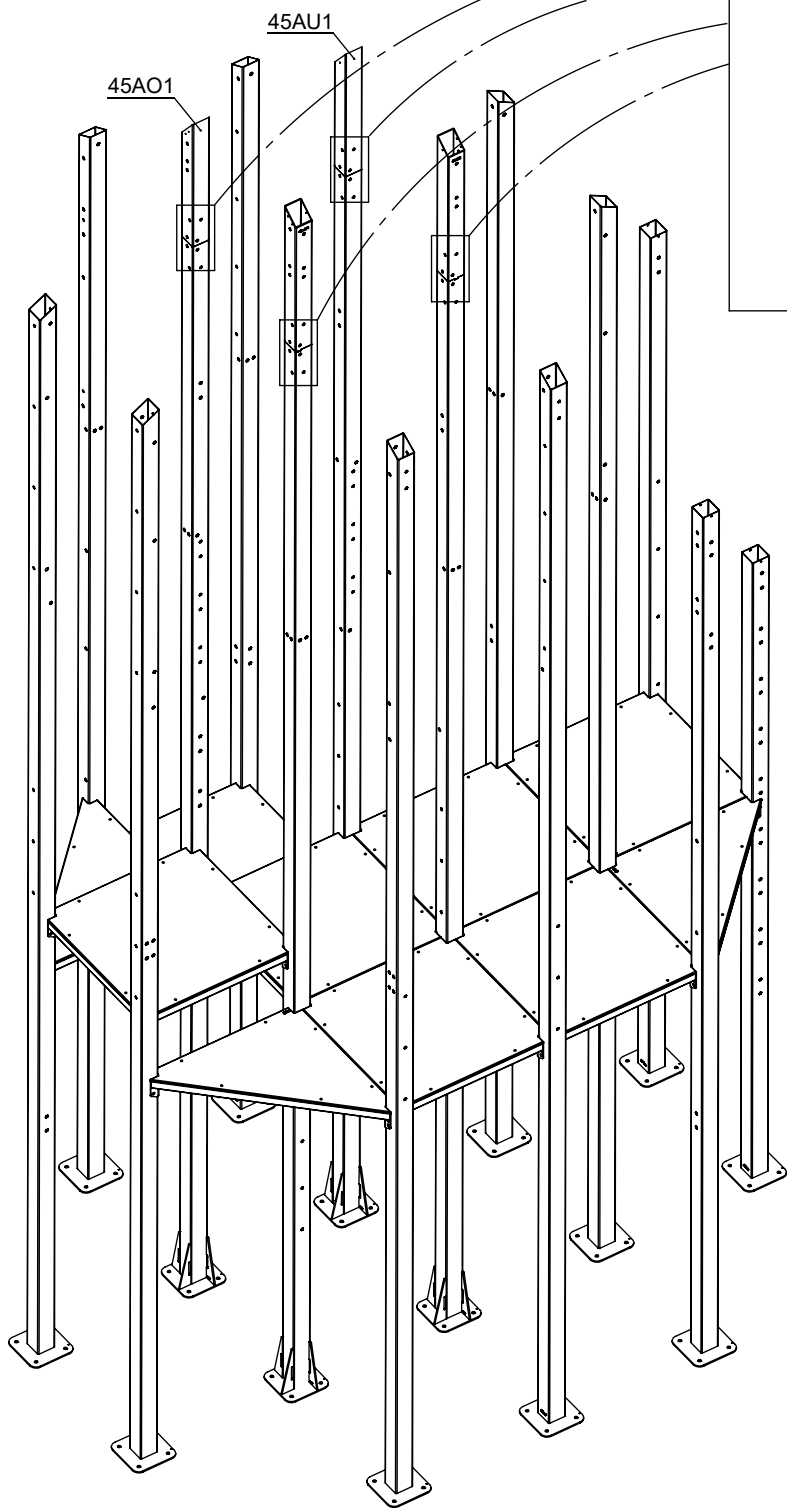


6x 17p007

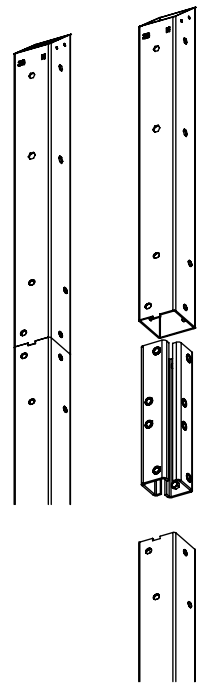


1x 17p003

vinci
play

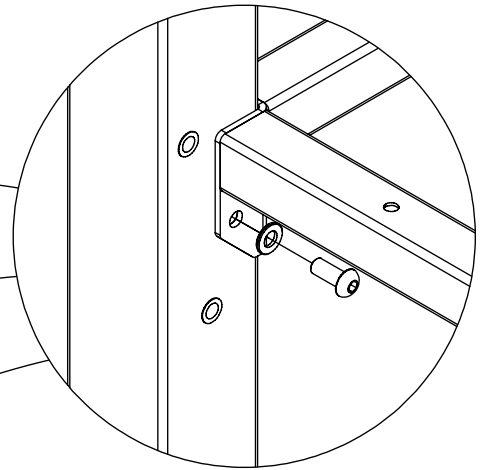
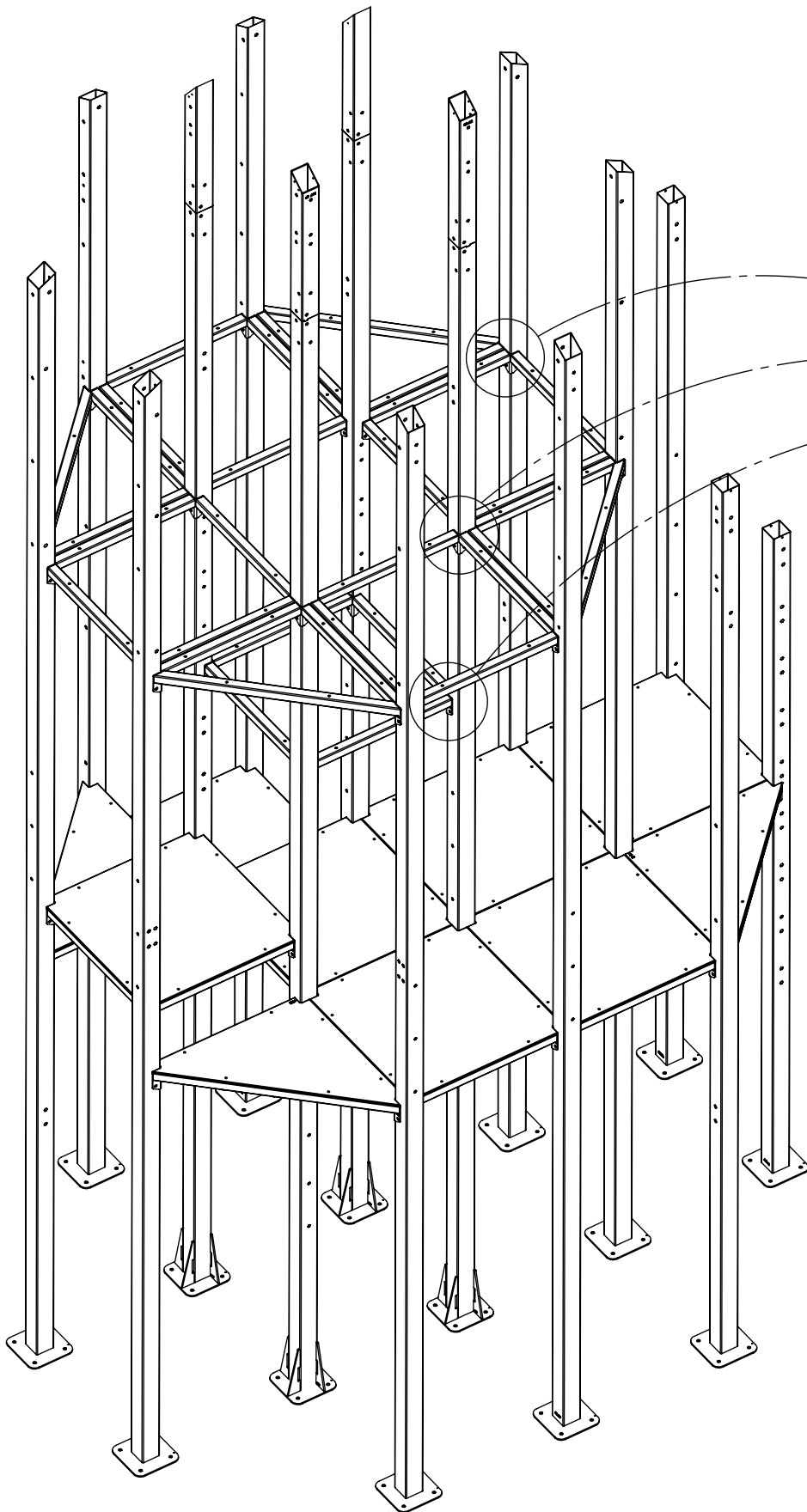


64x 10x25ikl
64x 10pp



[cm]

vinci
play

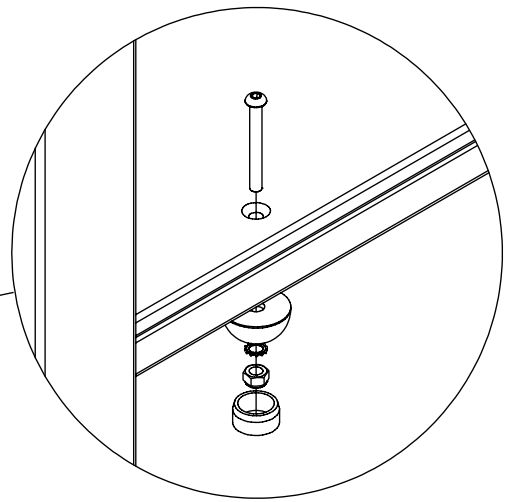
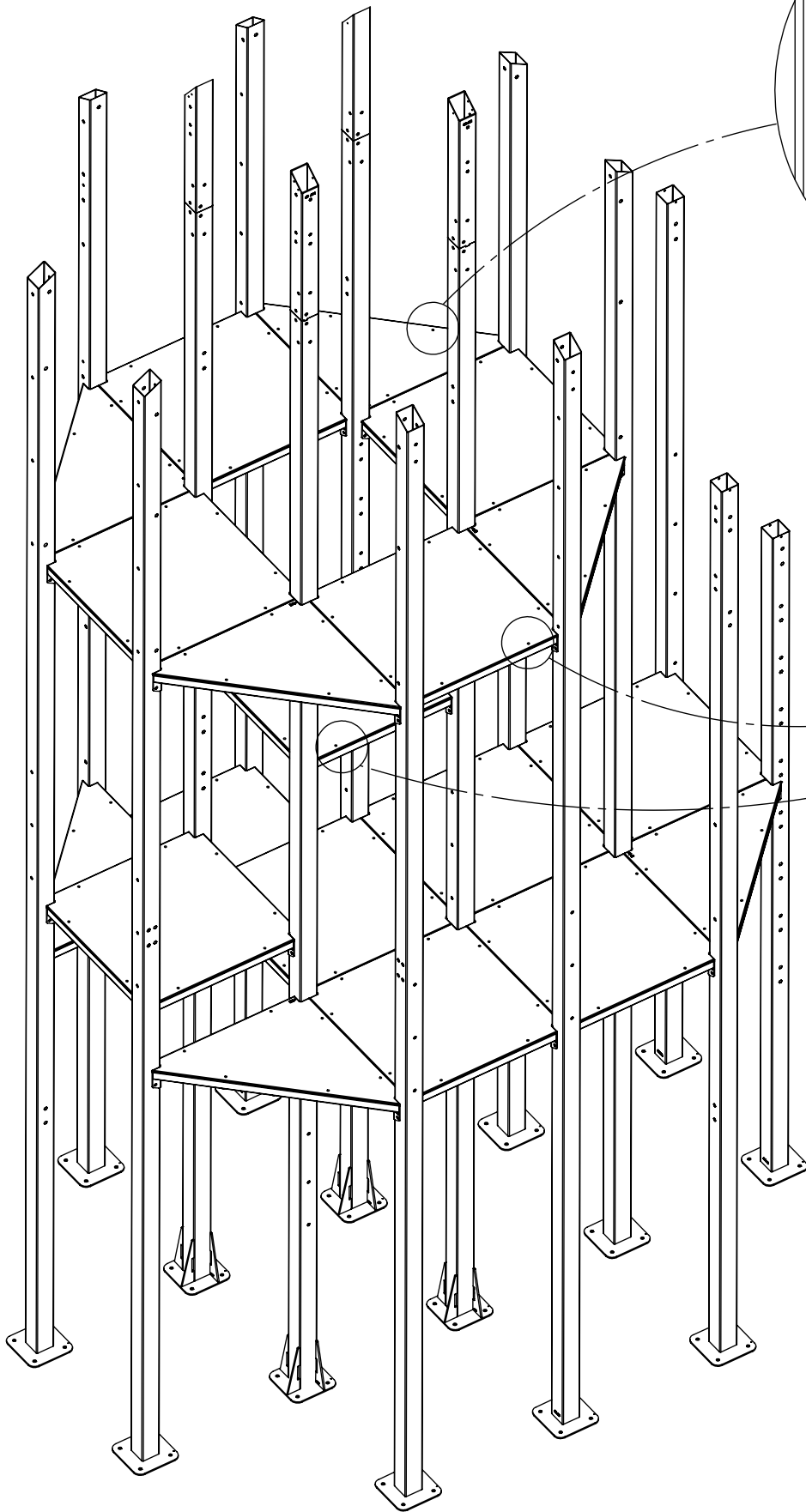


64x 10x25ikl

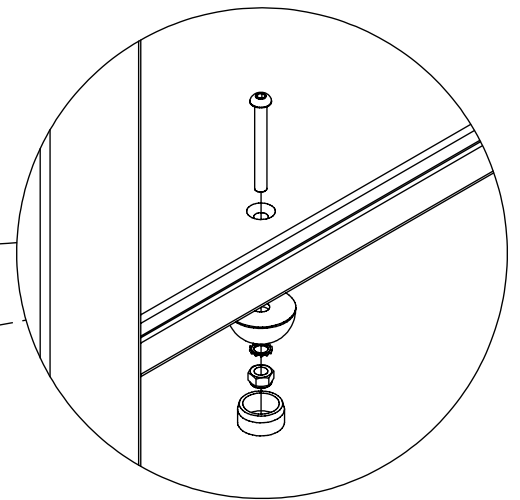
64x 10pp

[cm]

vinci
play



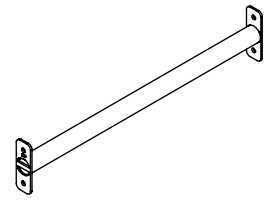
4x 17p005



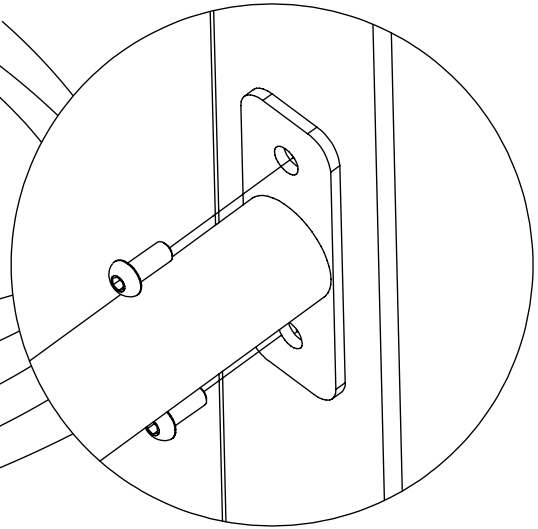
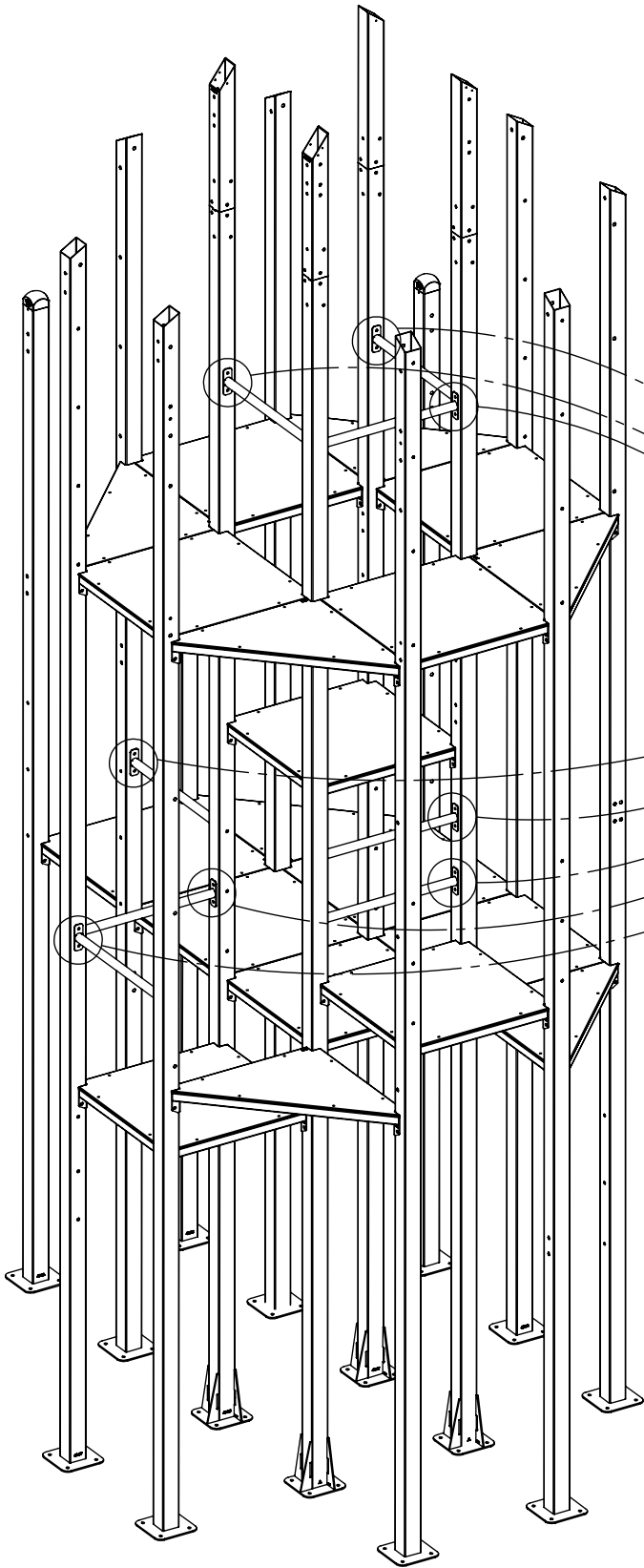
5x 17p007

[cm]

vinci
play



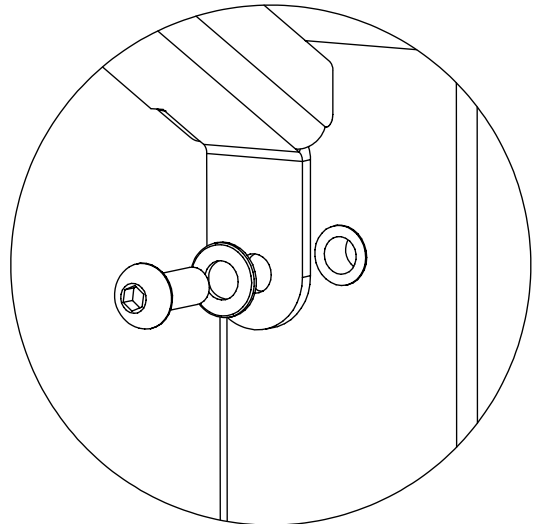
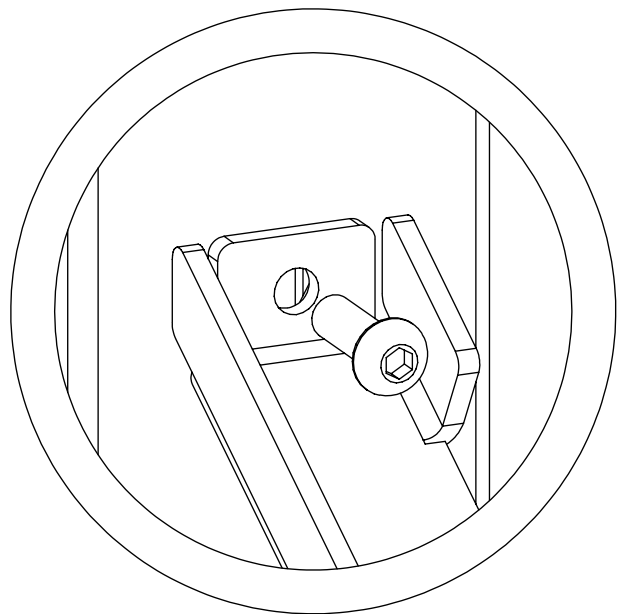
8x 142117



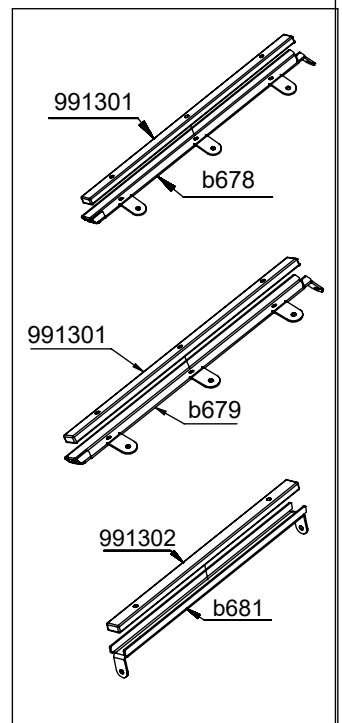
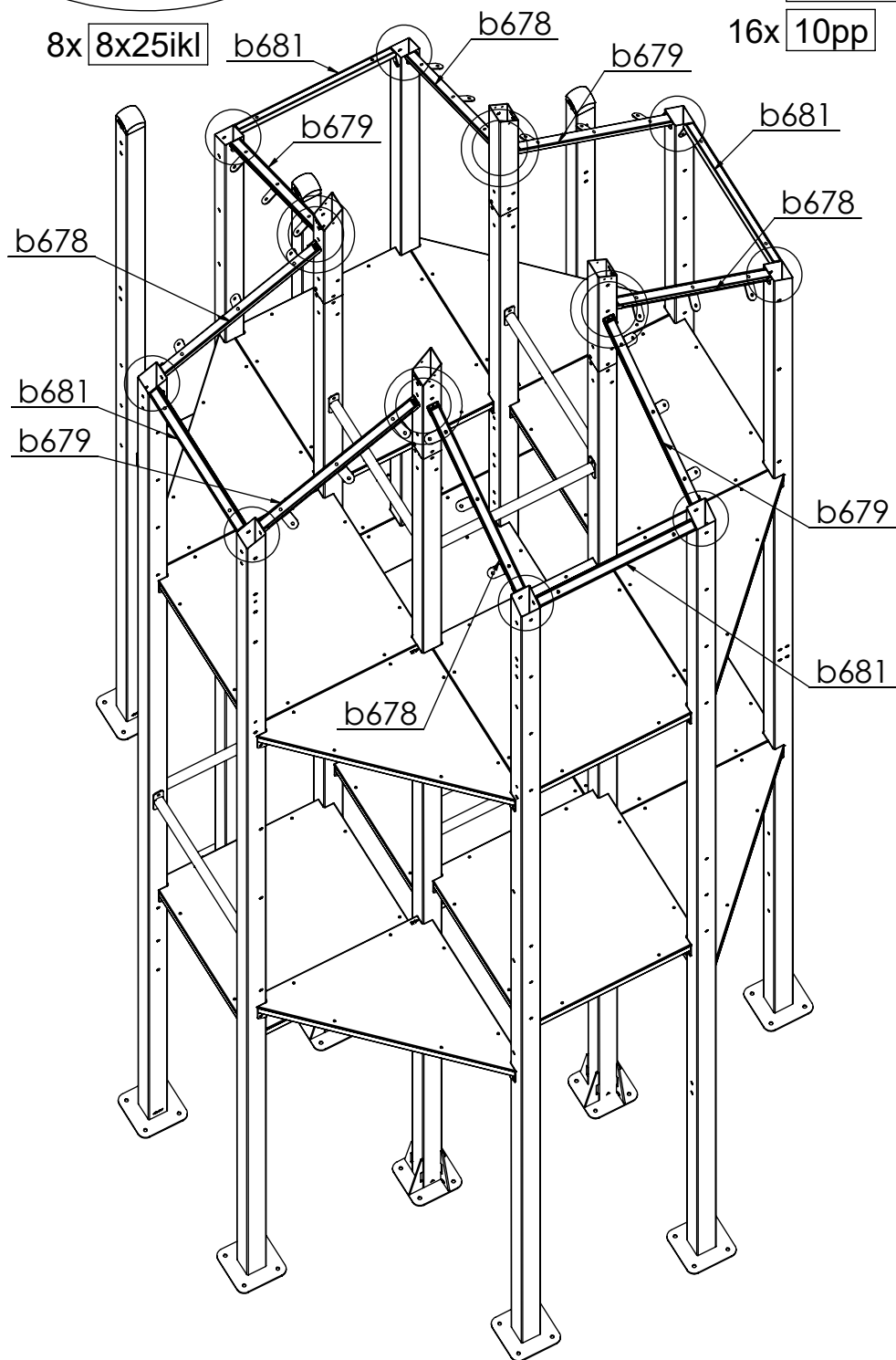
32x 10x25ikl

[cm]

vinci
play

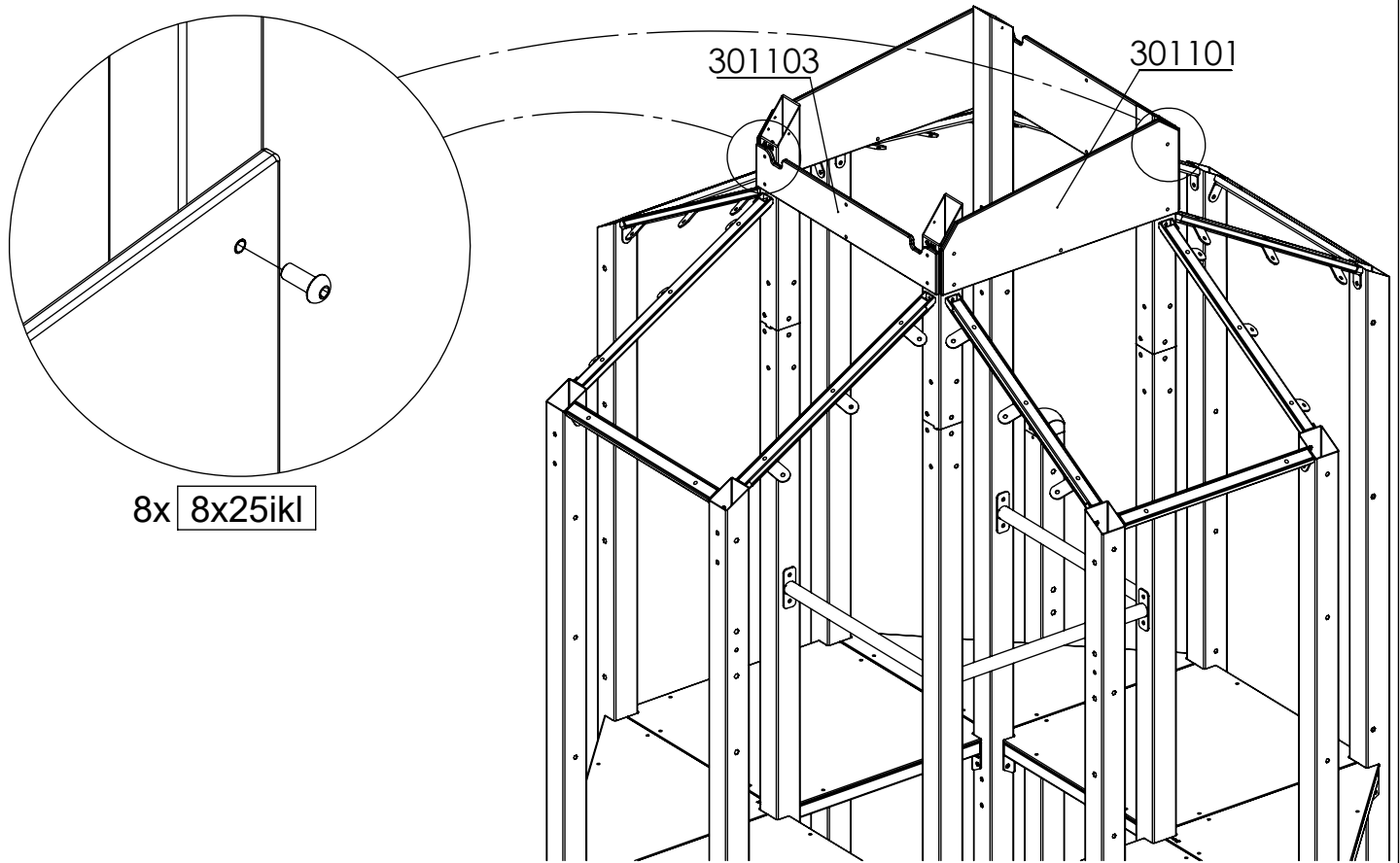
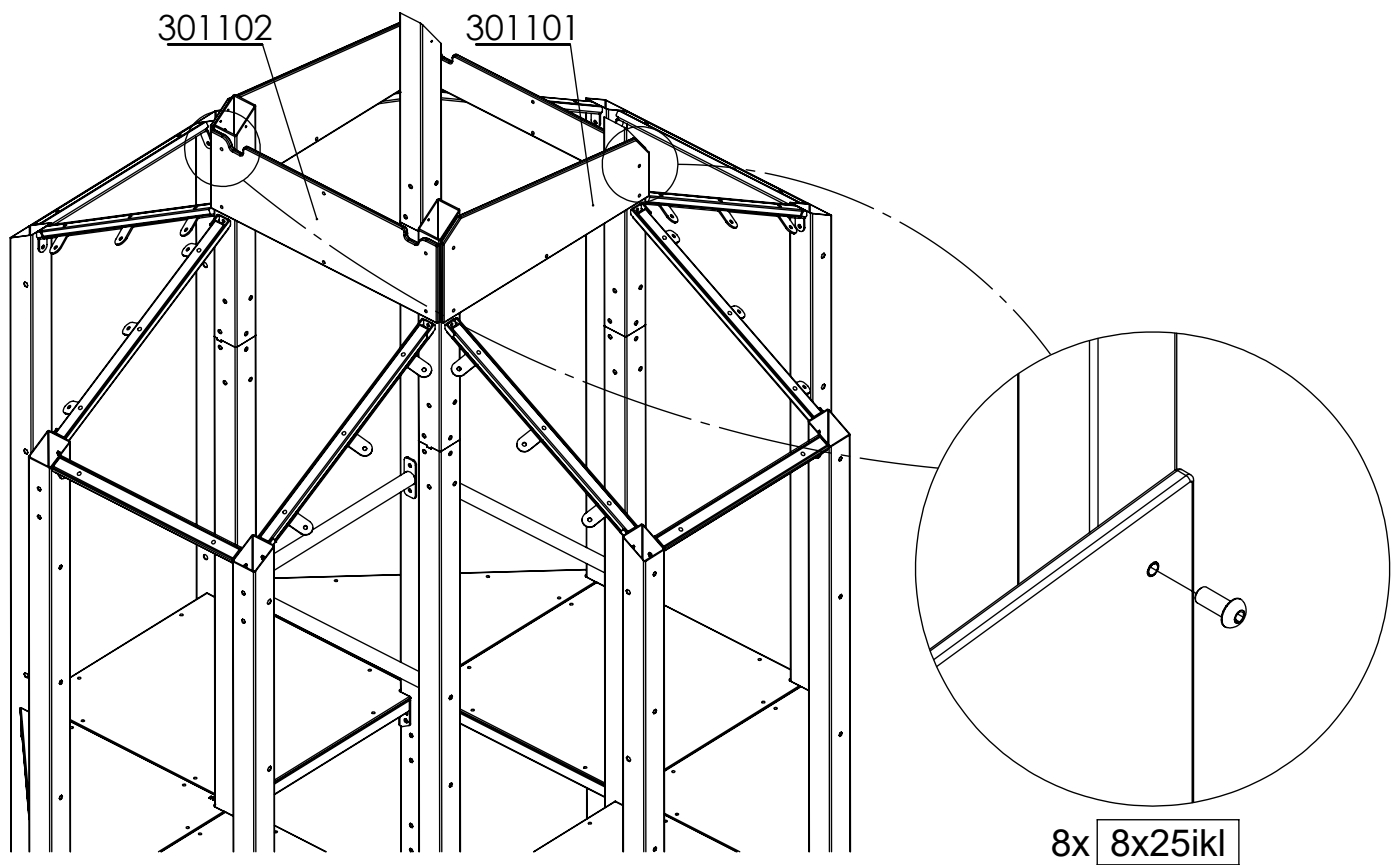


16x 10x25ikl
16x 10pp

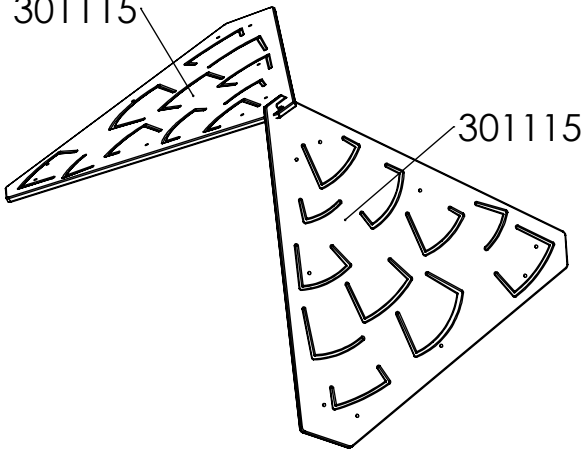


[cm]

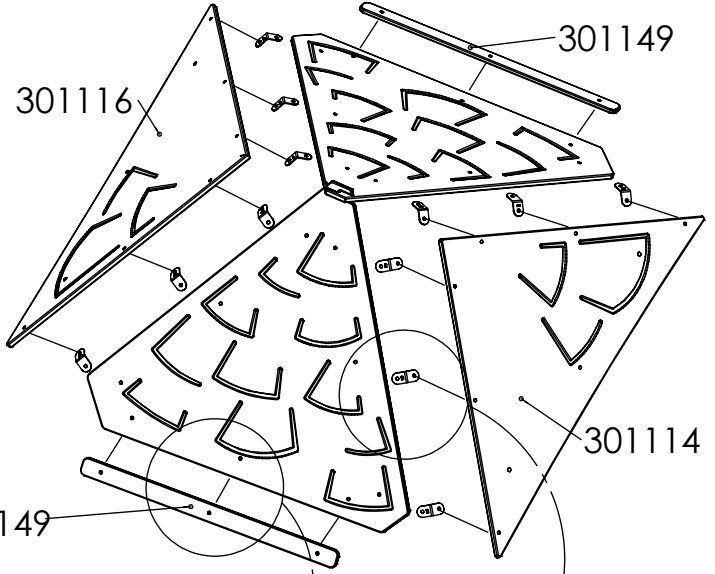
vinci
play



301115



301115

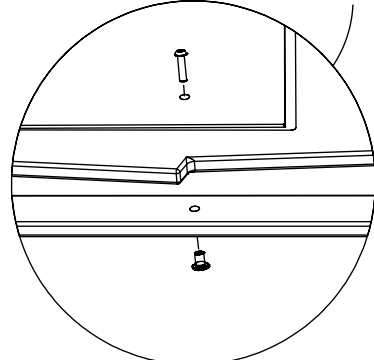


301149

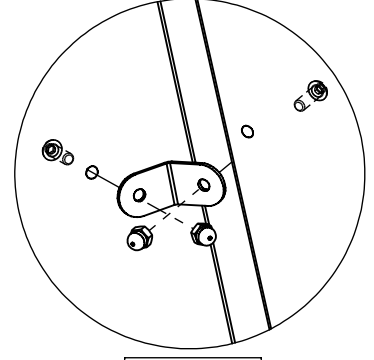
301116

301114

301149

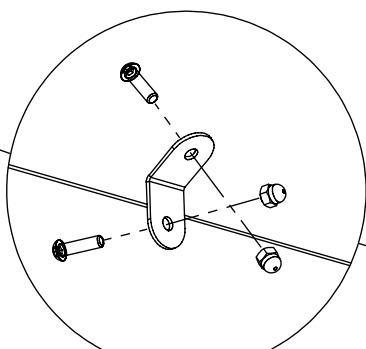
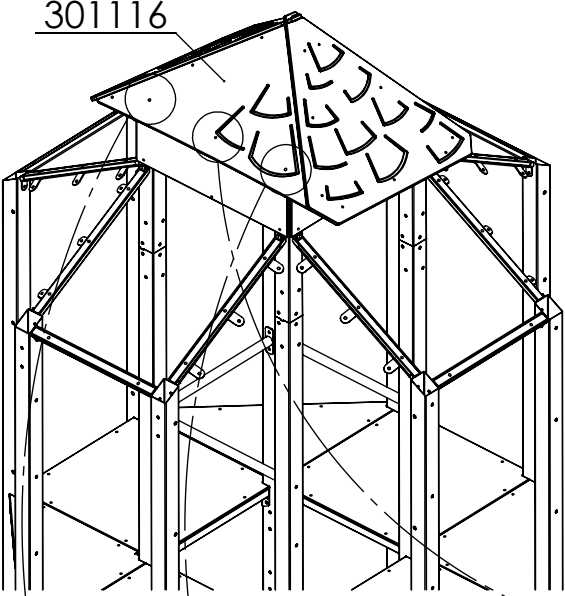


2x 30c152



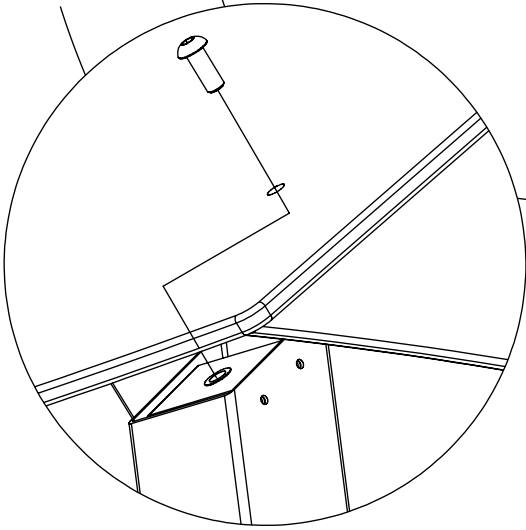
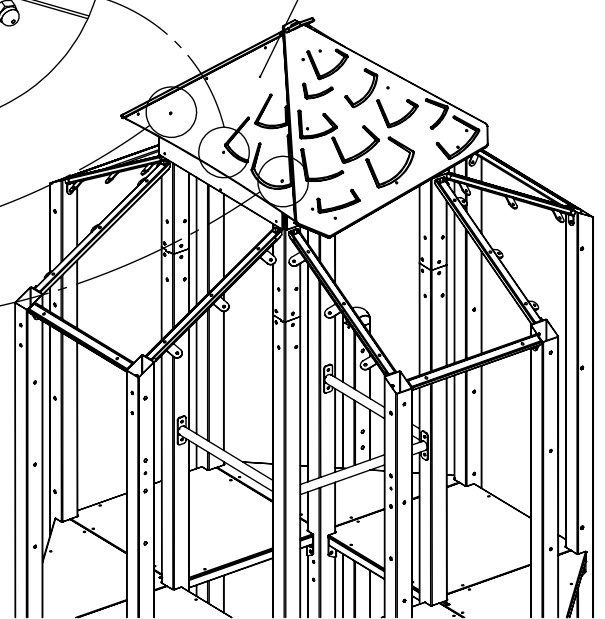
1x 30c058

301116



1x 30c154

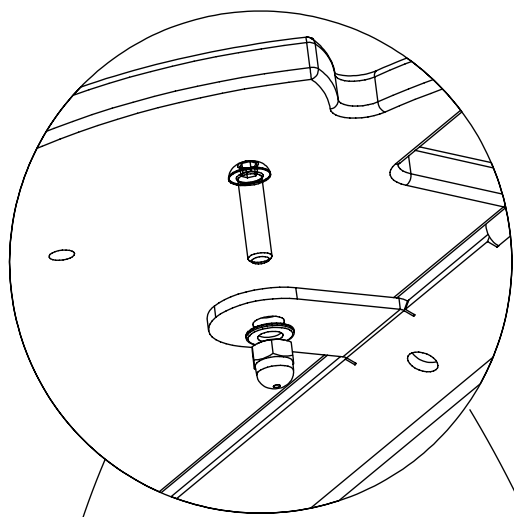
301114



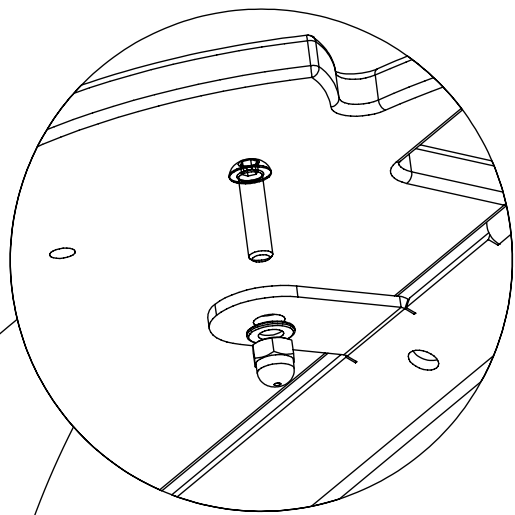
4x 10x30ikl

[cm]

vinci play

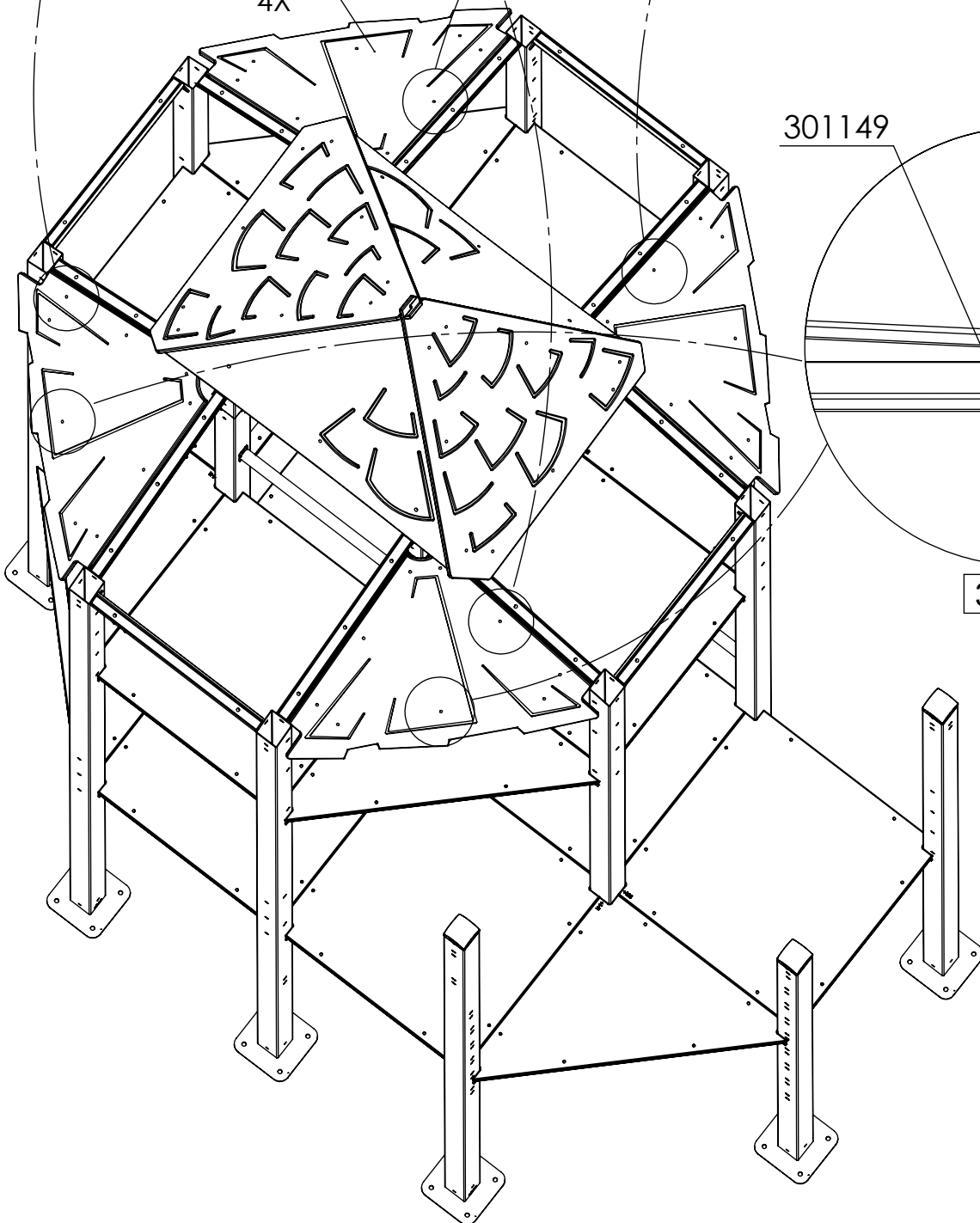


2x 30c060

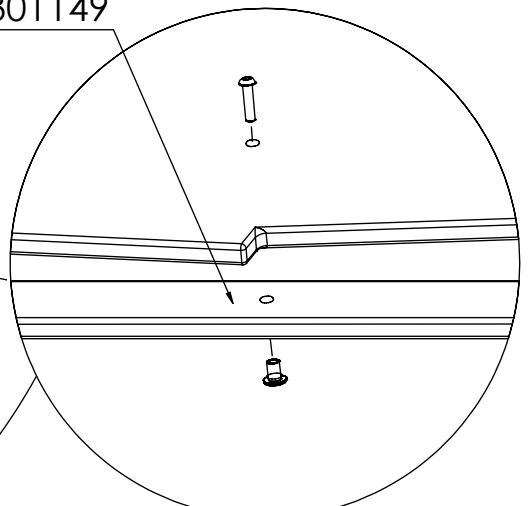


2x 30c148

301108
4X



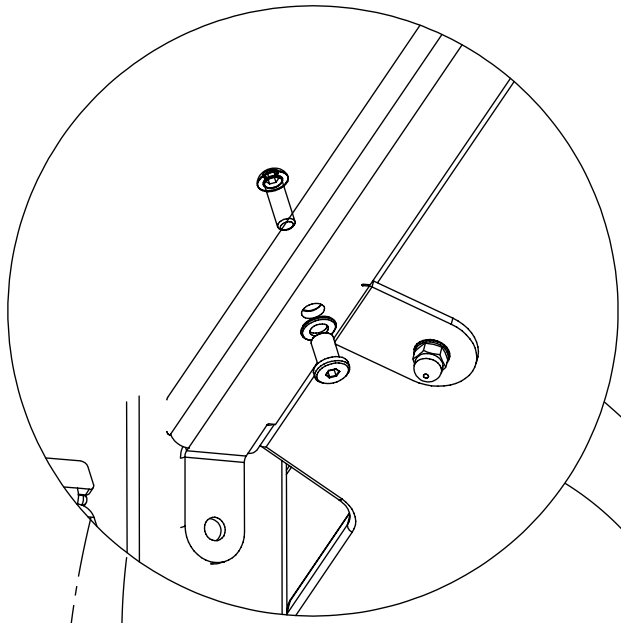
301149



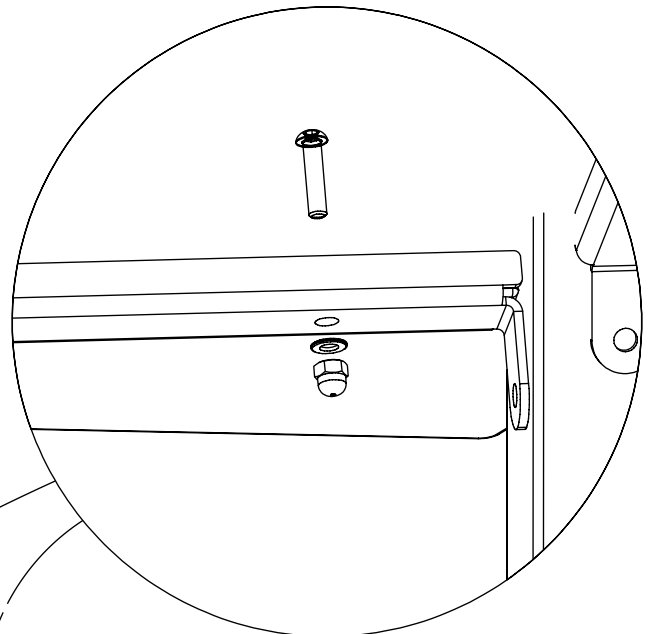
30c060

[cm]

vinci
play

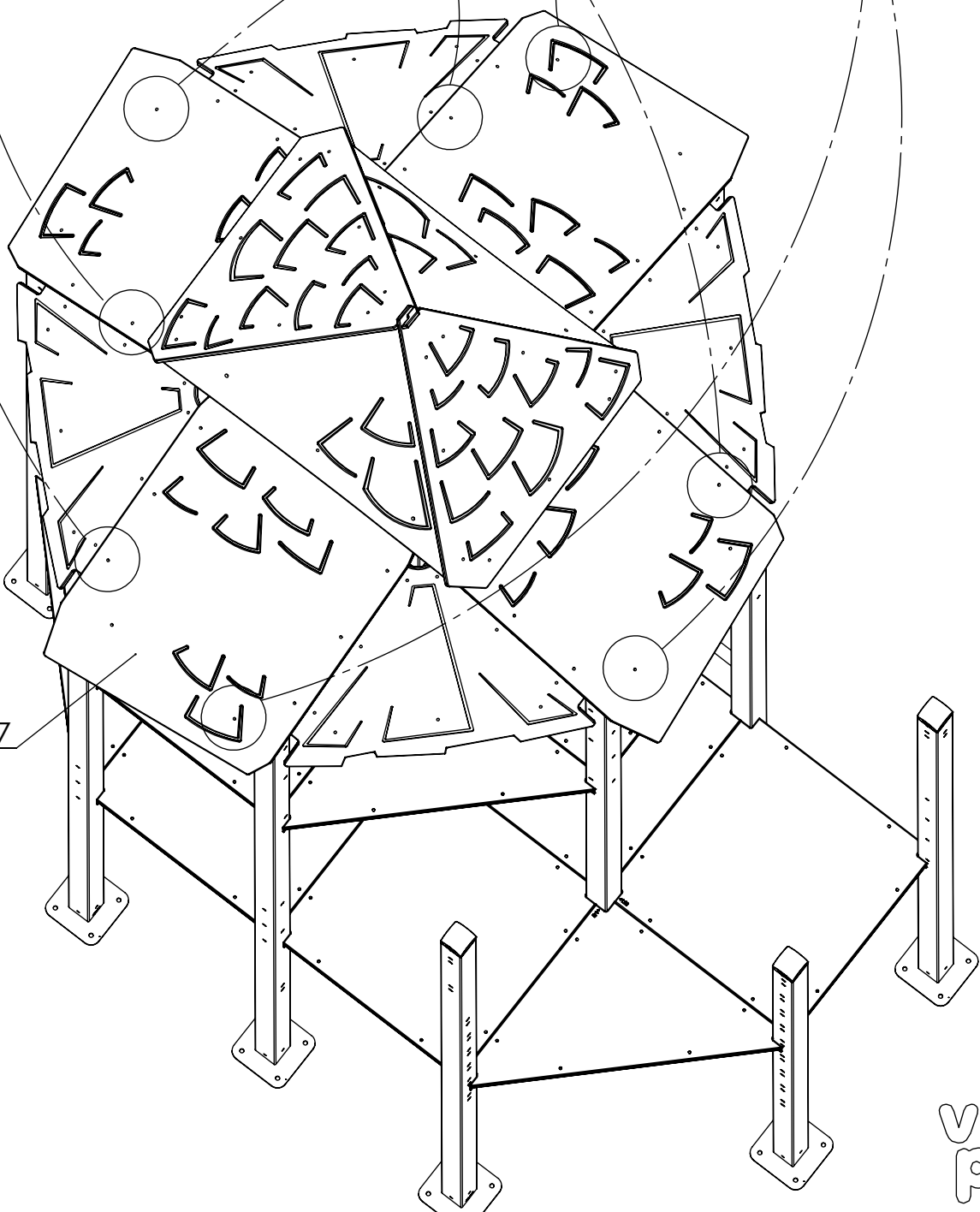


4x 30c070



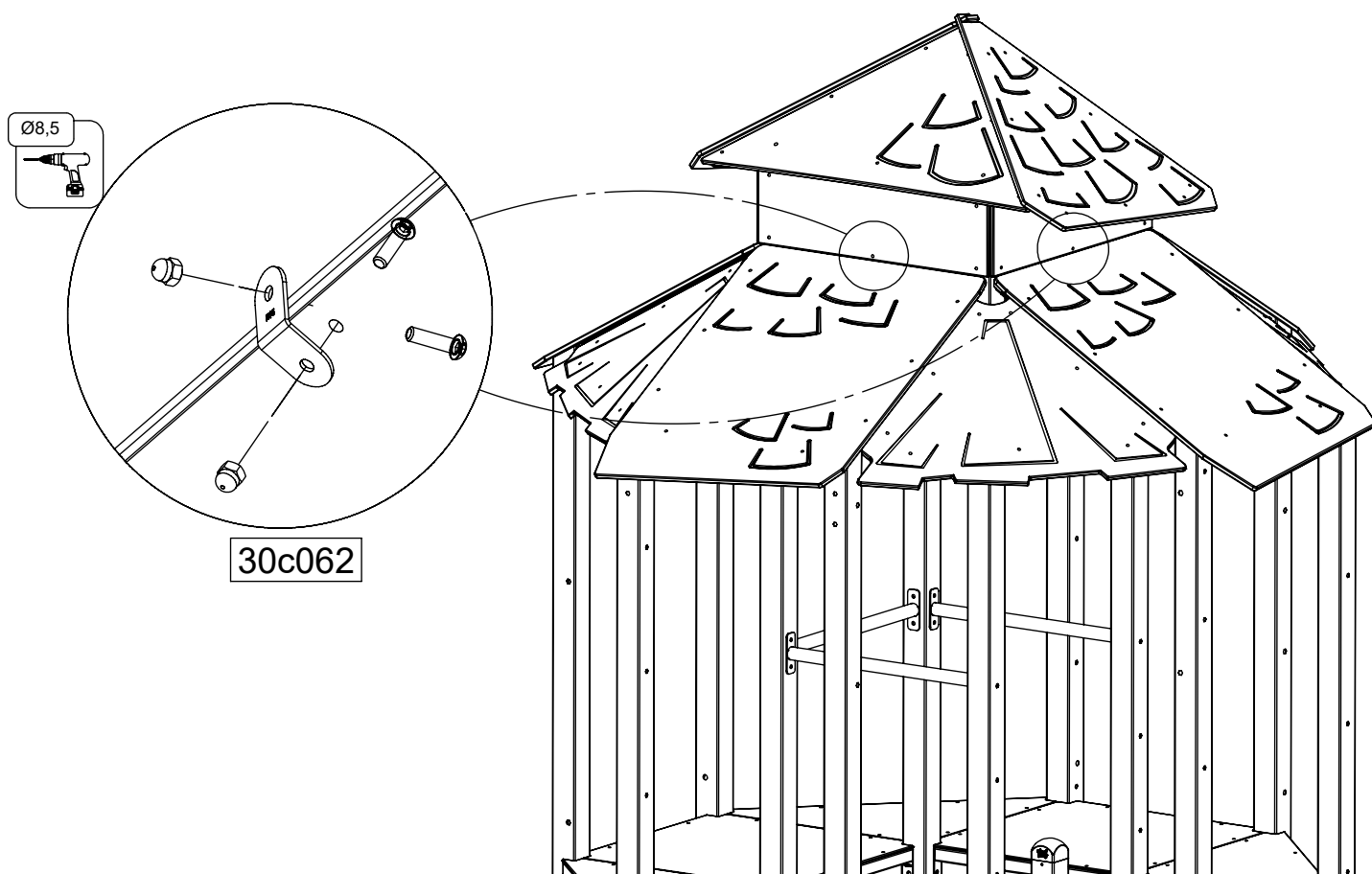
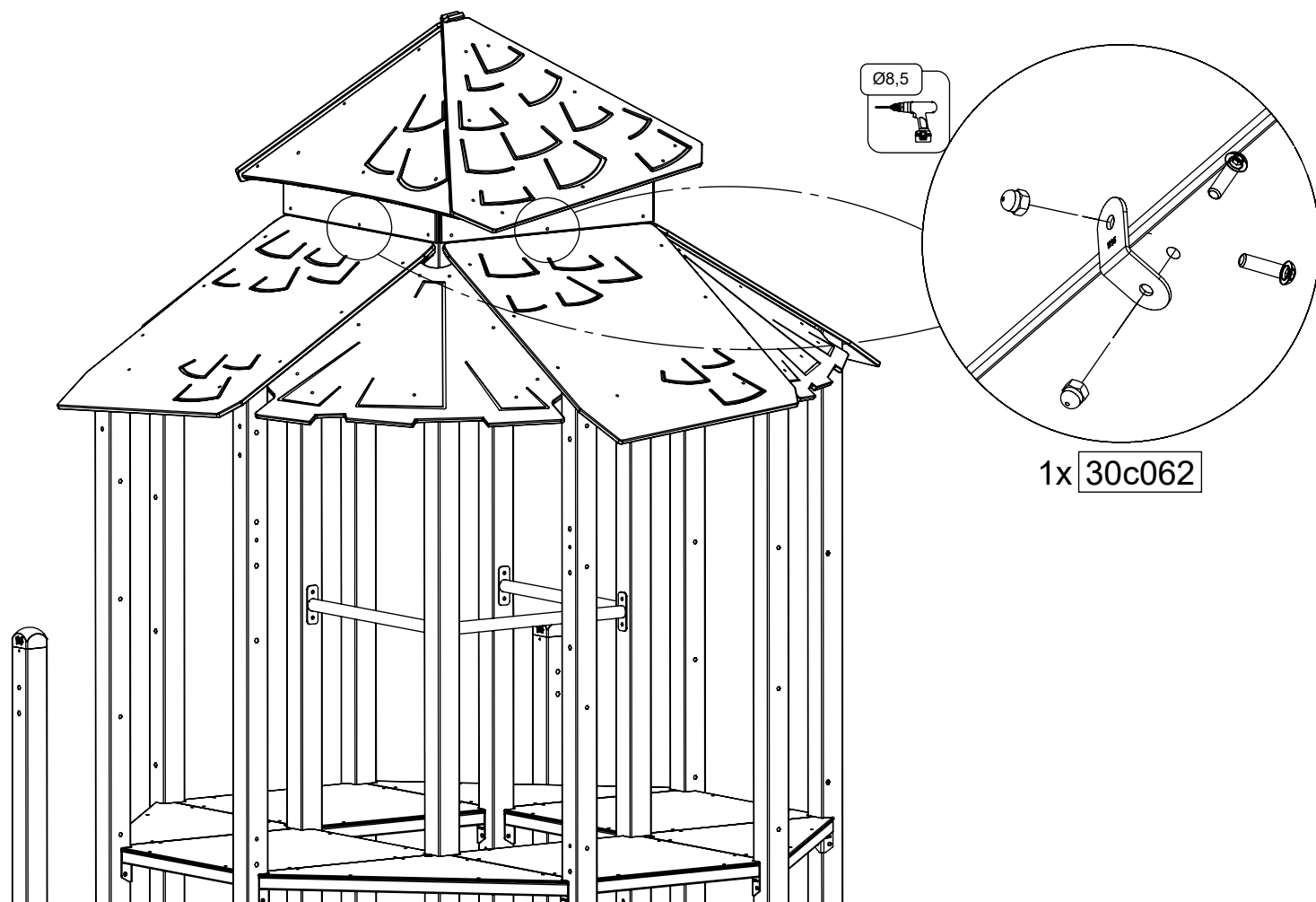
4x 30c068

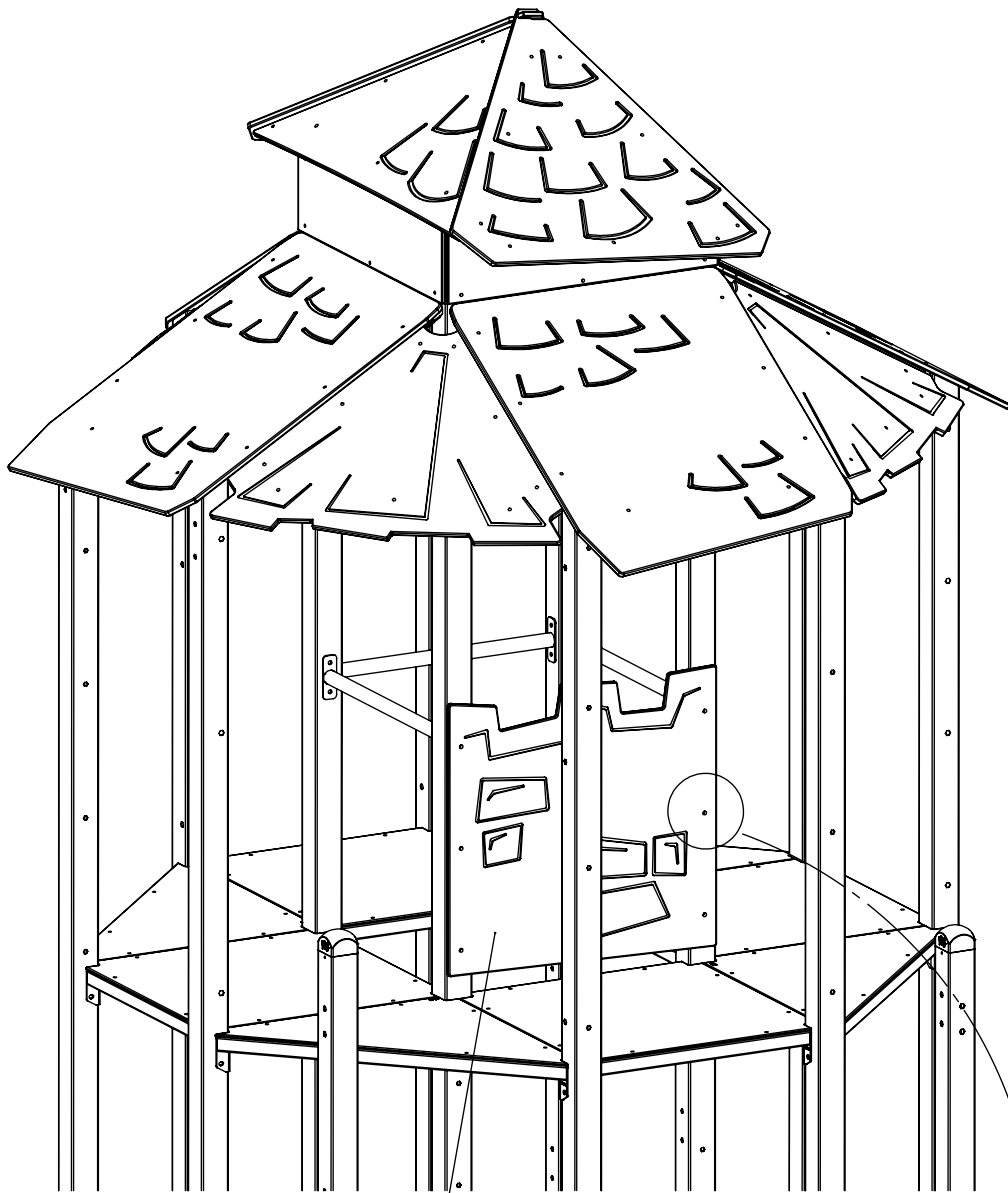
301197
4X



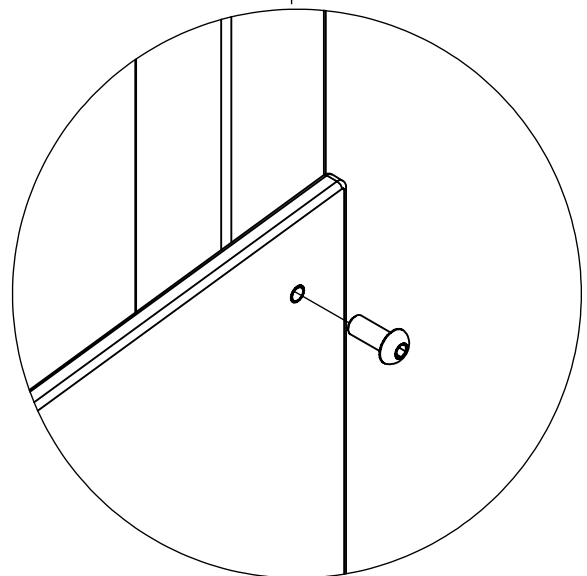
[cm]

vinci
play





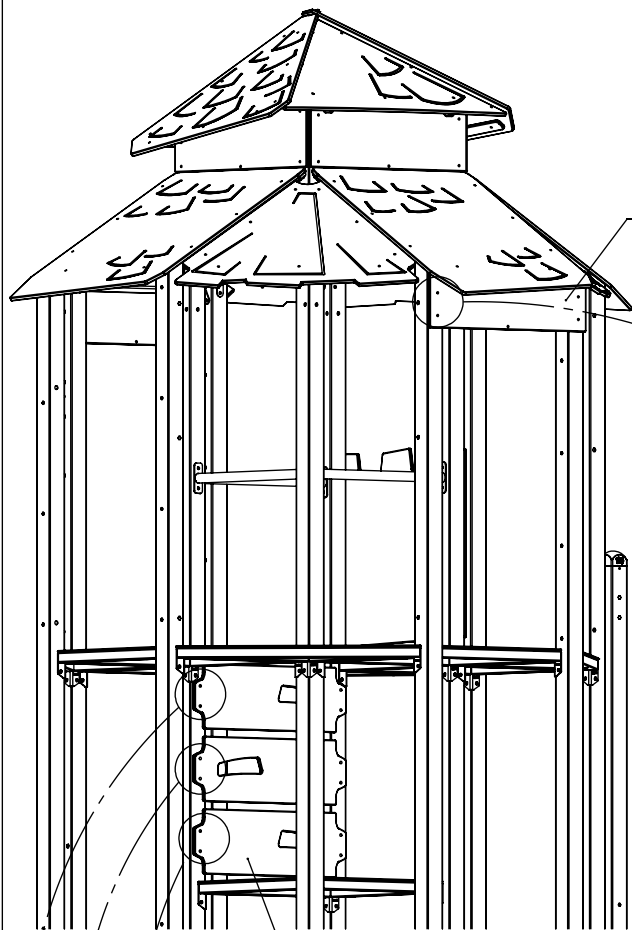
301126



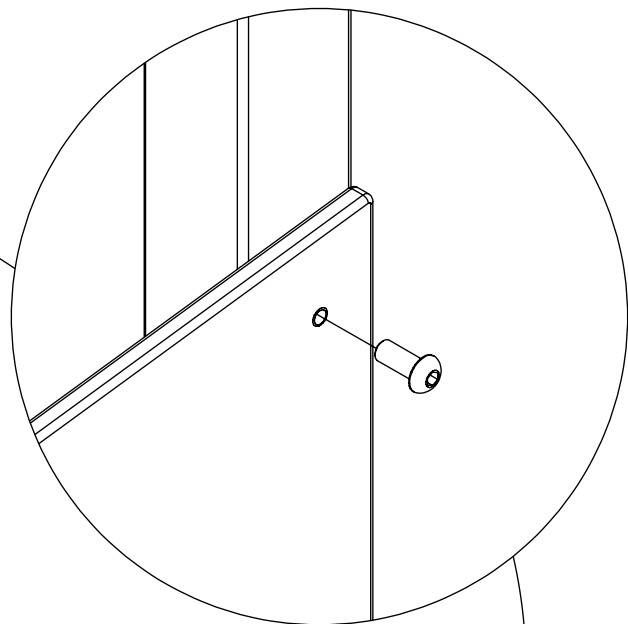
6x 8x25ikl

[cm]

vinci
play

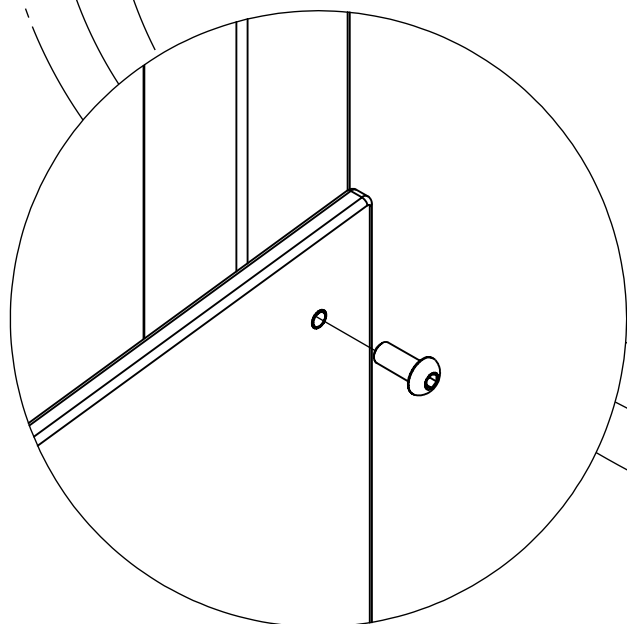


301199
2X

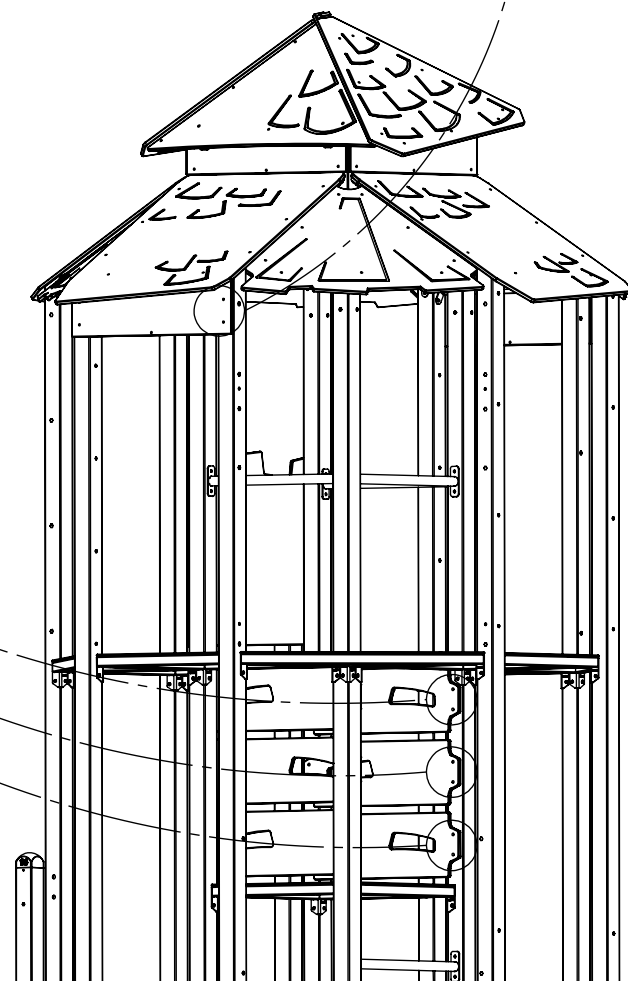


8x 8x30ikl

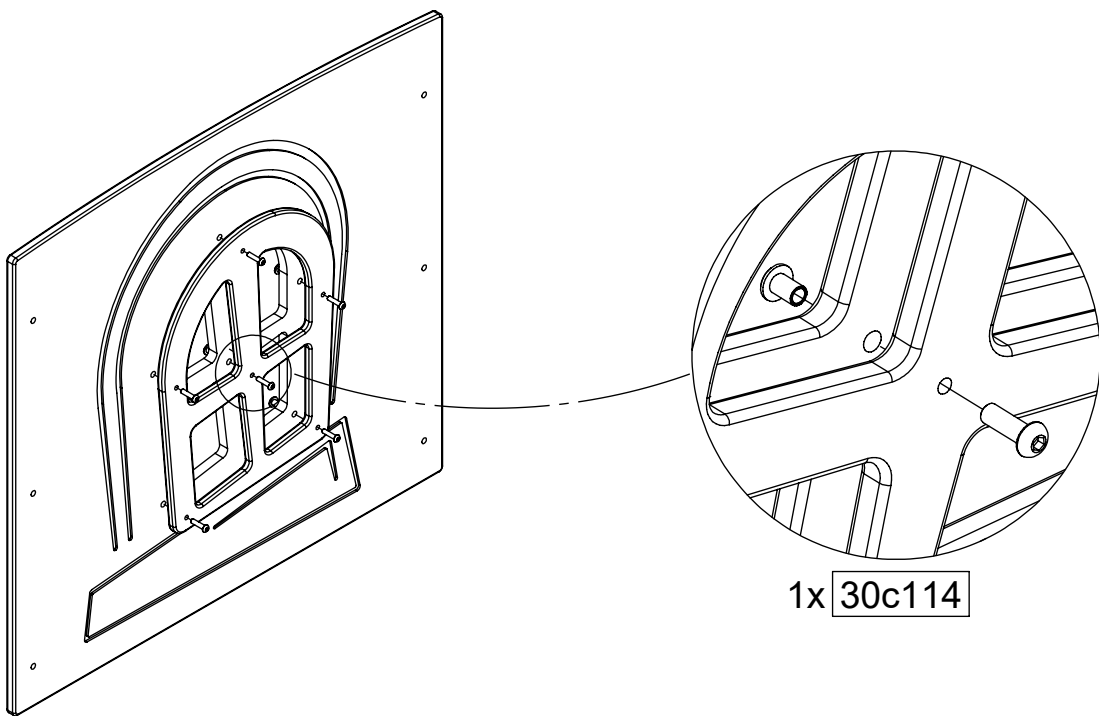
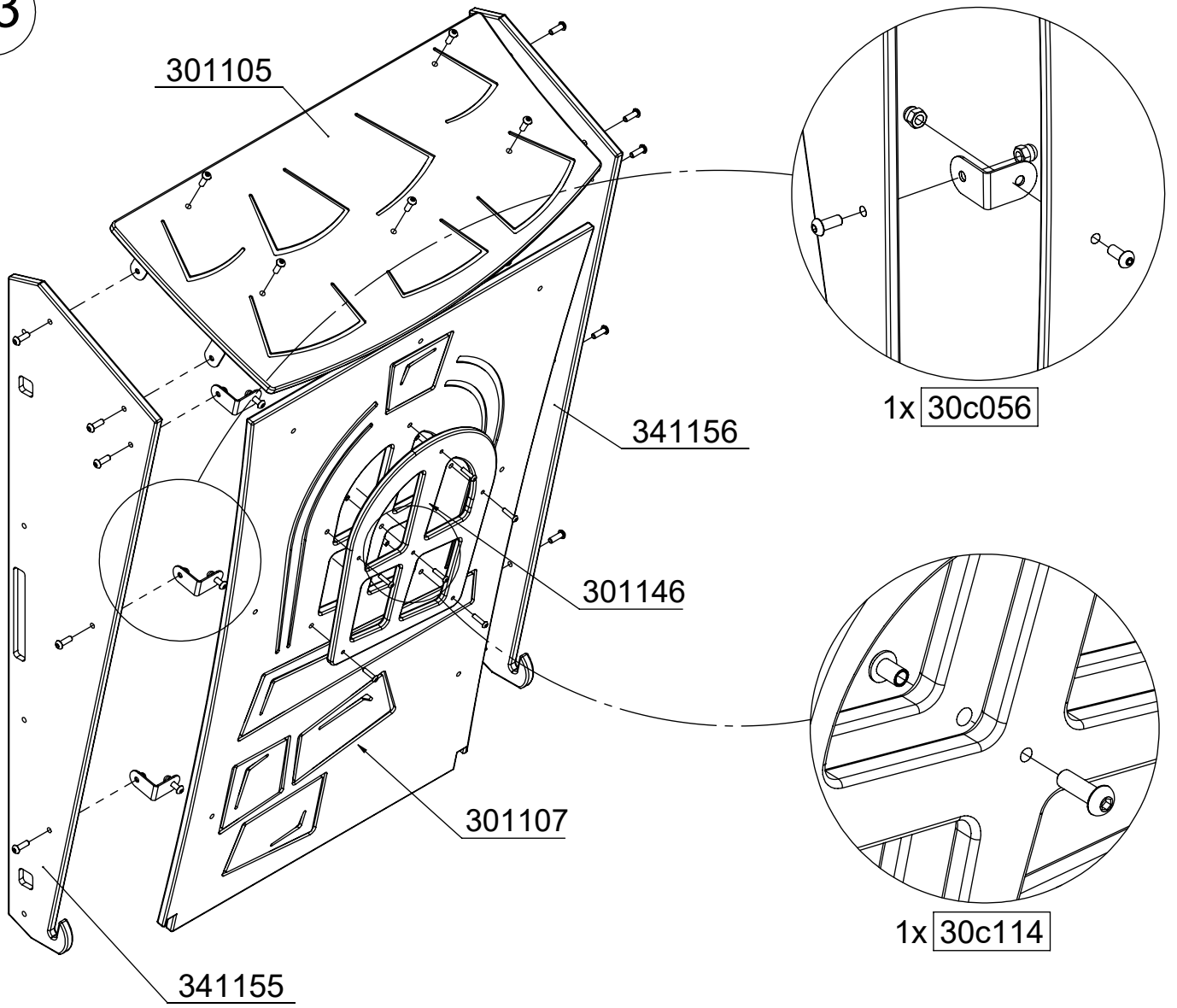
171240
6X



24x 8x30ikl

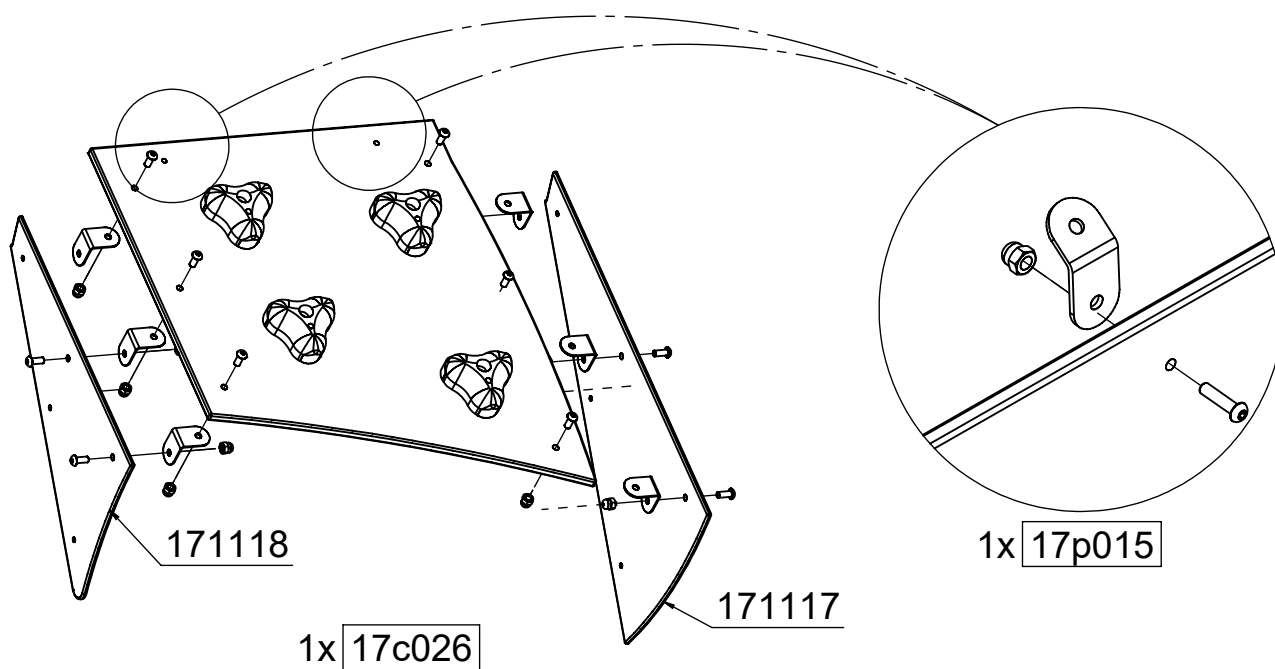
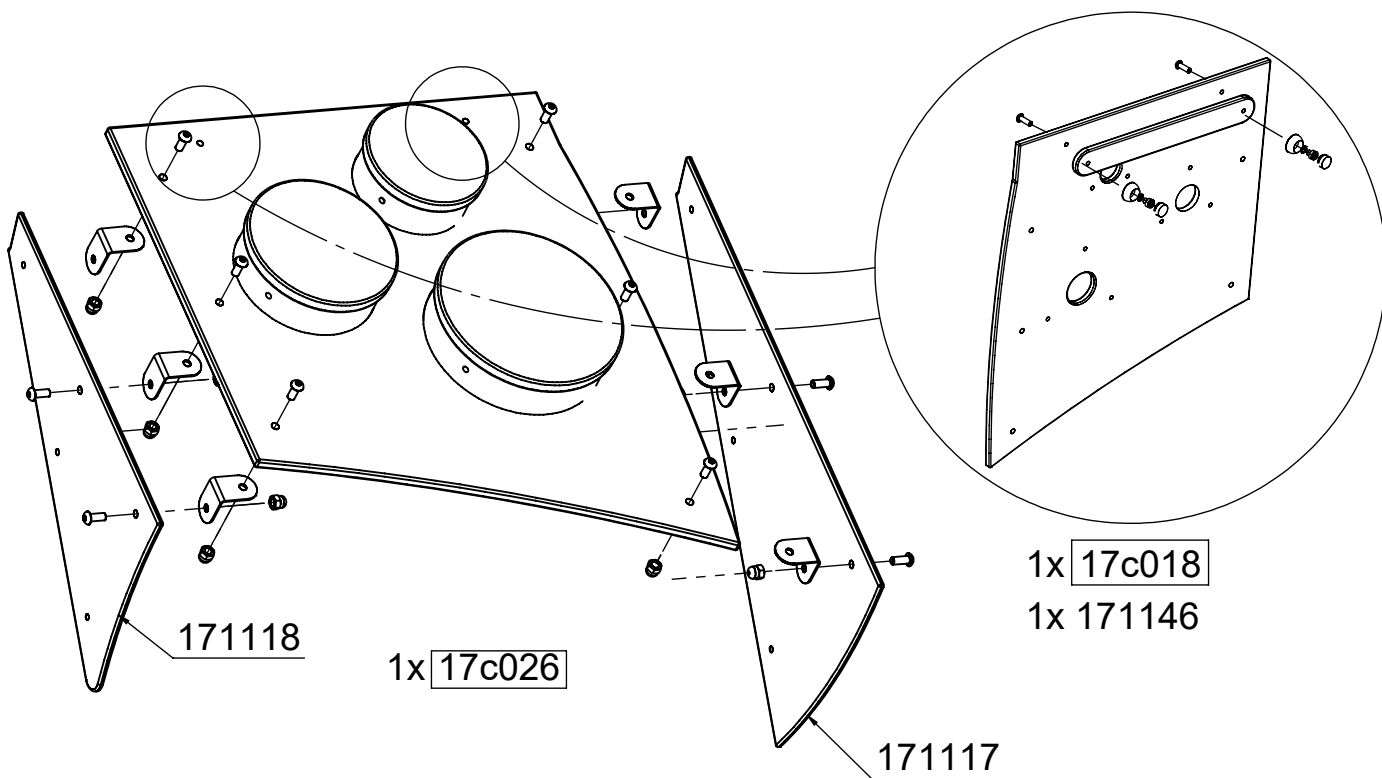


x3

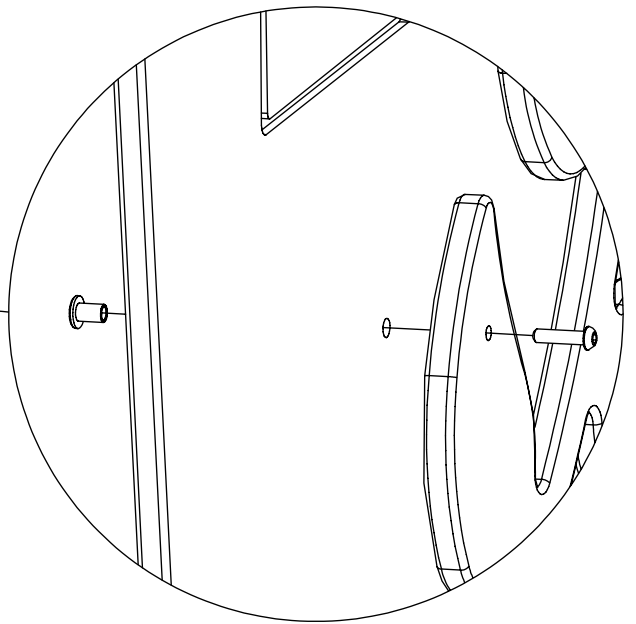
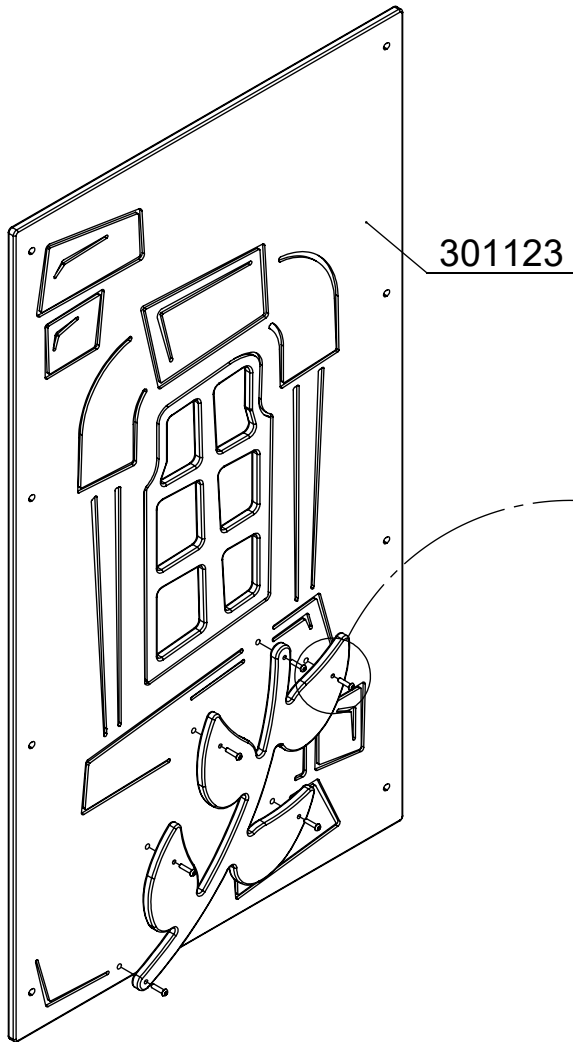


[cm]

vinci
play

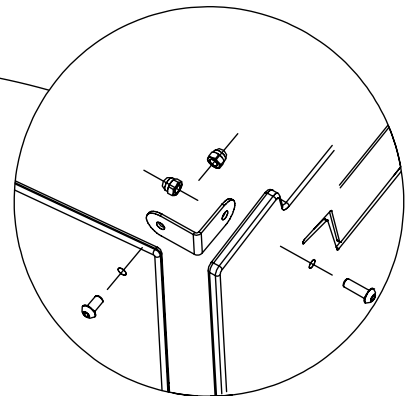
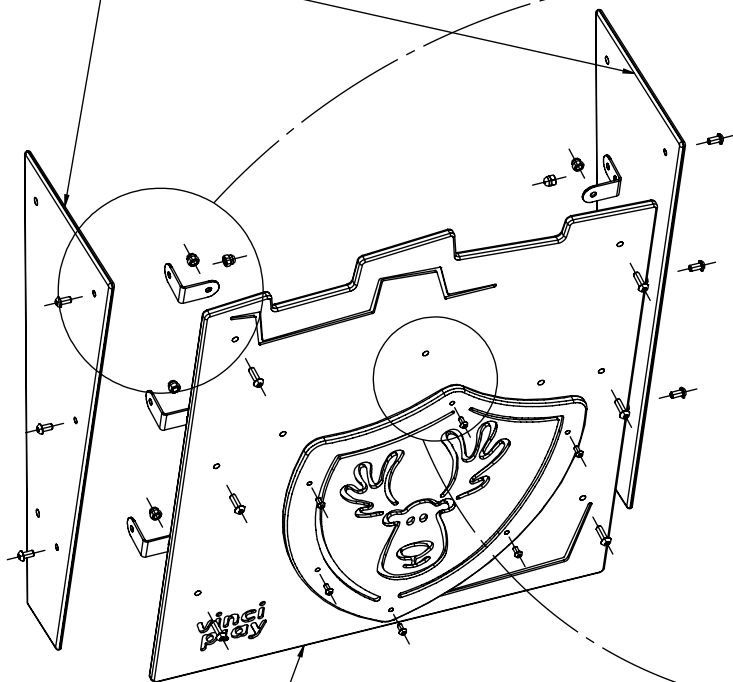


x2

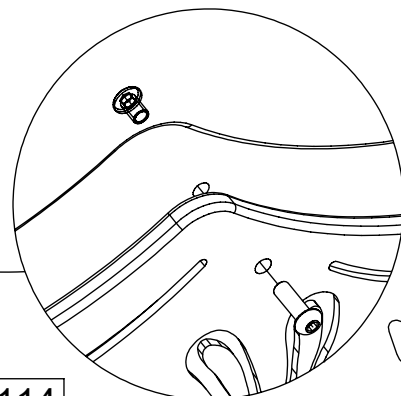


1x C116

141137



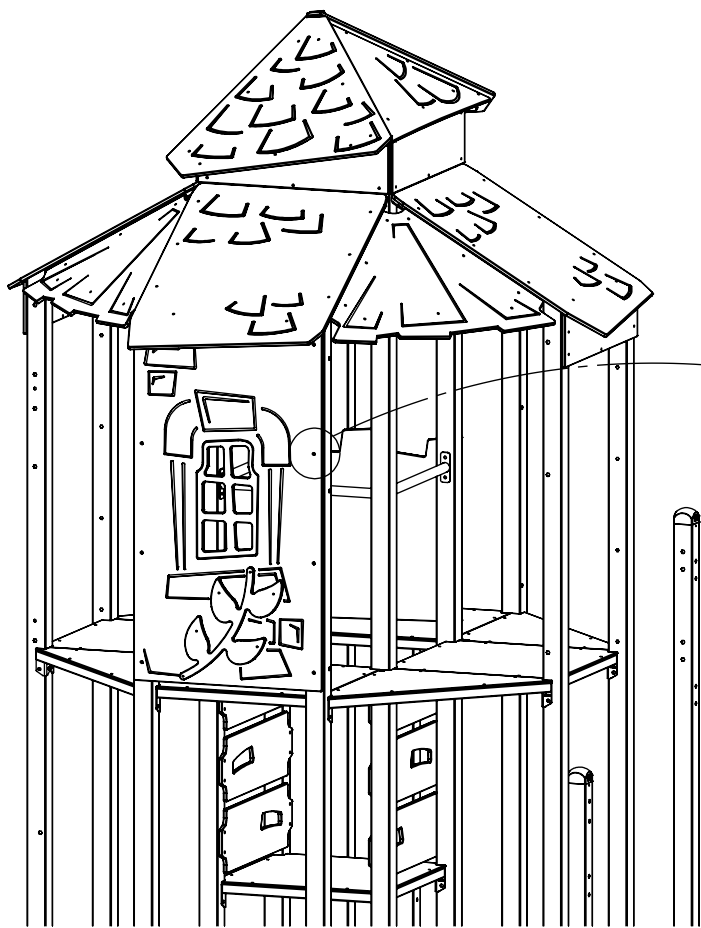
1x 30c012



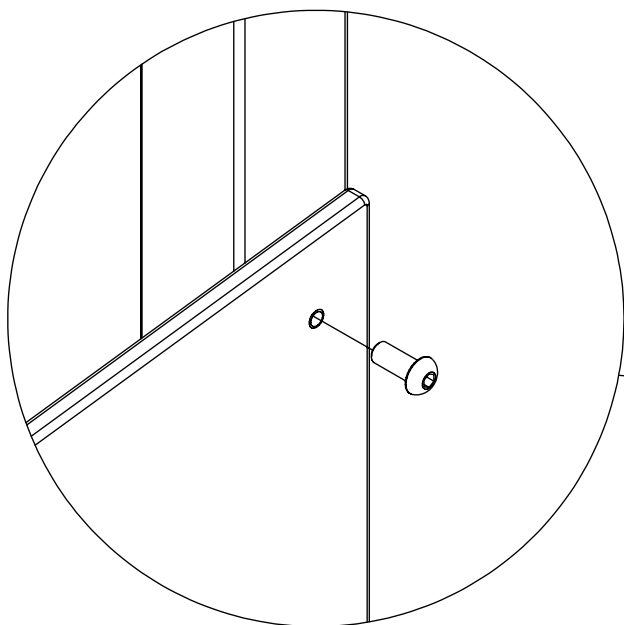
1x 30c114

[cm]

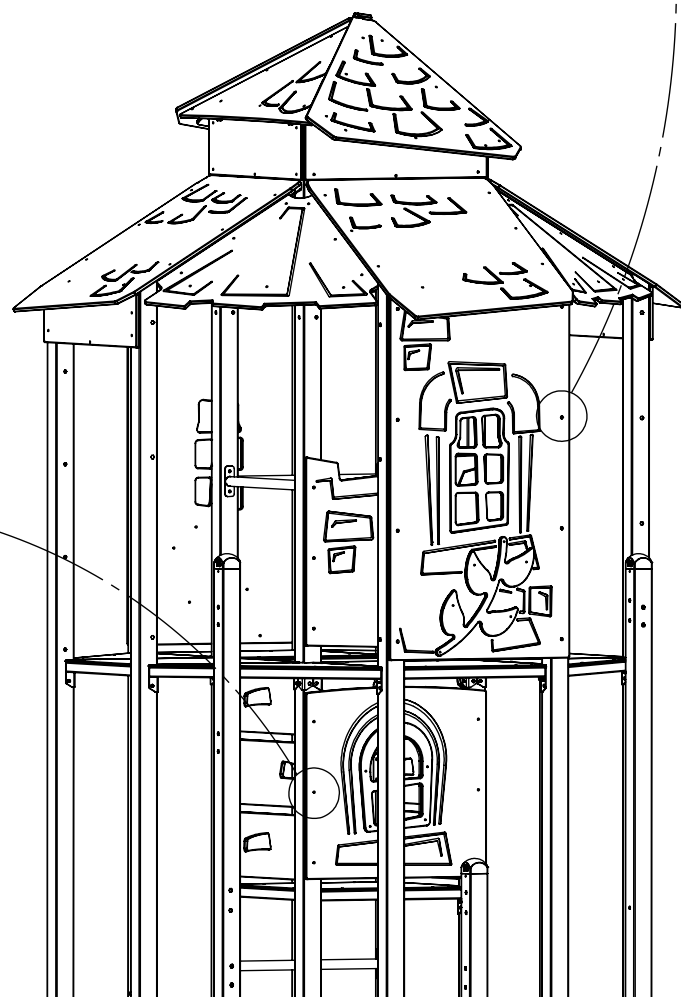
vinci play

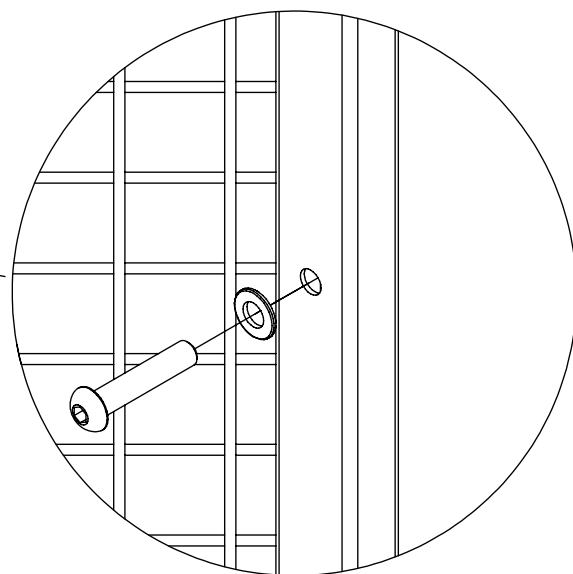
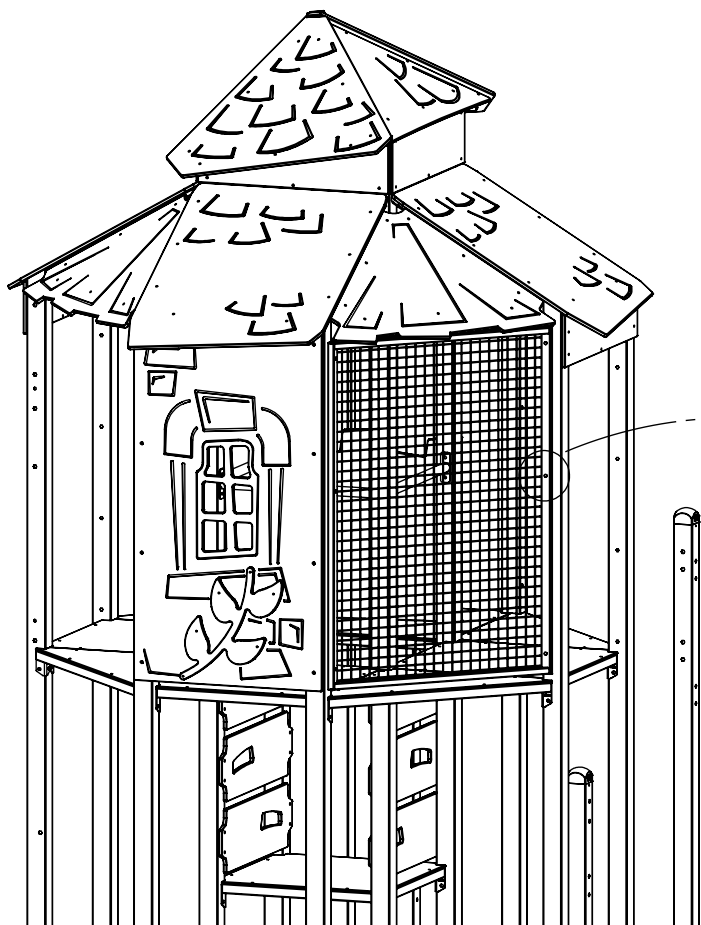


16x 8x30iki

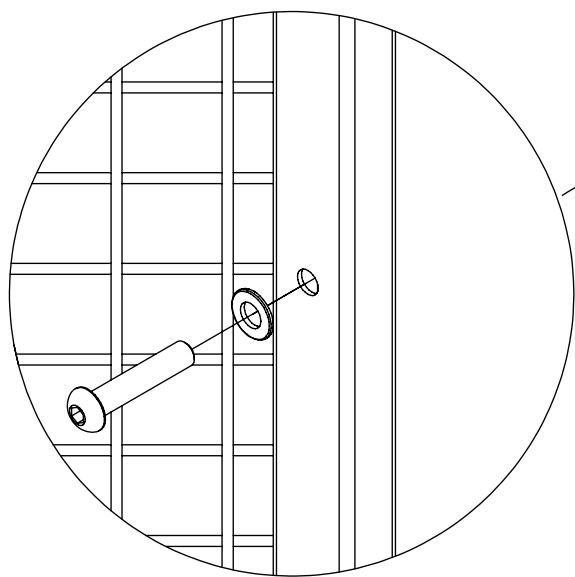
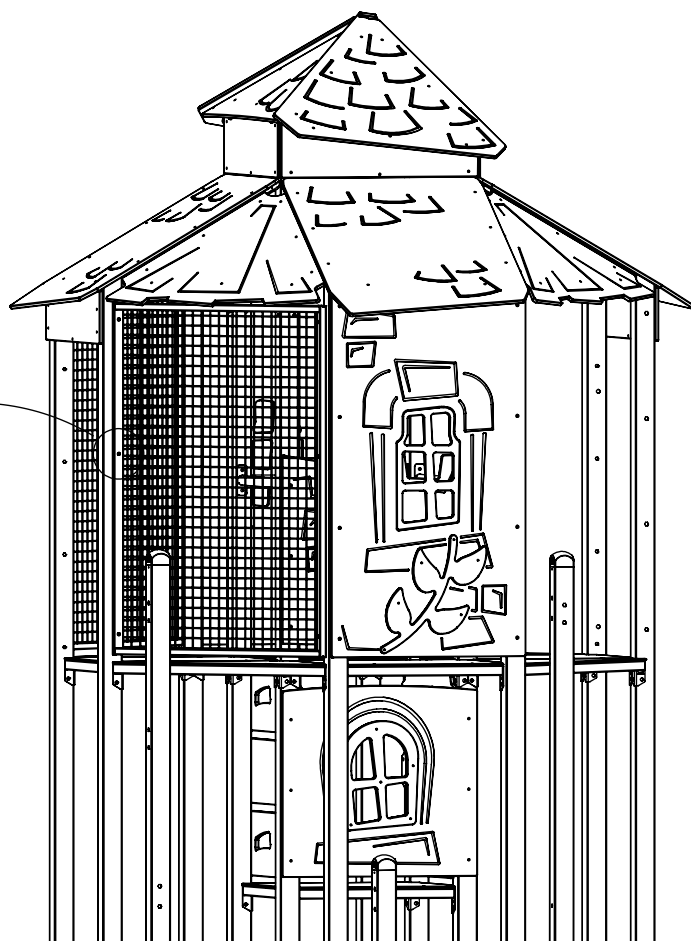


6x 8x30iki

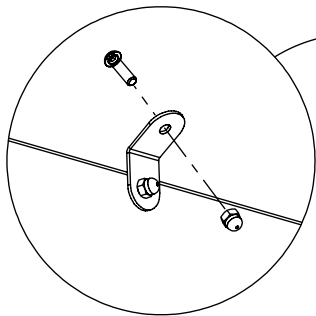
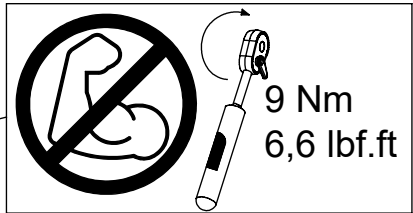




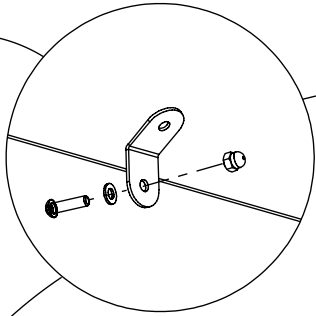
1x 30e032



1x 30e032

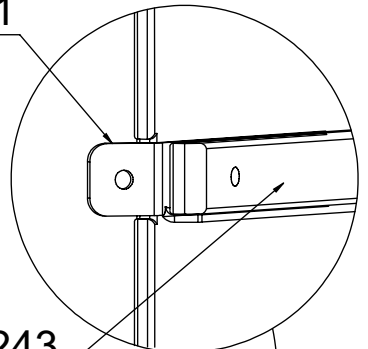


30c148



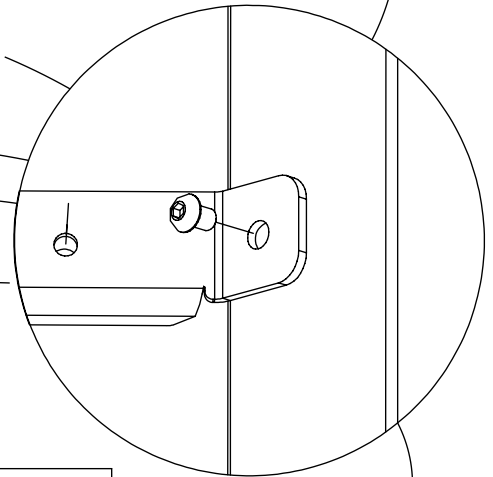
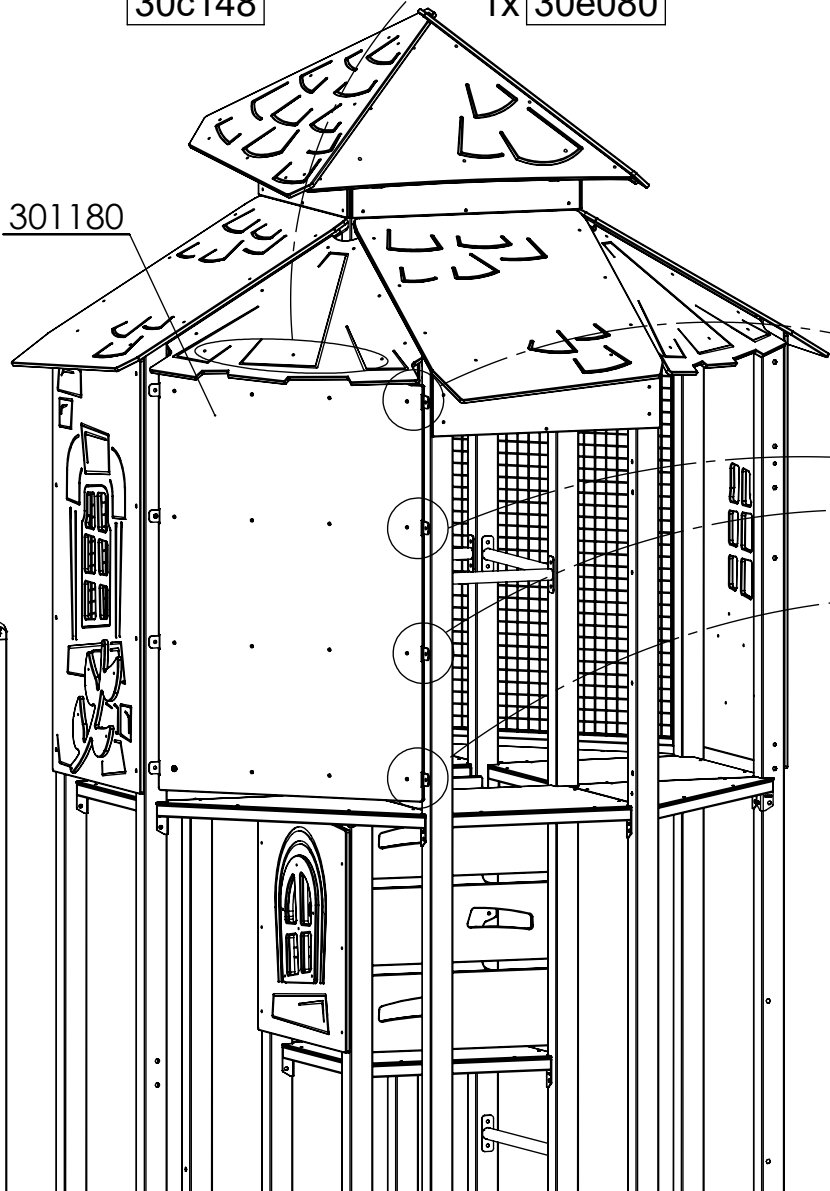
1x 30e080

i391

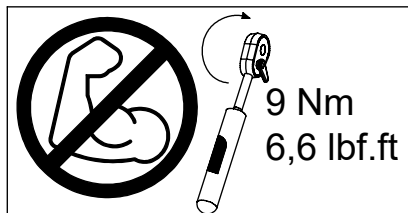
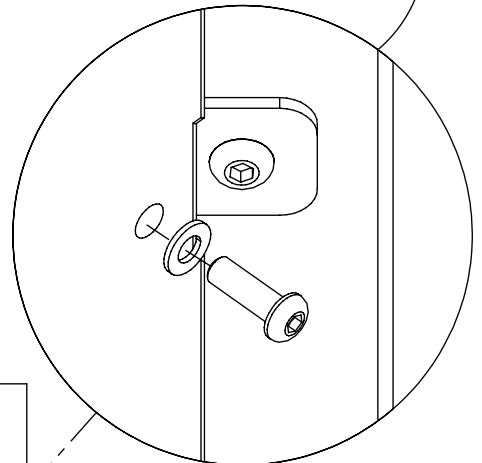


301243

301180

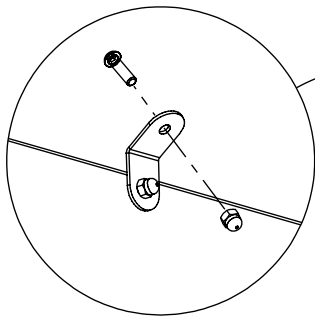


1x 30e072

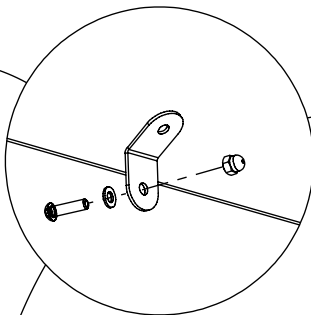


[cm]

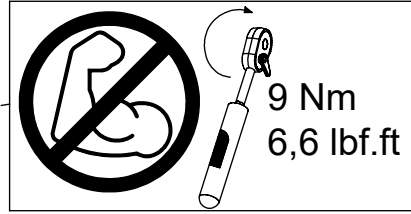
vinci
play



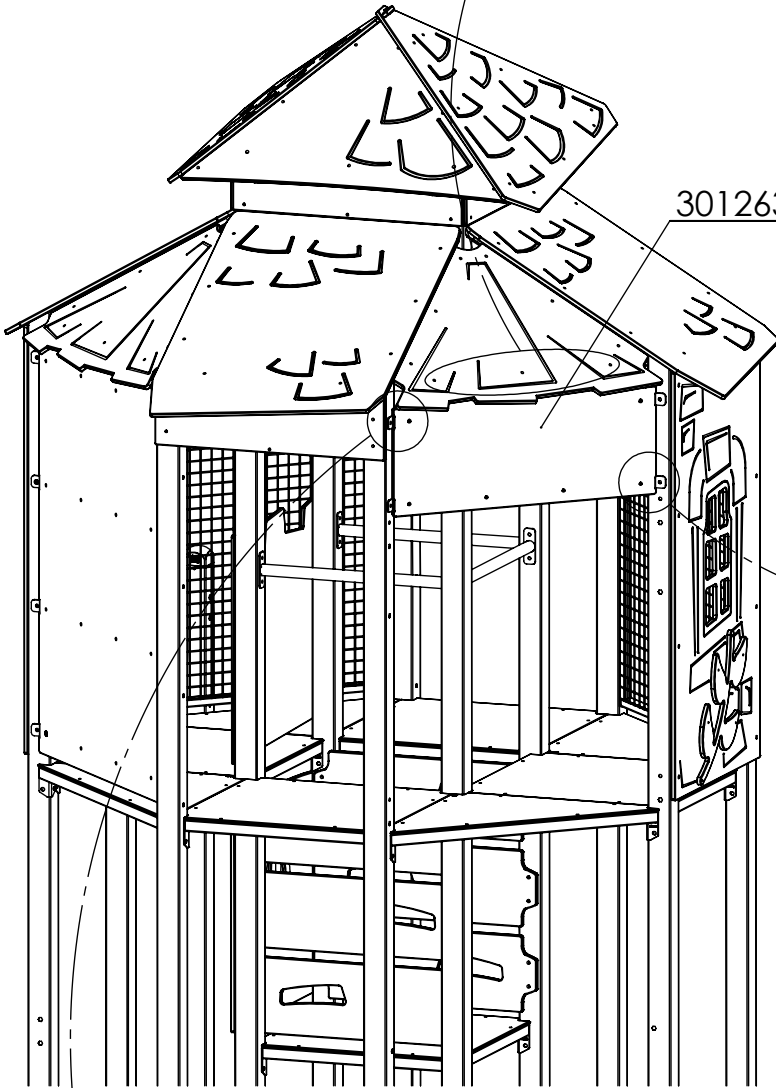
30c148



1x 30e080



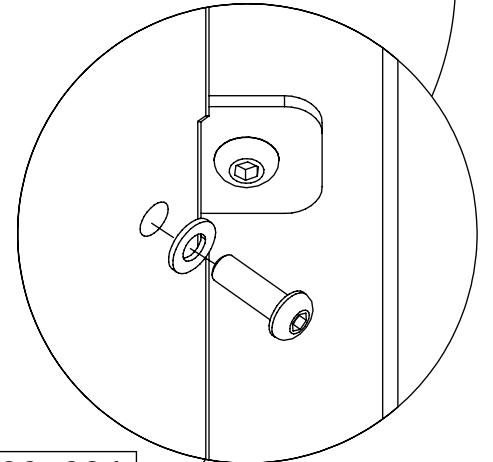
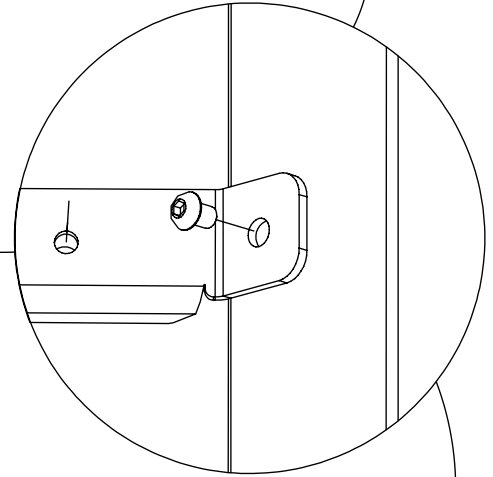
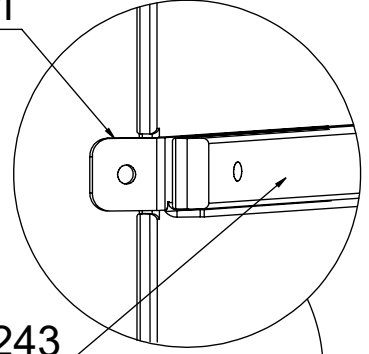
9 Nm
6,6 lbf.ft



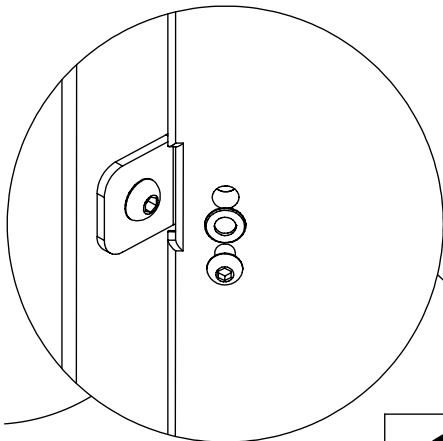
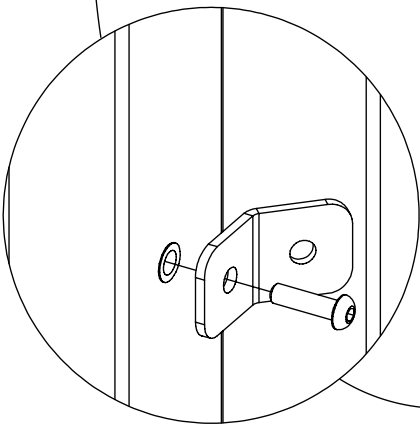
301263

301243

i391



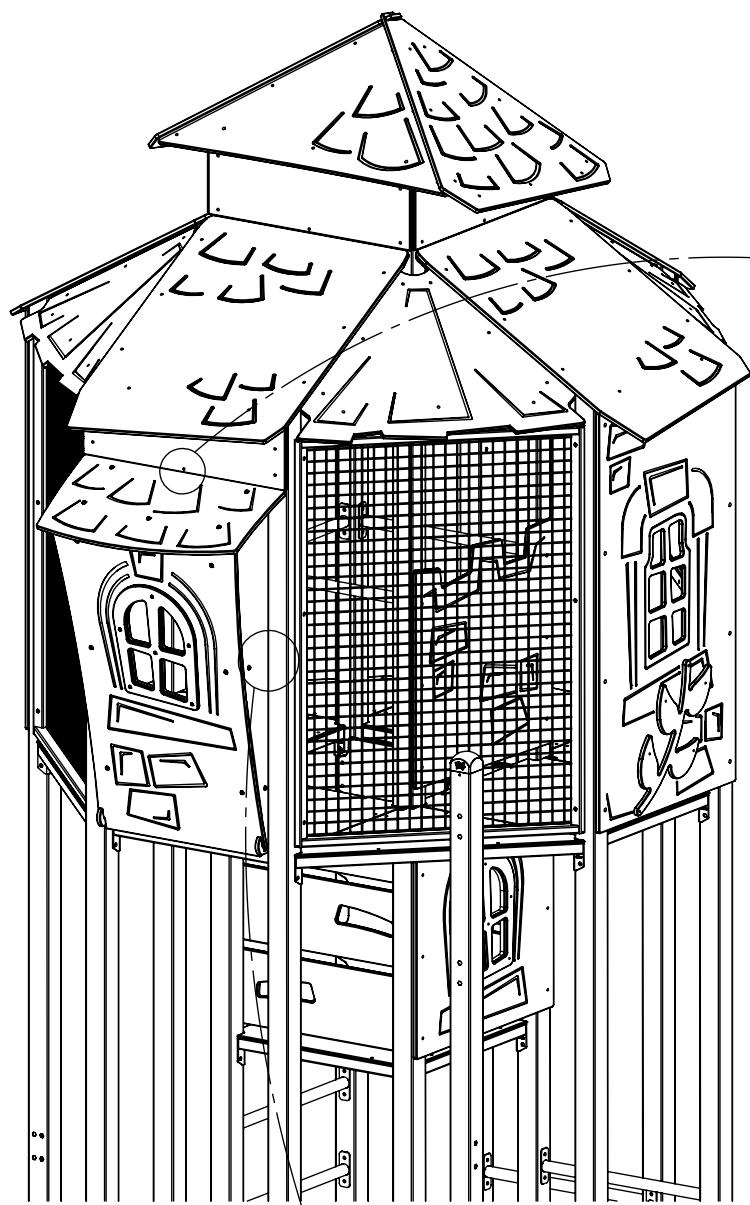
1x 30e084



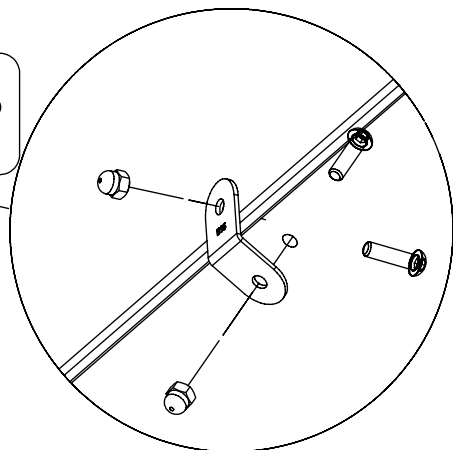
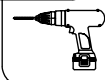
9 Nm
6,6 lbf.ft

vinci
play

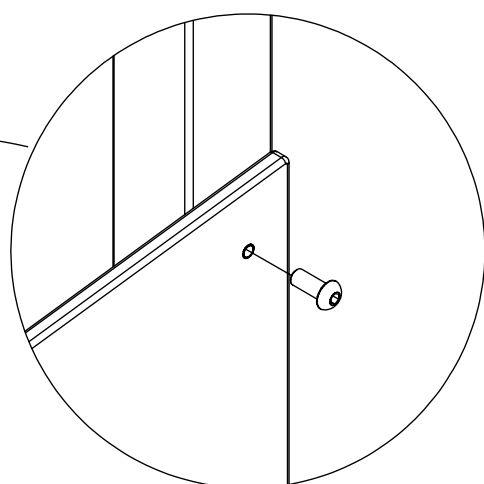
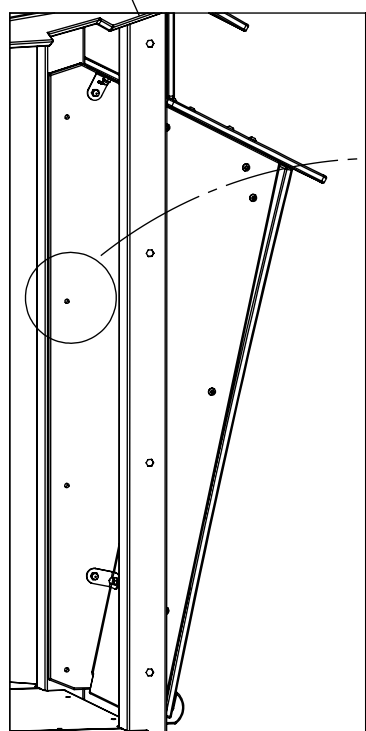
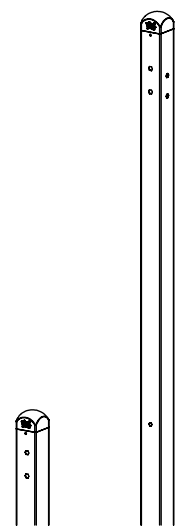
[cm]



Ø8,5



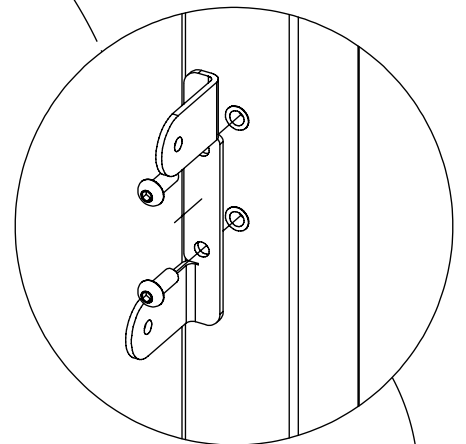
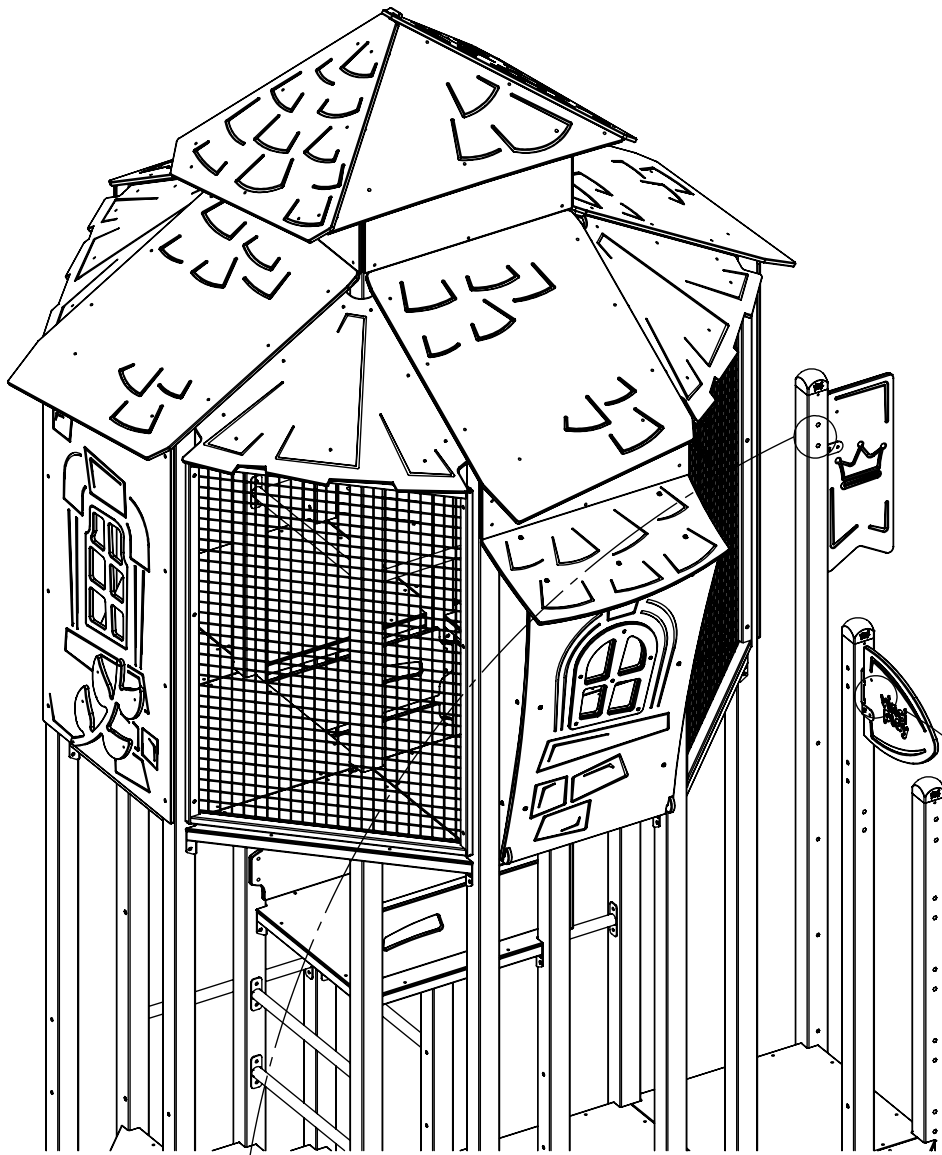
1x 30c124



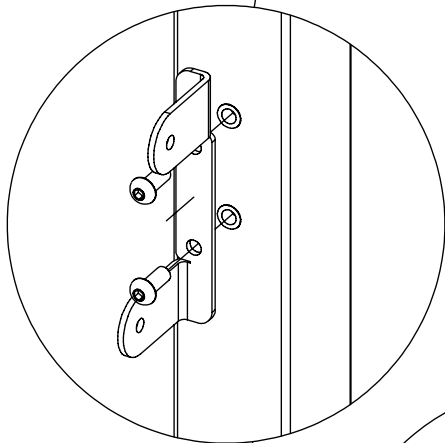
8x 8x30ikl

[cm]

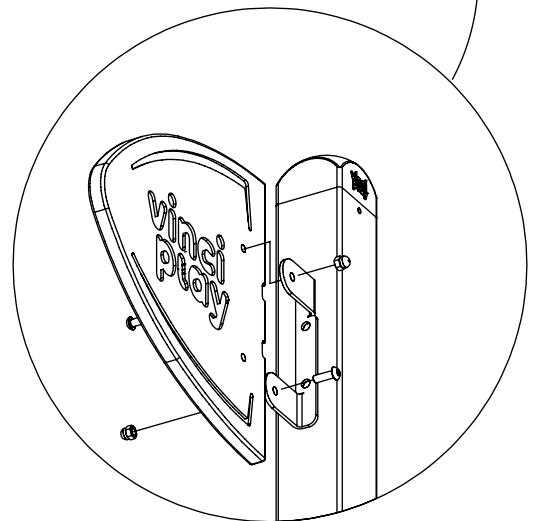
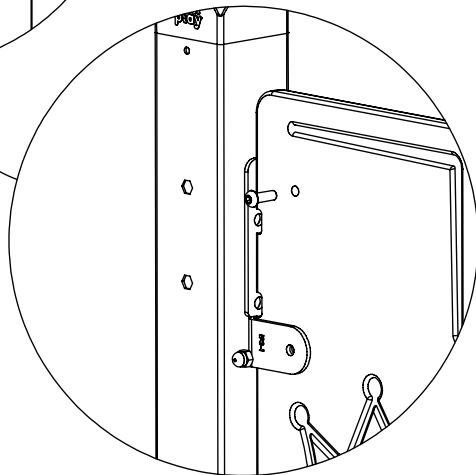
vinci
play

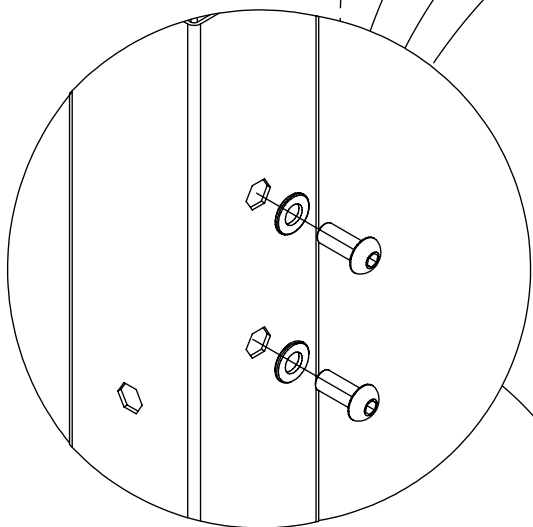
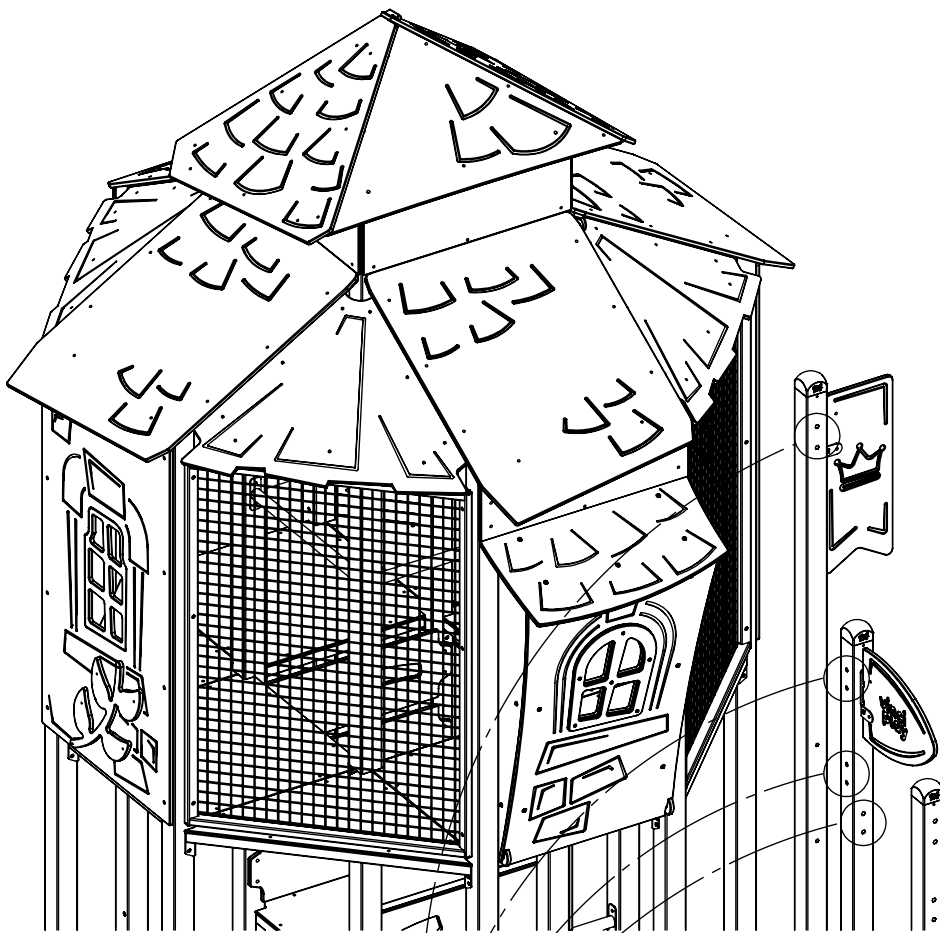


1x E15



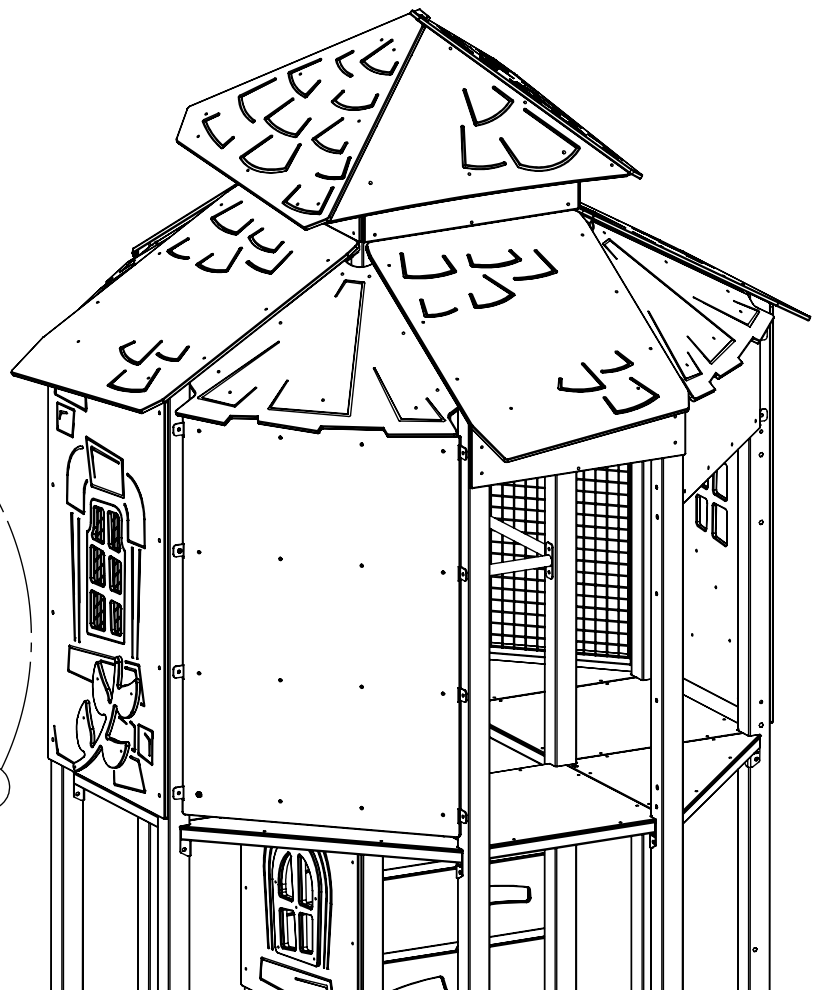
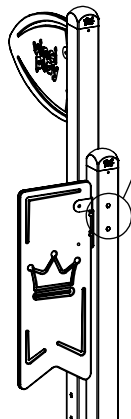
1x E15

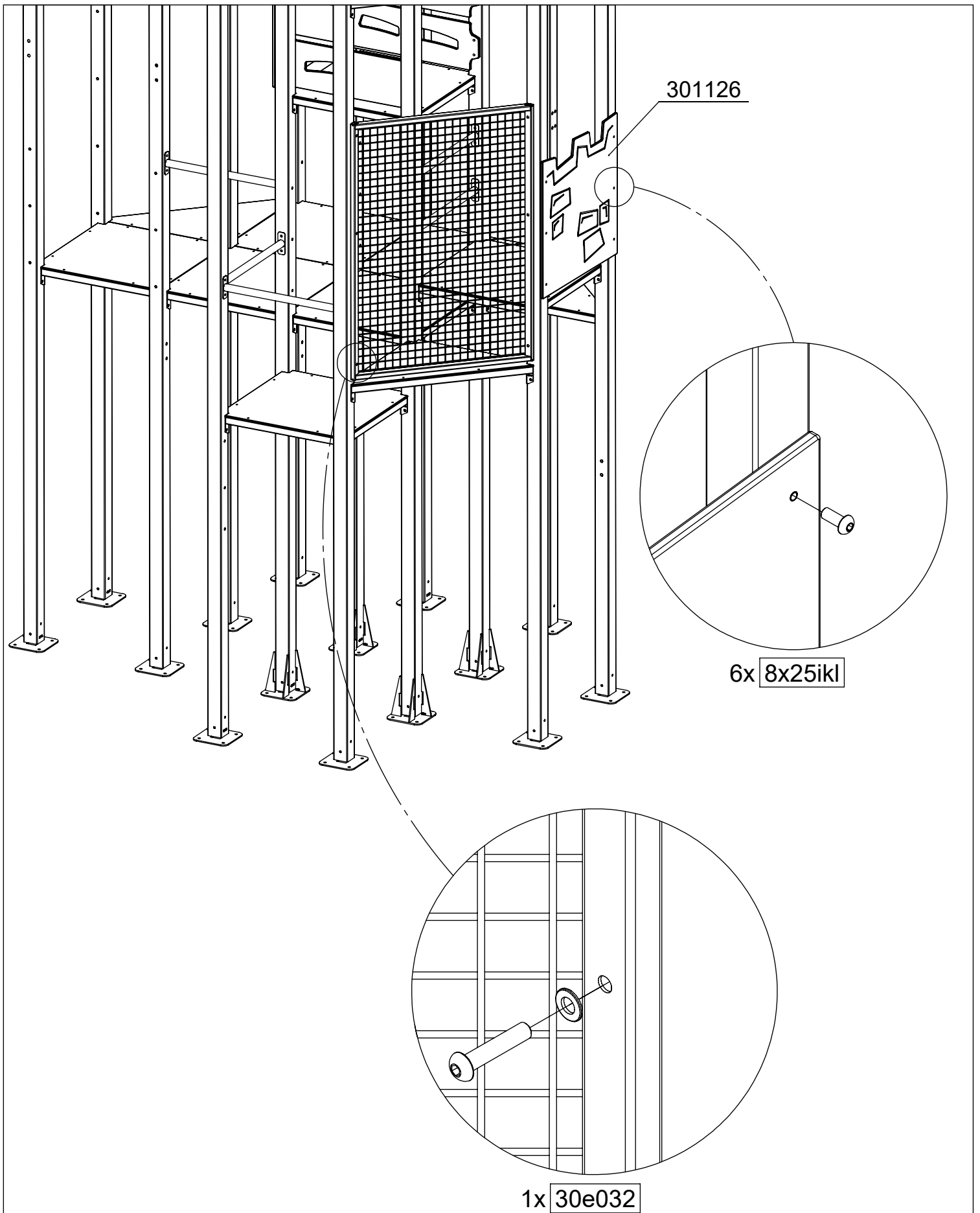




10x 10x25ikl

10x 10pp





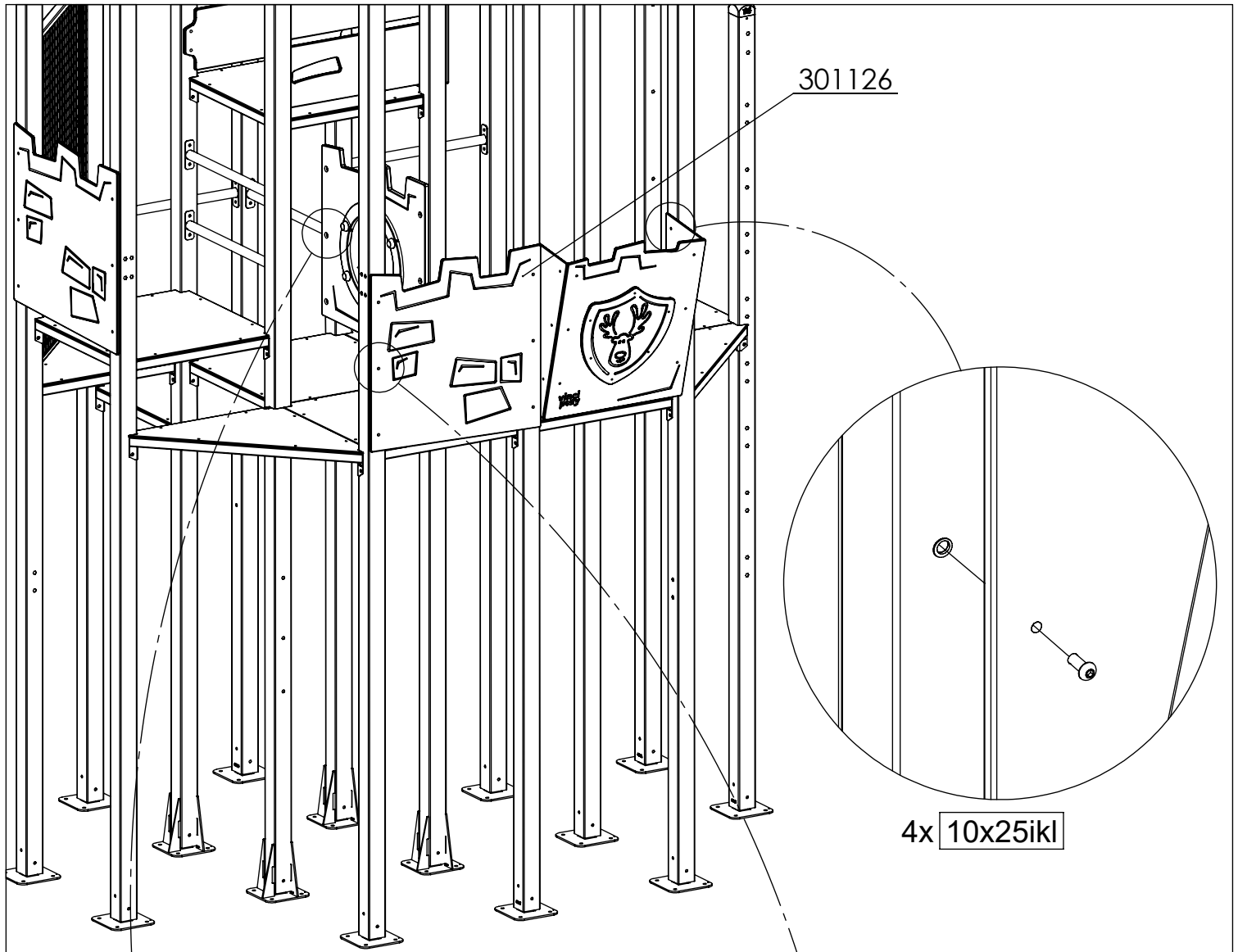
301126

6x 8x25ikl

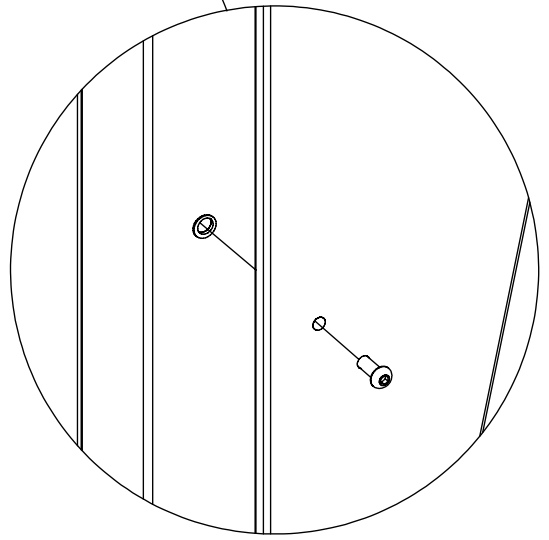
1x 30e032

[cm]

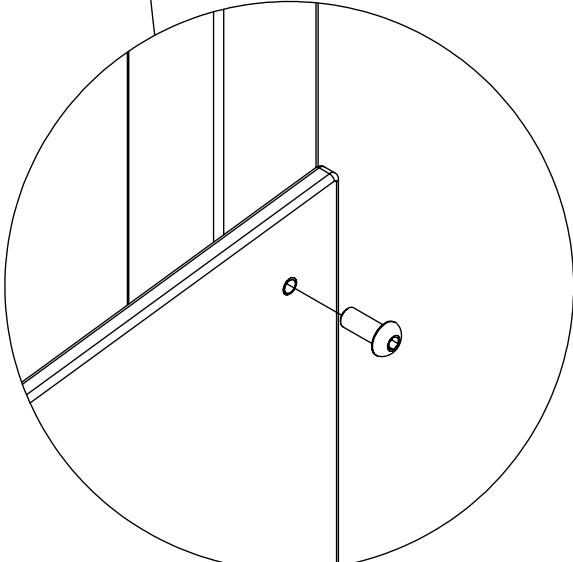
vinci
play



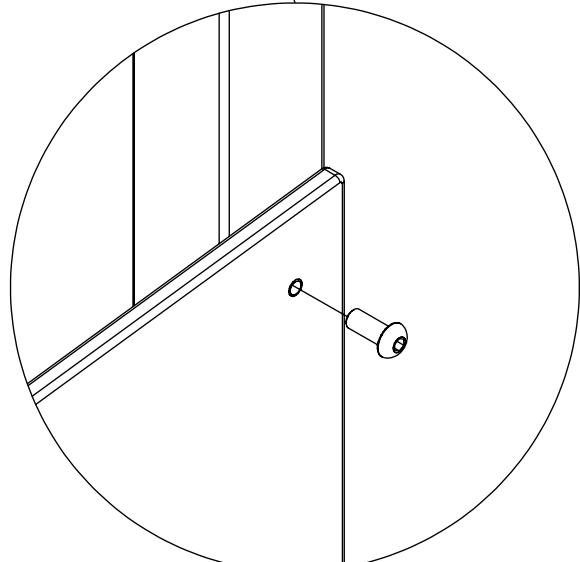
301126



4x 10x25ikl



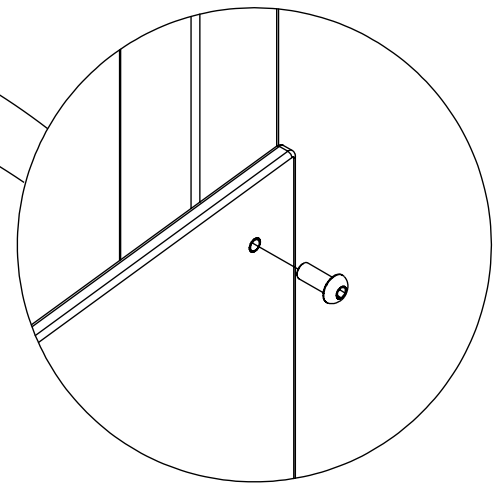
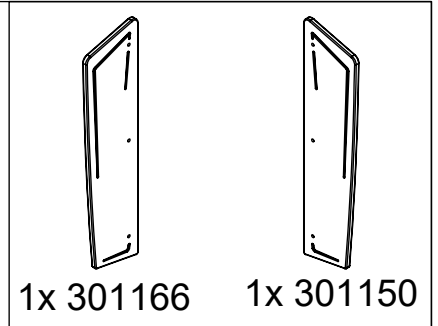
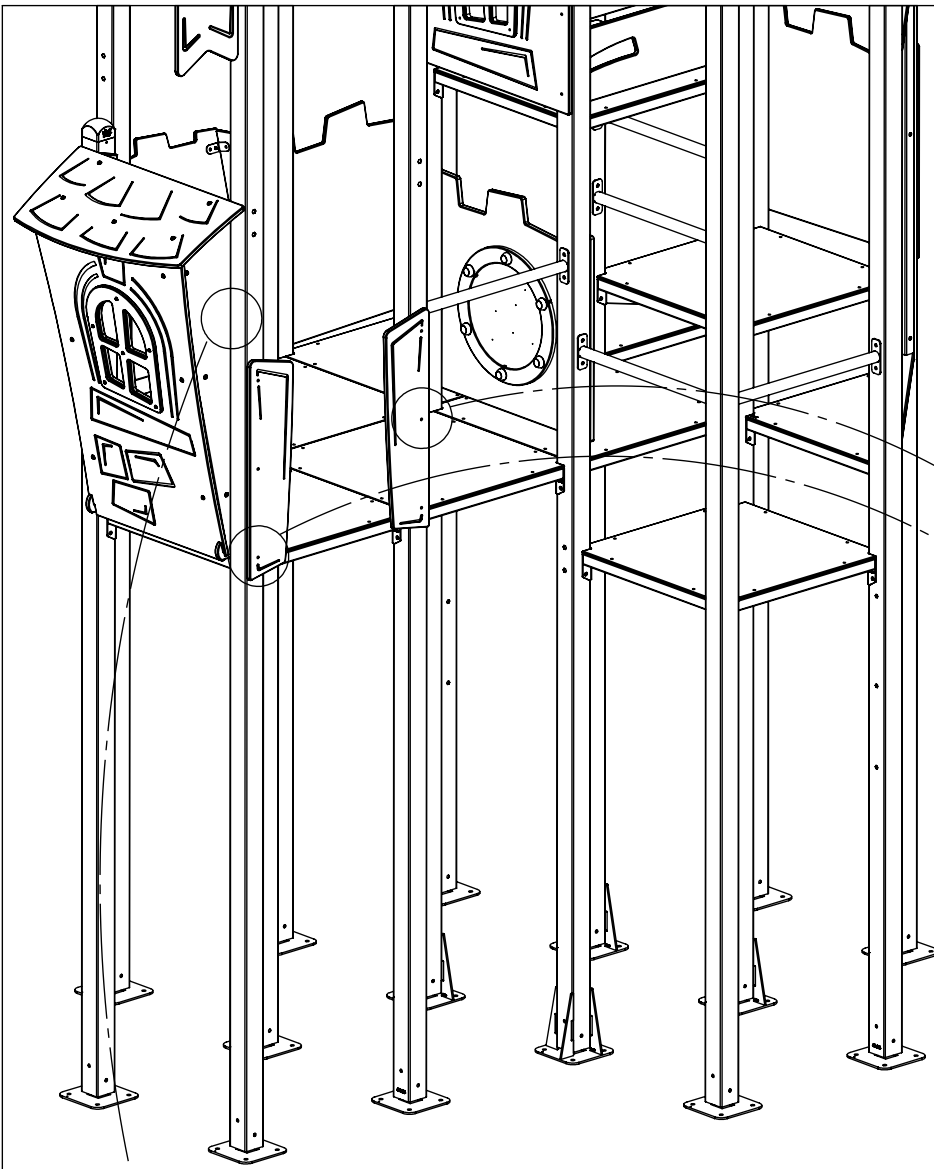
6x 8x30ikl



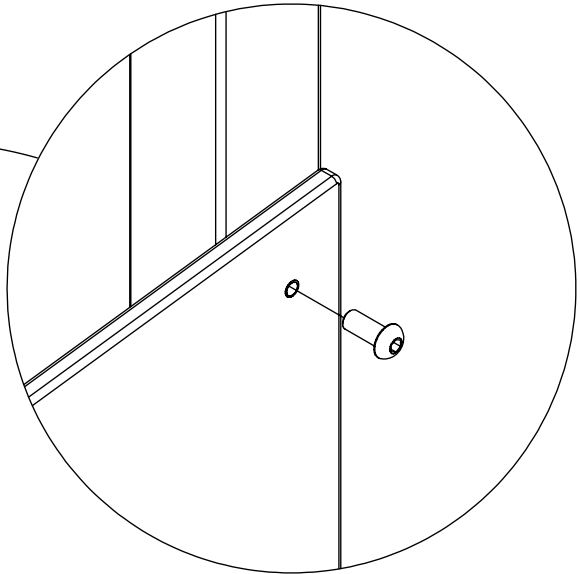
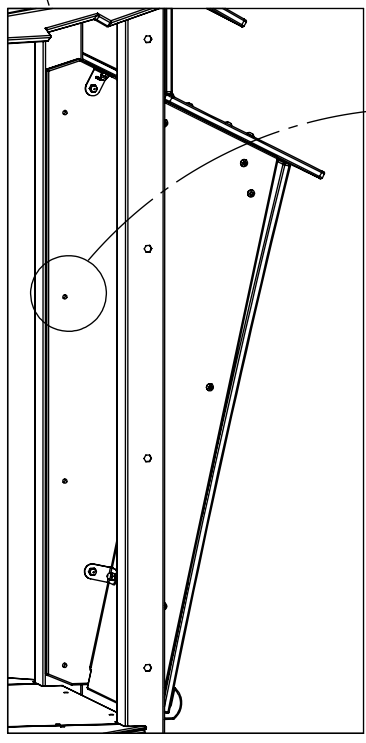
6x 8x25ikl

[cm]

vinci
play



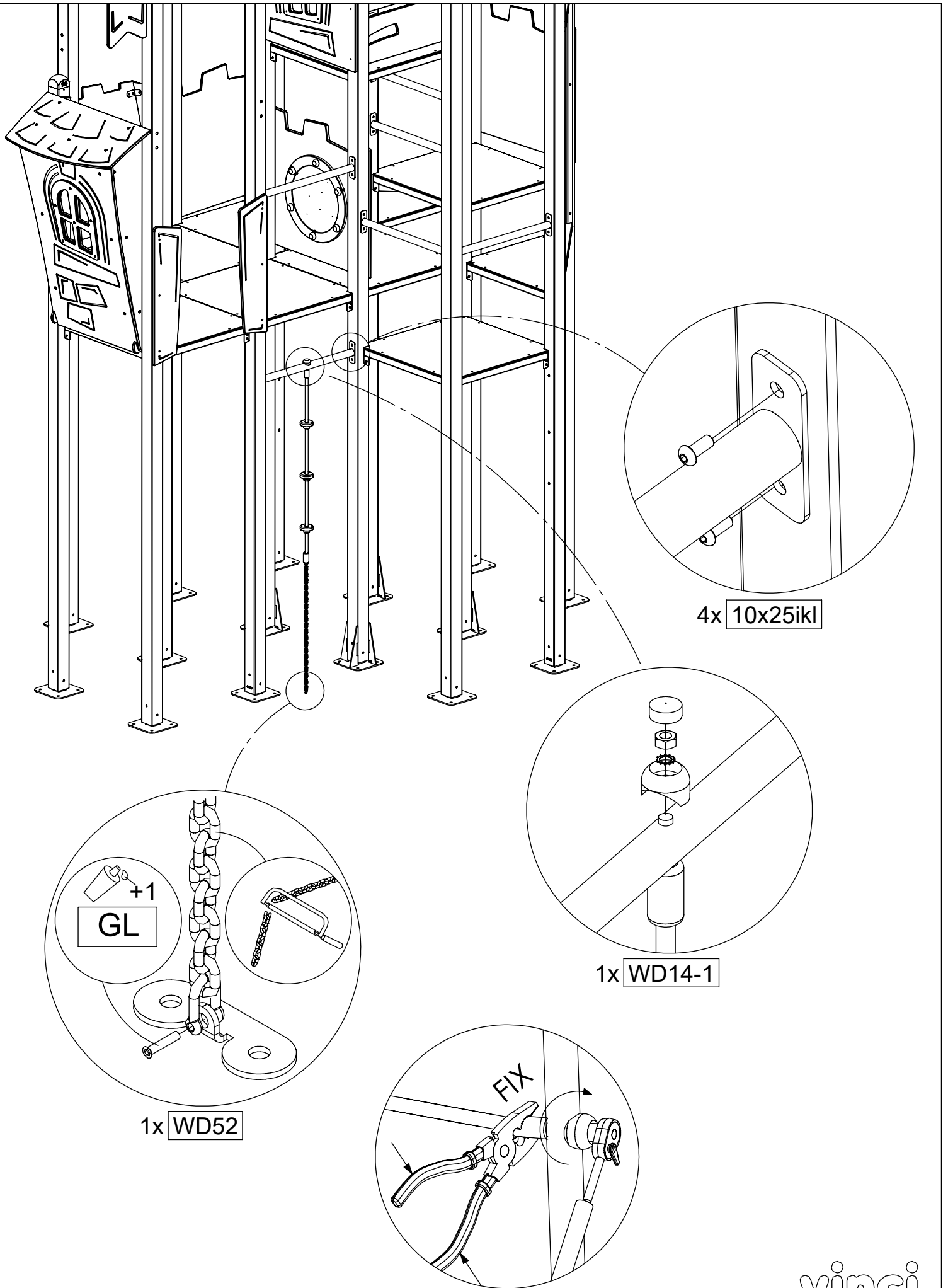
6x 8x30ikl



8x 8x30ikl

[cm]

vinci
play



4x 10x25ikl

+1
GL

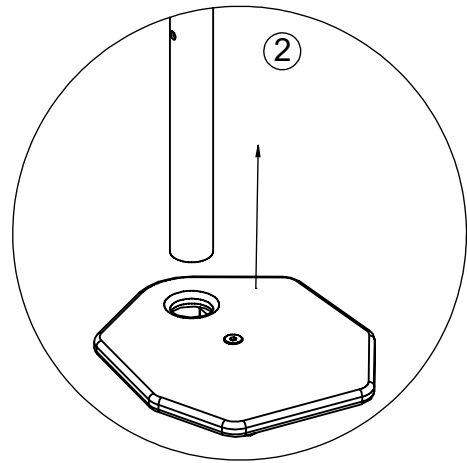
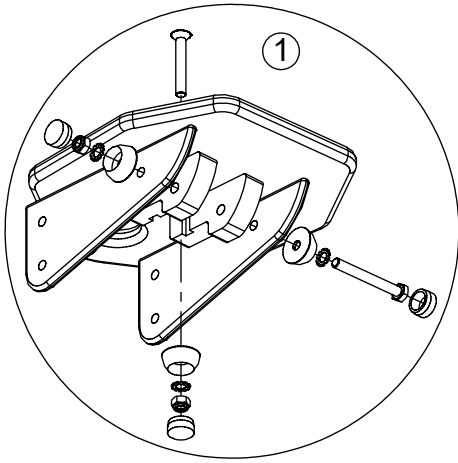
1x WD52

1x WD14-1

FIX

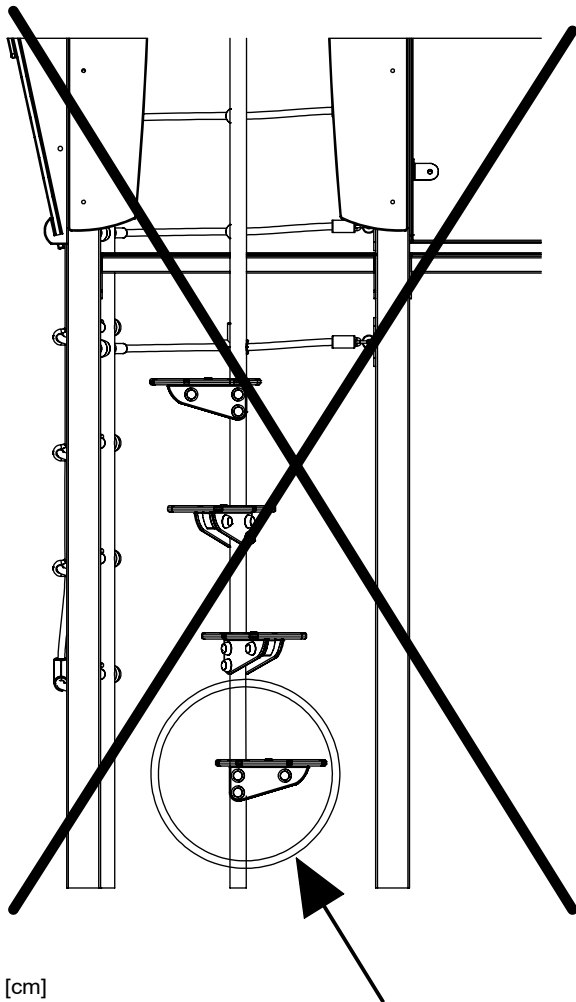
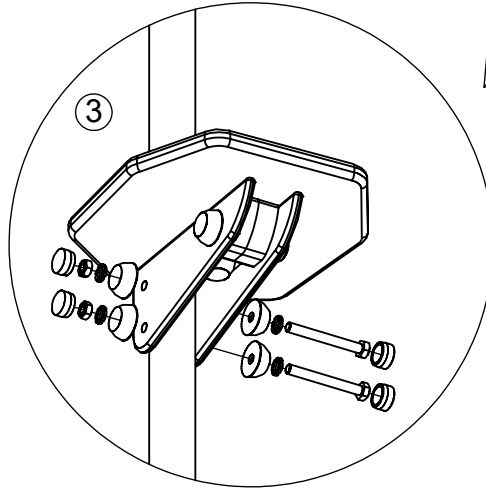
[cm]

vinci
play

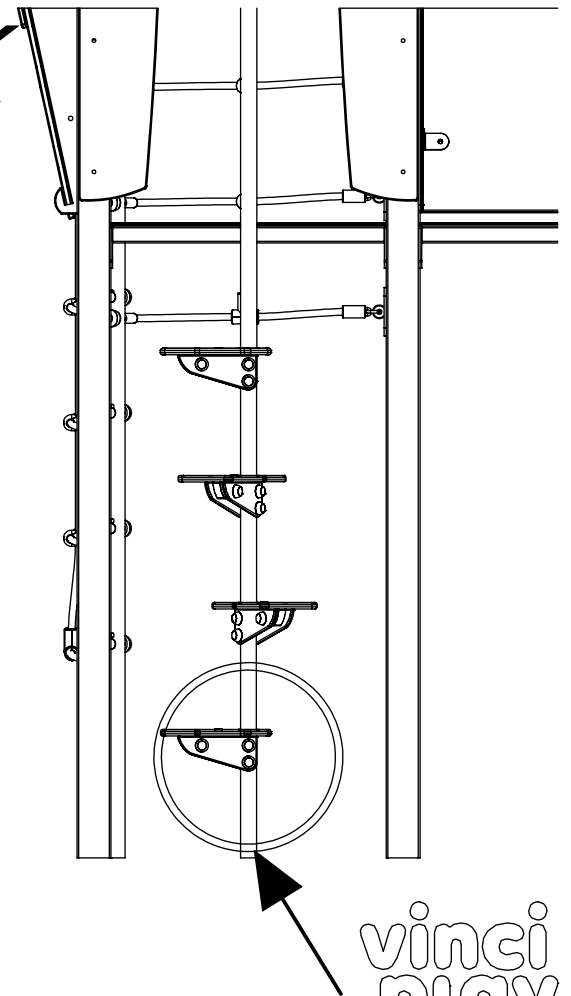
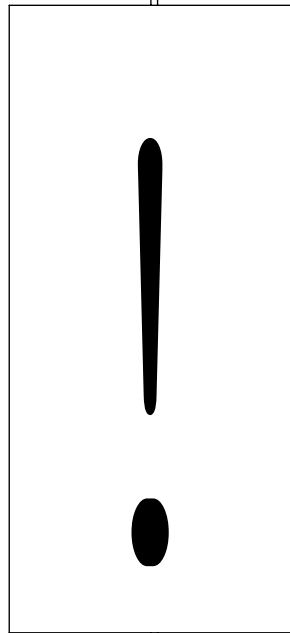


4x **WD67**

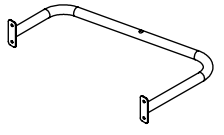
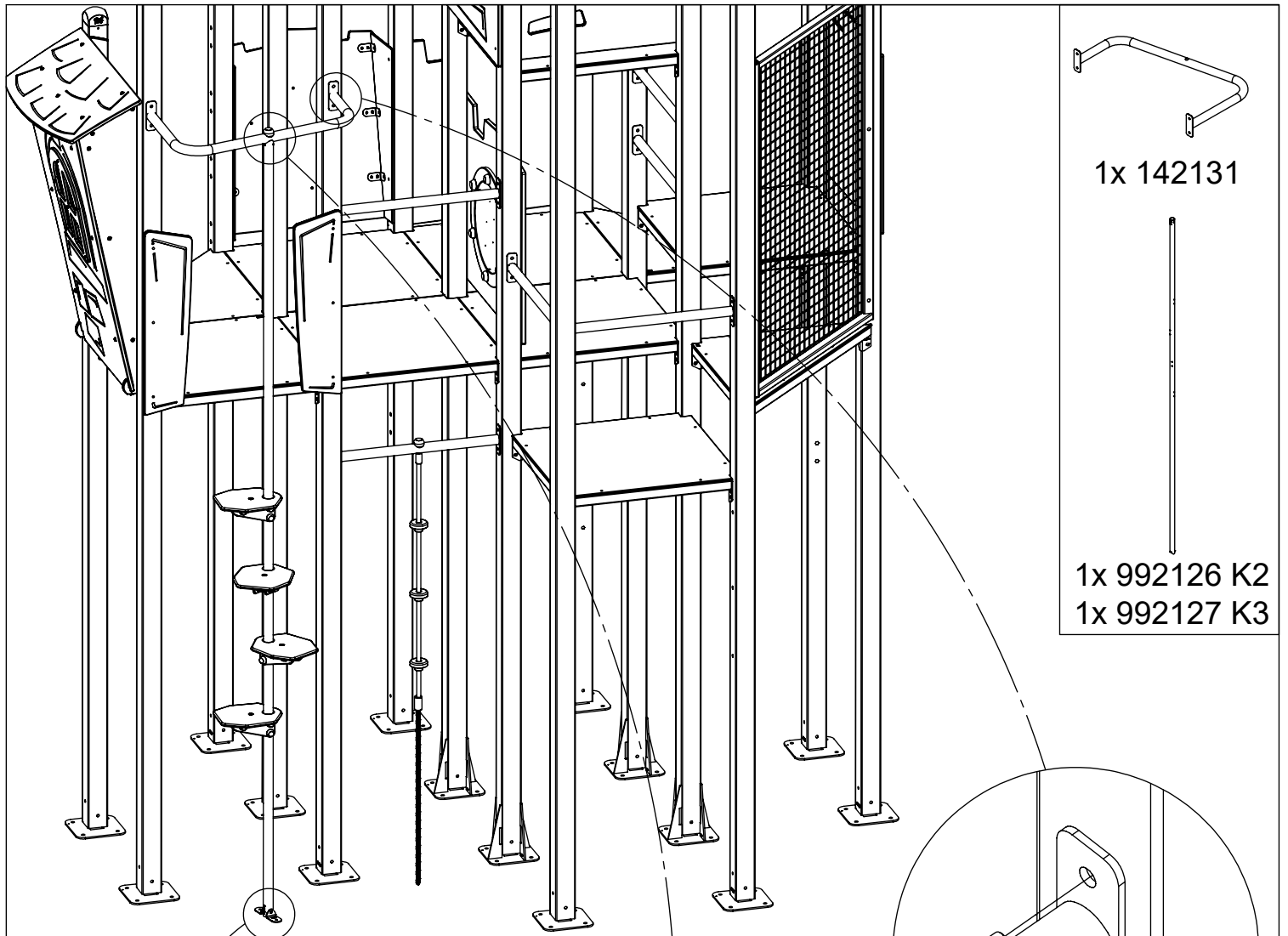
4x **WD68**



OK



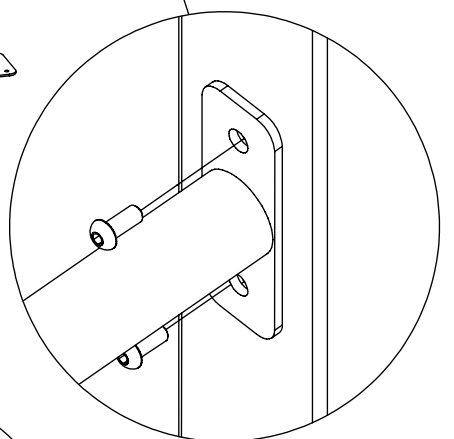
vinci
play



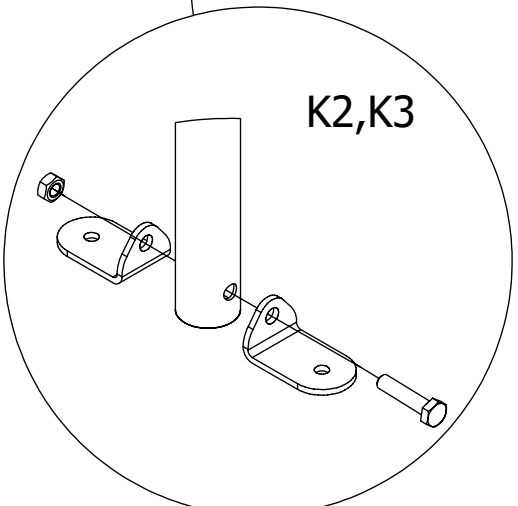
1x 142131



1x 992126 K2
1x 992127 K3

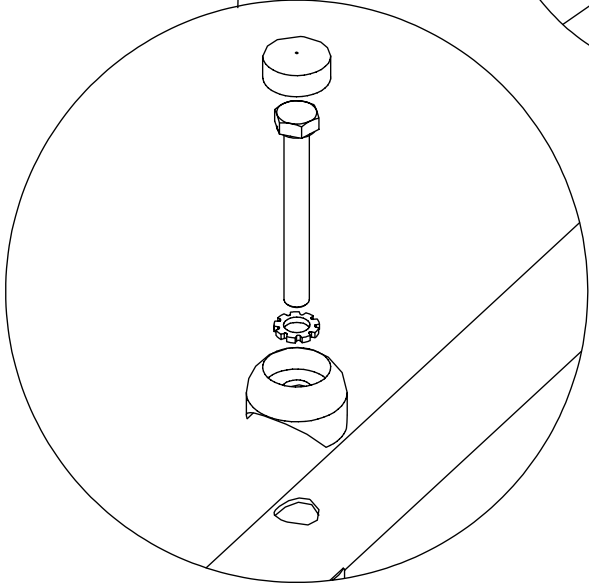


4x 10x25ikl

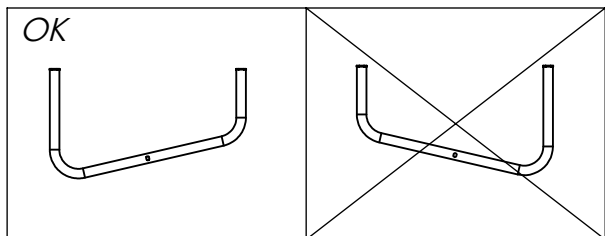


K2,K3

1x E38



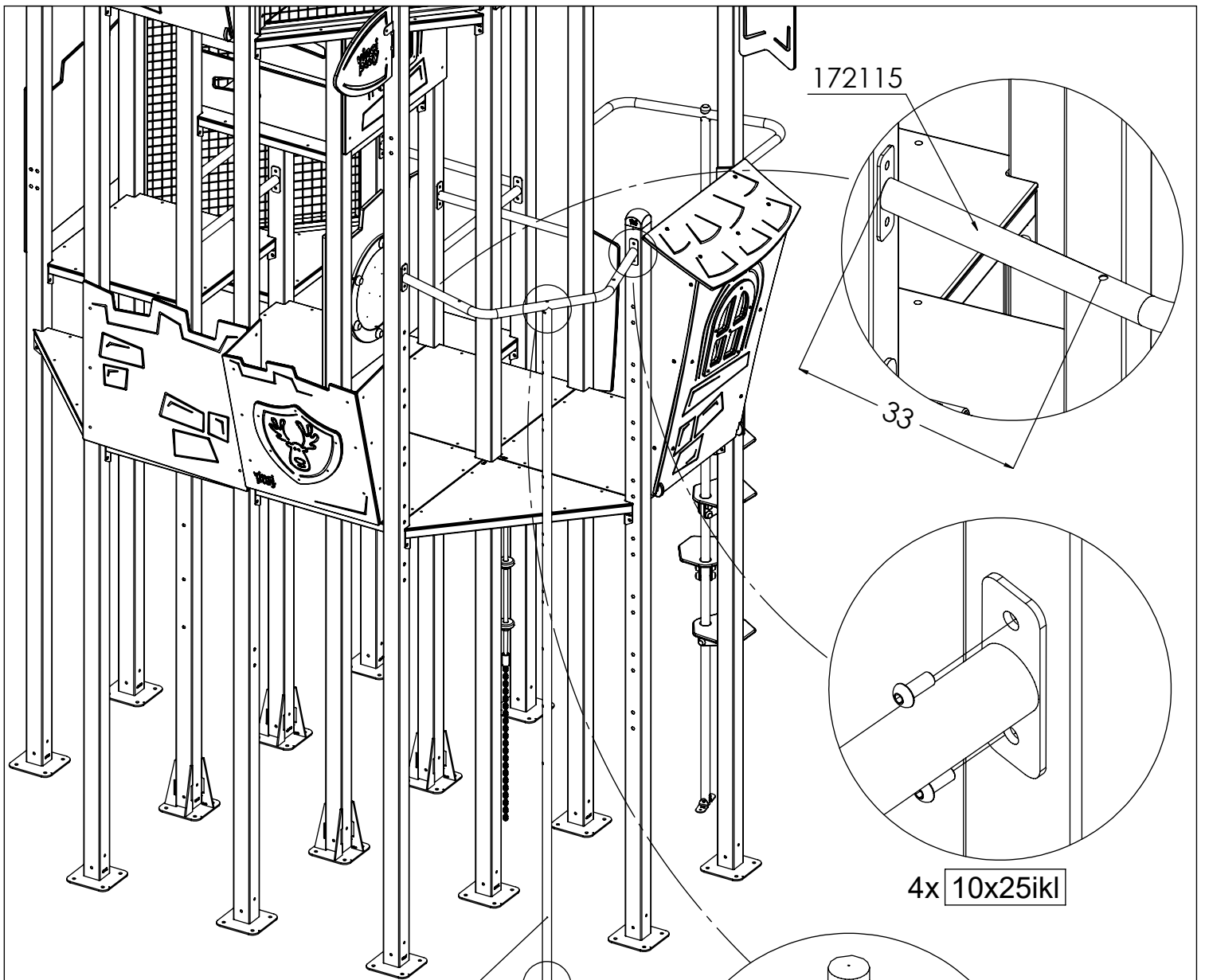
1x E39



OK

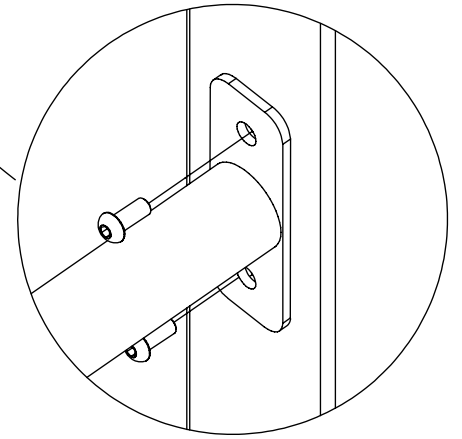
[cm]

vinci
play



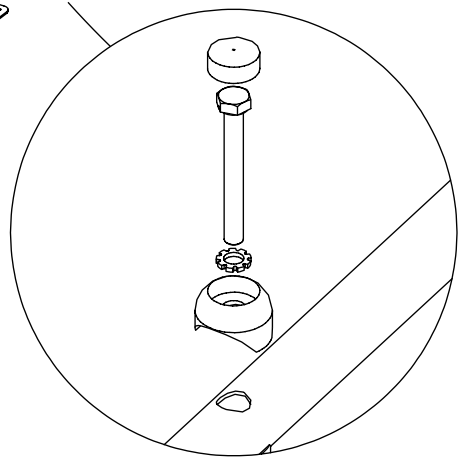
172115

33

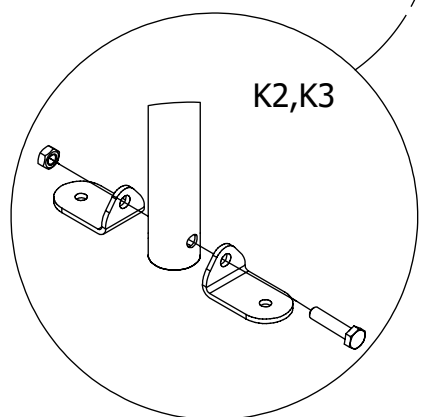


4x 10x25ikl

992311 K2
992355 K3

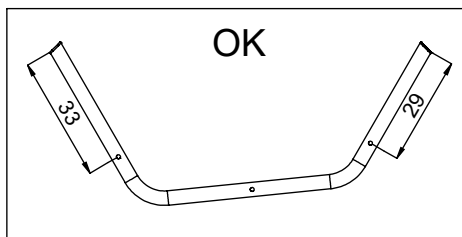


1x E39

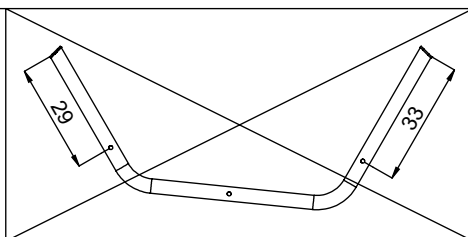


K2, K3

1x E38

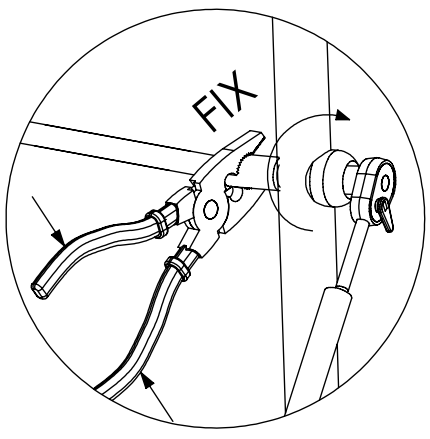
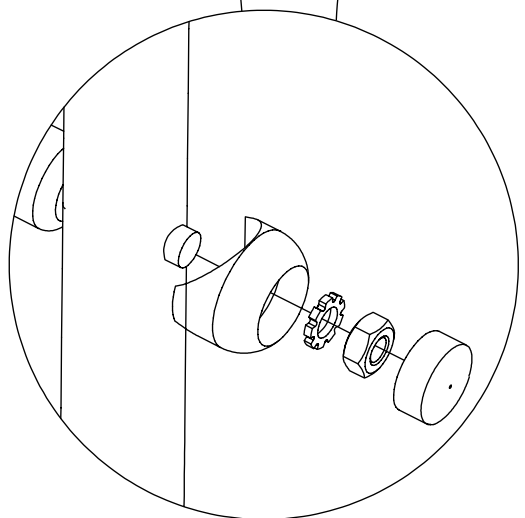
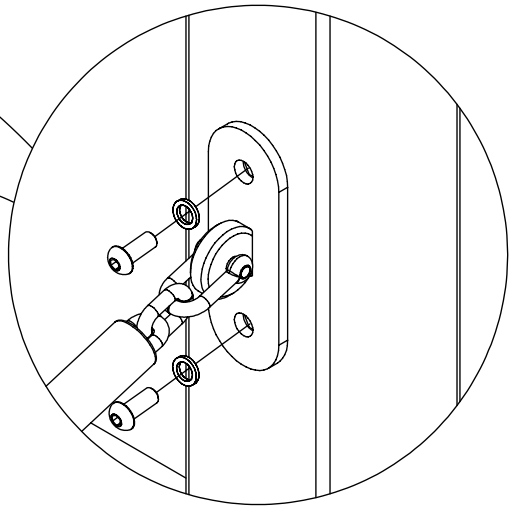
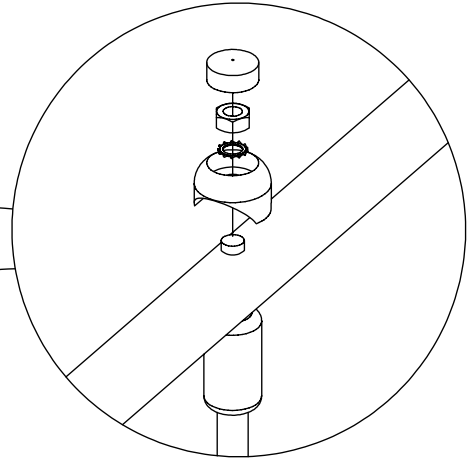
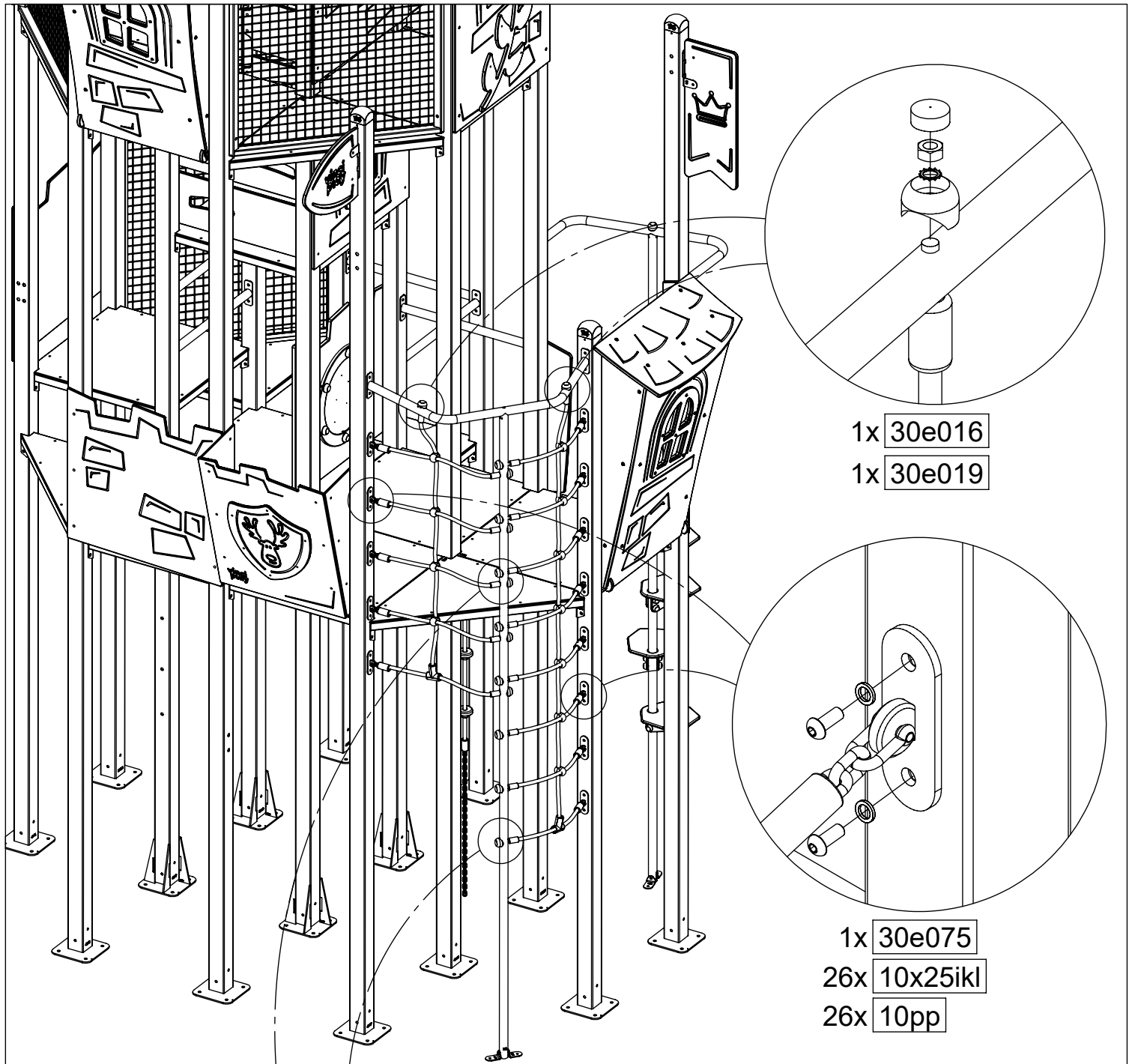


OK

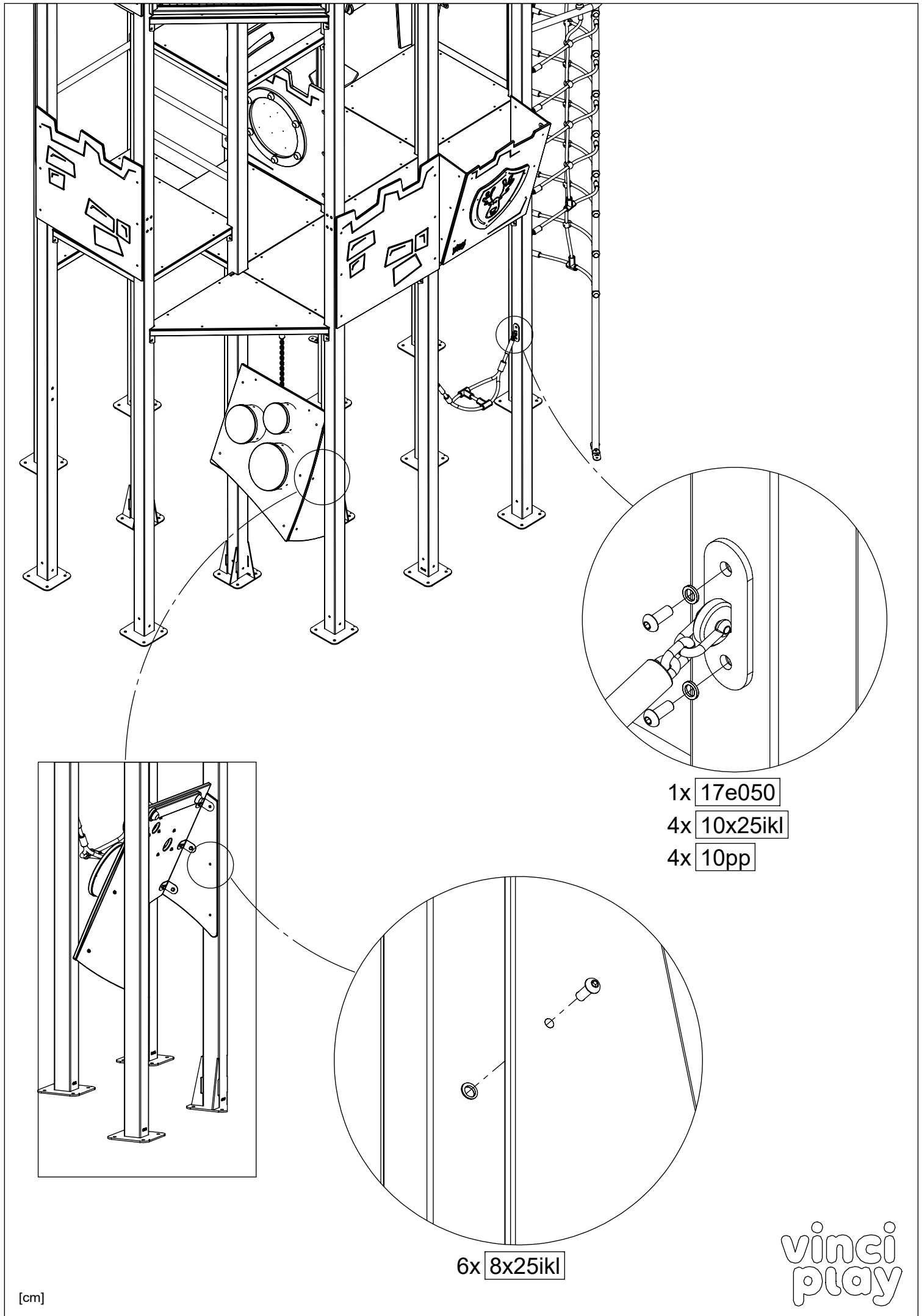


[cm]

vinci
play



30e016
30e019



1x 17e050

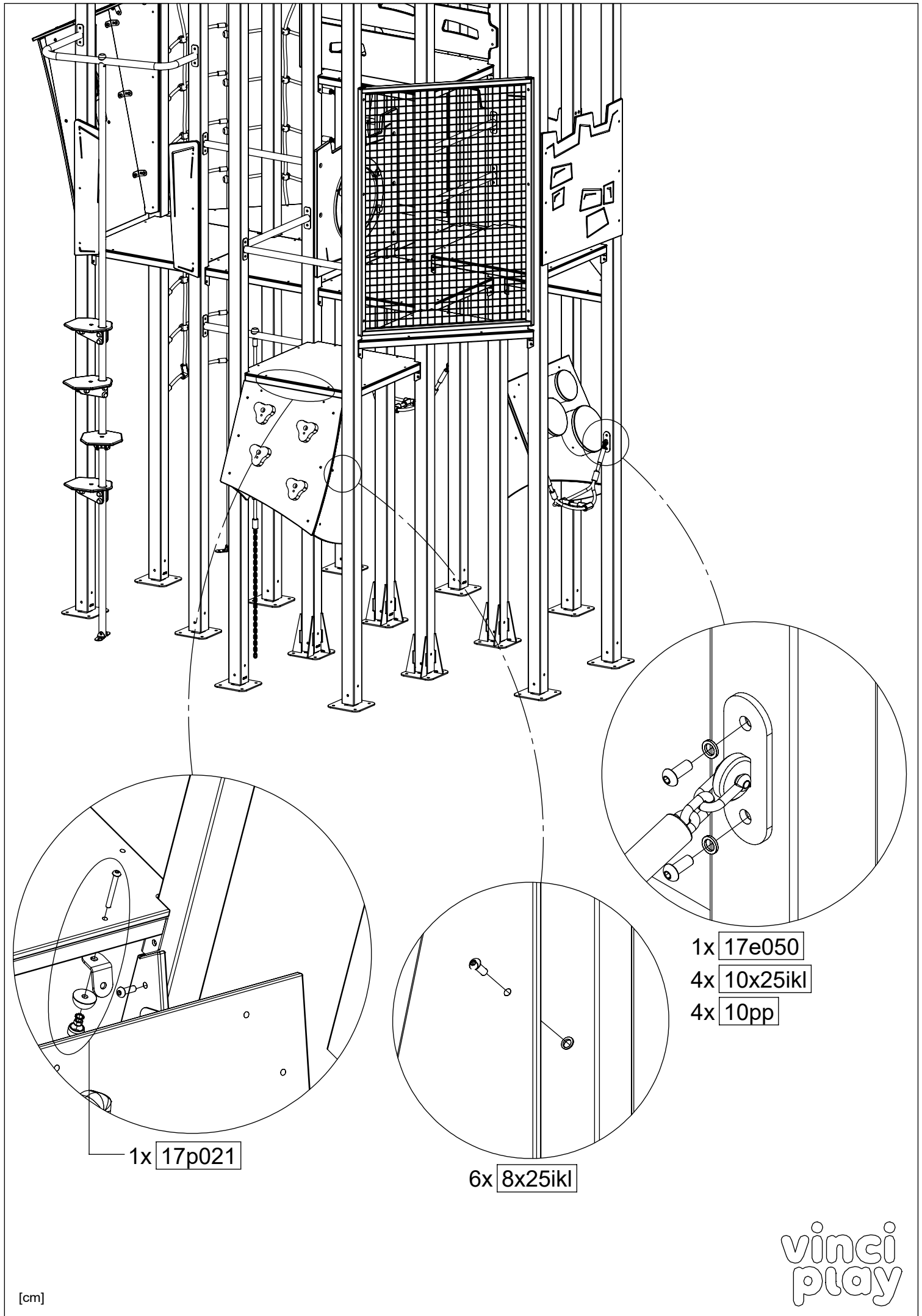
4x 10x25ikl

4x 10pp

6x 8x25ikl

[cm]

vinci
play



1x 17p021

6x 8x25ikl

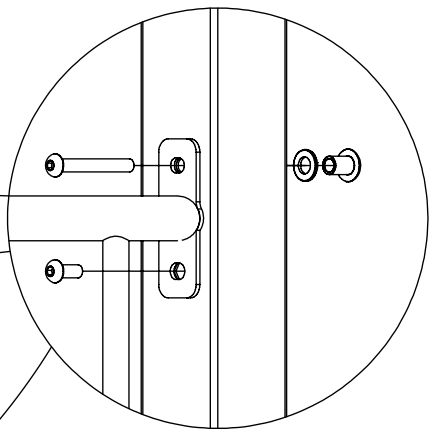
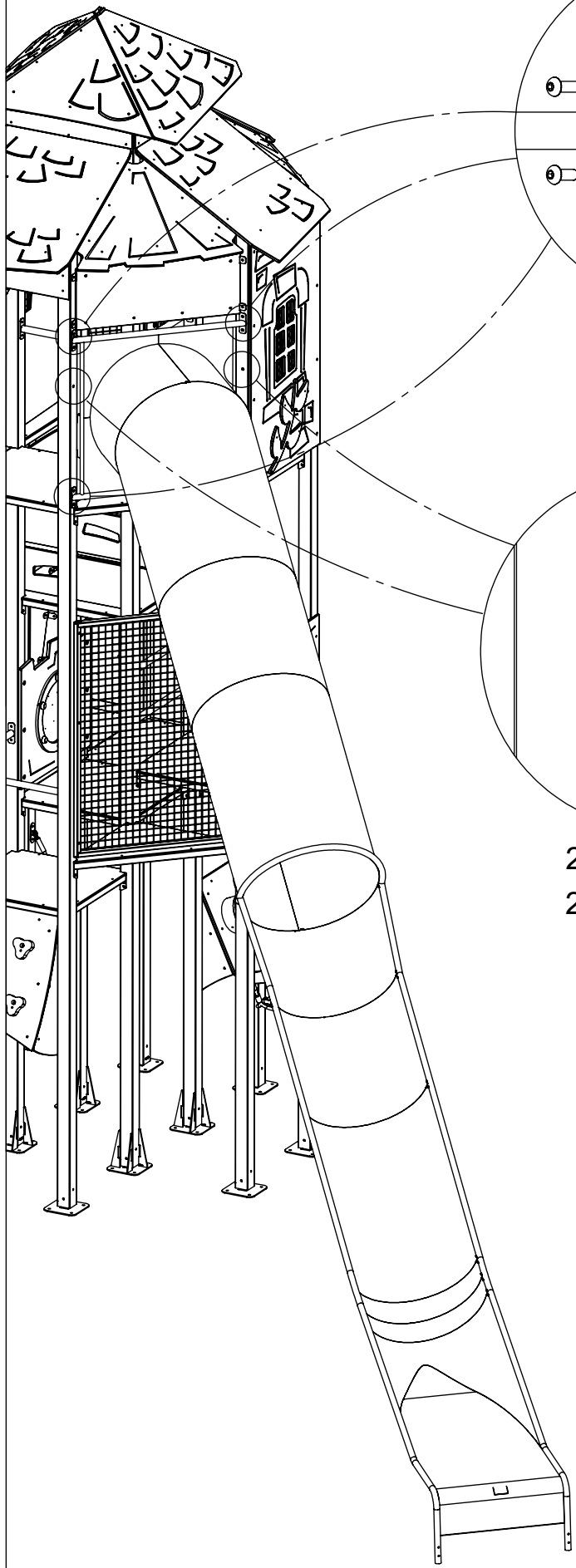
1x 17e050

4x 10x25ikl

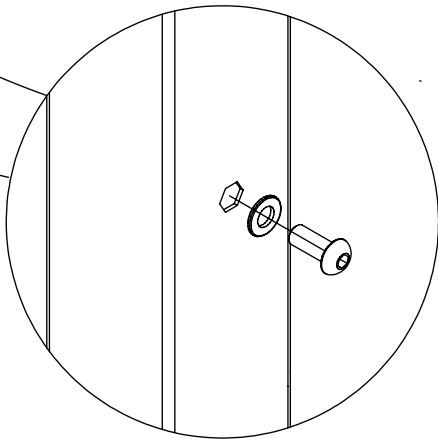
4x 10pp

[cm]

vinci
play

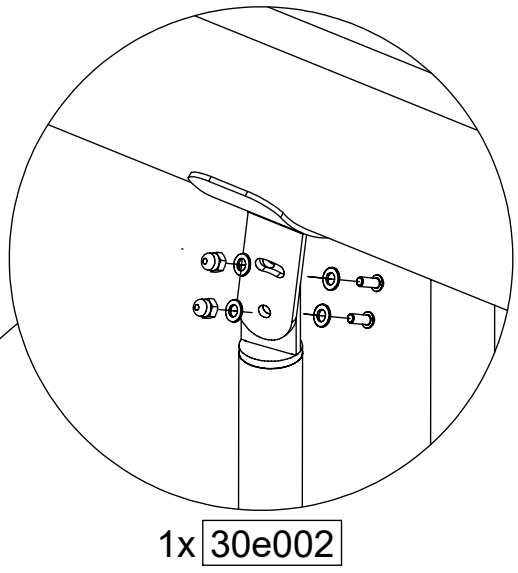
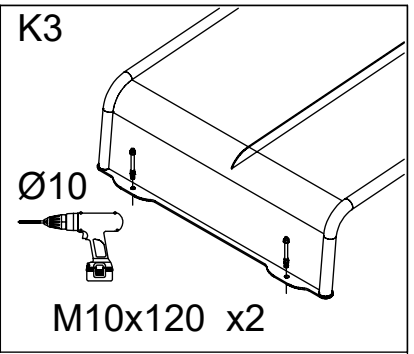
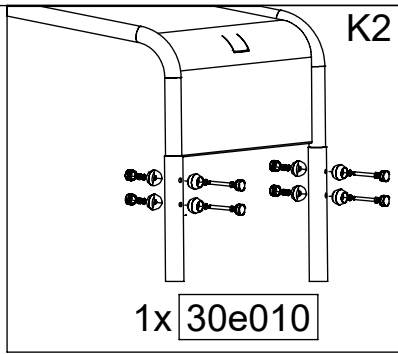
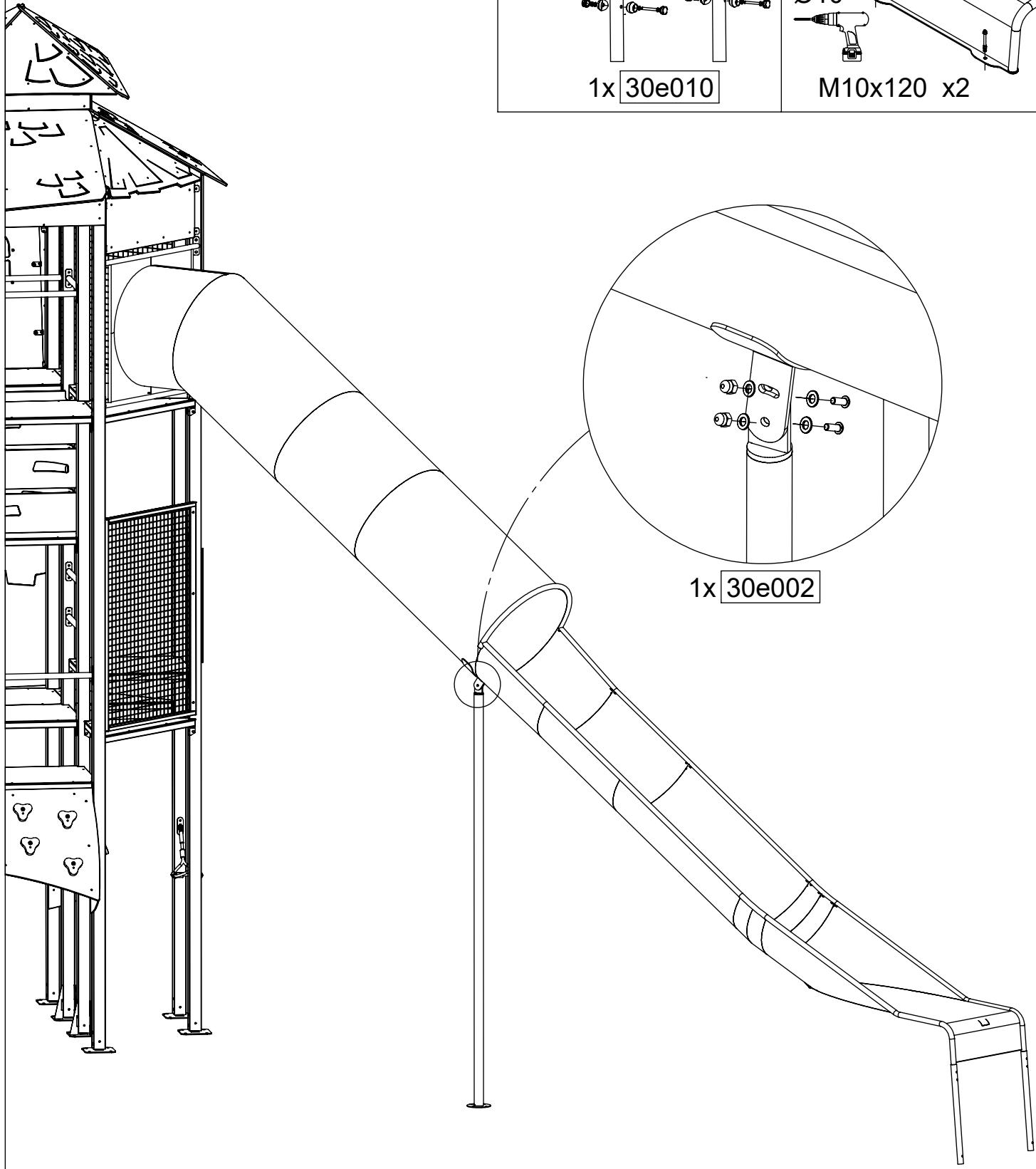


1x 17e007
4x 10x25ikl



2x 10x25ikl
2x 10pp

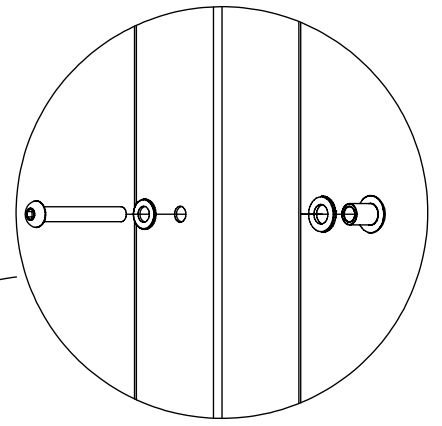
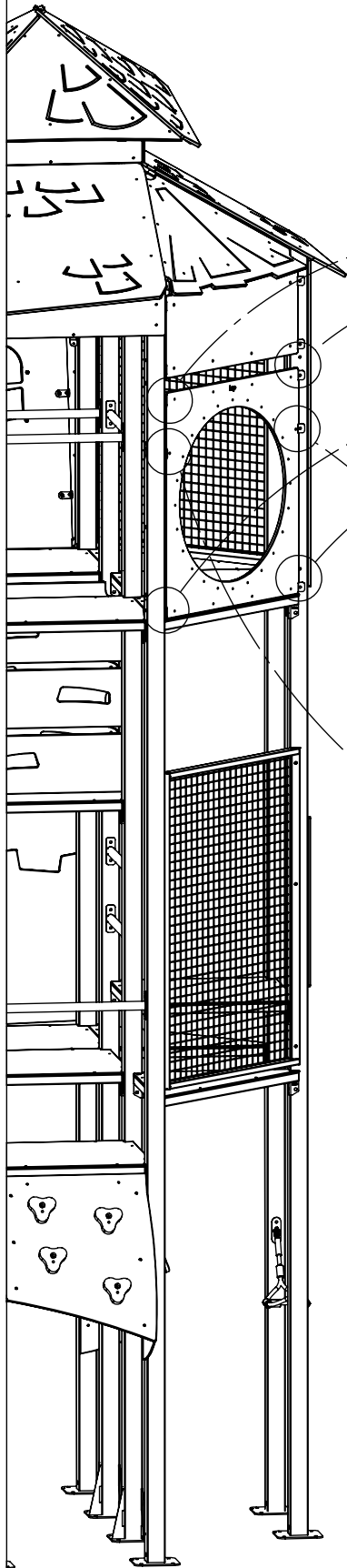
[cm]



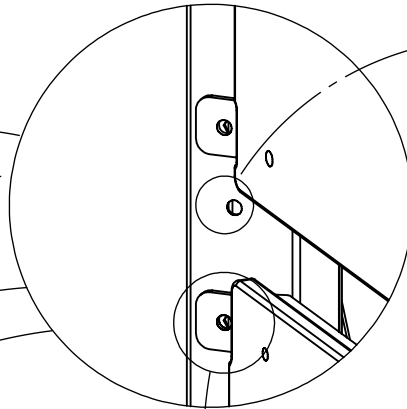
[cm]

vinci
play

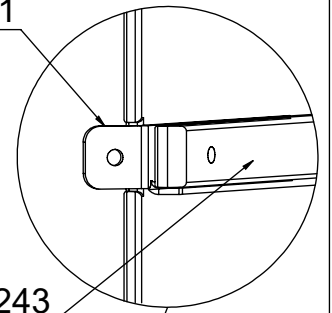
3045-1.02S2



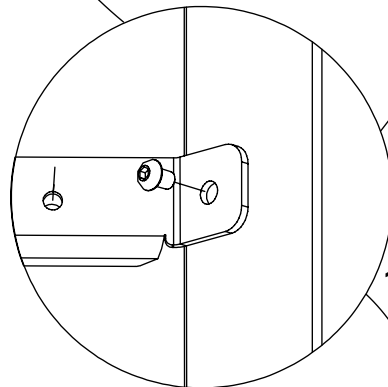
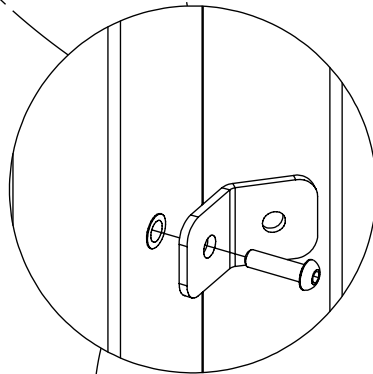
1x 30e005



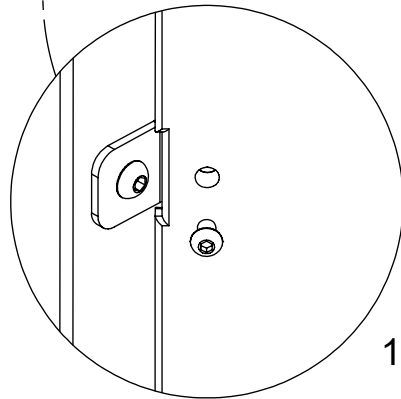
i391



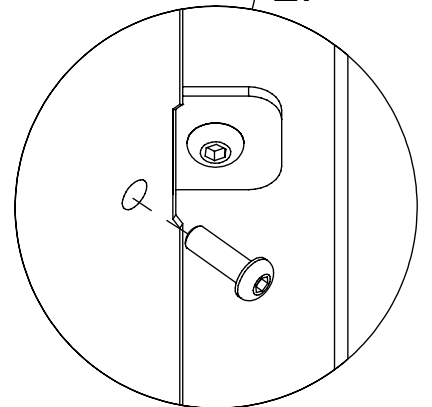
301243



1.



2.

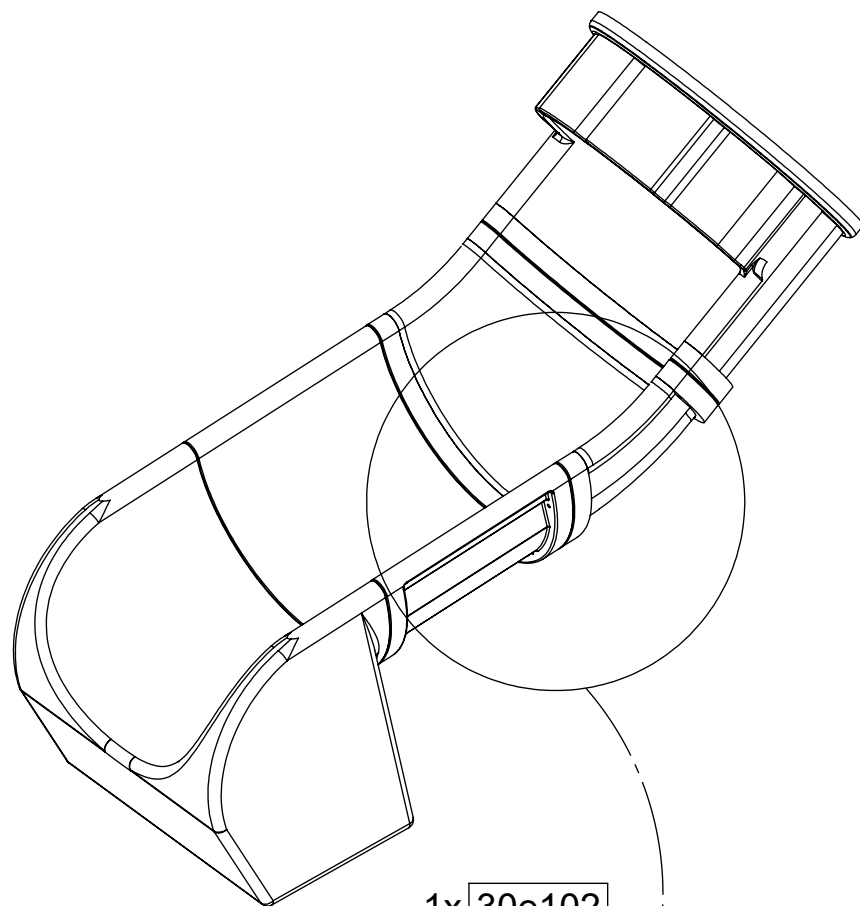


1x 30c162

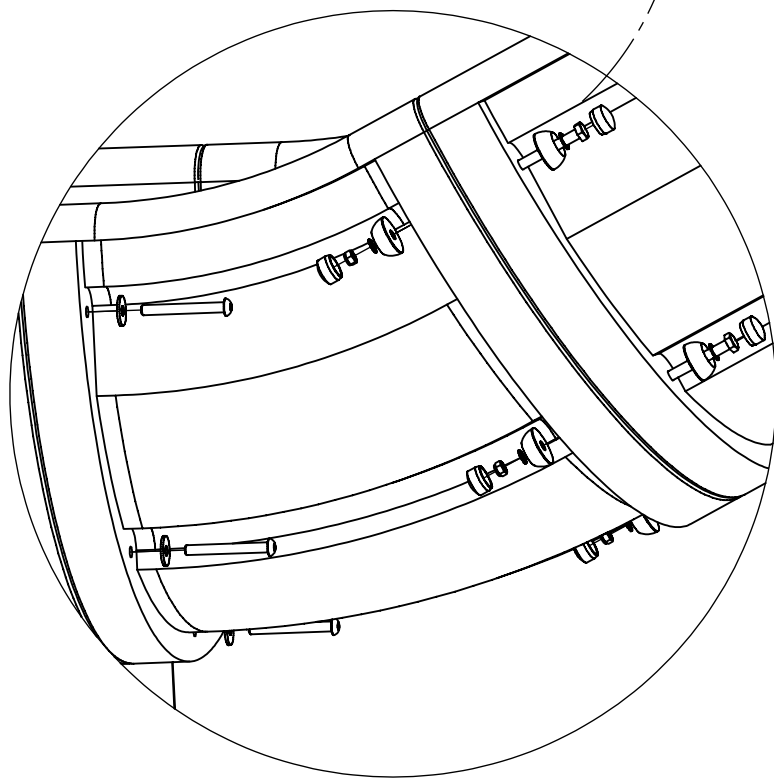
[cm]

vinci
play

3045-1.02S2



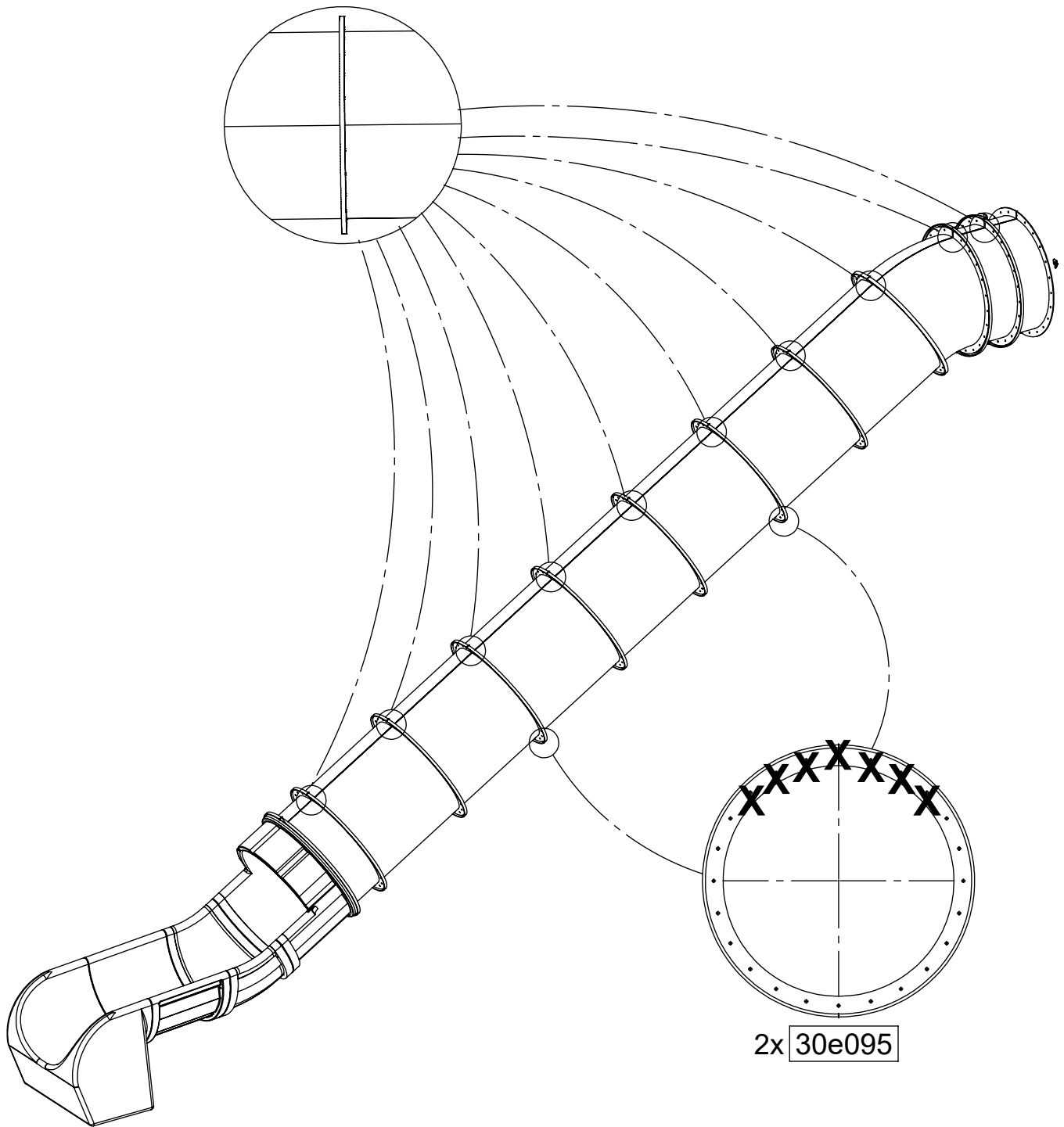
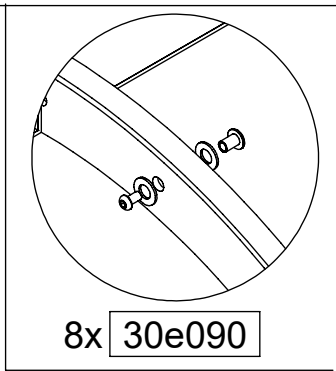
1x 30e102



[cm]

vinci
play

3045-1.02S2

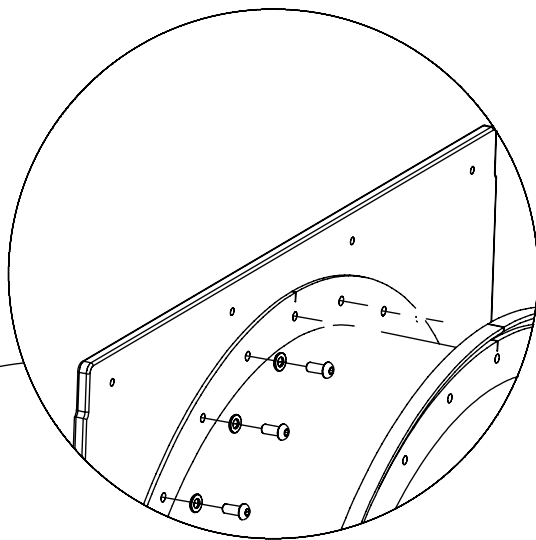
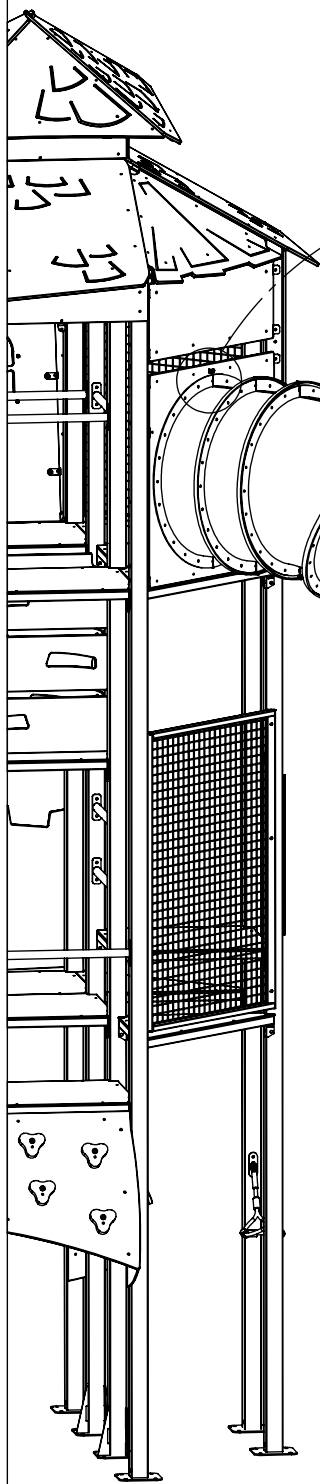


2x 30e095

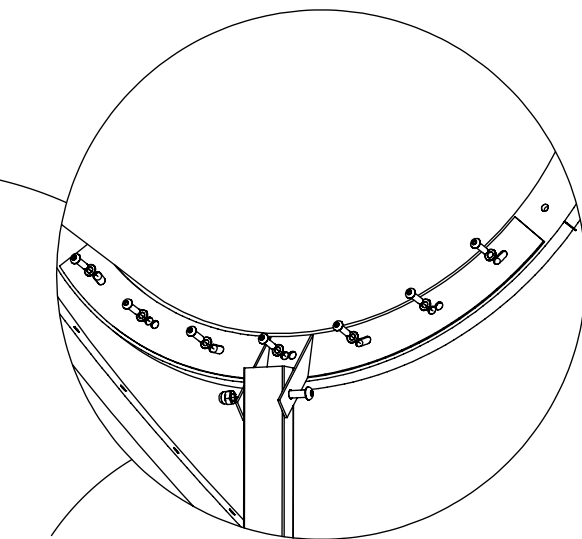
[cm]

vinci
play

3045-1.02S2

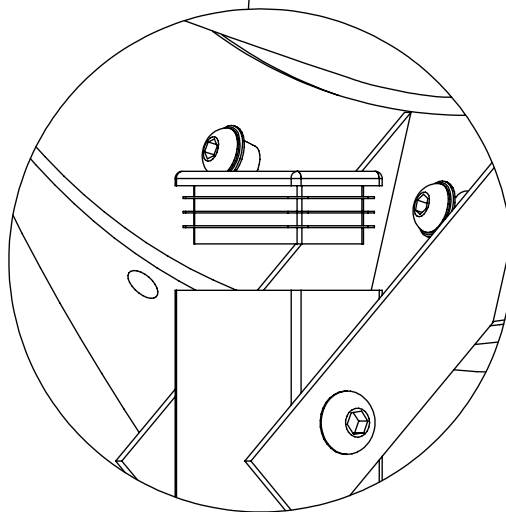


1x 30c156



1x 30e093

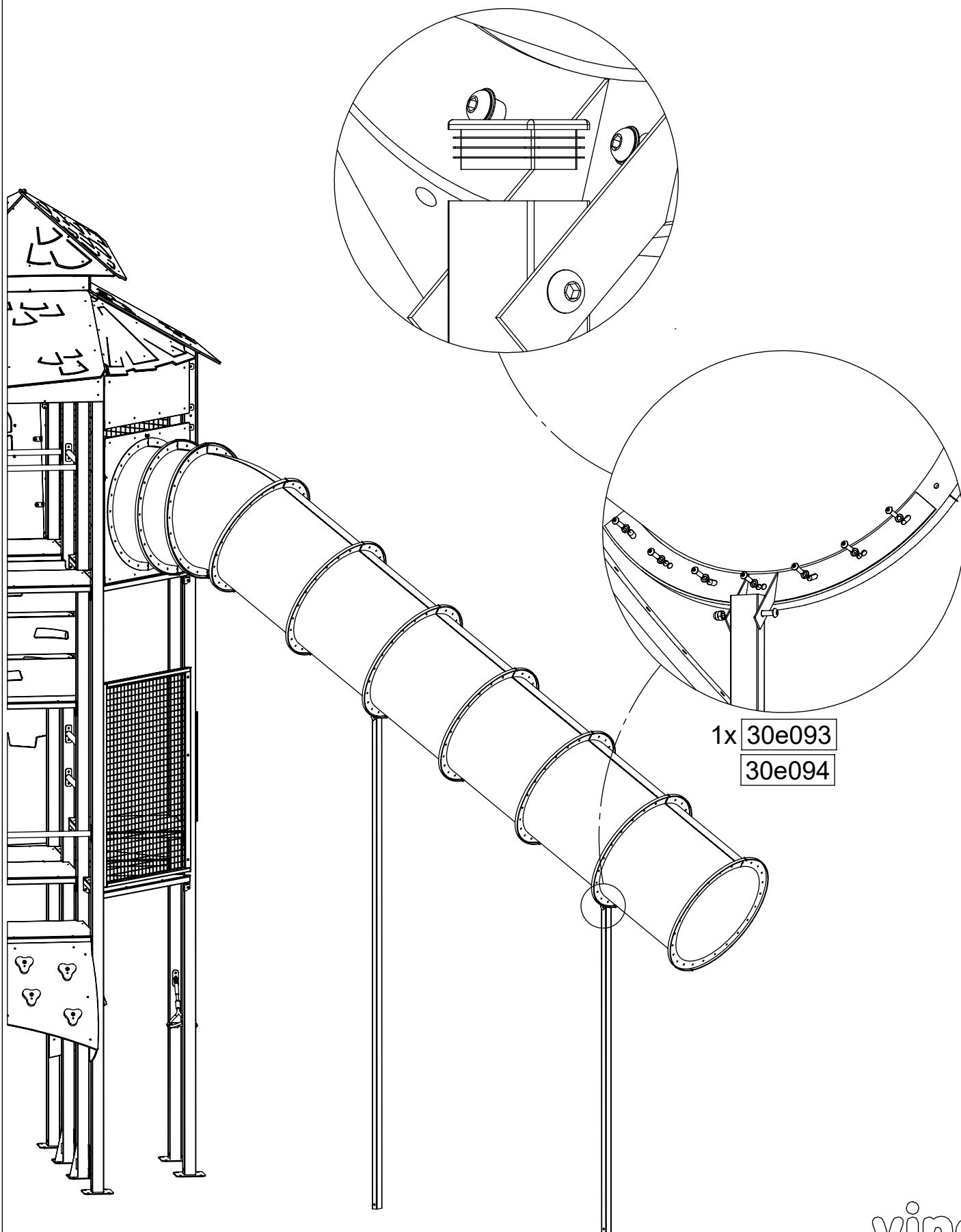
1x 30e094



[cm]

vinci
play

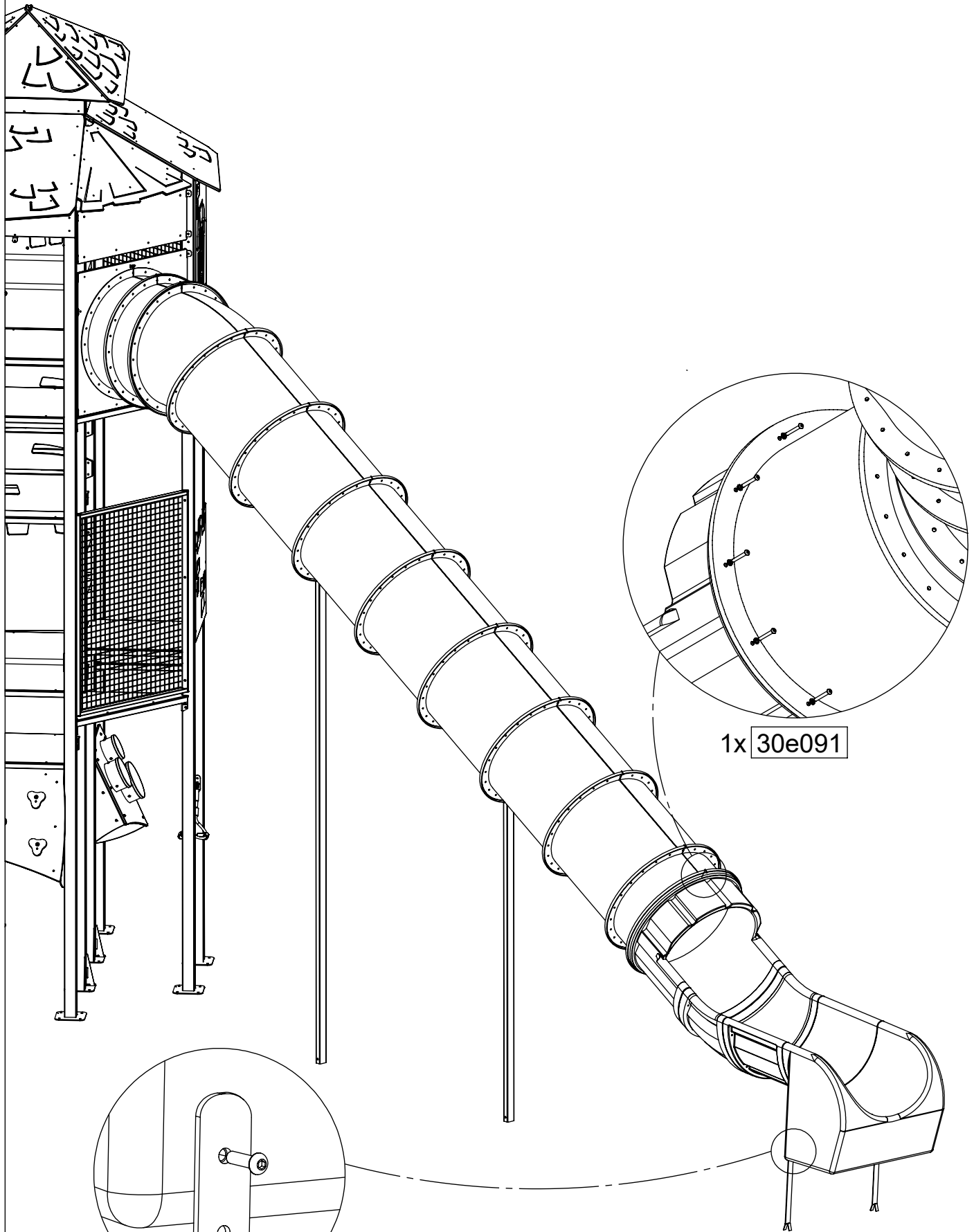
3045-1.02S2



[cm]

vinci
play

3045-1.02S2



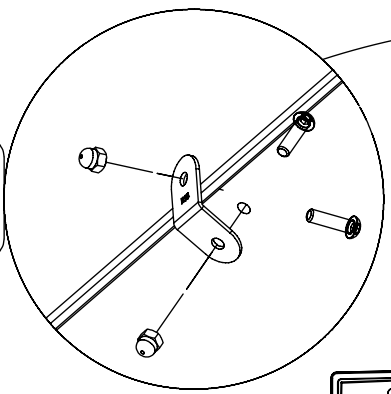
1x 30e091

30e094

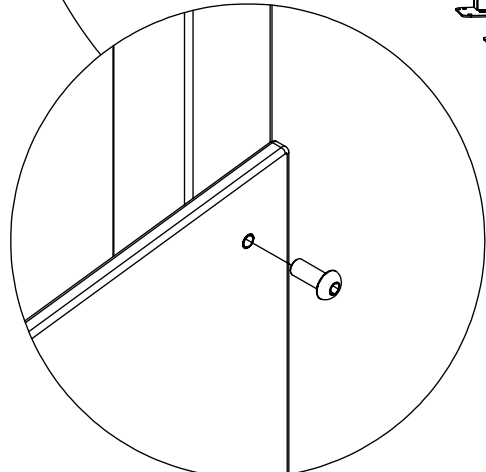
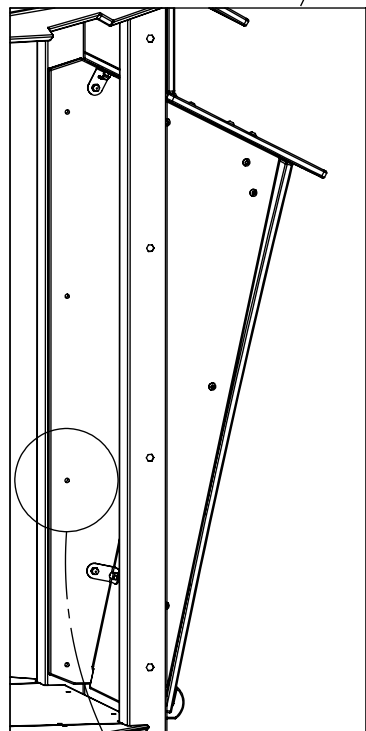
[cm]

vinci
play

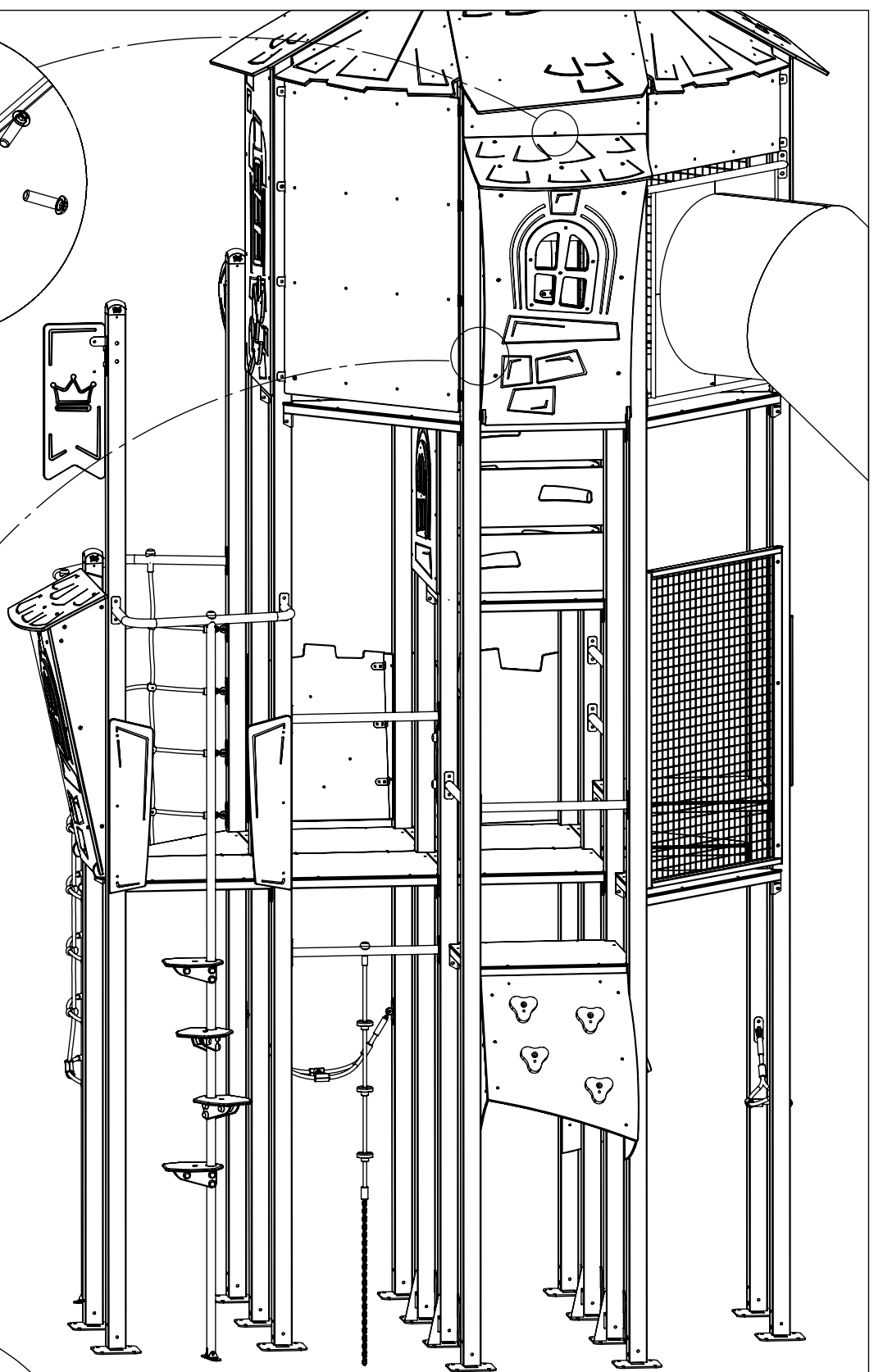
Ø8,5



1x 30c124



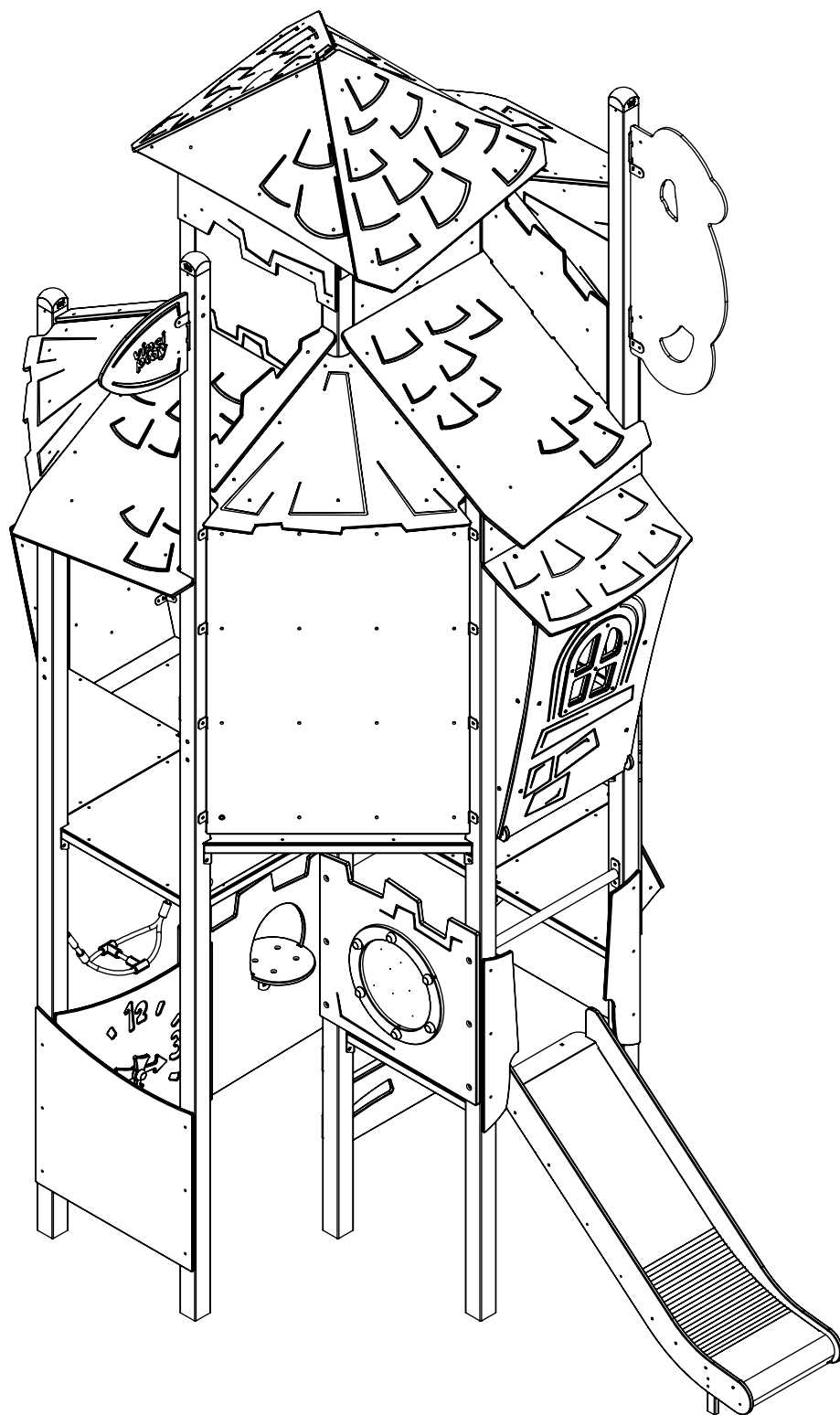
8x 8x30ikl



[cm]

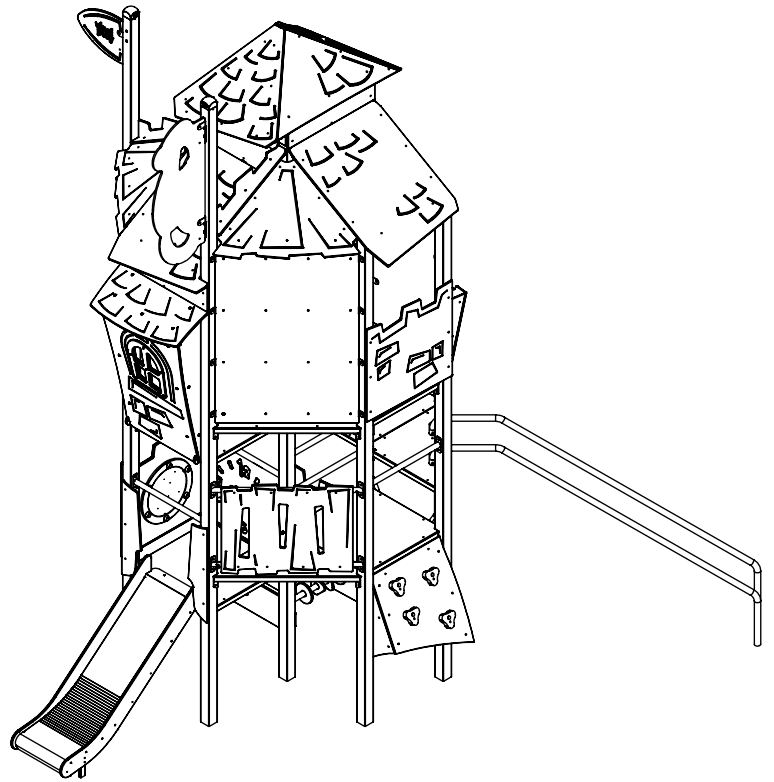
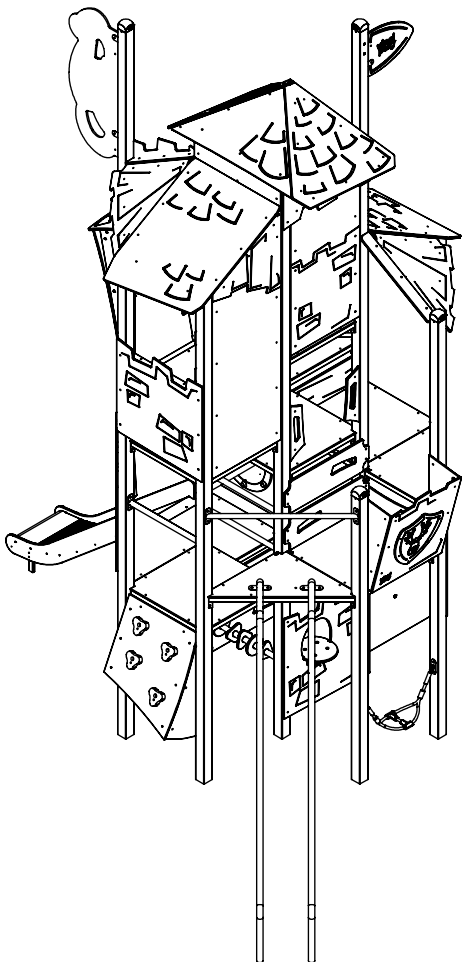
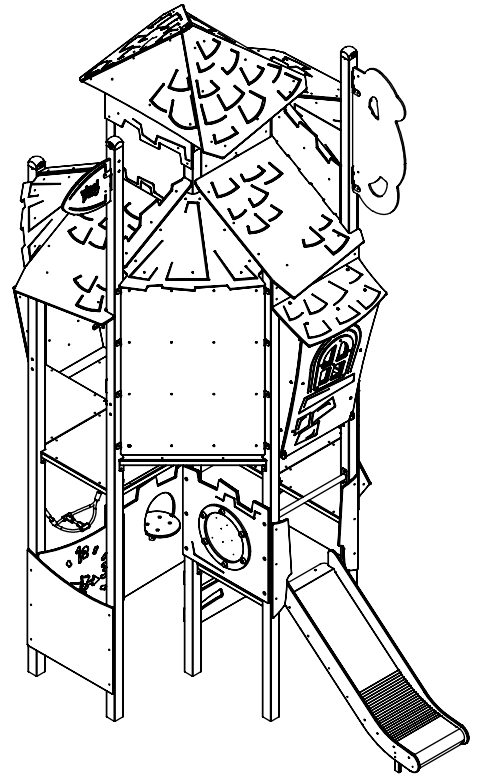
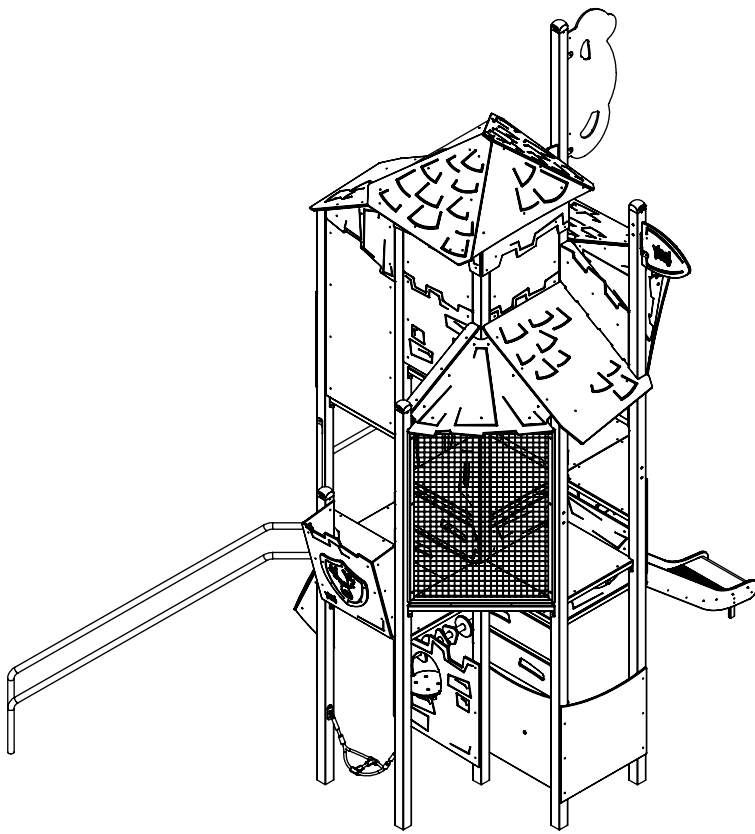
vinci play

3045-1.03



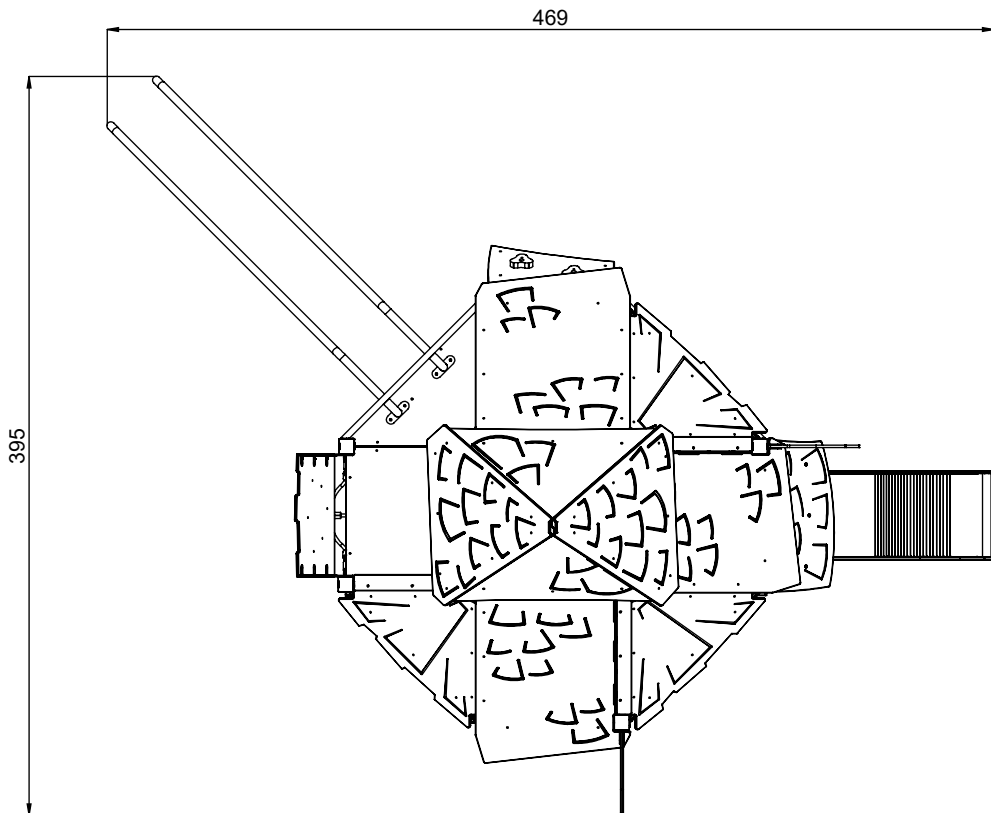
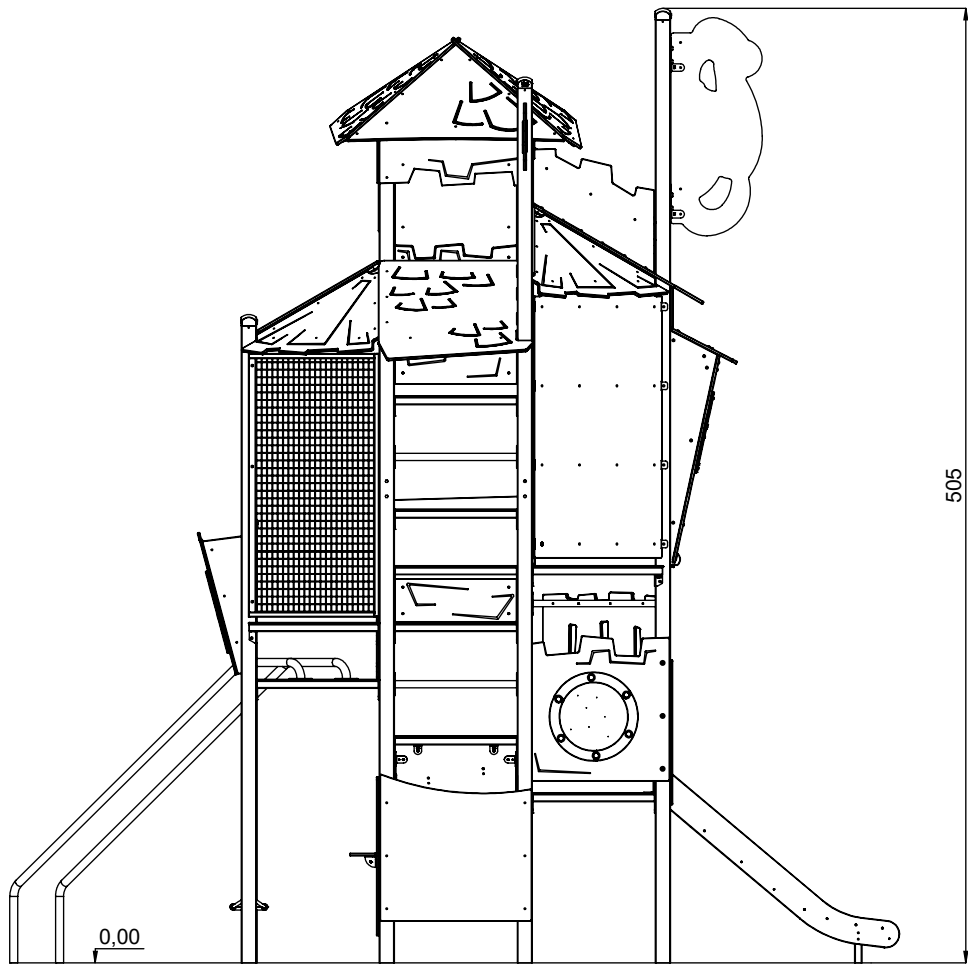
[cm]

vinci
play



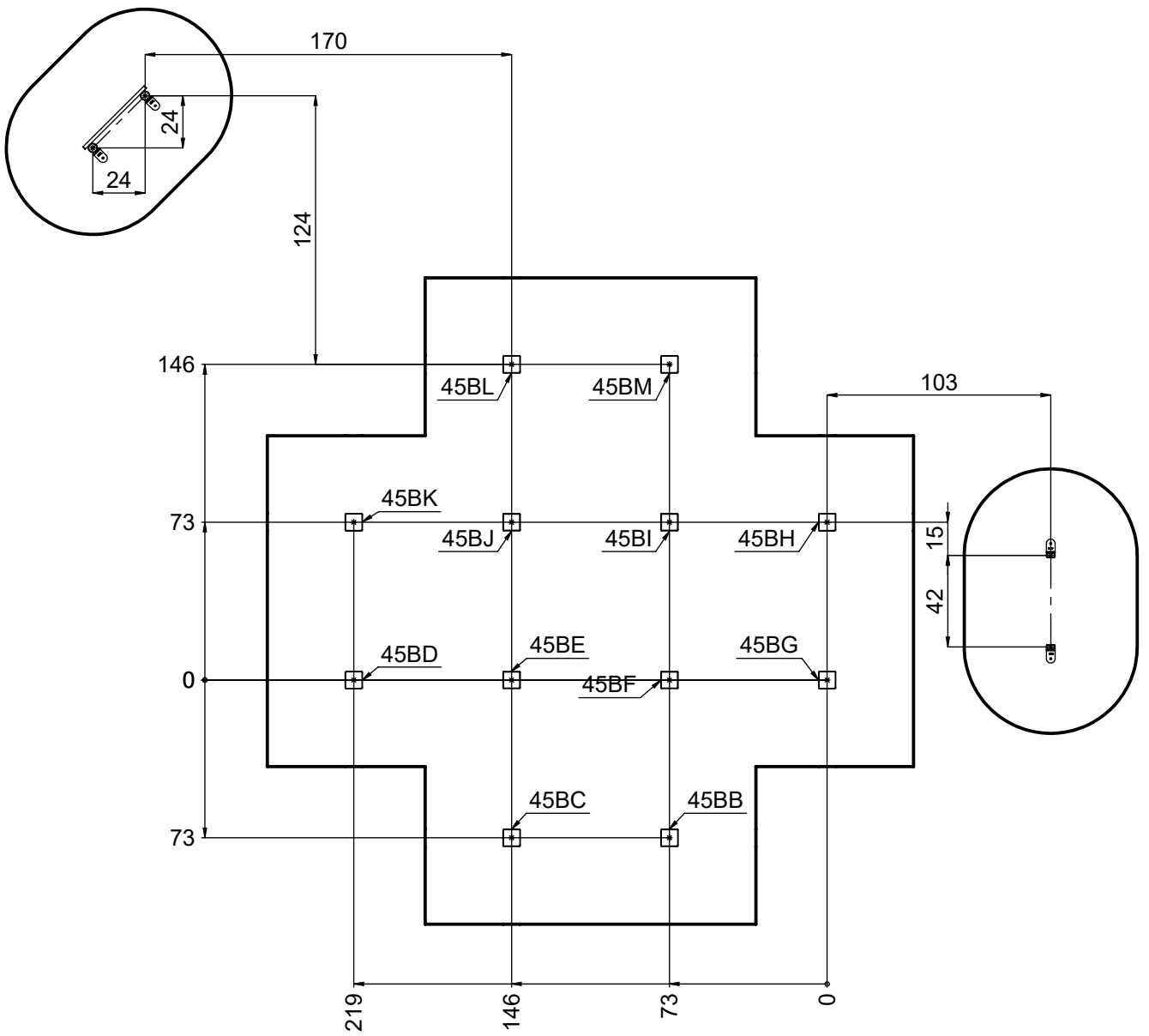
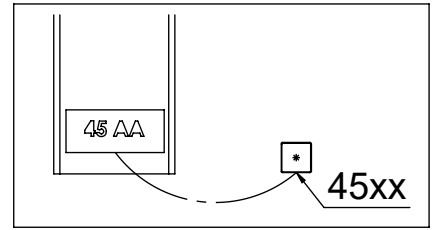
[cm]

vinci
play



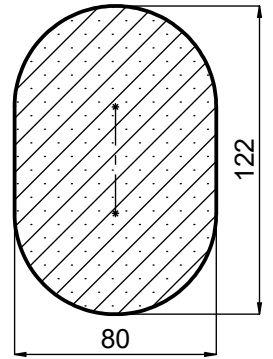
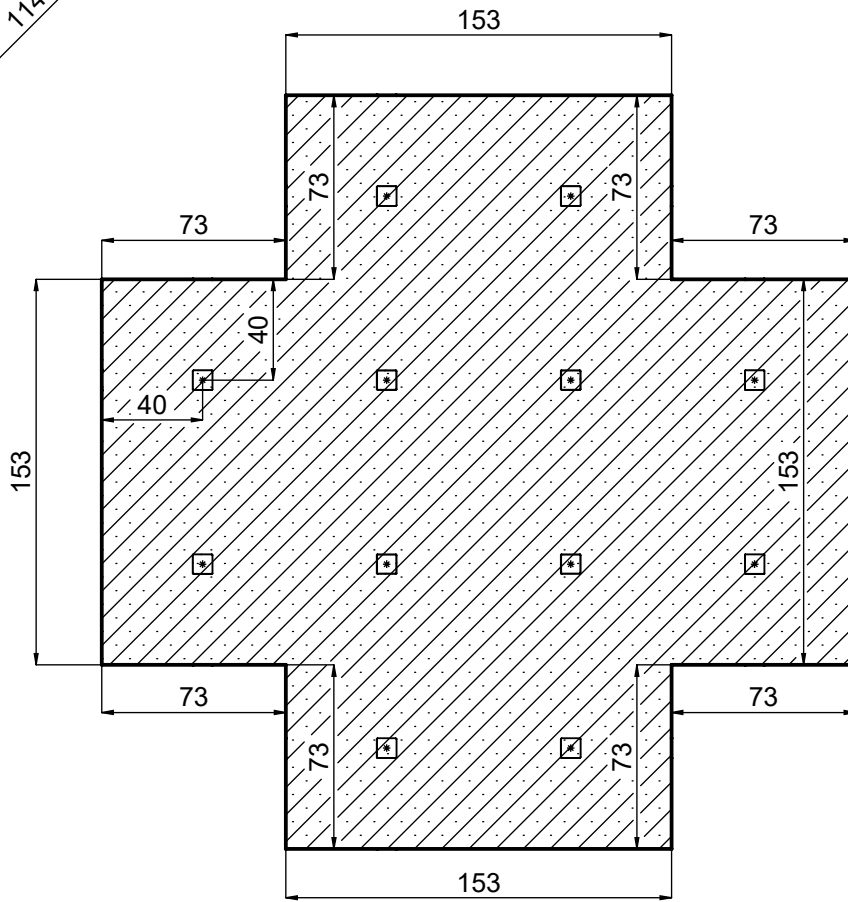
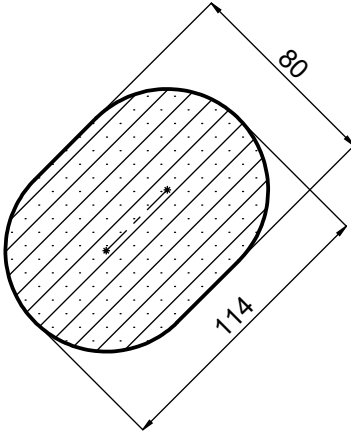
[cm]

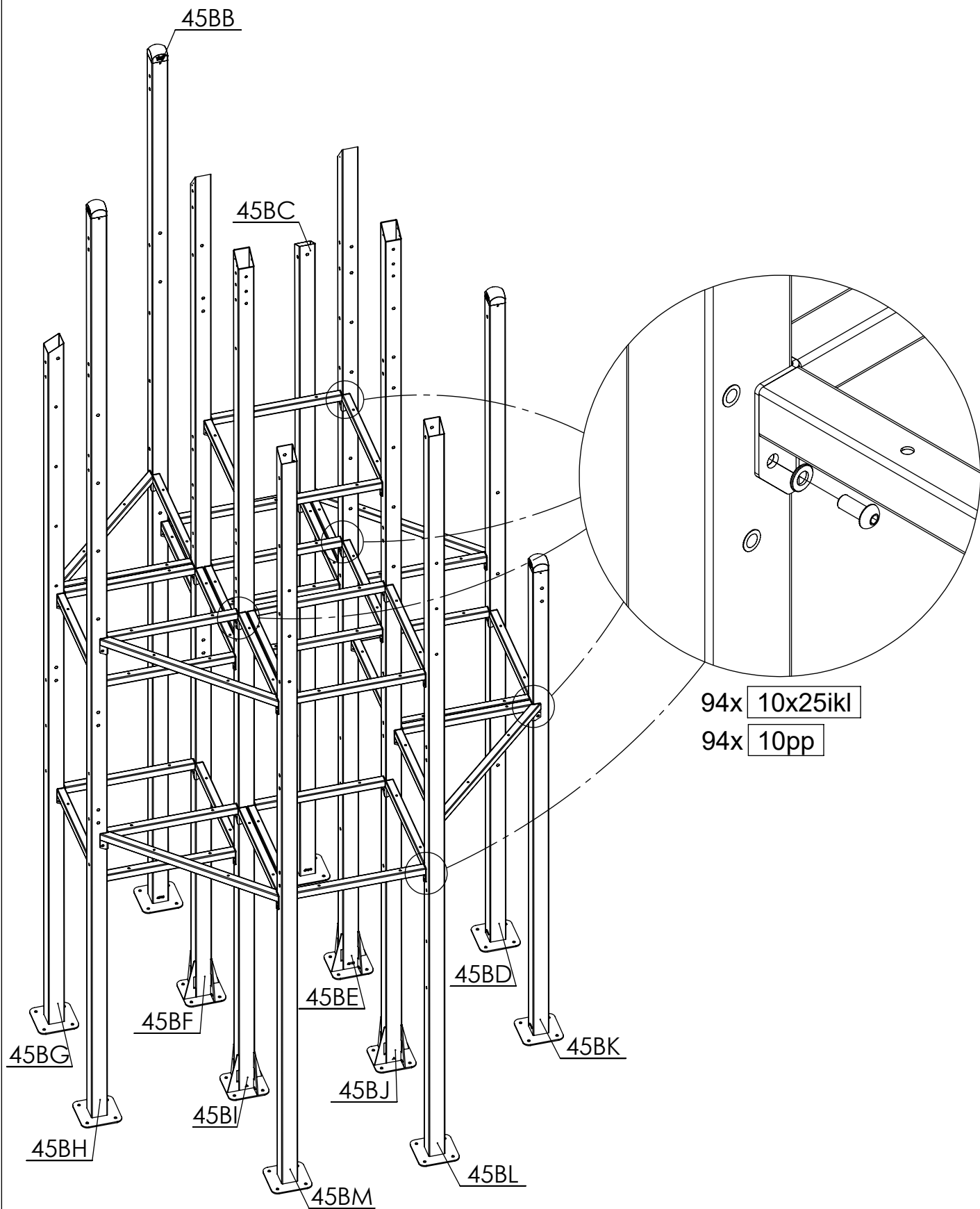
vinci
play



[cm]

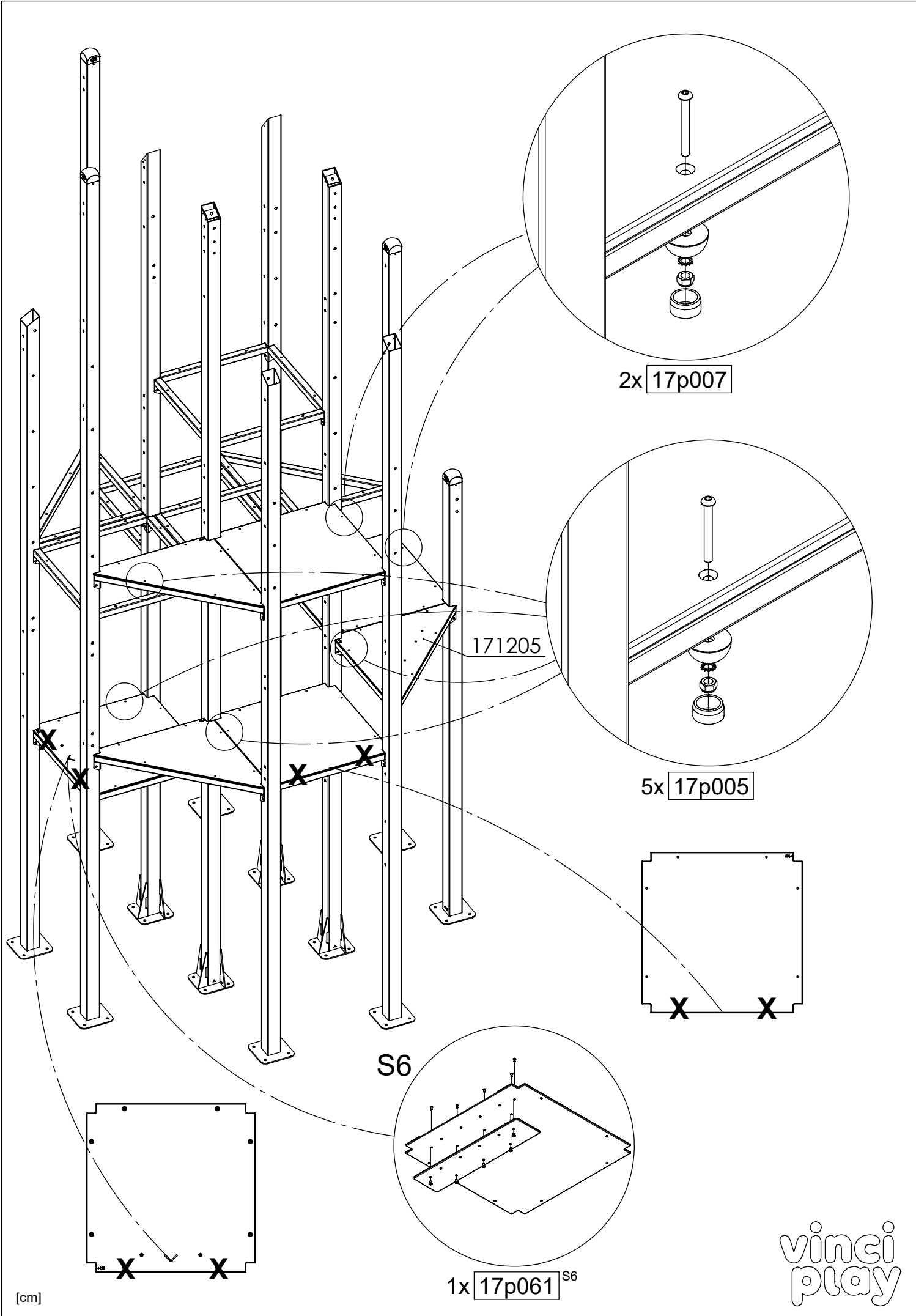
vinci
play





[cm]

vinci
play



2x 17p007

171205

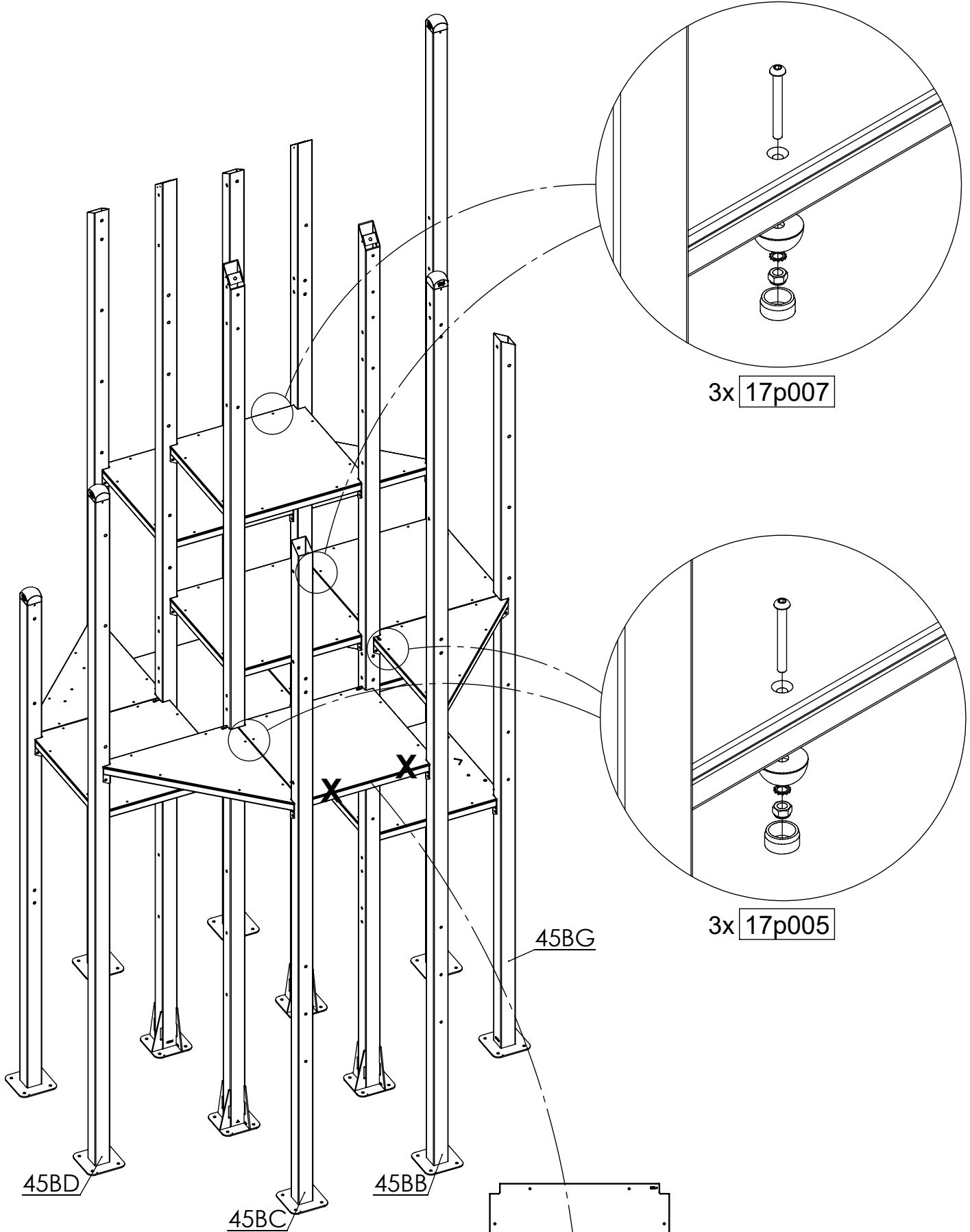
5x 17p005

S6

1x 17p061^{S6}

vinci
play

[cm]



3x 17p007

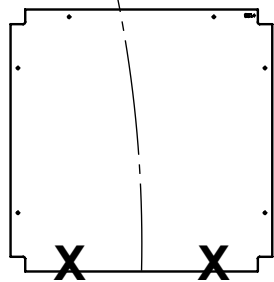
3x 17p005

45BD

45BC

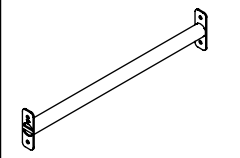
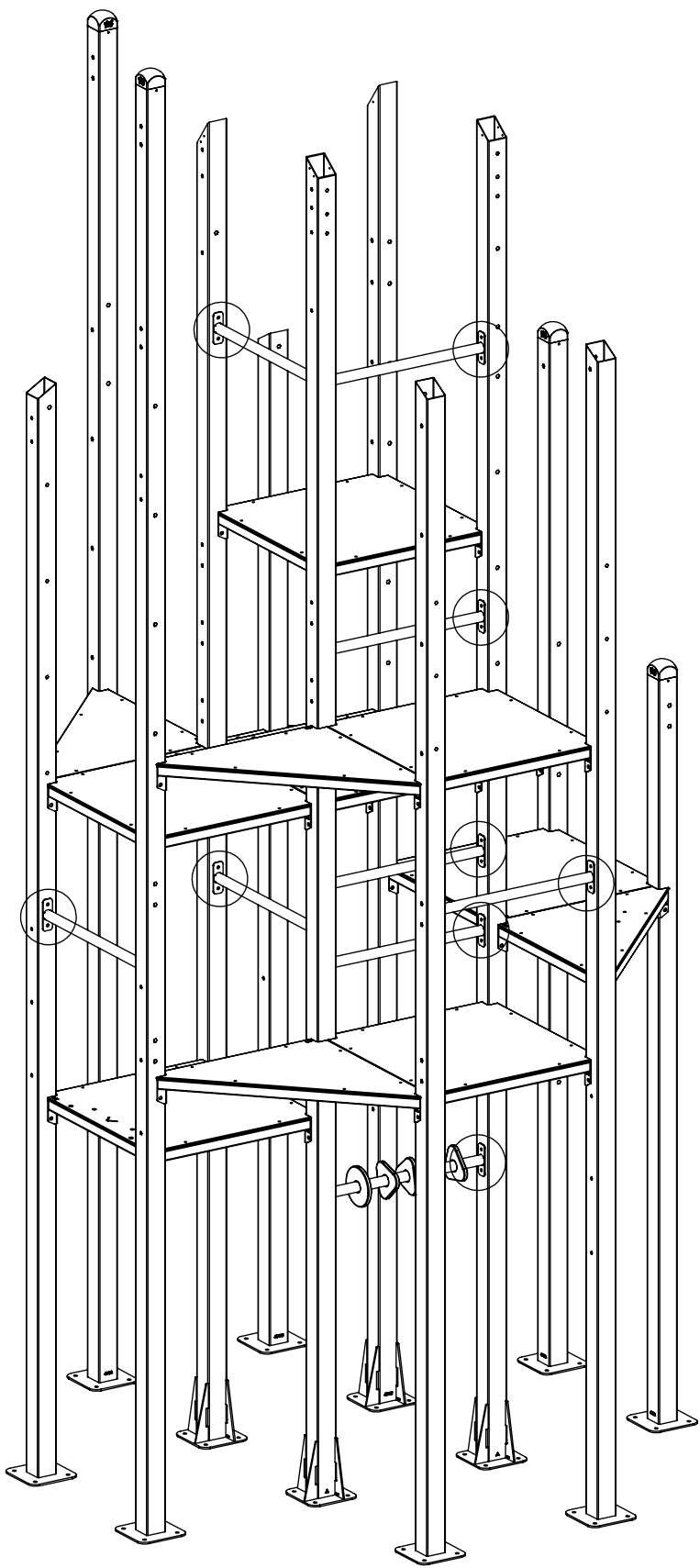
45BB

45BG

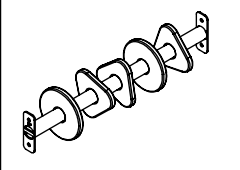


[cm]

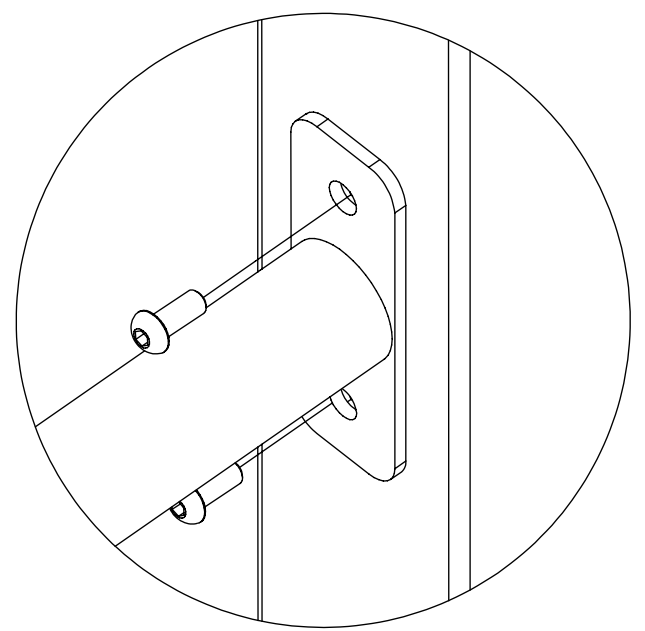
vinci
play



8x 142117



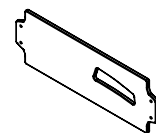
1x 304104



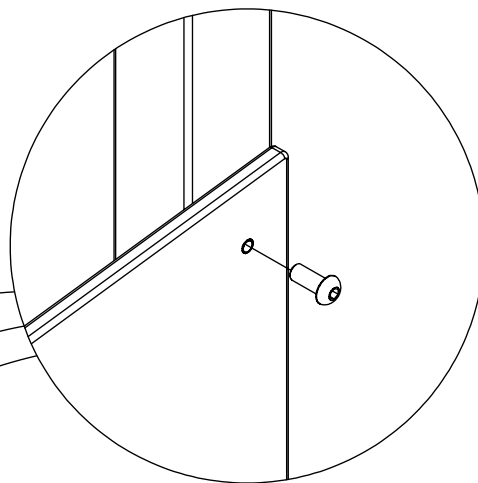
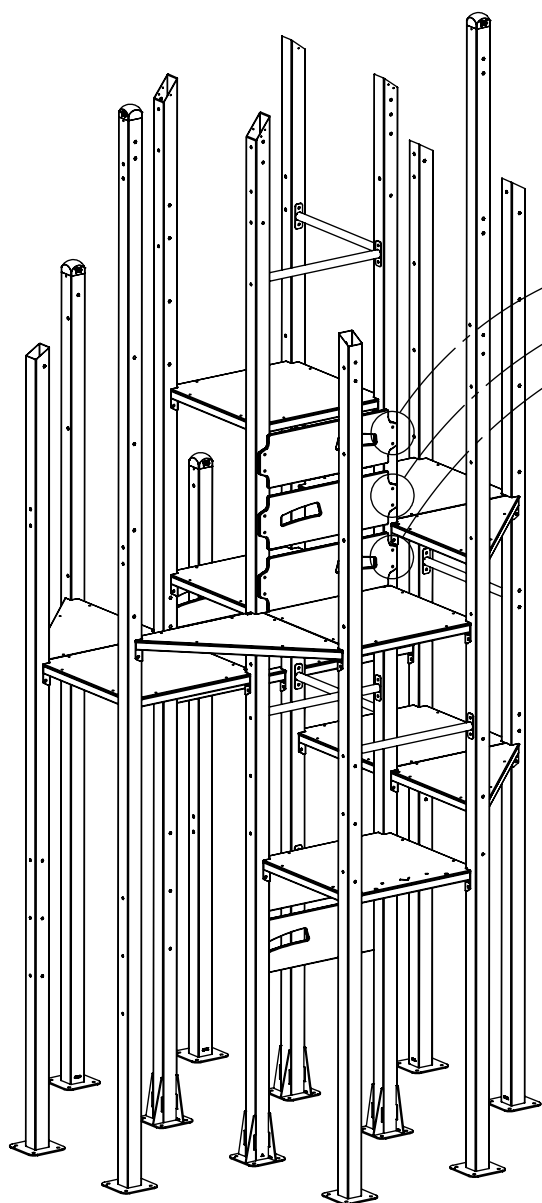
36x 10x25i|k|

[cm]

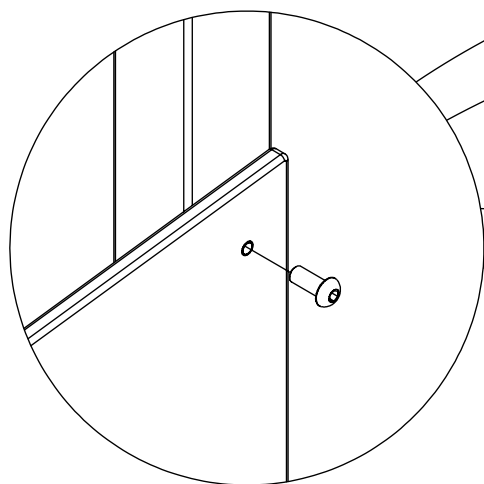
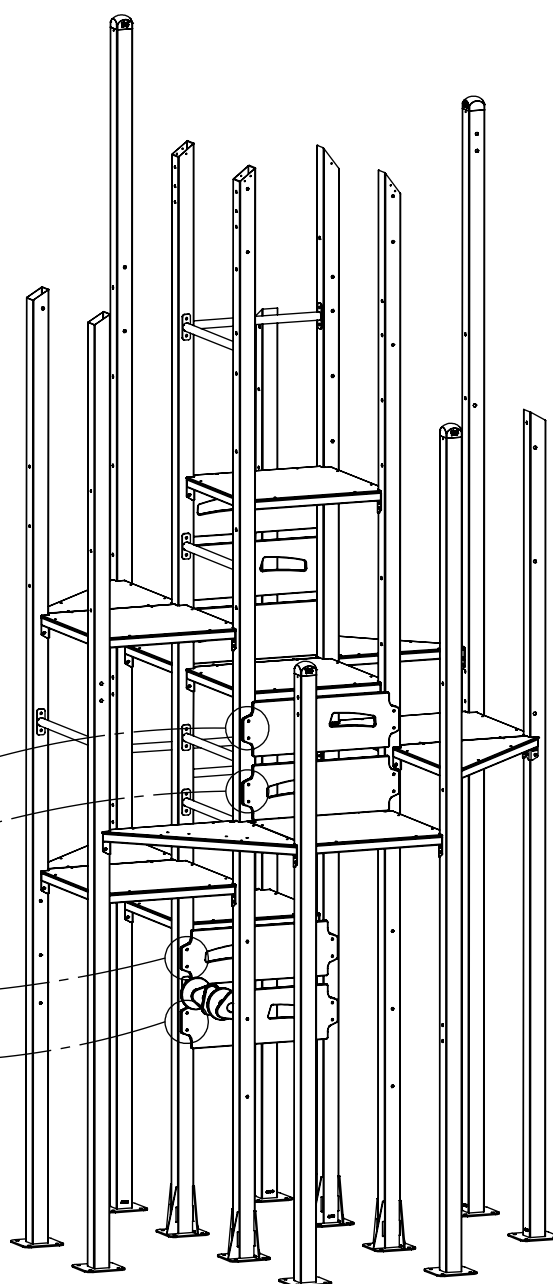
vinci
play



7x 171240



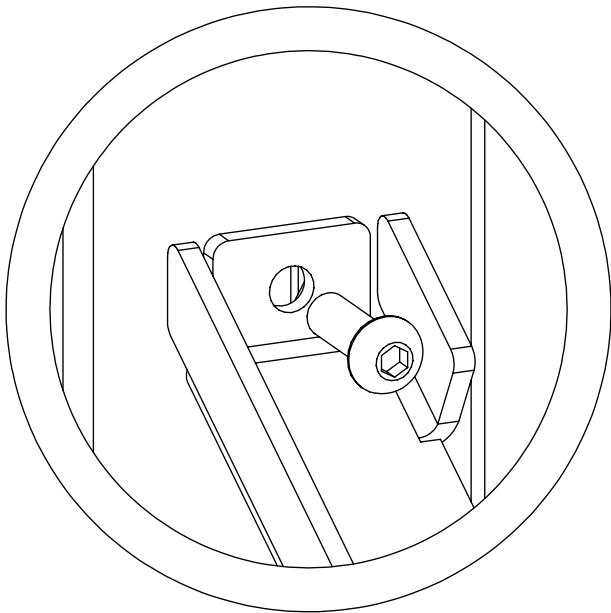
12x 8x30iki



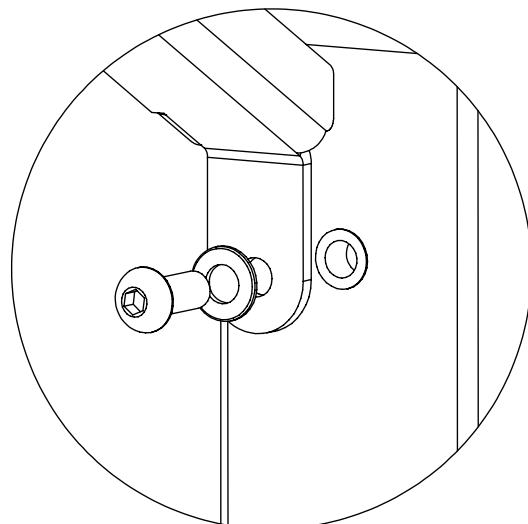
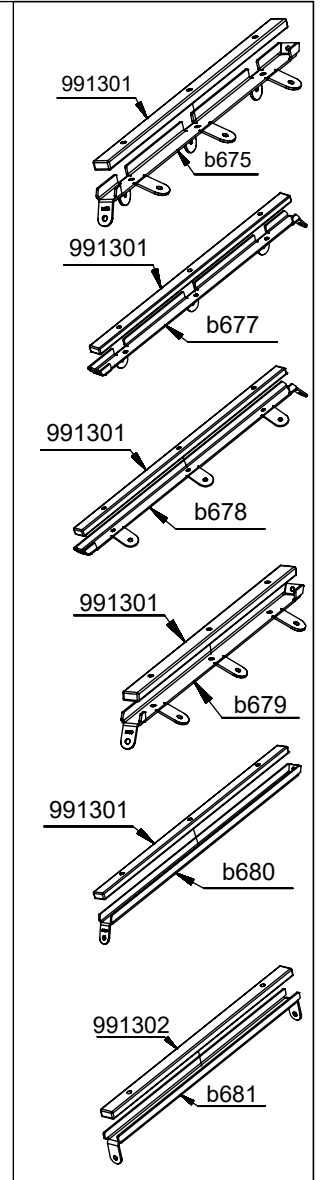
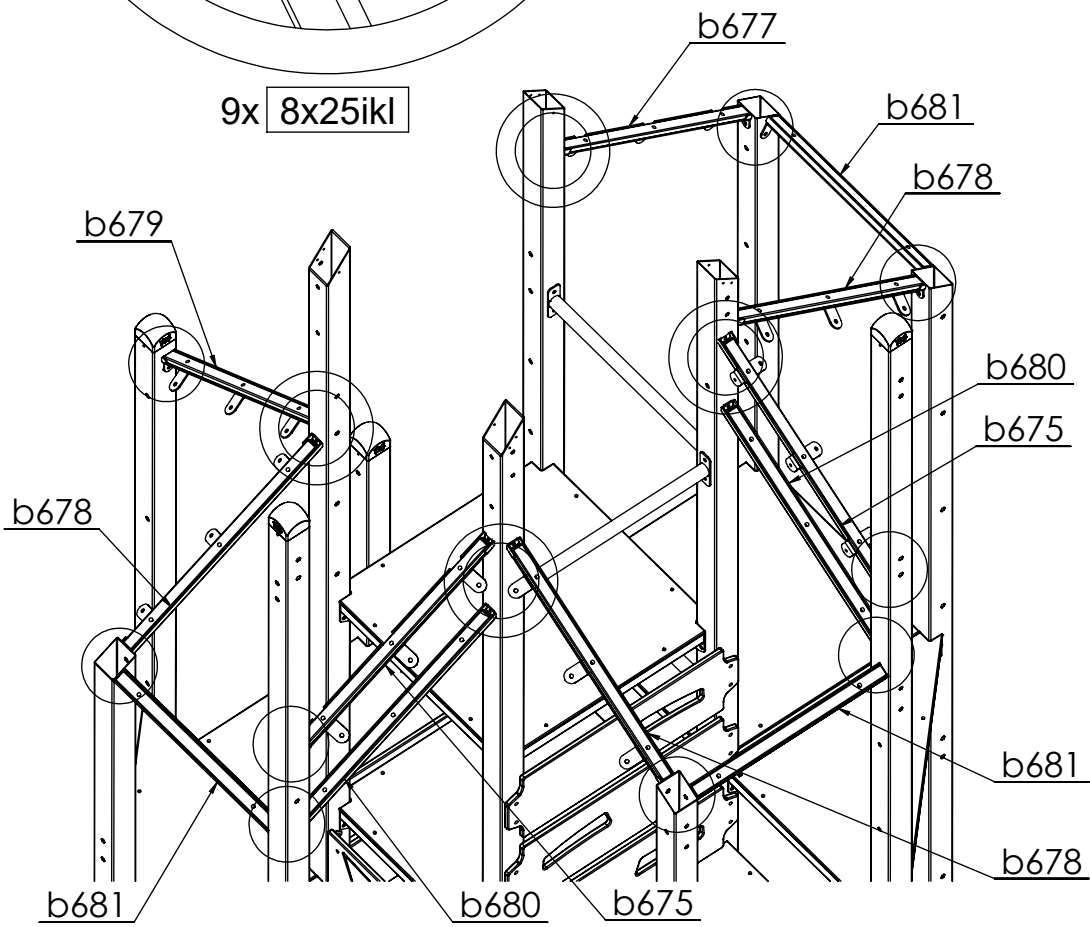
16x 8x30iki

[cm]

vinci
play



9x 8x25ikl

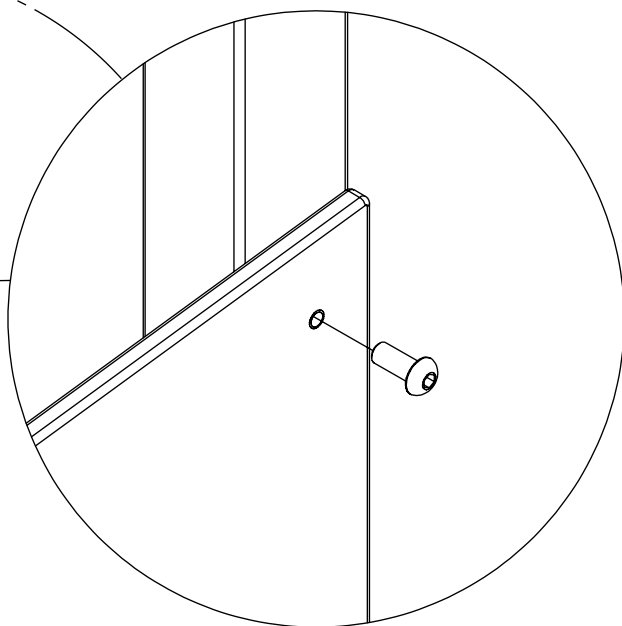
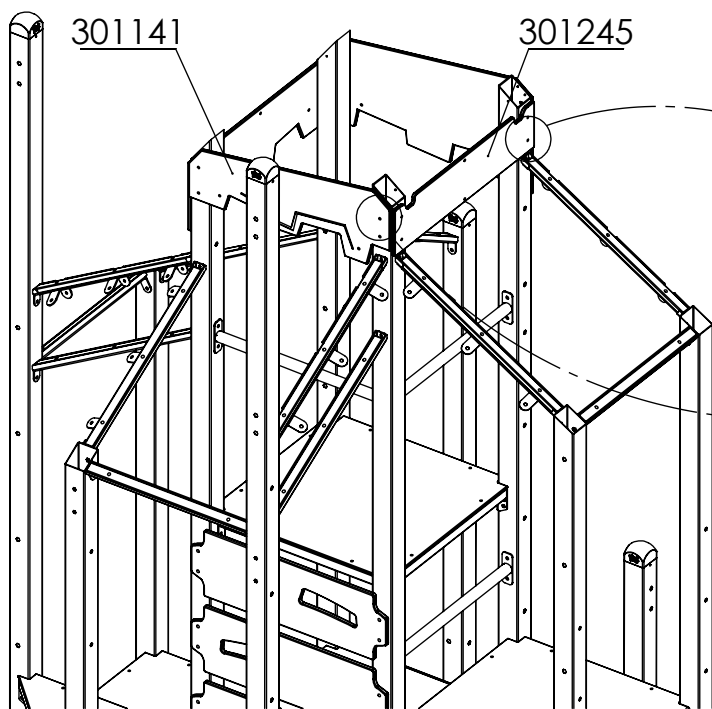


15x 10x25ikl

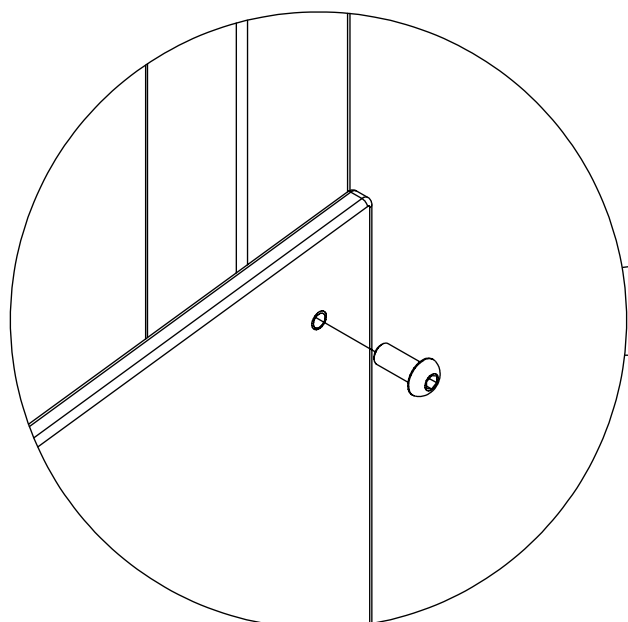
15x 10pp

[cm]

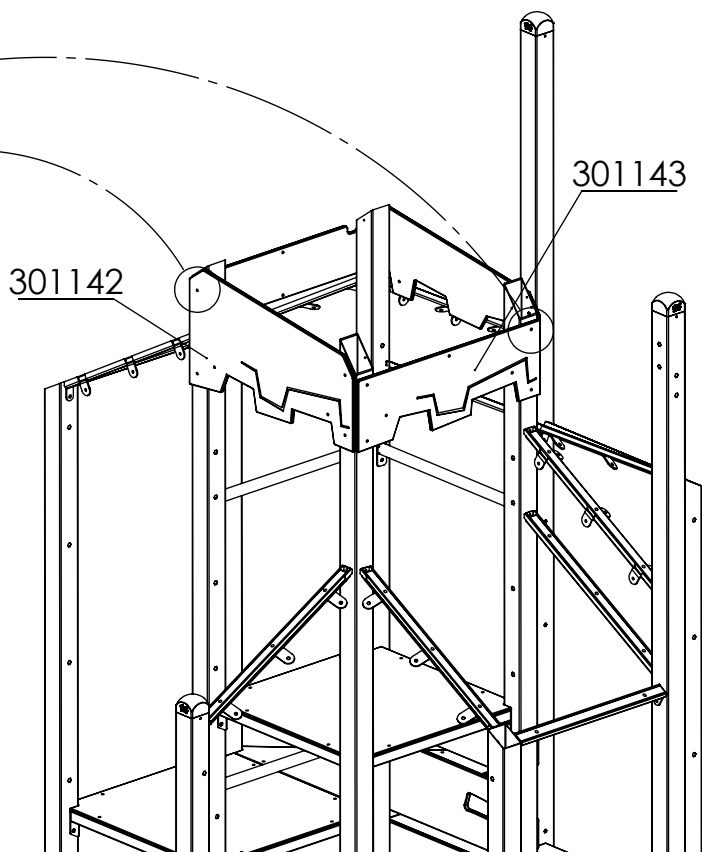
vinci play



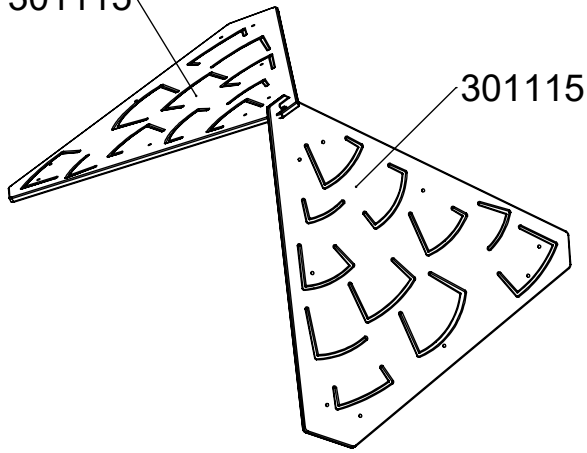
8x 8x25ikl



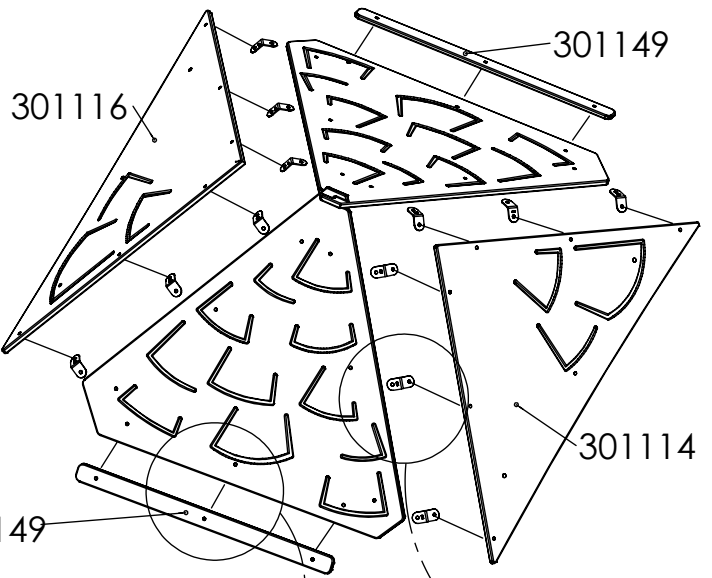
8x 8x25ikl



301115



301115

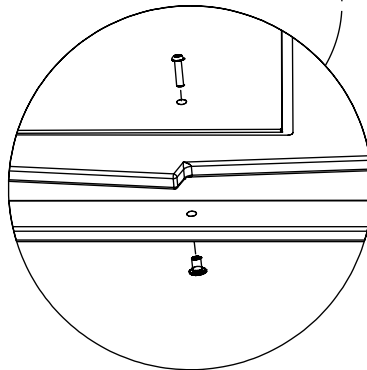


301116

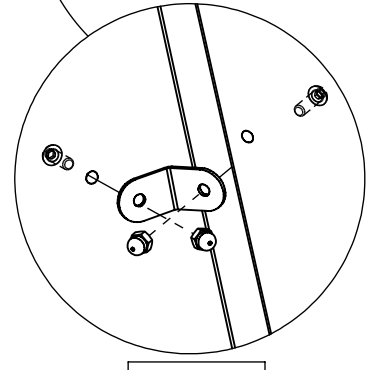
301149

301114

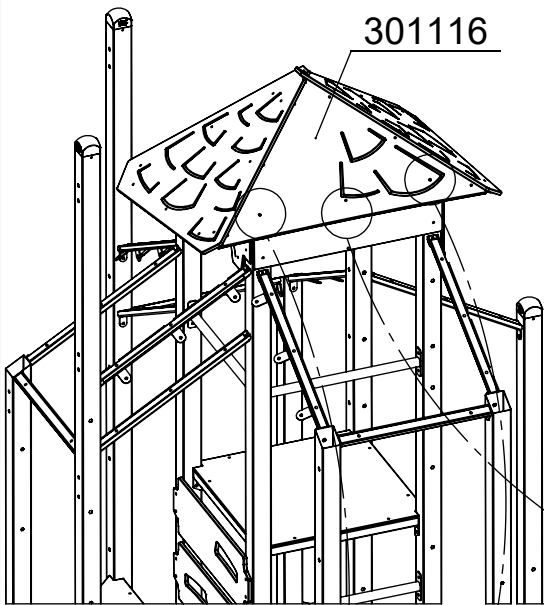
301149



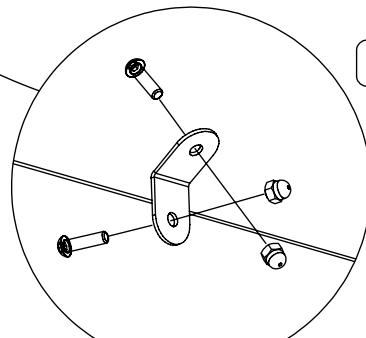
2x 30c152



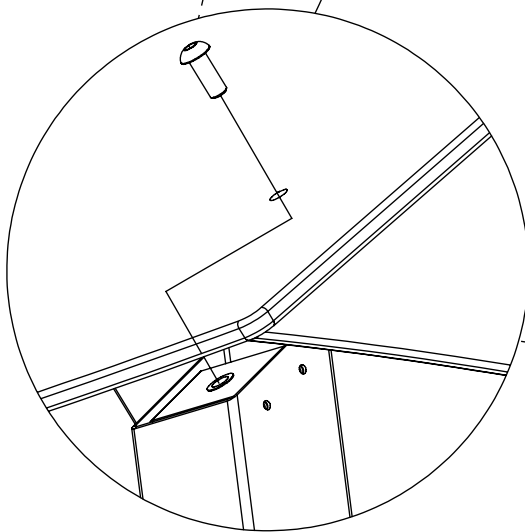
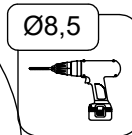
1x 30c058



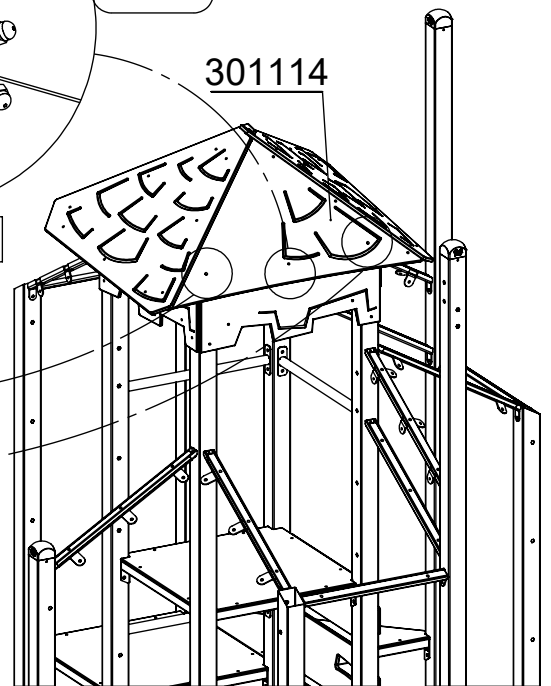
301116



1x 30c154



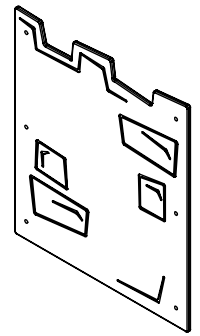
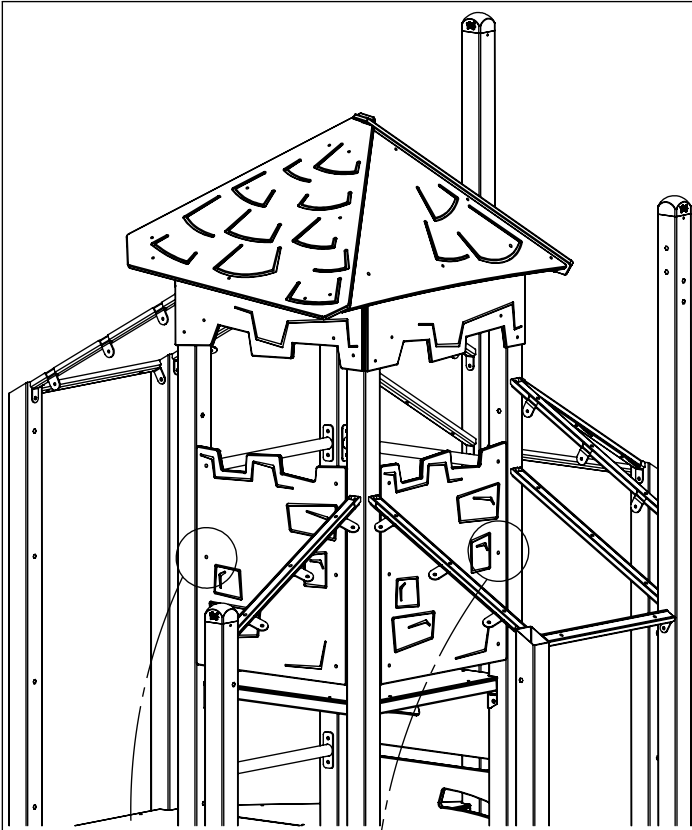
4x 10x30i



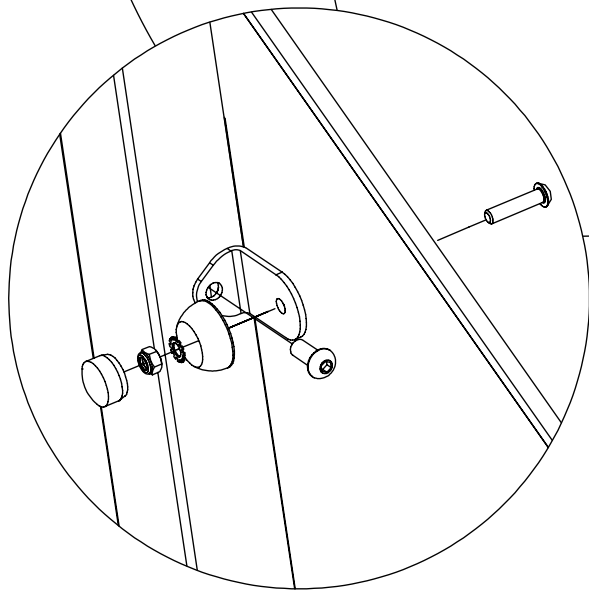
301114

[cm]

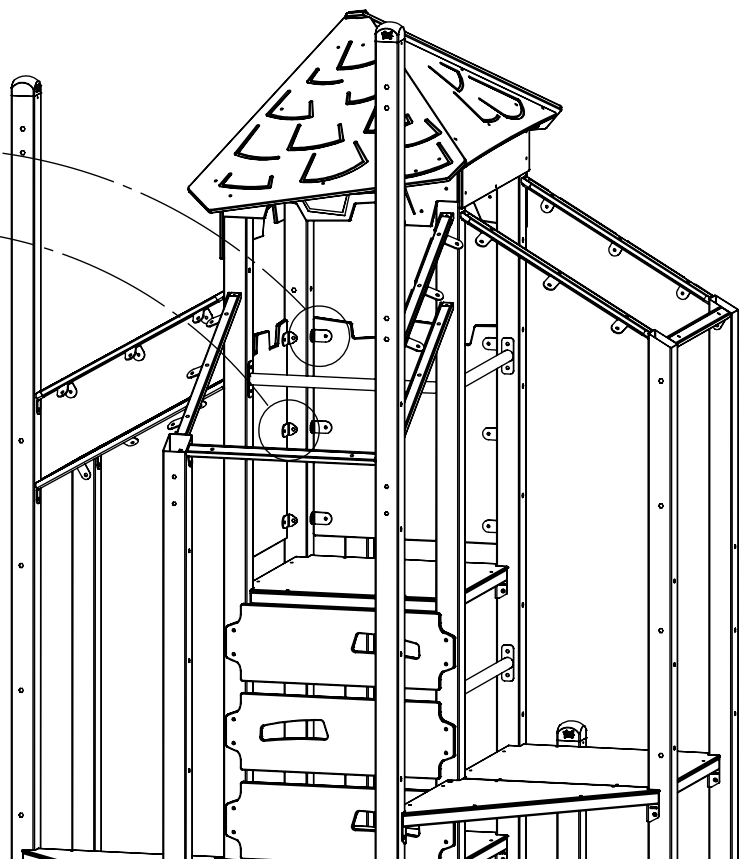
vinci
play



2x 301207

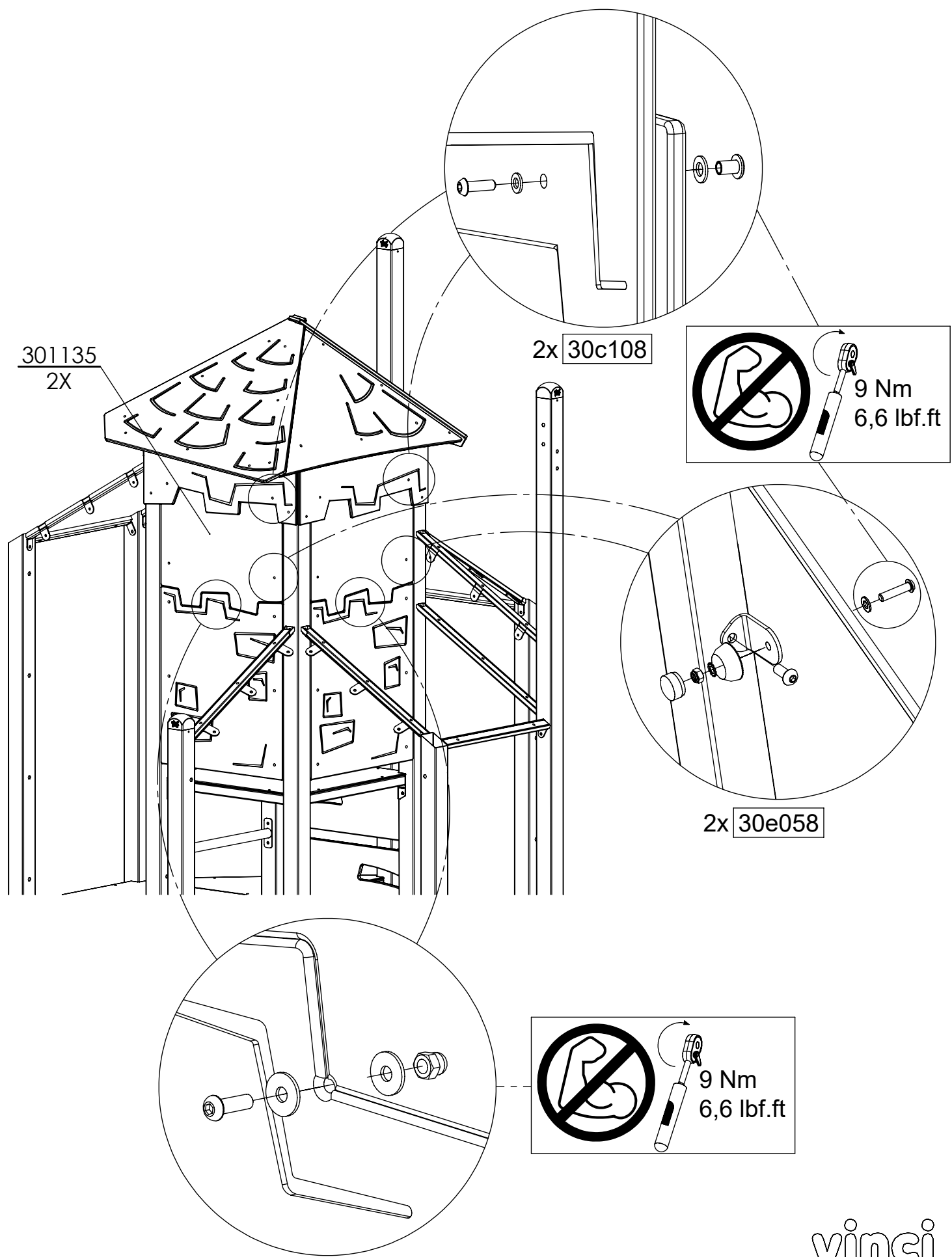


2x 17e111



[cm]

vinci
play

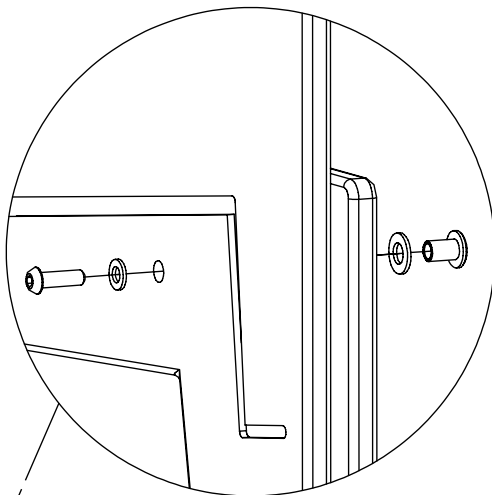


9 Nm
6,6 lbf.ft

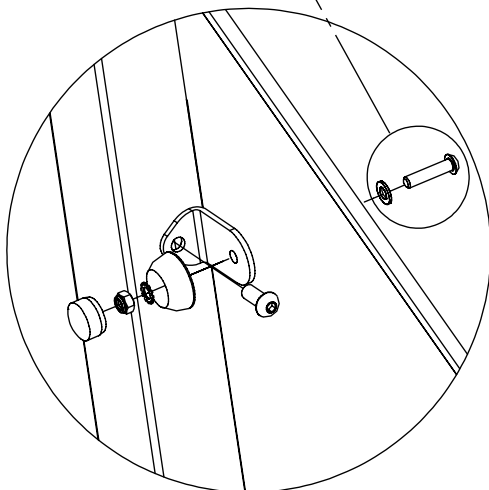
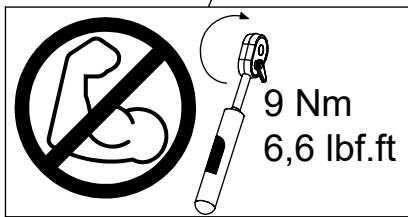
9 Nm
6,6 lbf.ft

[cm]

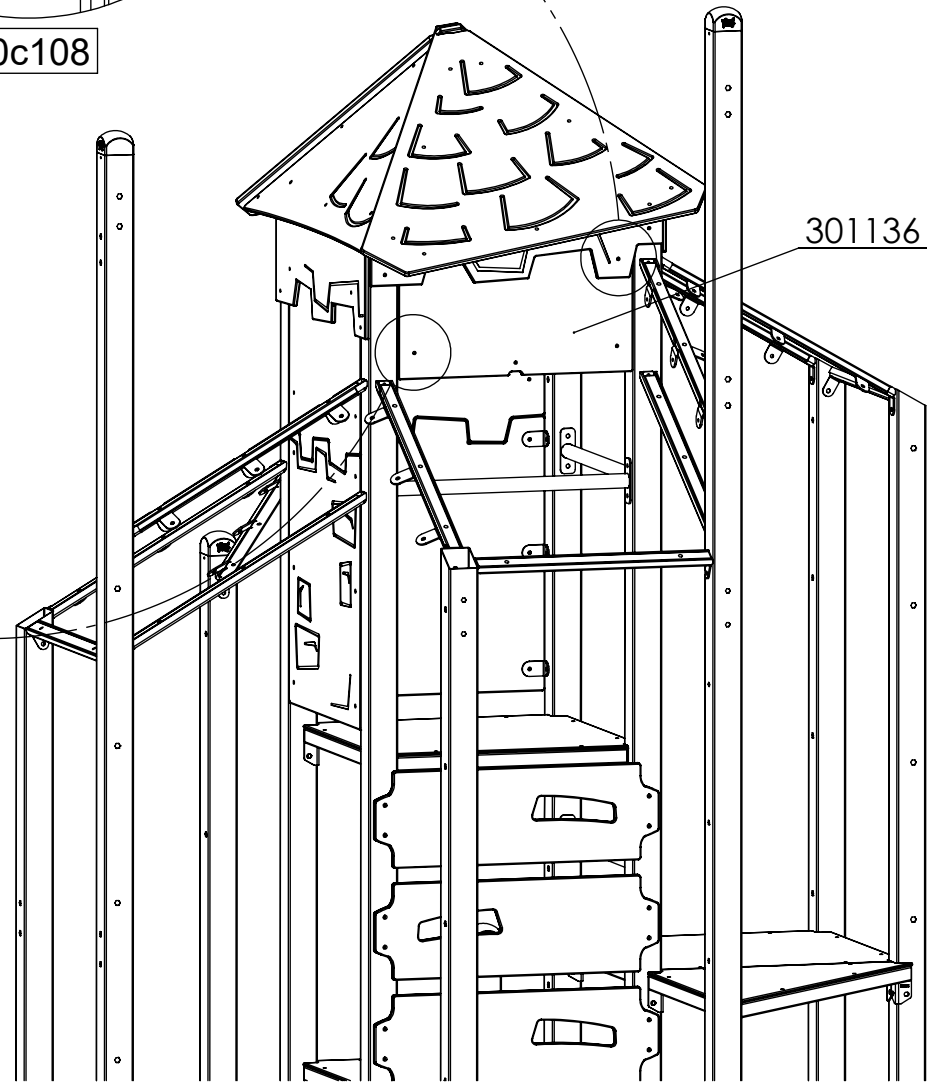
vinci
play



1x 30c108



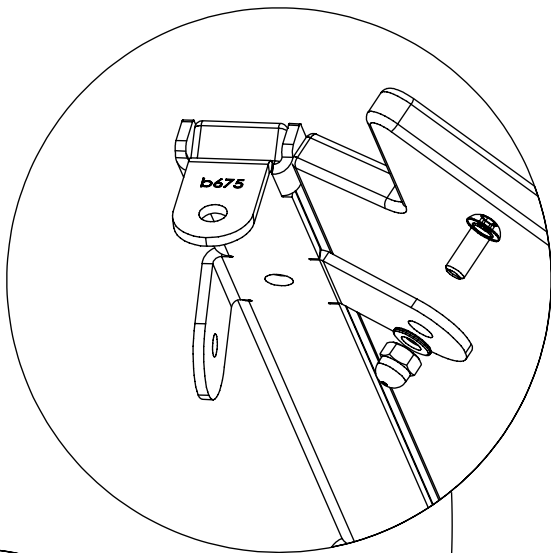
2x 30e058



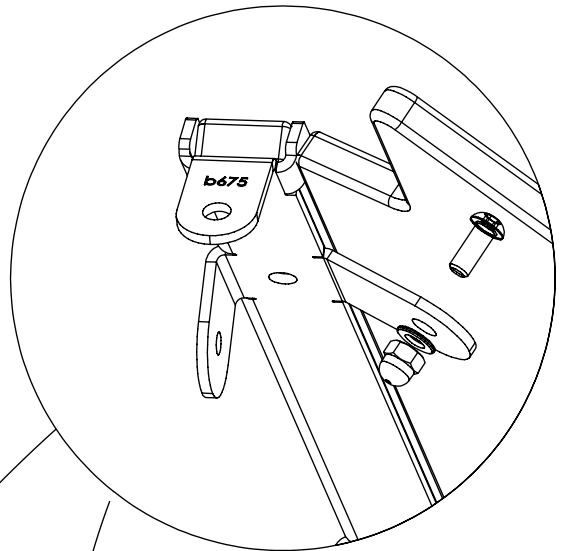
301136

[cm]

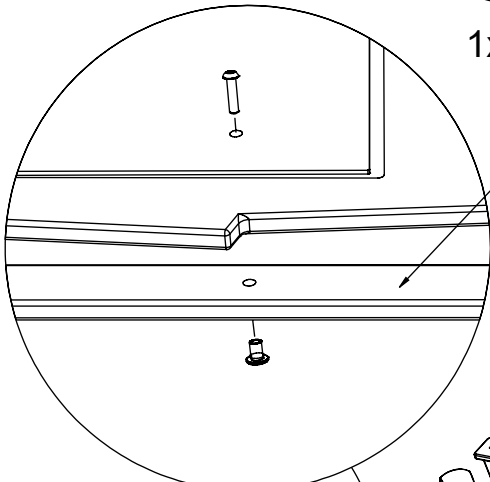
vinci
play



1x 30c060

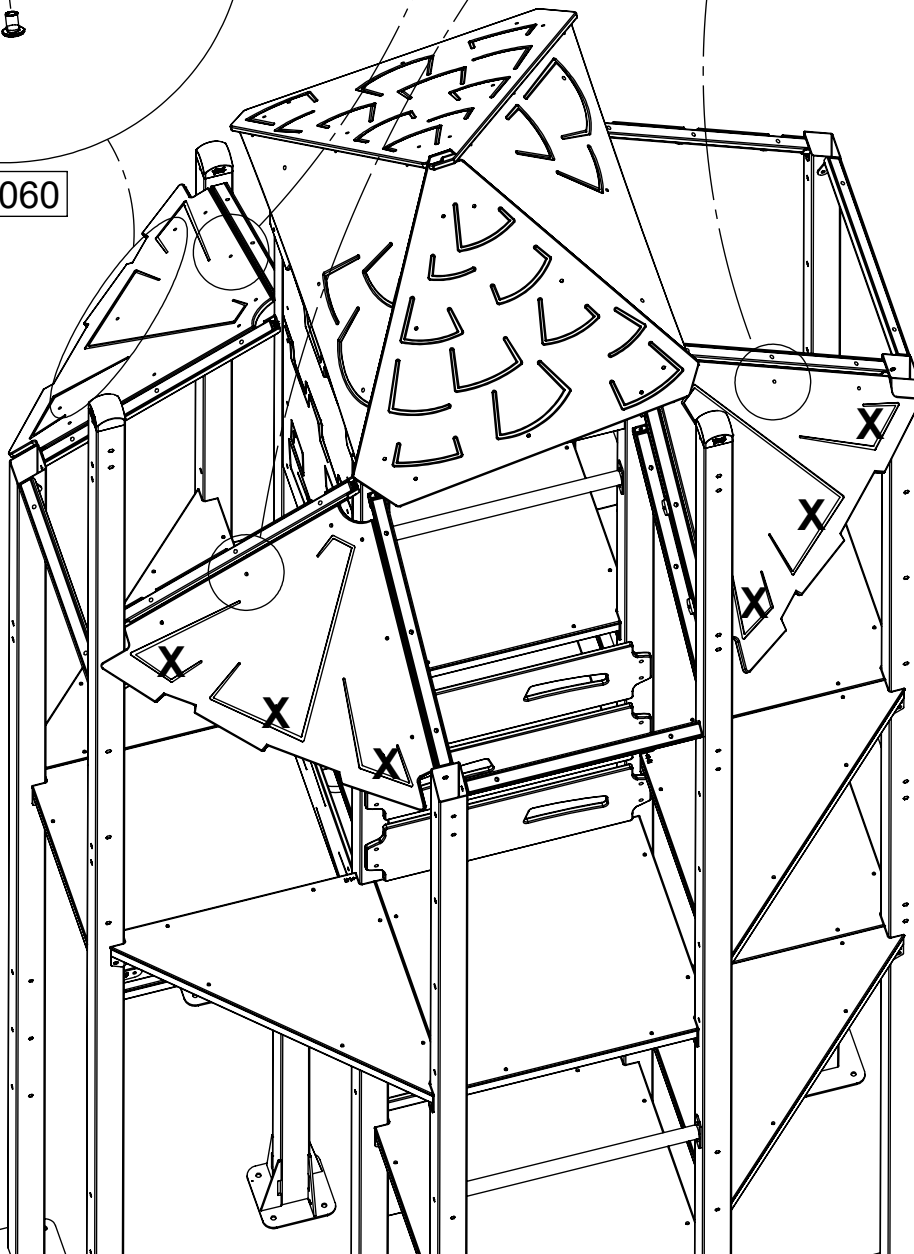


2x 30c148



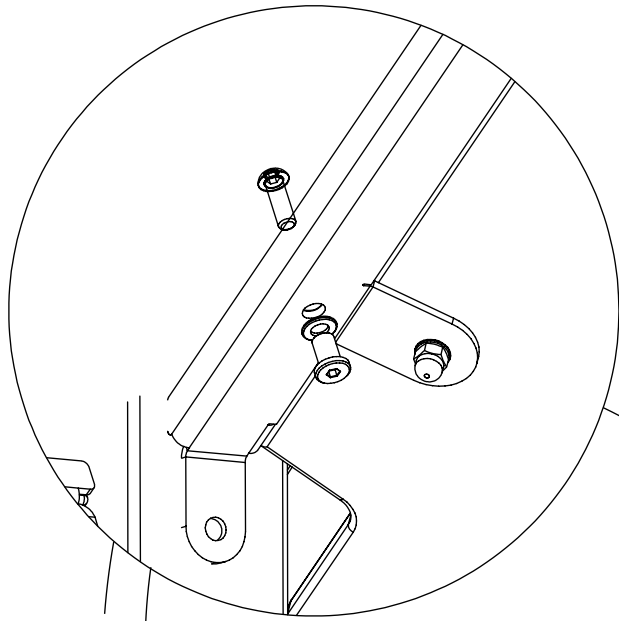
301149

30c060

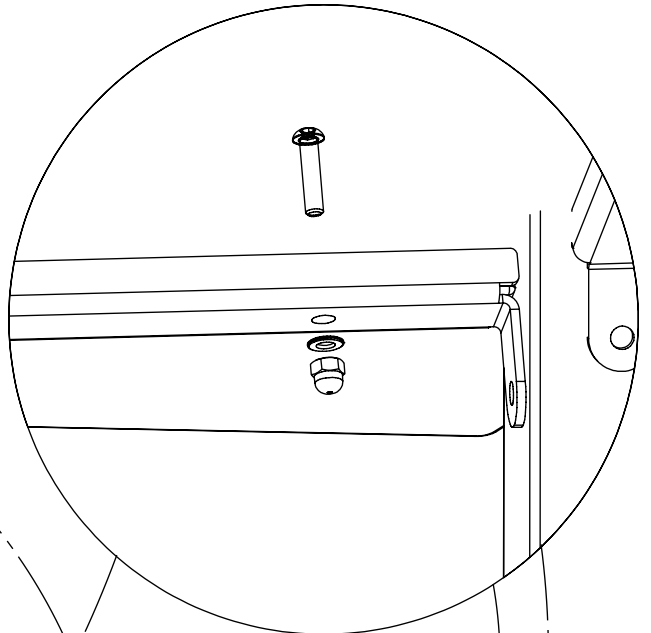


[cm]

vinci
play



3x 30c070



3x 30c068

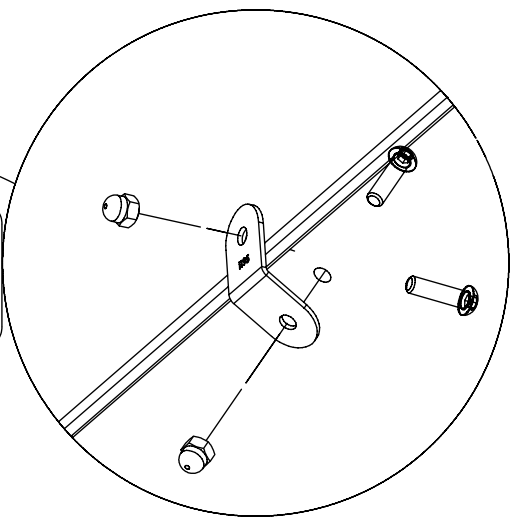
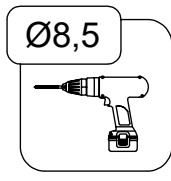
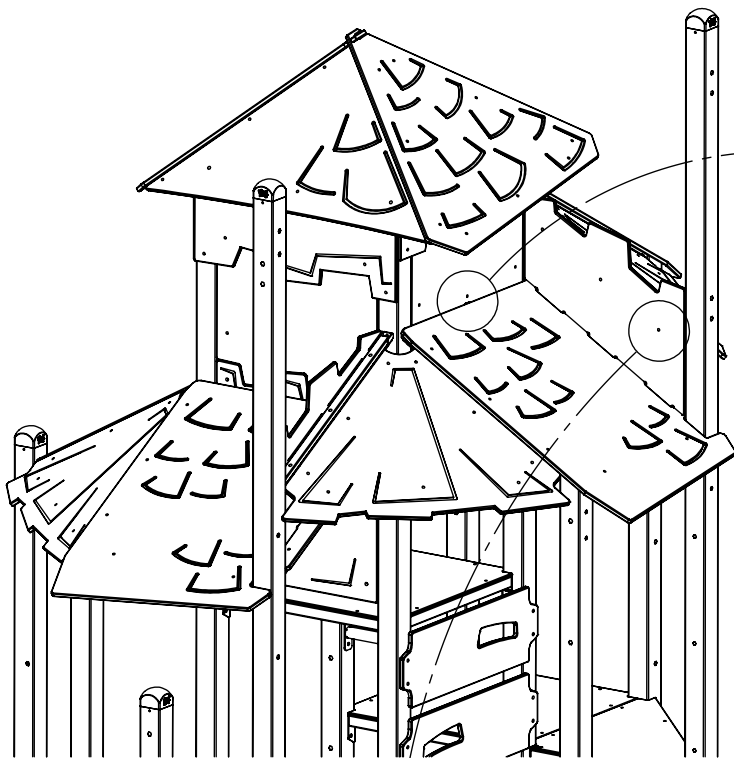
301197

301111

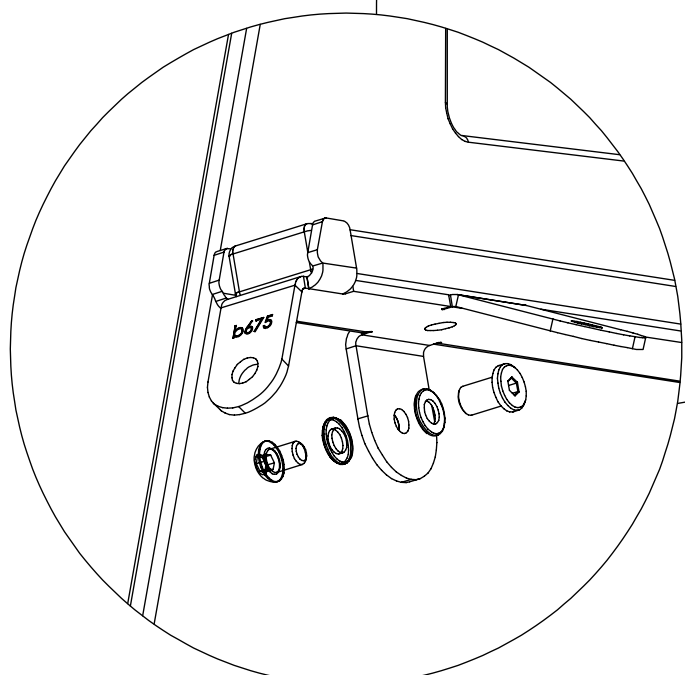
301111

[cm]

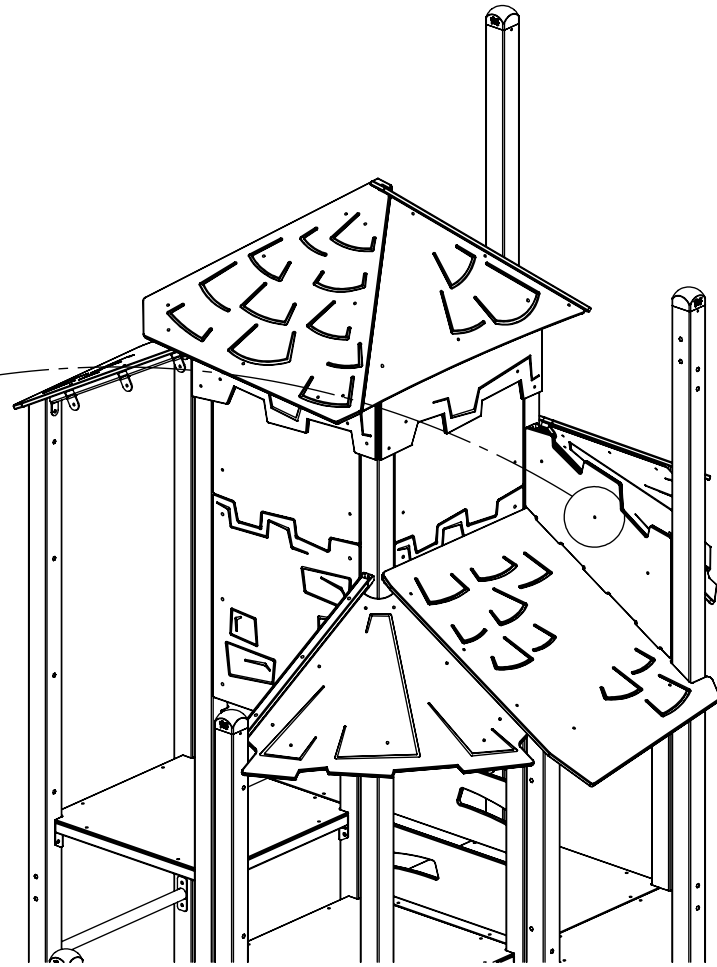
vinci
play



1x 30c124

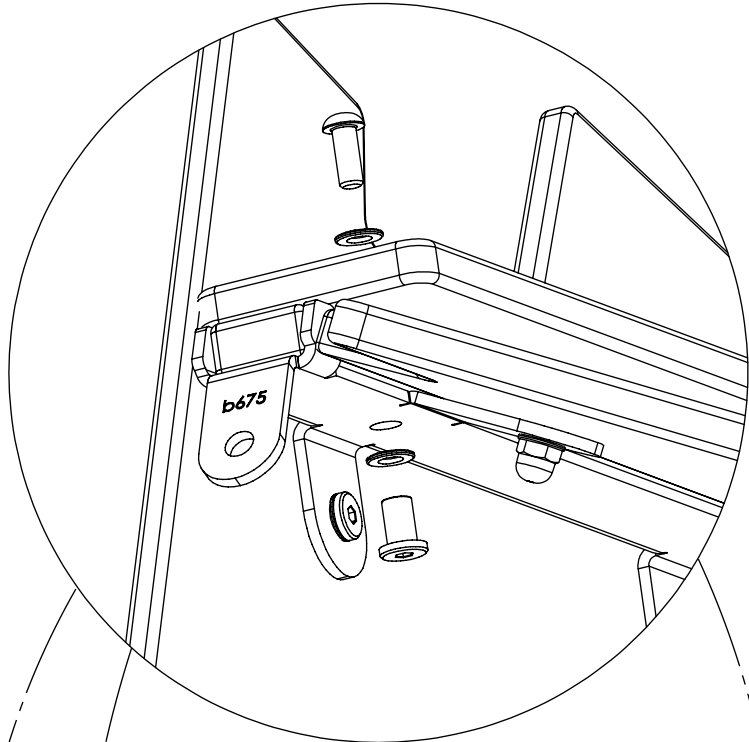


2x 30c106

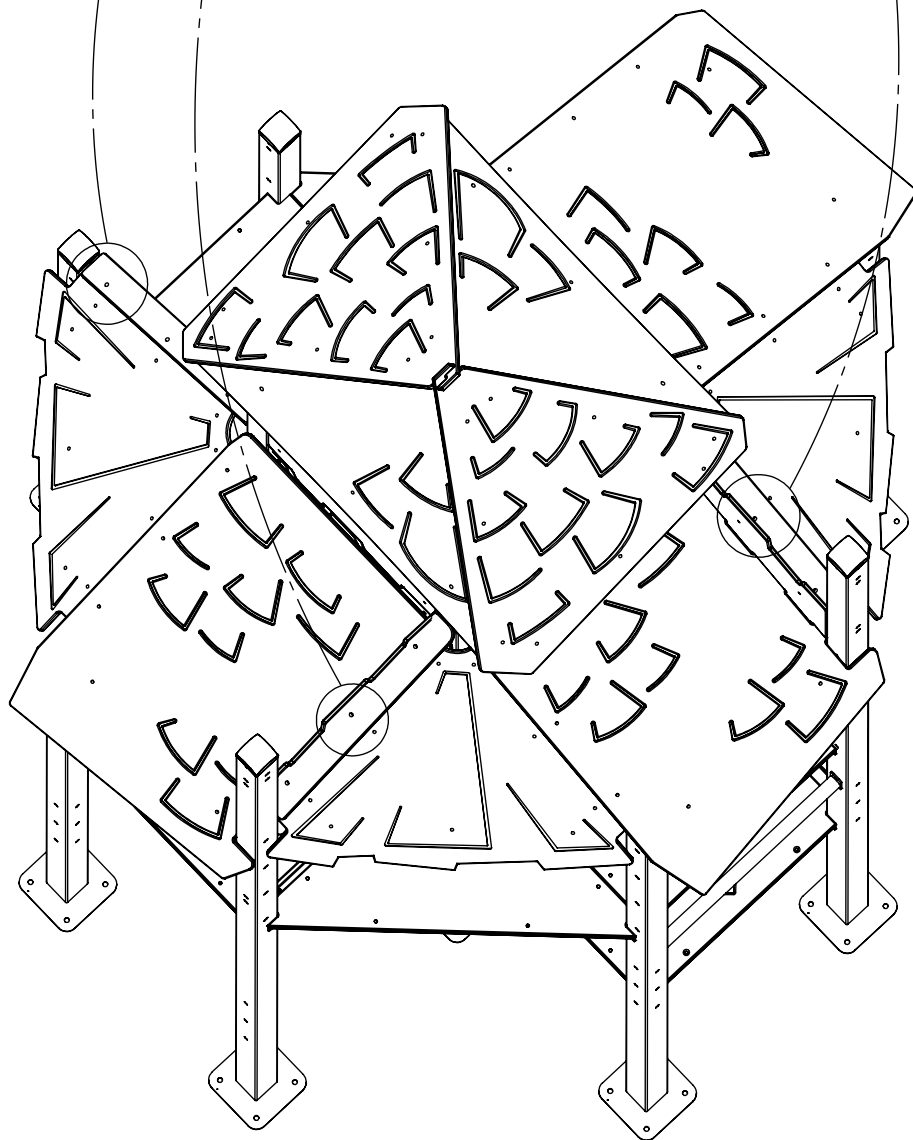


[cm]

vinci
play

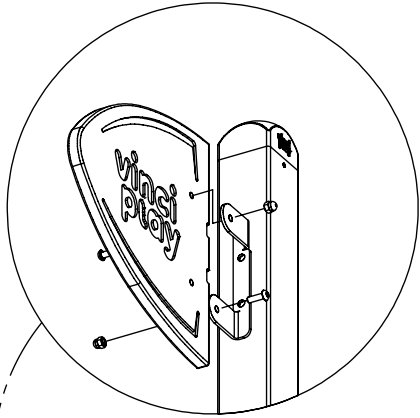
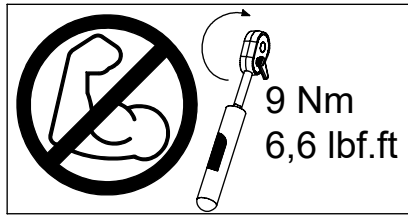


3x 30c110

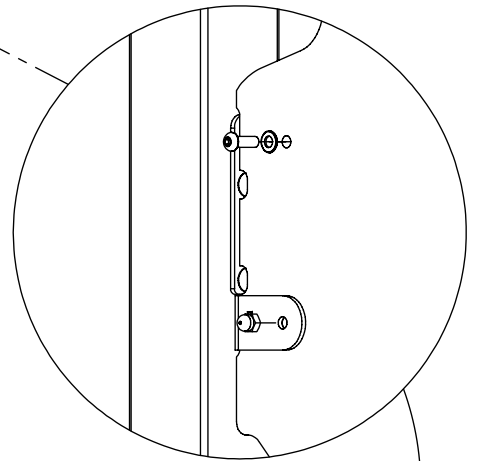


[cm]

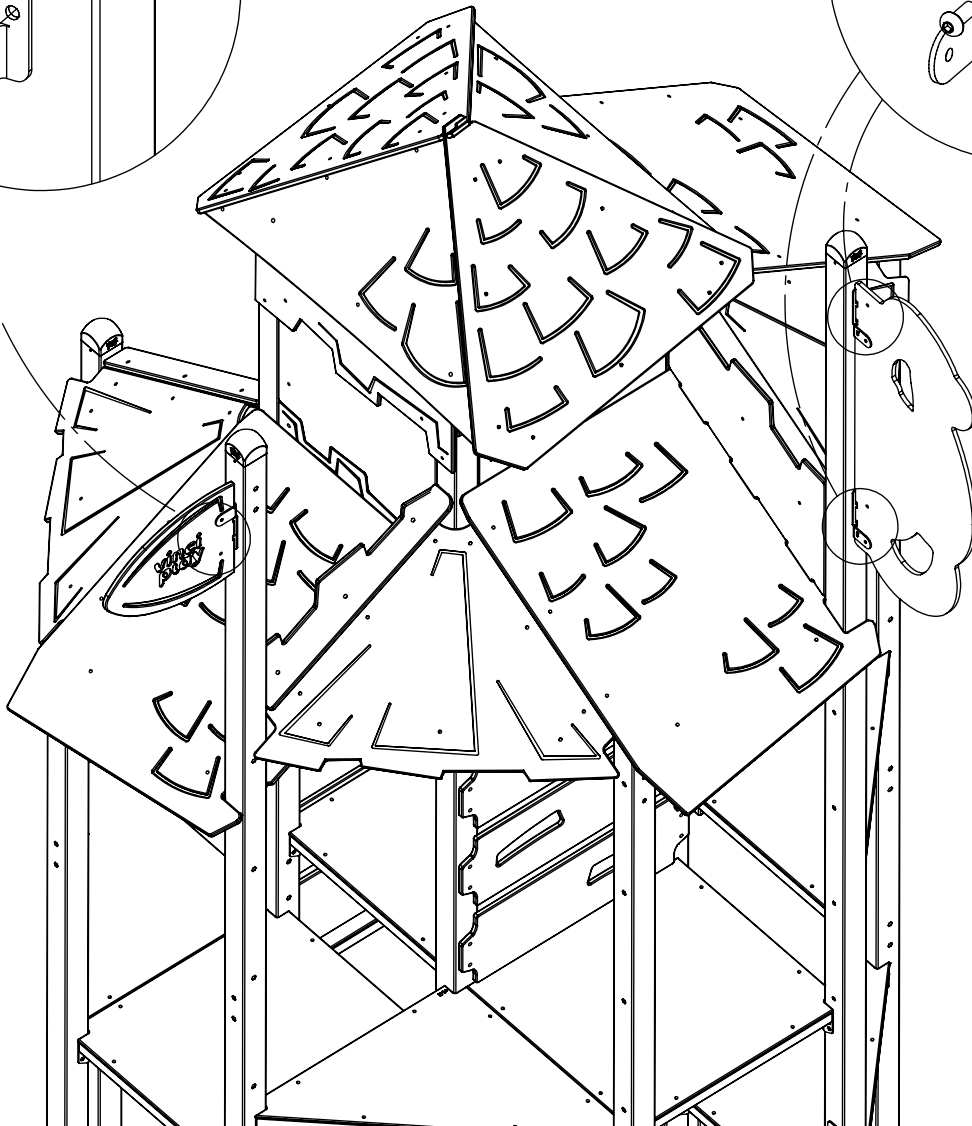
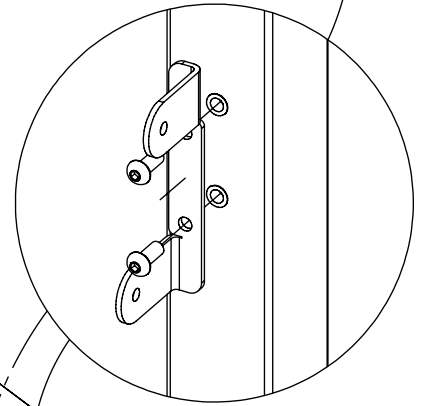
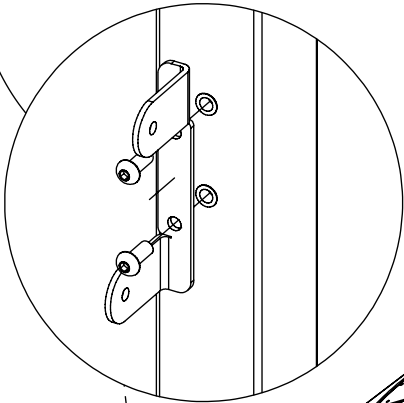
vinci
play



1x E15

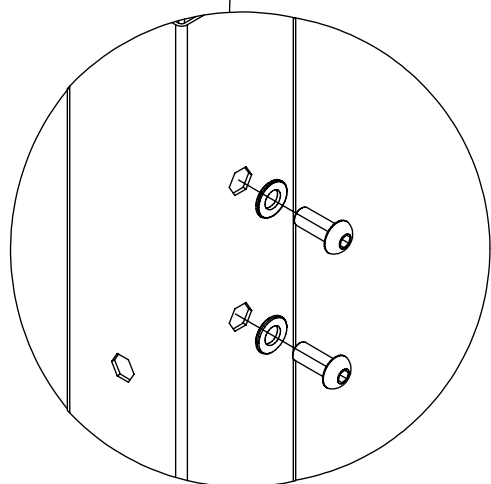
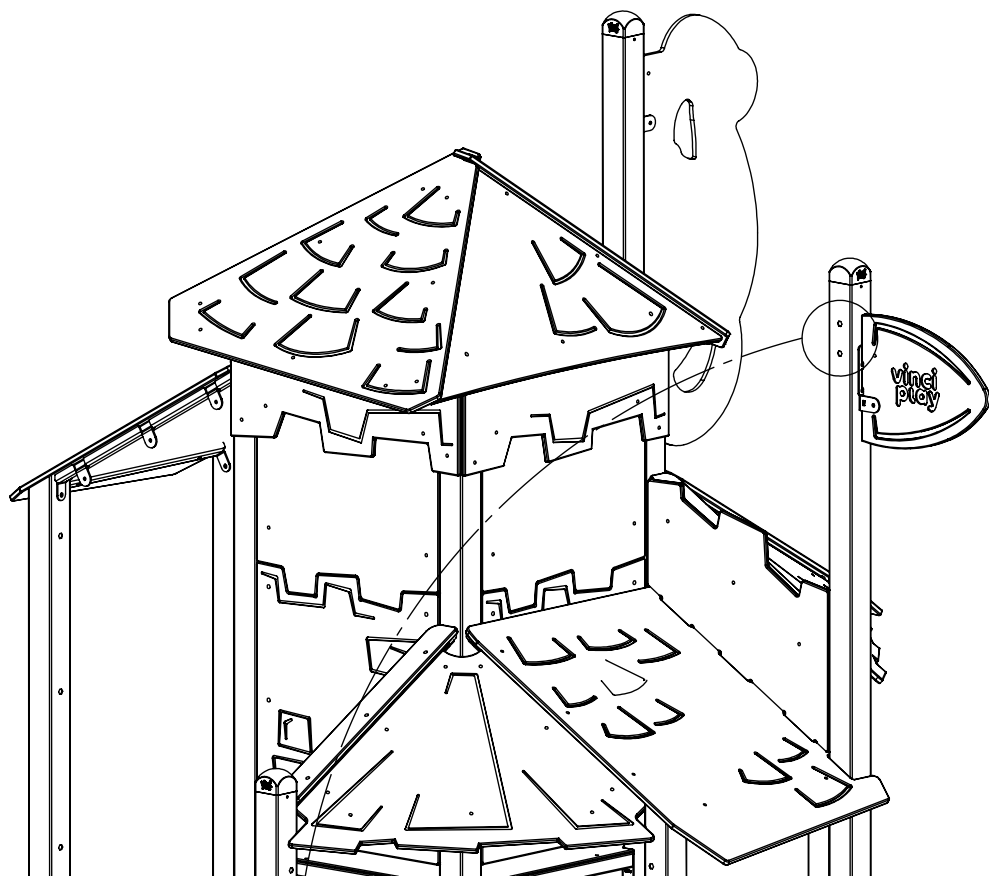


1x 30e083



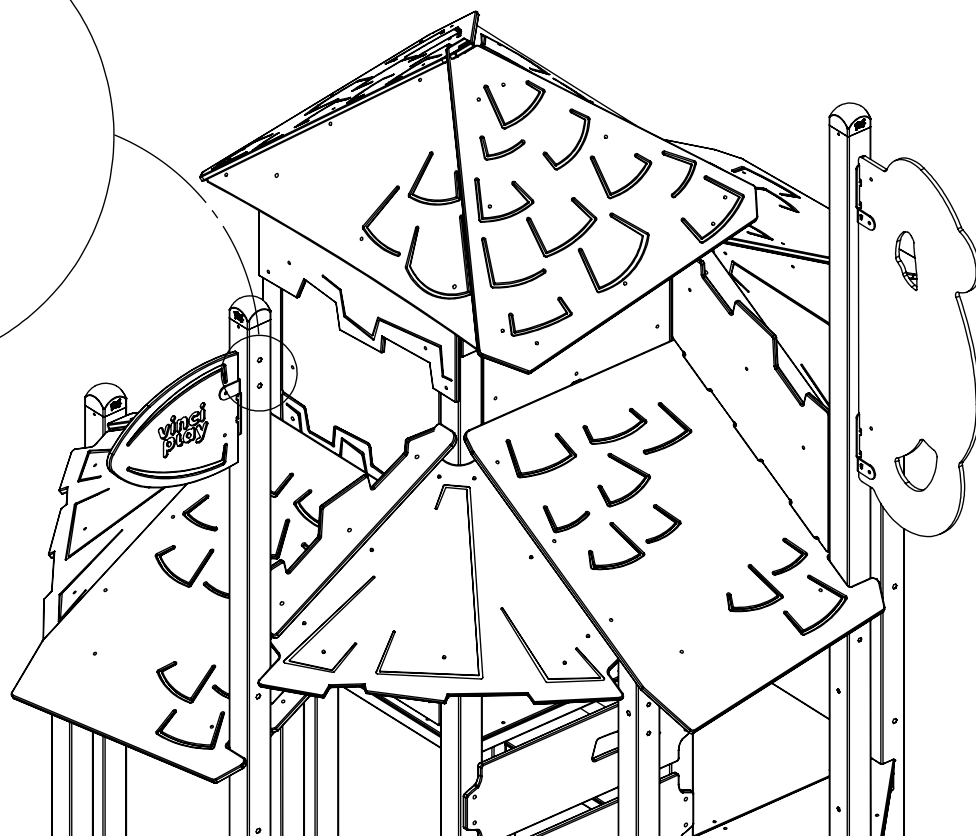
[cm]

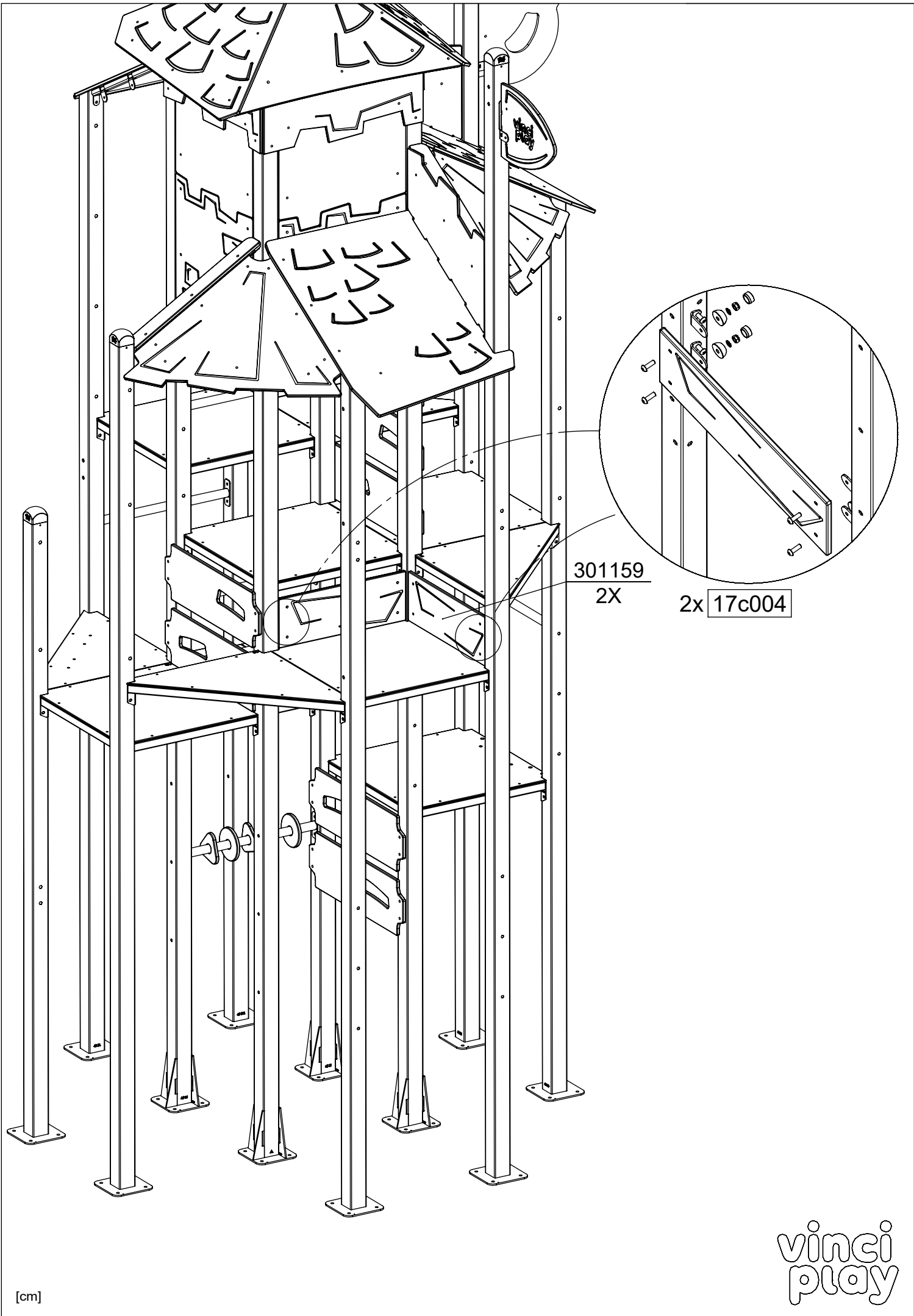
vinci
play



4x 10x25i|k|

4x 10pp



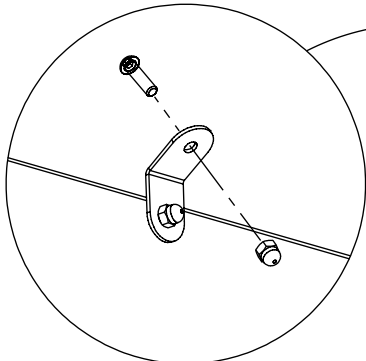


301159
2X

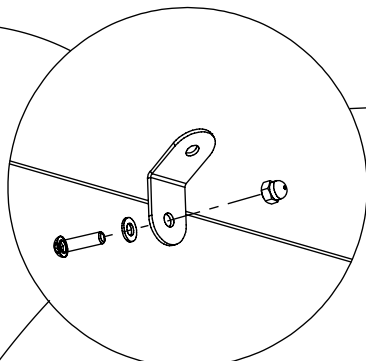
2x 17c004

[cm]

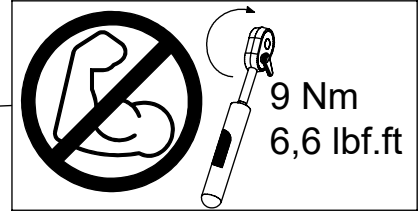
vinci
play



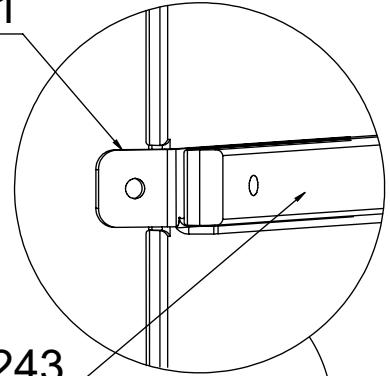
30c148



1x 30e080

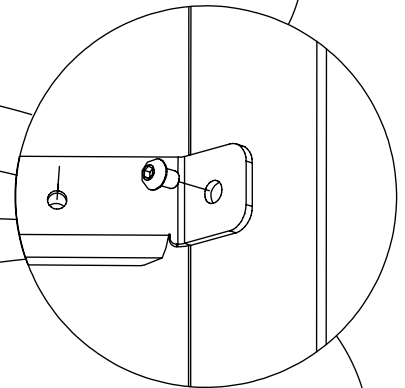
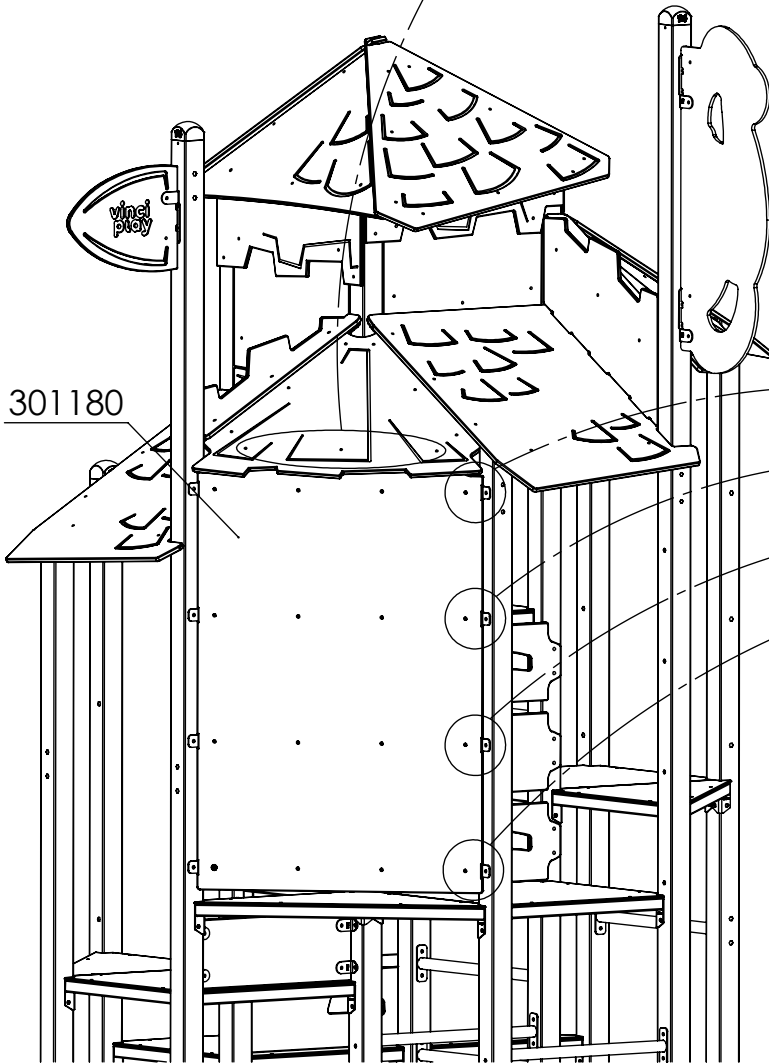


i391

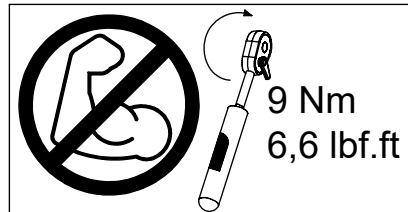
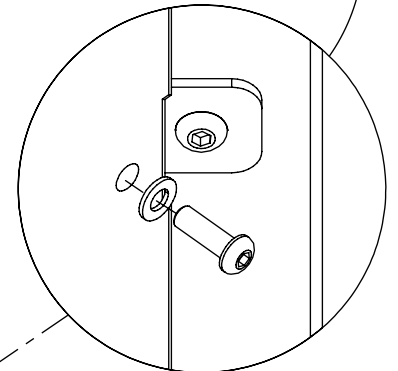


301243

301180

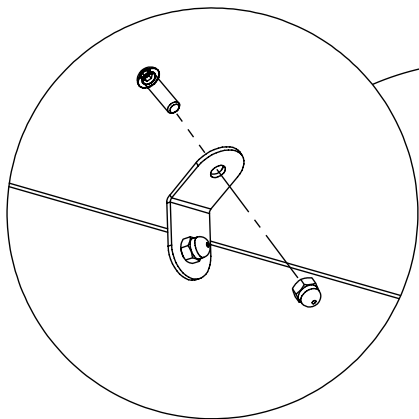


1x 30e072

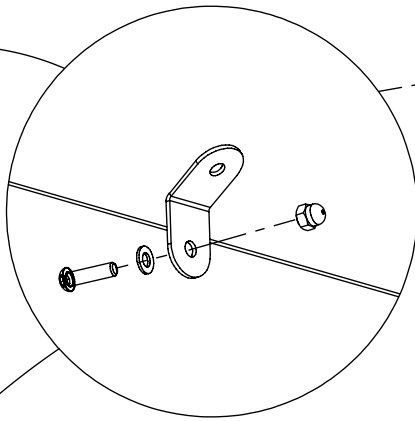


[cm]

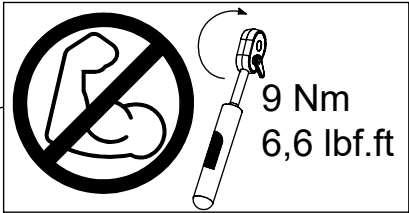
vinci play



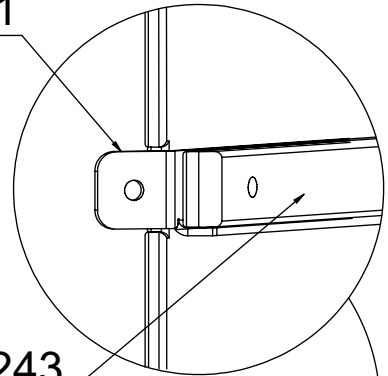
30c148



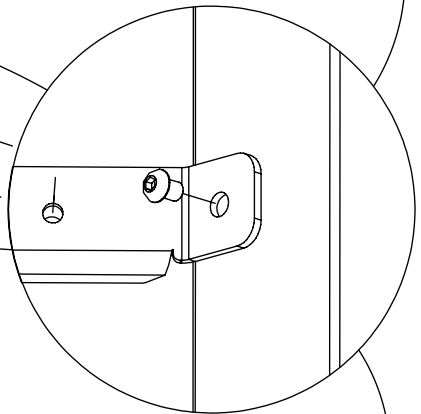
1x 30e080



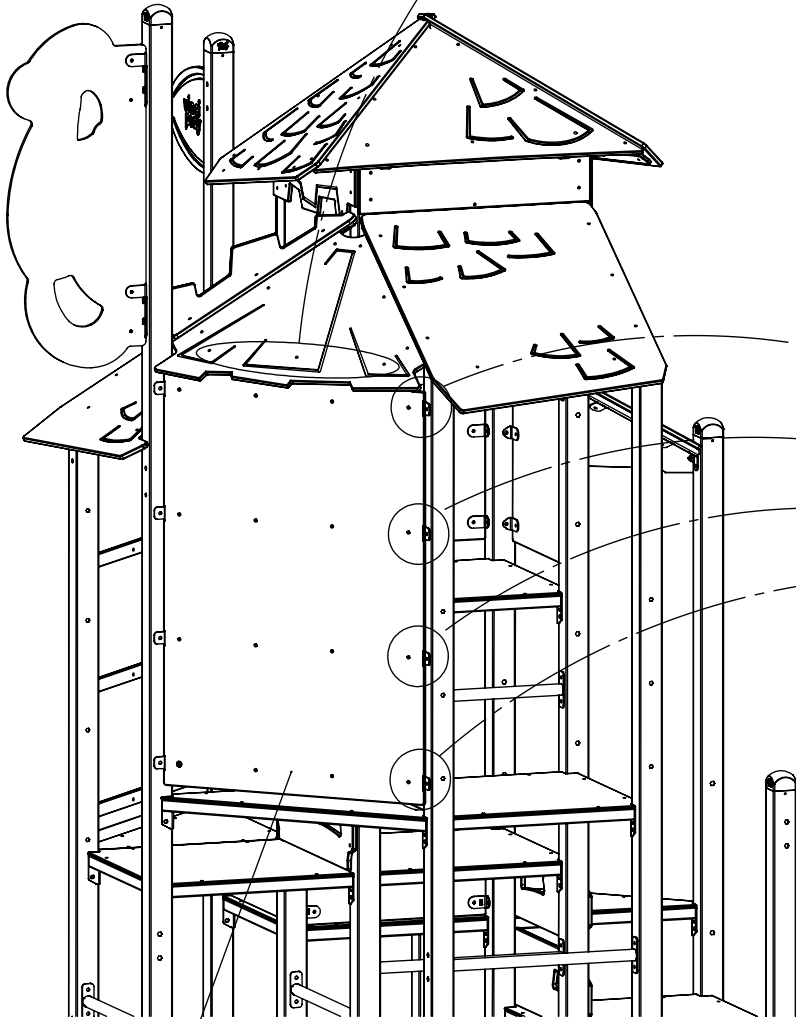
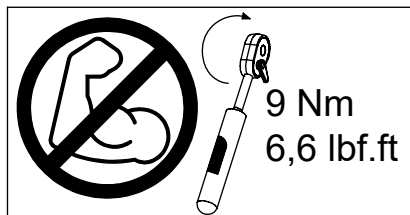
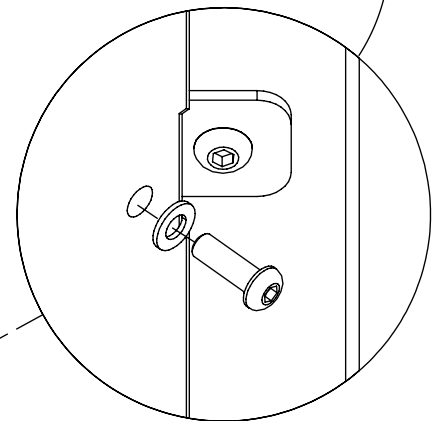
i391



301243



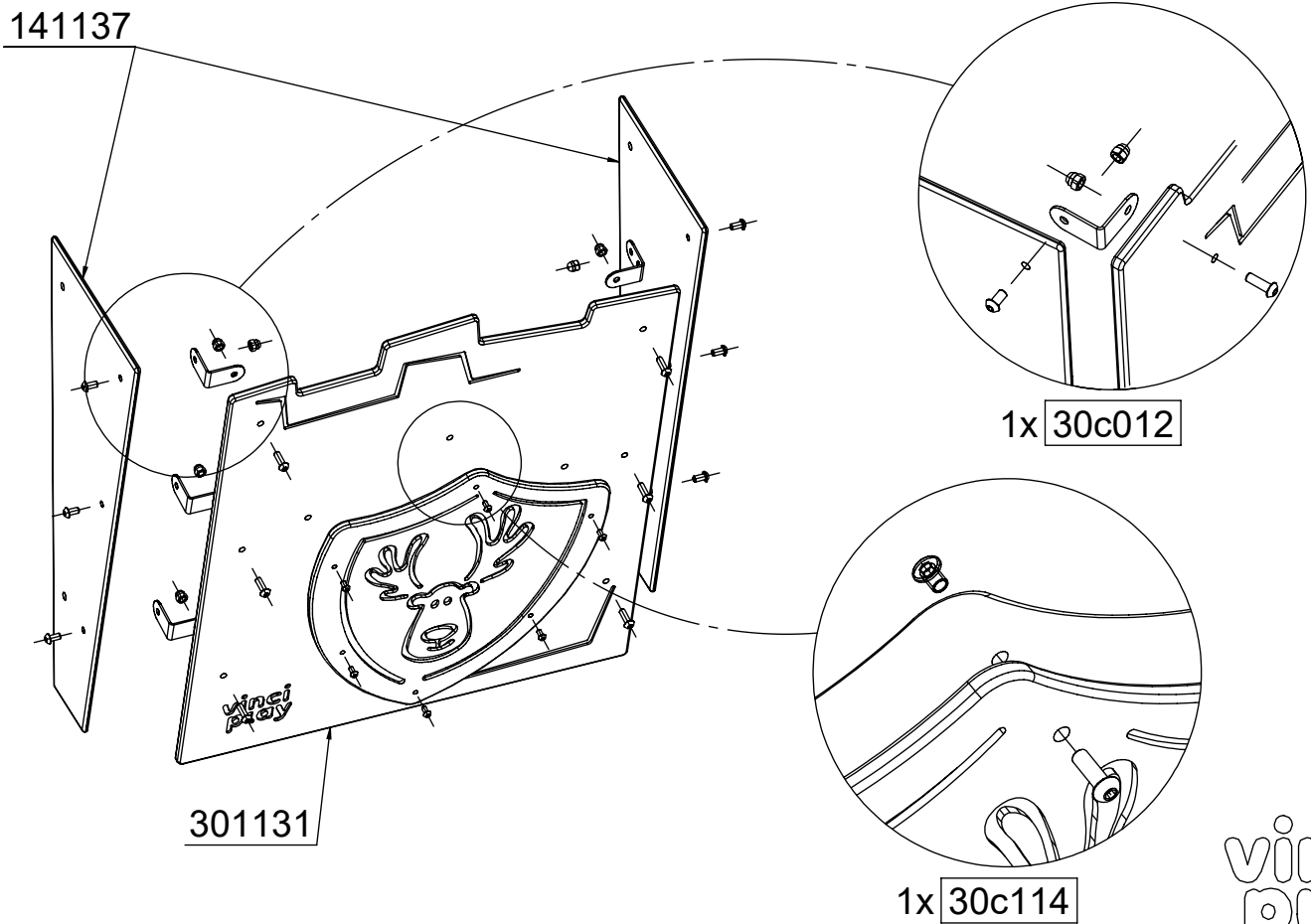
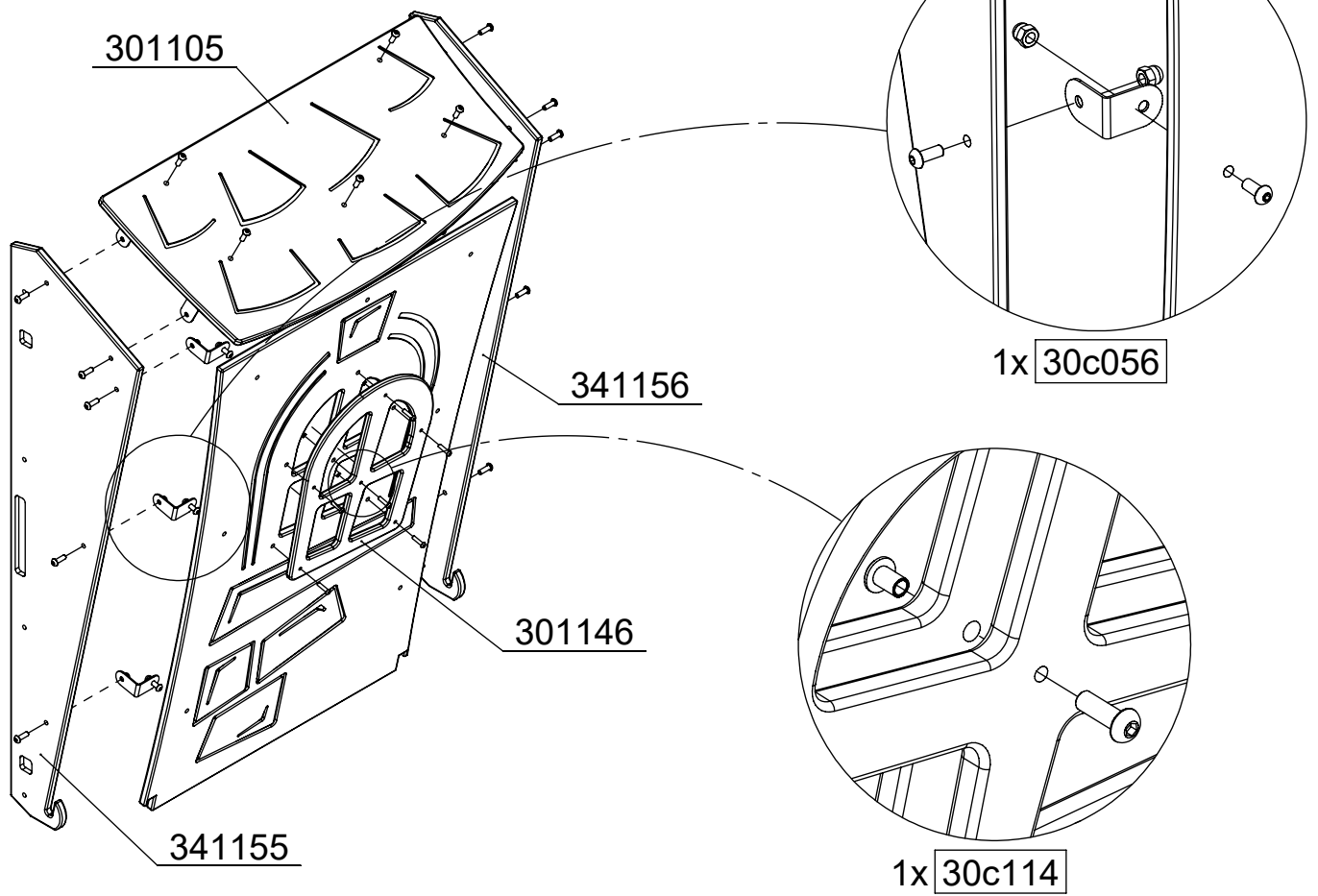
1x 30e072



301161

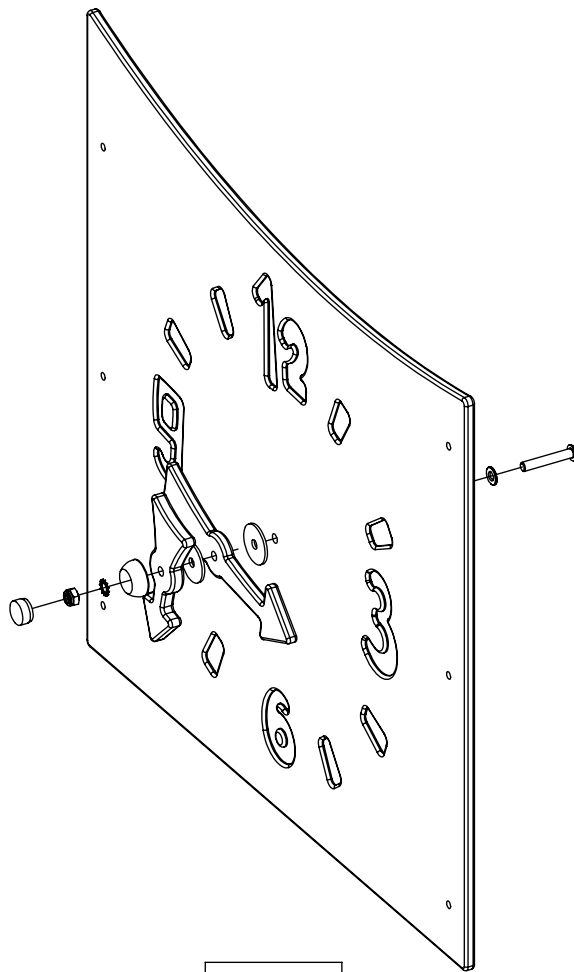
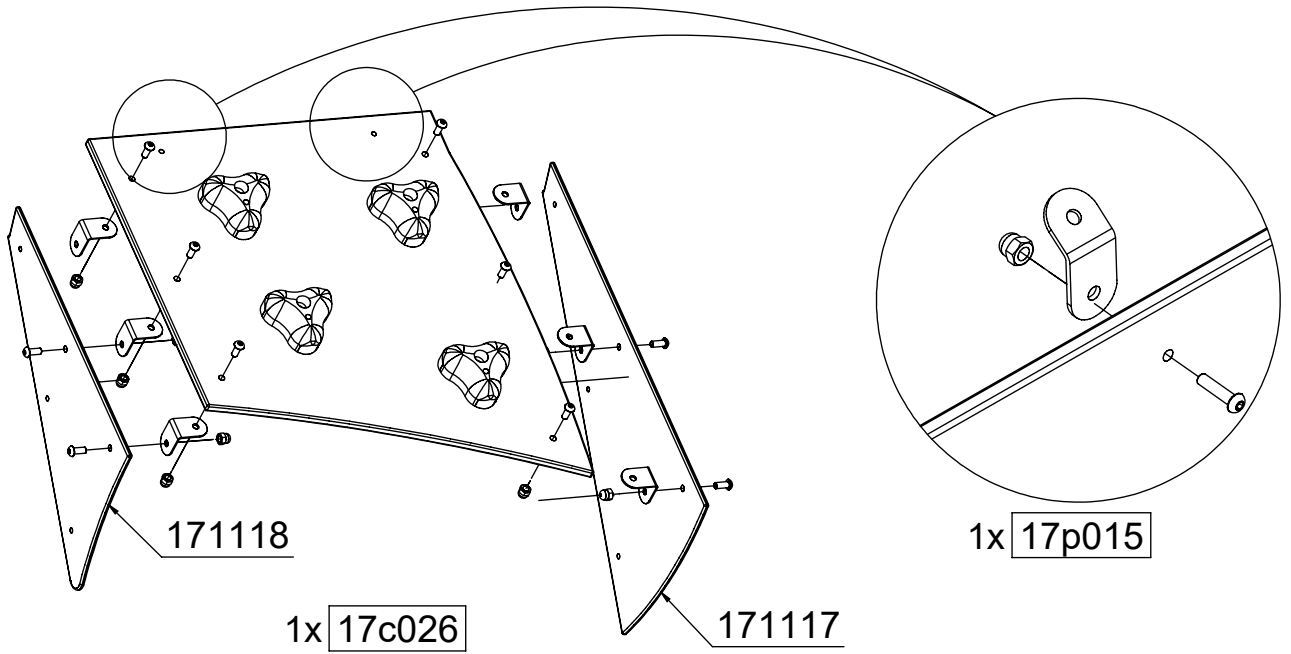
vinci play

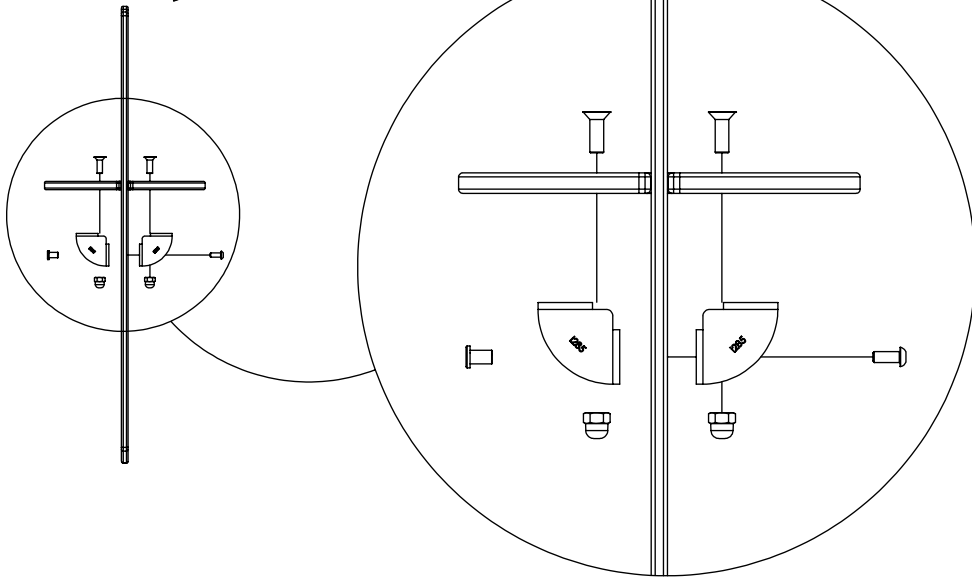
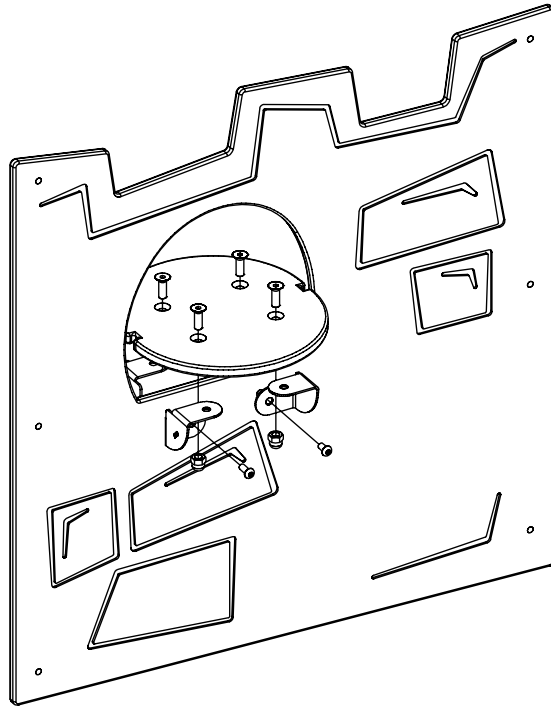
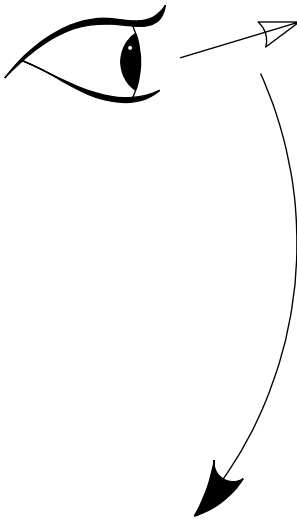
[cm]



[cm]

vinci
play

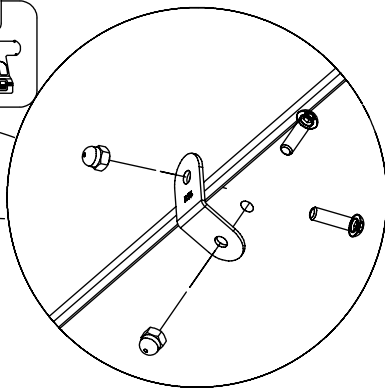




1x 30c120

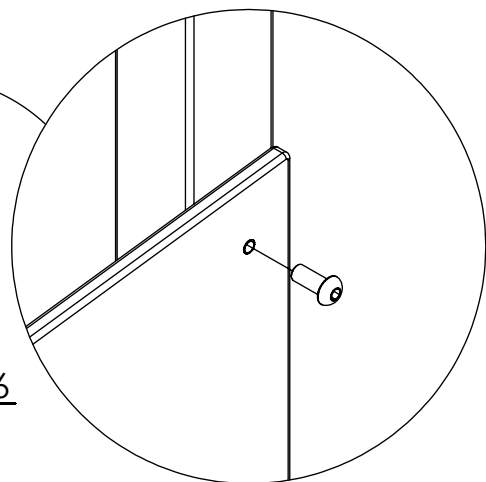
301199

Ø8,5

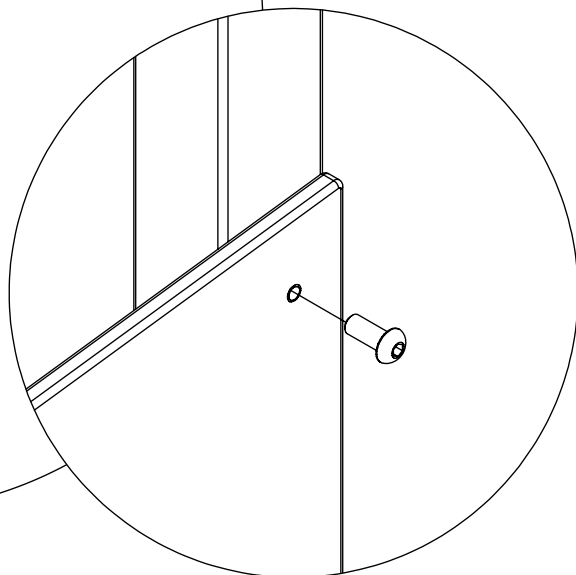
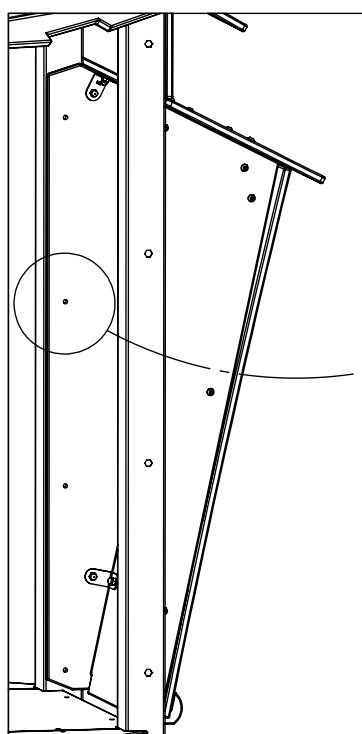


2x 30c124

301126



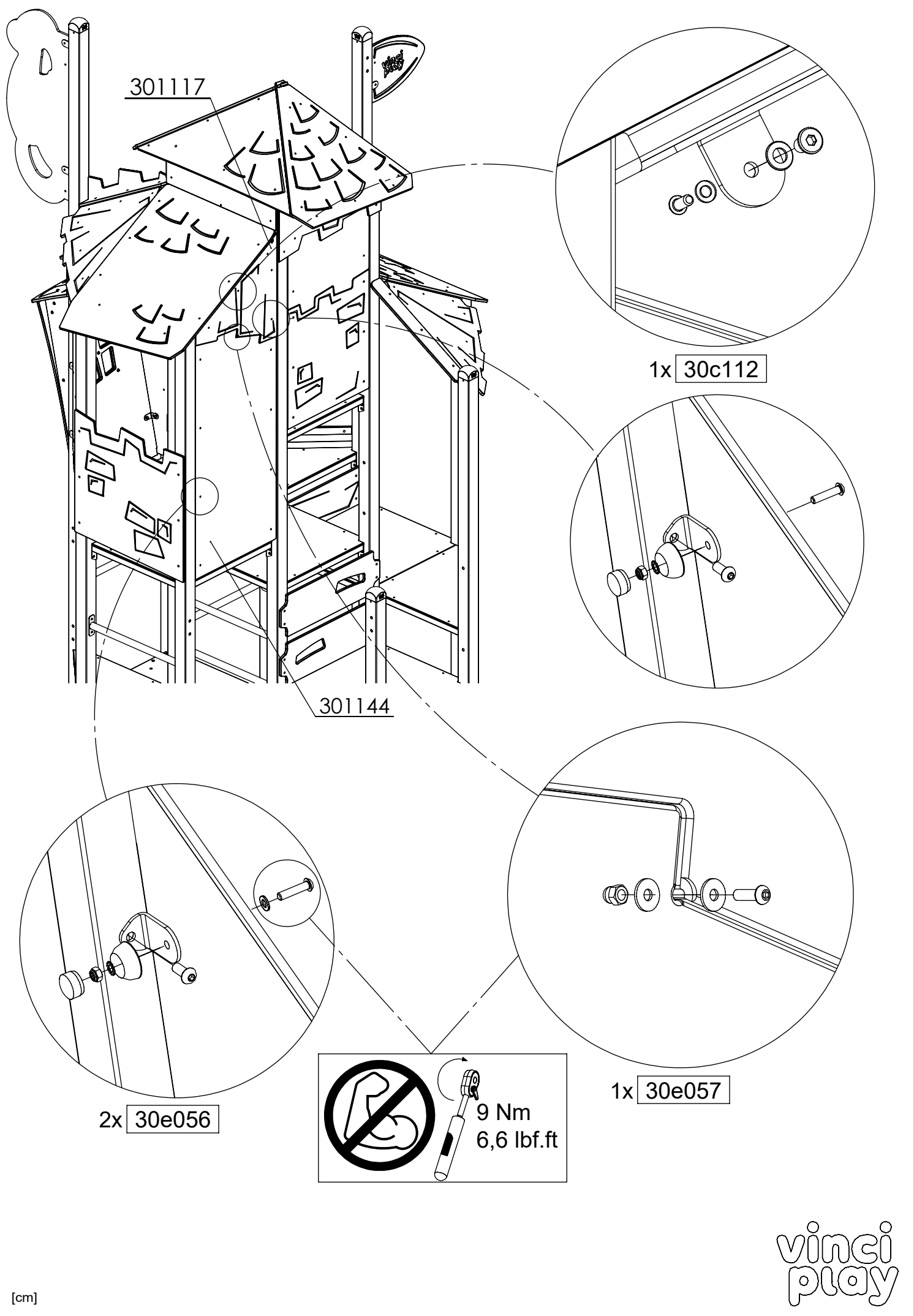
6x 8x25i



12x 8x30i

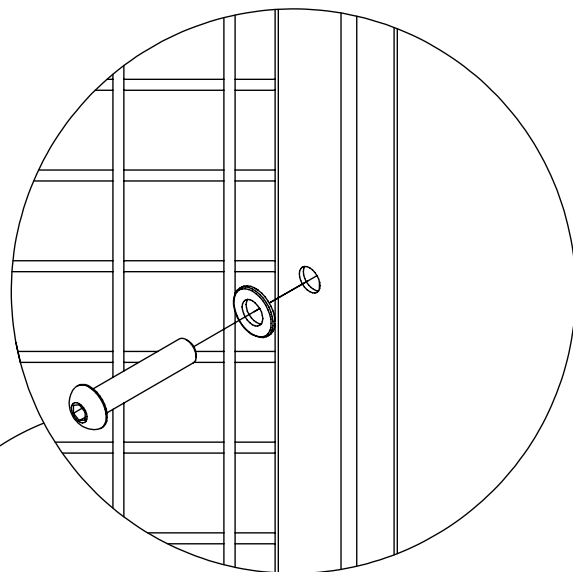
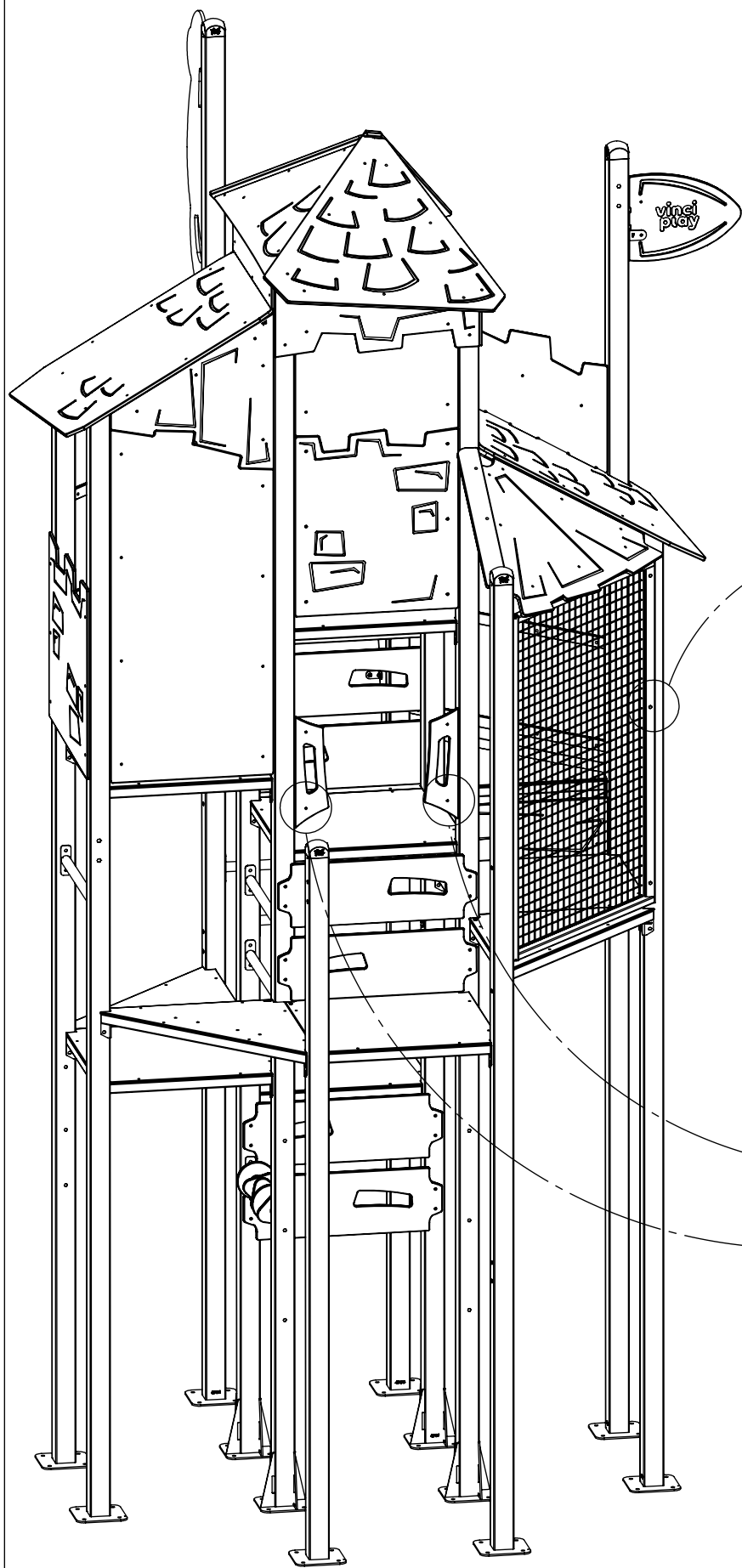
[cm]

vinci
play

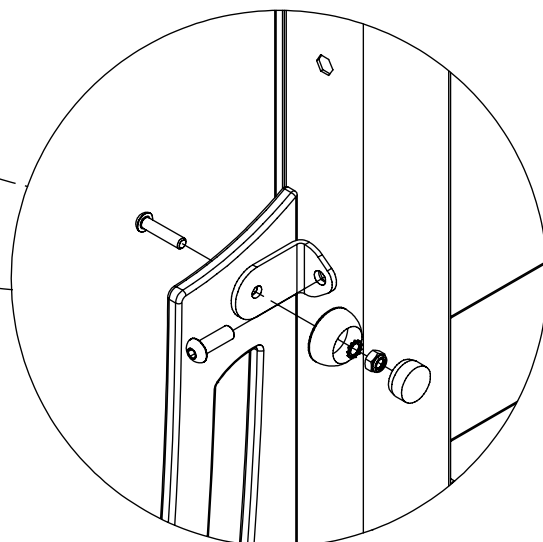


[cm]

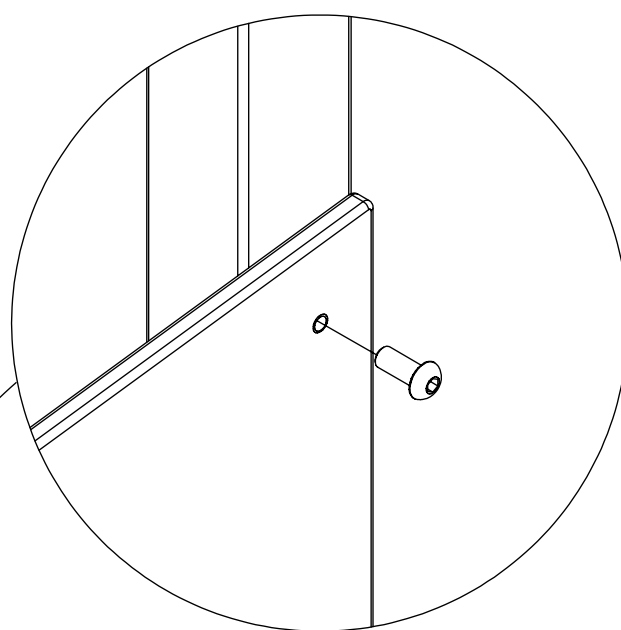
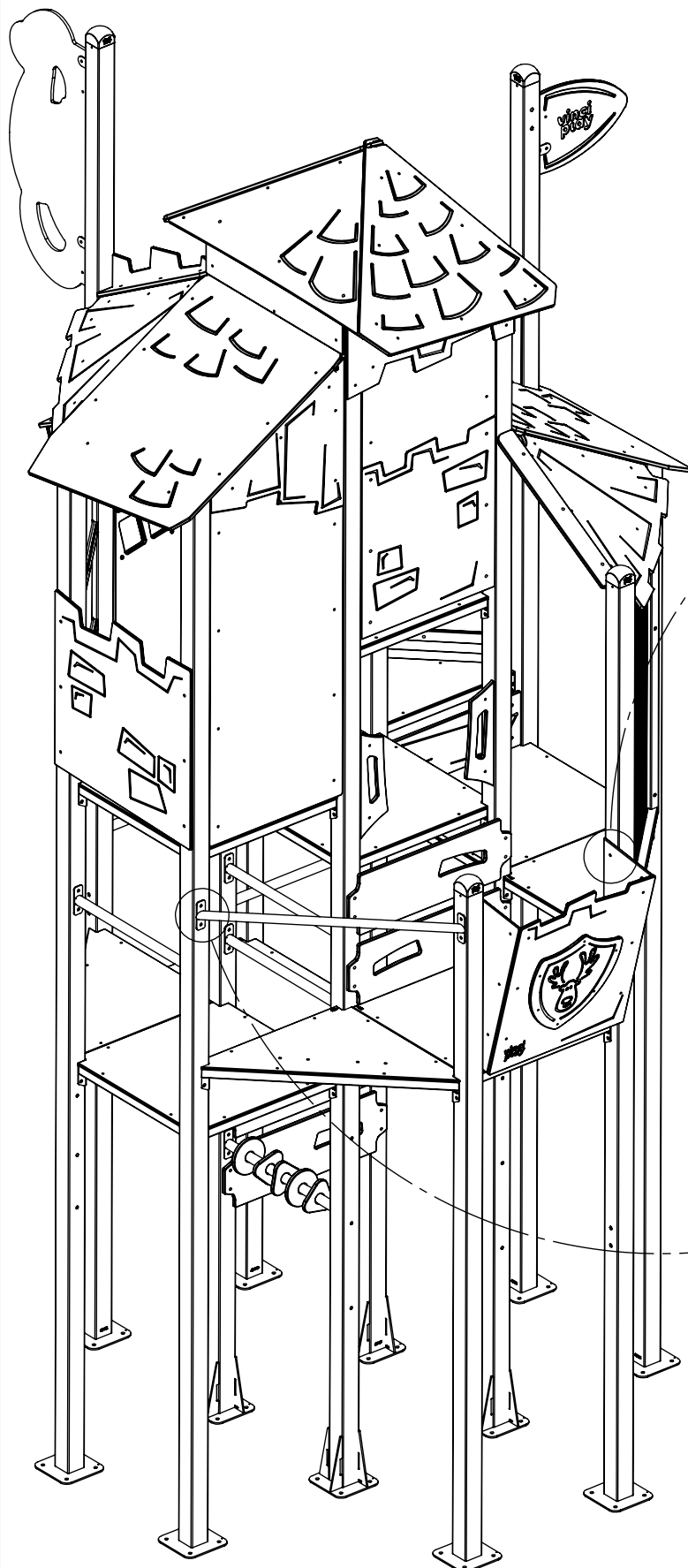
vinci
play



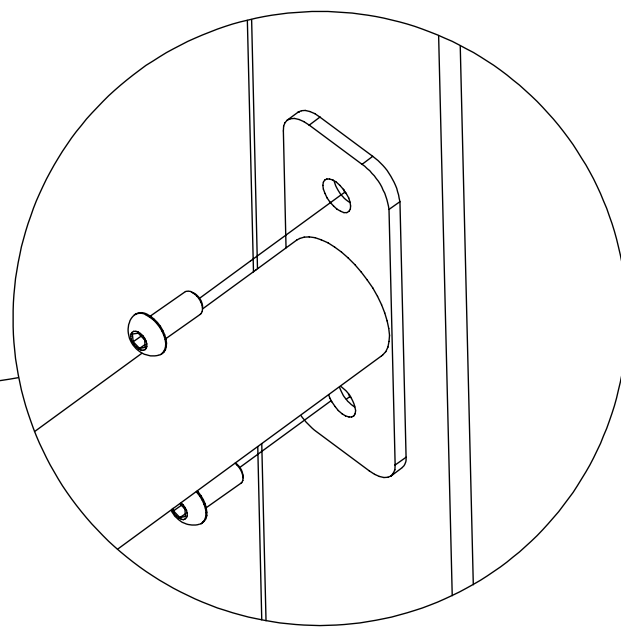
1x 30e032



1x 17c004



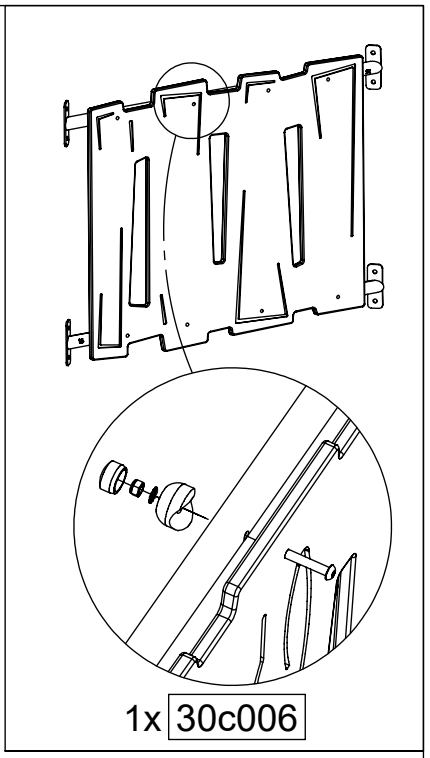
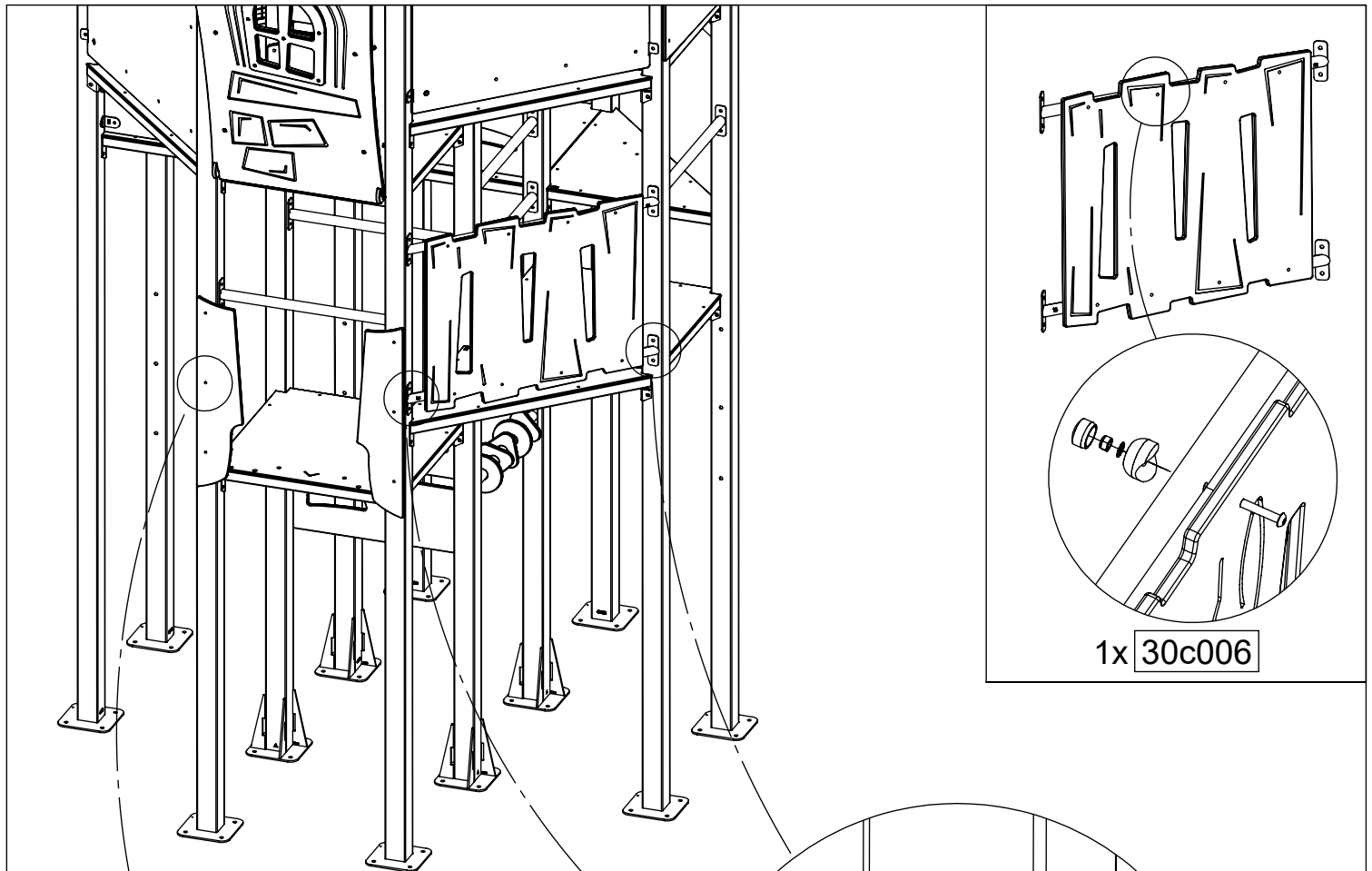
4x 10x25ikl



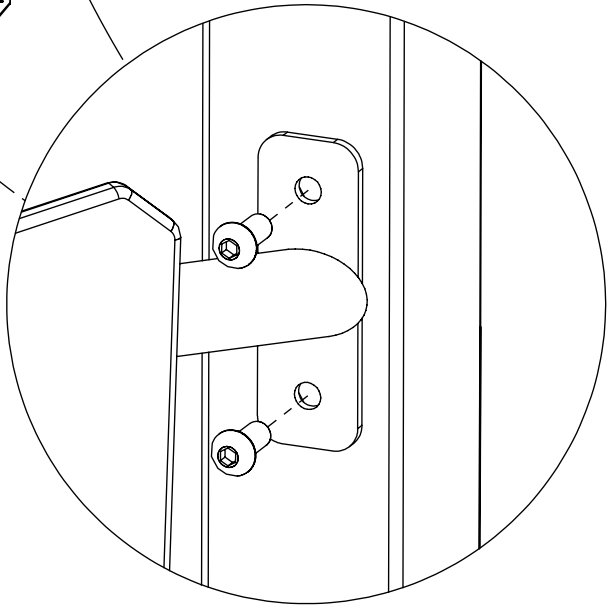
4x 10x25ikl

[cm]

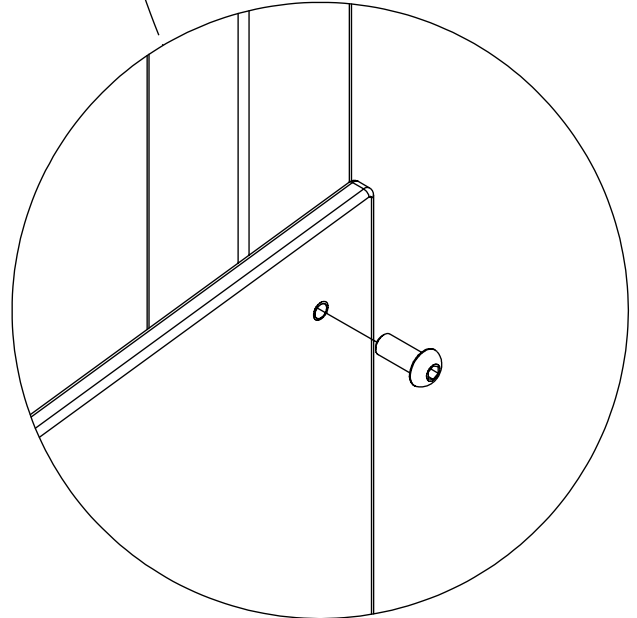
vinci
play



1x 30c006



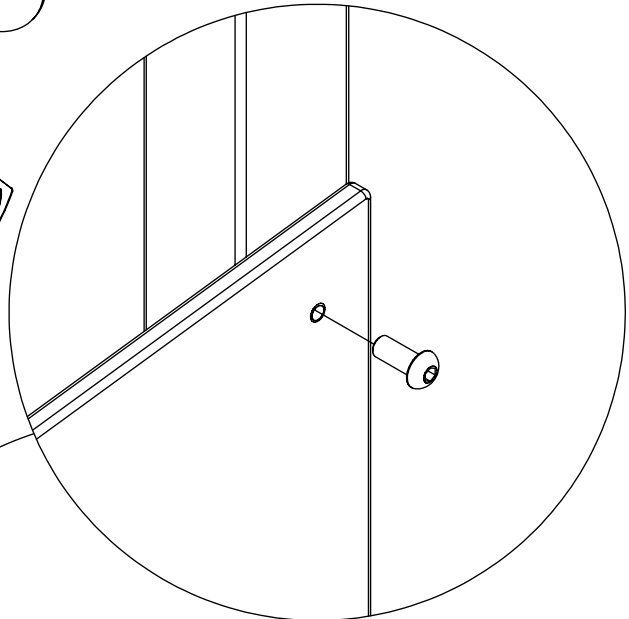
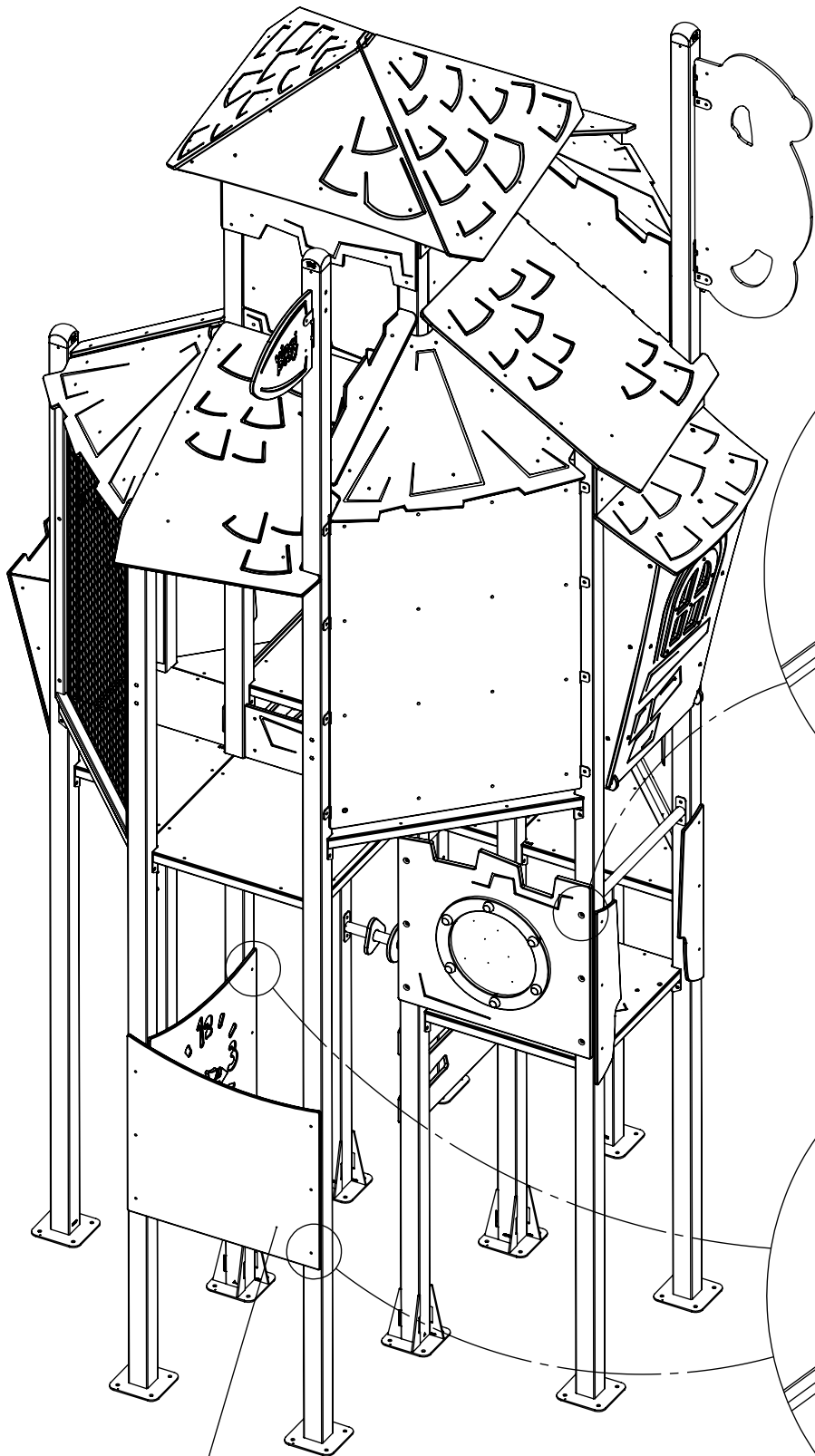
8x 10x25ikl



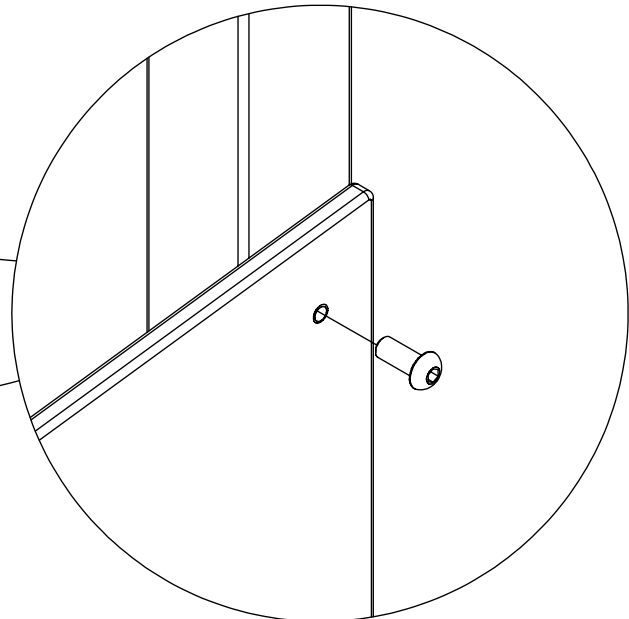
6x 8x25ikl

[cm]

vinci
play



6x 8x30ikl

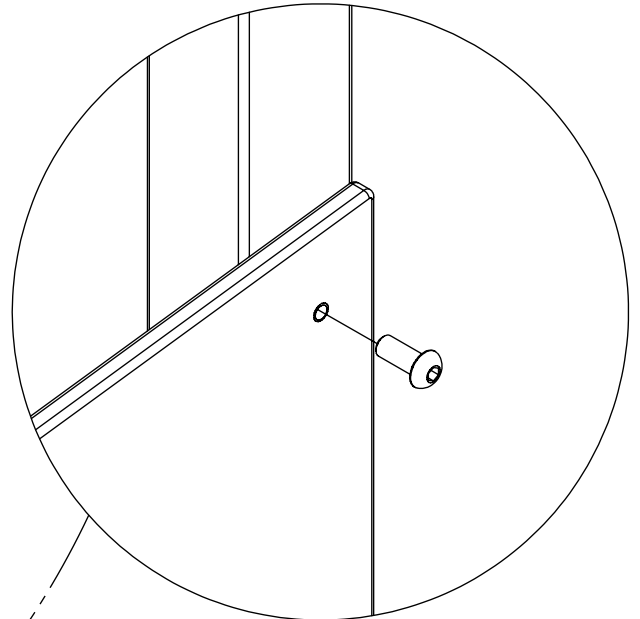
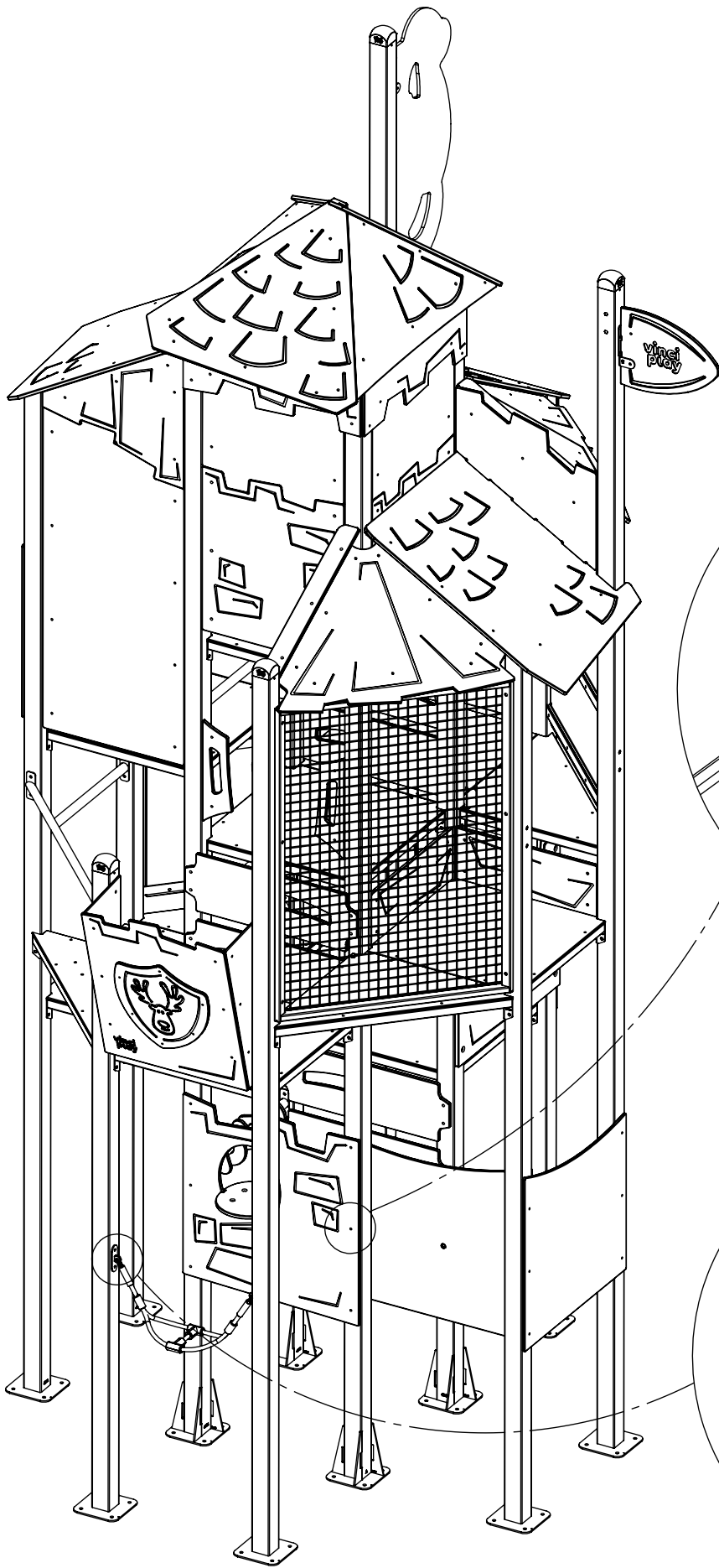


12x 8x25ikl

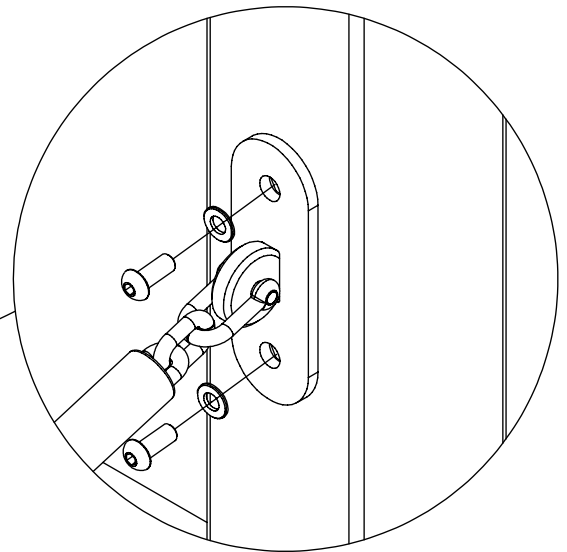
171138

[cm]

vinci
play



6x 8x30ikl

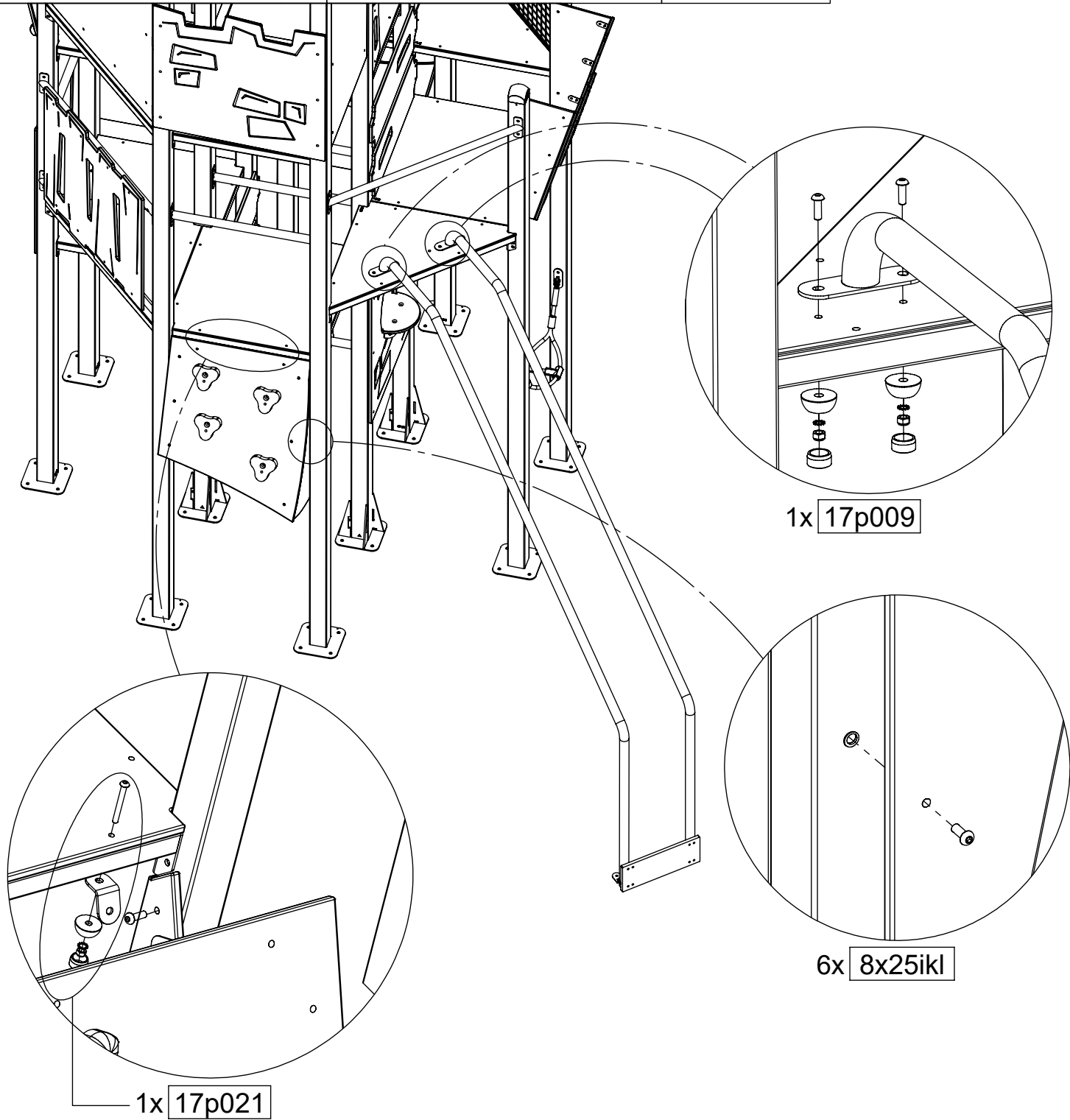
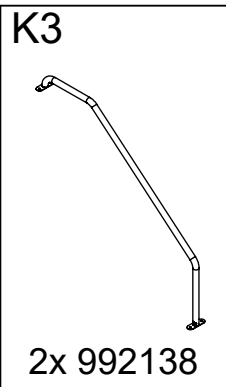
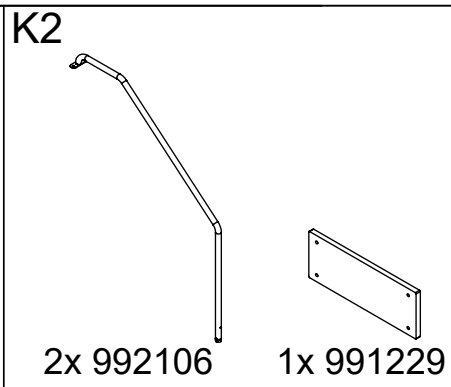
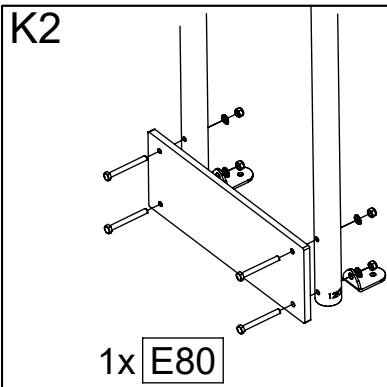


1x 17e050

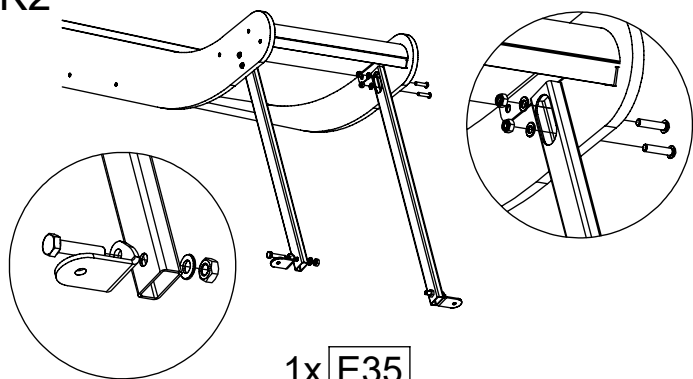
4x 10x25ikl

4x 10pp

vinci
play

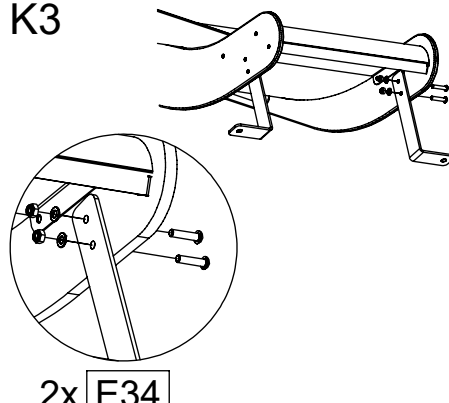


K2

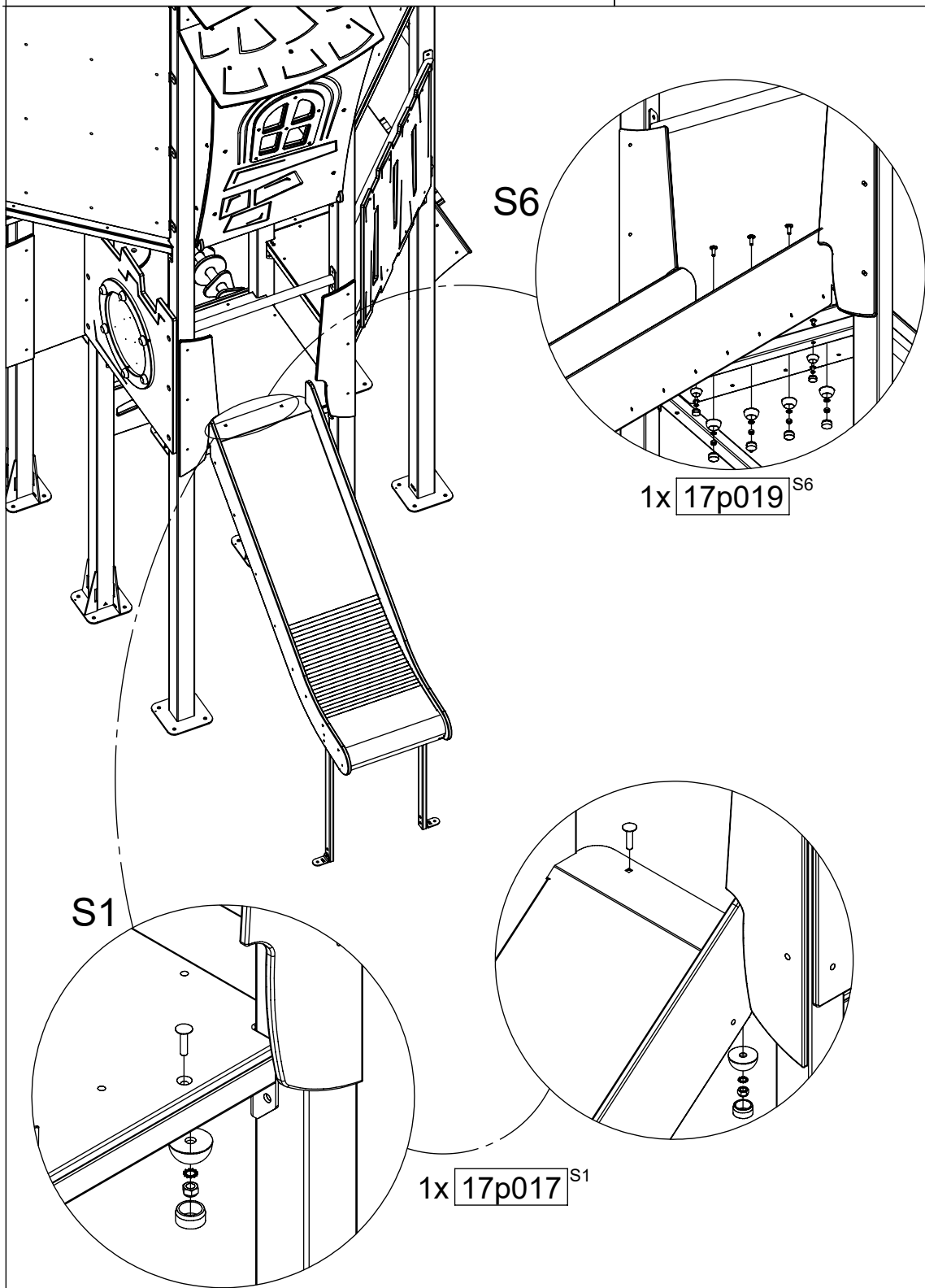


1x E35

K3



2x E34



S6

1x 17p019^{S6}

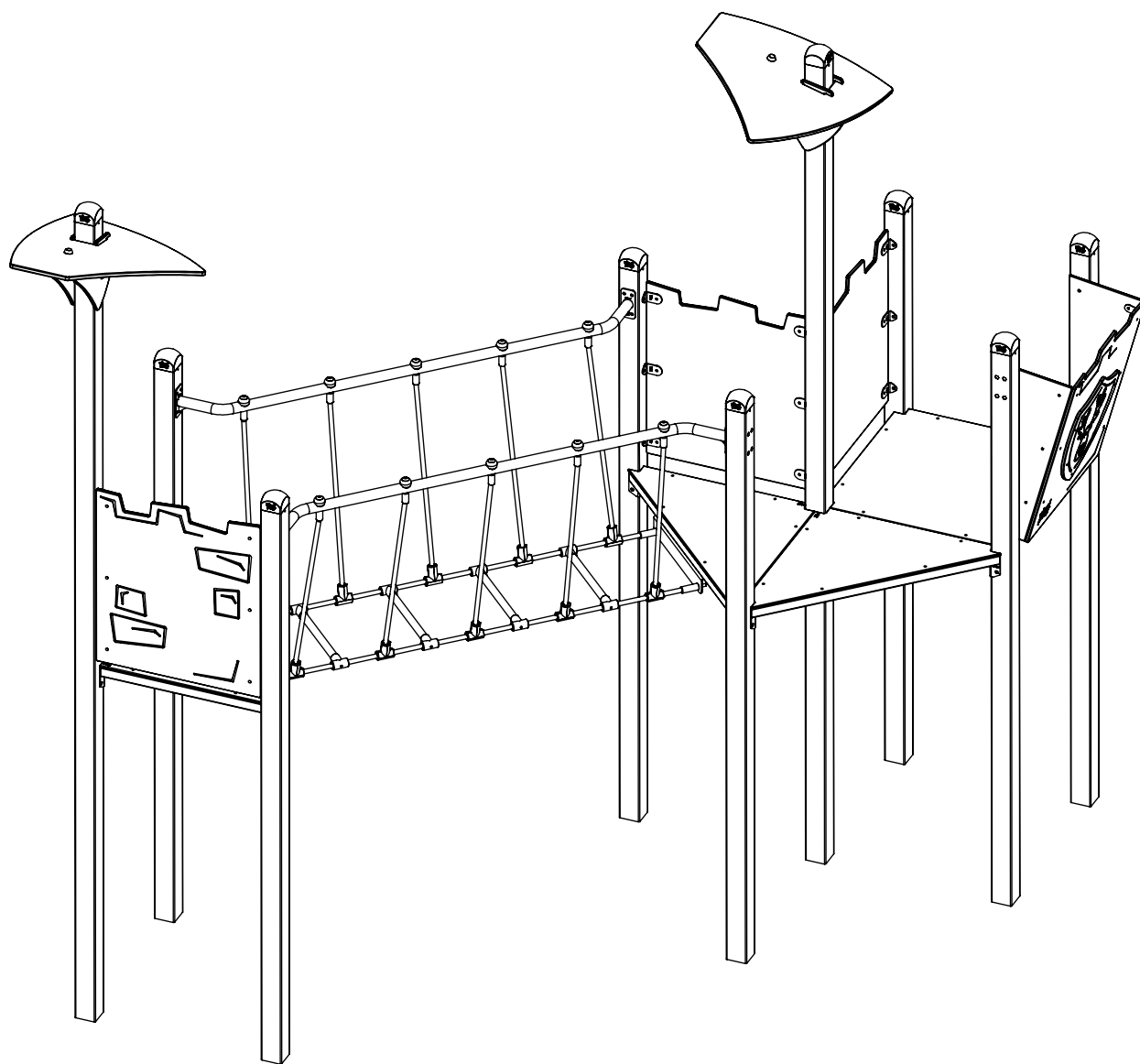
S1

1x 17p017^{S1}

[cm]

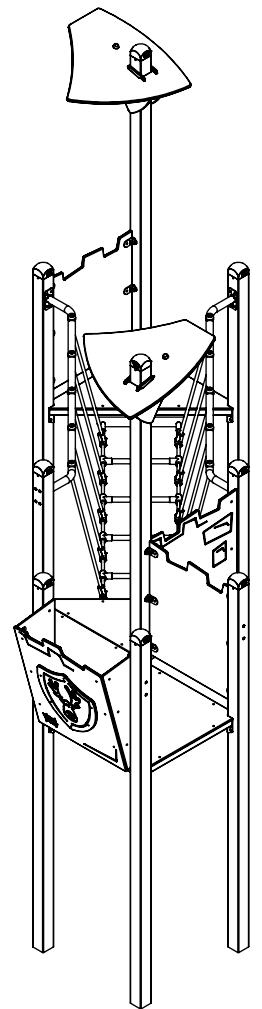
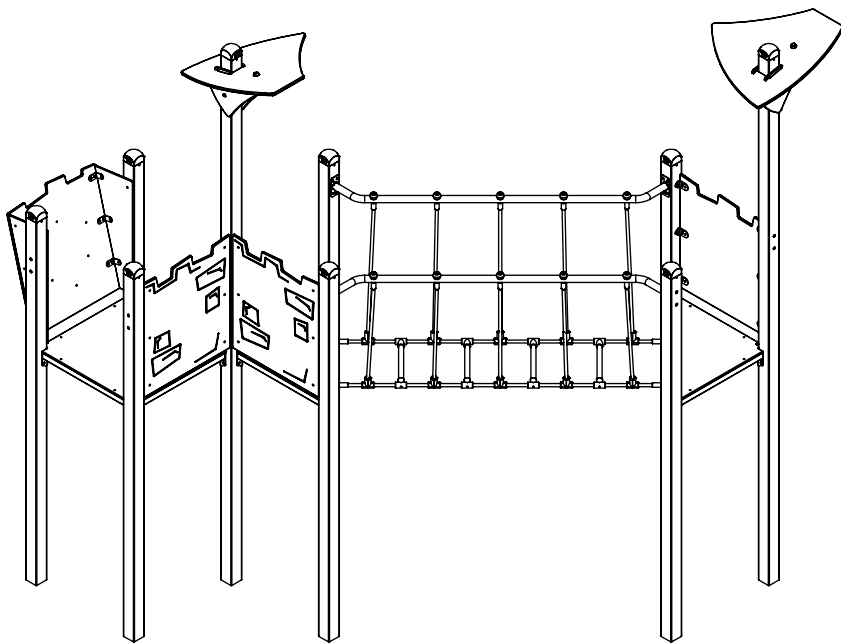
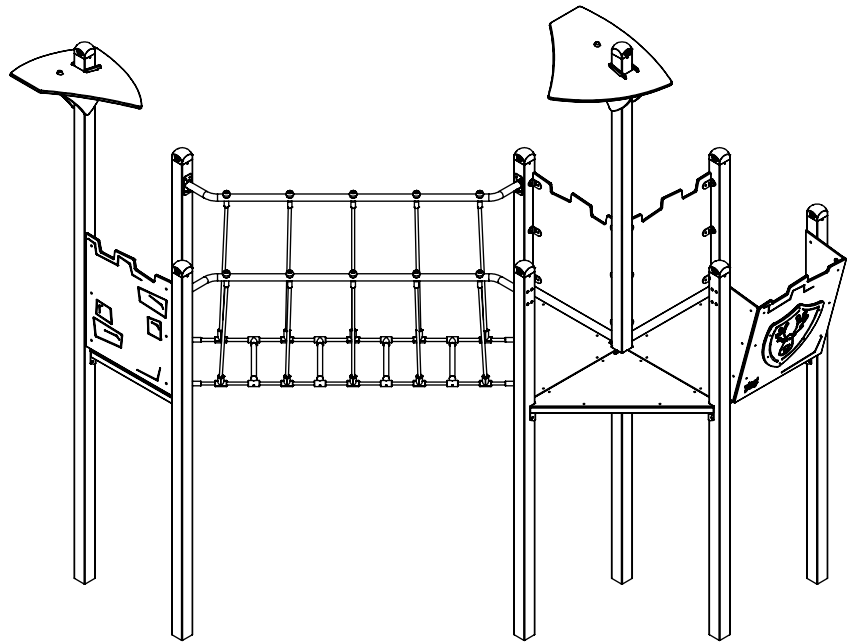
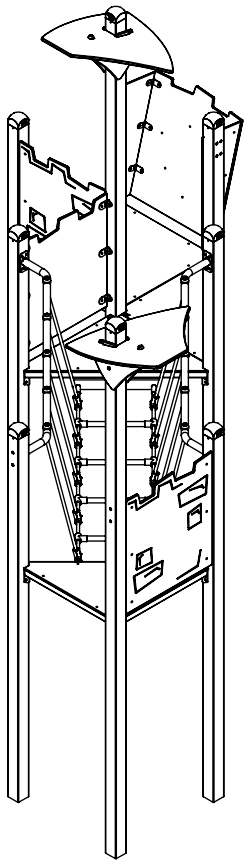
vinci
play

3045-1.04



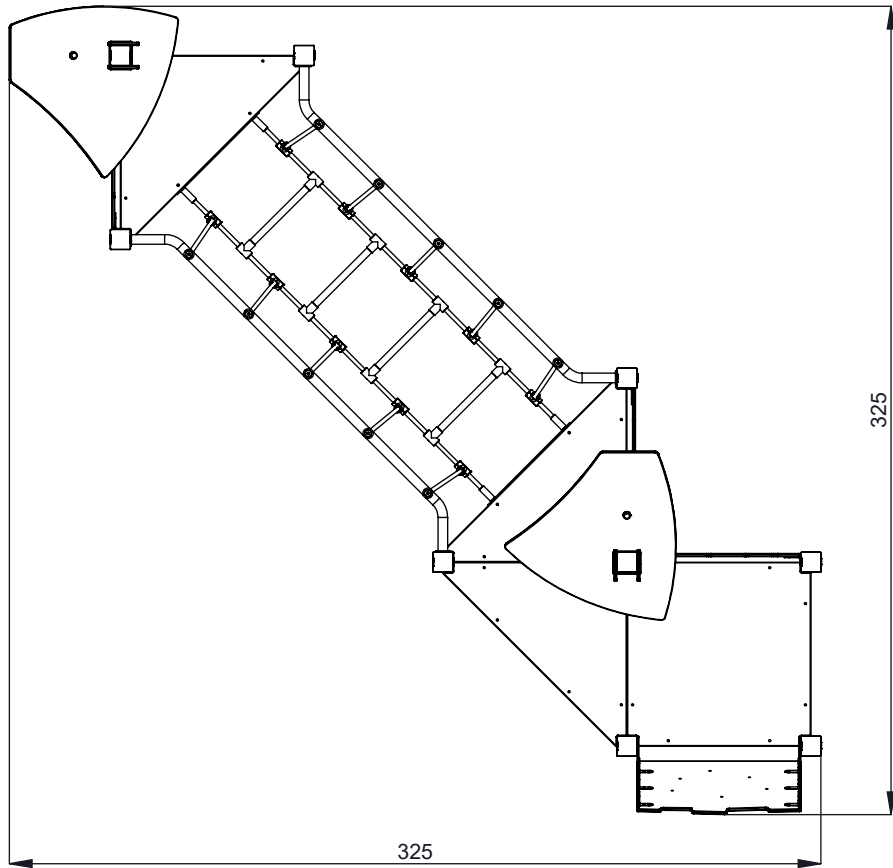
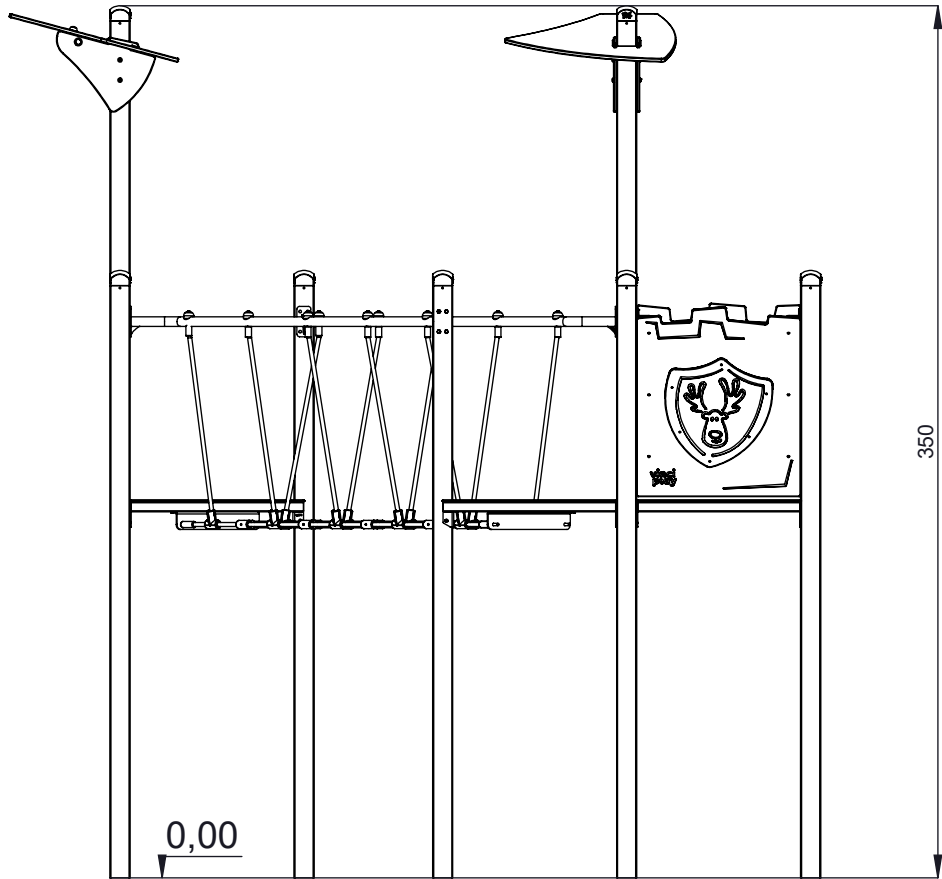
[cm]

vinci
play



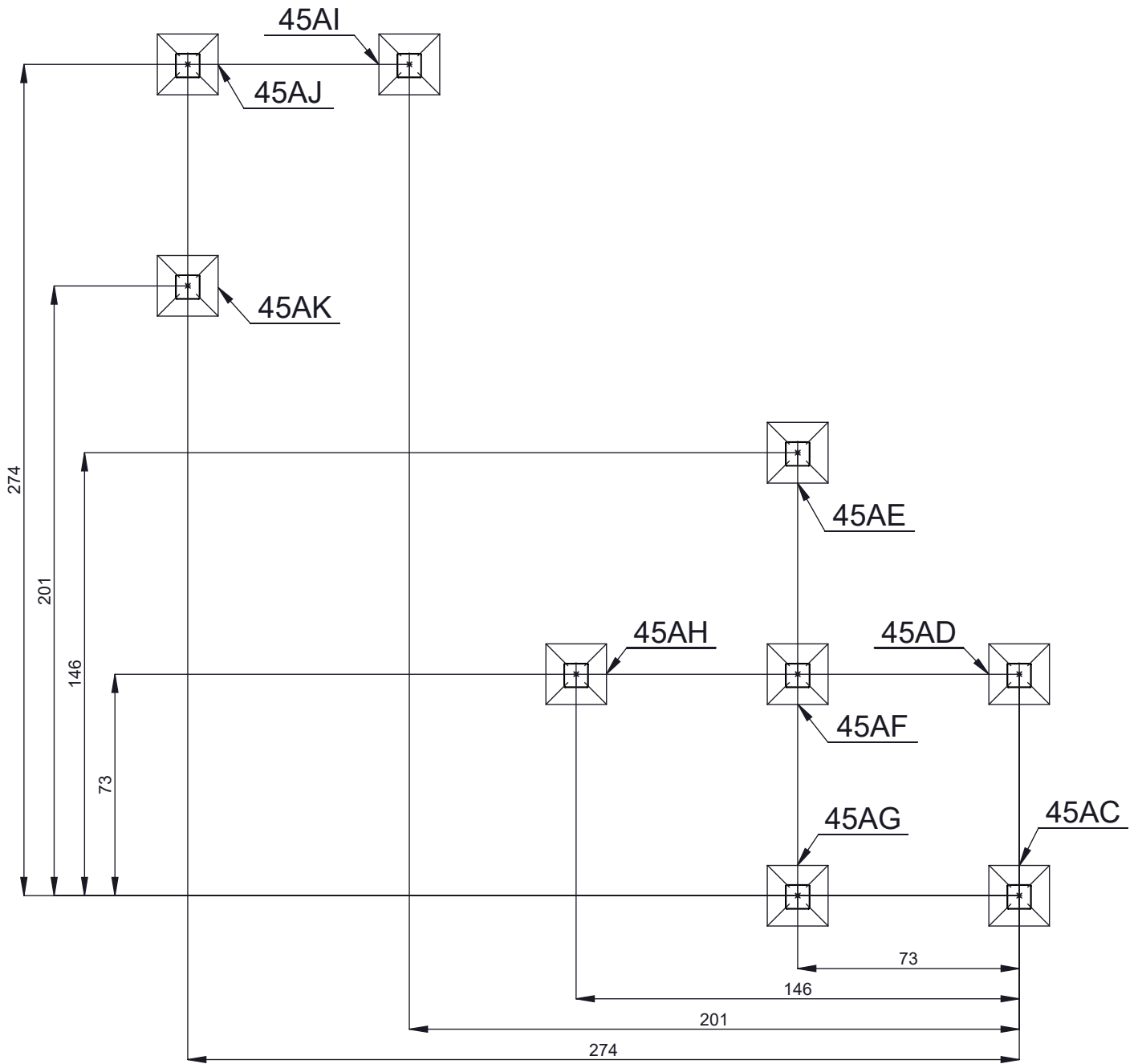
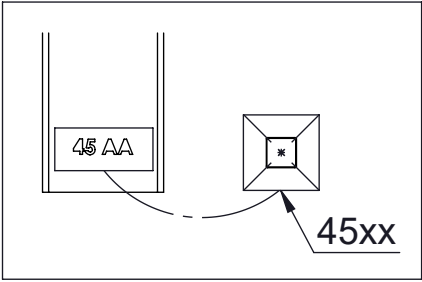
[cm]

vinci
play



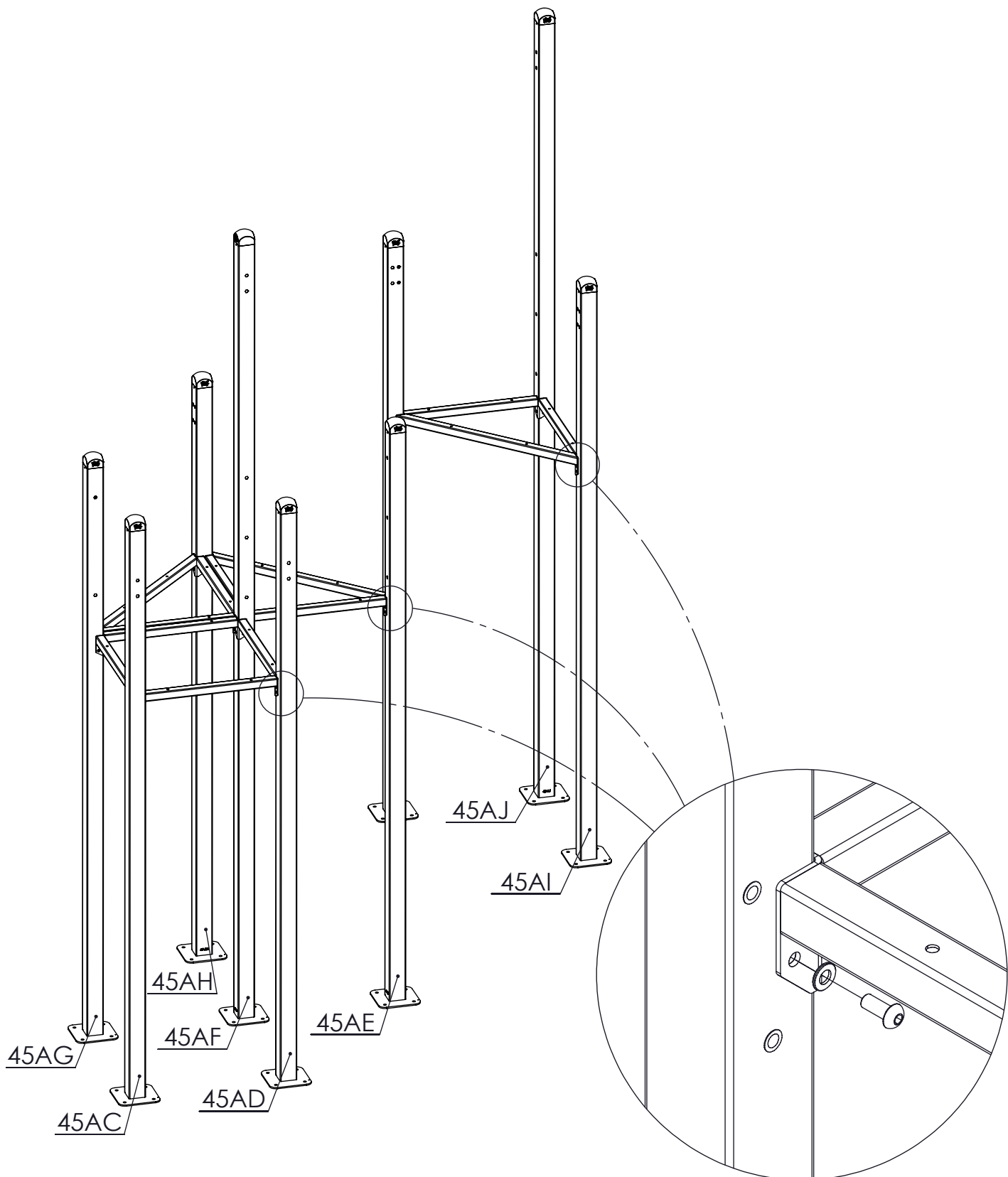
[cm]

vinci
play



[cm]

vinci
play

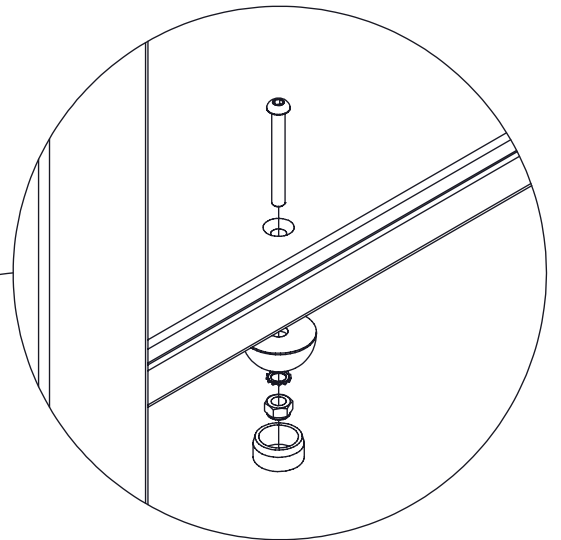
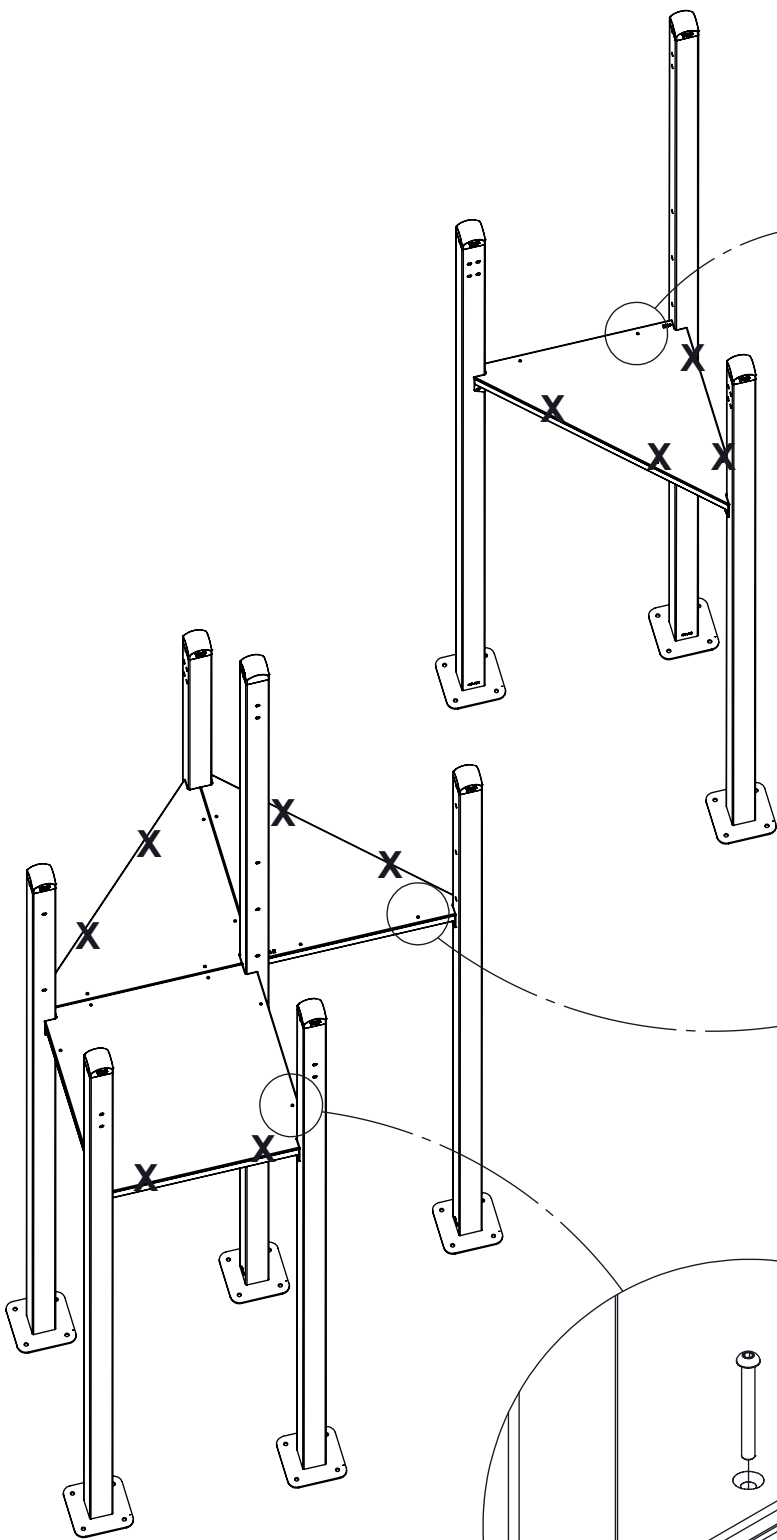


26x 10x25ikl

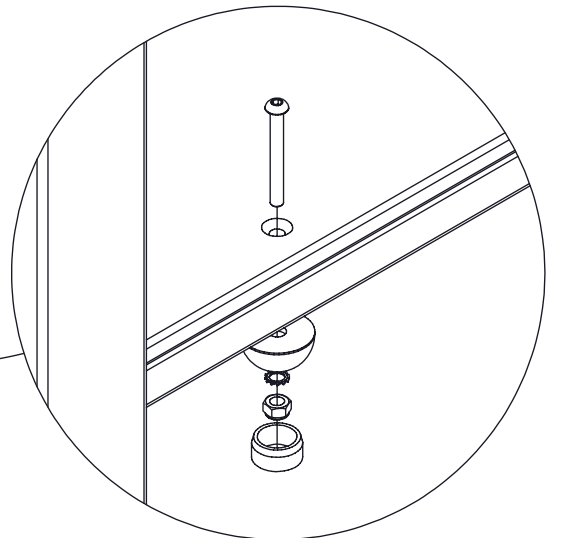
26x 10pp

[cm]

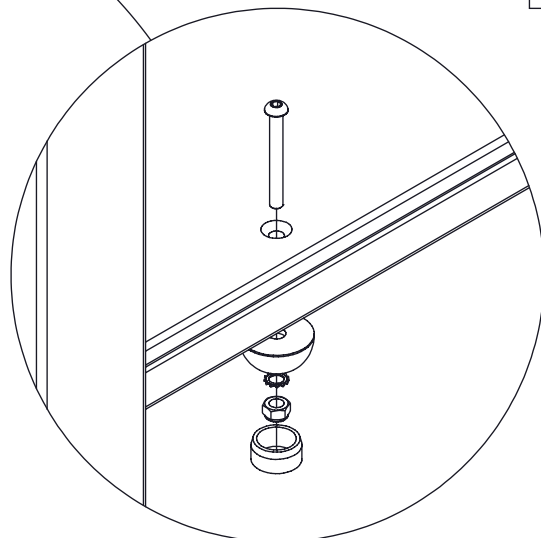
vinci
play



1x 17p001

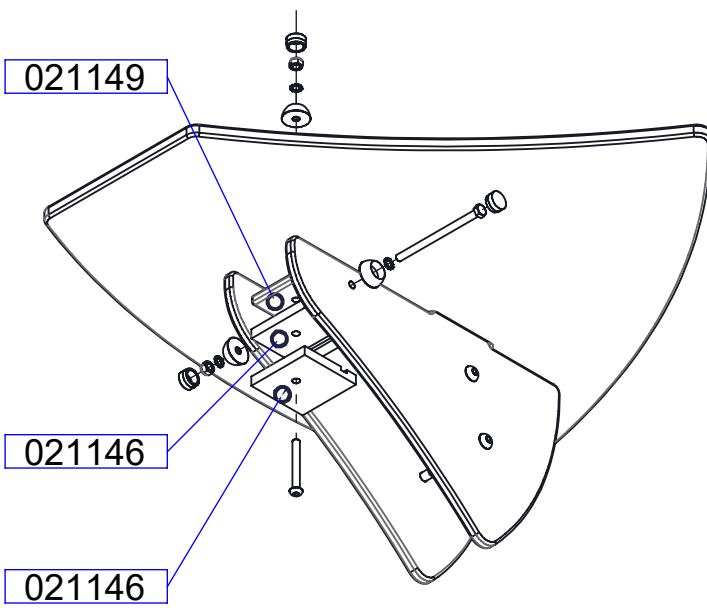
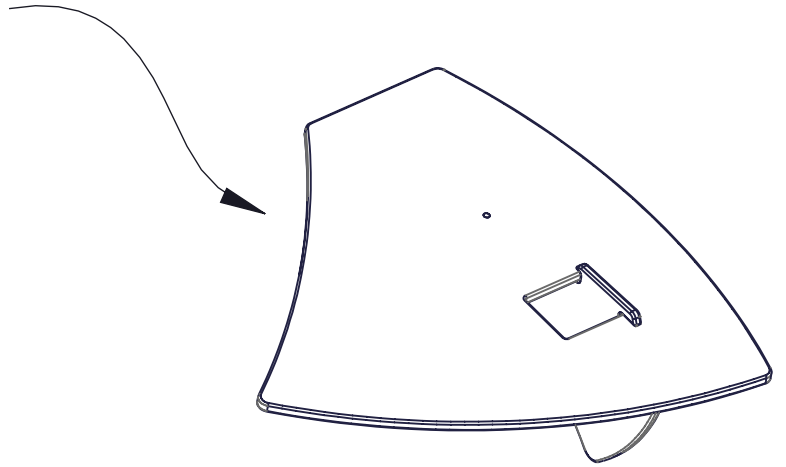
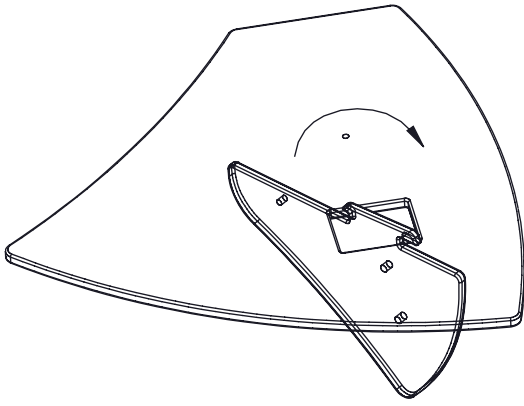


2x 17p003

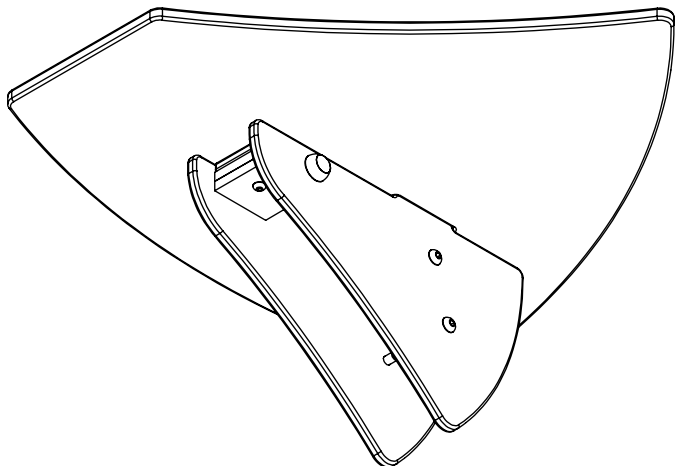


1x 17p005

x2



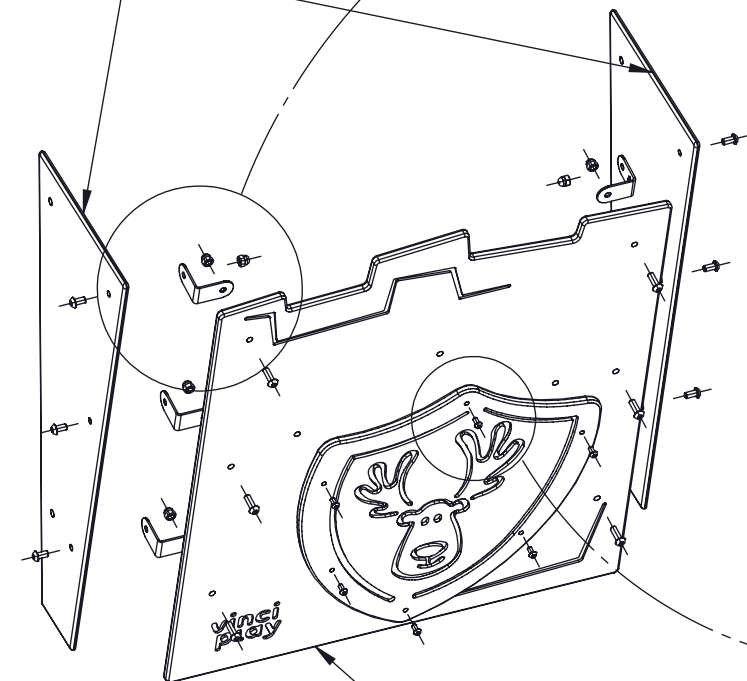
1x 17c032



[cm]

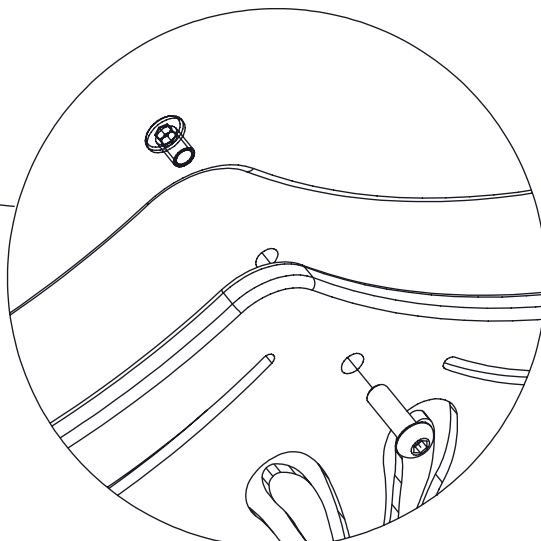
vinci
play

141137



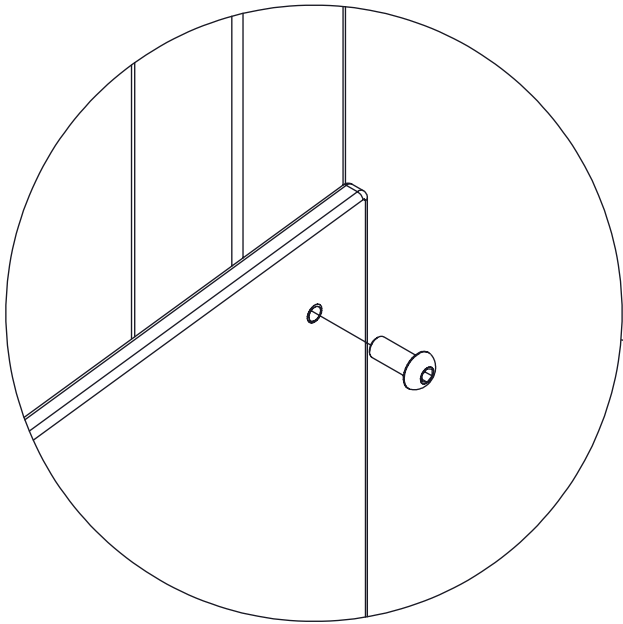
1x 30c012

301131



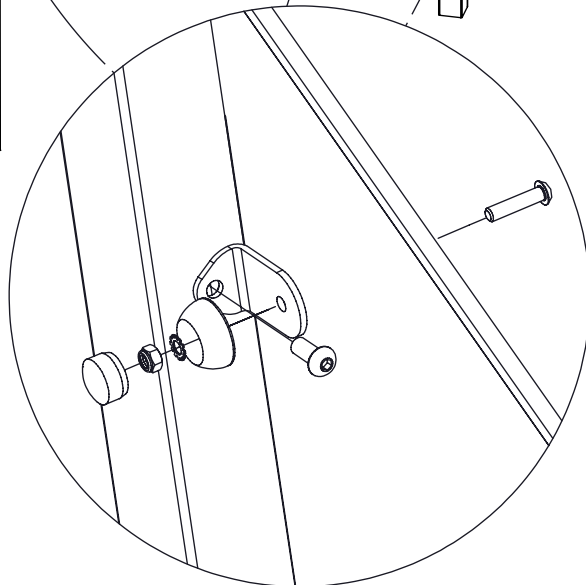
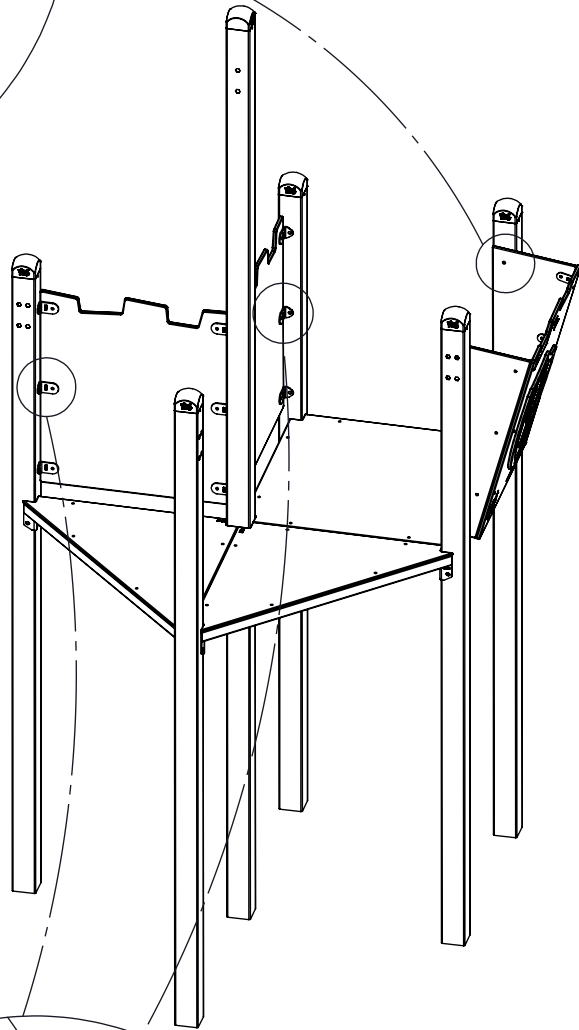
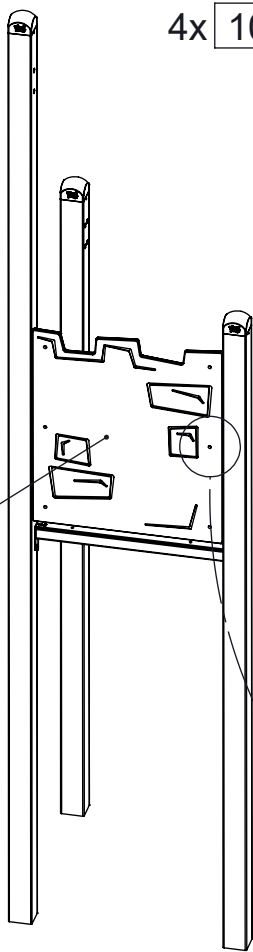
1x 30c114

[cm]



4x 10x25ikl

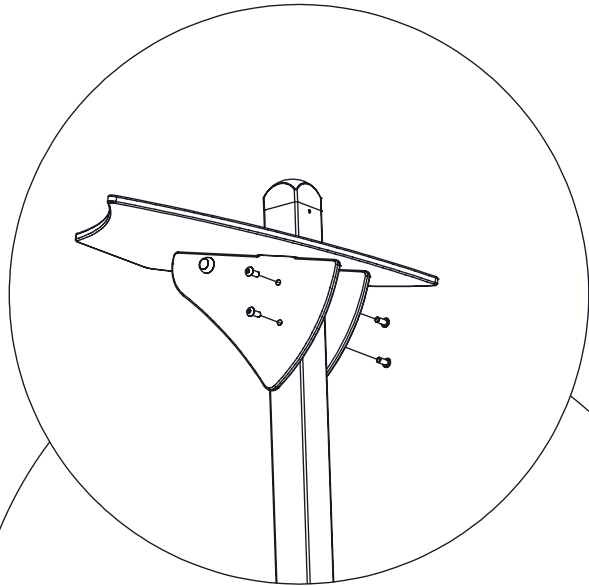
301132
3X



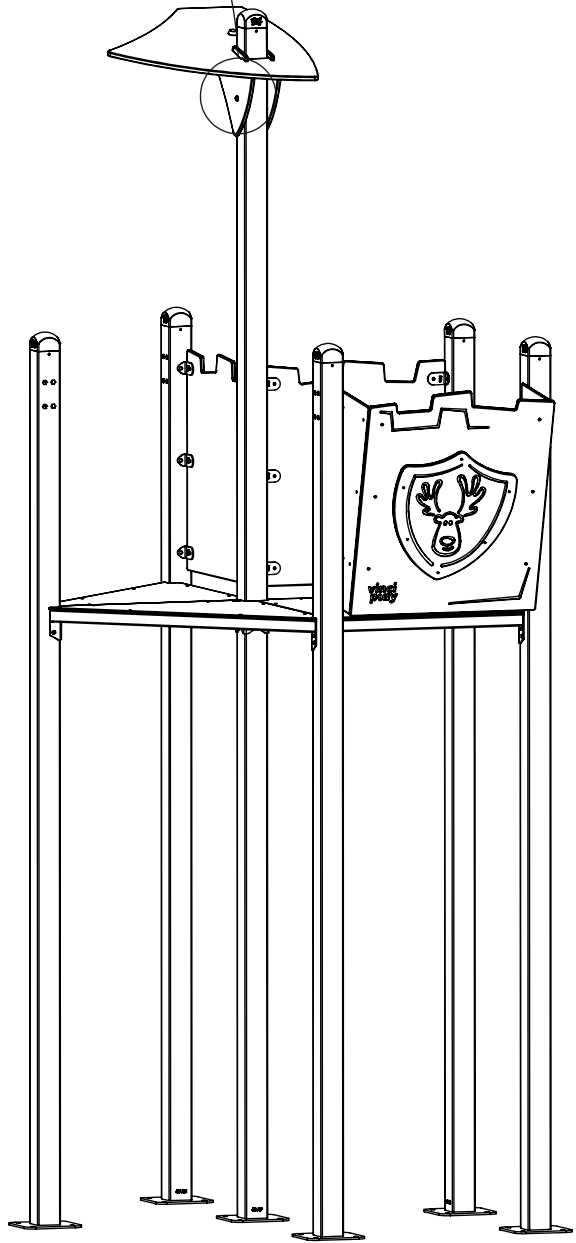
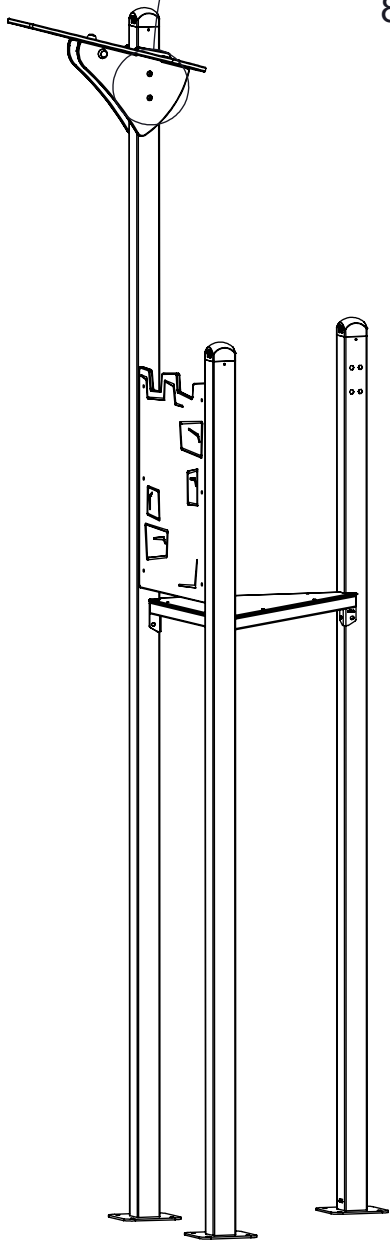
3x 17e111

[cm]

vinci
play

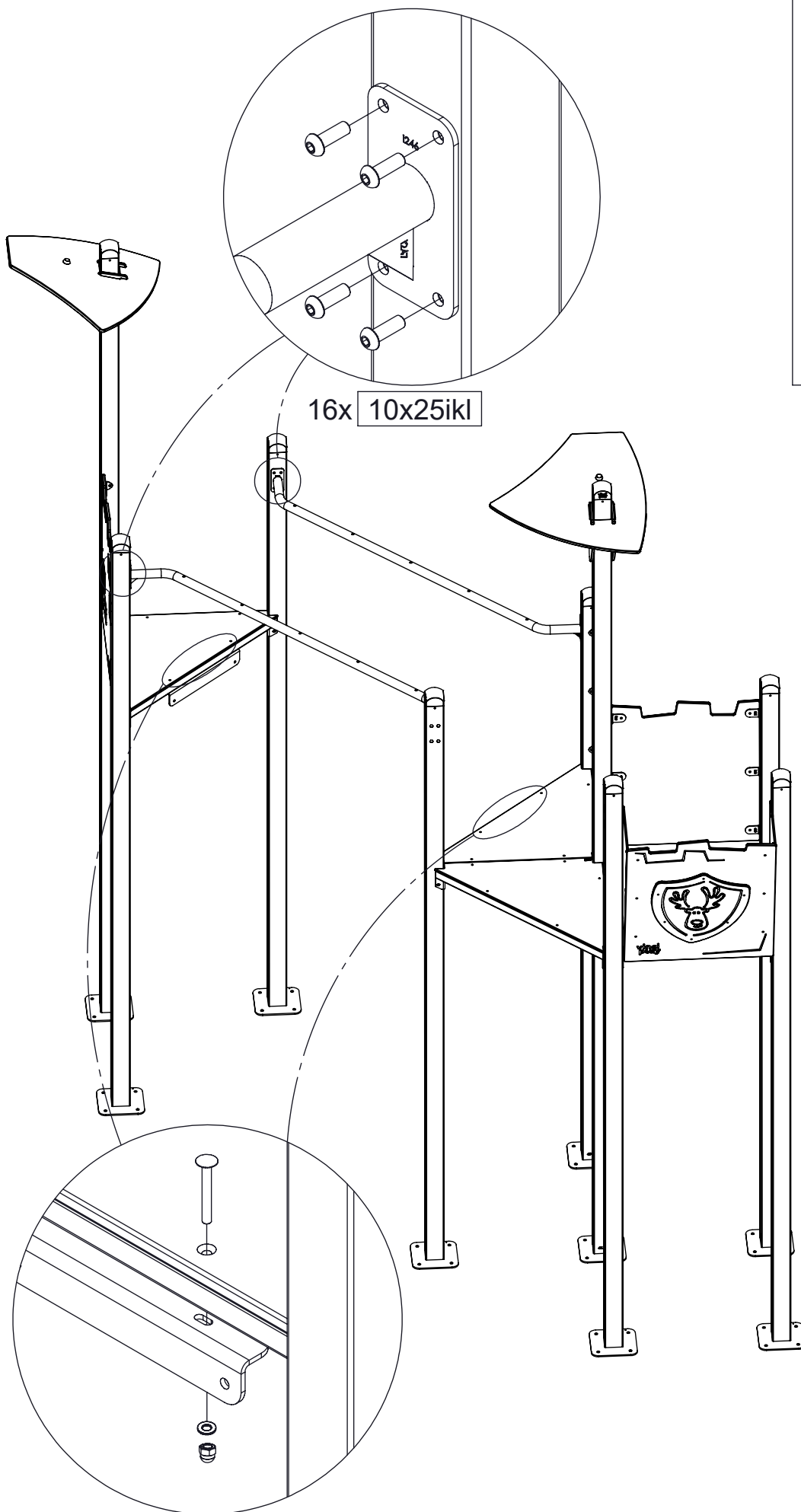


8x 10x25ikl



[cm]

vinci
play



16x 10x25ikl

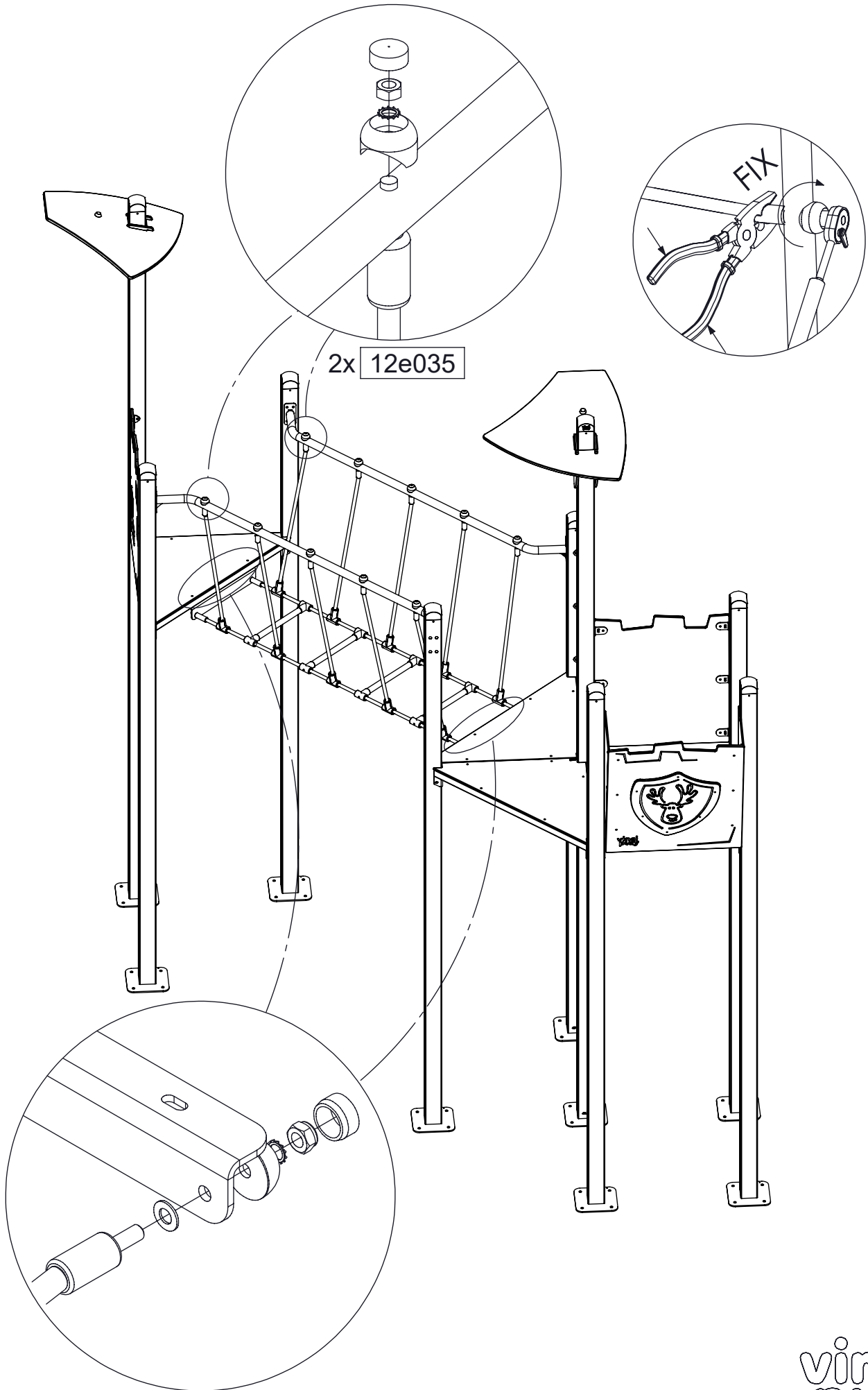
1x 17p023

2x 172123

2x b203

[cm]

vinci
play

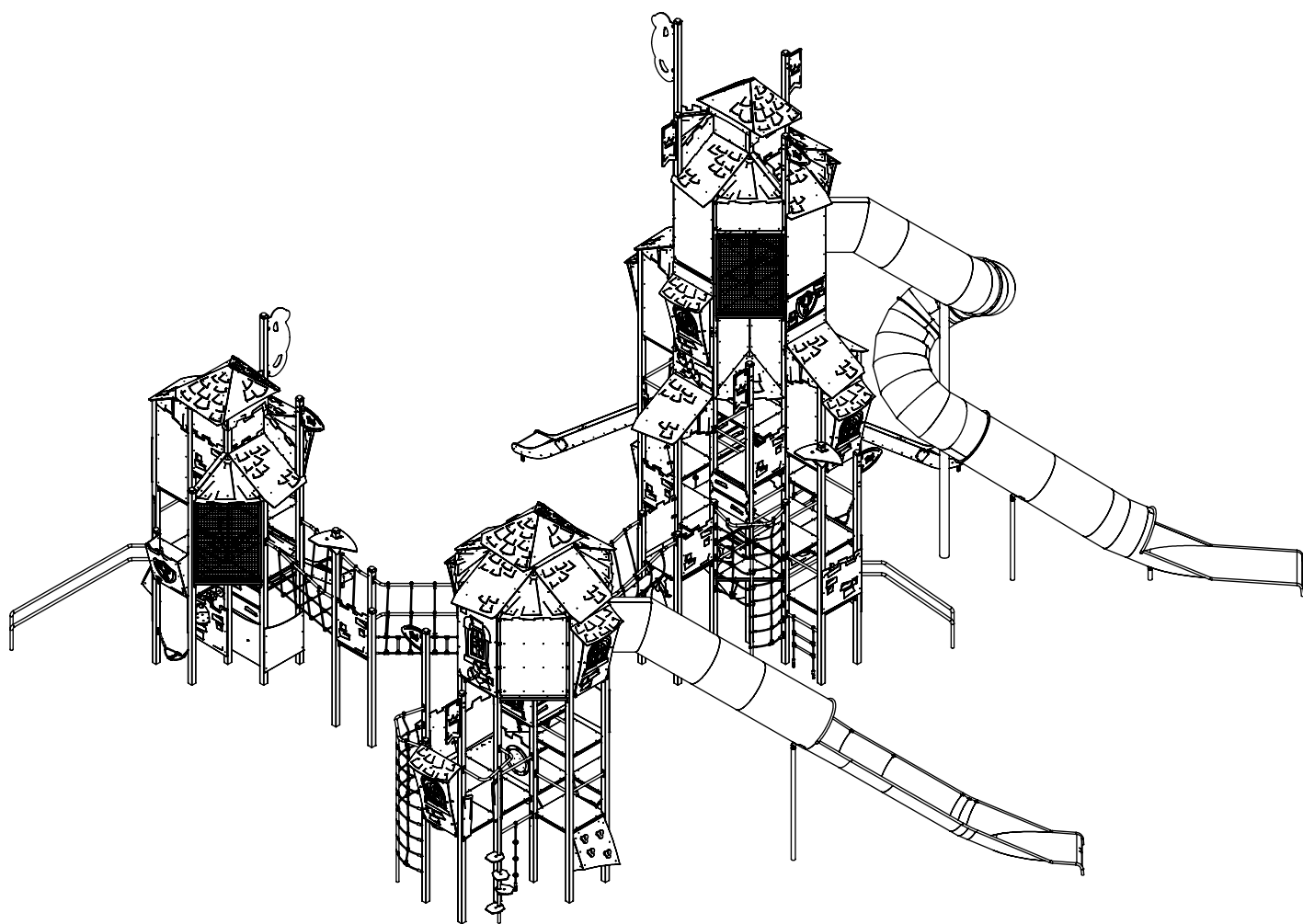


[cm]

1x 17e024

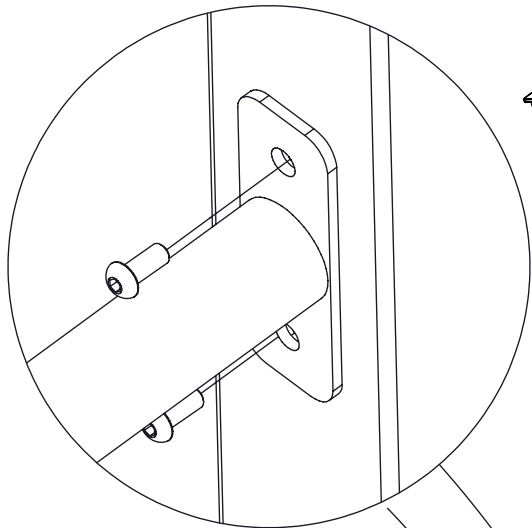
vinci
play

01+02+03+04

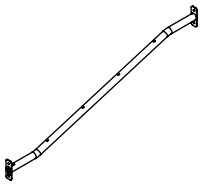


[cm]

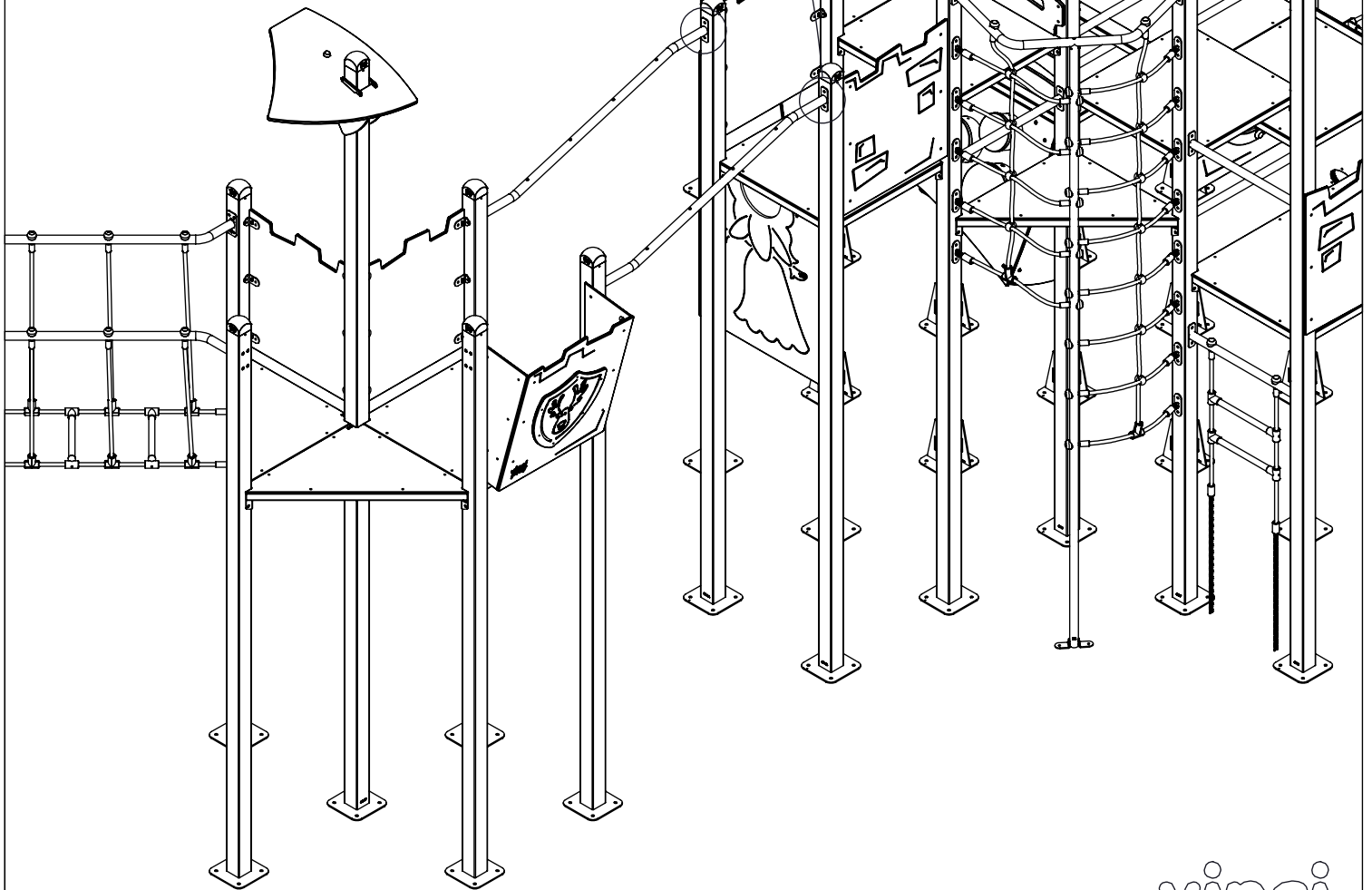
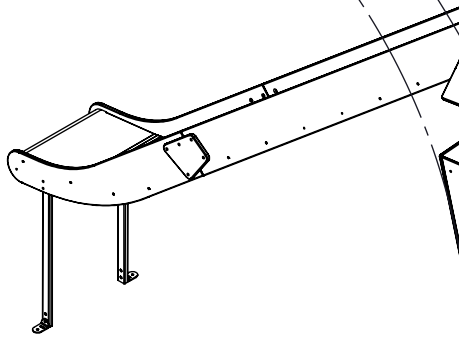
vinci
play



8x 10x25ikl

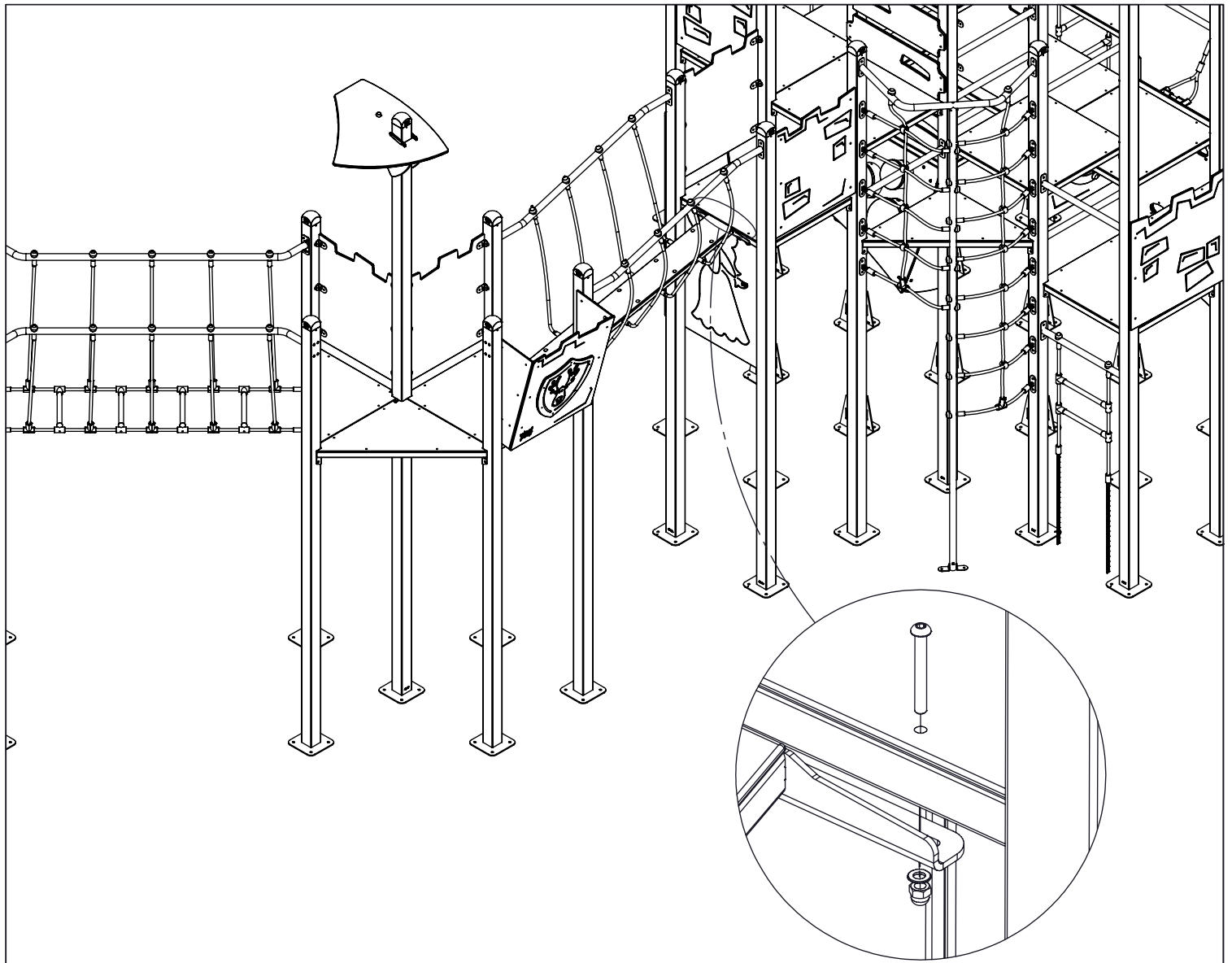


2x 142138

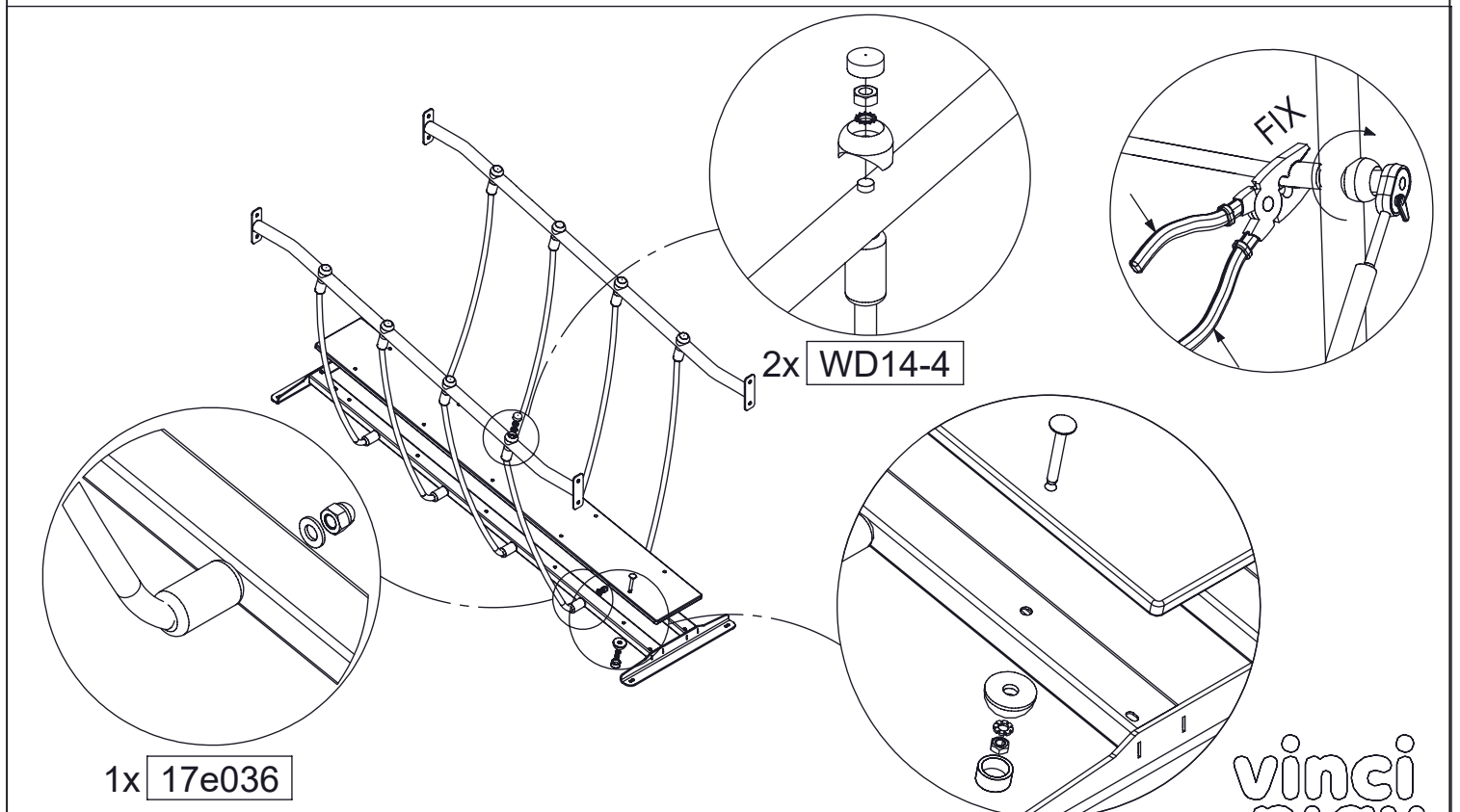


[cm]

vinci
play



1x 17p023



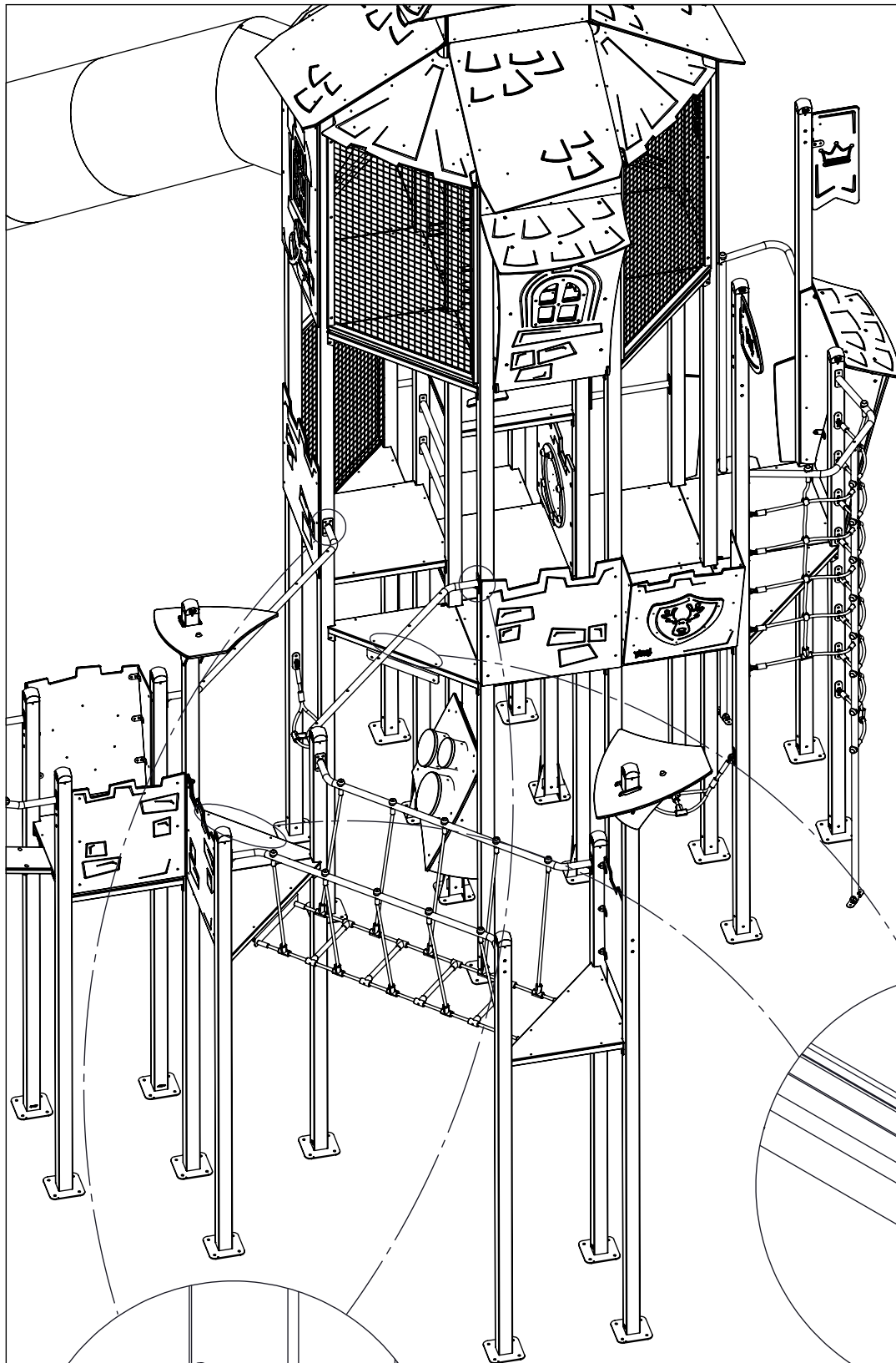
2x WD14-4

1x 17e036

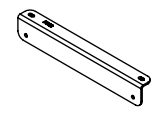
1x 30p065

vinci play

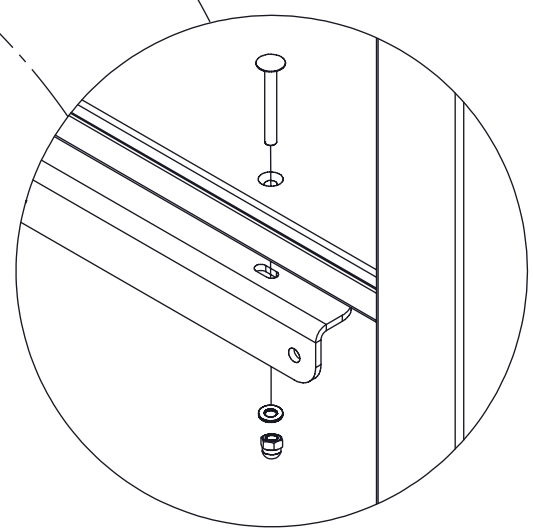
[cm]



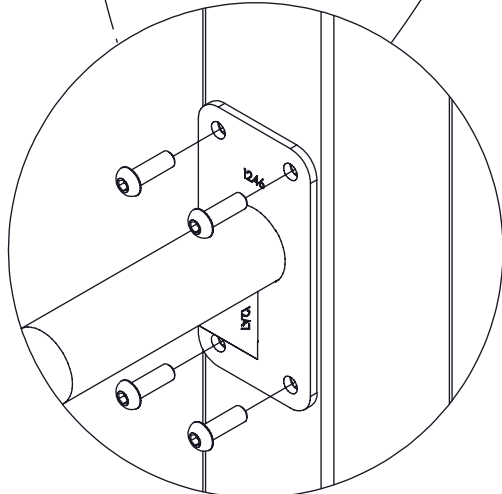
2x 172123



2x b203



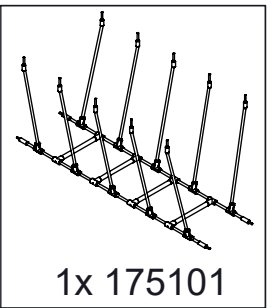
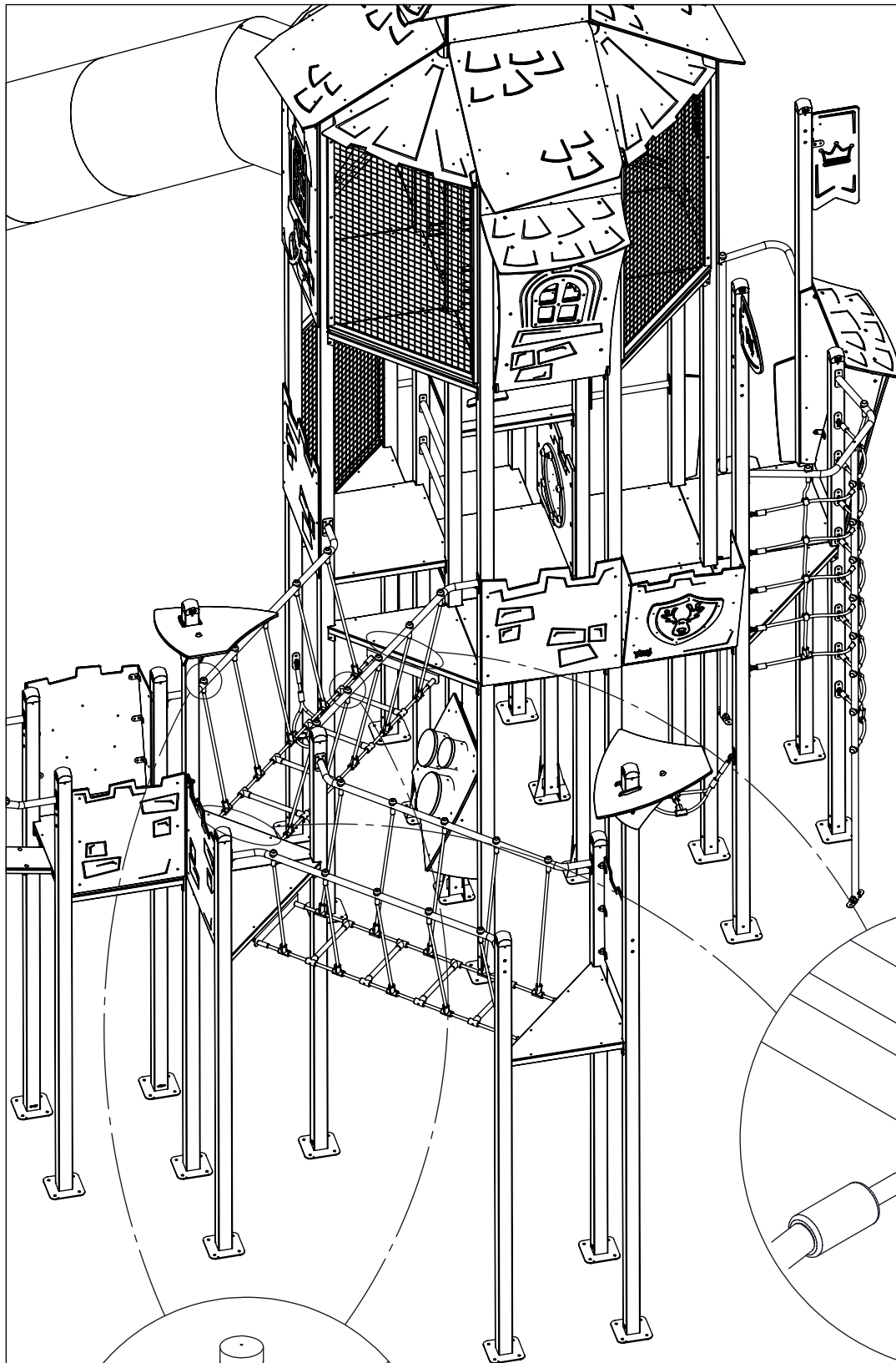
1x 17p023



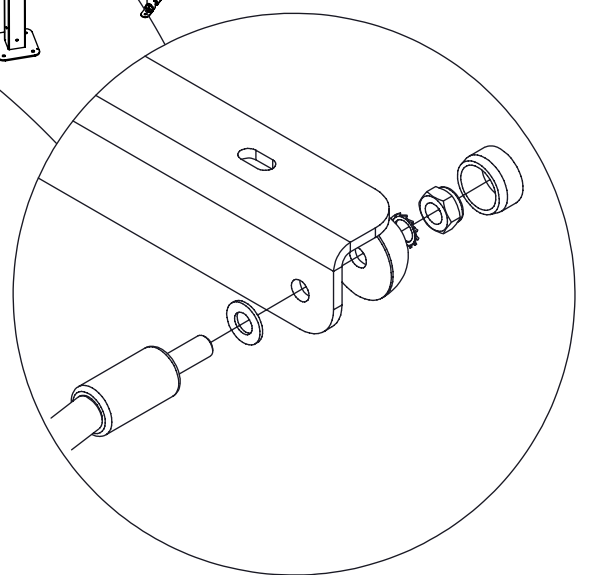
16x 10x25ikl

[cm]

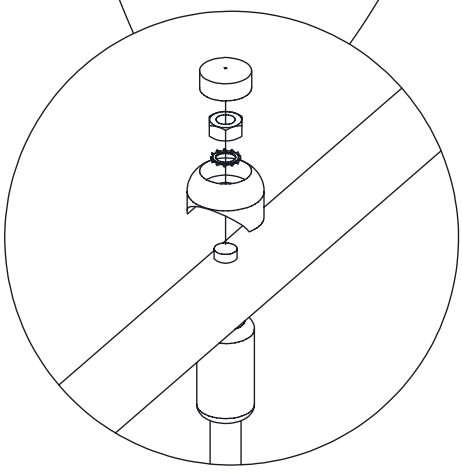
vinci play



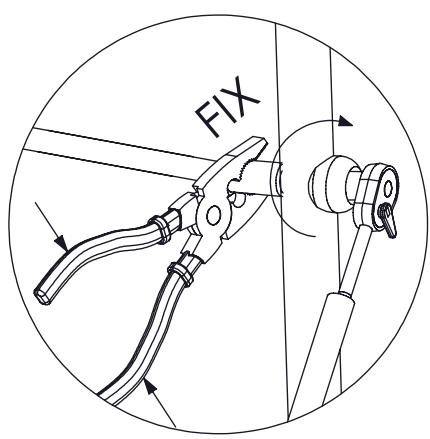
1x 175101



1x 17e024

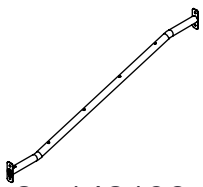


2x 12e035



[cm]

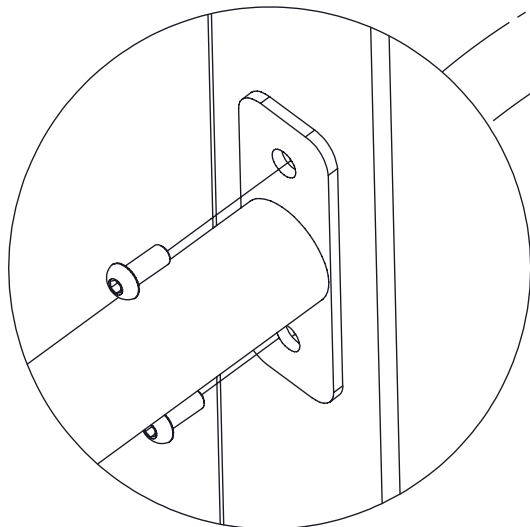
vinci
play



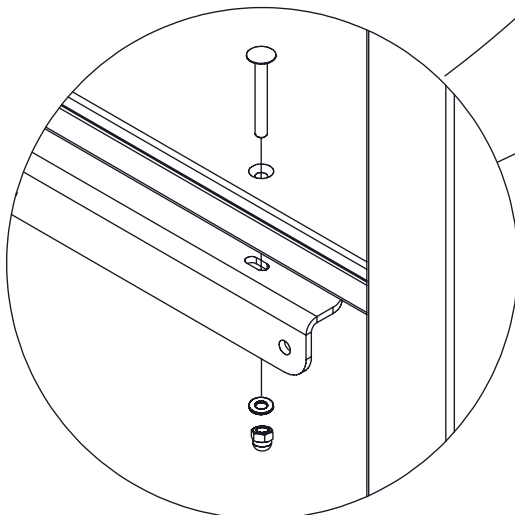
2x 142138



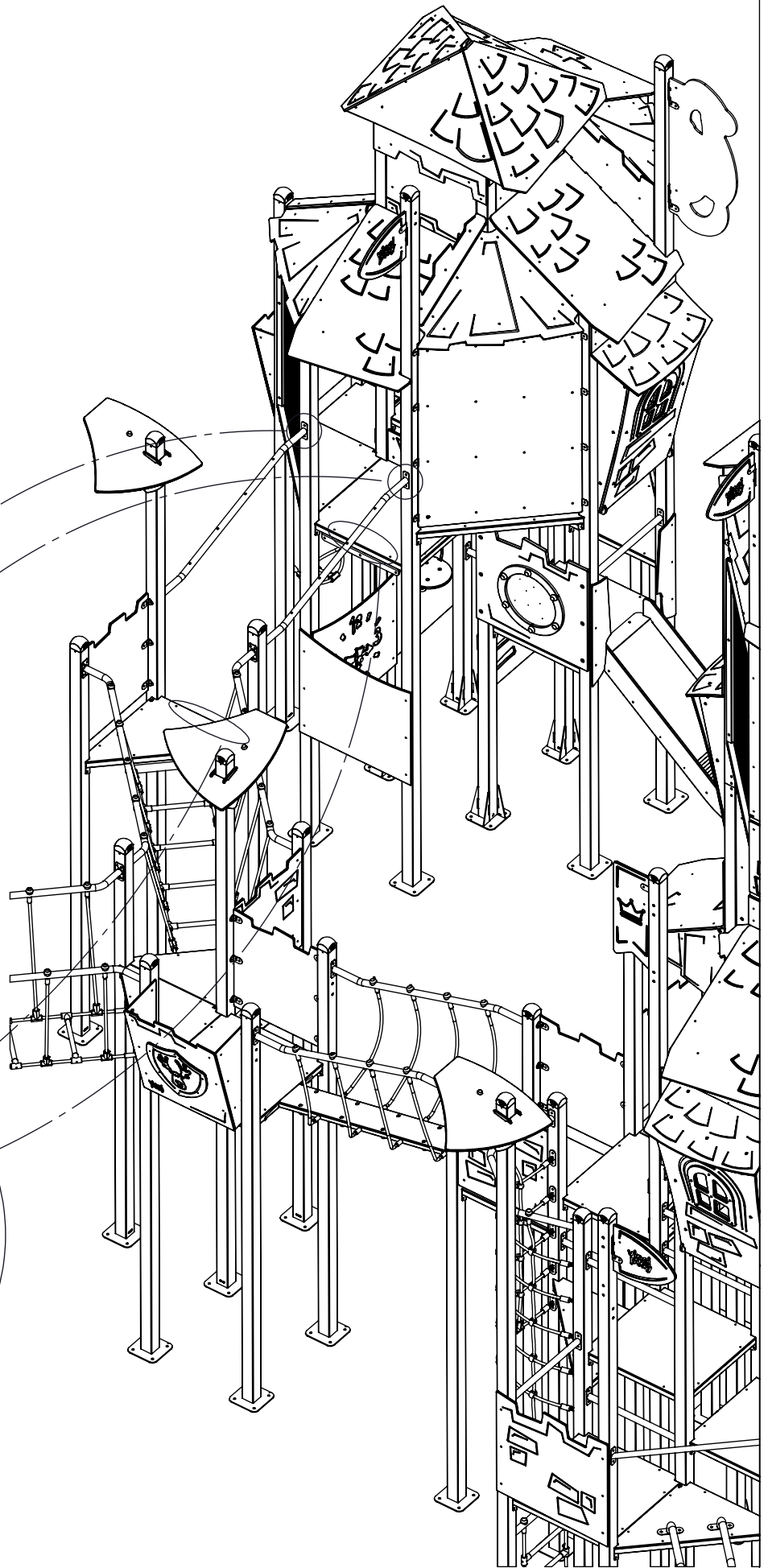
2x b144



8x 10x25ikl

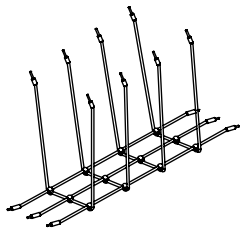


1x 17p023

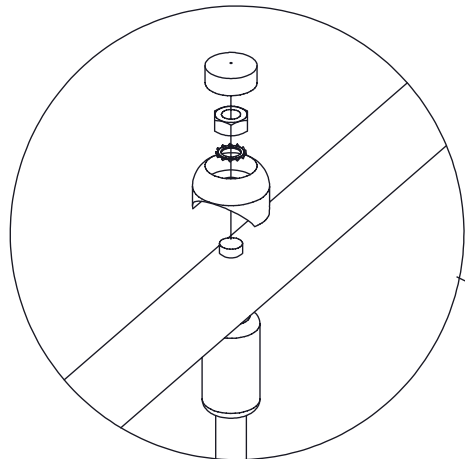


[cm]

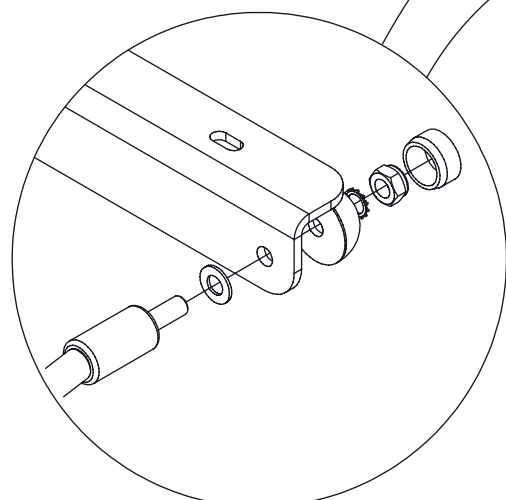
vinci
play



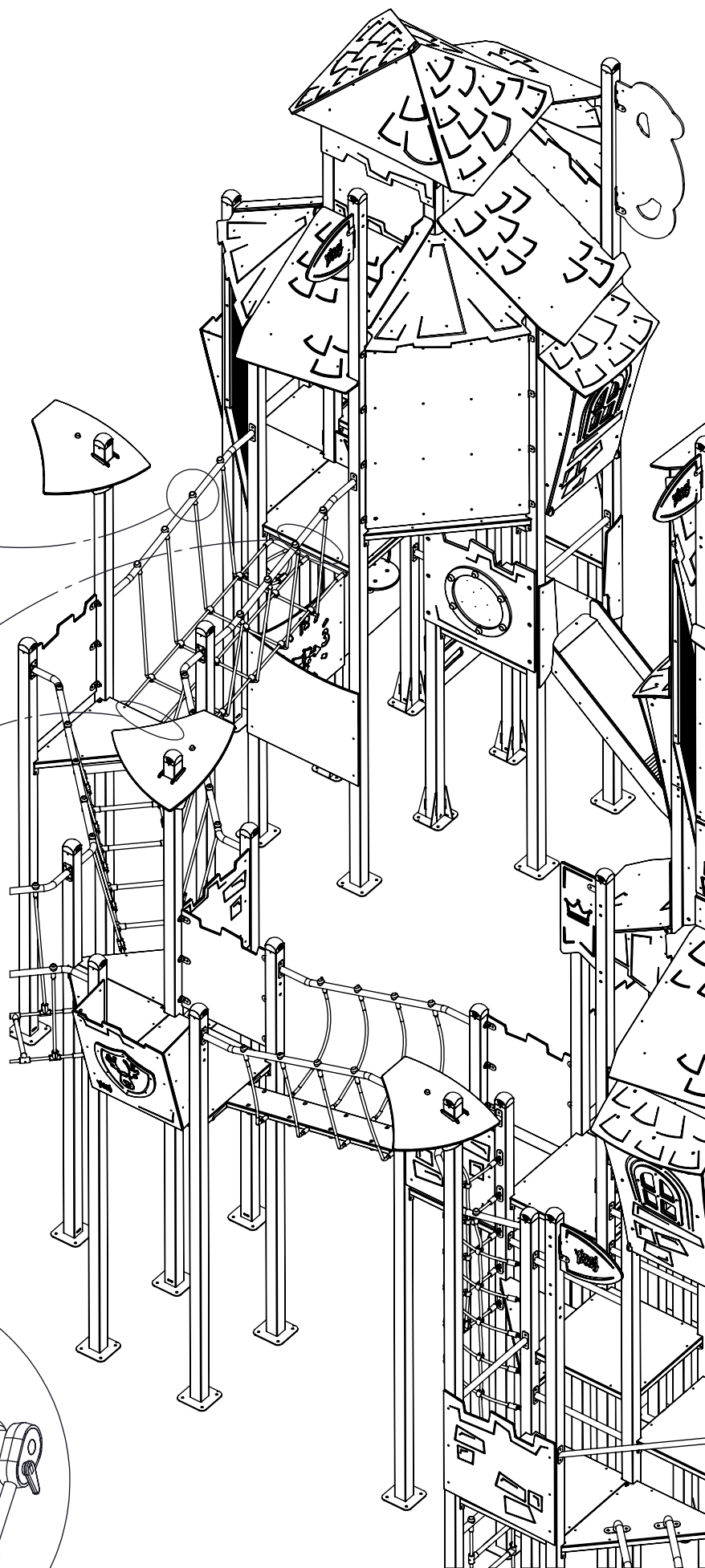
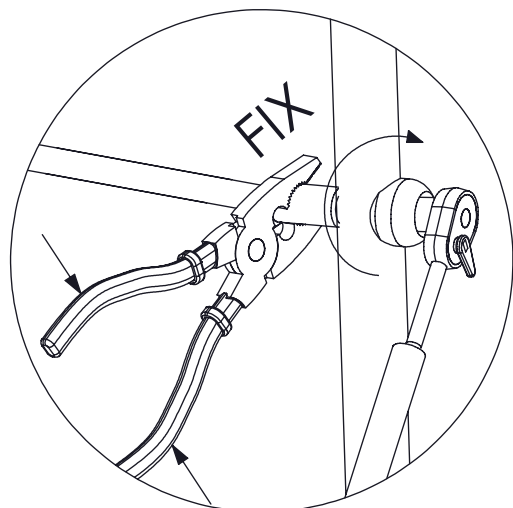
1x 145141



2x WD14-4

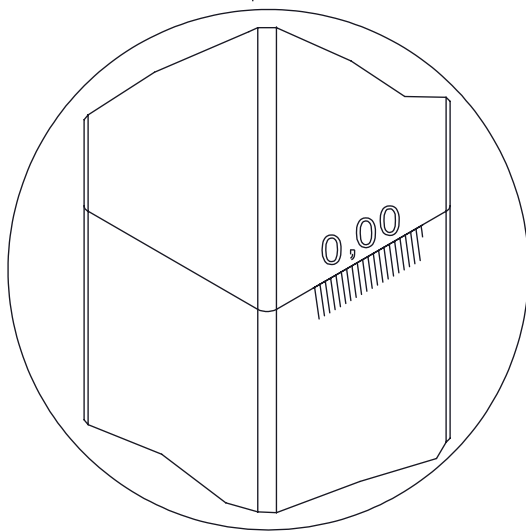
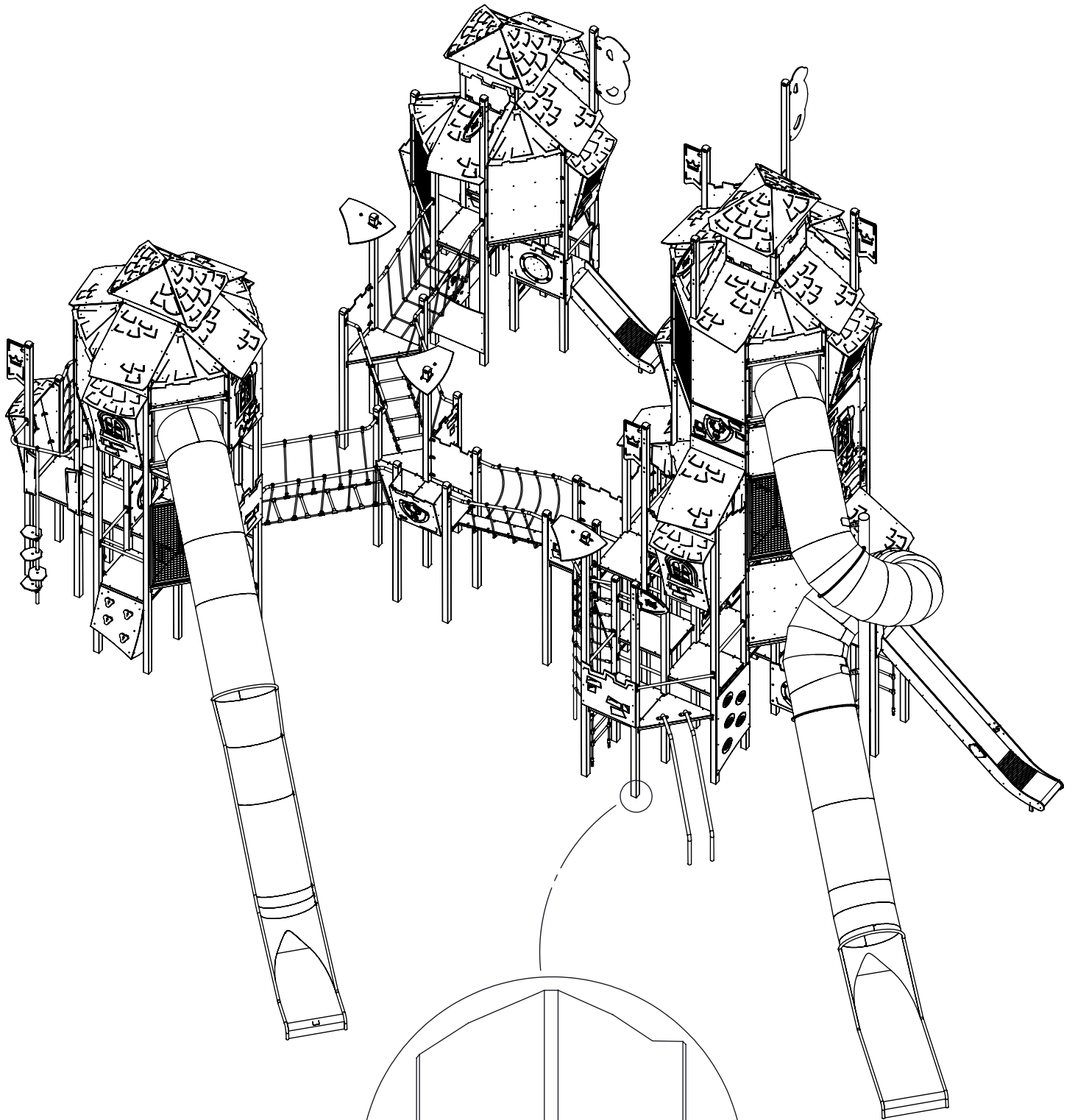


1x 17e031



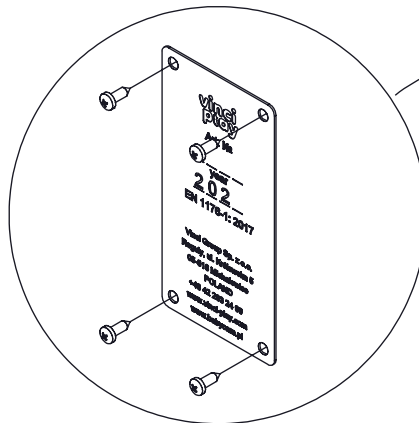
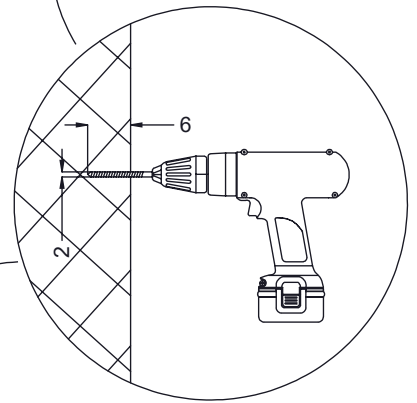
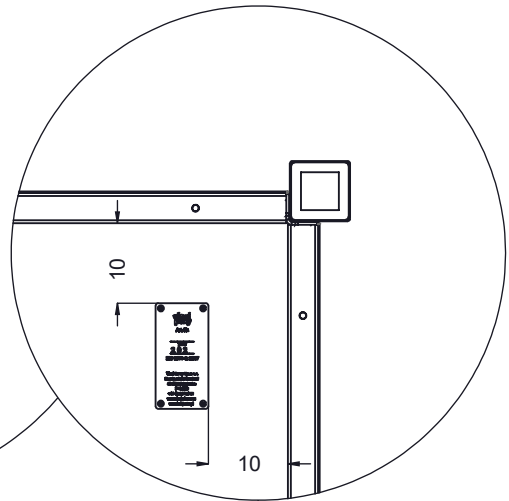
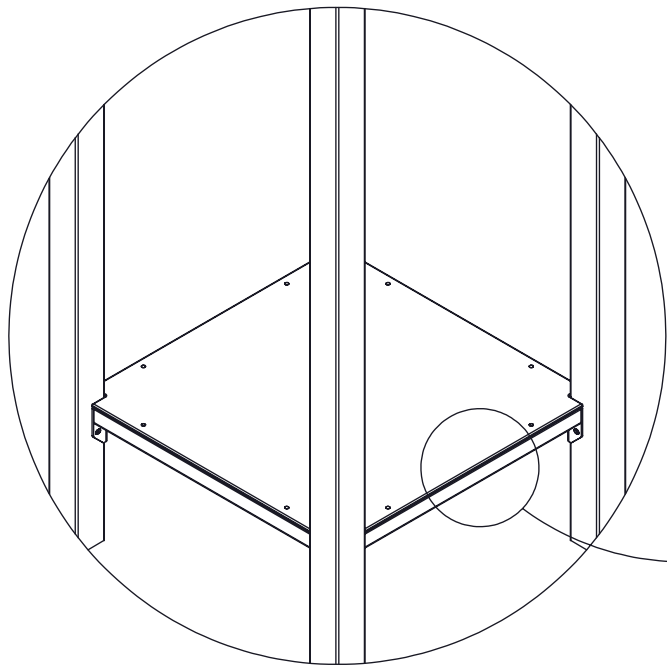
[cm]

vinci
play



[cm]

vinci
play

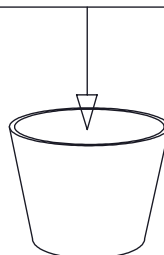


V001

Part No:
000000-
00000



000000-00000



[cm]

vinci
play