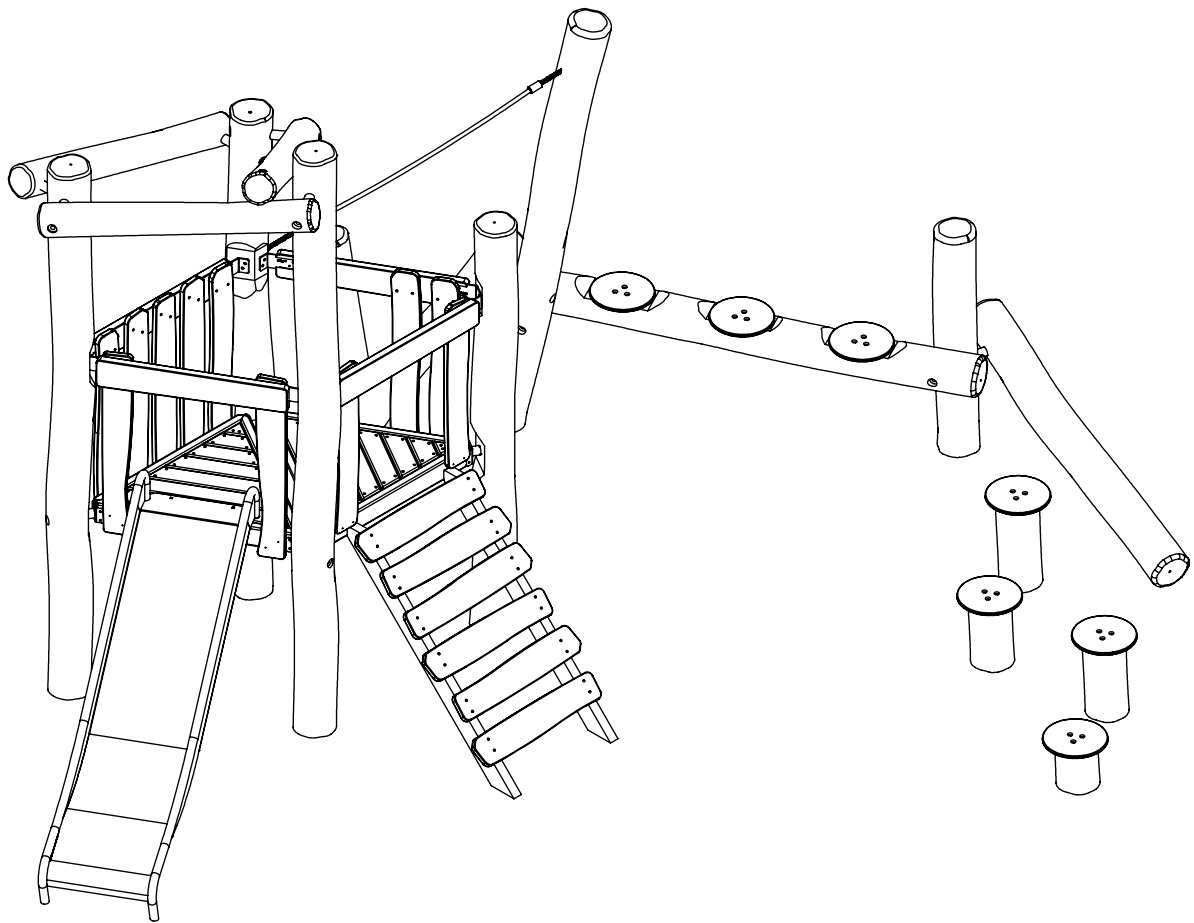


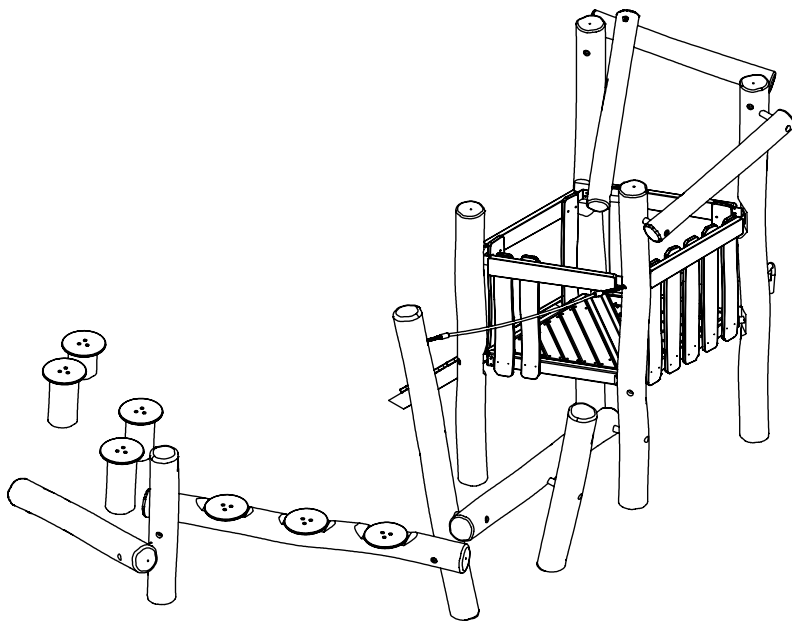
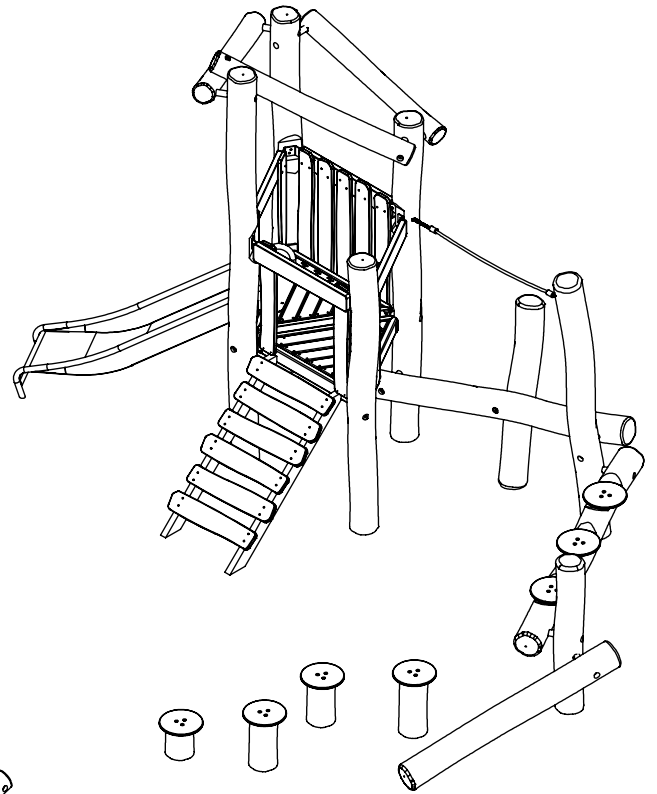
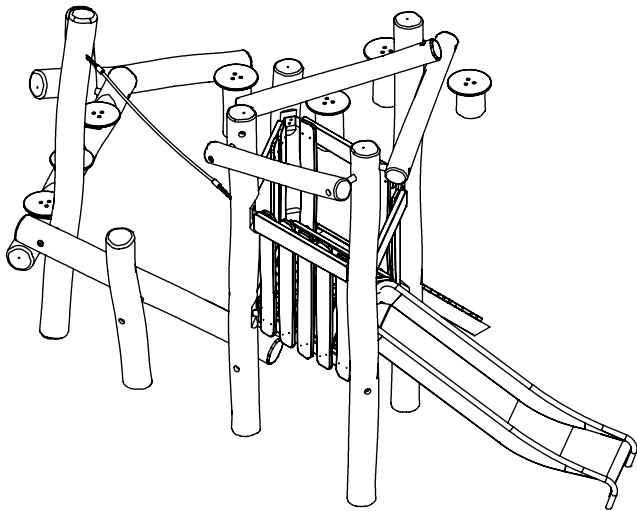
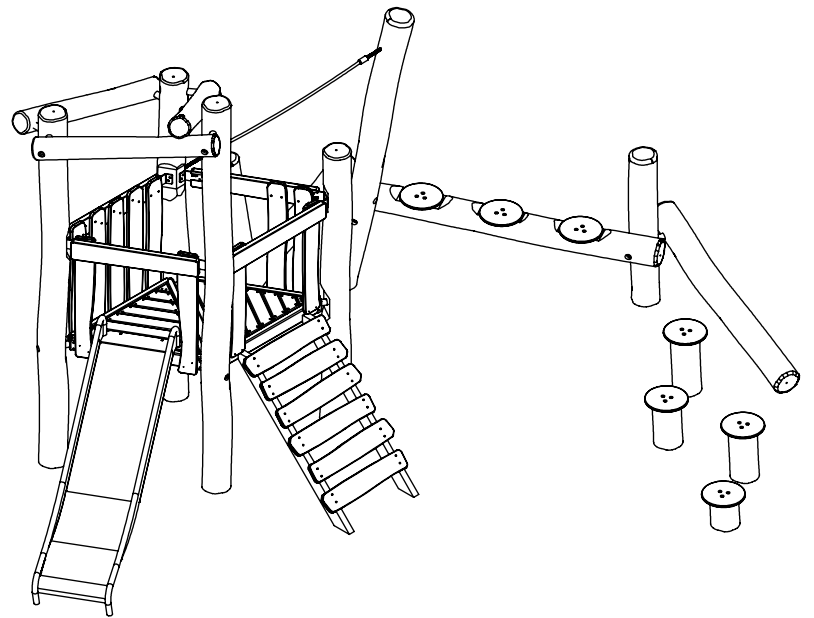
RB1316



<60 HIC	48h 	EN 1176	x2	6,5h	K1 x14 >0,06m ³	K1 x3 >0,06m ³	K21 x11 >0,06m ³	K3 x14 >0,06m ³	17 	19 	24 	13
TX20 	TX40 	Ø3 	Ø3,5 	Ø5,5 	8,5 	Ø24 	5 				PZ1 	

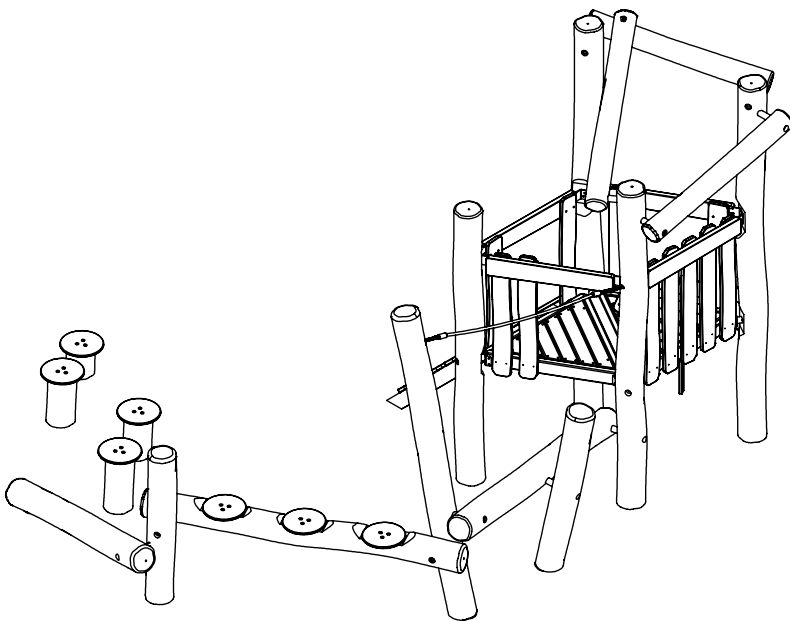
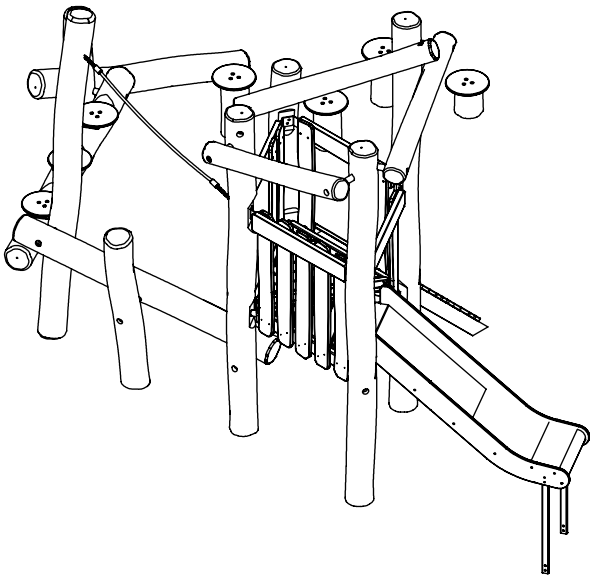
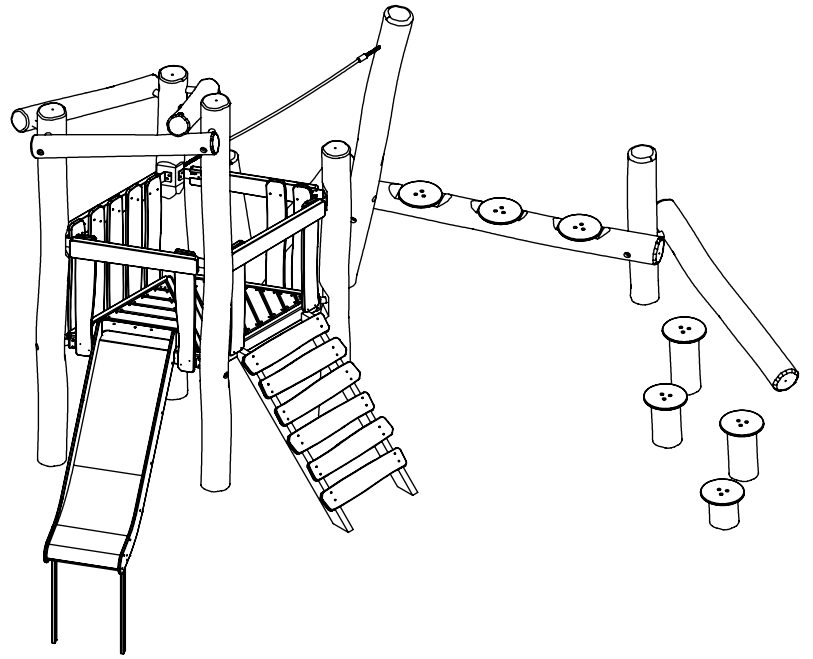
v012
18.11.2025
M.O.
[cm]

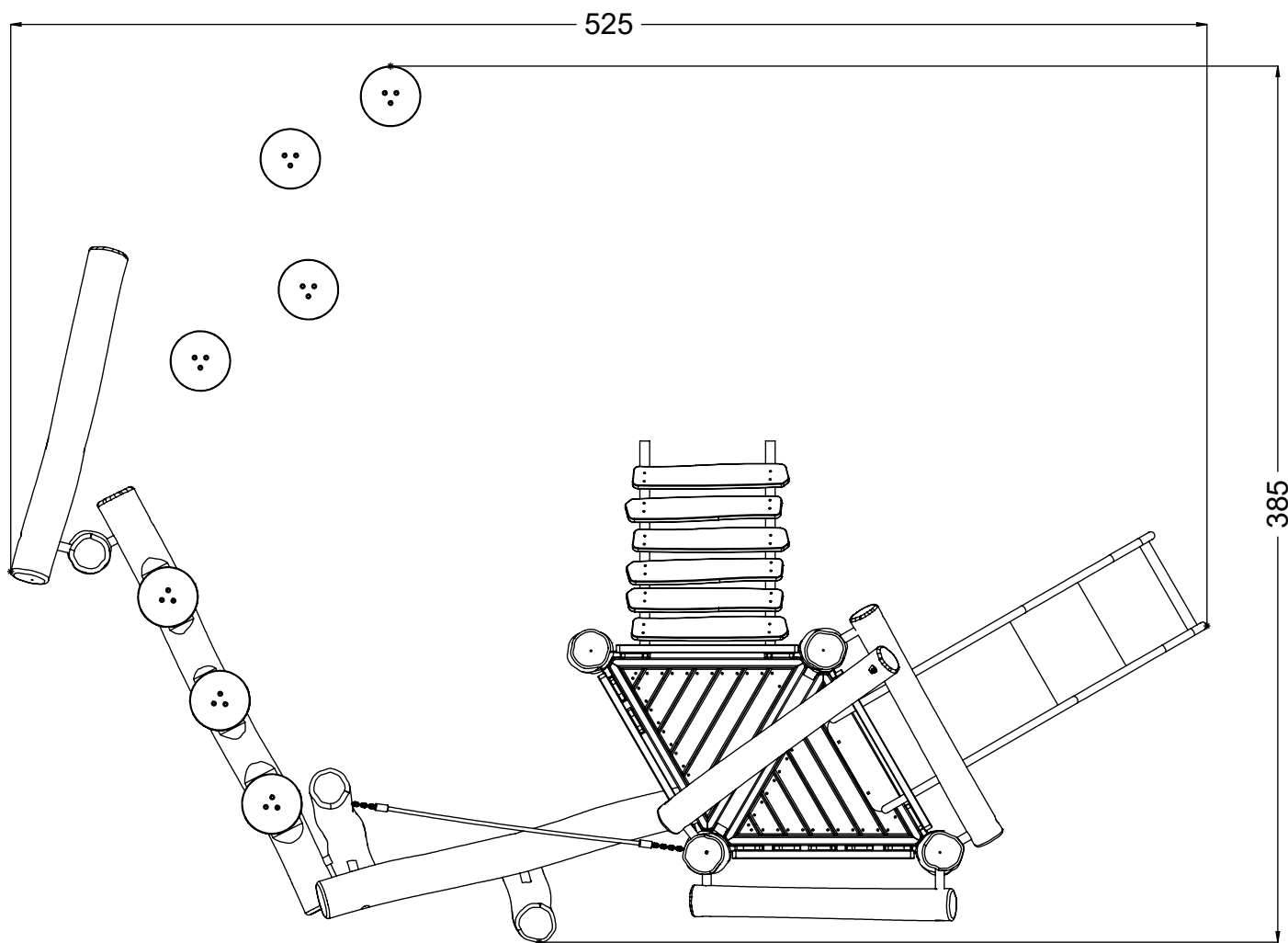
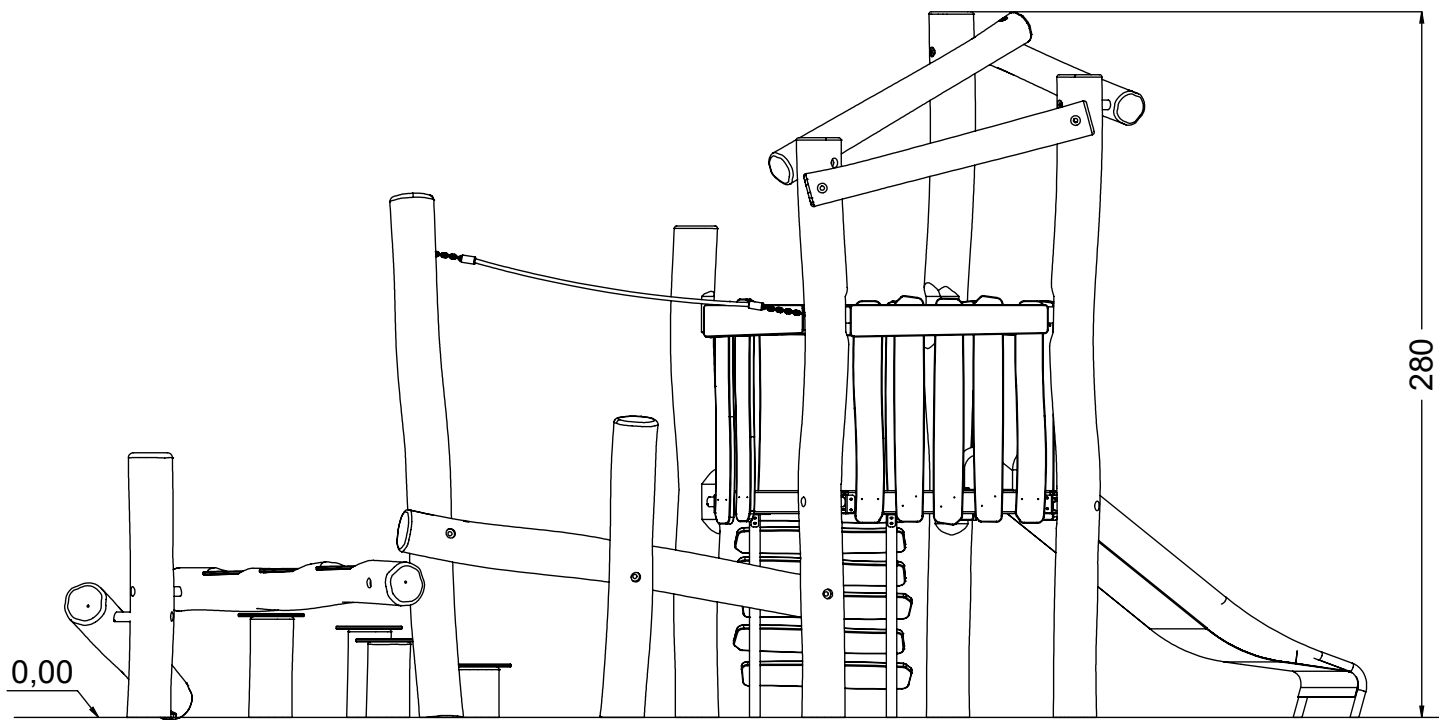
vinci
play



[cm]

vinci
play

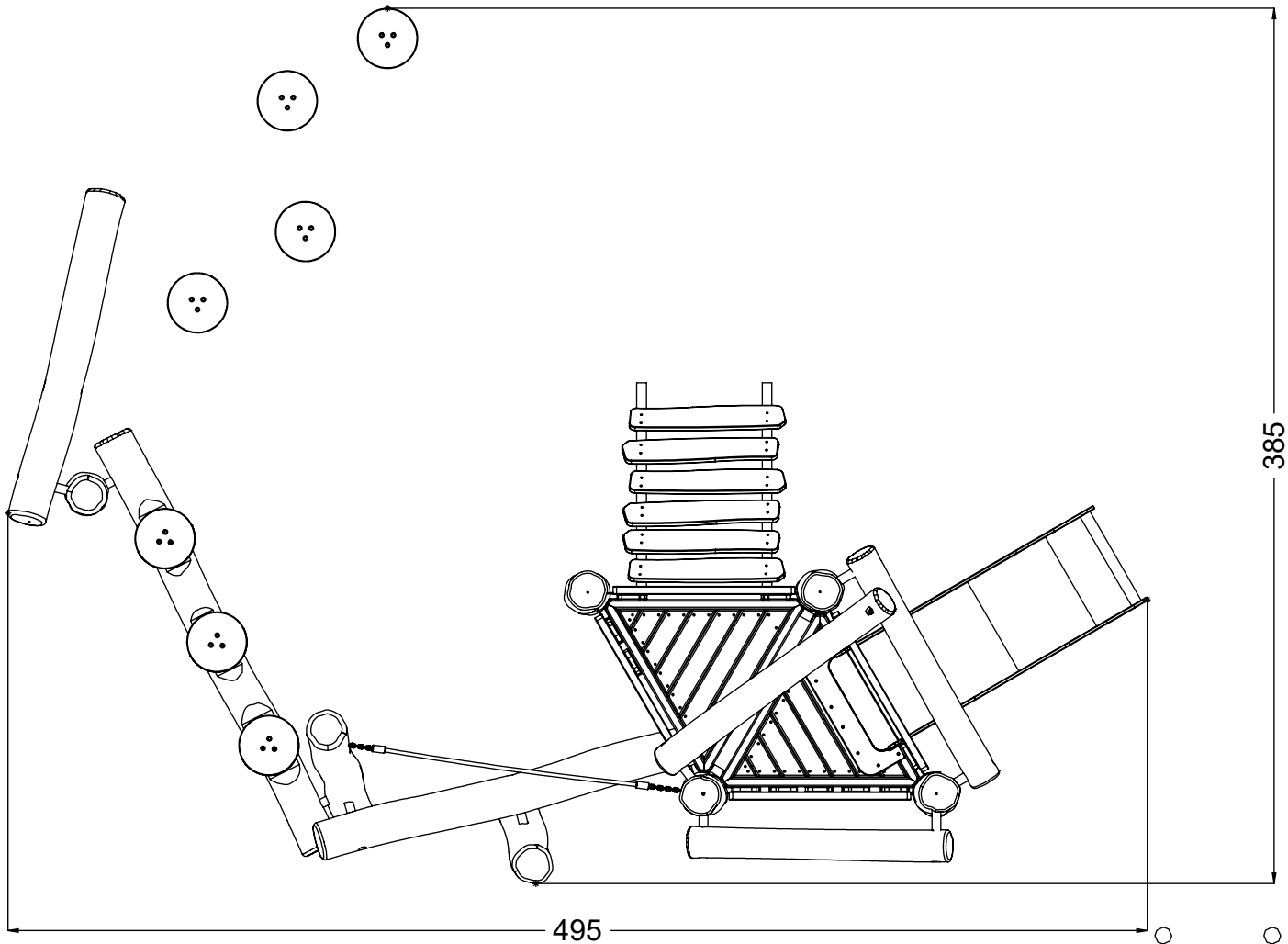
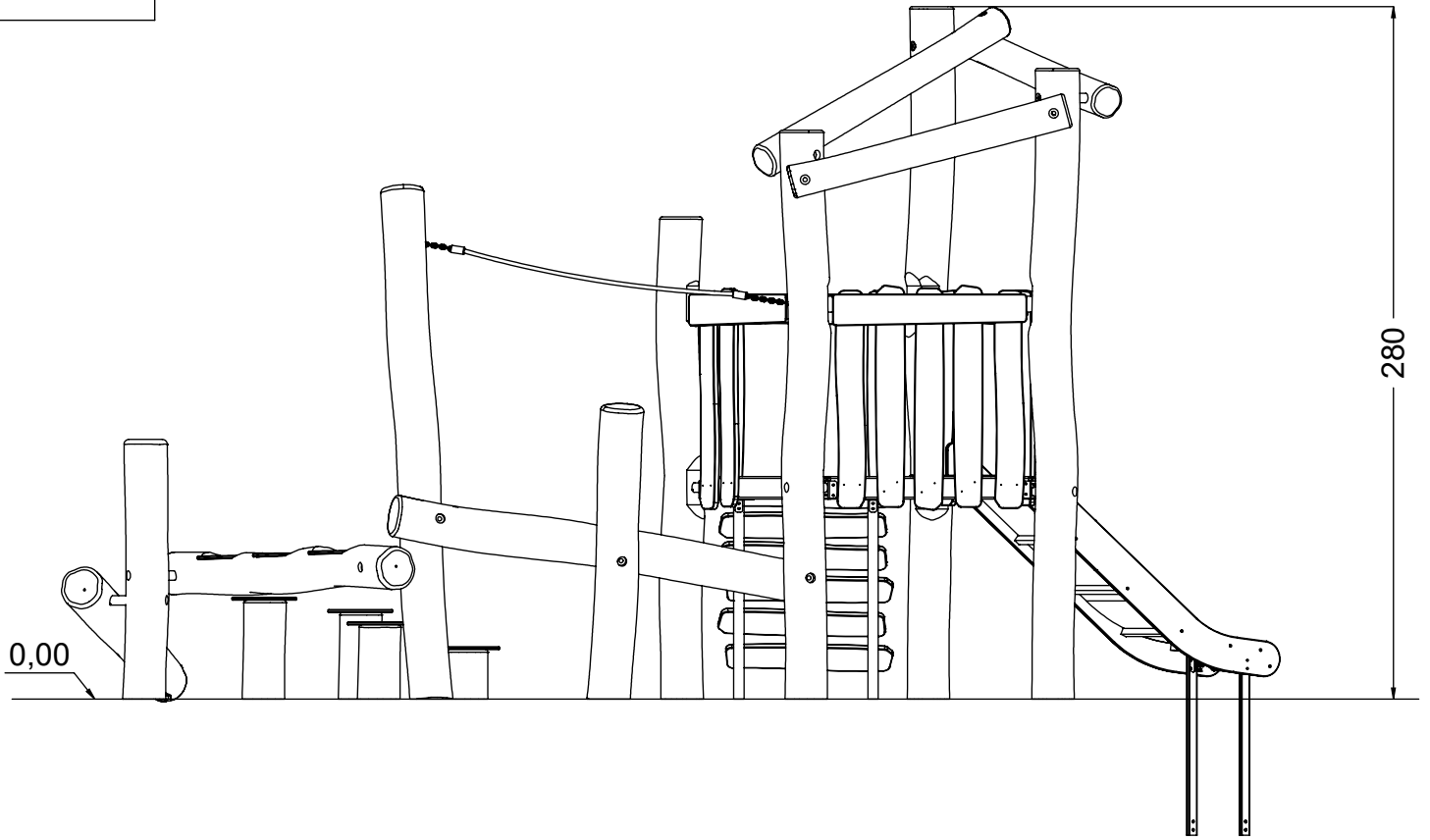




[cm]

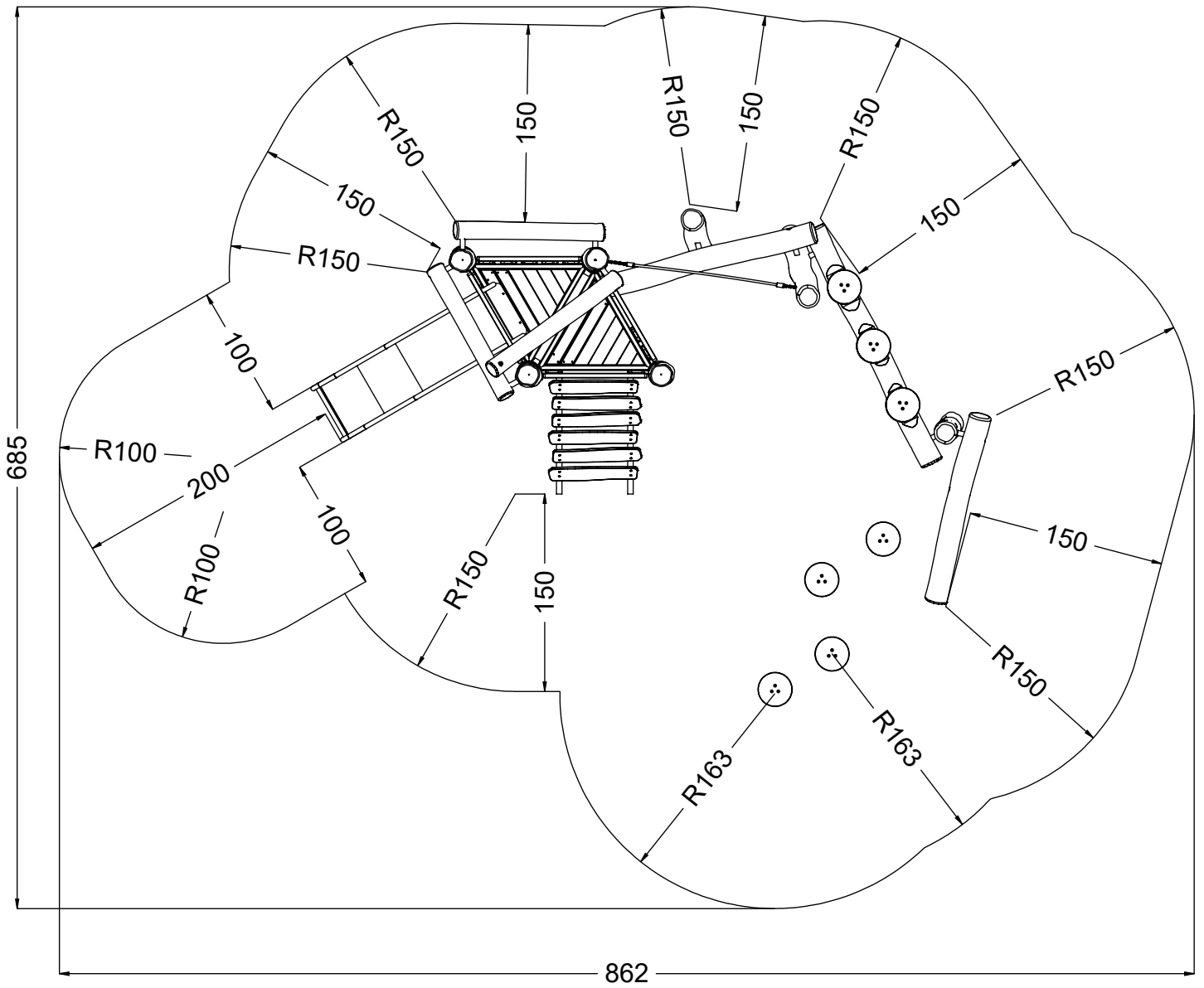
vinci
play

S6



[cm]

vinci
play

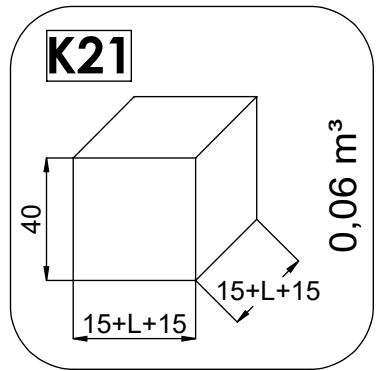
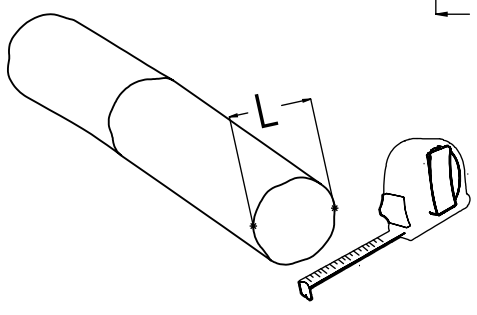
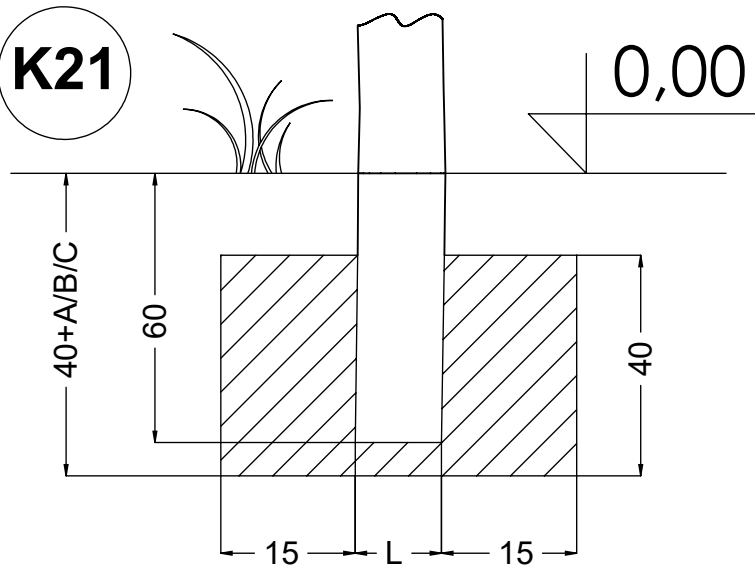


[cm]

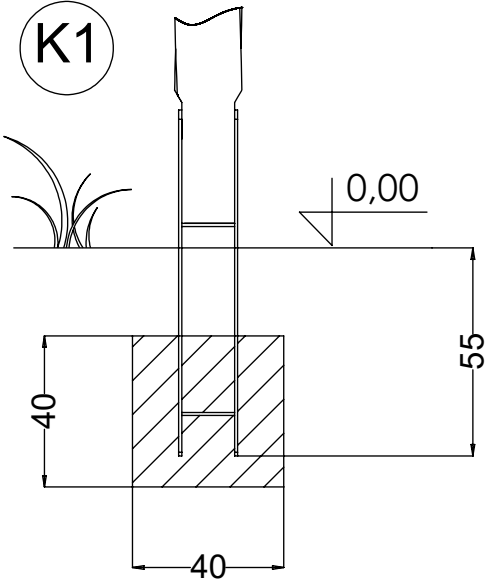


vinci
play

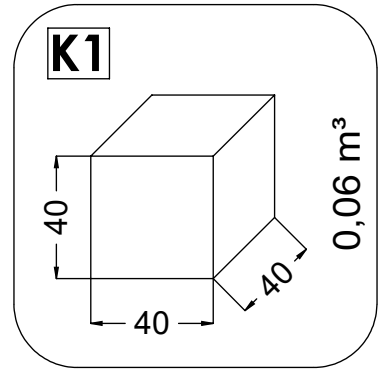
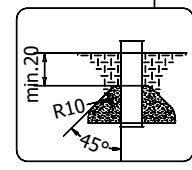
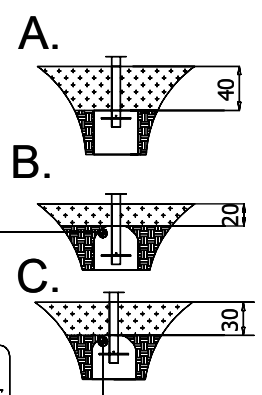
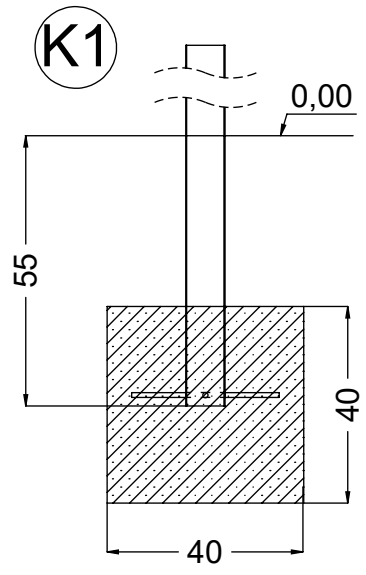
K21



K1



K1



[cm]



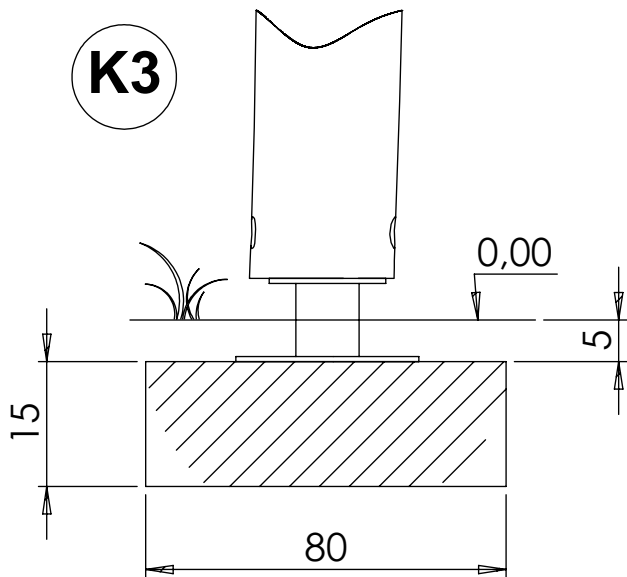
6,5h



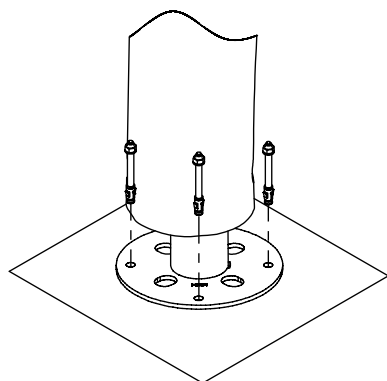
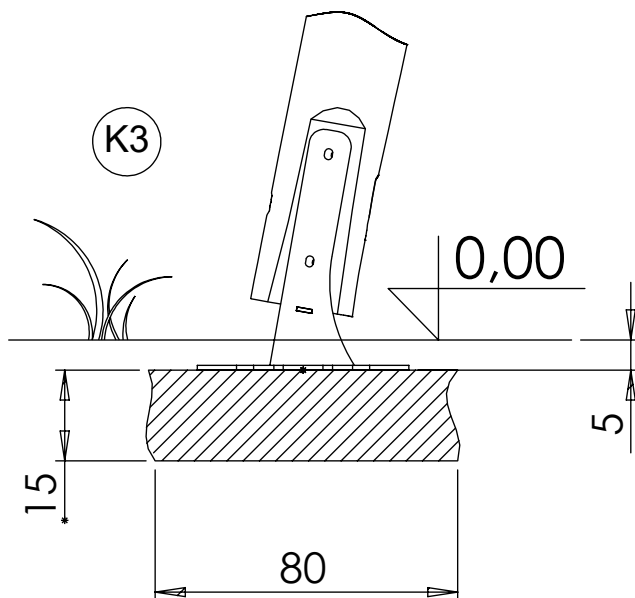
K21	K1	K1
x11	x3	x14
>0,06m³	>0,06m³	>0,06m³

vinci play

K3



K3



32x M10x120 (K3)
4x M8x120 (K3)

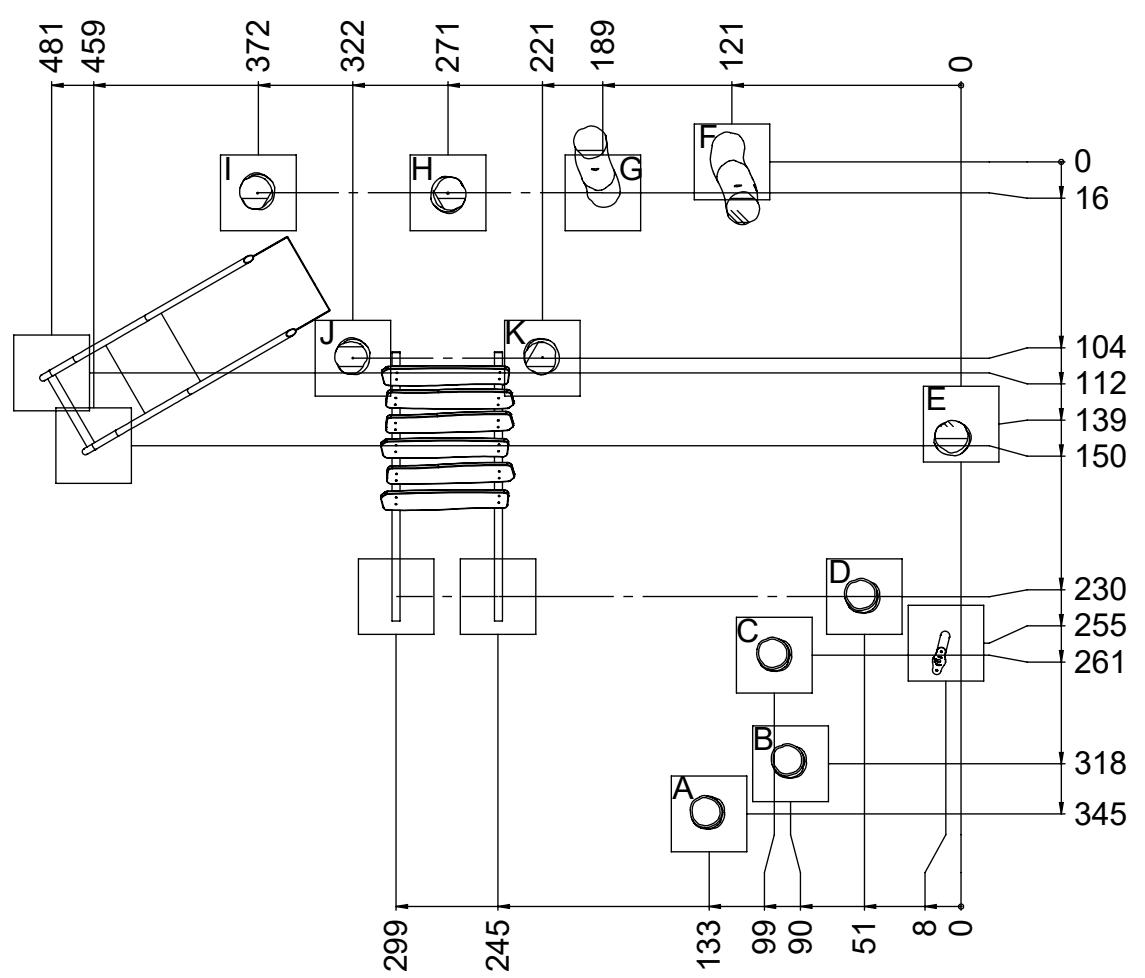
Ø10

NOT INCLUDED

K3

15
80
80

0,09 m³



[cm]

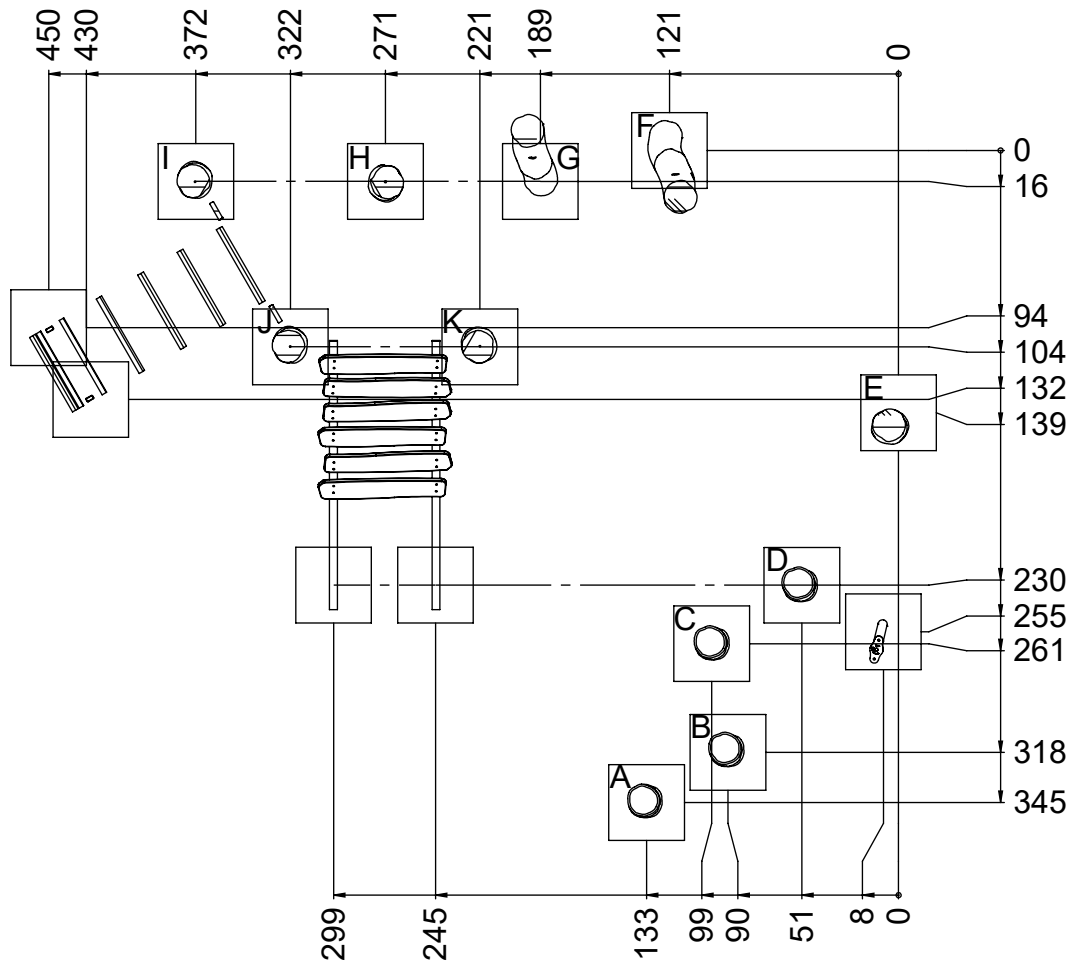
x2

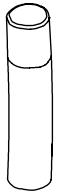
6,5h

48h

K3
x14
>0,09m³

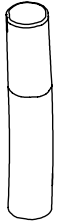
vinci play





1271016 (A)

x1



1271014 (B)

x1



1271015 (C)

x1



1271013 (D)

x1



1271011 (E)

x1



1271010 (F)

x1



1271009 (G)

x1

1271831 (K3)

1271829 (K3)

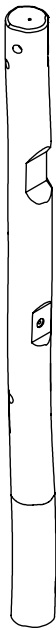
1271830 (K3)

1271832 (K3)

1271828 (K3)

1271827 (K3)

1271826 (K3)



1271006 (H)

1271824 (K3)

x1



1271007 (I)

1271823 (K3)

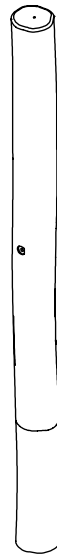
x1



1271005 (J)

1271822 (K3)

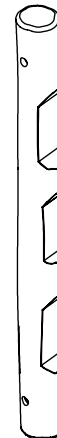
x1



1271008 (K)

1271825 (K3)

x1



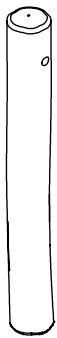
127400

x1



127012

x1



127399

x1



127921

x1



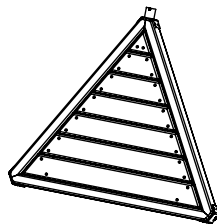
127883

x1



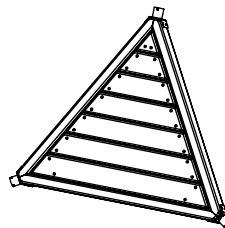
127922

x1



124191

x1

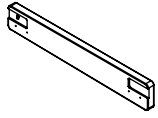


124108

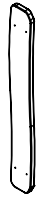
x1

[cm]

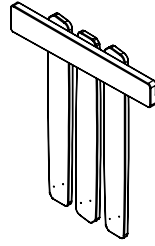
vinci play



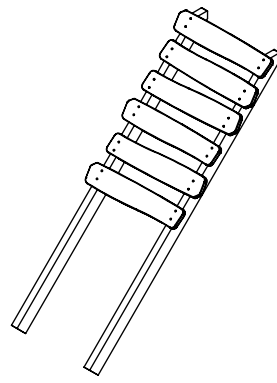
128107
x2



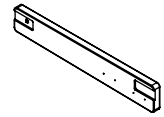
128181
x4



124104
x1



124109
x1



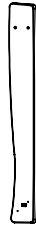
124197
x1



128169
x1



128103
x1



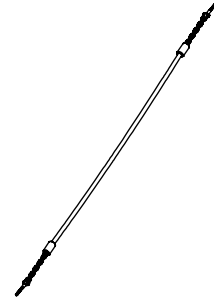
128178
x1



128113
x1



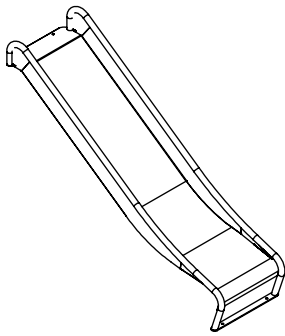
128179
x1



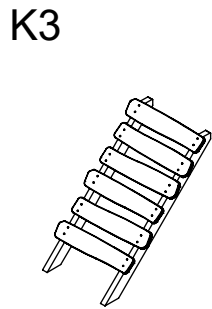
125114
x1



121103
x7

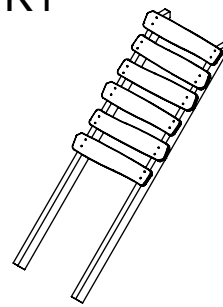


994172
x1



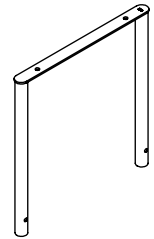
K3

124173
x1



K1

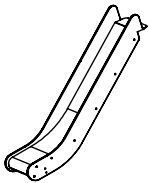
124109
x1



K1

992161
x1

S6



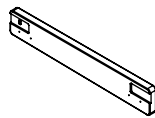
994150
x1



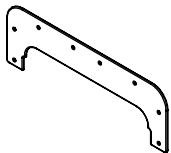
128255
x1



128256
x1



128254
x1



121170
x1

K1



p78
x2

K3

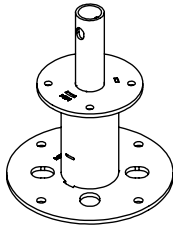


b219
x2

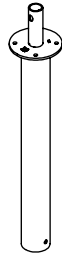
[cm]

vinci
play

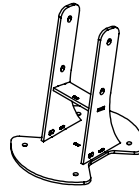
K3

122115
x5

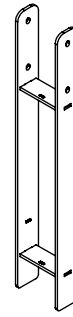
K1

122151
x5

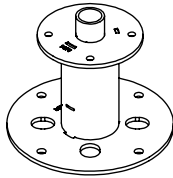
K3

122141
x2

K1

122161
x2

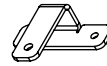
K3

122165
x4

K1

122177
x4

K3

b292
x2

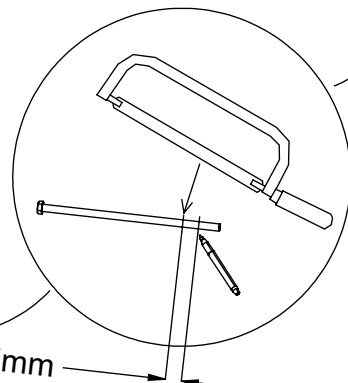
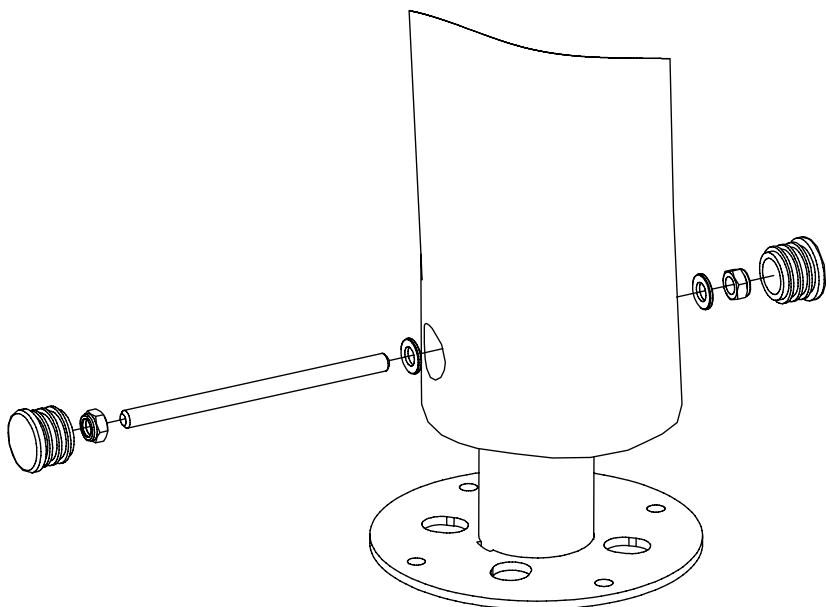
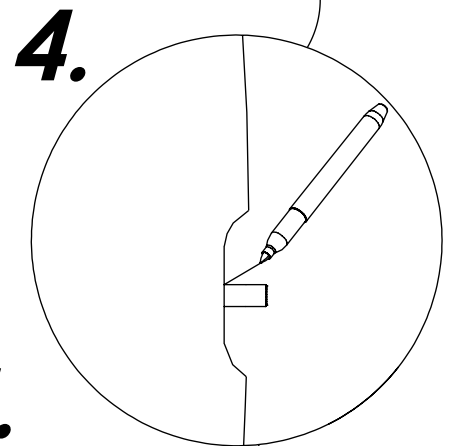
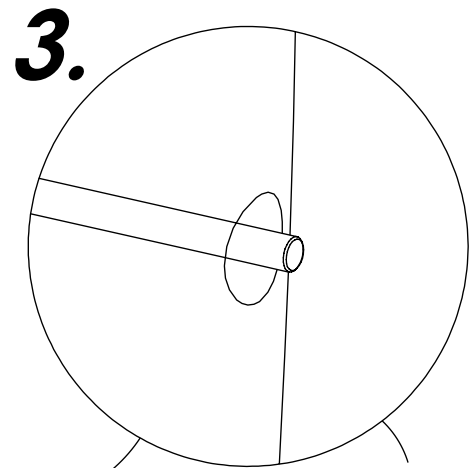
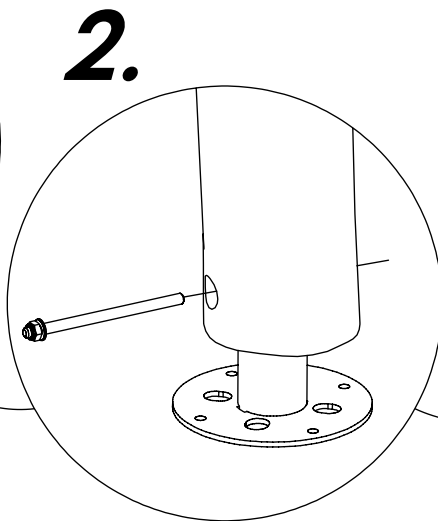
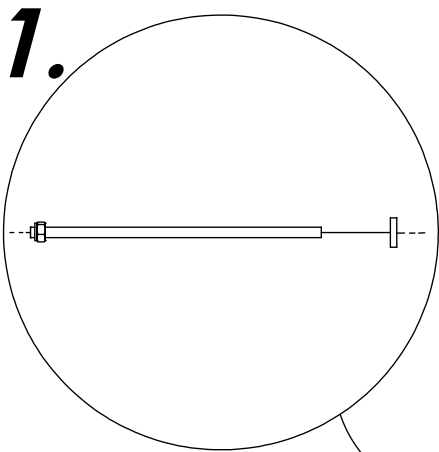
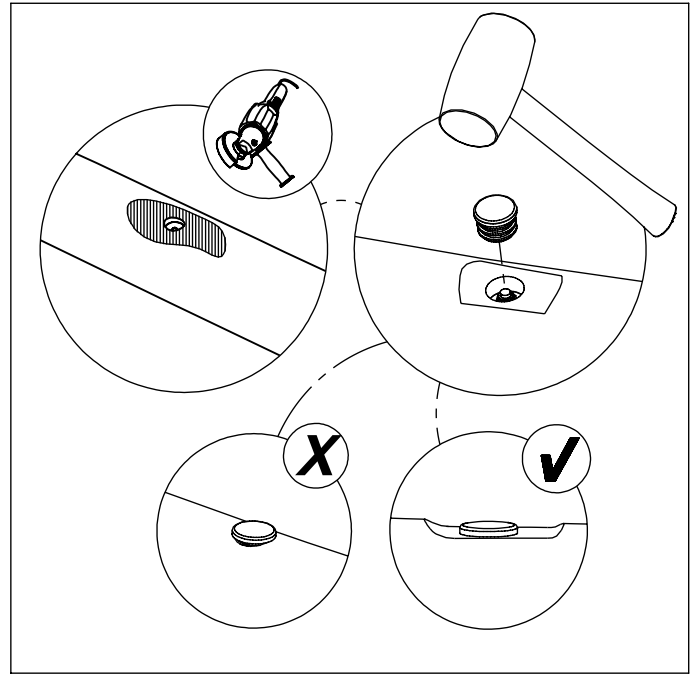
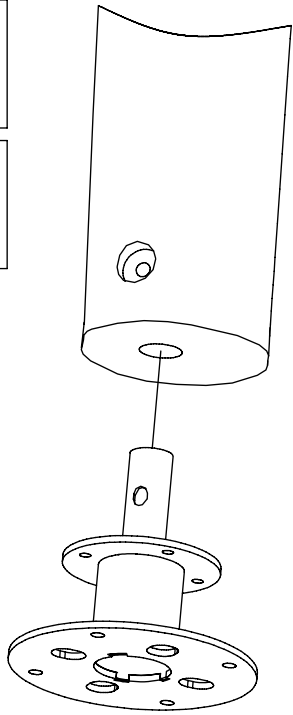
K1

082112
x1

S15l	1x	12e019
S15l	1x	12e030
S6	1x	12e108
	1x	12e007
	5x	12e151
	1x	GL
	15x	8x160sxt
	3x	12e022
	11x	8x80sxt
	22x	8x50sxi
	2x	b392
	38x	5x50sxs
	1x	12e003
	24x	5x30sxs
	4x	b399
	2x	b405
	1x	V001-2
	1x	12e150
K3	2x	12e117
K3	5x	12e109
K3	36x	8x120sxt
K3	4x	8x50sxi
K3	4x	7x35sxi
K3	4x	i128-1

K3

K1



12e109

[cm]

5mm

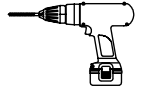
vinci
play

K3

K1

1.

Ø5,5



Ø5,5mm

min. 80mm

8x120sxt

K3

122115

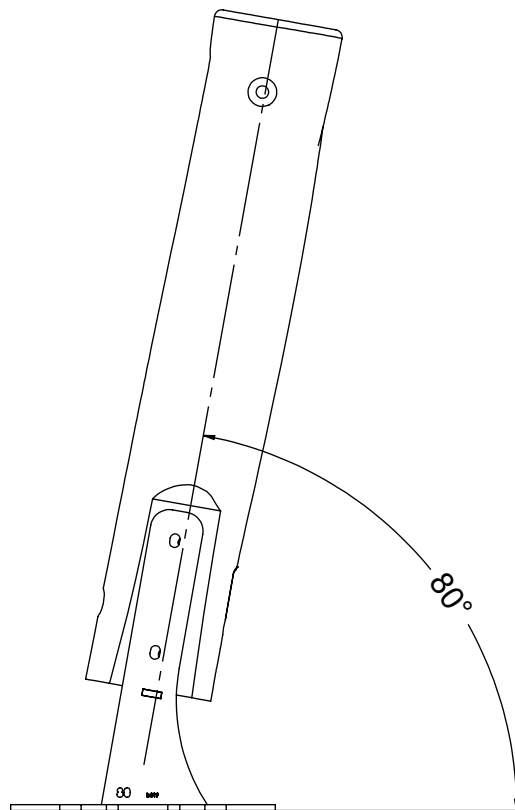
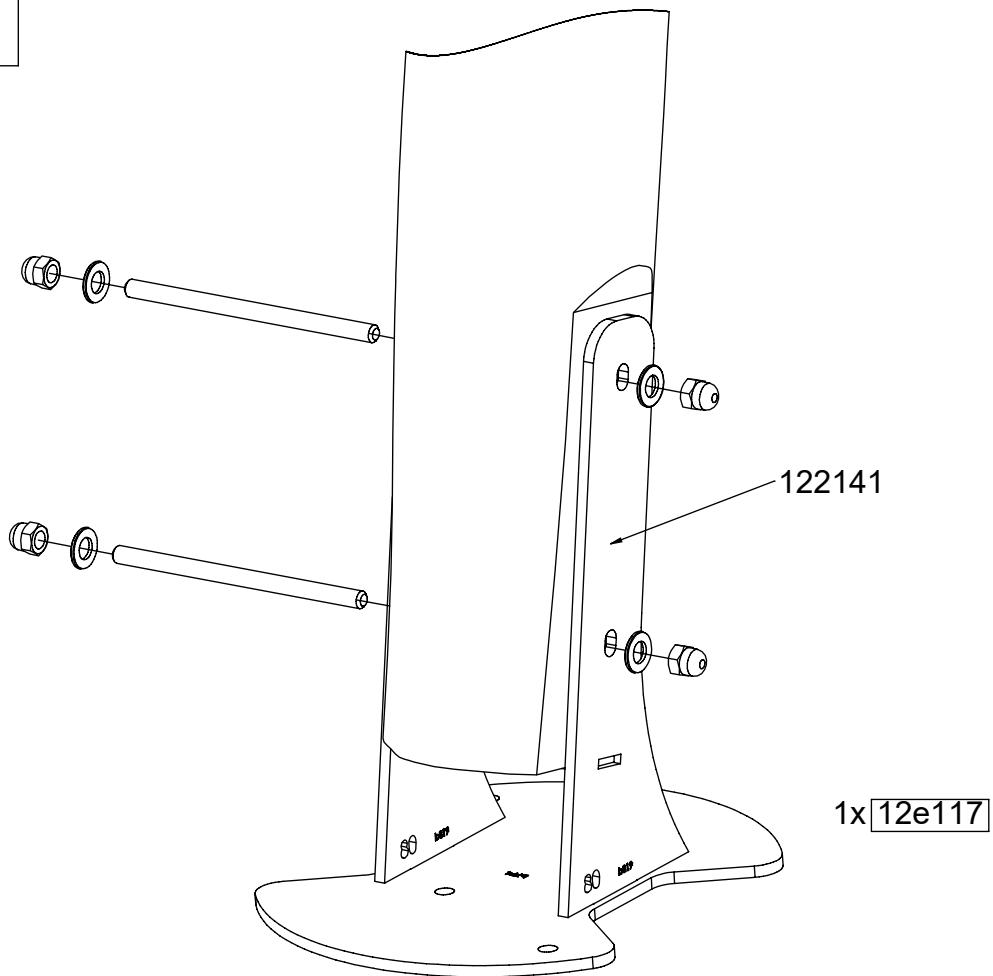
[cm]

K1

122151

vinci
play

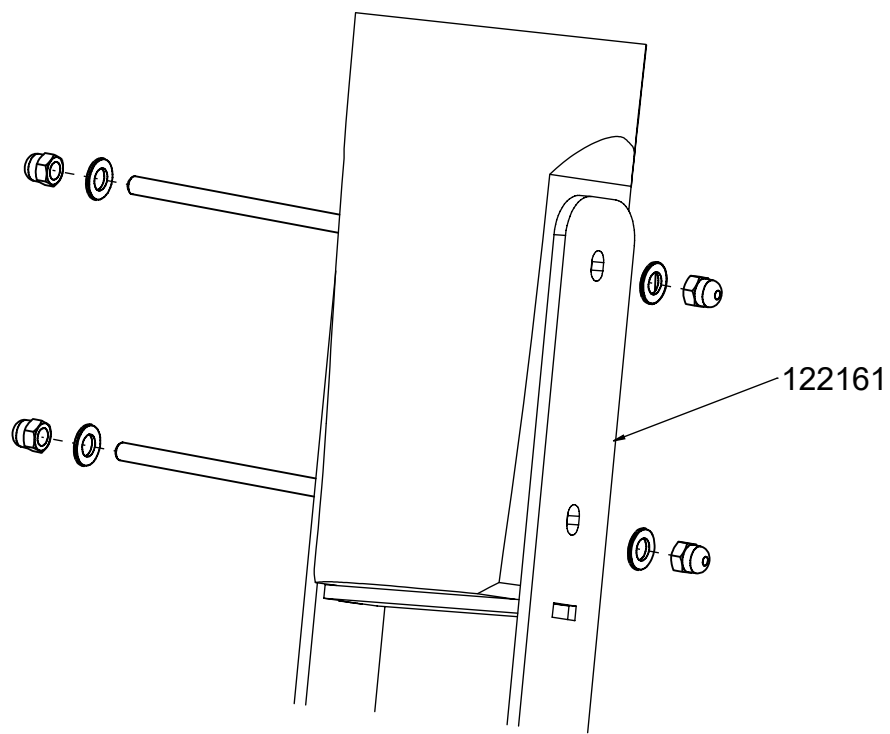
K3



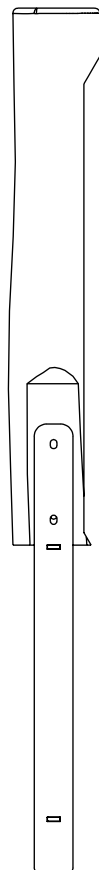
[cm]

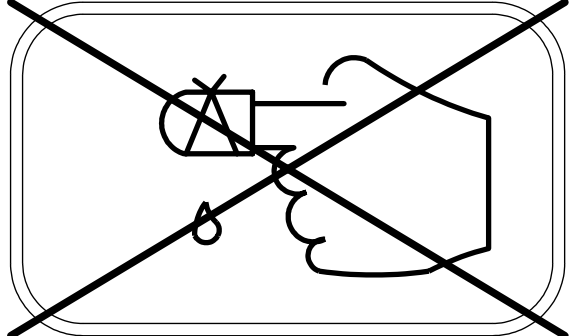
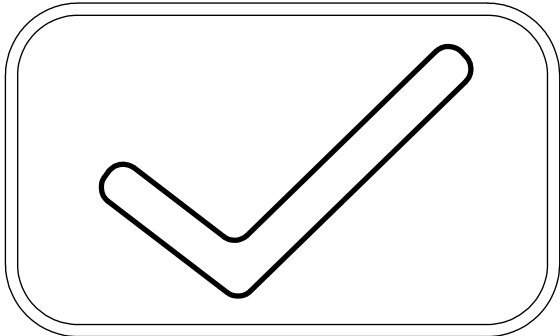
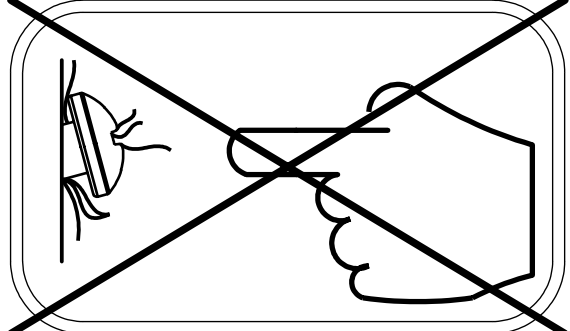
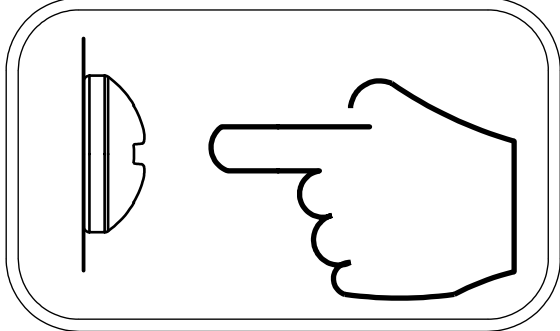
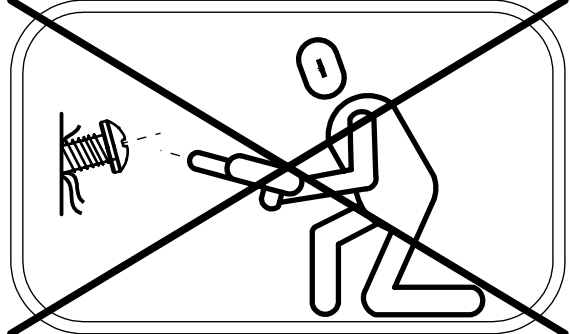
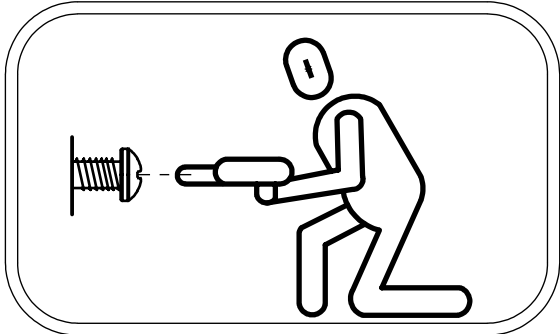
vinci
play

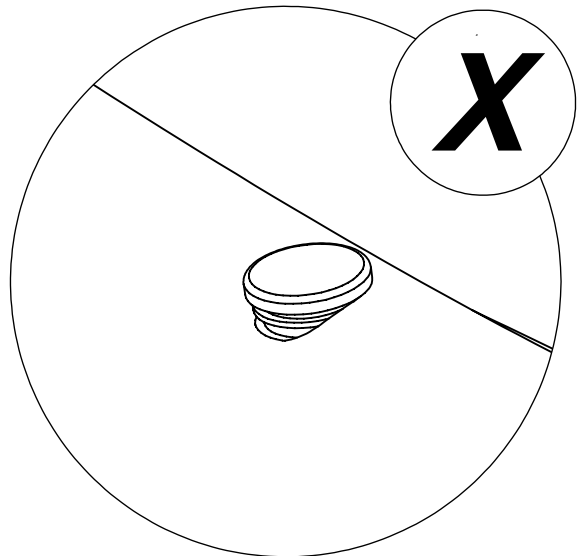
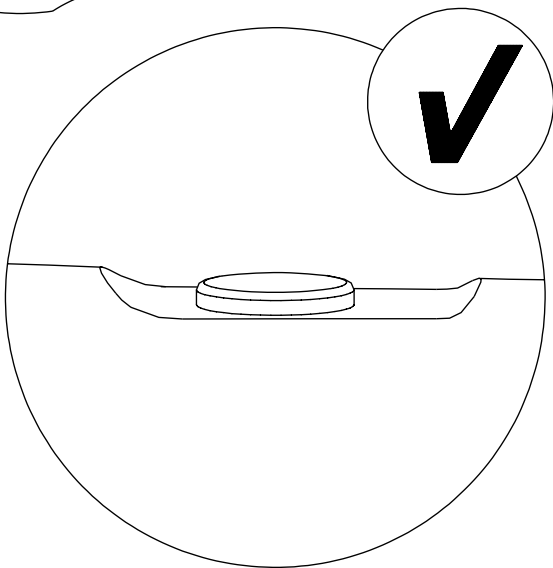
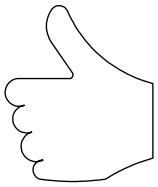
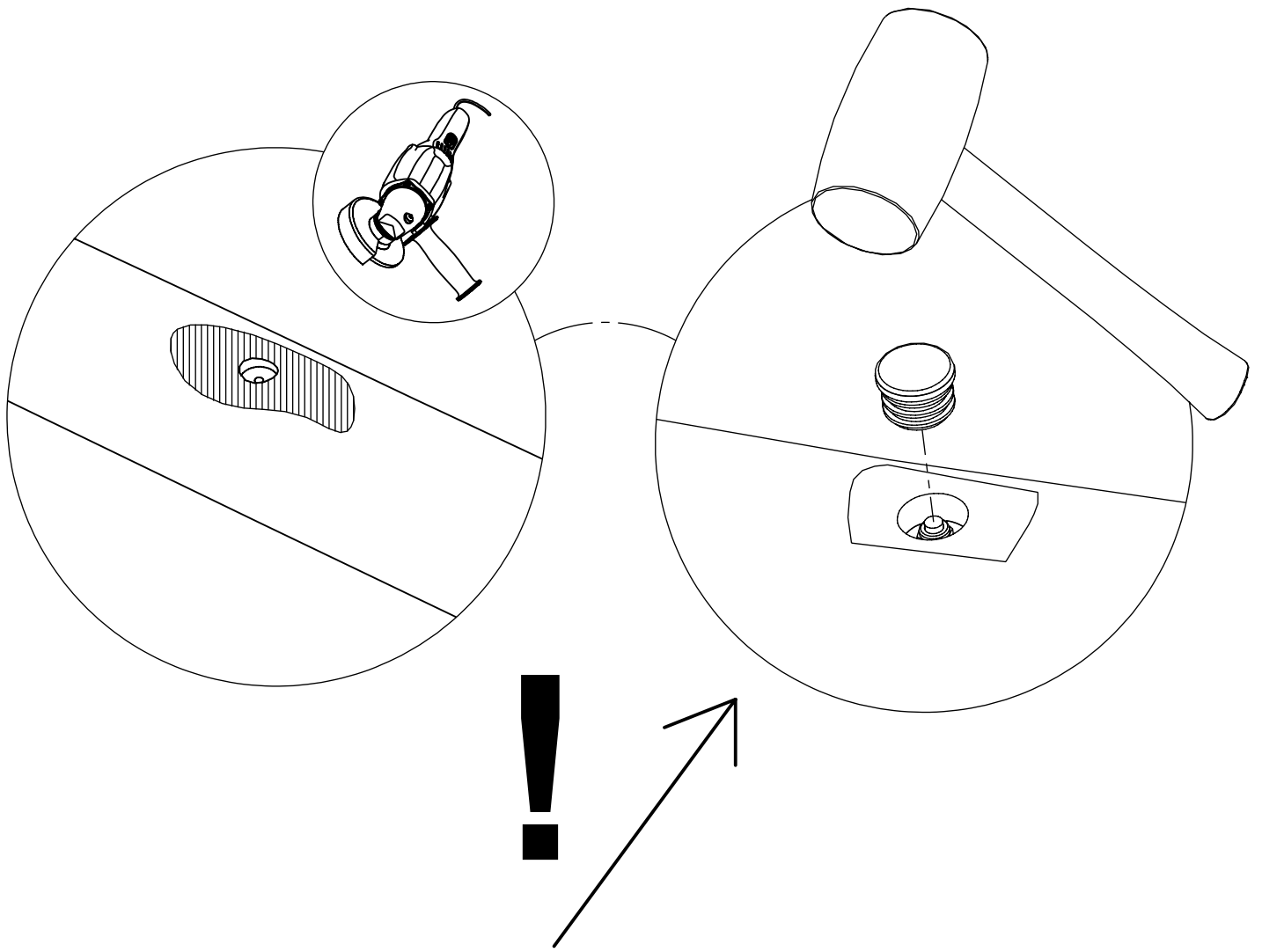
K1



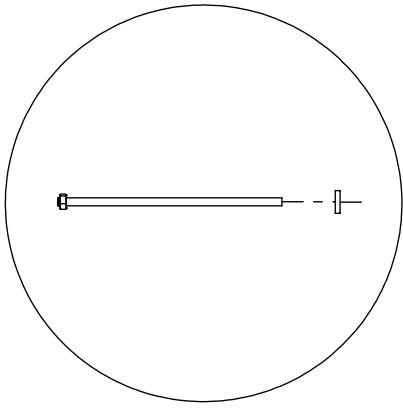
1x 12e117



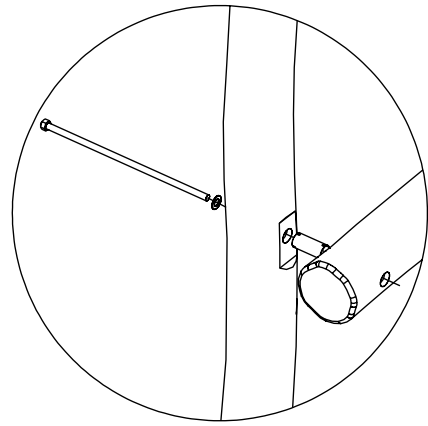




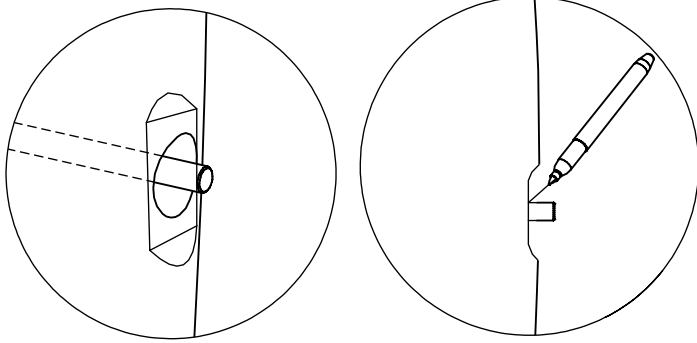
1.



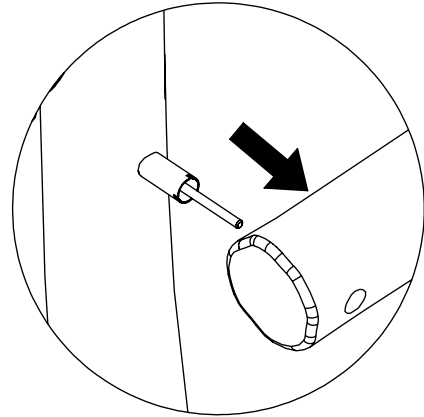
2.



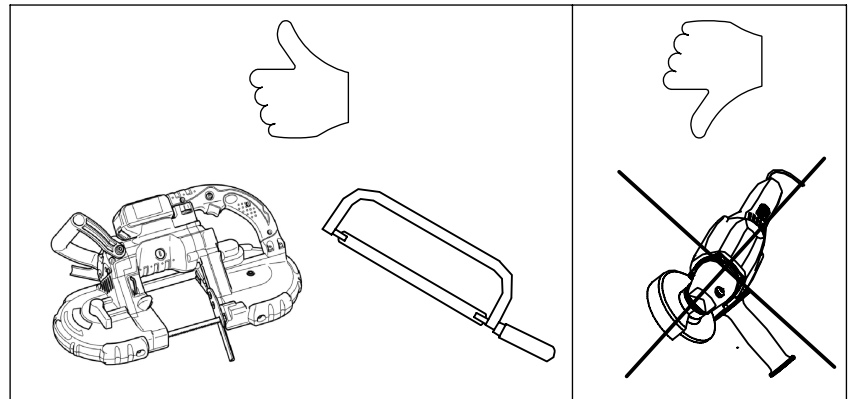
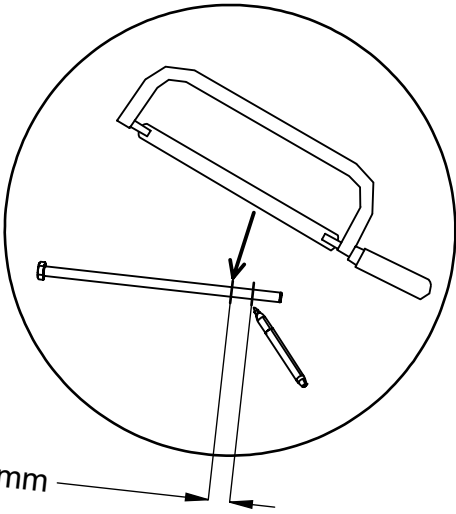
3.



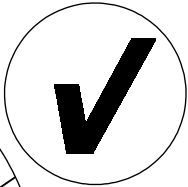
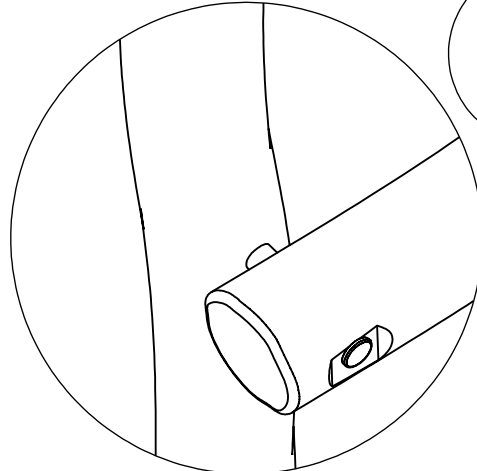
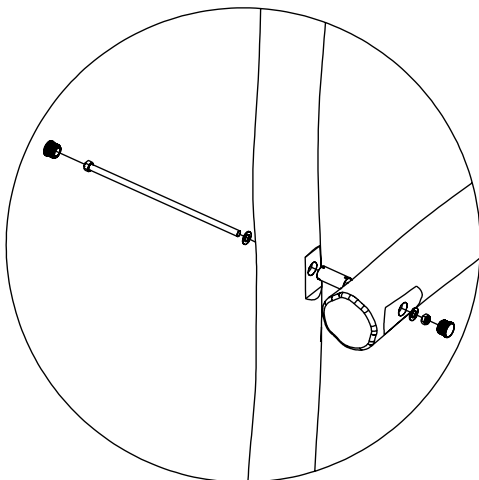
4.



5.



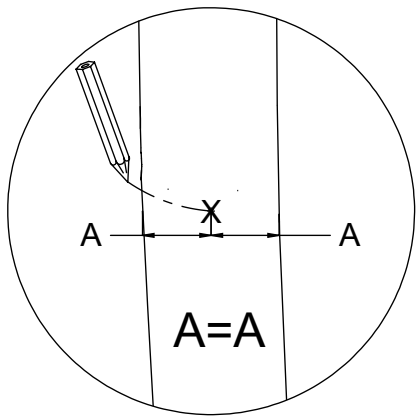
6.



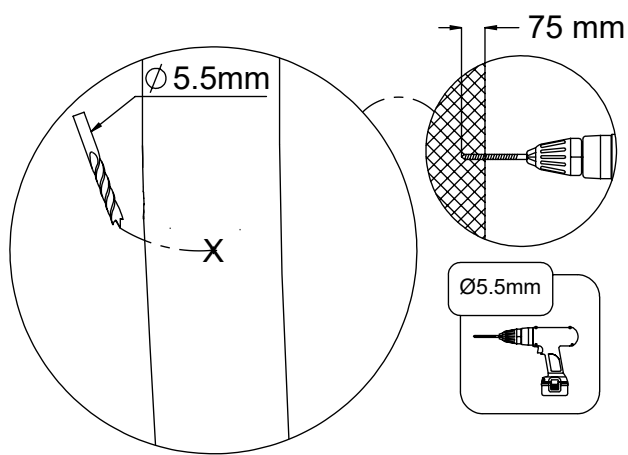
[cm]

vinci play

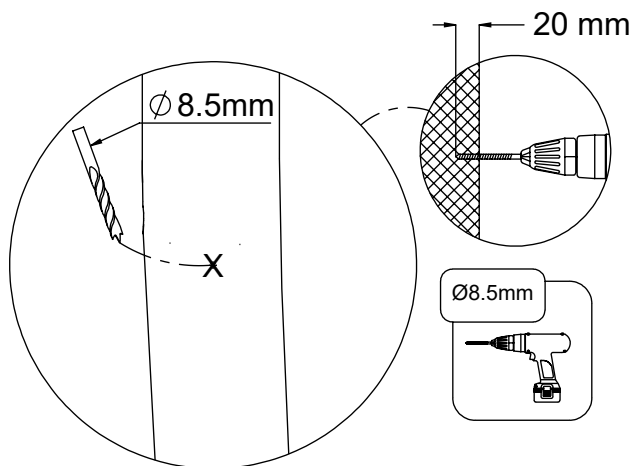
1.



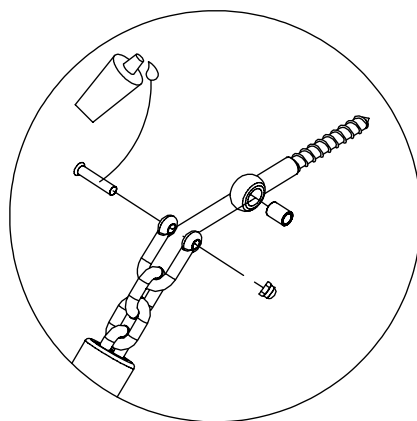
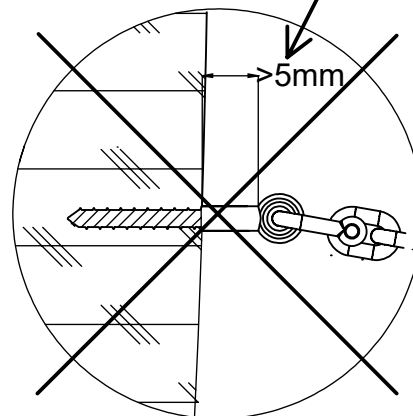
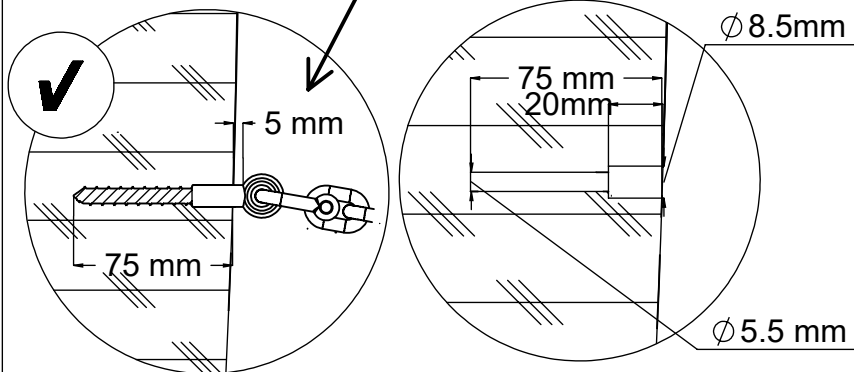
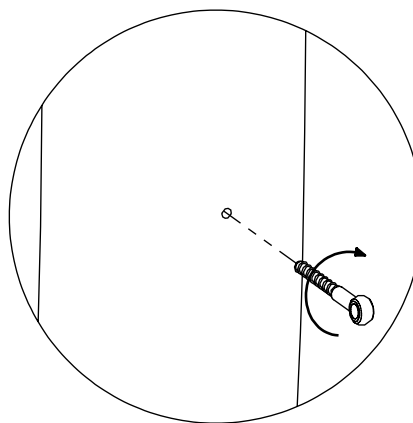
2.



3.

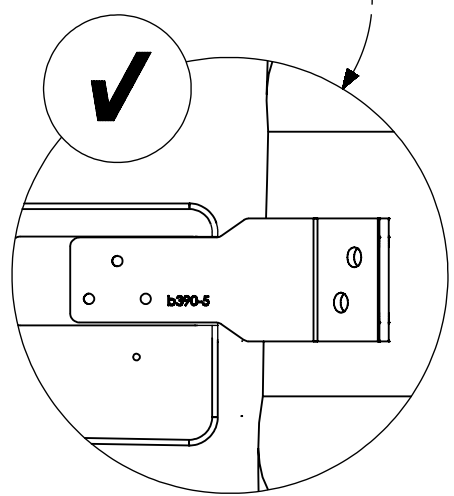
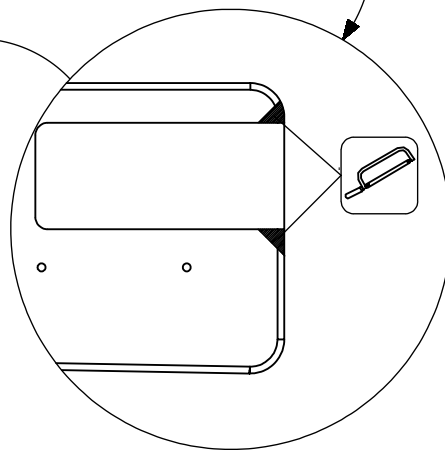
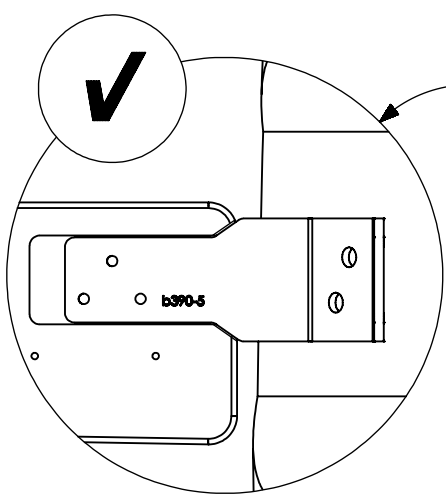
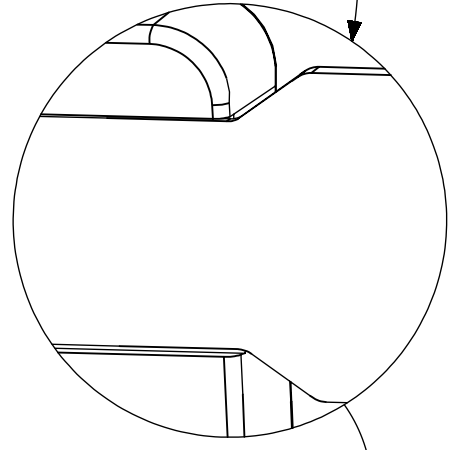
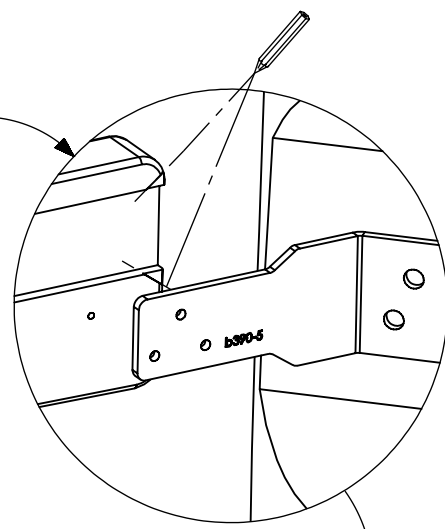
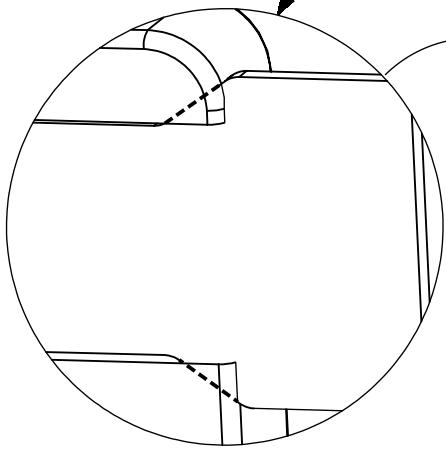
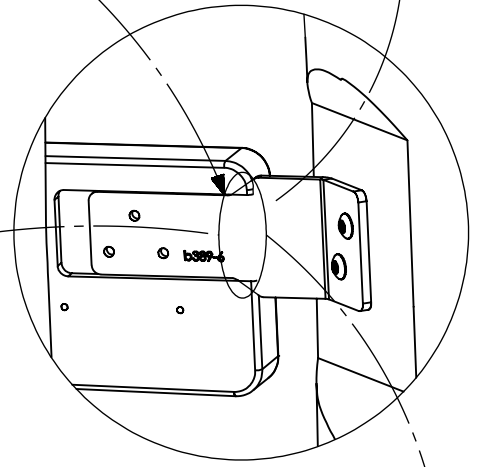
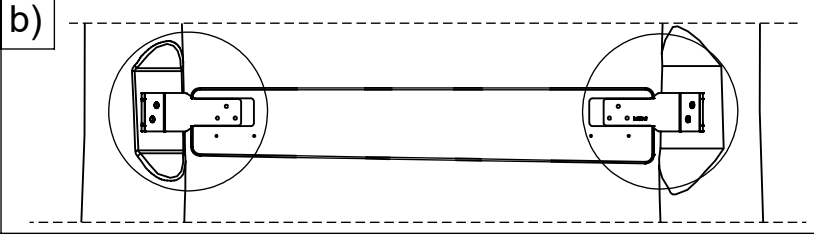
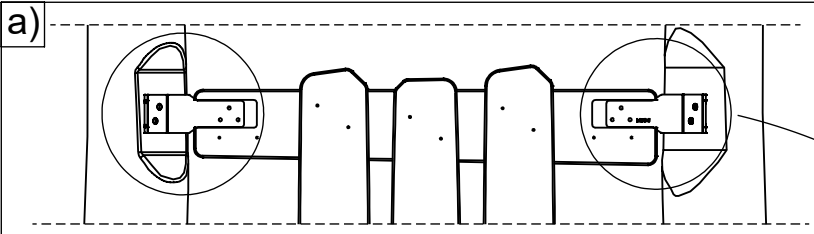


4.



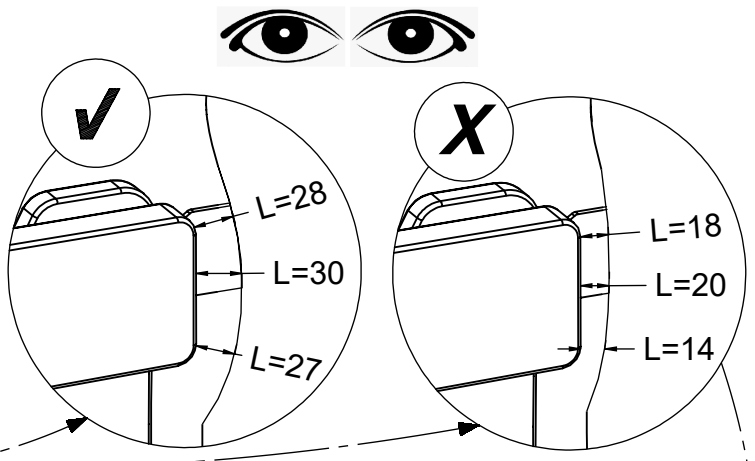
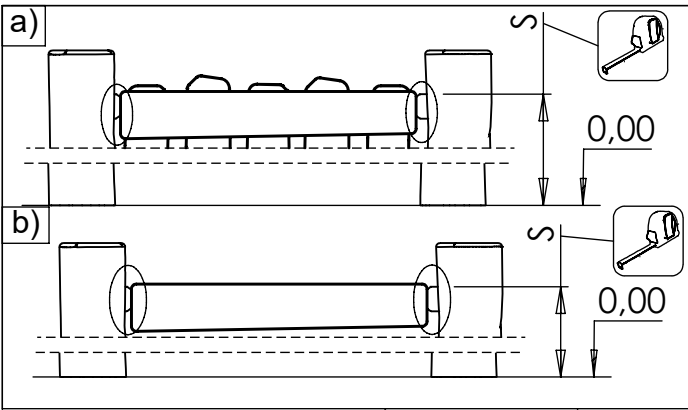
[cm]

vinci play



[cm]

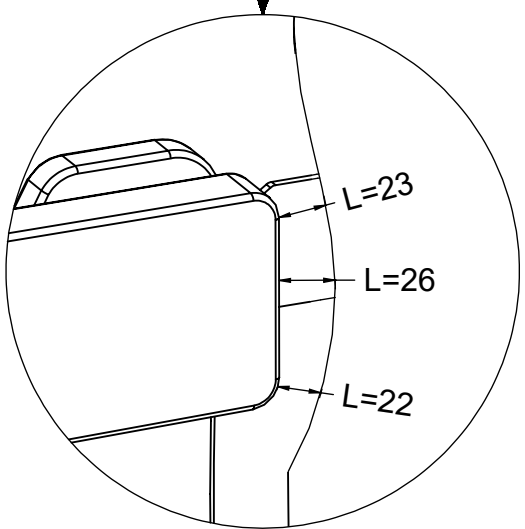
vinci
play




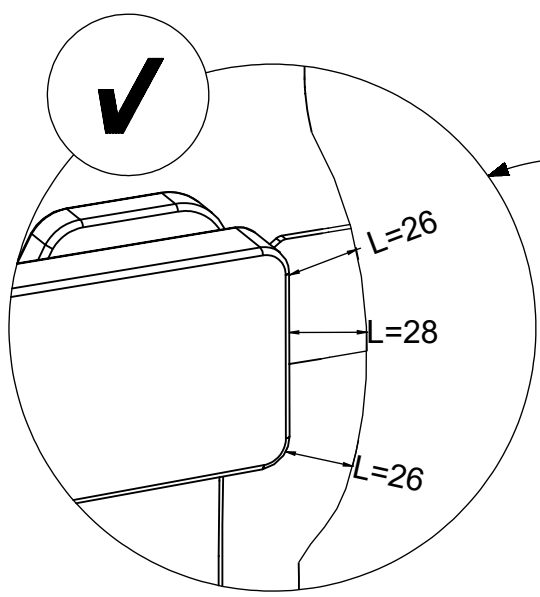
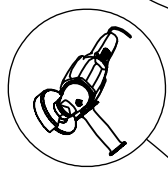
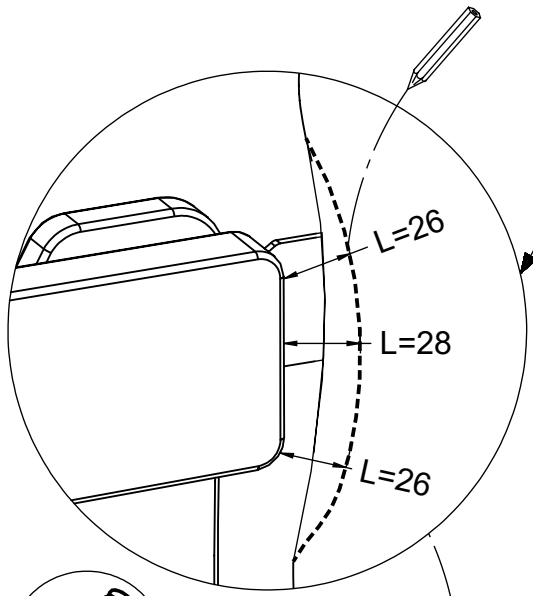
S < 97


S > 97

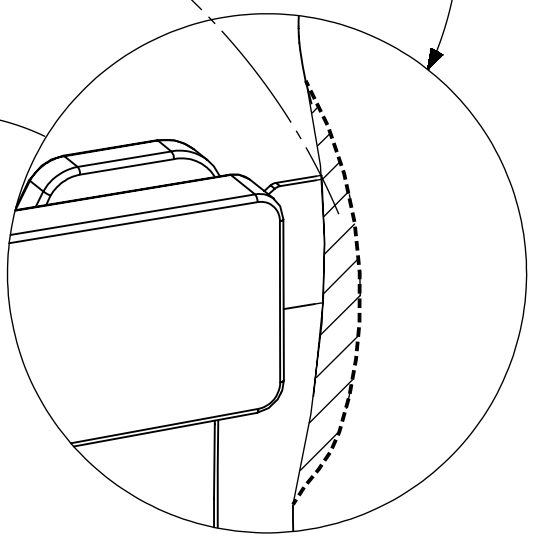
L > 25mm	✓	L < 30mm	X
----------	---	----------	---



L > 25mm	✓	
L ≤ 25mm	✓	



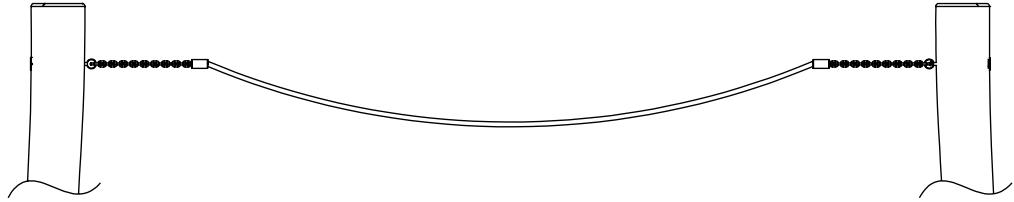
L > 30mm	✓	
----------	---	---



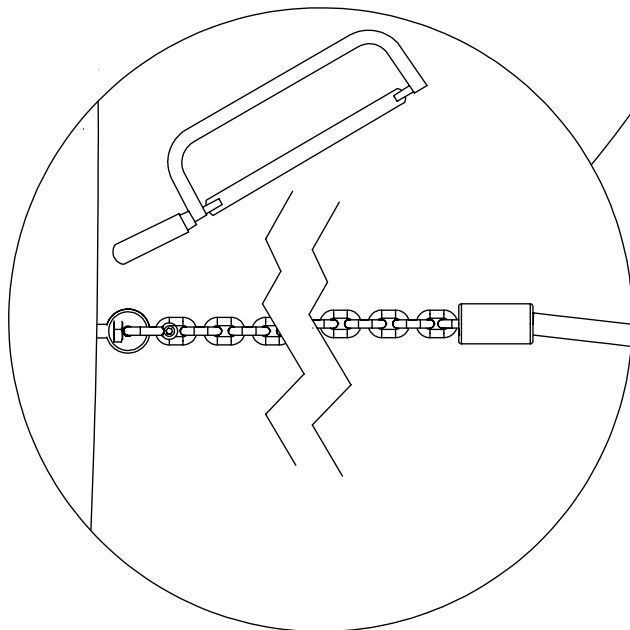
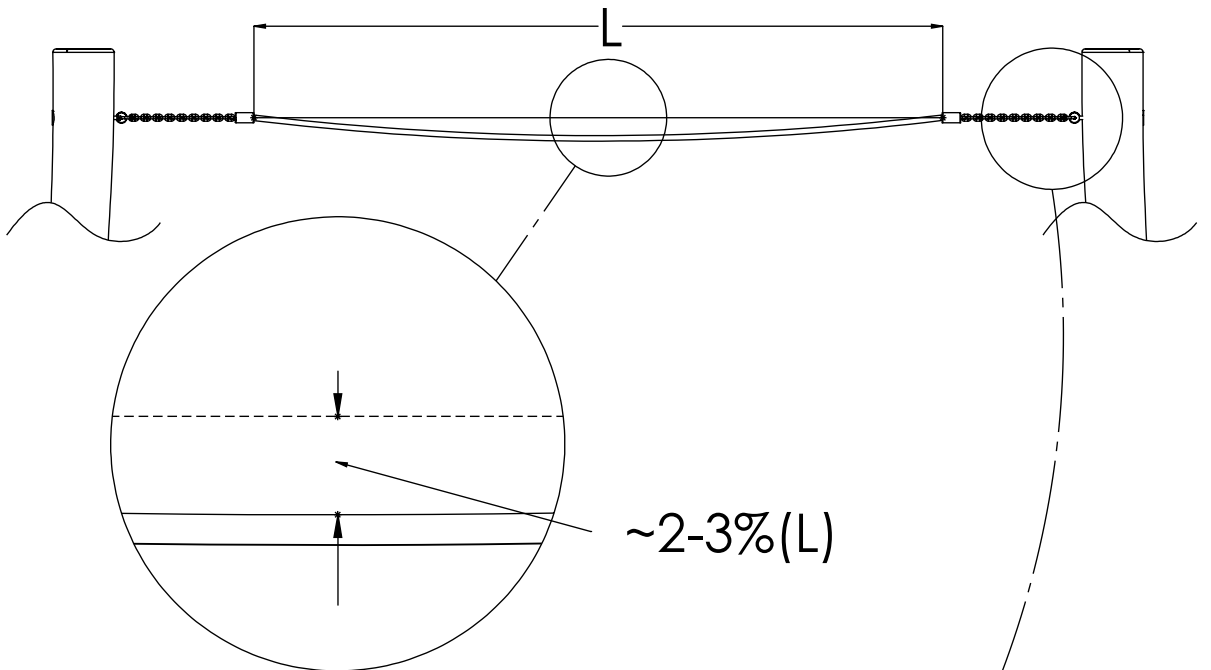
X

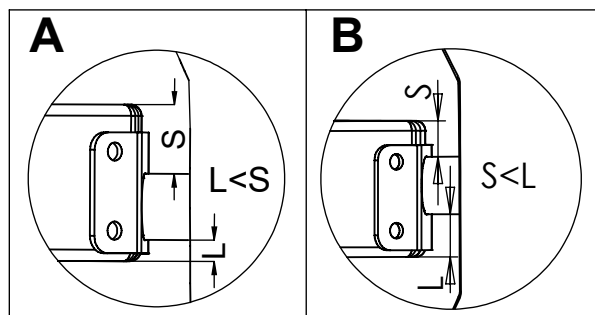
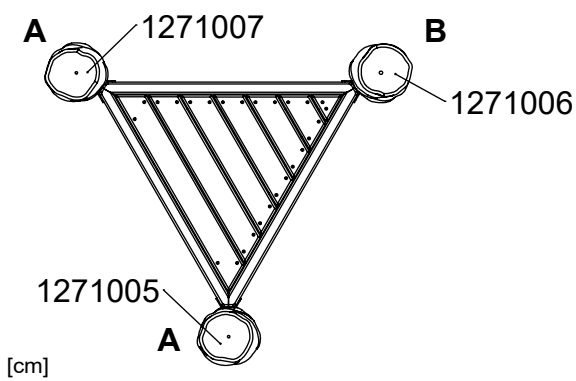
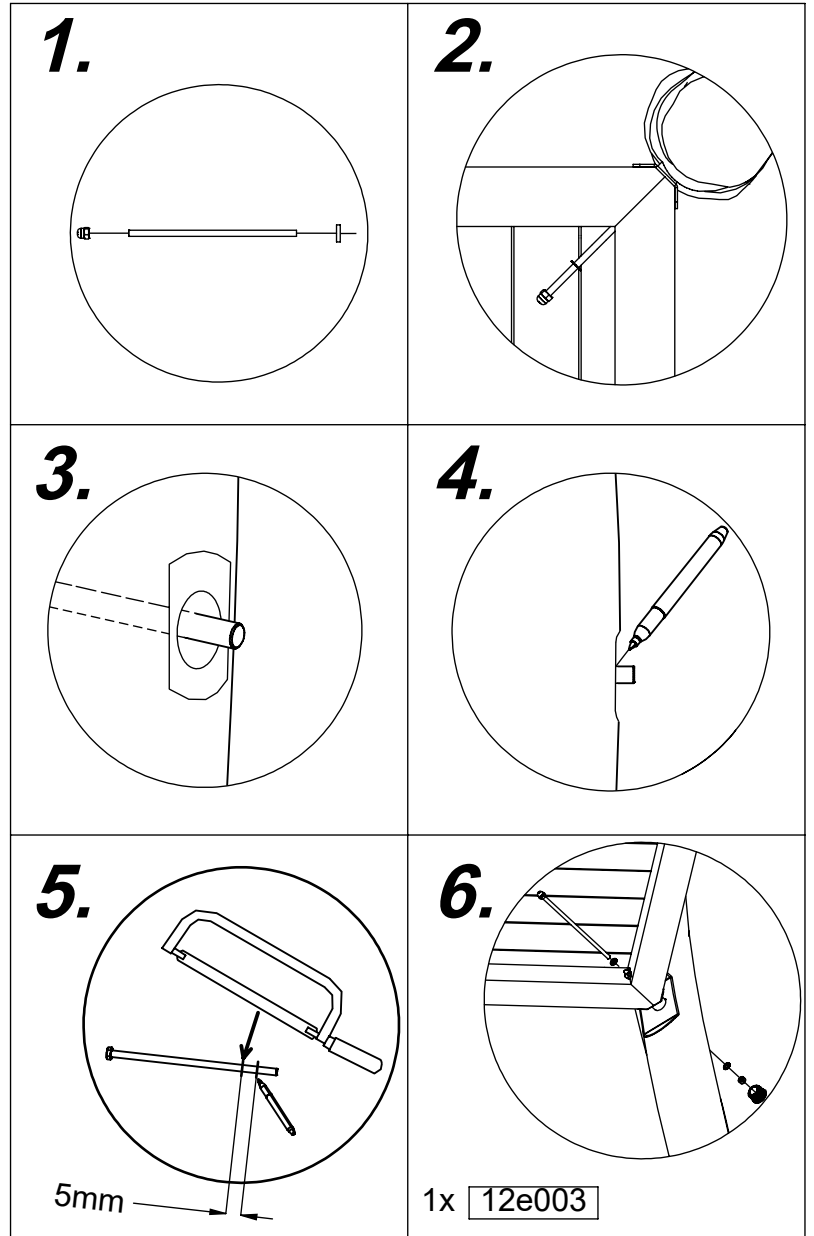
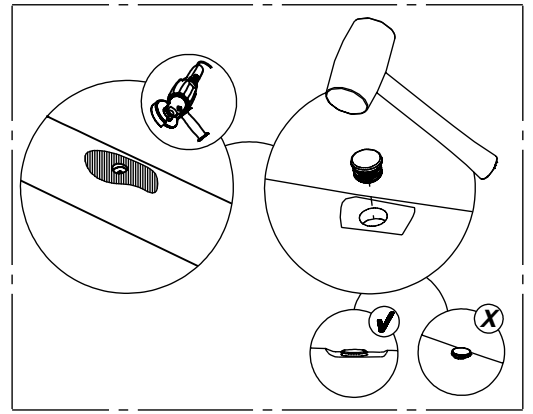
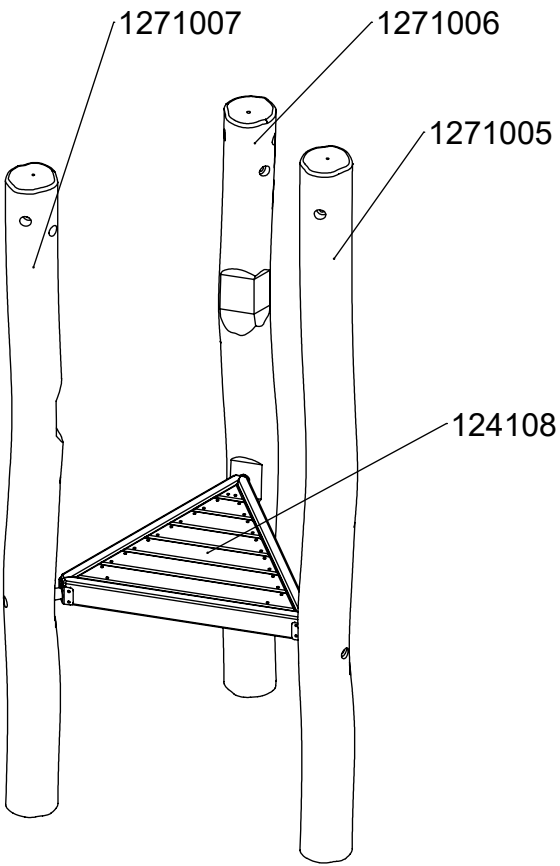


X



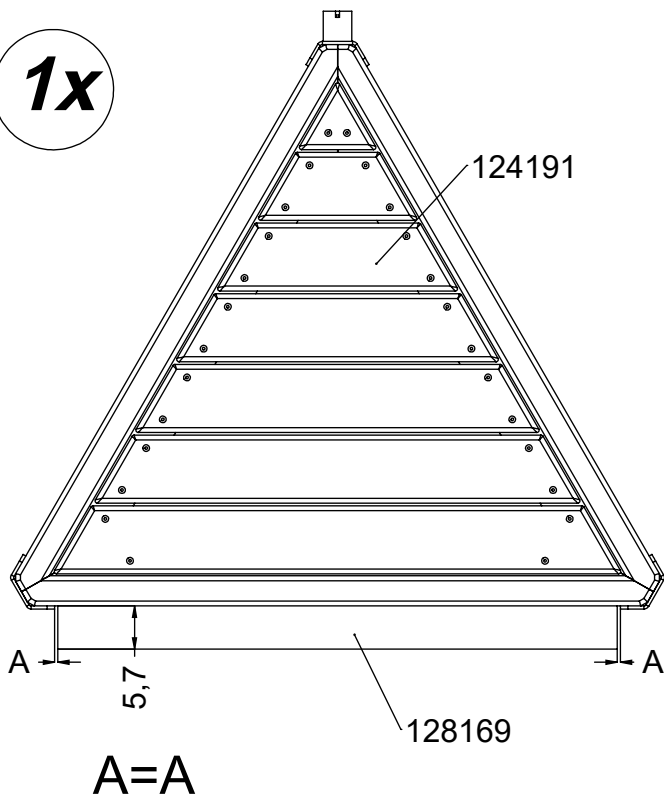
V



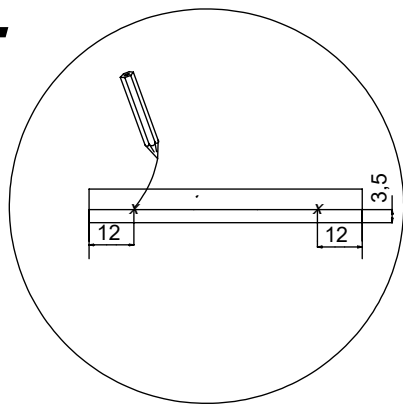


vinci
play

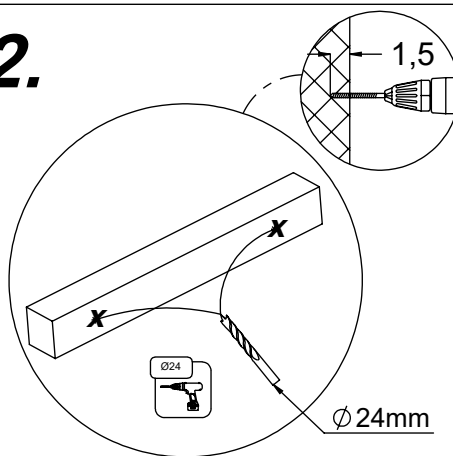
1x



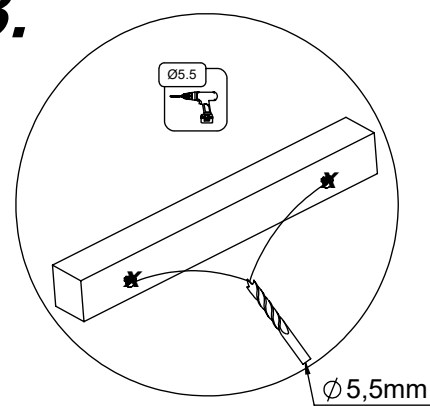
1.



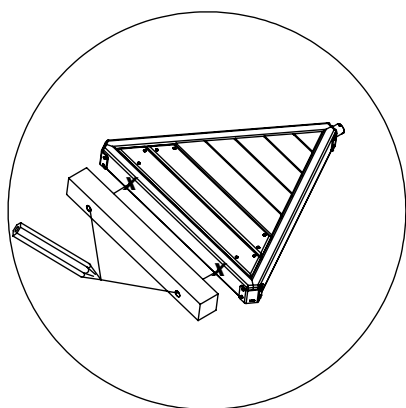
2.



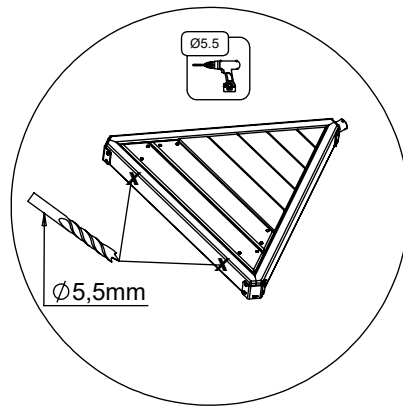
3.



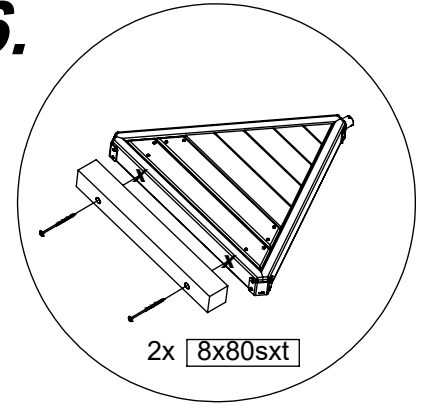
4.



5.

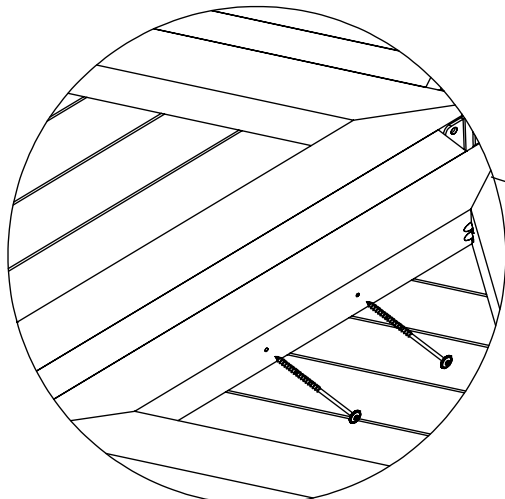
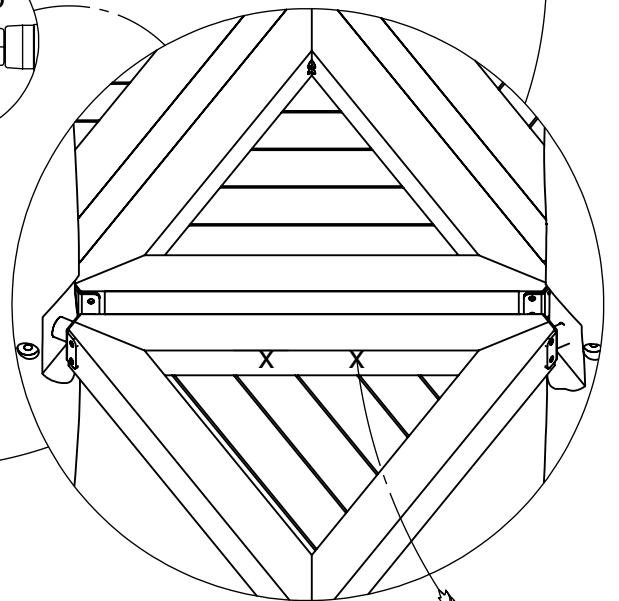
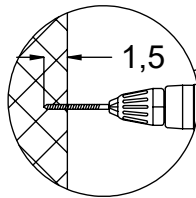
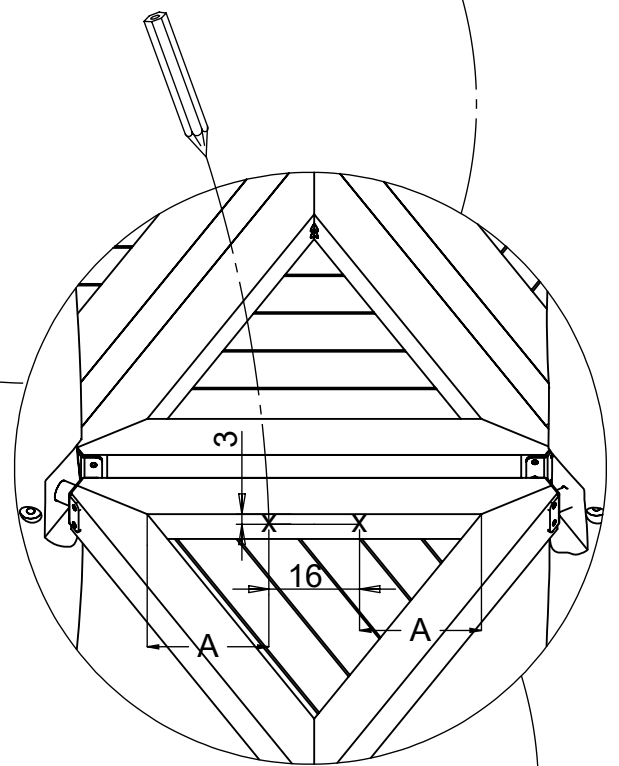
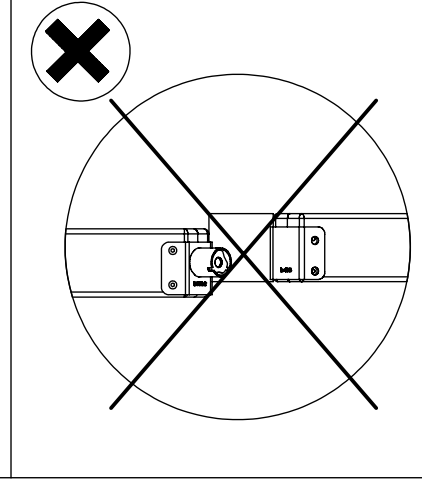
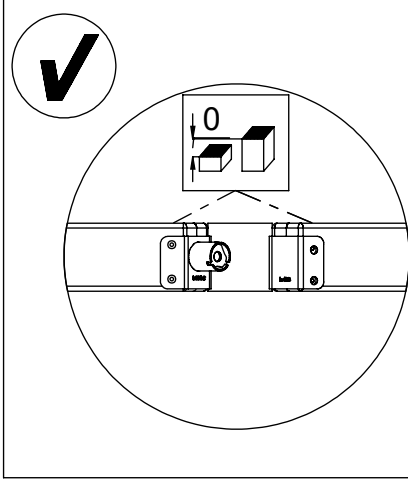
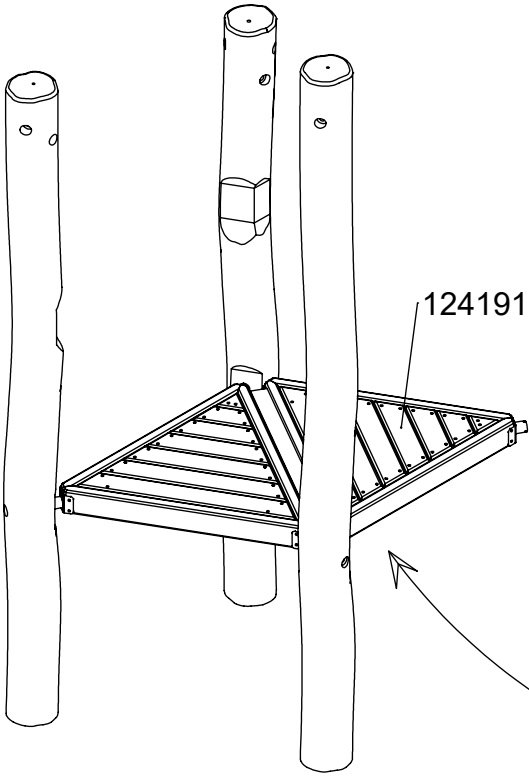


6.



[cm]

vinci
play

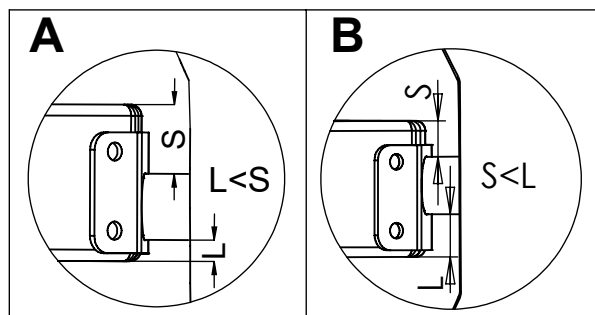
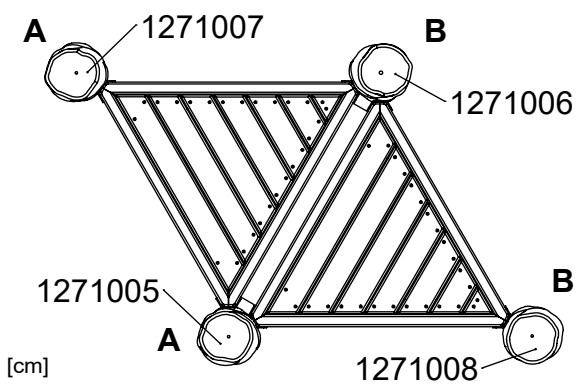
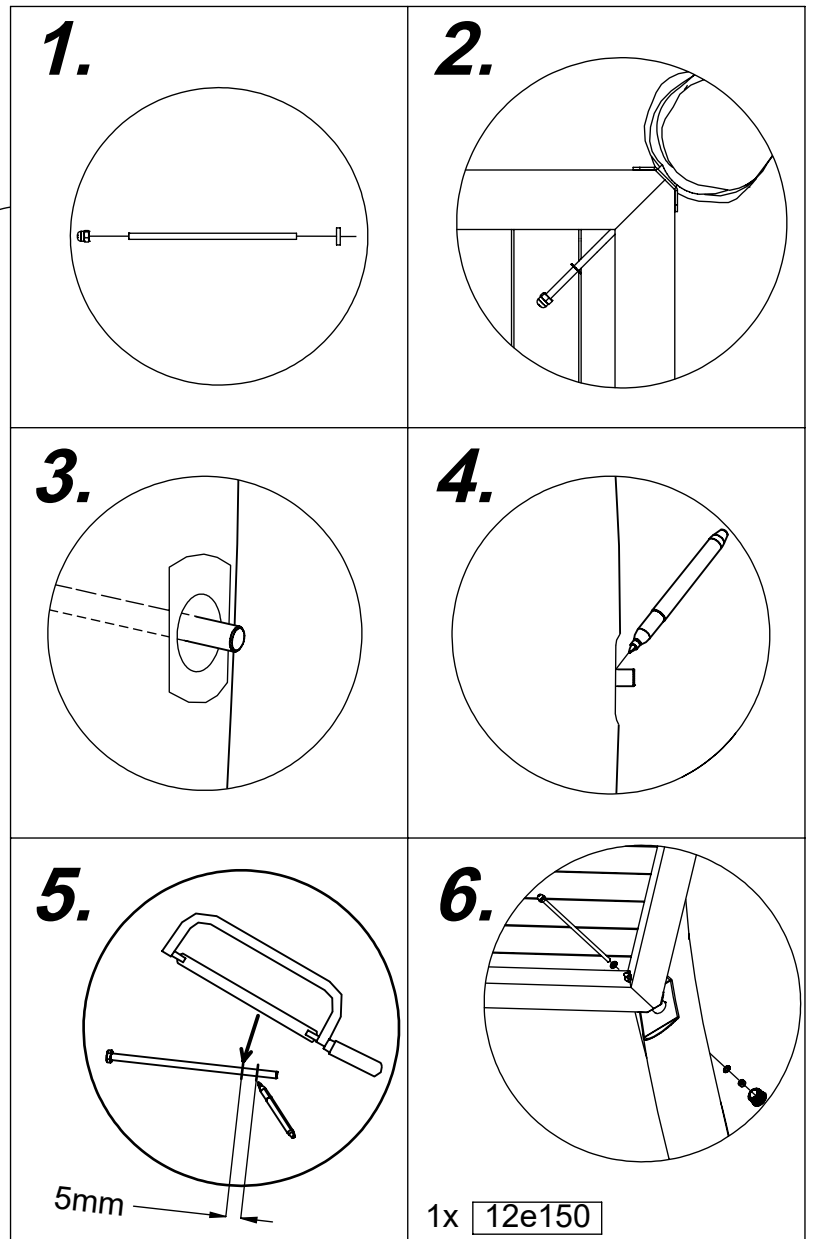
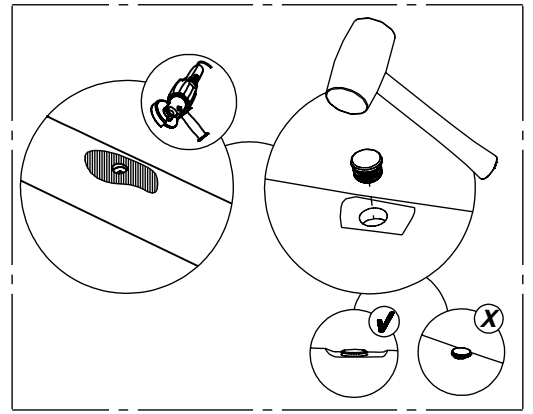
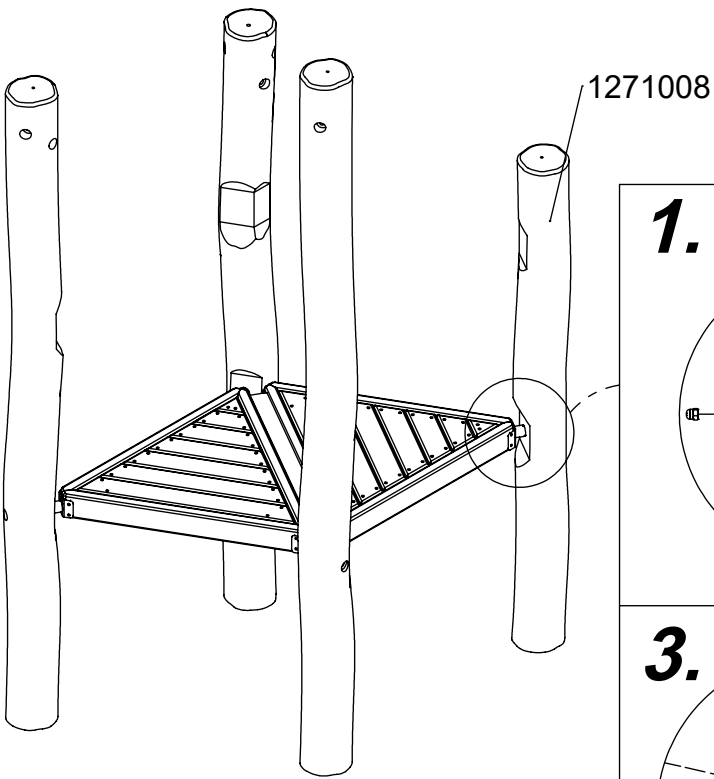


Ø 5,5mm

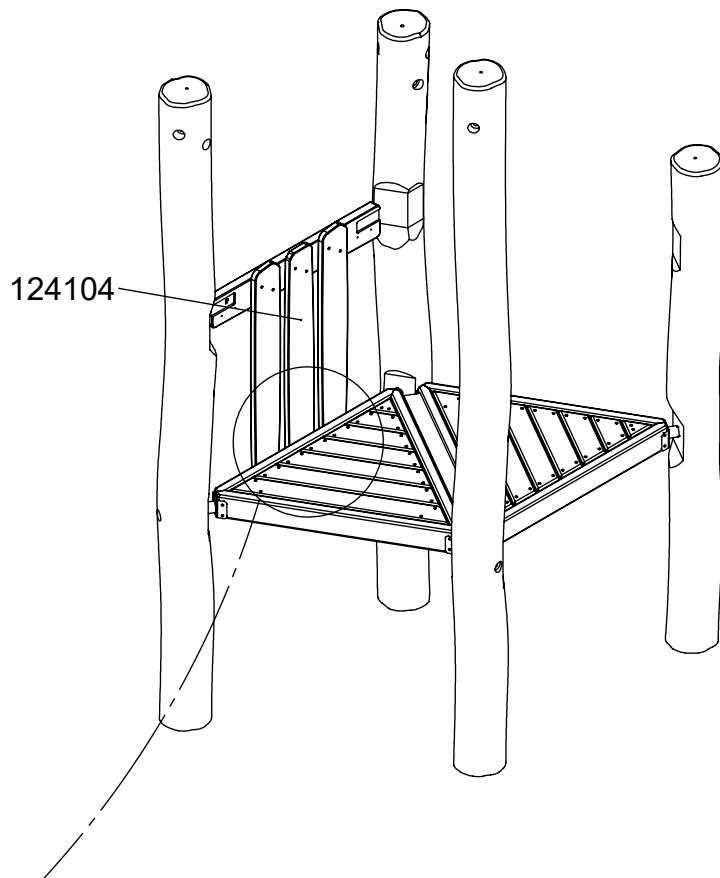
[cm]

2x 8x160sxt

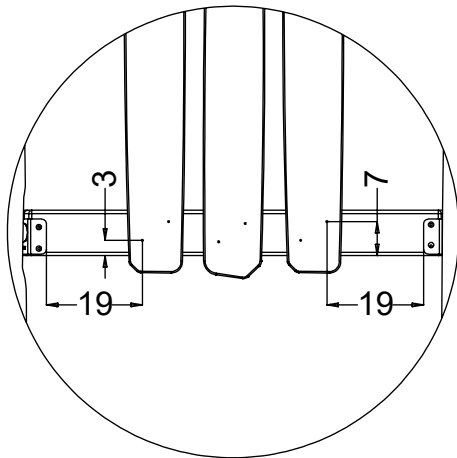
vinci
play



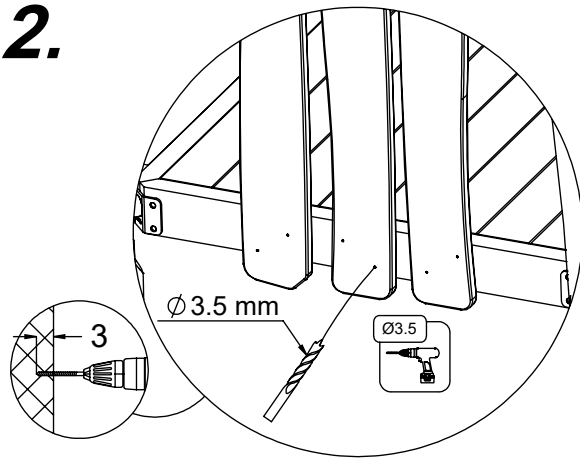
vinci
play



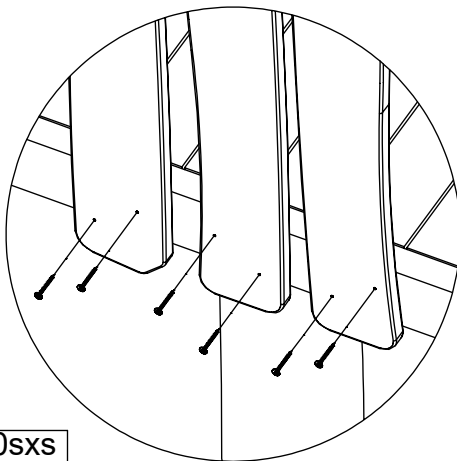
1.



2.



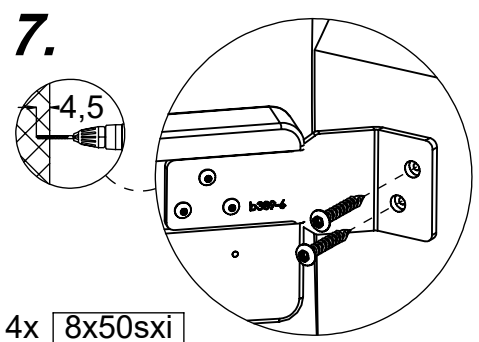
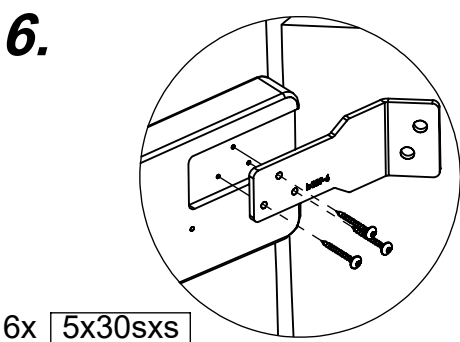
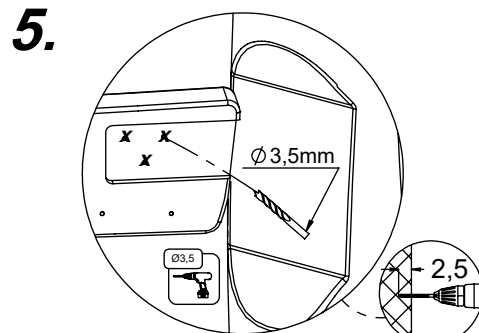
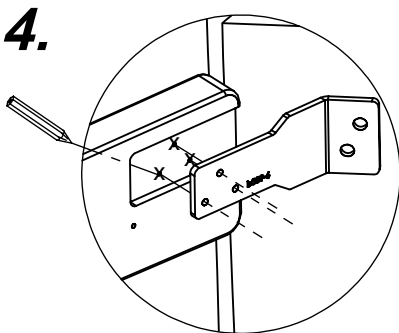
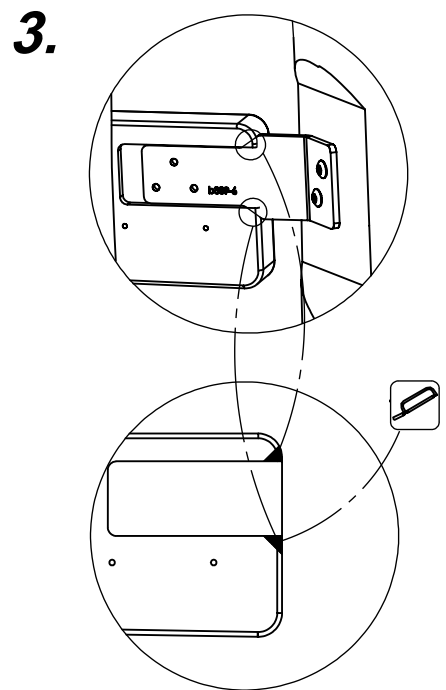
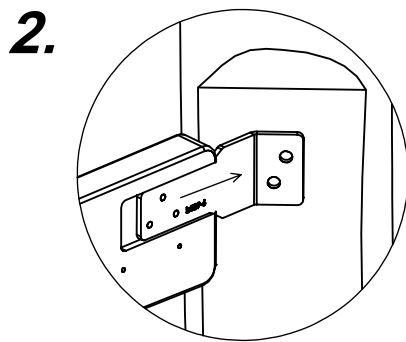
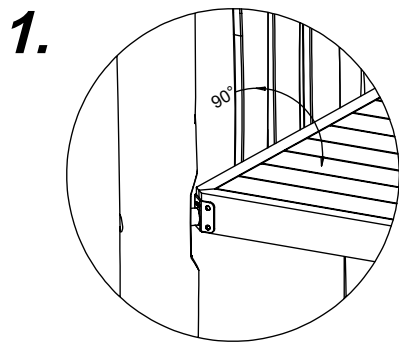
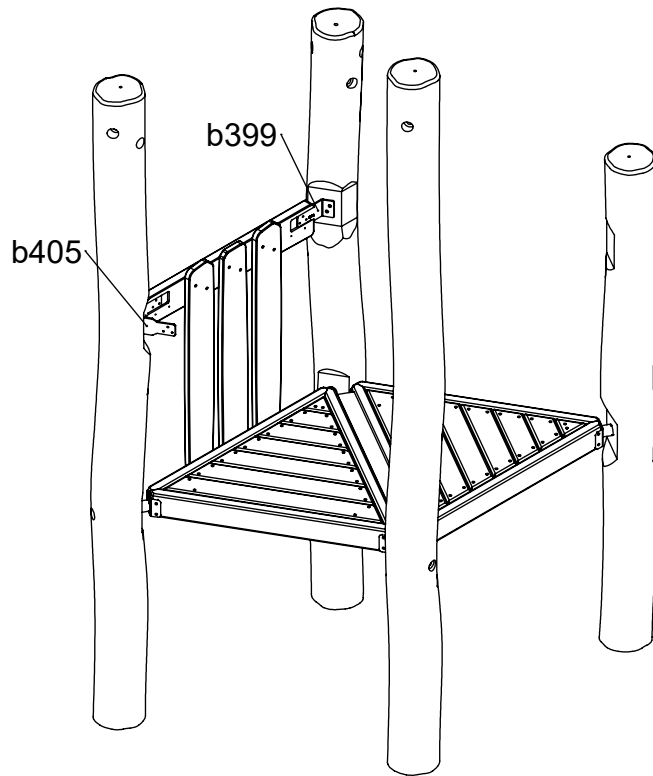
3.



6x 5x50sxs

[cm]

vinci
play

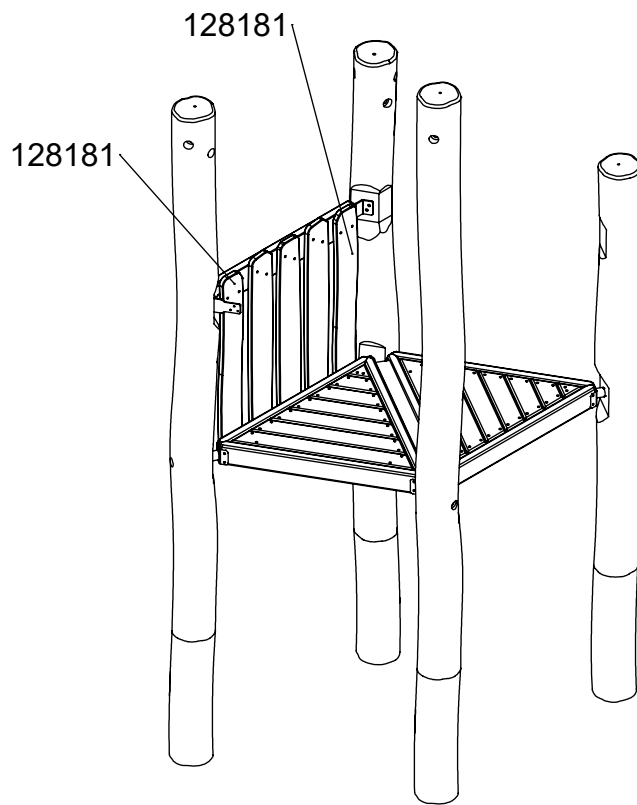


6x 5x30sxs

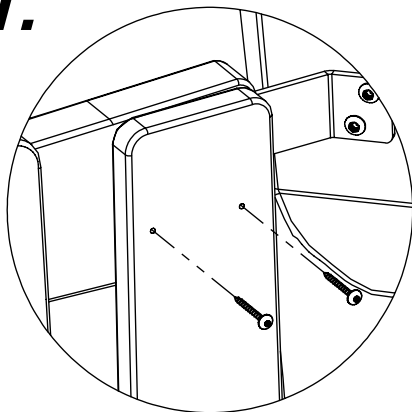
4x 8x50sxi

[cm]

vinci
play



1.

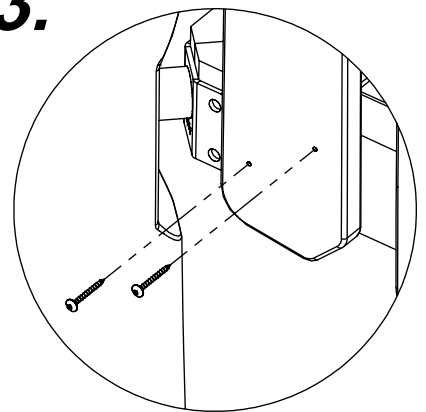


4x **5x50sxs**

2.

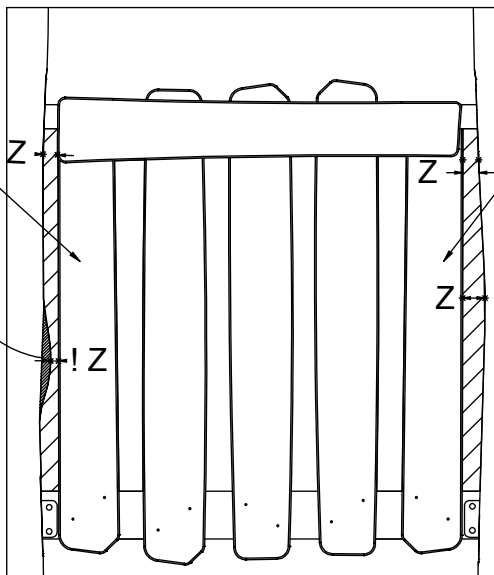


3.



4x **5x50sxs**

128181

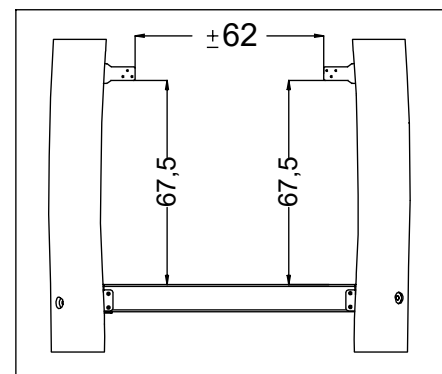
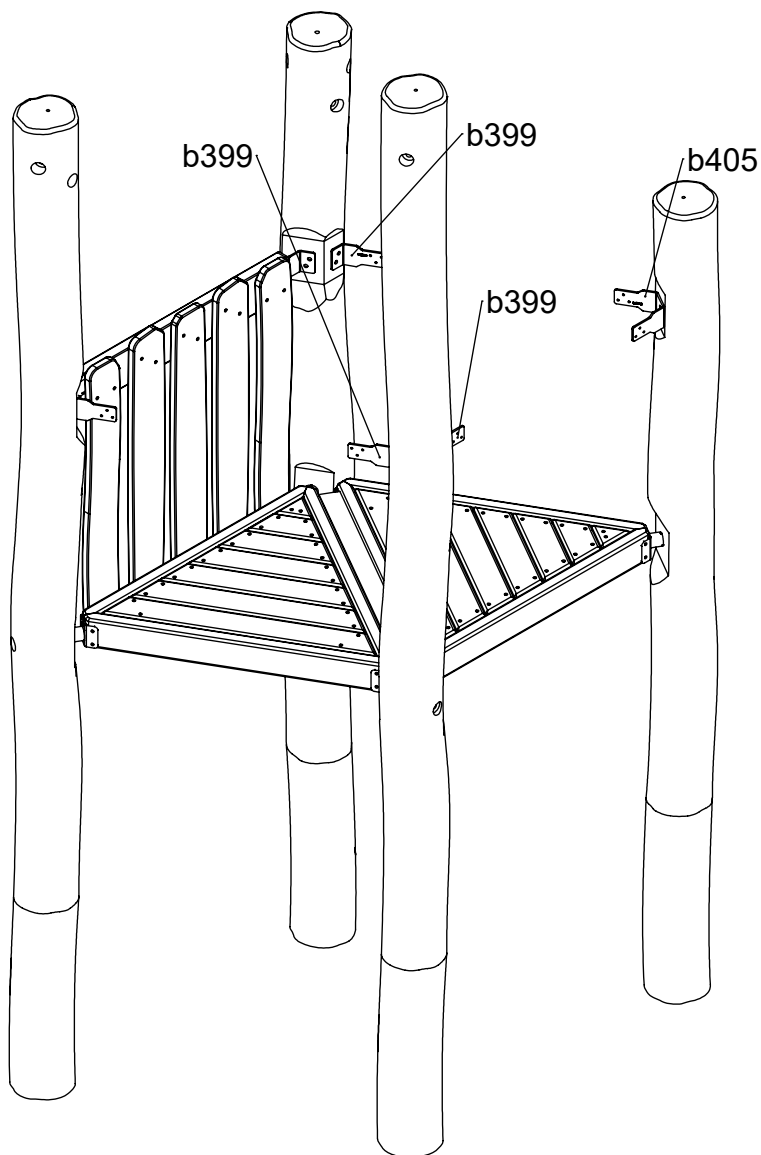


128181

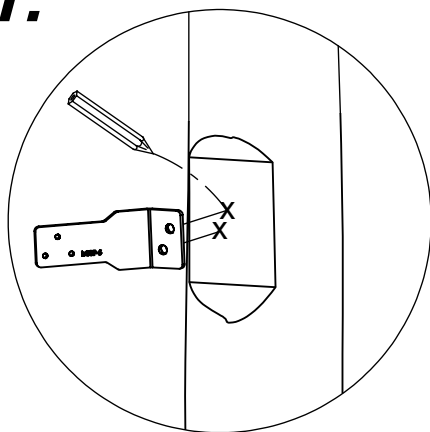
! **30mm < Z < 85mm**

[cm]

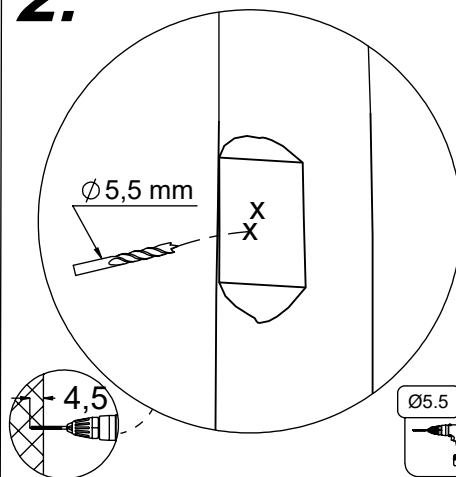
vinci
play



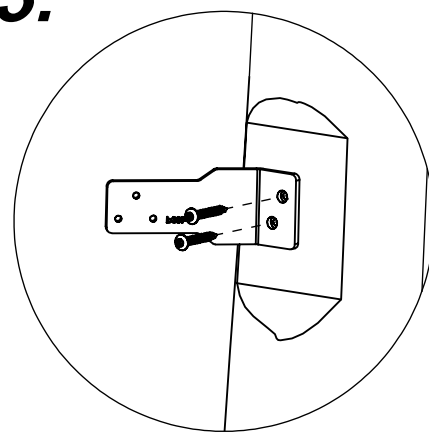
1.



2.



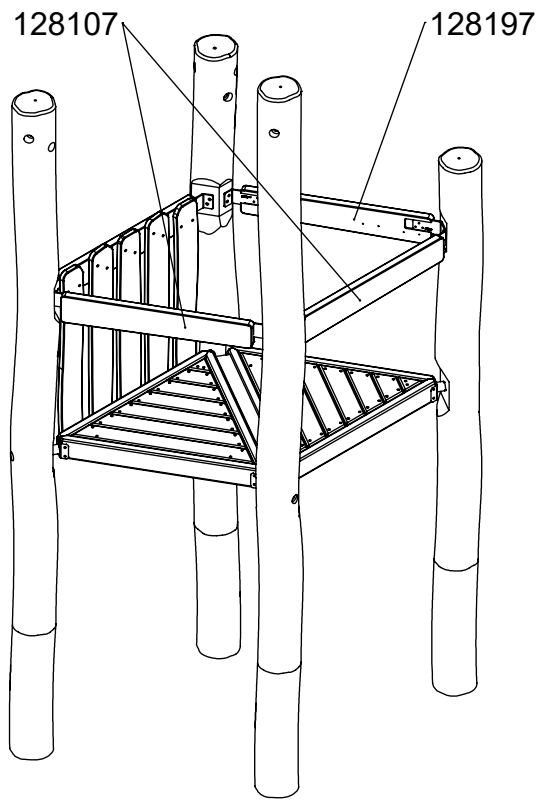
3.



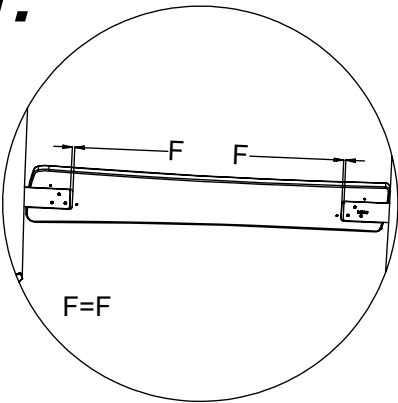
8x 8x50sxi

[cm]

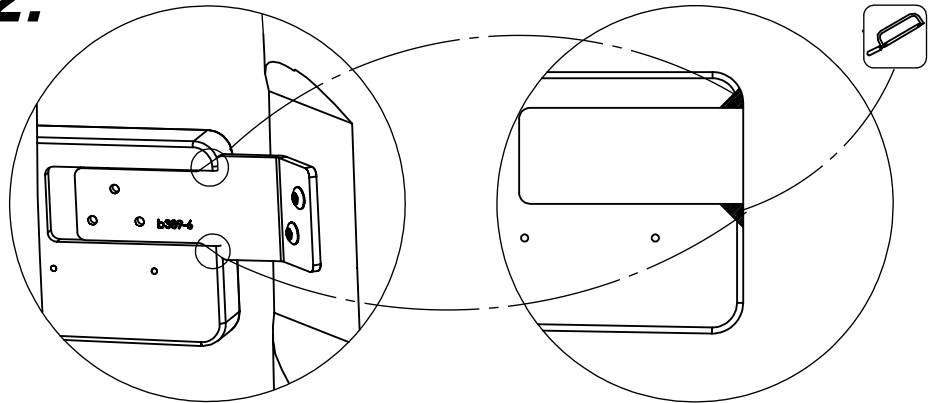
vinci
play



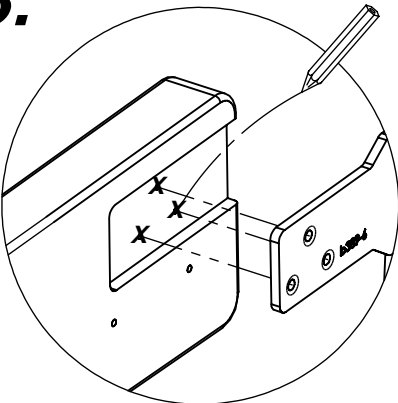
1.



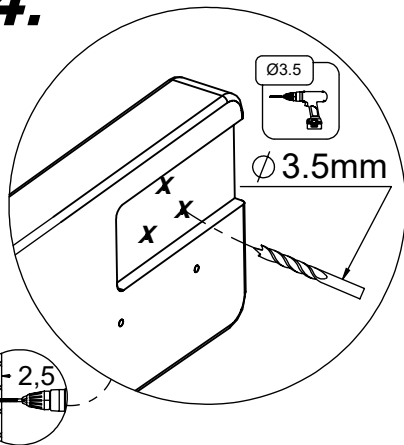
2.



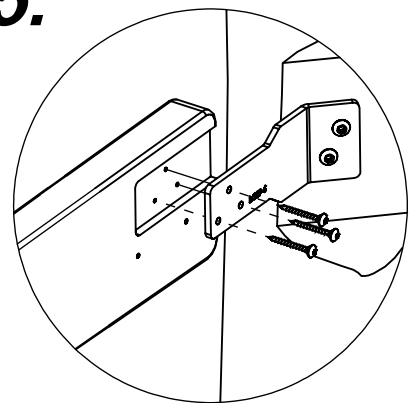
3.



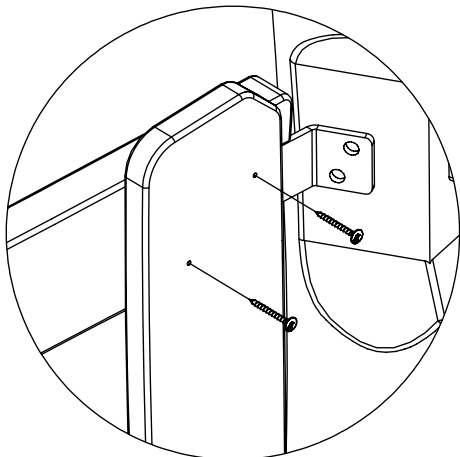
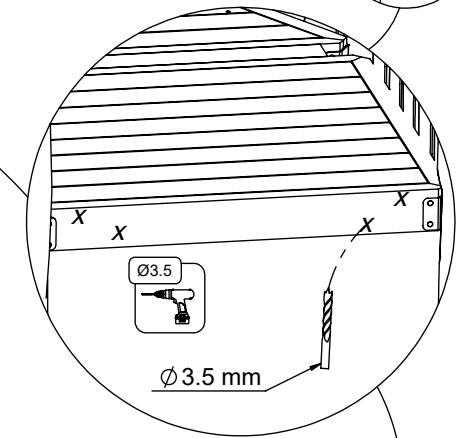
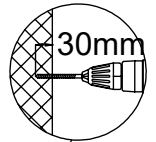
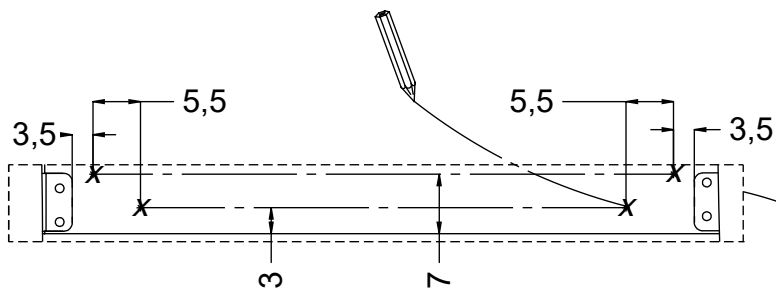
4.



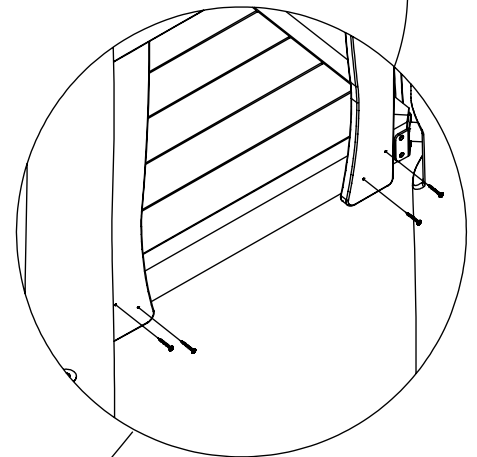
5.



18x 5x30sxs



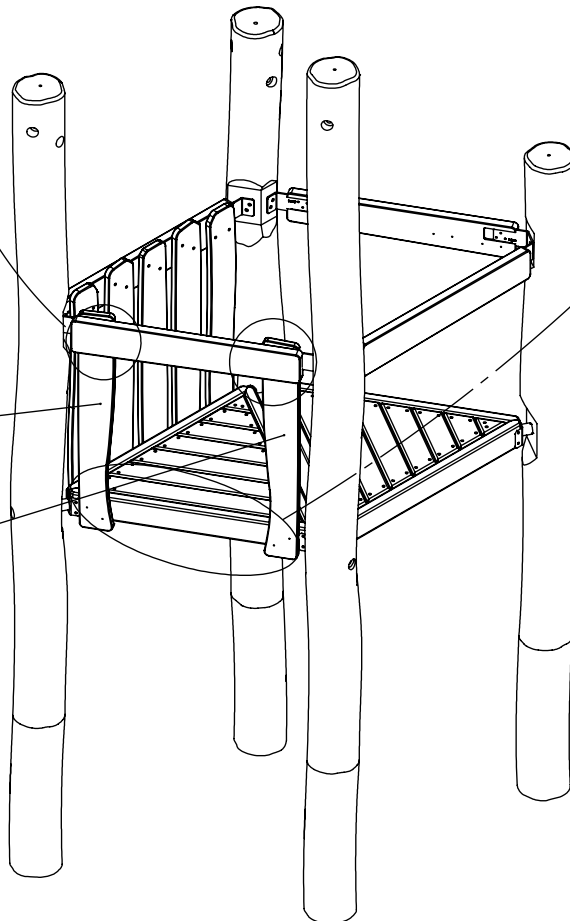
4x 5x50sxs



4x 5x50sxs

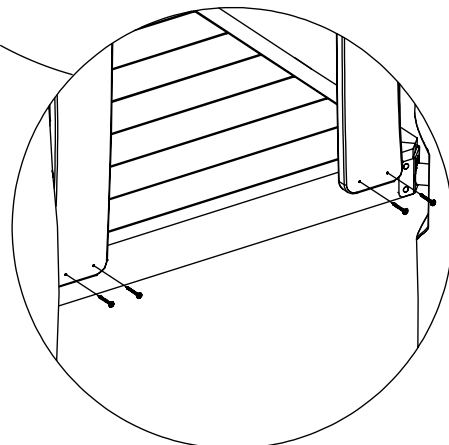
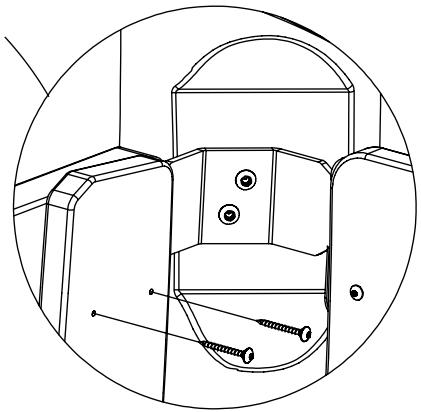
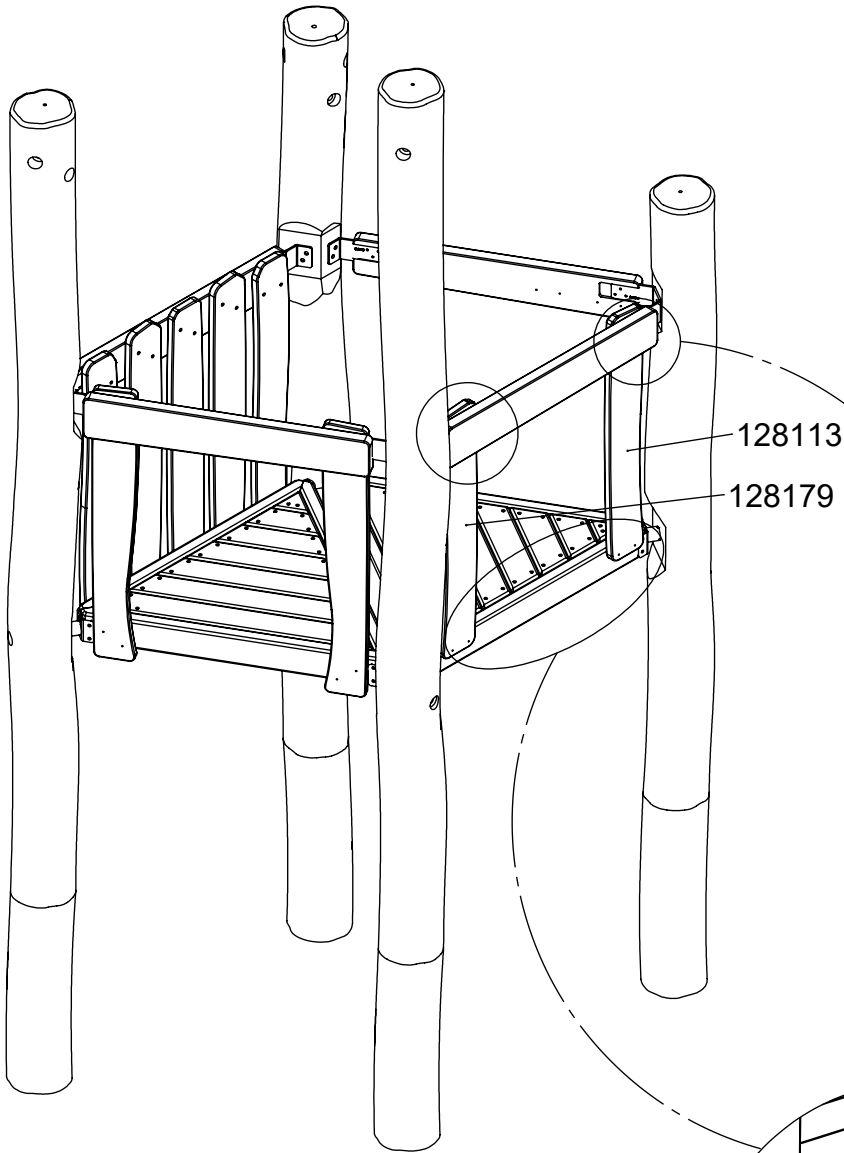
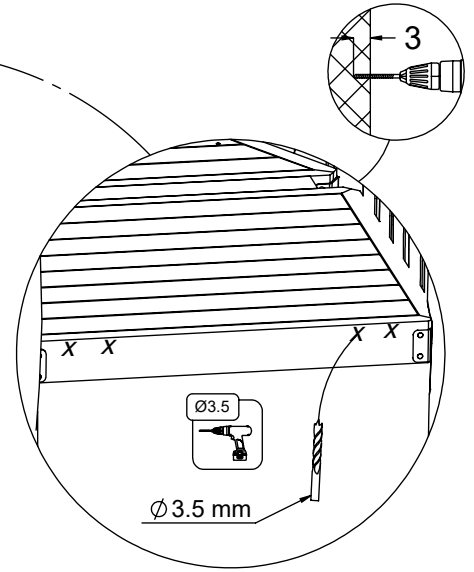
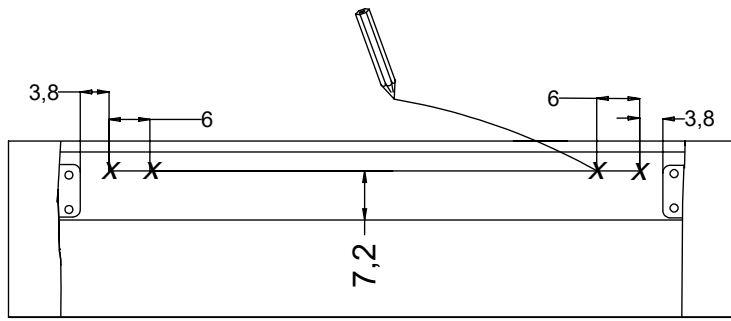
128178
128256 S6

128103
128255 S6



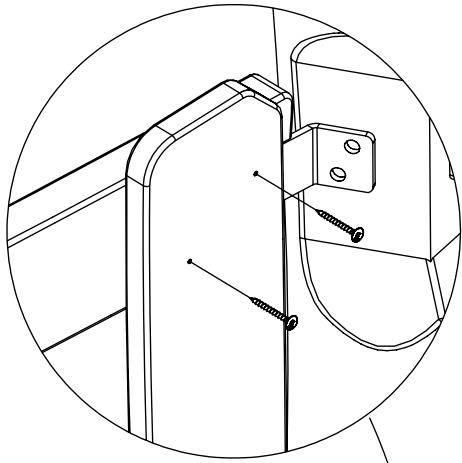
[cm]

vinci
play

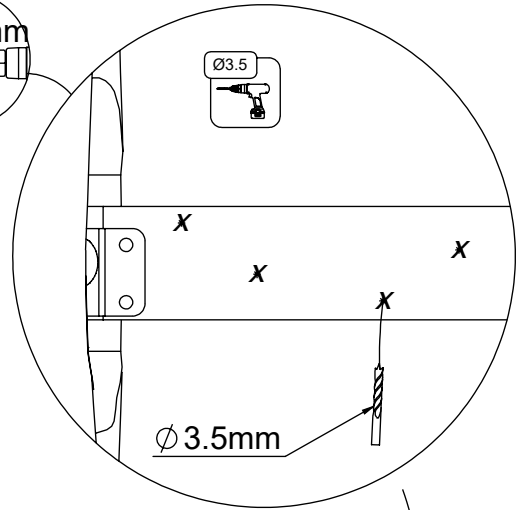
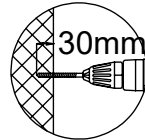


[cm]

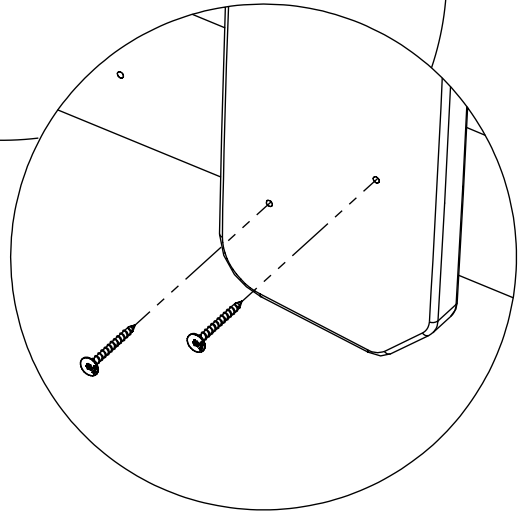
vinci
play



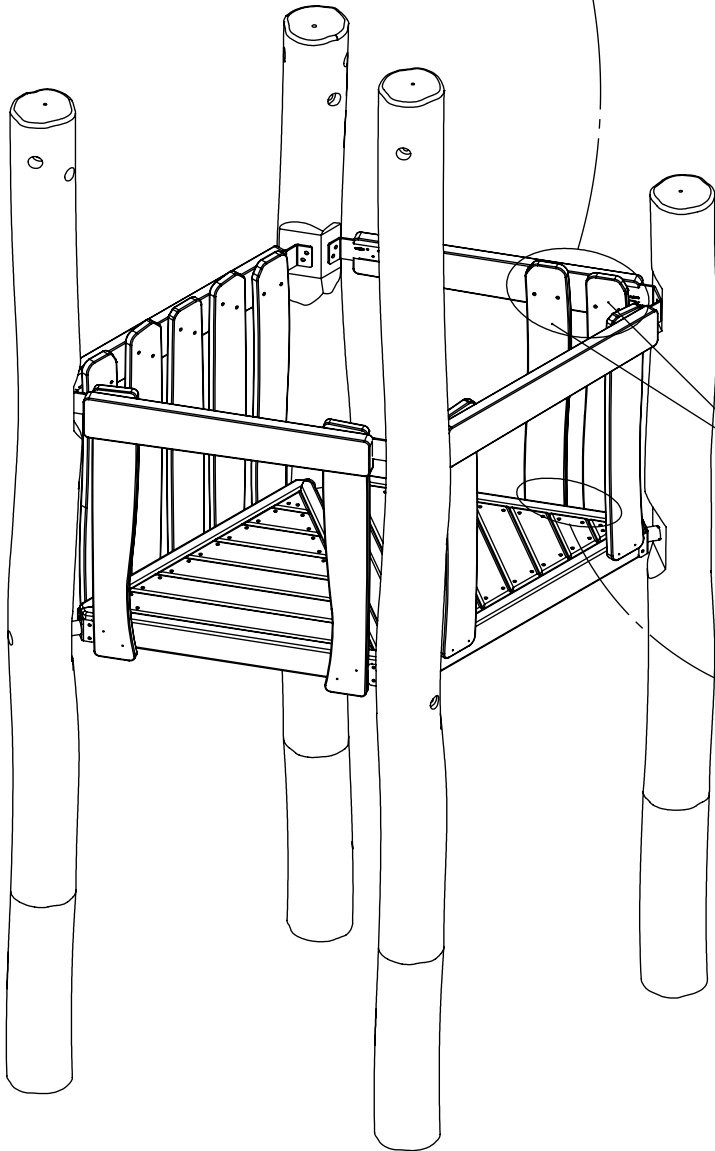
4x 5x50sxs

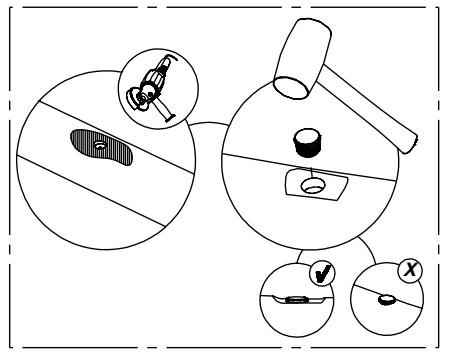
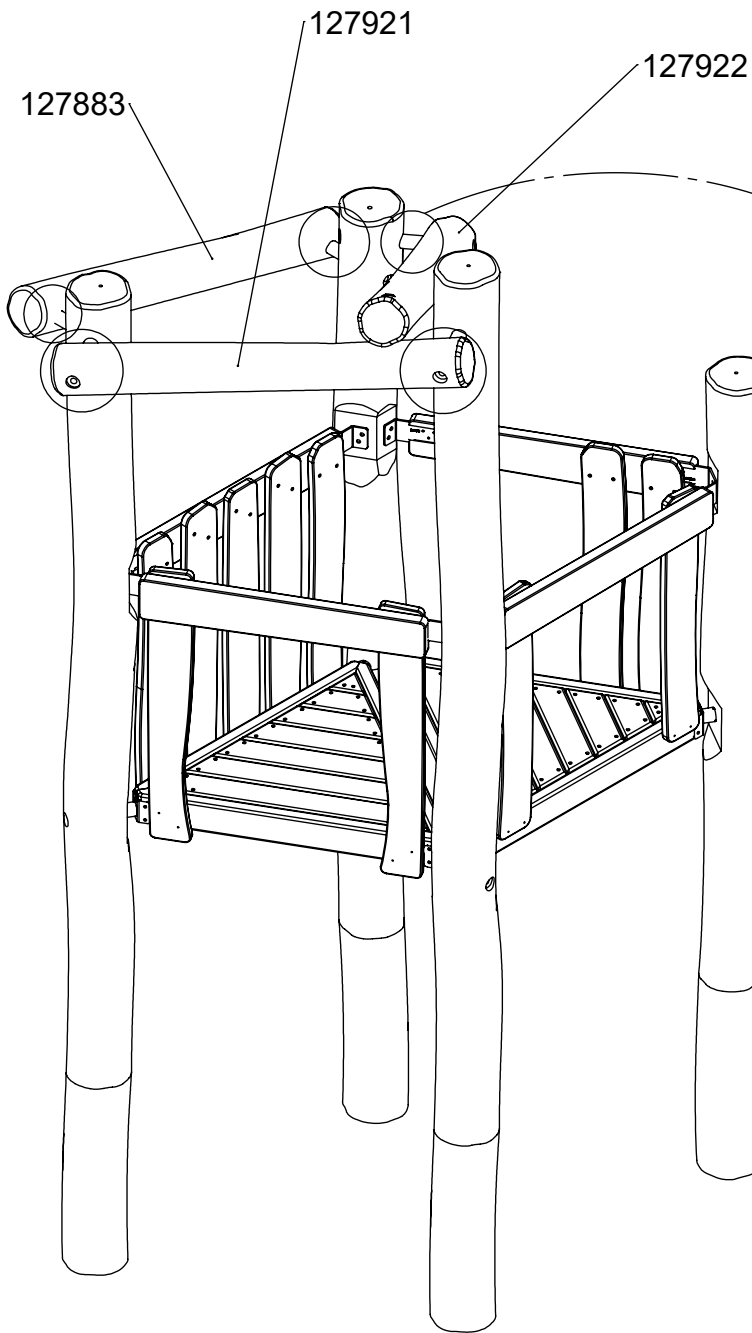


128181

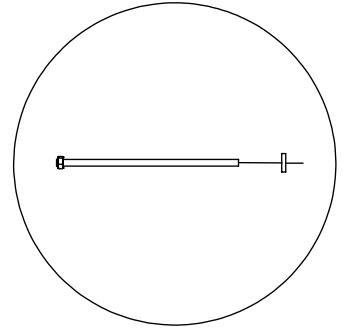


4x 5x50sxs

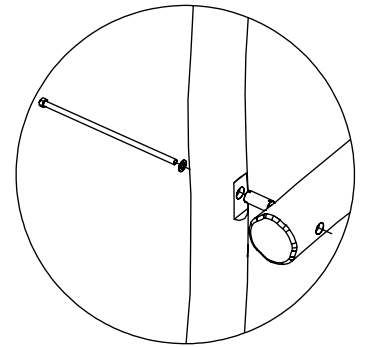




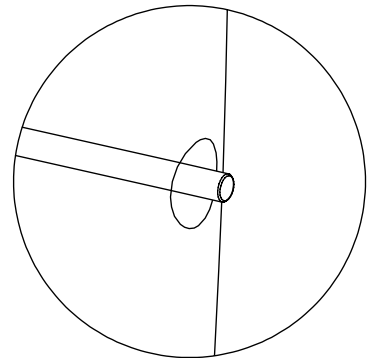
1.



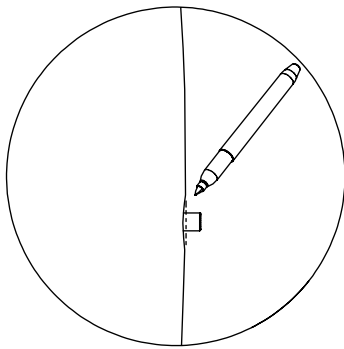
2.



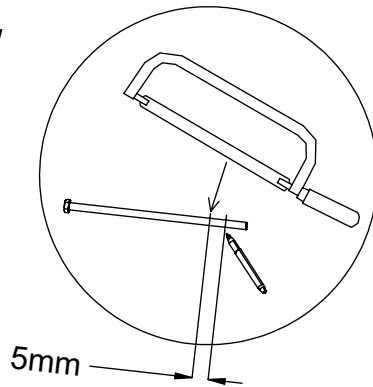
3.



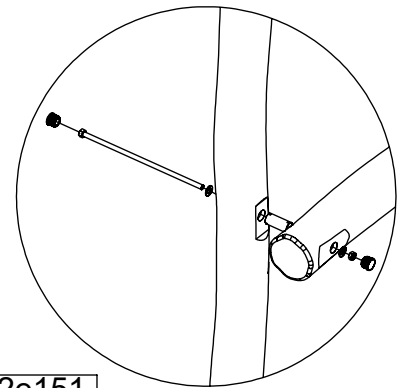
4.



5.

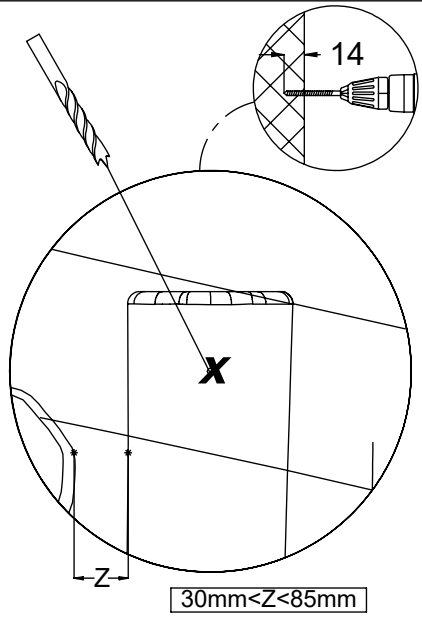


6.

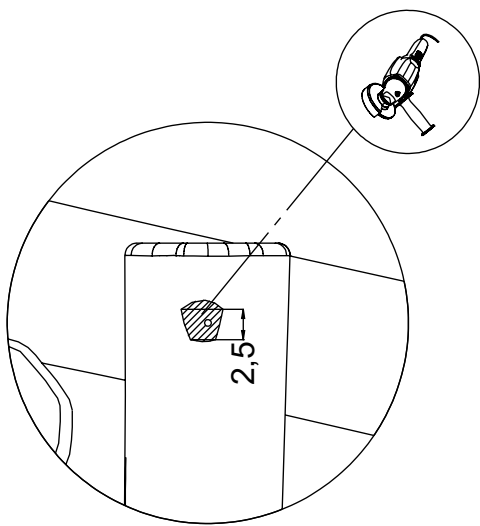


5x 12e151

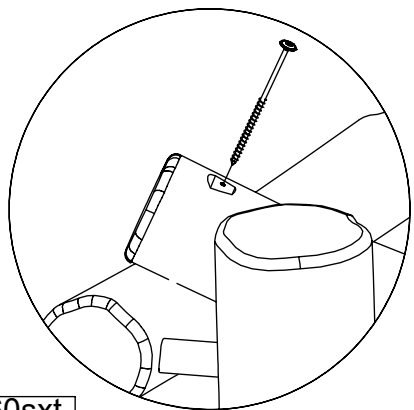
1.



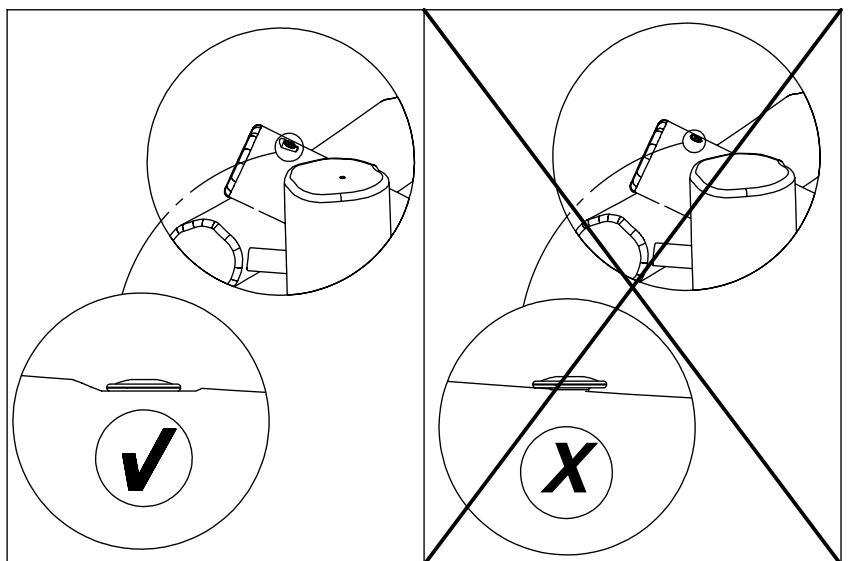
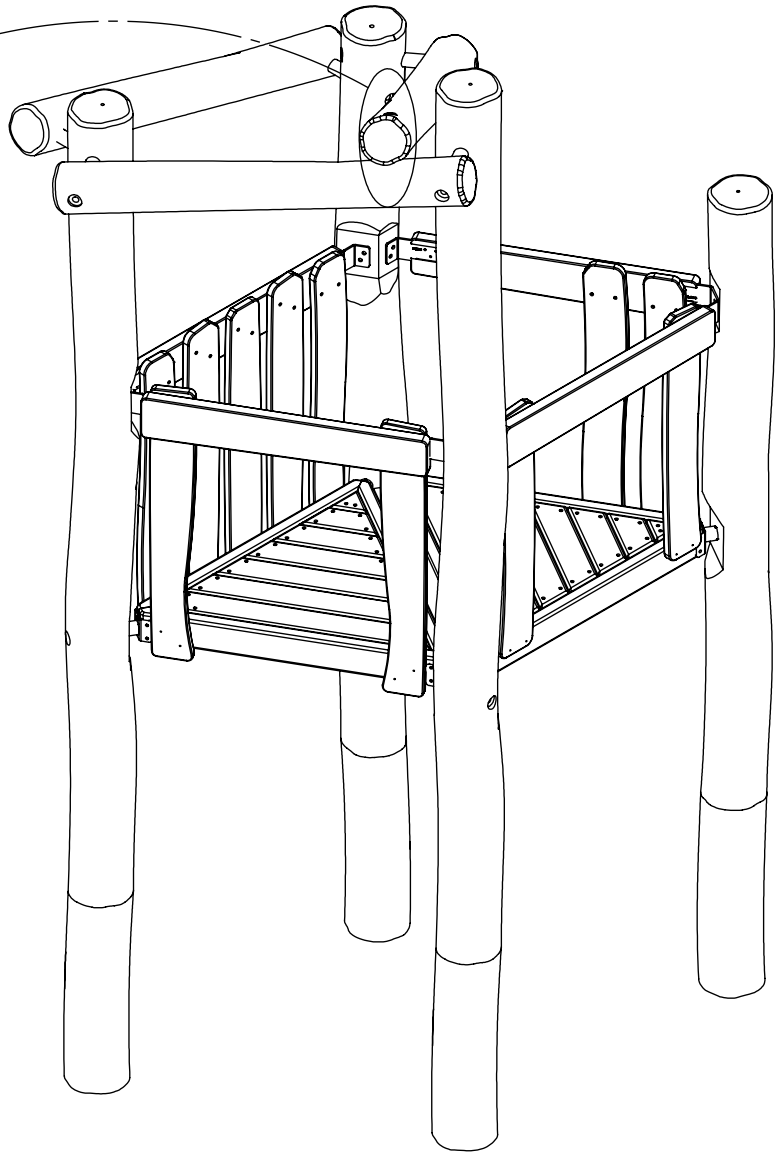
2.



3.



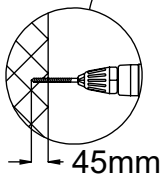
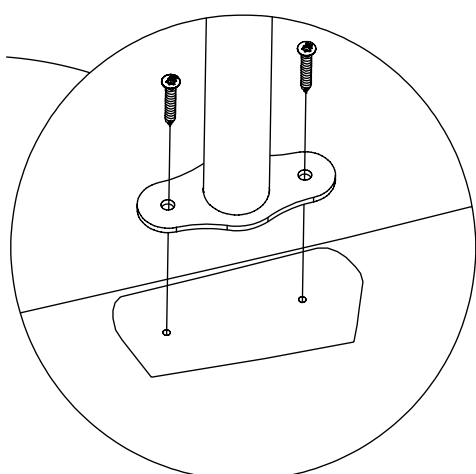
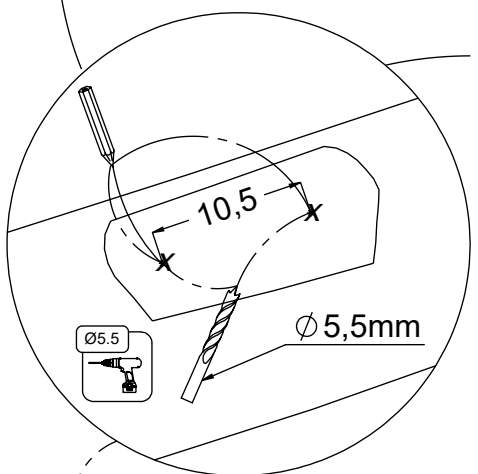
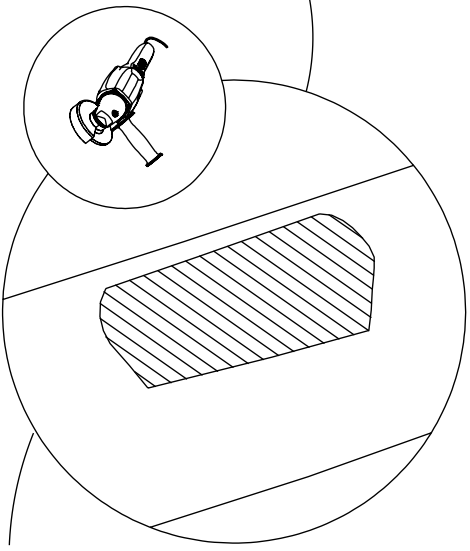
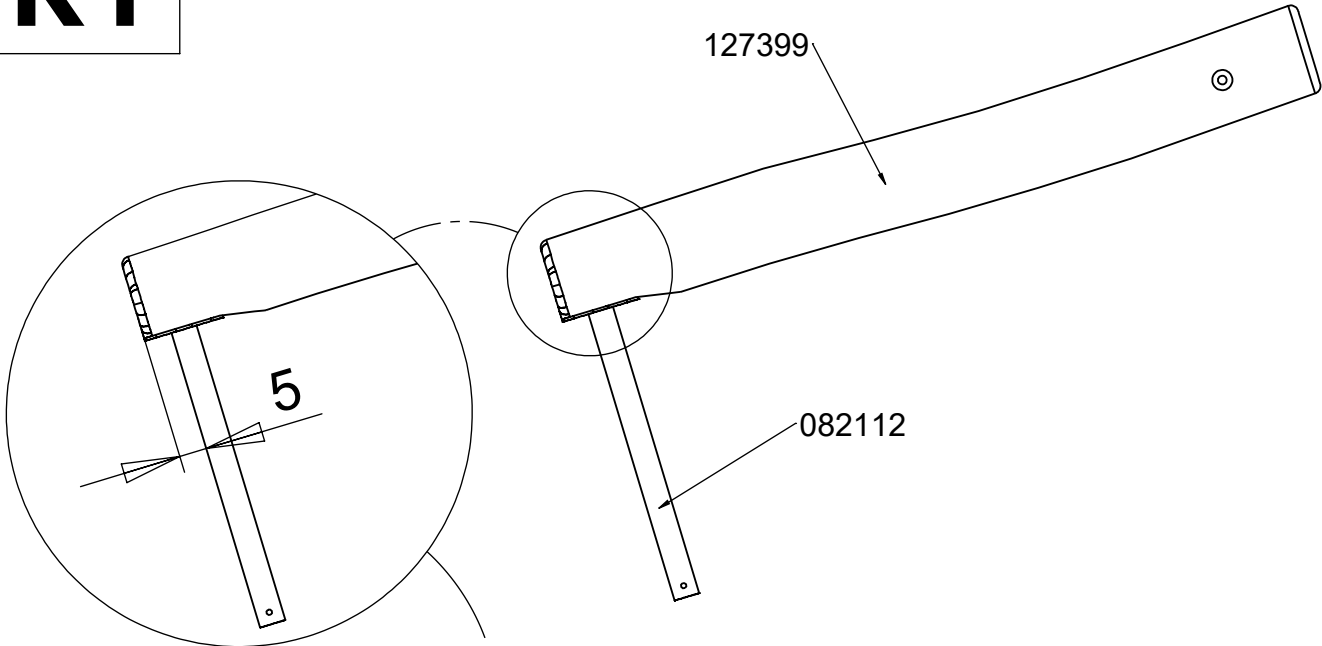
1x 8x160sxt



[cm]

vinci
play

K1

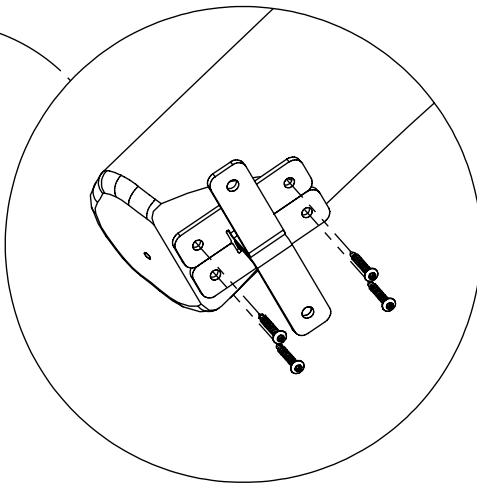
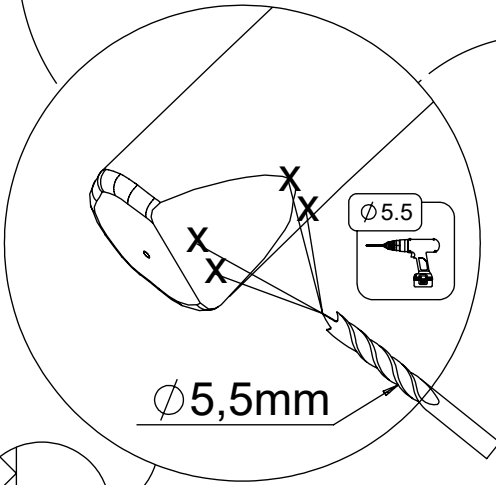
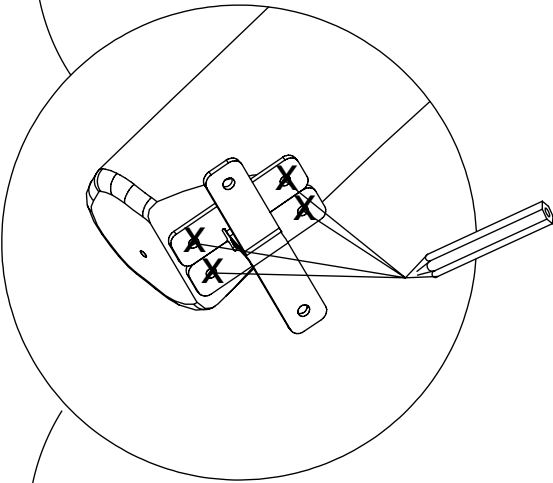
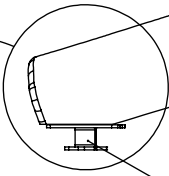
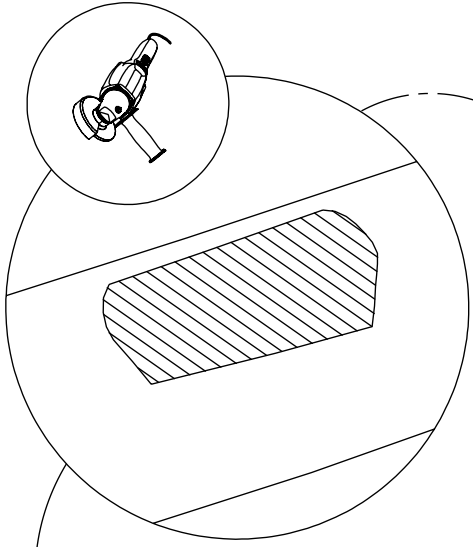


[cm]

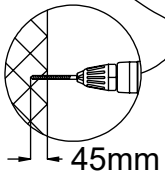
K3

127399

b292

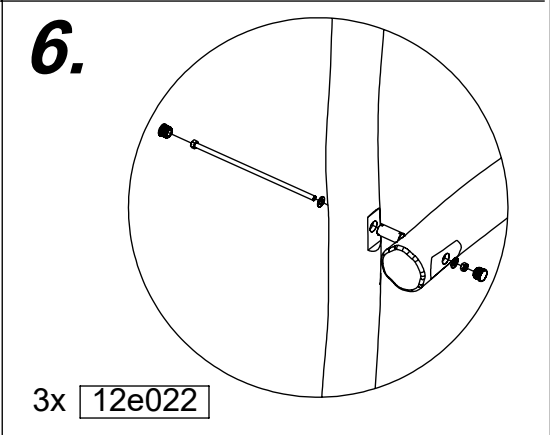
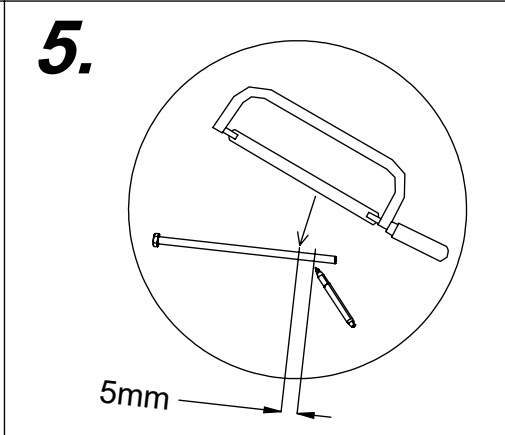
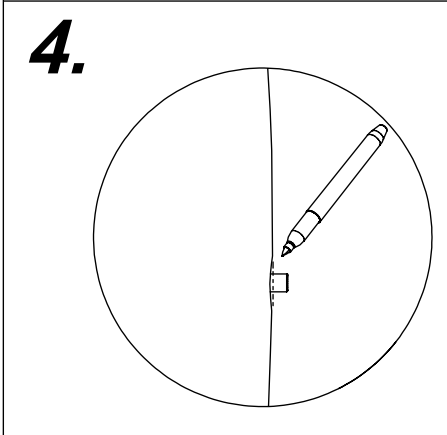
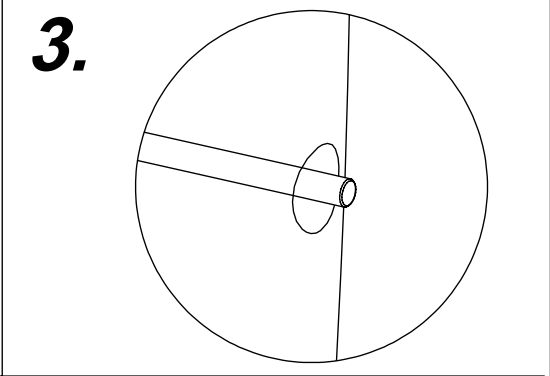
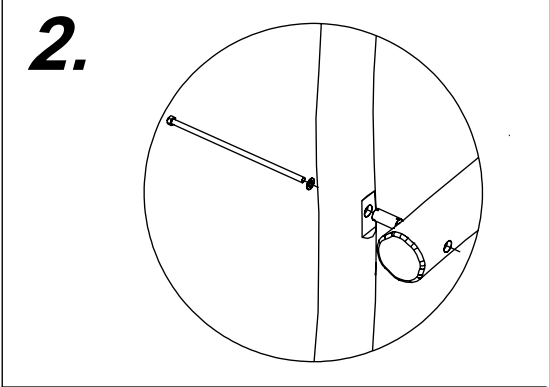
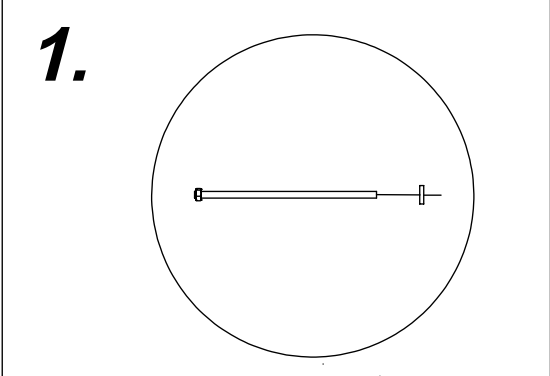
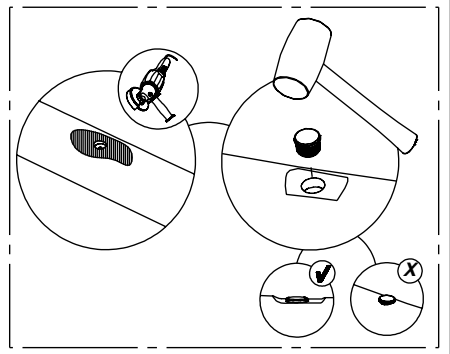
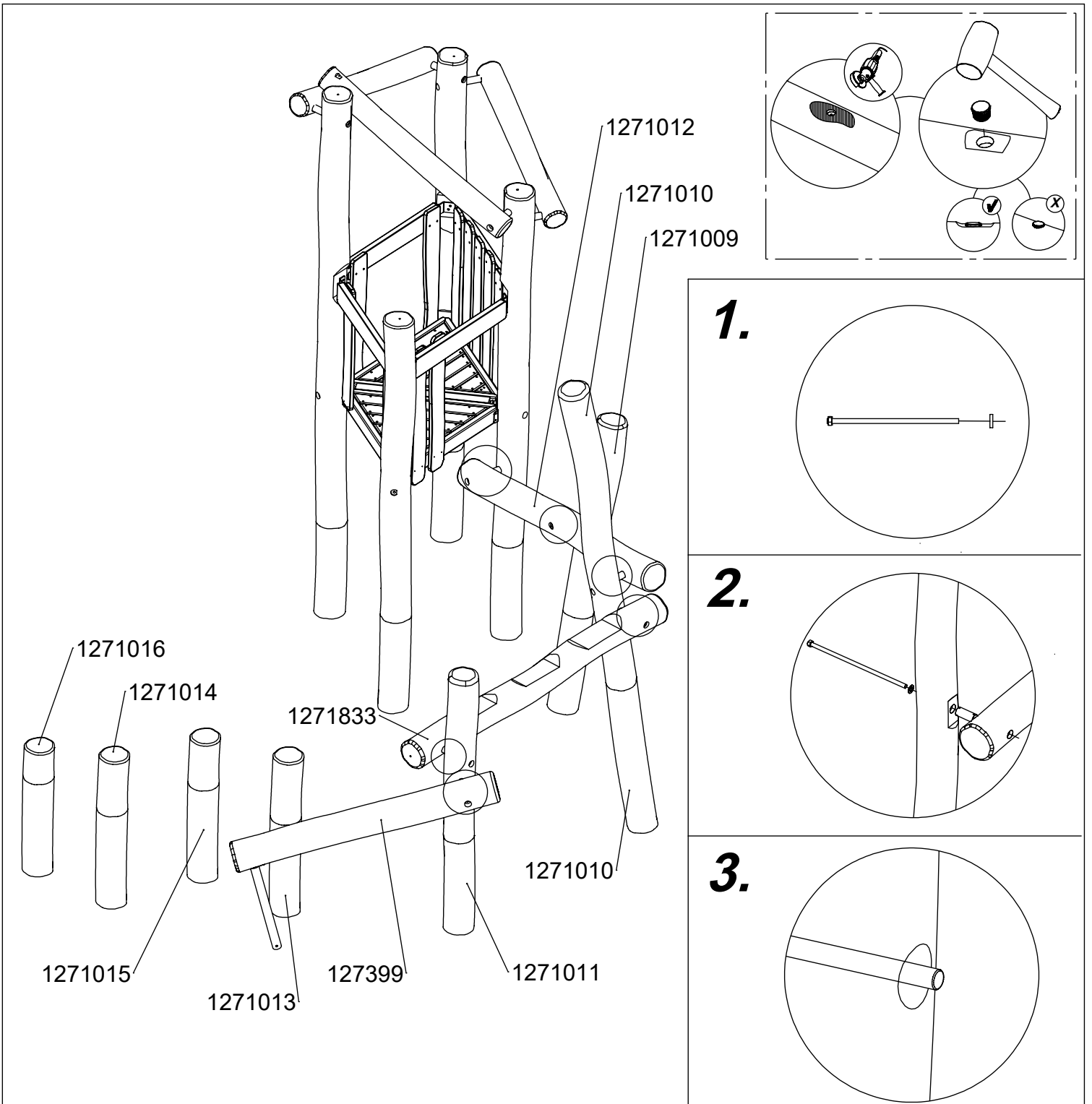


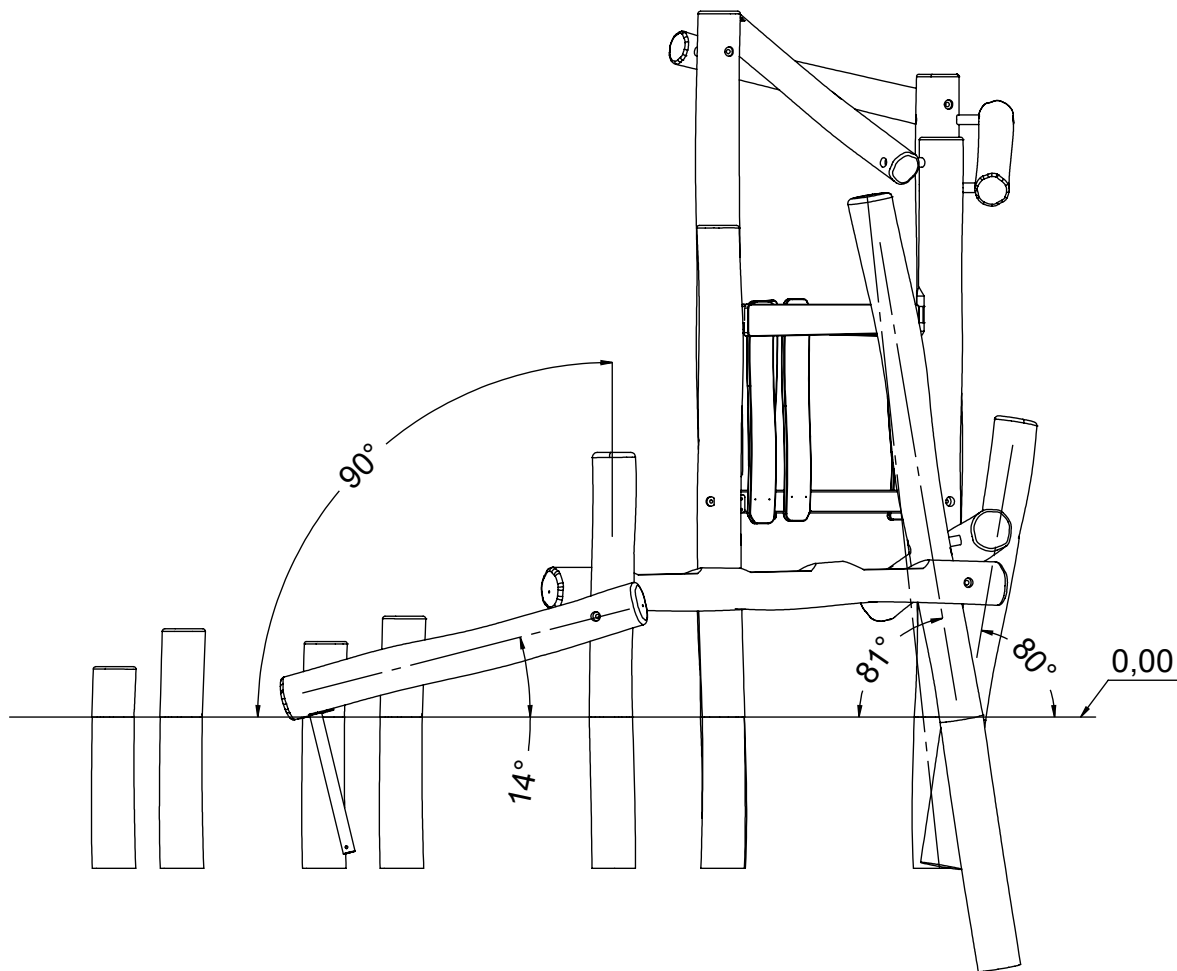
4x 8x50sxi



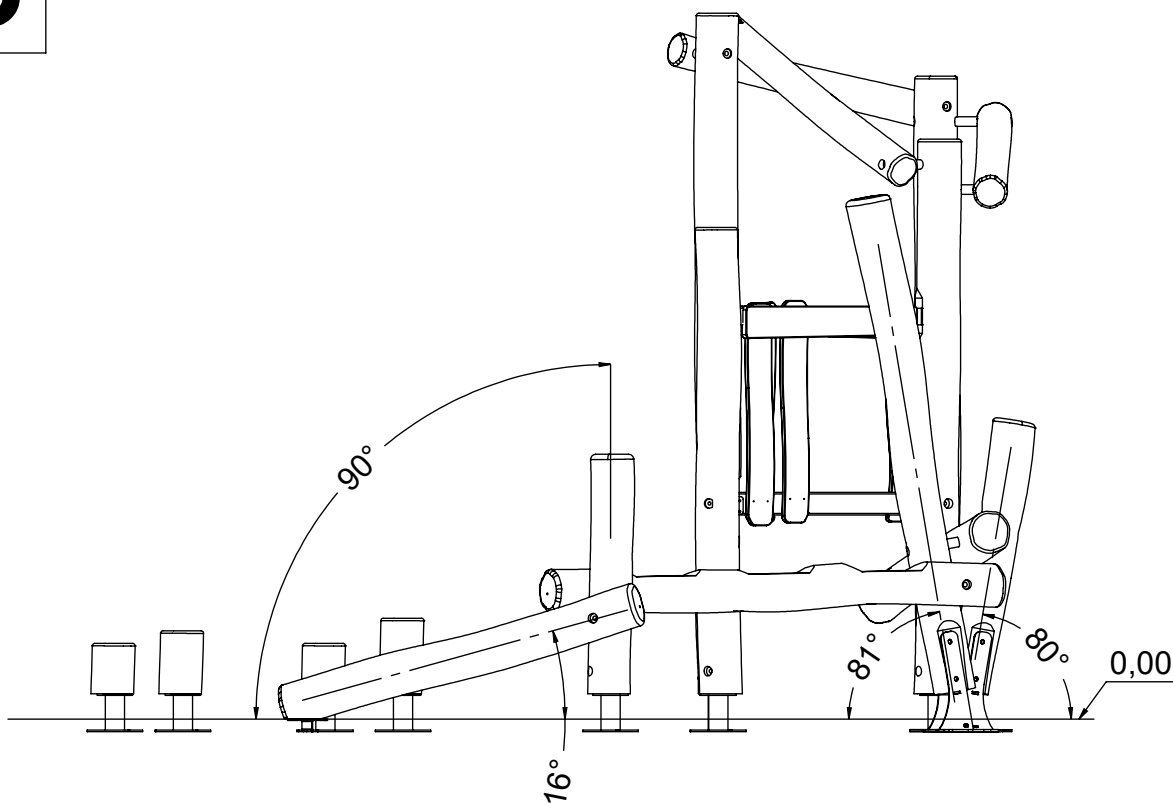
[cm]

vinci
play



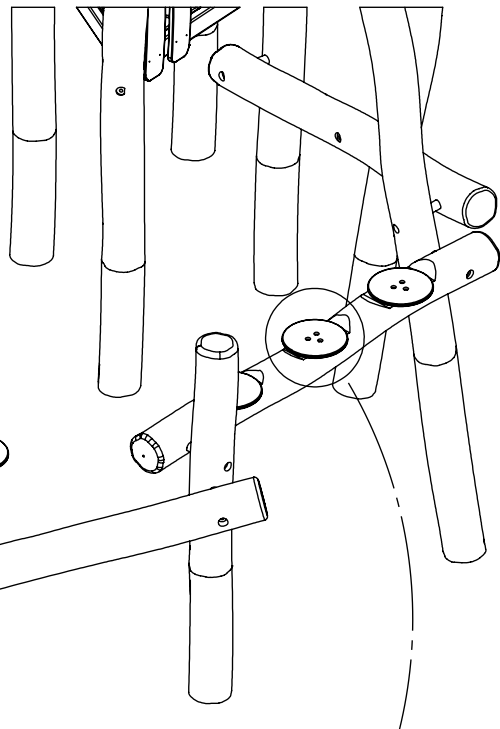


K3

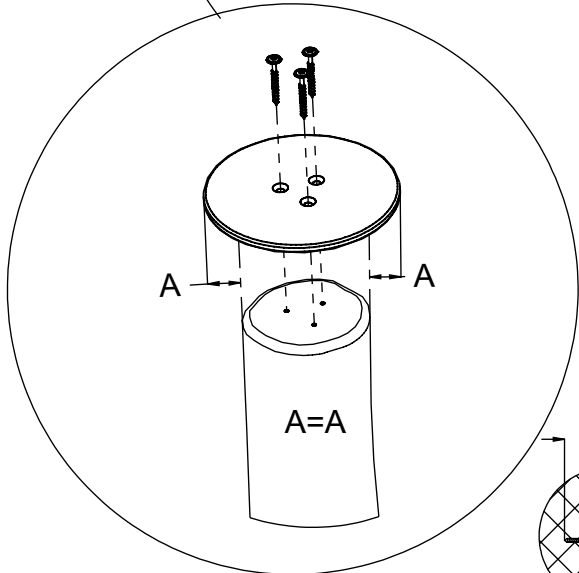
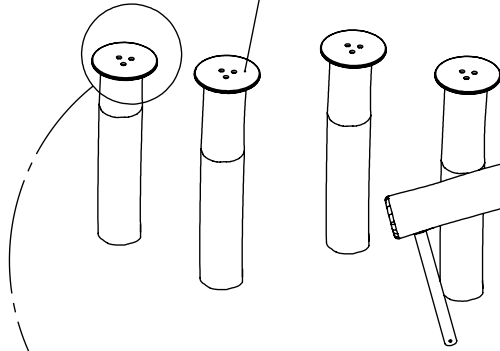


[cm]

vinci
play



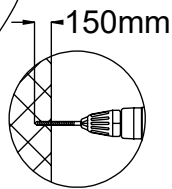
121103



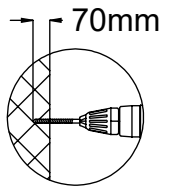
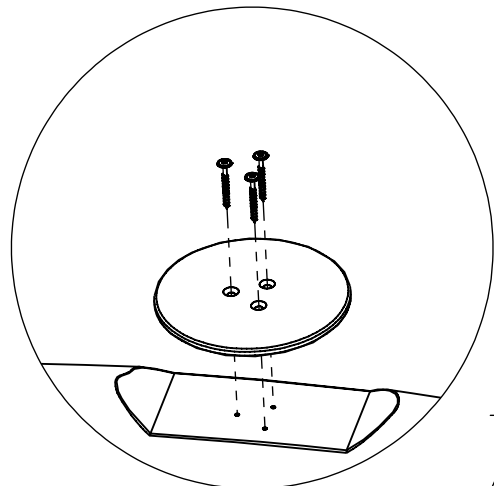
A A

A=A

12x 8x160sxt

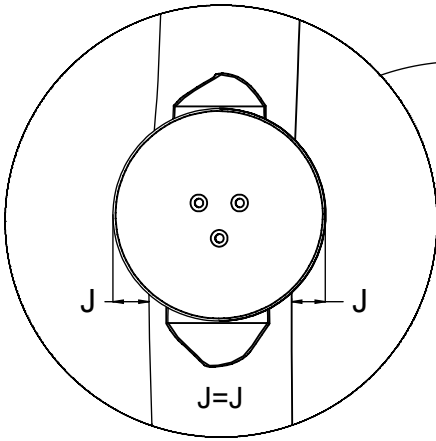


150mm



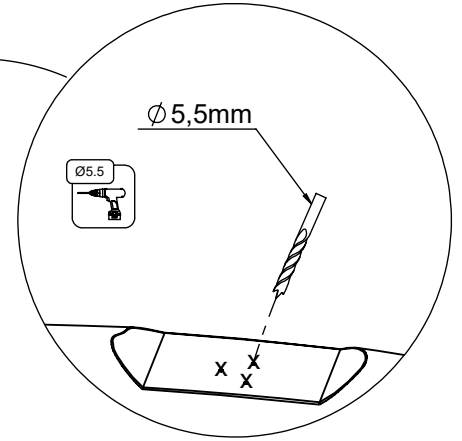
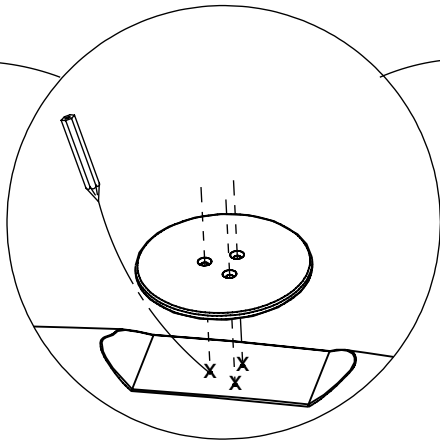
70mm

9x 8x80sxt



J J

J=J



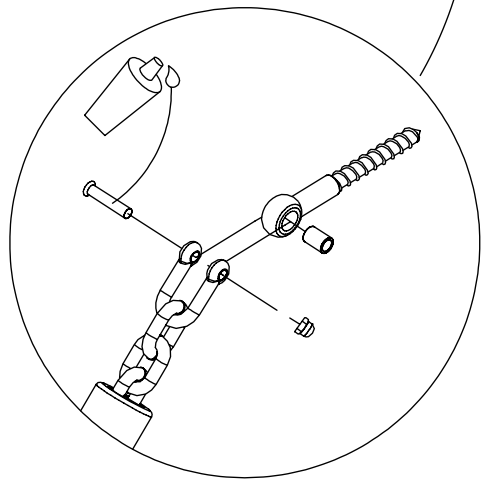
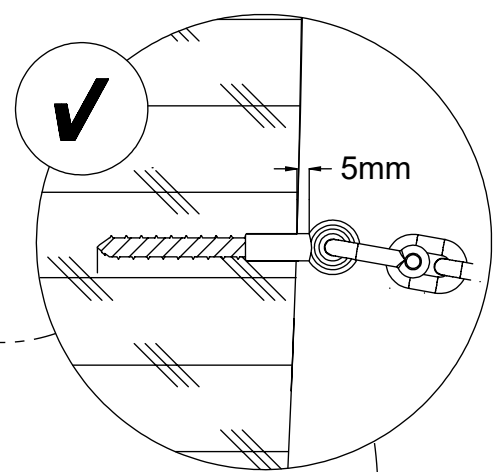
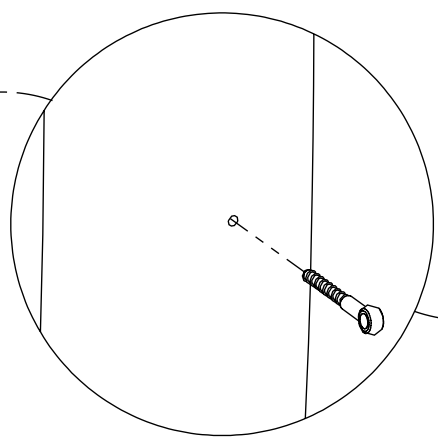
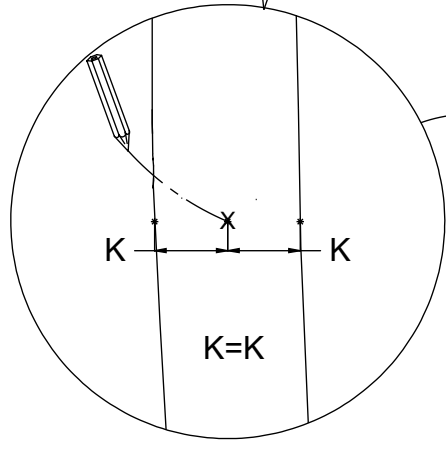
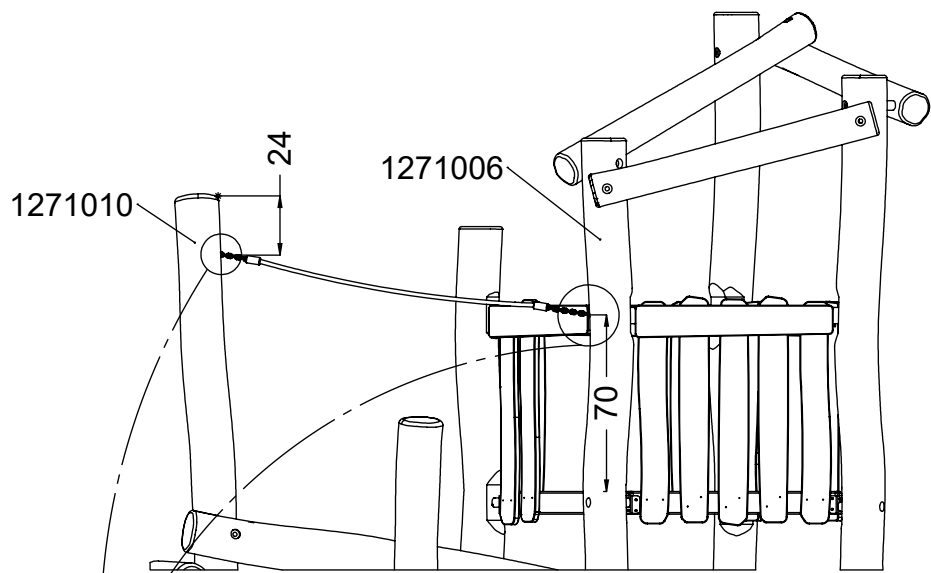
Ø 5,5mm



Ø5.5

[cm]

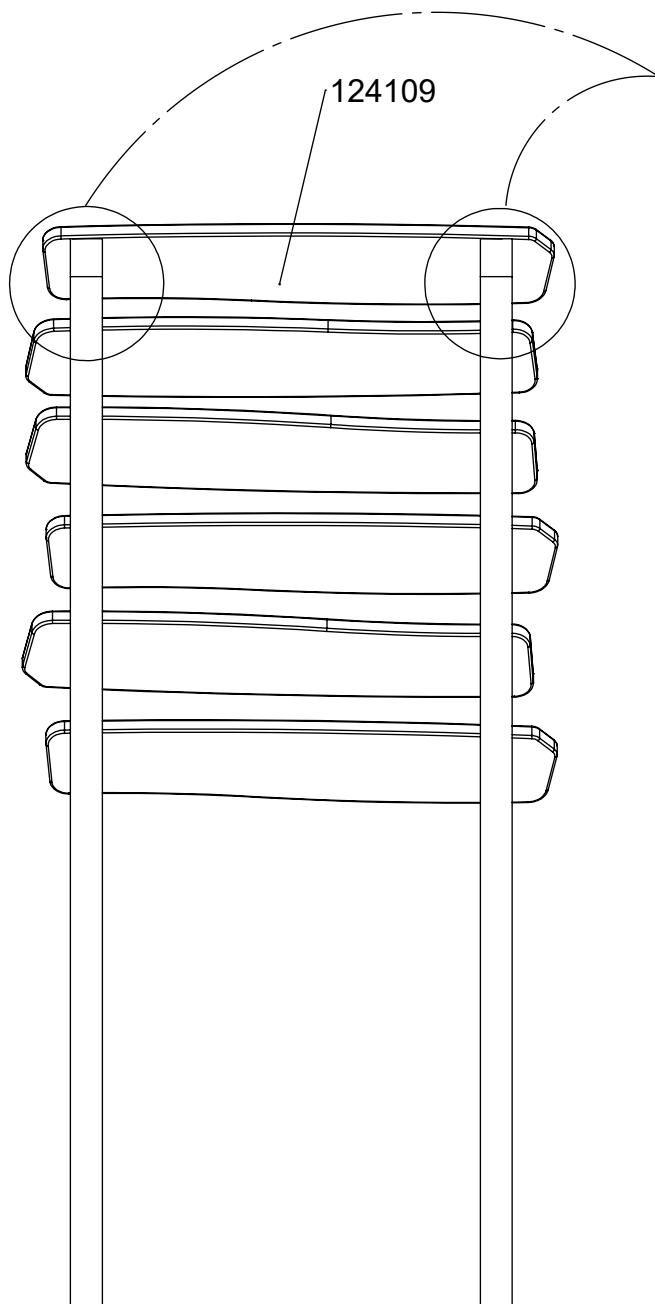
vinci play



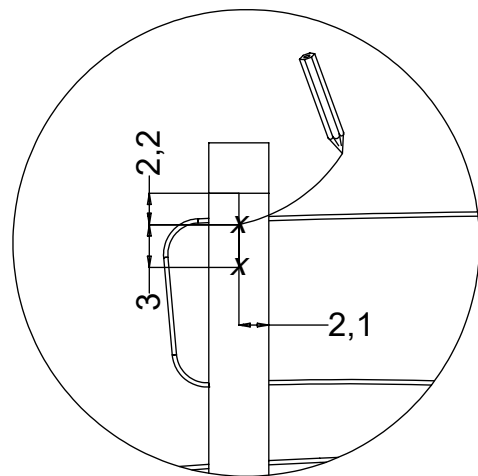
1x 12e007

[cm]

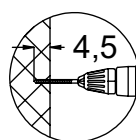
vinci
play



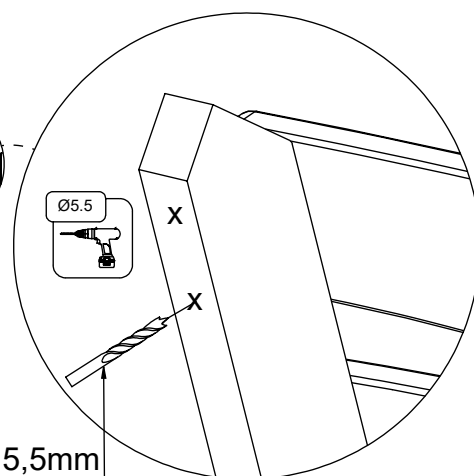
1.



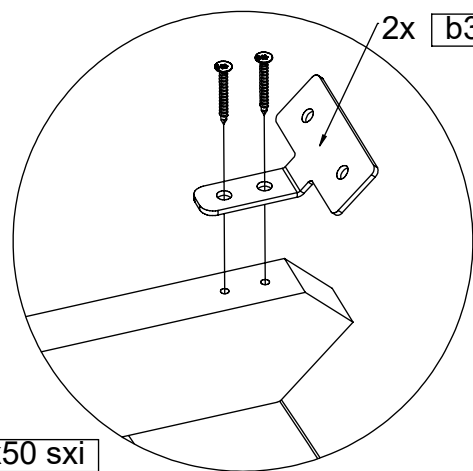
2.



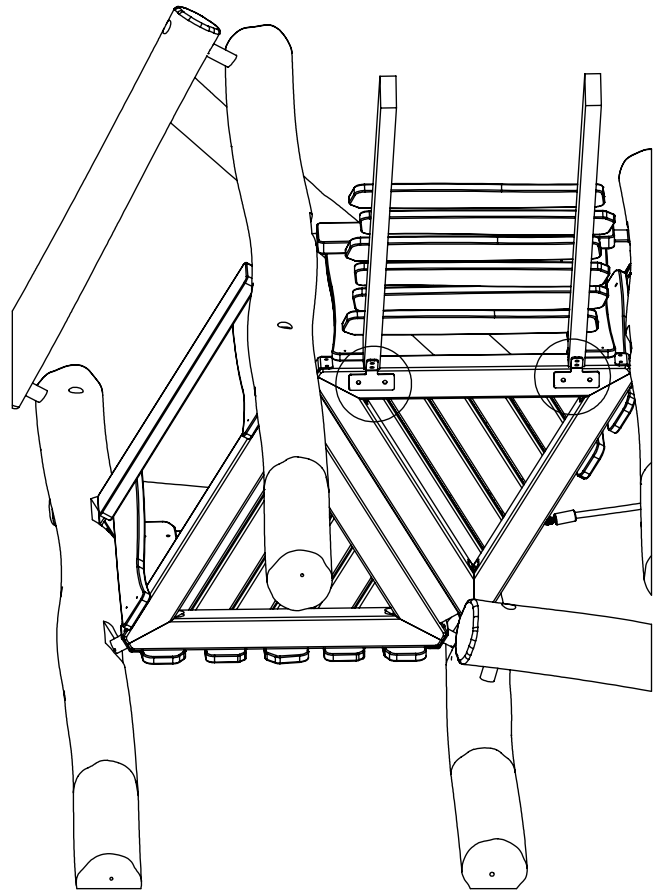
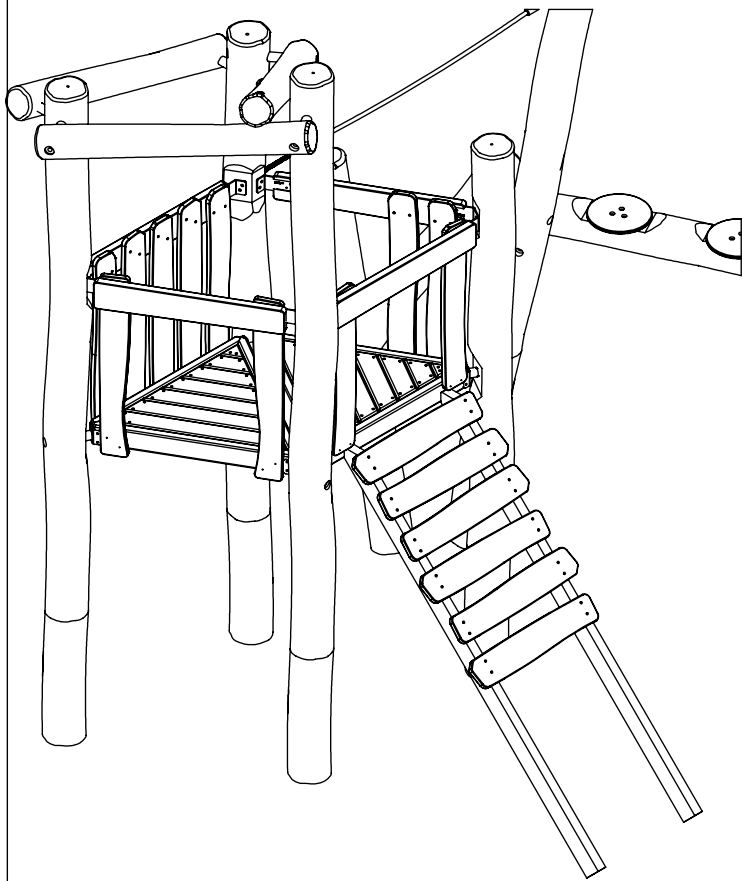
Ø 5,5mm



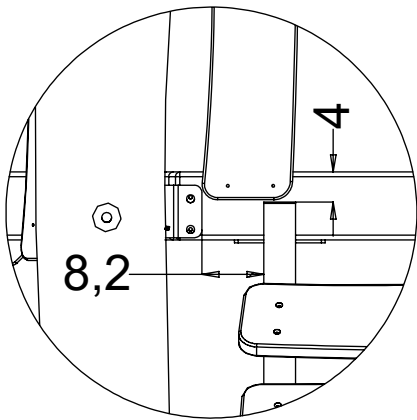
3.



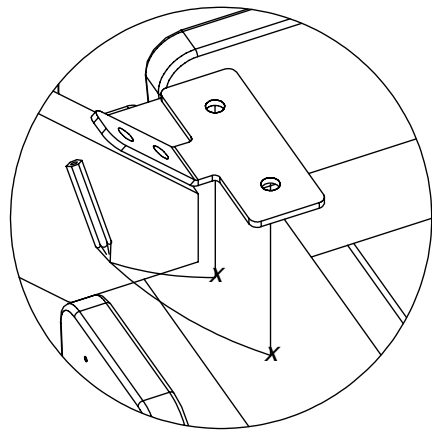
4x 8x50 sxi



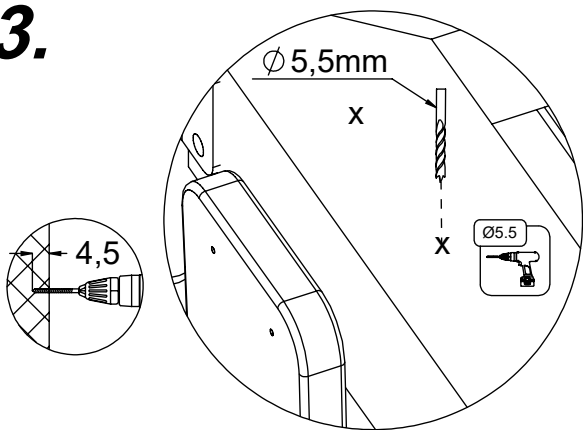
1.



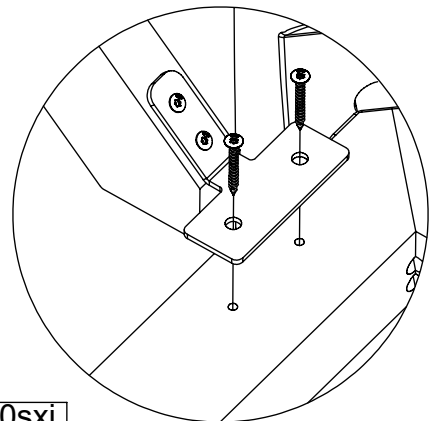
2.



3.

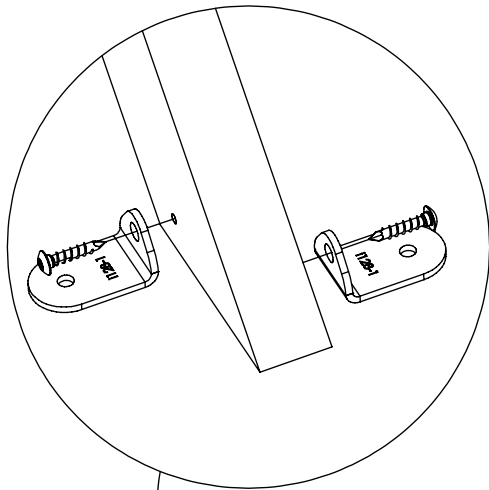
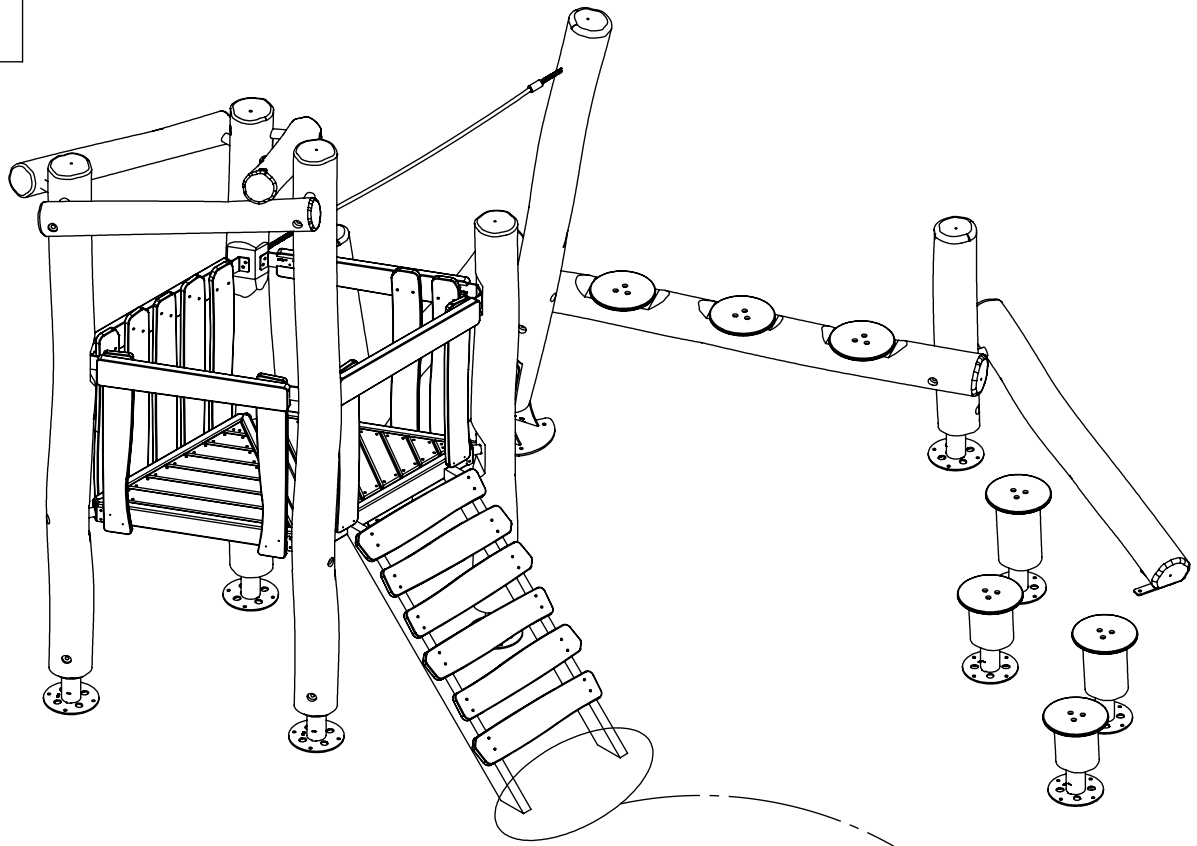


4.

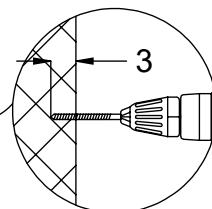
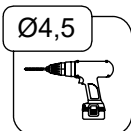
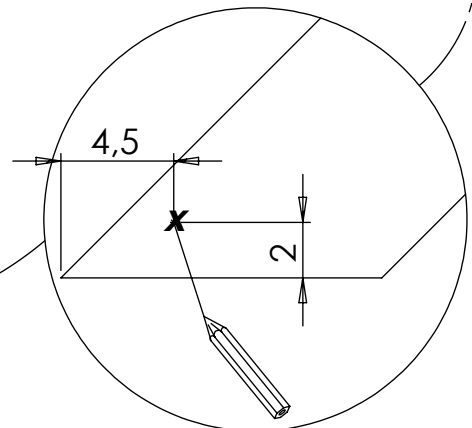
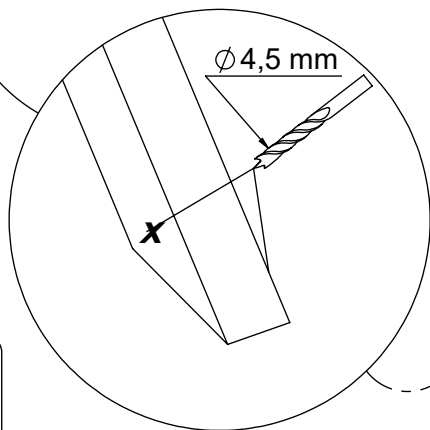
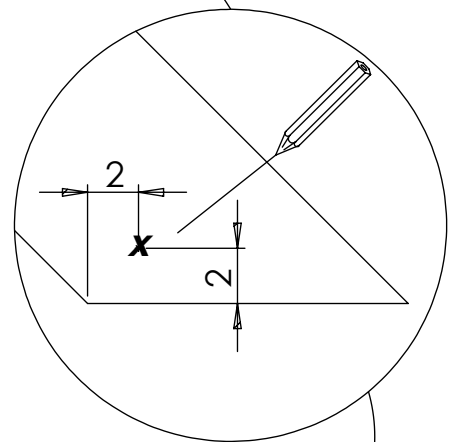


4x 8x50sxi

K3

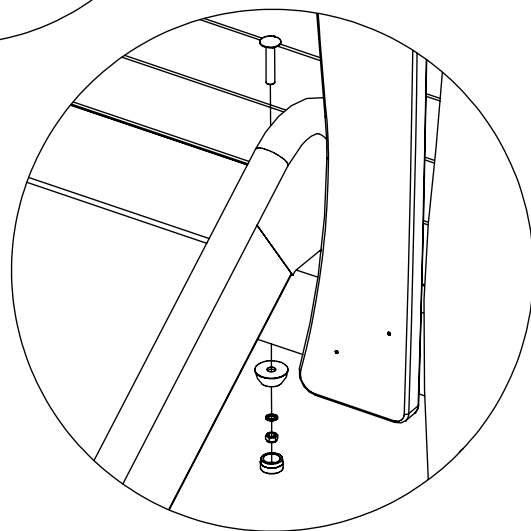
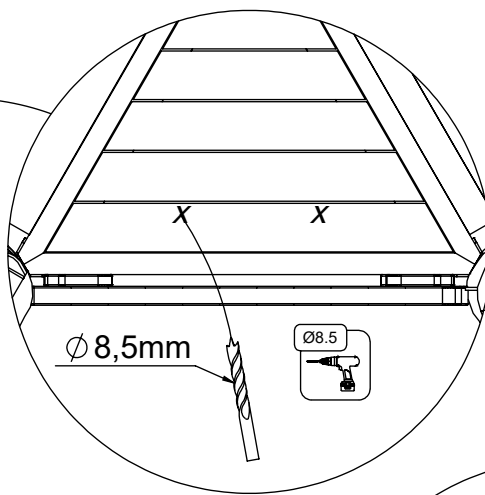
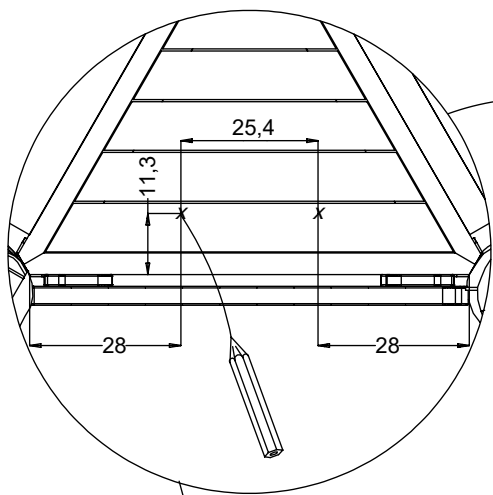


4x **7x35sxi**
4x **i128**

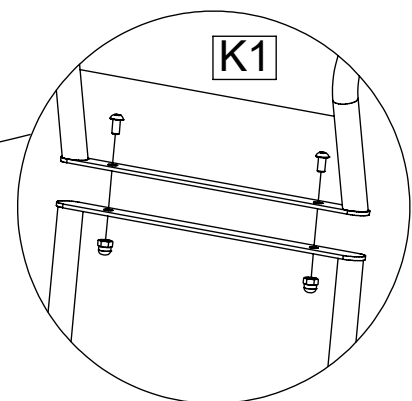
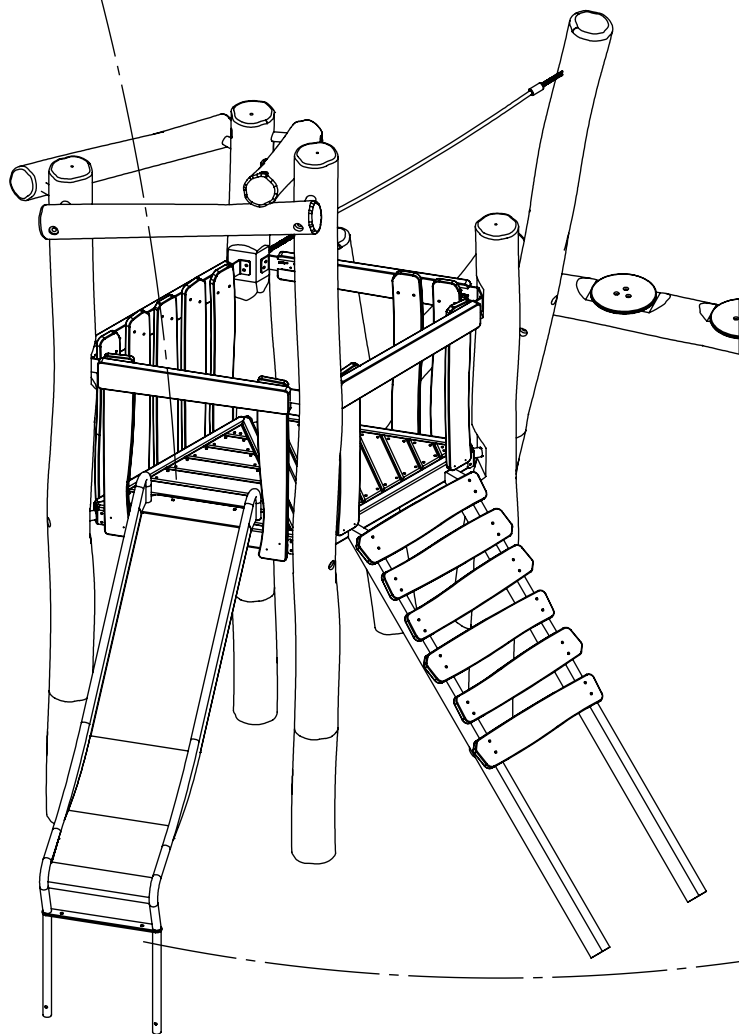


[cm]

vinci
play

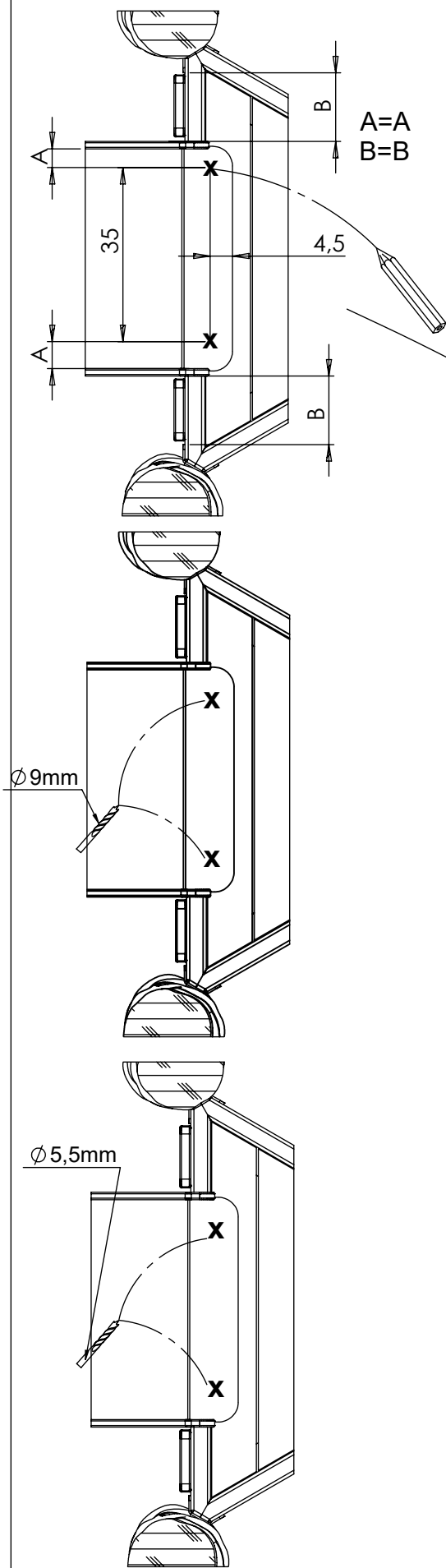


1x 12e019



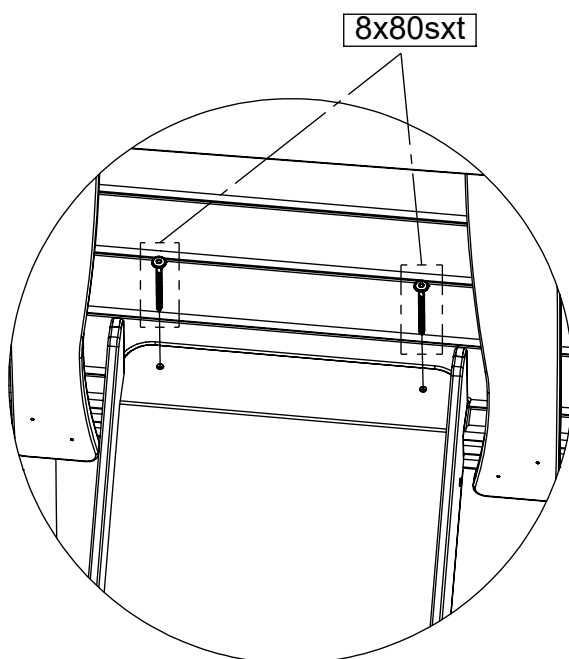
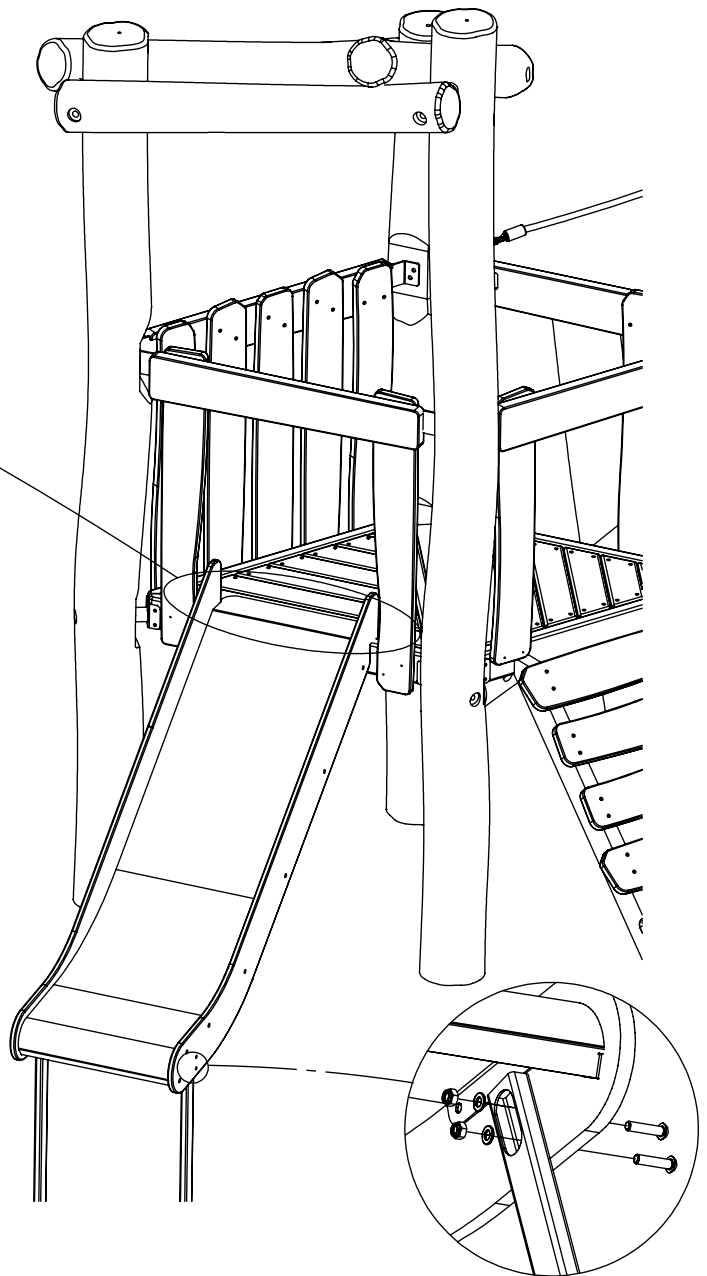
1x 12e030

S6



1x 12e108

[cm]

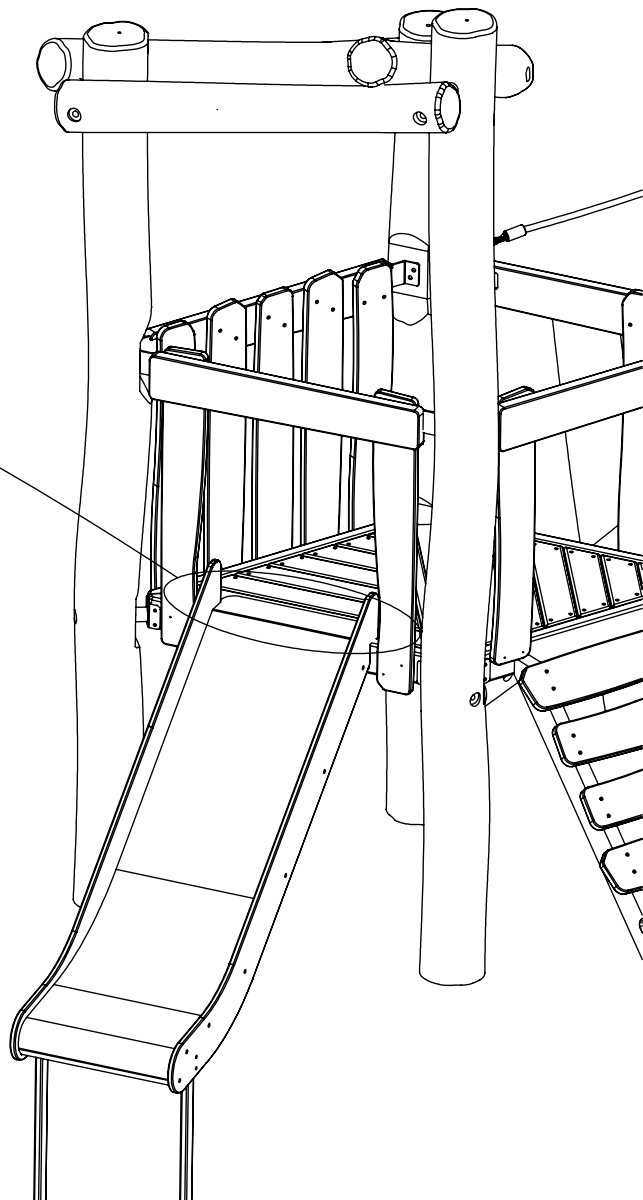
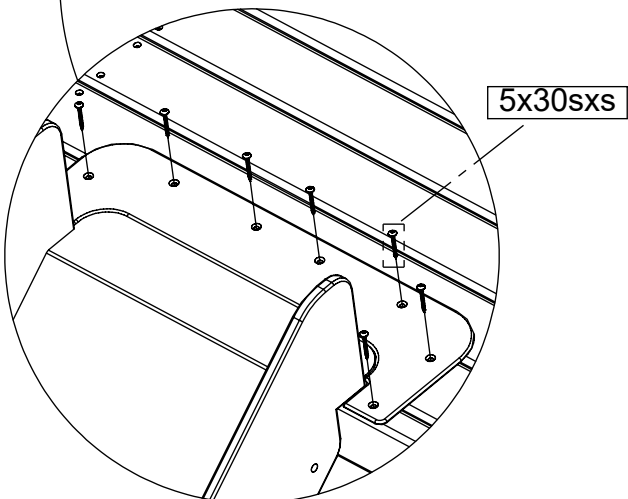
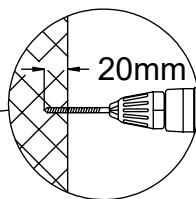
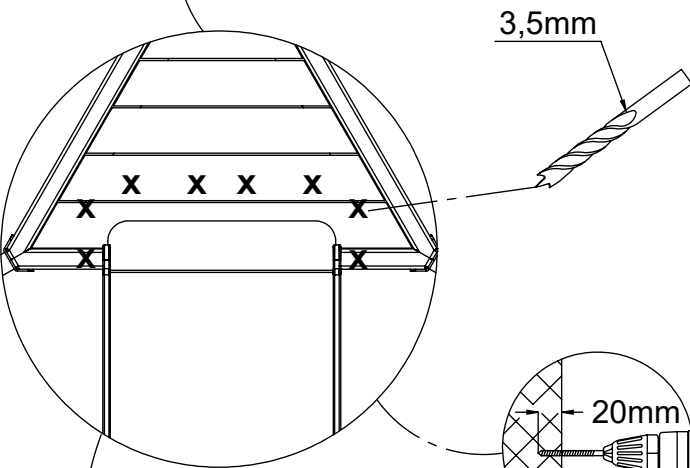
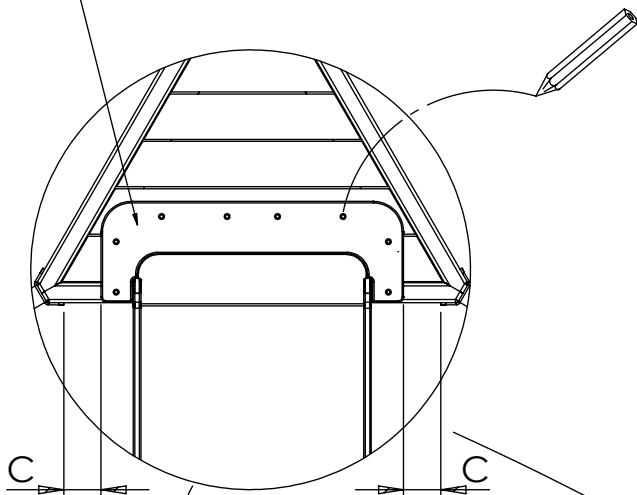


vinci
play

S6

121170

C=C

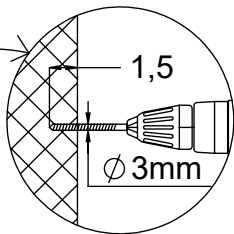
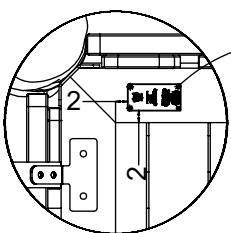
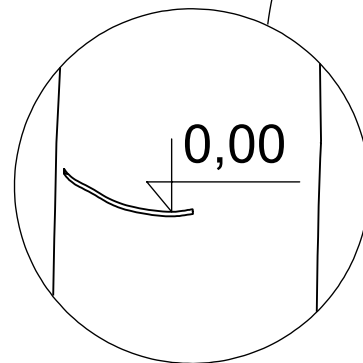
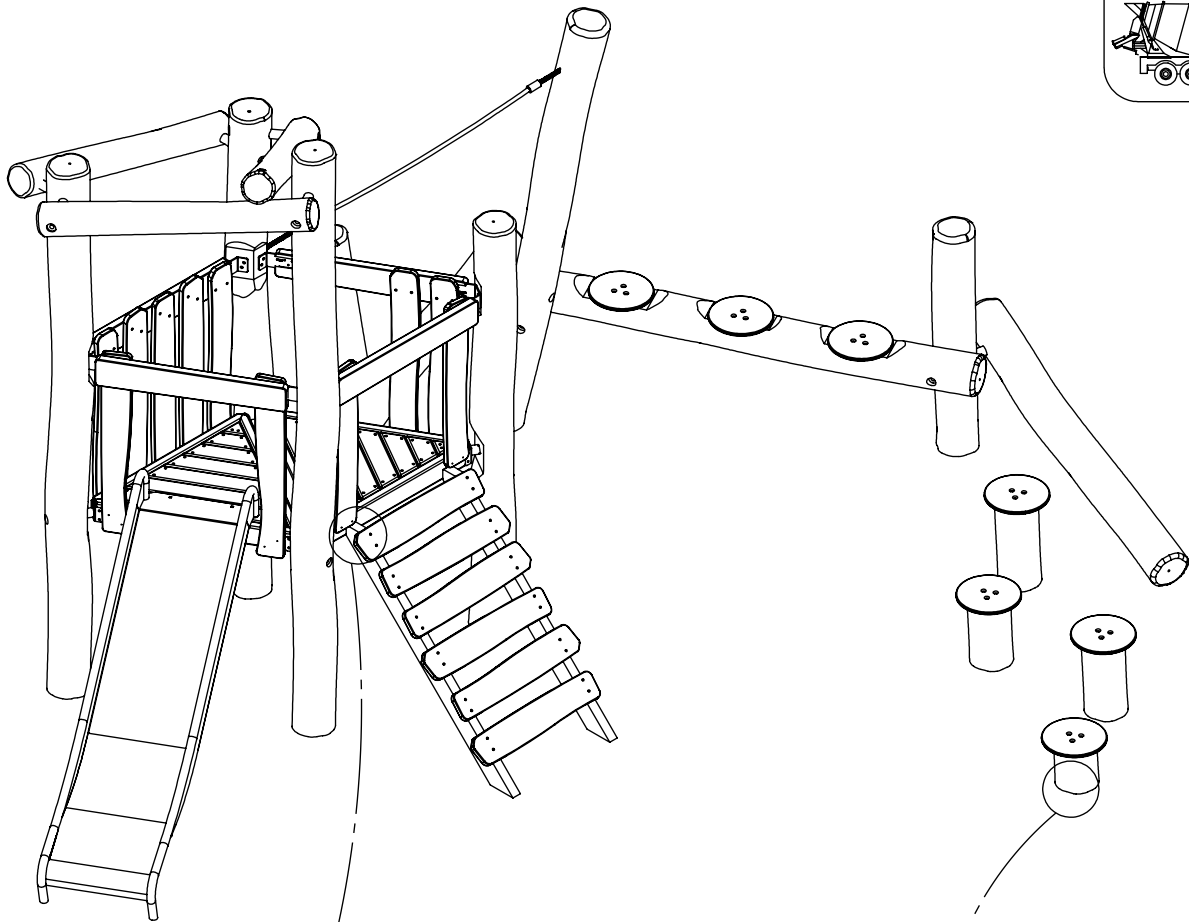


12e108

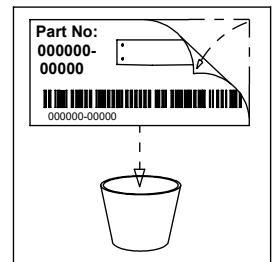
[cm]

vinci
play

48h



V001



[cm]

vinci play