

JUNGLE 3201



1 - 8 years



11 kids



25,6 m²



Material specification

- Powder galvanized and powder coated or stainless steel construction of 80 x 80 mm profile,
- Platforms and climbing walls made of durable anti-slip and waterproof HPL plate,
- Roofs and side panels made of durable HDPE plate, resistant to weather conditions,
- Moving elements made of durable HDPE plate, resistant to weather conditions,
- Maze windows made of polycarbonate, balls made of synthetic material,
- Music panels made of durable HDPE and HPL plate, resistant to weather conditions,
- Telescope made of stainless steel and durable HDPE plate, resistant to weather conditions,
- Rubber hammock with textile reinforcement,
- Calibrated stainless steel chains, preventing fingers entrapment,
- Stainless steel bars and handrails,
- Stainless steel screws and/or screws covered with plastic caps,
- Safe end caps on top of the structure made of rubber or polypropylene,



Facilitating disability



easy access



integration



Intellectual development



manipulation



music



sight



thinking



Physical development



rest



climbing





2
number of roofs



3
number of interactive elements



1
number of activity elements

Product technical sheet

JUNGLE 3201

Product data

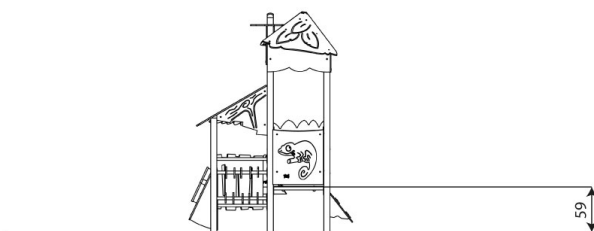
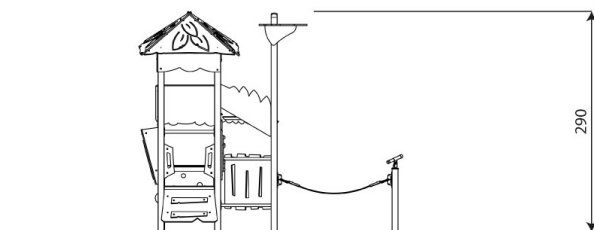
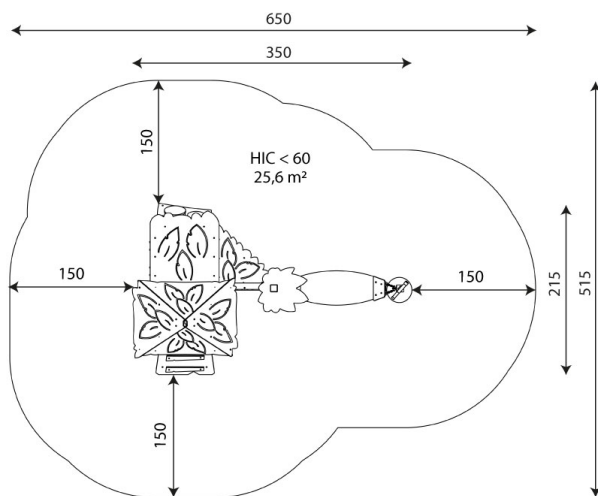
Length	350 cm
Width	215 cm
Total height	290 cm
Age group	1 - 8 years
Number of users	11 kids
Safety zone	25,6 m ²
Free fall height	<60 cm
The height of the platforms	59 cm
In accordance with norm EN	1176-1:2017+A1:2023
Weight of the heaviest part	17 kg
Dimensions of the largest part	8x8x340 cm
Availability of spare parts	YES
Installation time	4 h

Color options

Data is subject to change without prior notice.

Additional information

- equipment adapted for the disabled; intended for public playgrounds;
- equipment has a certificate issued by an accredited entity or a declaration of conformity;
- no sharp edges or chinks that would pose a danger of jamming the head, fingers or any other body parts;
- anchoring on flat surface, 80/70/60 cm deep;
- render is for reference only, the actual appearance of the equipment and its color may vary;



Guarantee

30

30 year guarantee - Durability of steel and stainless steel structural elements

15

15 year guarantee - Durability of steel and stainless steel structures of mobile devices; durability of Robinia wood structural elements

10

10 year guarantee - Structural strength of HDPE, 100% recycled HDPE and HPL elements; structural elements made of 100% recycled material (composite)

5

5 year guarantee - Corrosion resistance of stainless steel and hot-dip galvanized and powder-coated steel elements, resistance to bark beetles and rotting of wooden structural elements

Detailed information in the guarantee card



Surfaces according to EN 1176-1:2017+A1:2023

	Description (mm)	Layer thickness (cm)	Maximum fall heights (cm)
Turf/ top layer of soil (A,B,C)	-	-	≤100
bark (A,C)	Particle size from 20 to 80	30	≤200
		40	≤300
woodchips (A,C)	Particle size from 5 to 30	30	≤200
		40	≤300
sand or gravel (A,C)	Particle size from 0,25 to 8	30	≤200
		40	≤300
synthetic attested (A,B,C)	Tested according to EN 1177		<60

Product technical sheet

JUNGLE 3201

Amount of safe surface corresponding with free fall height:

HIC <60 25,6 m²

Data is subject to change without prior notice.

