

**Product technical sheet**

**MAXX 2600**



4 - 14 years



18 kids



47,1 m<sup>2</sup>



**Material specification**

- Hot-dip galvanized and powder coated construction of 200 x 120 mm profile,
- Platforms made of durable anti-slip and waterproof HPL plate,
- Transparent polycarbonate panels with a weather-resistant print,
- Covers made of hot-dip galvanized and powder coated steel mesh,
- Side panels made of Robinia - very durable acacia wood without sharp edges, resistant to weather conditions
- Stainless steel tube slide,
- Elements made of safe, certified rubber with textile reinforcement,
- Steel ropes in polypropylene braid, connected with durable plastic elements, stainless steel or aluminum,
- Calibrated stainless steel chains, preventing fingers entrapment,
- Stainless steel screws and/or screws covered with plastic caps,



**Physical development**



sliding



observation



community



climbing





**1**  
number of towers



**1**  
number of slides



**5**  
number of activity elements

**Product technical sheet**

**MAXX 2600**

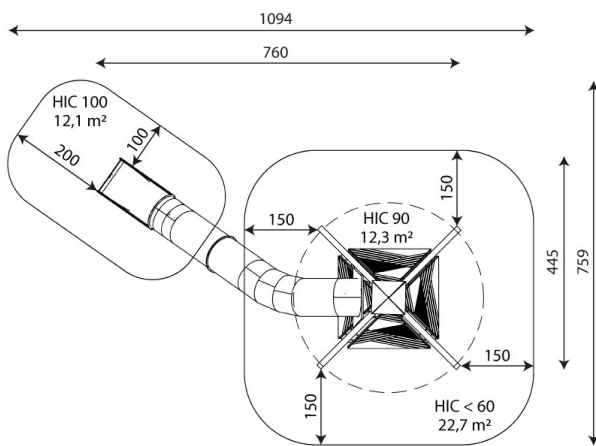
**Product data**

Length	760 cm
Width	445 cm
Total height	775 cm
Age group	4 - 14 years
Number of users	18 kids
Safety zone	47,1 m <sup>2</sup>
Free fall height	90 cm
The height of the platforms	95, 185 cm
tube slide platform height	365 cm
In accordance with norm EN	1176-1:2017+A1:2023
Availability of spare parts	YES

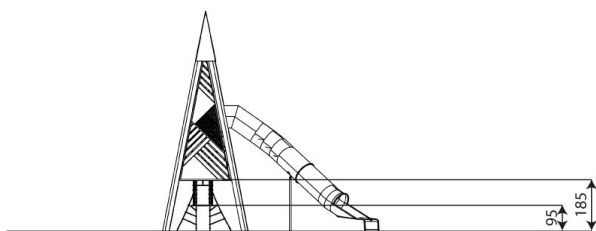
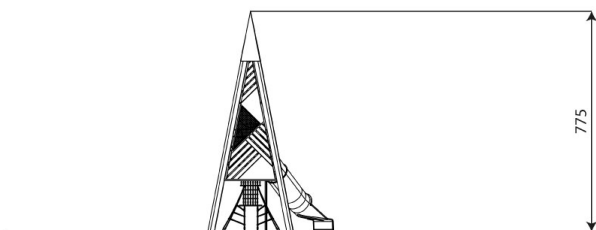
Data is subject to change without prior notice.

**Additional information**

- equipment intended for public playgrounds;
- equipment has a certificate issued by an accredited entity or a declaration of conformity;
- no sharp edges or chinks that would pose a danger of jamming the head, fingers or any other body parts;
- slide should not be installed southwards;
- render is for reference only, the actual appearance of the equipment and its color may vary;



47,1 m<sup>2</sup>



**Guarantee**

**30**

30 year guarantee - Durability of steel and stainless steel structural elements

**15**

15 year guarantee - Durability of steel and stainless steel structures of mobile devices; durability of Robinia wood structural elements

**10**

10 year guarantee - Structural strength of HDPE, 100% recycled HDPE and HPL elements; structural elements made of 100% recycled material (composite)

**5**

5 year guarantee - Corrosion resistance of stainless steel and hot-dip galvanized and powder-coated steel elements, resistance to bark beetles and rotting of wooden structural elements

Detailed information in the guarantee card



## Surfaces according to EN 1176-1:2017+A1:2023

	Description (mm)	Layer thickness (cm)	Maximum fall heights (cm)
Turf/ top layer of soil (A,B,C)	-	-	≤100
bark (A,C)	Particle size from 20 to 80	30	≤200
		40	≤300
woodchips (A,C)	Particle size from 5 to 30	30	≤200
		40	≤300
sand or gravel (A,C)	Particle size from 0,25 to 8	30	≤200
		40	≤300
synthetic attested (A,B,C)	Tested according to EN 1177		100

## Product technical sheet

# MAXX 2600

### Amount of safe surface corresponding with free fall height:

HIC <60 22,7 m<sup>2</sup>

HIC 90 12,3 m<sup>2</sup>

HIC 100 12,1 m<sup>2</sup>

Data is subject to change without prior notice.

