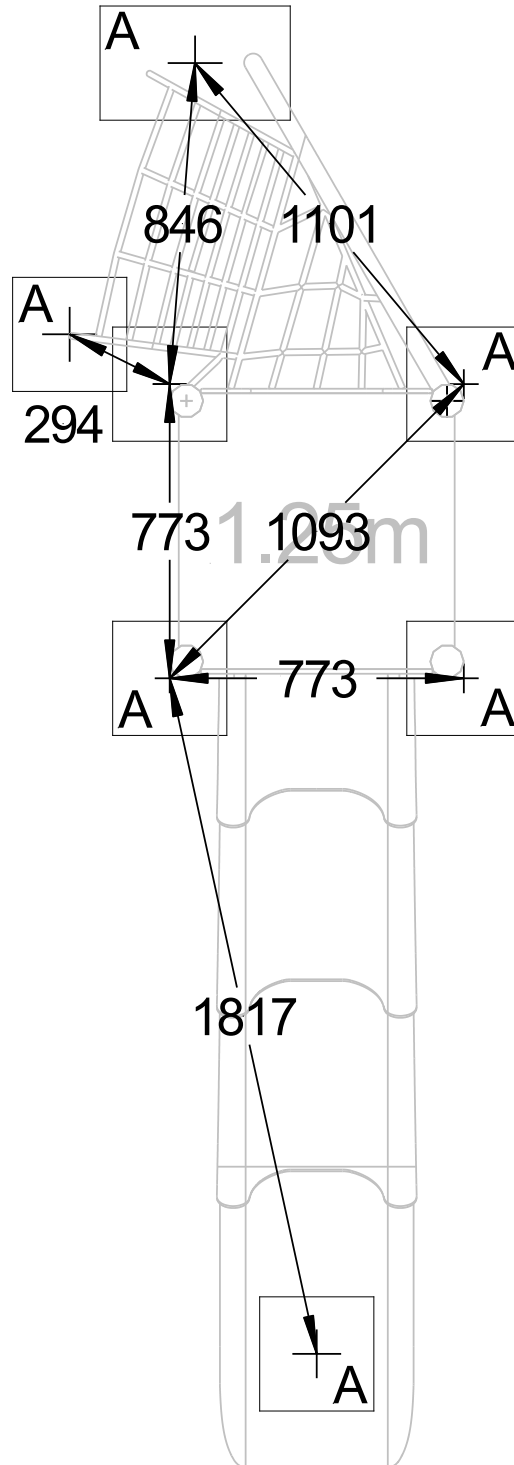


Unit Specification		
 Equipment Dimension	3.7m x 1.0m x 2.6m	 FHF
	1.5m	
 Overall Weight	163kg	 Heaviest Part
	27kg	
 Largest Part	2.4m x 0.5m x 0.5m	 Longest Part
	2.6m	
 Maximum Gradient	1 in 50	 Construction Space
	7.6m x 4.6m x 3.9m	
 Manpower Required	2	 Estimated Time
	4 hours	
 Concrete Required	0.6m <sup>3</sup>	 Concrete Required
	N/A	

# Foundation Digging Plan

All Units in mm Unless Otherwise Stated

$$A = 300 (w) \times 300 (l) \times 600 (d)$$



# BS-EN1176 Impact Area

## QLTHLTB013

All Units in mm Unless Otherwise Stated

