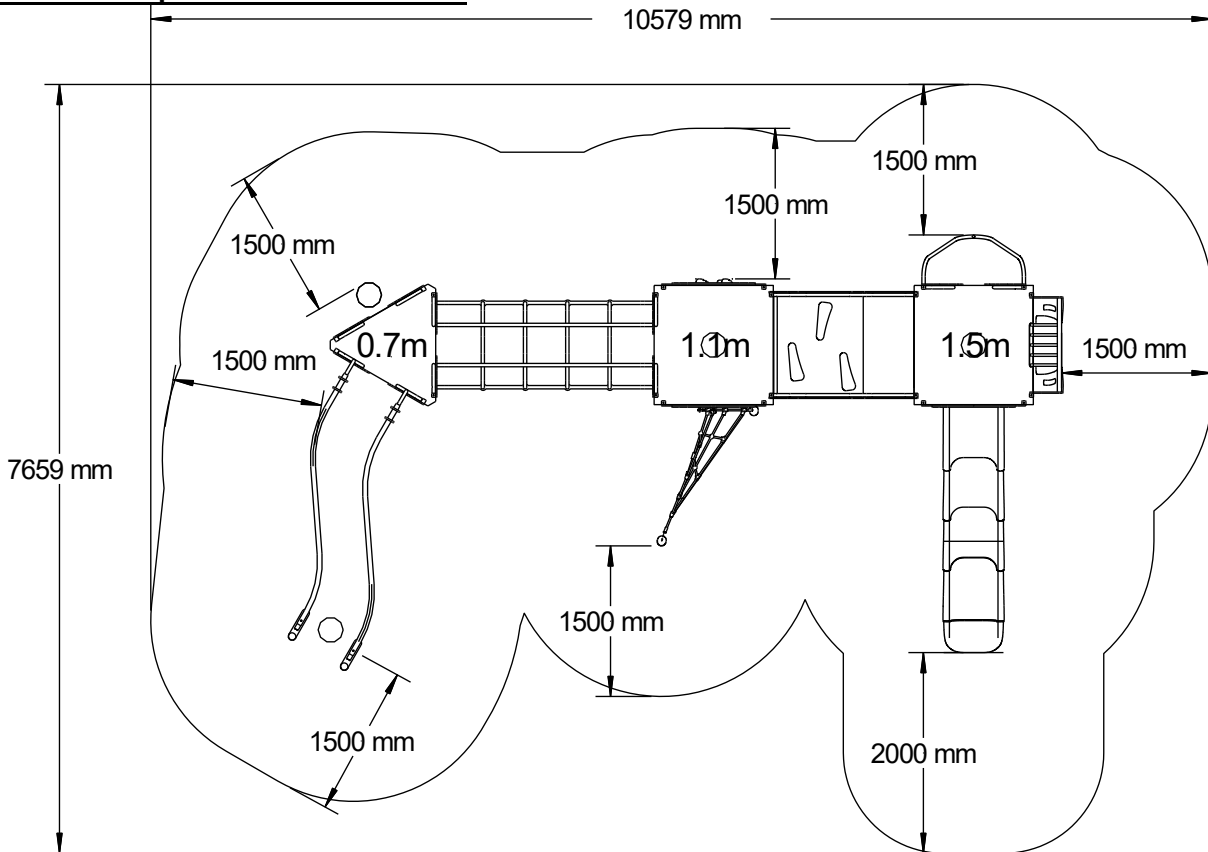


Number	Module Name	Code
1	<u>Overhead Hand Sliders</u>	BC#U
2	<u>Inclined Hoop Bars</u>	BC#M
3	<u>1.1m Square Tower</u>	BC#A11
4	<u>1.1m Climbing Wall</u>	BC#G1
5	<u>1.1m Twisted Climbing Net</u>	BC#I1
6	<u>Inclined Bridge without Net Ring</u>	BC#S11
7	<u>1.5m Square Tower</u>	BC#A12
8	<u>1.5m Firemans Pole</u>	BC#C2
9	<u>Lookout Tower</u>	BC#R
10	<u>1.5m Plastic Open Slide or SS Open Slide</u>	BC#B22 or BC#B12

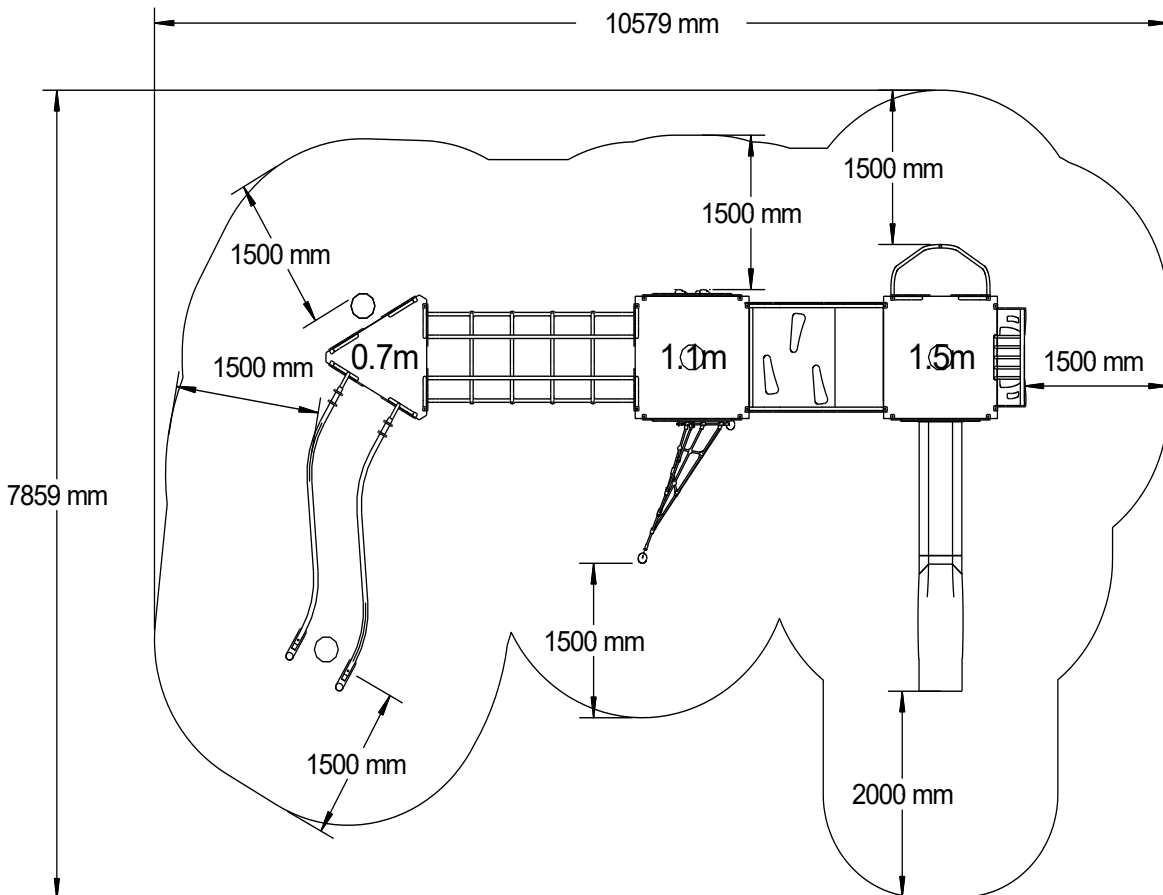


Unit Specification		
	7.8m x 4.4m x 3.1m	
	1.5m	
	903kg	
	40kg	
	3.0m x 0.6m x 0.6m	
	3.0m	
	1 in 50	
	11.2m x 8.1m x 4.3m	
	2	
	18.5 hours	
	1.1m ³	
	1.6m ³ (Surface Fixed)	

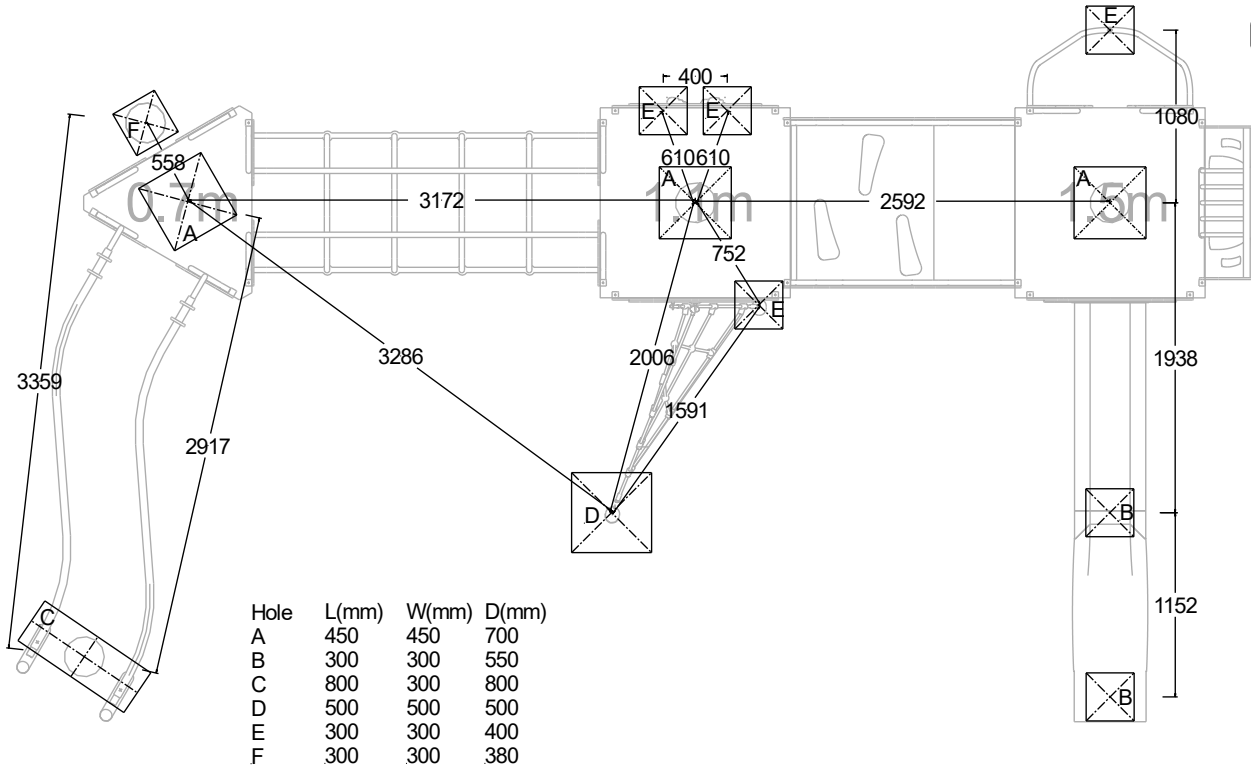
BS EN 1176 Impact Area - Plastic Slide



BS EN 1176 Impact Area - Stainless Steel Slide

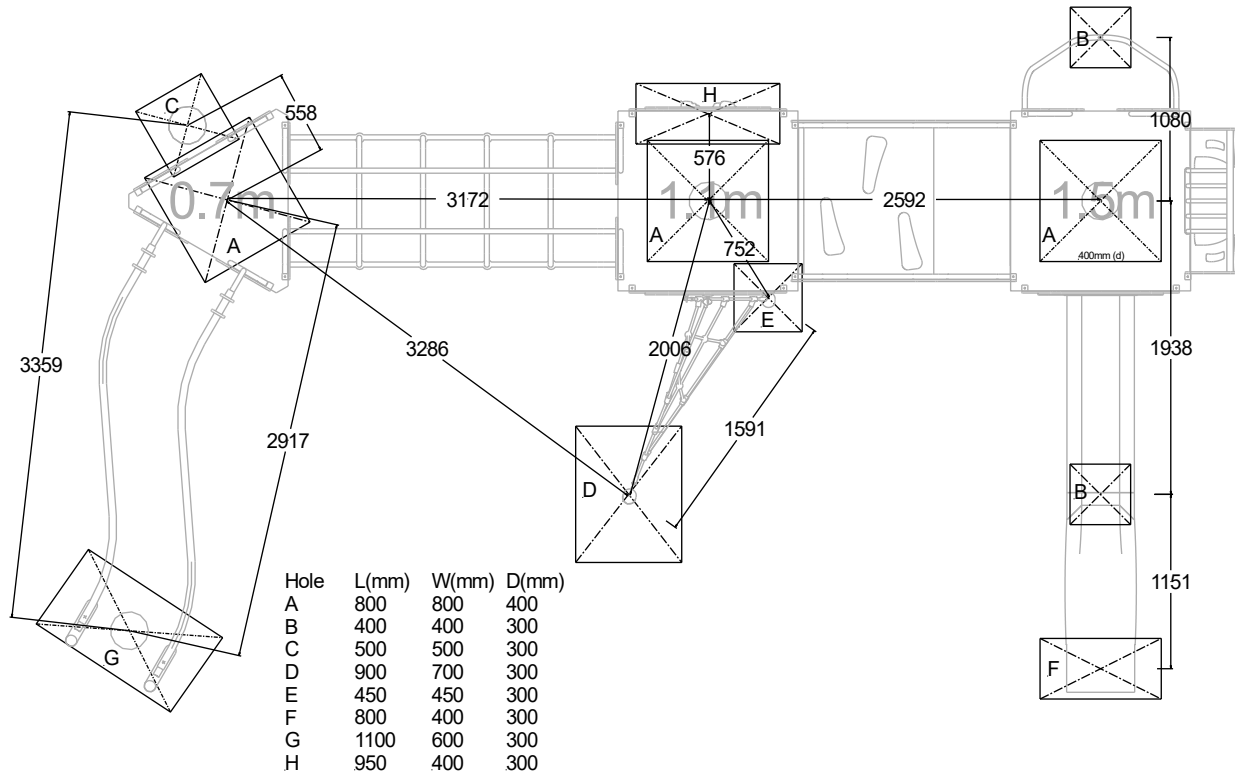


Standard Foundation Plan—Stainless Steel Slide Digging Plan



All Dimensions in mm unless otherwise stated

Surface Fixed Foundation Plan—Stainless Steel Slide Digging Plan



All Dimensions in mm unless otherwise stated