

Movers - Spinner



Code – SPI

Age

5-12 years

Materials

Stainless Steel

Sealed Bearings

Compact Grade

Laminate

Product Description

Twisted central pole and circular standing platform help make this spinning item; children can experience the thrills of speed and movement. Made from Stainless Steel and highly durable, children won't want to stop spinning.

Always supervise children playing on this equipment.

Technical Information

Equipment Dimensions

Length / Width / Height **0.50m x 0.50m x 1.9m**

Surfacing and Area Required

Recommended Minimum Space L/W/H **4.2m x 4.2m x 3.4m**

Max Gradient of Ground **1 in 50**

Free Height of Fall **0.6m**

Impact Area **10.15m²**

Synthetic Area
(i.e. EPDM/Wetpour/Synthetic Grass etc.) **10.15m²**

Loosefill at 150mm
(i.e. Bark/Cushionfall/Sand) **3m³**

1m x 1m Grassmats **16**

Installation Information

SGF

SF

Installation Time **1 Person(s) 1 Hour(s)** **1 Person(s) 1 Hour(s)**

Overall Weight **34kg** **29kg**

Heaviest Part **18kg** **18kg**

Largest Part **0.50m x 0.50m x 1.6m** **0.50m x 0.50m x 1.6m**

Longest Part **1.6m** **1.6m**




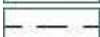
Concrete Required **0.1m³** **0.26m³**

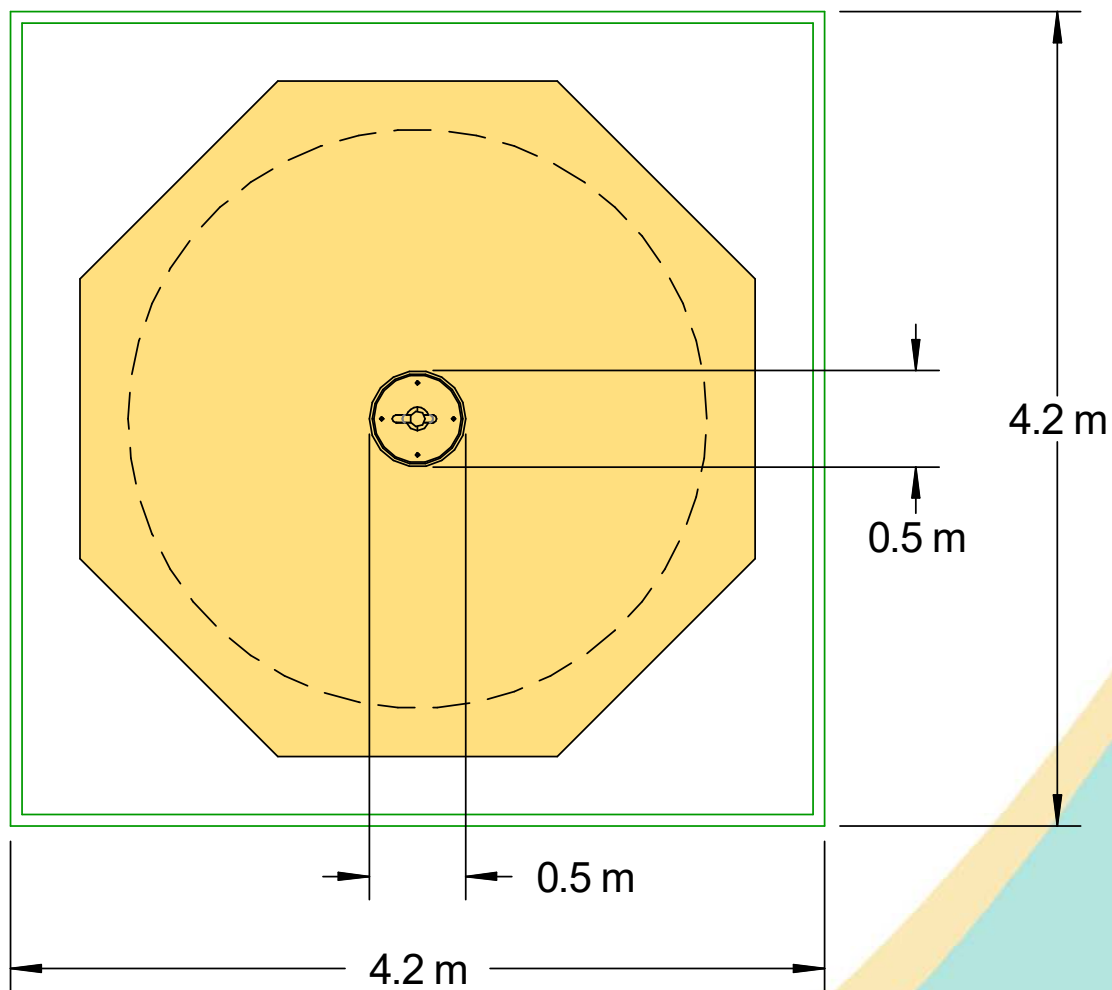
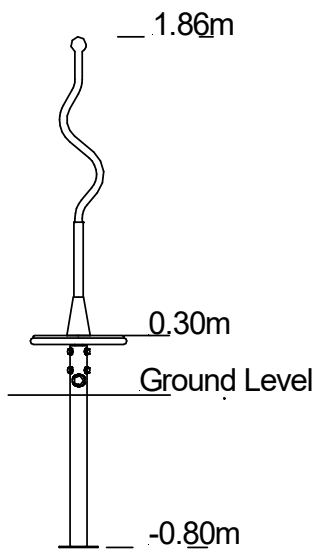
Certified to BS-EN 1176



[Click here for more information & downloads](#)



-  Loosefill Area
-  Impact Area
-  Free Space
-  Unit Spacing Boundary



[Click here for more information & downloads](#)

