

NATURO NT3627



3 - 14 years



38 kids



43,5 m²



Material specification

- Construction made of the highest quality laminated, impregnated and double coated pine wood 90 x 90 mm without knots, secured from the top with polypropylene plugs,
- Metal anchors made of hot dip galvanized steel, protecting the wood from direct contact with the ground to prevent rot and to extend the product's life,
- Structural elements made of top-quality glued, impregnated, and double-painted knot-free pinewood, weather-resistant;
- Platforms made of durable anti-slip and waterproof HPL plate,
- Structure for platforms made of hot-dip galvanized and powder coated steel;
- Roofs and covers made of top-quality laminated, impregnated, and double-painted knot-free pine wood, resistant to weather conditions;
- Transparent polycarbonate panels resistant to weather conditions,
- Transparent polycarbonate panels with a weather-resistant print,
- Covers made of hot-dip galvanized and powder coated steel mesh,
- Slides made of stainless steel with durable HPL side panels,
- Climbing walls made of top-quality glued, impregnated, and double-painted knot-free pinewood with HPL side panels, weather-resistant;
- Educational panels made of printed, weather-resistant polycarbonate;
- Moving elements made of durable HPL plate, resistant to weather conditions,
- Drawing board made of durable HPL plate, resistant to weather conditions,
- Maze windows made of polycarbonate, balls made of synthetic material,
- Maze made of durable HDPE plate, resistant to weather conditions, and transparent polycarbonate, balls made of synthetic material
- Steel ropes in polypropylene braid, connected with durable plastic elements, stainless steel or aluminum,
- Stainless steel bars and handrails,
- Screws covered with plastic caps and/or stainless steel screws,



Facilitating disability



easy access



shelters



integration



Intellectual development



manipulation



thinking



Physical development



hiding



sliding



rest



climbing



roofs





1
number of towers



2
number of slides



3
number of roofs



5
number of interactive elements



5
number of activity elements

Product technical sheet

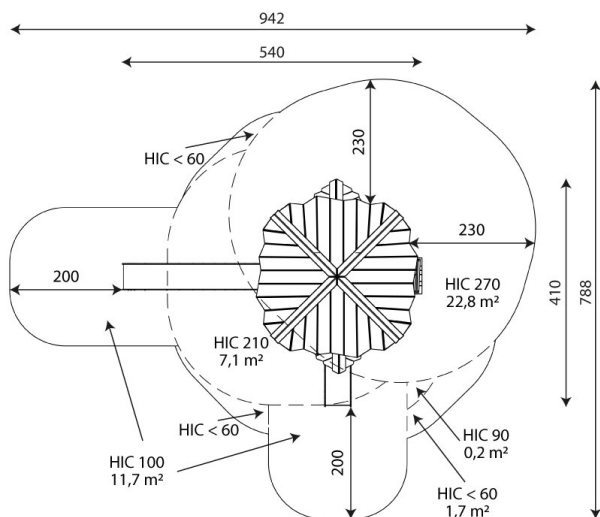
NATURO NT3627

Product data

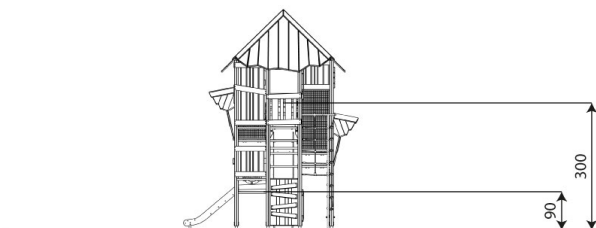
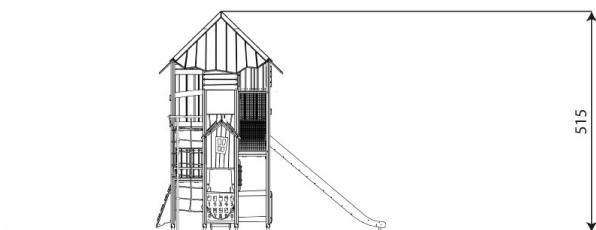
Length	540 cm
Width	410 cm
Total height	515 cm
Age group	3 - 14 years
Number of users	38 kids
Safety zone	43,5 m2
Free fall height	270 cm
The height of the platforms	90, 120, 150, 180, 210, 240, 300 cm
slide platform height	90, 210 cm
In accordance with norm EN	1176-1:2017+A1:2023
Availability of spare parts	YES

Color options

Data is subject to change without prior notice.



43,5 m²



Additional information

- equipment adapted for the disabled; intended for public playgrounds;
- equipment has a certificate issued by an accredited entity or a declaration of conformity;
- no sharp edges or chinks that would pose a danger of jamming the head, fingers or any other body parts;
- anchoring on flat surface, 80/70 cm deep;
- slide should not be installed southwards;
- render is for reference only, the actual appearance of the equipment and its color may vary;

Guarantee

30 30 year guarantee - Durability of steel and stainless steel structural elements

15 15 year guarantee - Durability of steel and stainless steel structures of mobile devices; durability of Robinia wood structural elements

10 10 year guarantee - Structural strength of HDPE, 100% recycled HDPE and HPL elements; structural elements made of 100% recycled material (composite)

5 5 year guarantee - Corrosion resistance of stainless steel and hot-dip galvanized and powder-coated steel elements, resistance to bark beetles and rotting of wooden structural elements

Detailed information in the guarantee card

Vinci Sp. z o.o.
Seminaryjna 9 Street
99-400 Łowicz

VAT: 534-265-18-84
PHONE: +48 42 203 24 99 ext. 26
M: +48 793 404 991



biuro@vinci-play.com
info@vinci-play.com
www.vinci-play.com

Surfaces according to EN 1176-1:2017+A1:2023

	Description (mm)	Layer thickness (cm)	Maximum fall heights (cm)
Turf/ top layer of soil (A,B,C)	-	-	≤100
bark (A,C)	Particle size from 20 to 80	30	≤200
		40	≤300
woodchips (A,C)	Particle size from 5 to 30	30	≤200
		40	≤300
sand or gravel (A,C)	Particle size from 0,25 to 8	30	≤200
		40	≤300
synthetic attested (A,B,C)	Tested according to EN 1177		270

Product technical sheet

NATURO NT3627

Amount of safe surface corresponding with free fall height:

HIC <60	1,7 m ²
HIC 90	0,2 m ²
HIC 100	11,7 m ²
HIC 210	7,1 m ²
HIC 270	22,8 m ²

Data is subject to change without prior notice.

