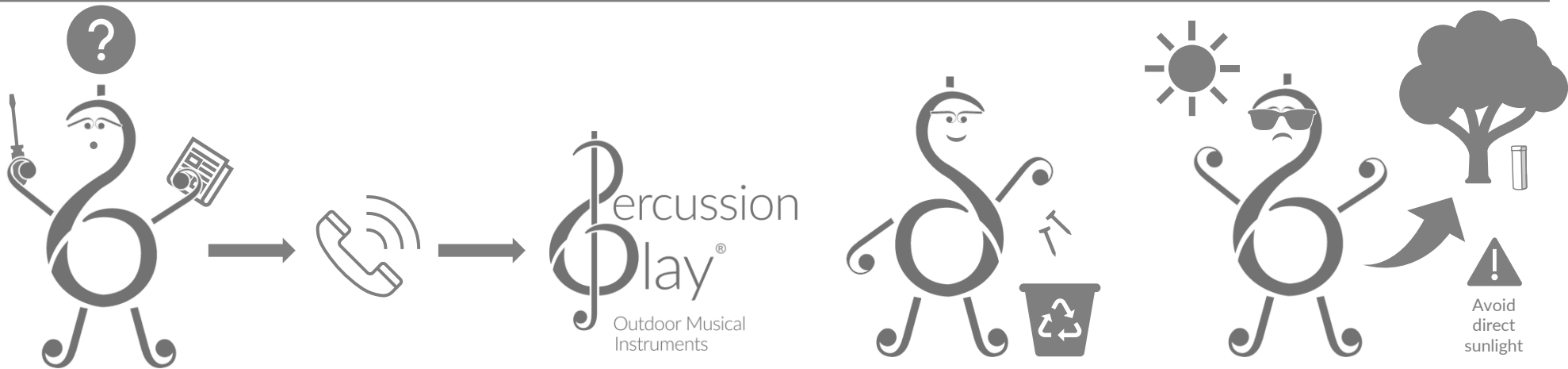
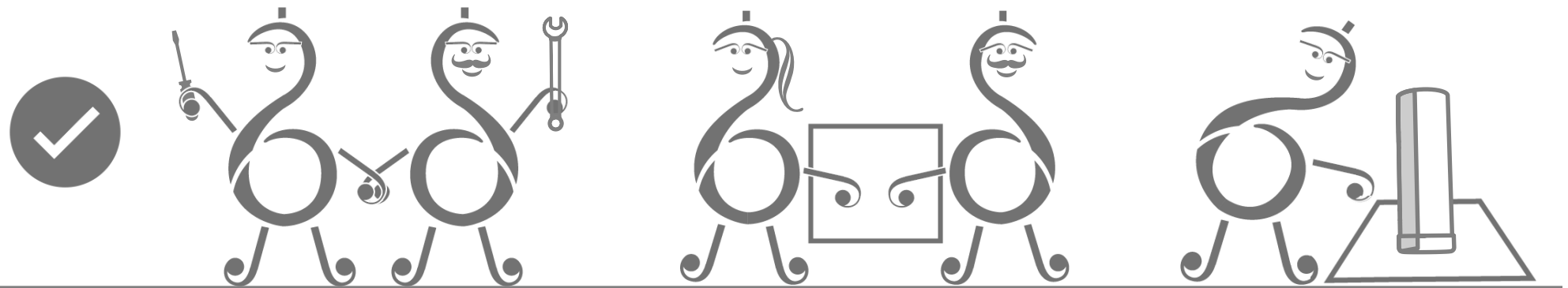
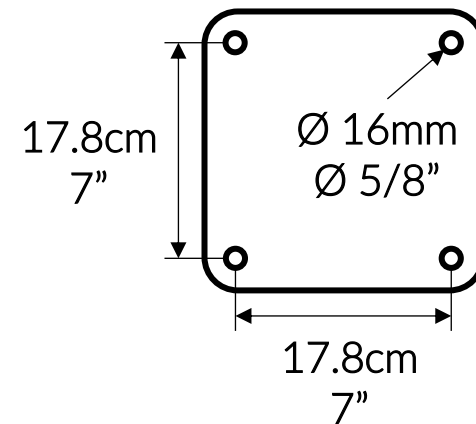
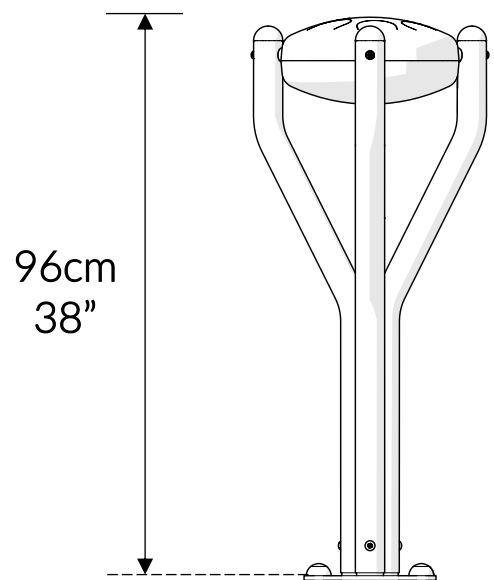
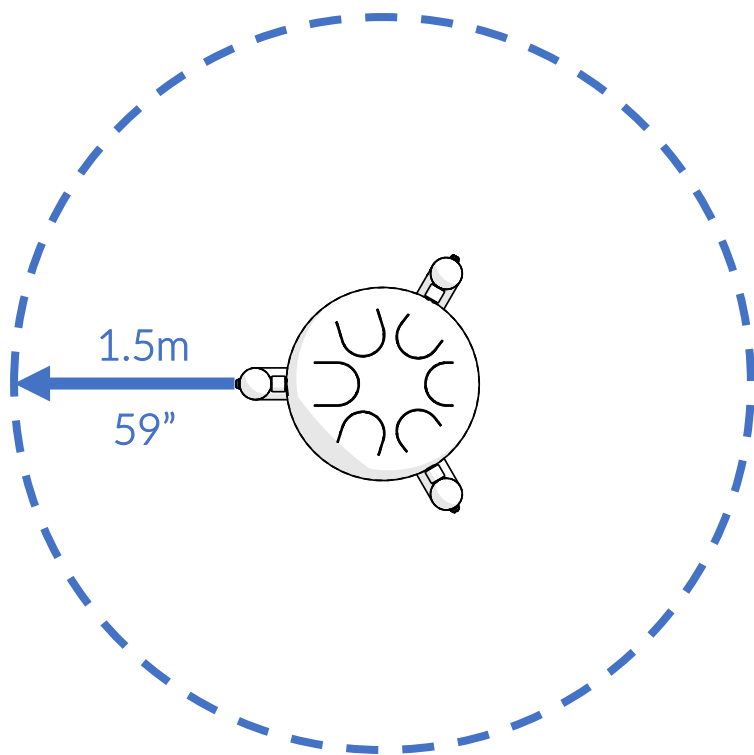


Part Reference	Description
PP-BABL-SML-SF	Babel Drum (Small) - C-Major (Surface Fix)

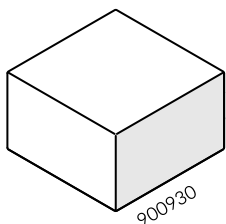




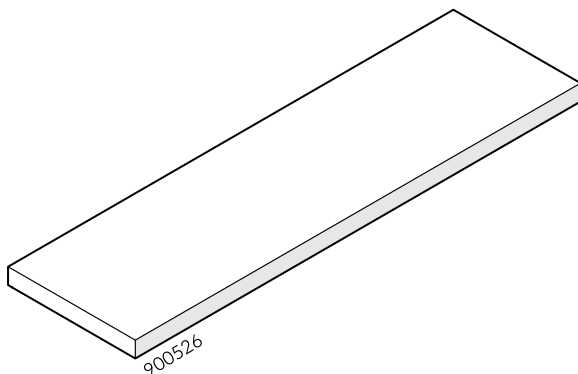


Check Risk Assessment

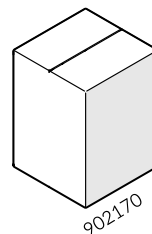
Packages



x1



x1

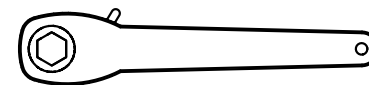


x1

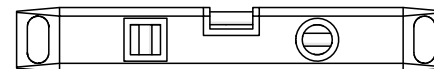
		L	W	H	Weight	Net
x1	900930	34cm / 13"	34cm / 13"	21cm / 8"	7kg / lbs	
x1	900526	140cm / 55"	40cm / 16"	5cm / 2"	10kg / 22lbs	
x1	902170	32cm / 12.5"	23cm / 9"	23cm / 9"	6kg / lbs	

Tools required (not supplied)

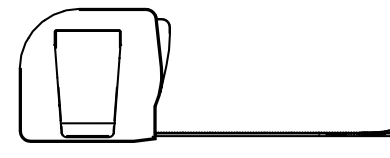
¼" Bit Driver Ratchet

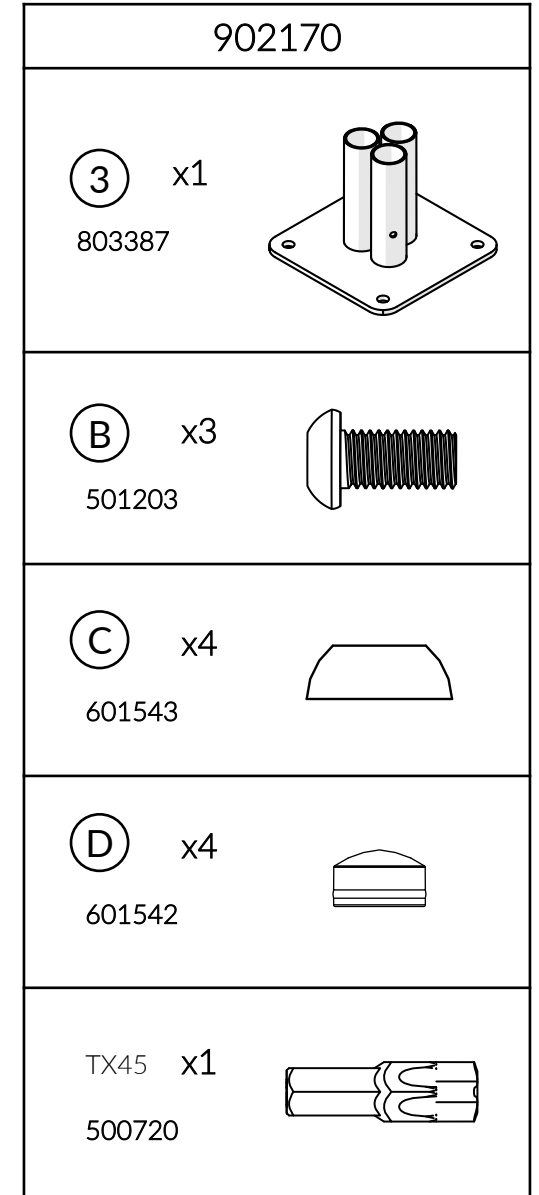
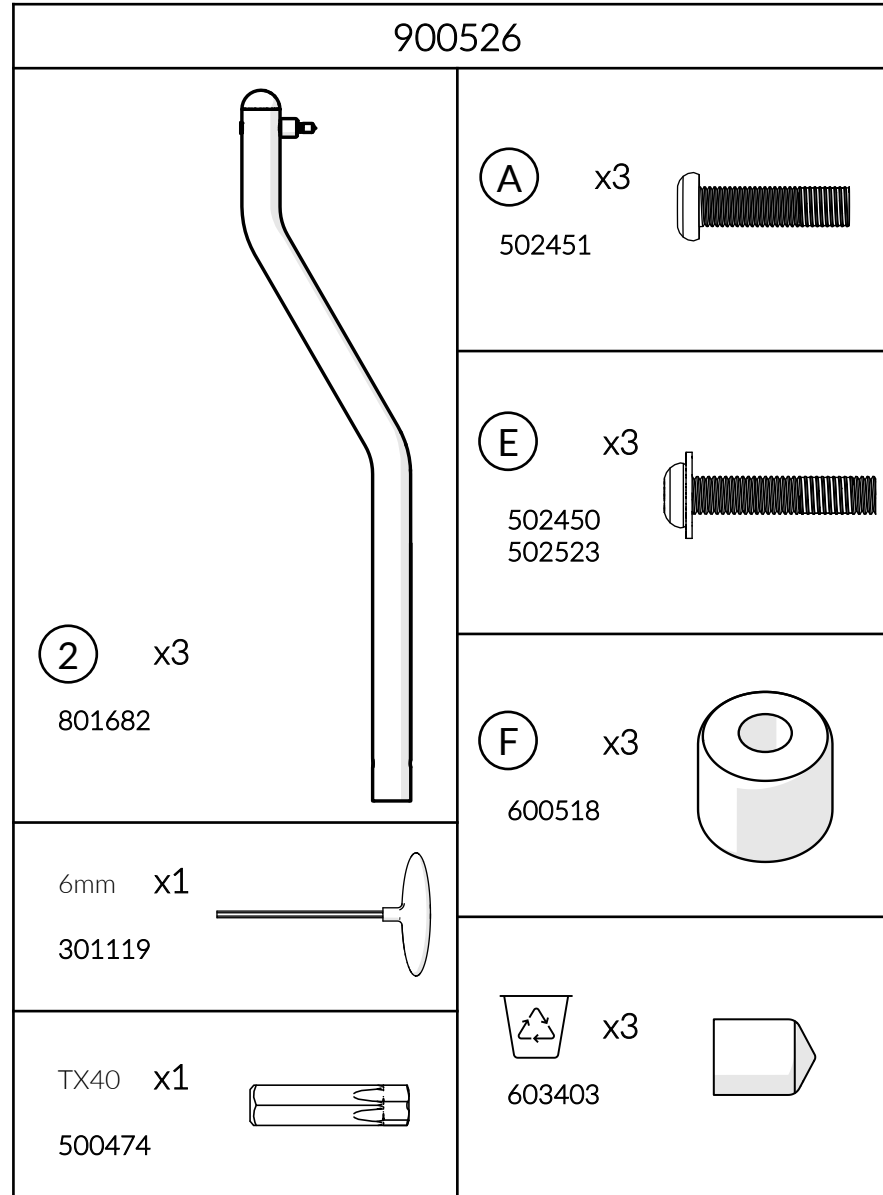
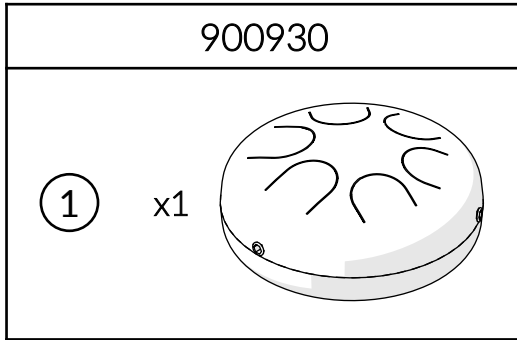


Spirit level



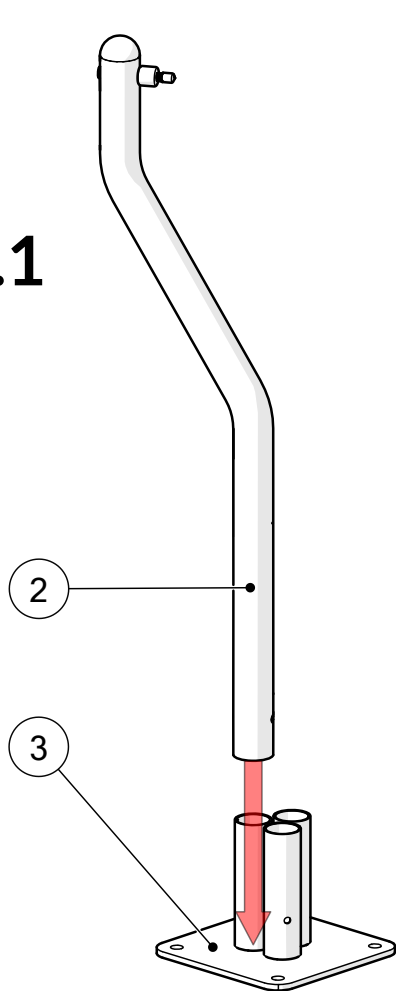
Tape Measure



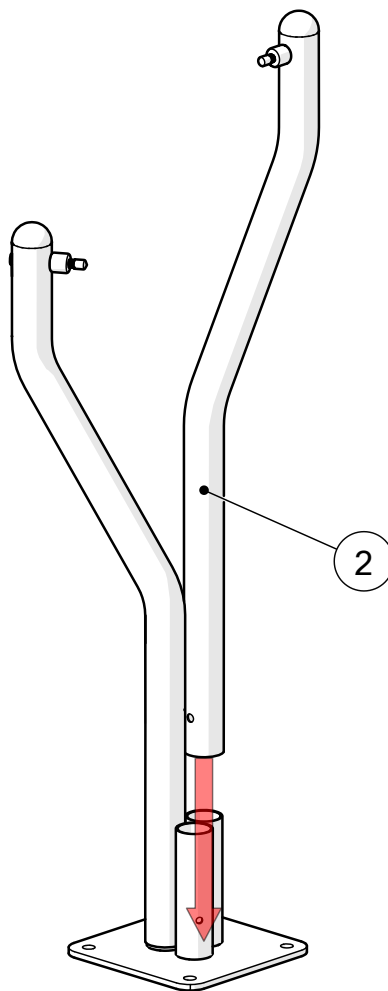


1.

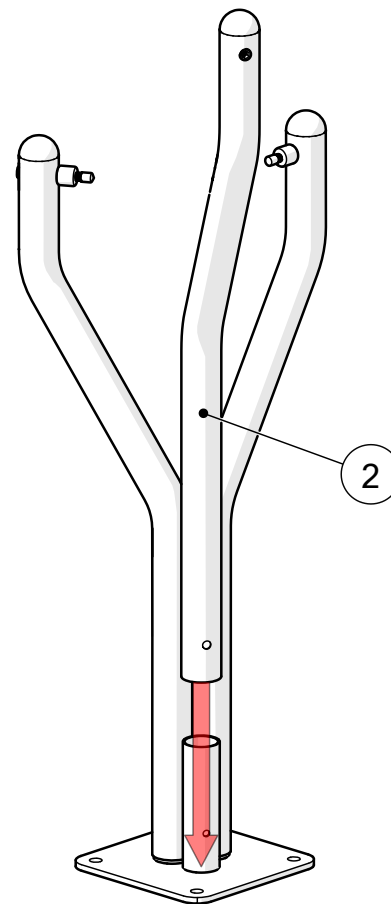
1.1



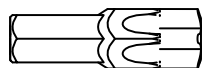
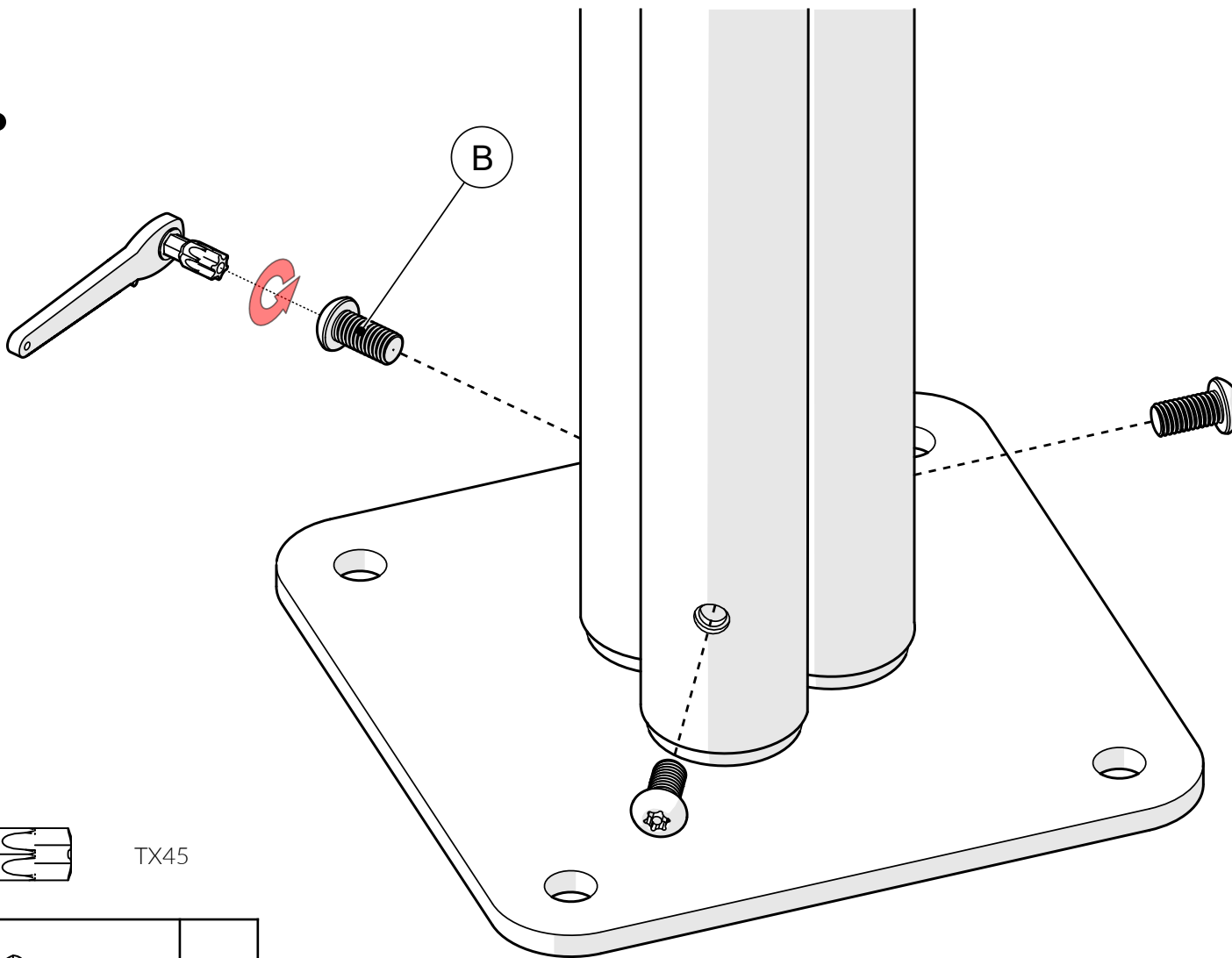
1.2



1.3



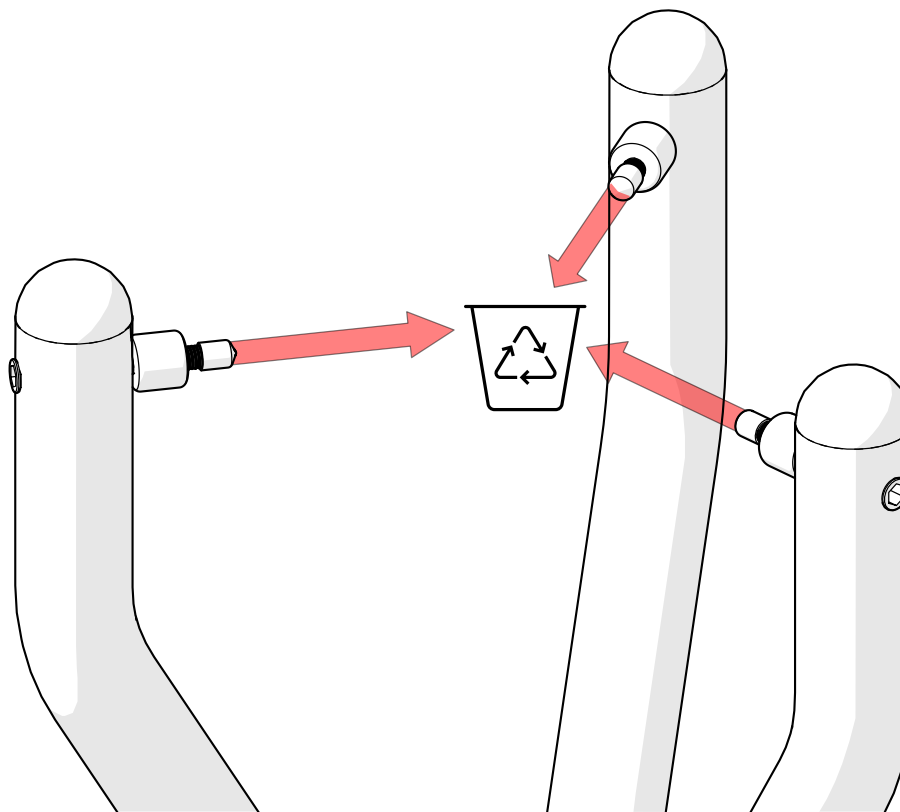
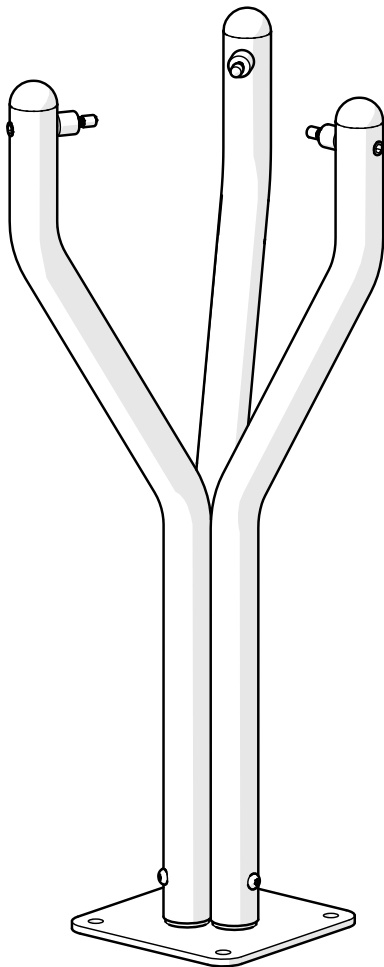
2.



TX45

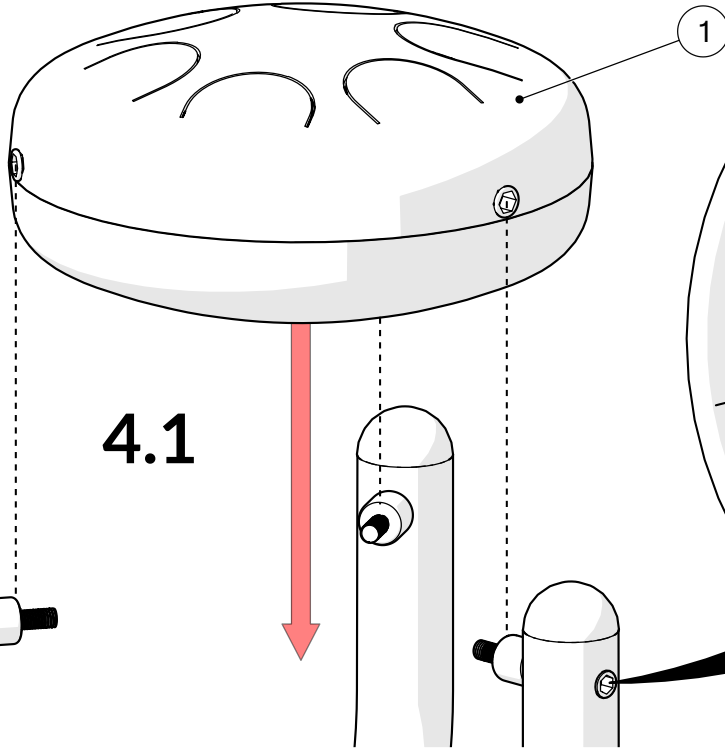
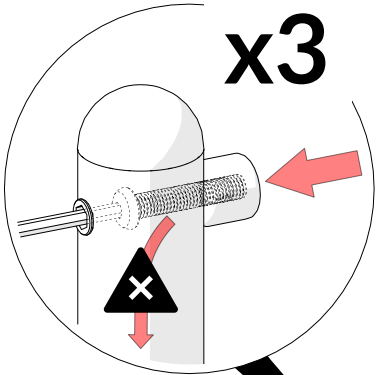
B		x3
---	--	----

3.



4.

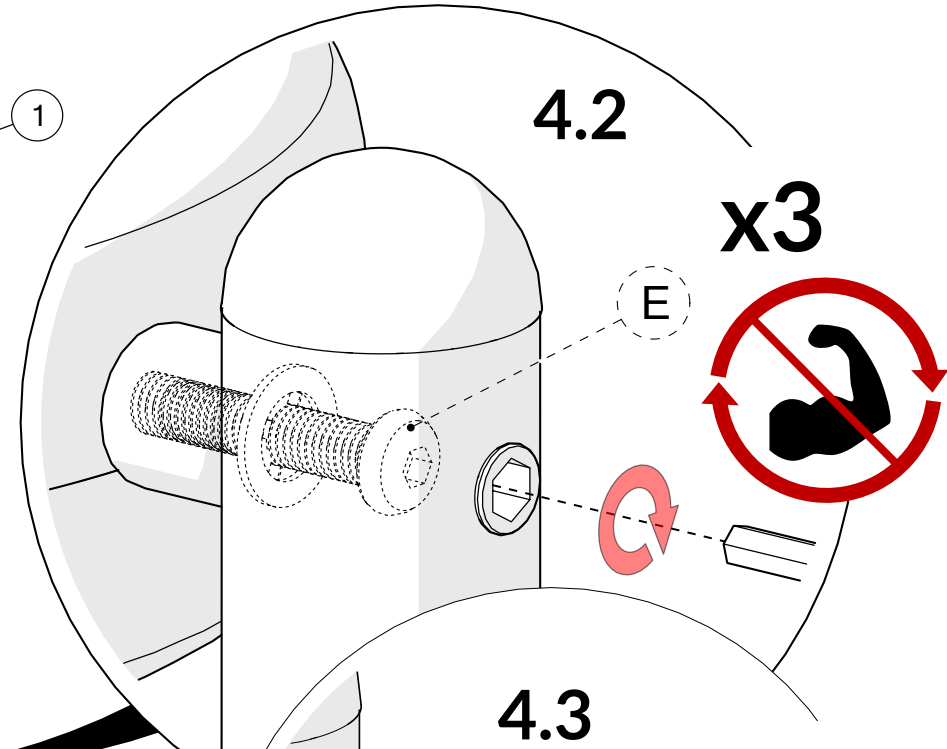
x3



4.1

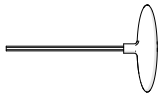
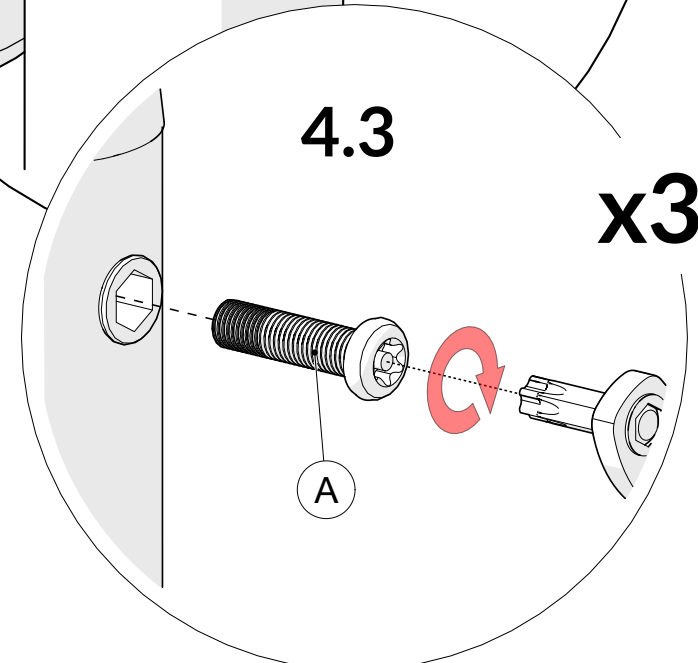
4.2

x3

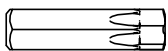


4.3

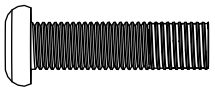
x3



6mm Hex Key



TX40

A		x3
---	---	----

5.



Surface fixing should not present a hazard

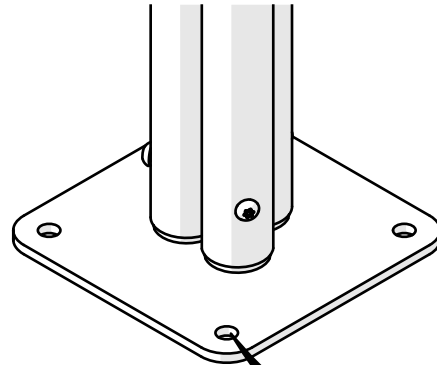
Refer to your local Health & Safety standards

C		x4
D		x4

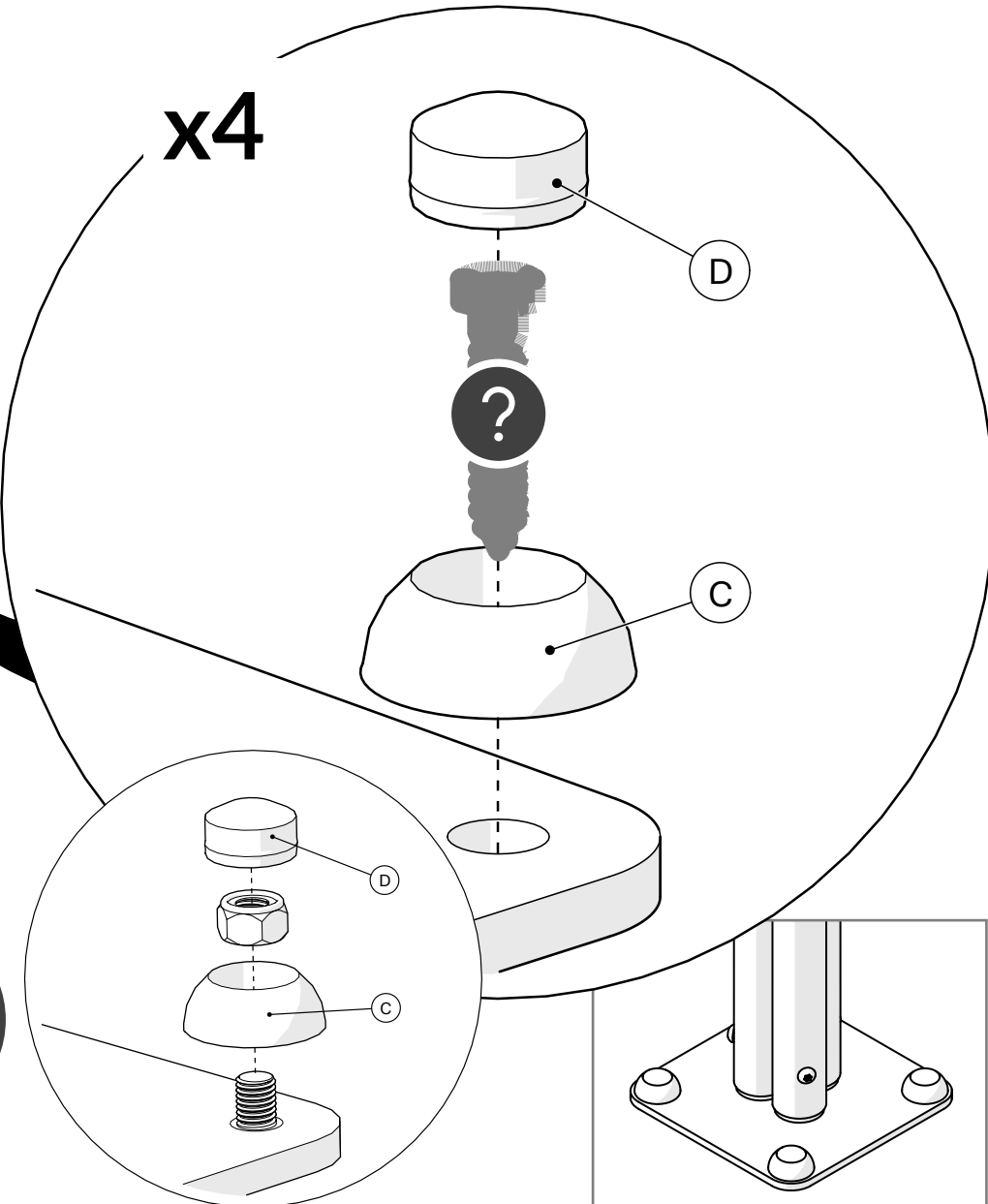
Surface

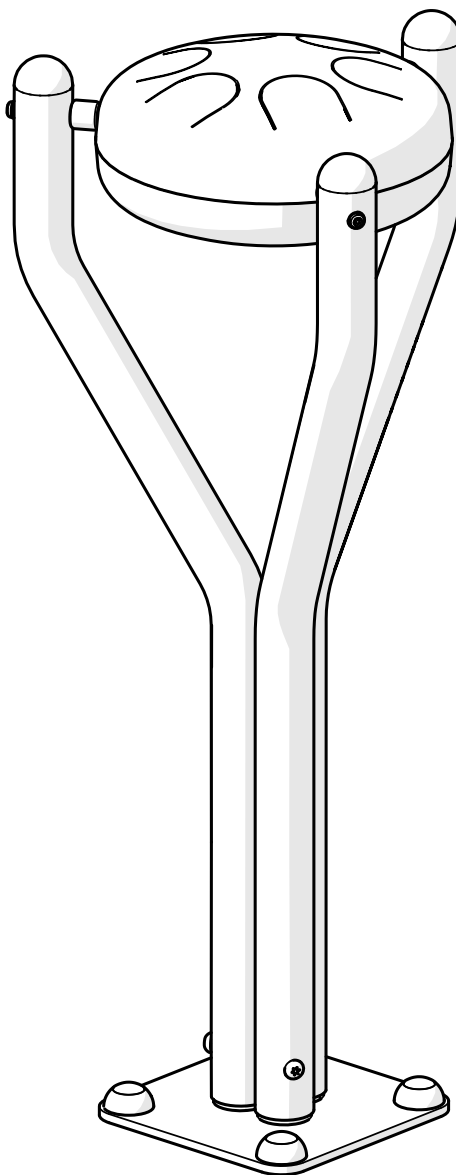
Example fixing

	Wood		x4
	Concrete		x4
	Brick		x4



x4





percussionplay.com



info@percussionplay.com



UK
[01730 235 180](tel:01730235180)

USA & CAN
[+1 \(866\) 882 9170](tel:+18668829170)

EUR & ROW
[+44 1730 235 180](tel:+441730235180)