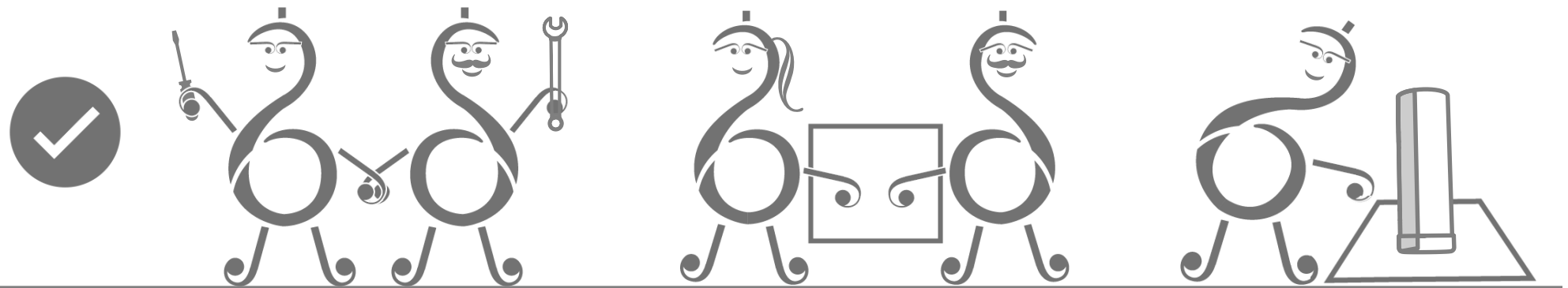
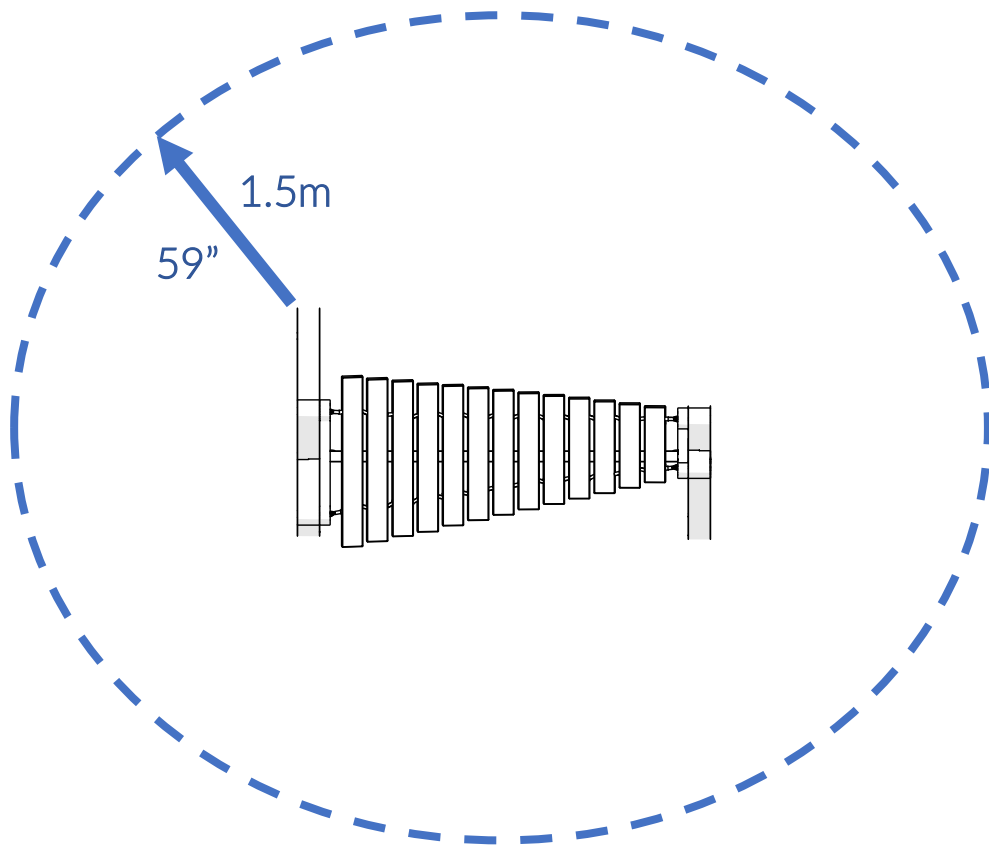


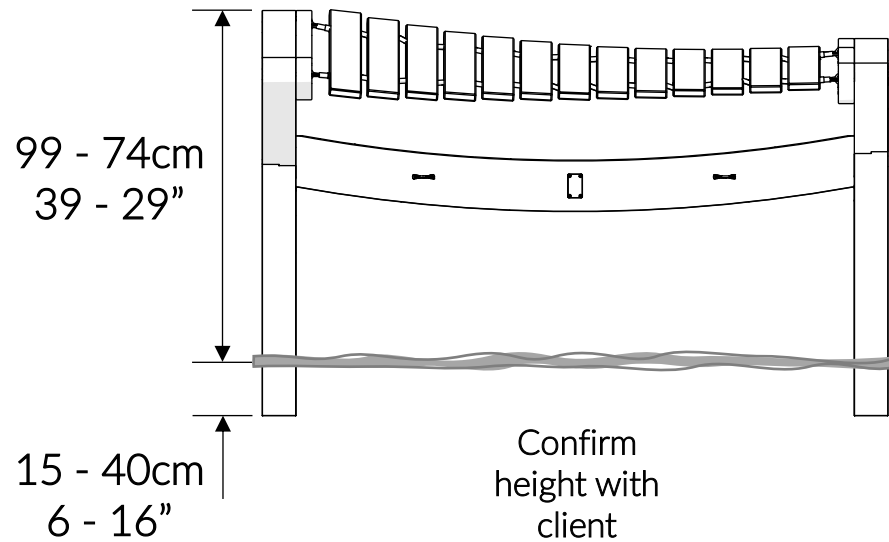
Part Reference	Description
PP-AKAD-GF	Akadinda - (Ground Fix)



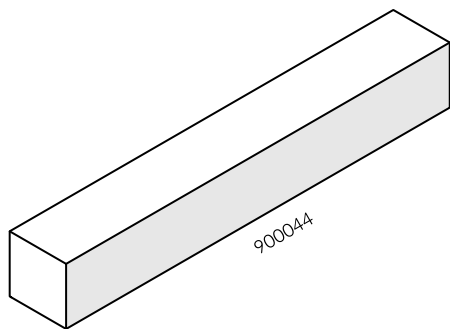




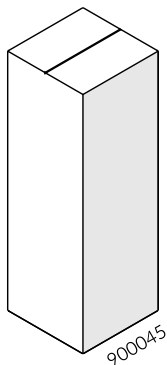
Check Risk Assessment



Packages



x1

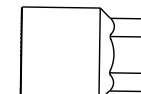
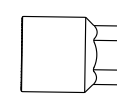


x1

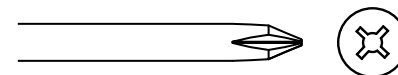
		L	W	H	Weight	Net
x1	900044	170cm / 67"	25cm / 10"	25cm / 10"	25kg / 55lbs	
x1	900045	80cm / 31.5"	27cm / 10.5"	27cm / 10.5"	15kg / 33lbs	

Tools required (not supplied)

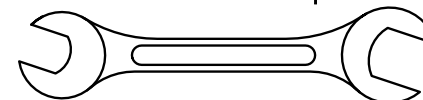
¼" Bit Driver Ratchet ½" + 21/32" Socket spanner



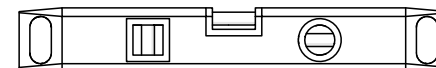
Crosshead Screwdriver



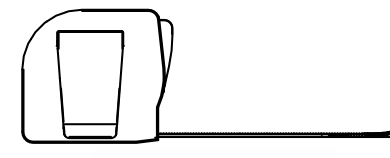
11/16" / 17mm Spanner



Spirit level



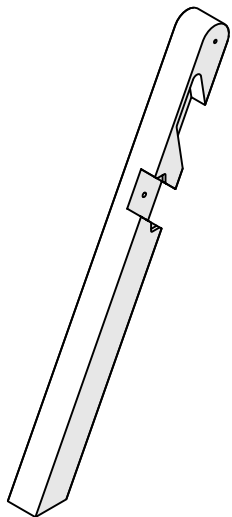
Tape Measure



900044

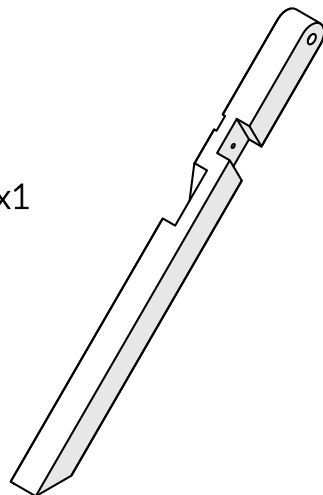
① x1

L27
604665



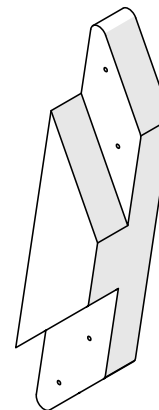
② x1

L45
604666



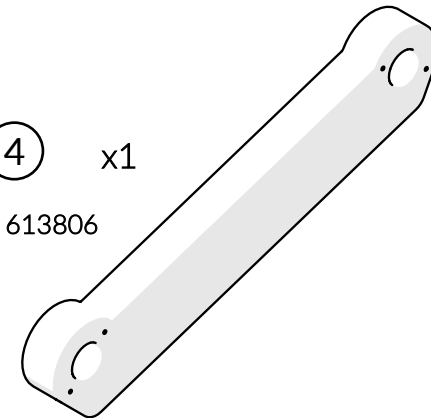
③ x1

604667



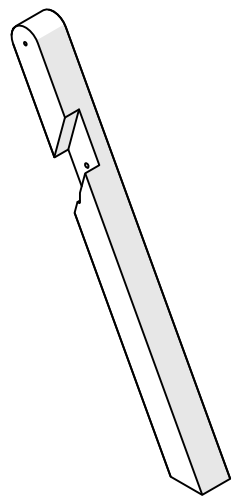
④ x1

613806



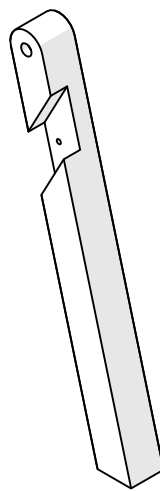
⑤ x1

R28
604668



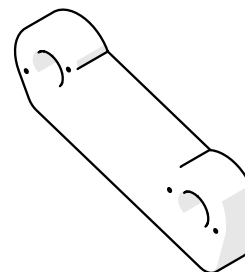
⑥ x1

R15
604669



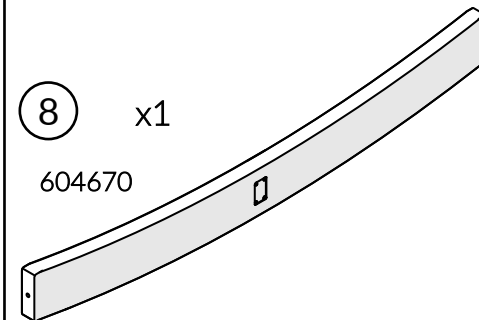
⑦ x1

613807



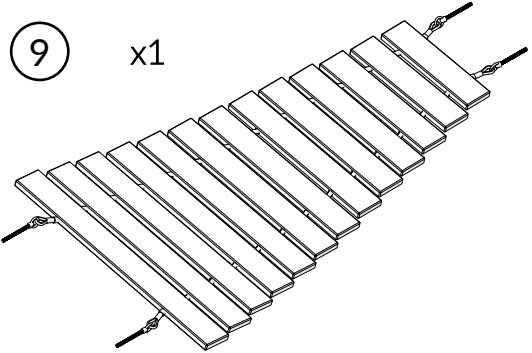
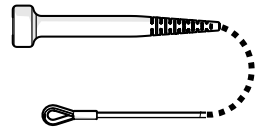

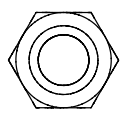
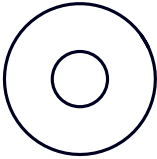
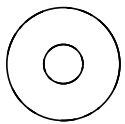

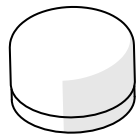
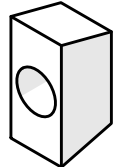
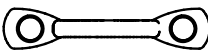

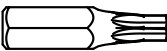
⑧ x1

604670

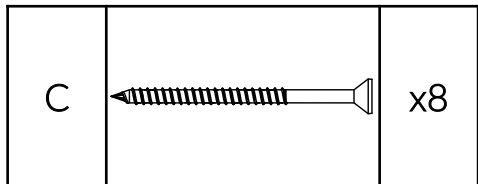
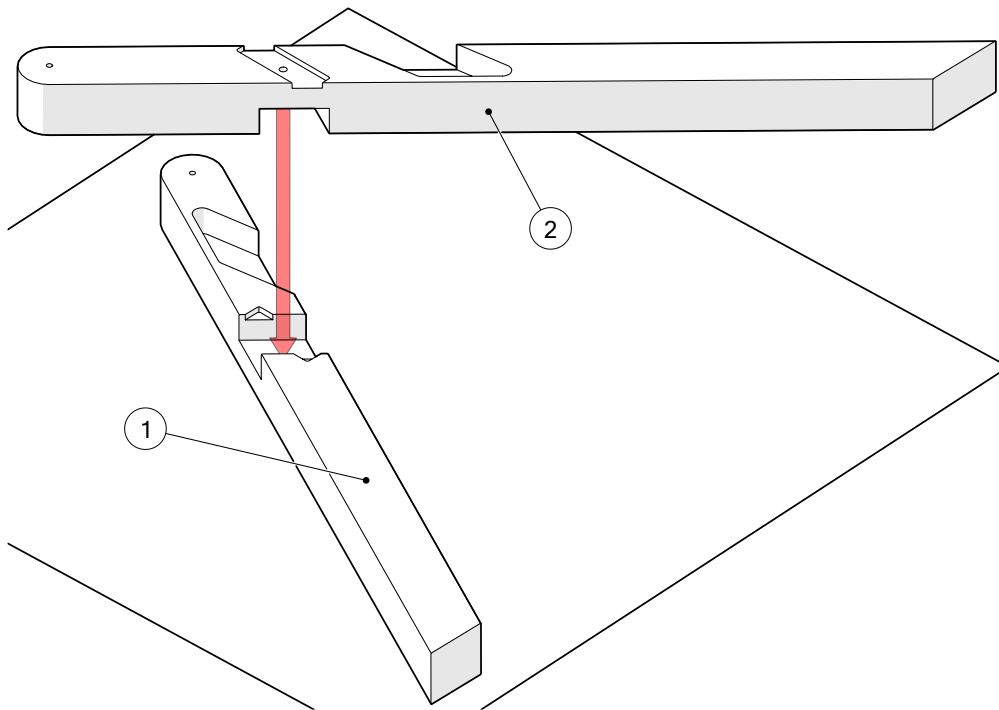


900045

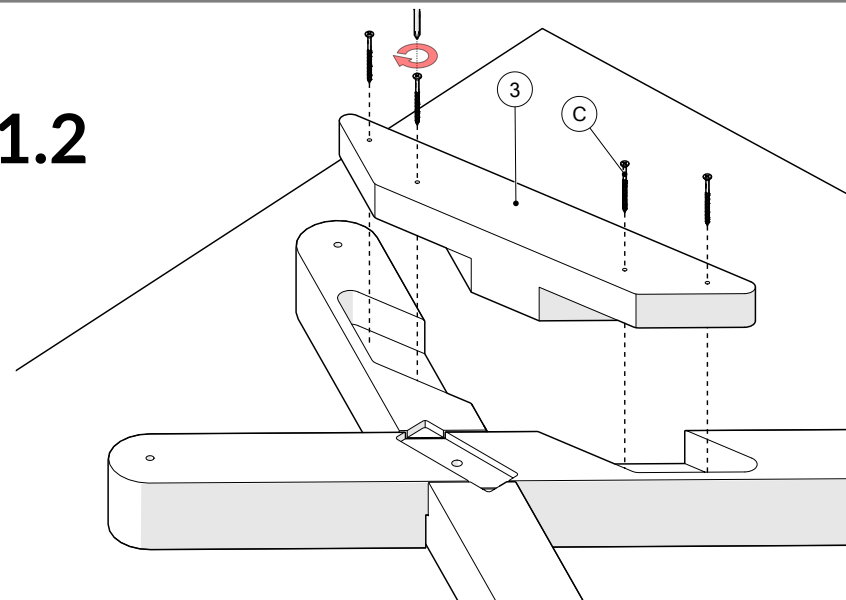
Not to scale

<p>9 x1</p> 	<p>10 x4 900832</p> 
<p>A x2 500458</p> 	<p>E x4 500676</p> 
<p>B x2 500444</p> 	<p>F x8 500471</p> 
<p>C x12 500711</p> 	<p>G x8 600721</p> 
<p>D x2 500441</p> 	<p>H x2 603150</p> 
	<p>I x4 500448</p> 
	<p>TX25 x1 500472</p> 

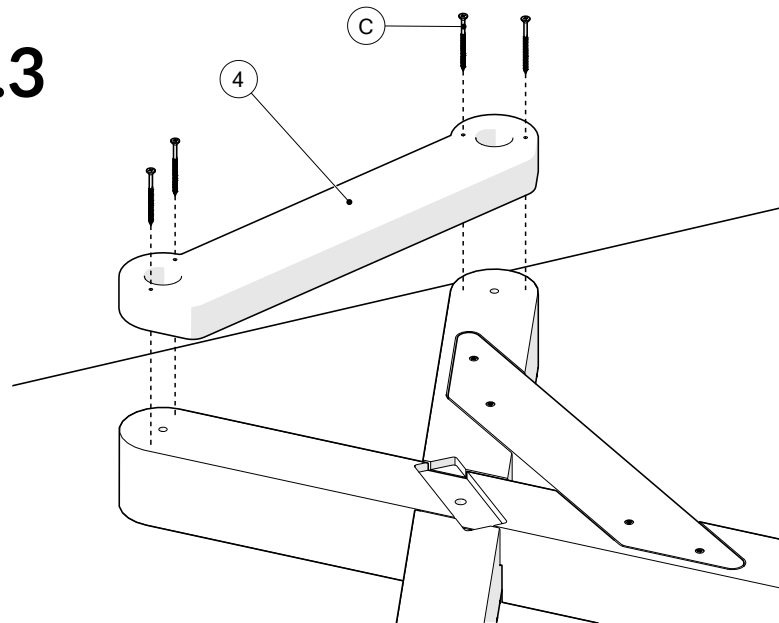
1. 1.1



1.2

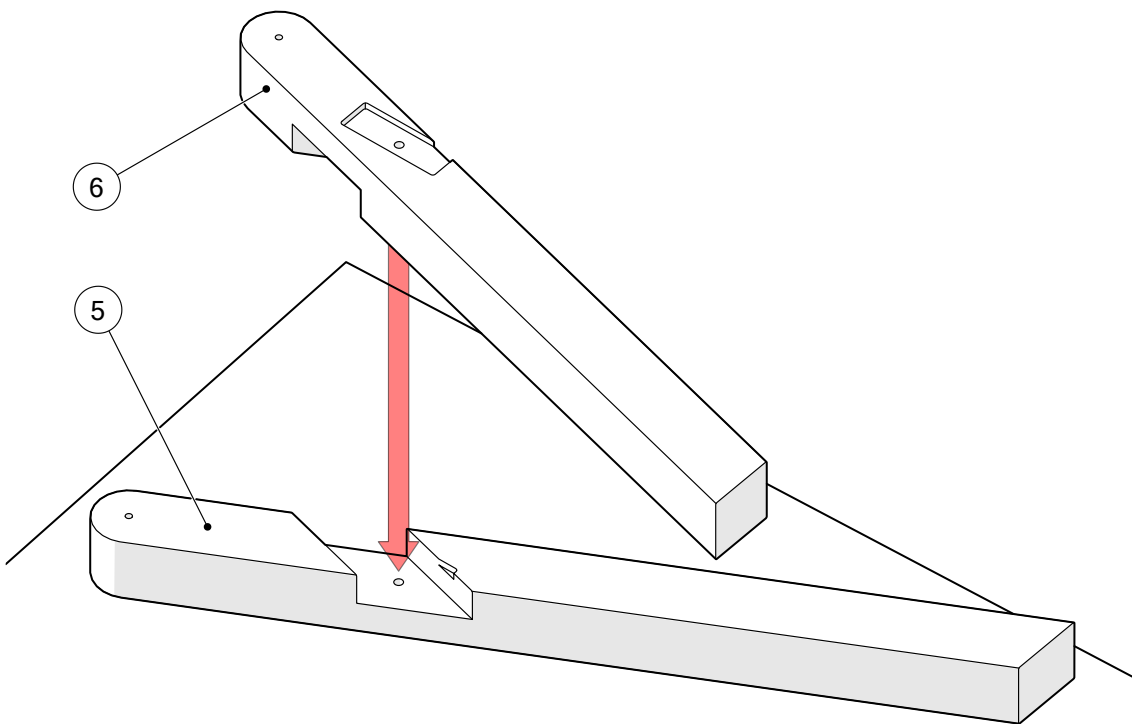


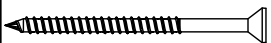
1.3



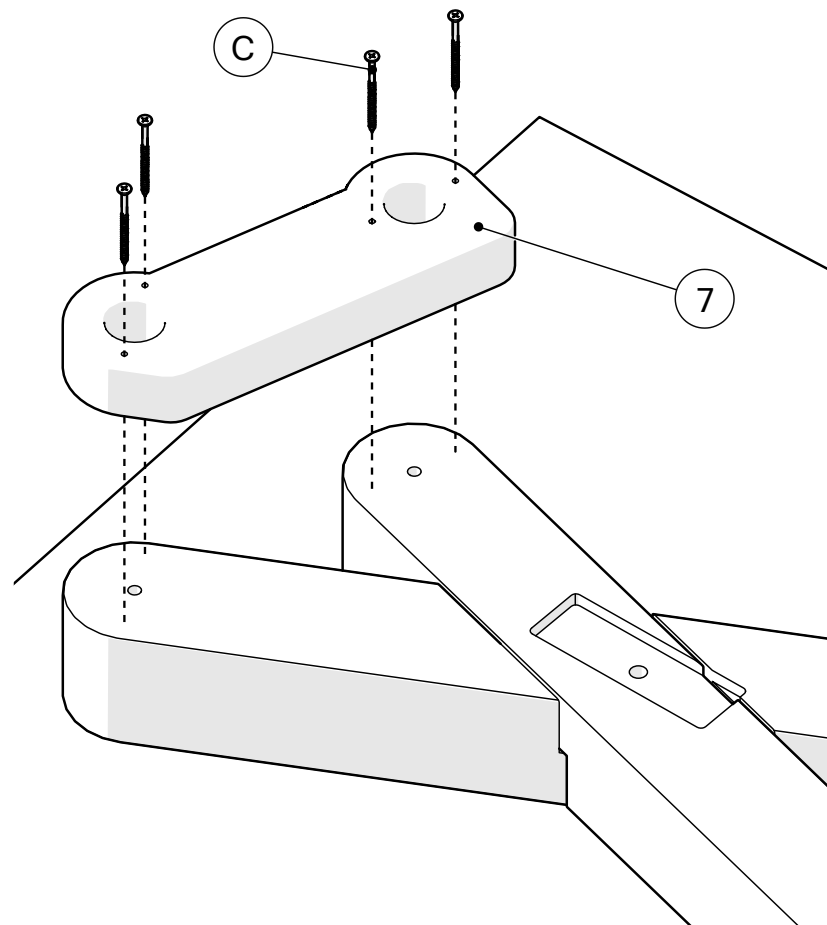
2.

2.1

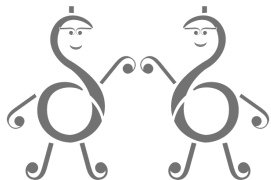


C		x4
---	---	----

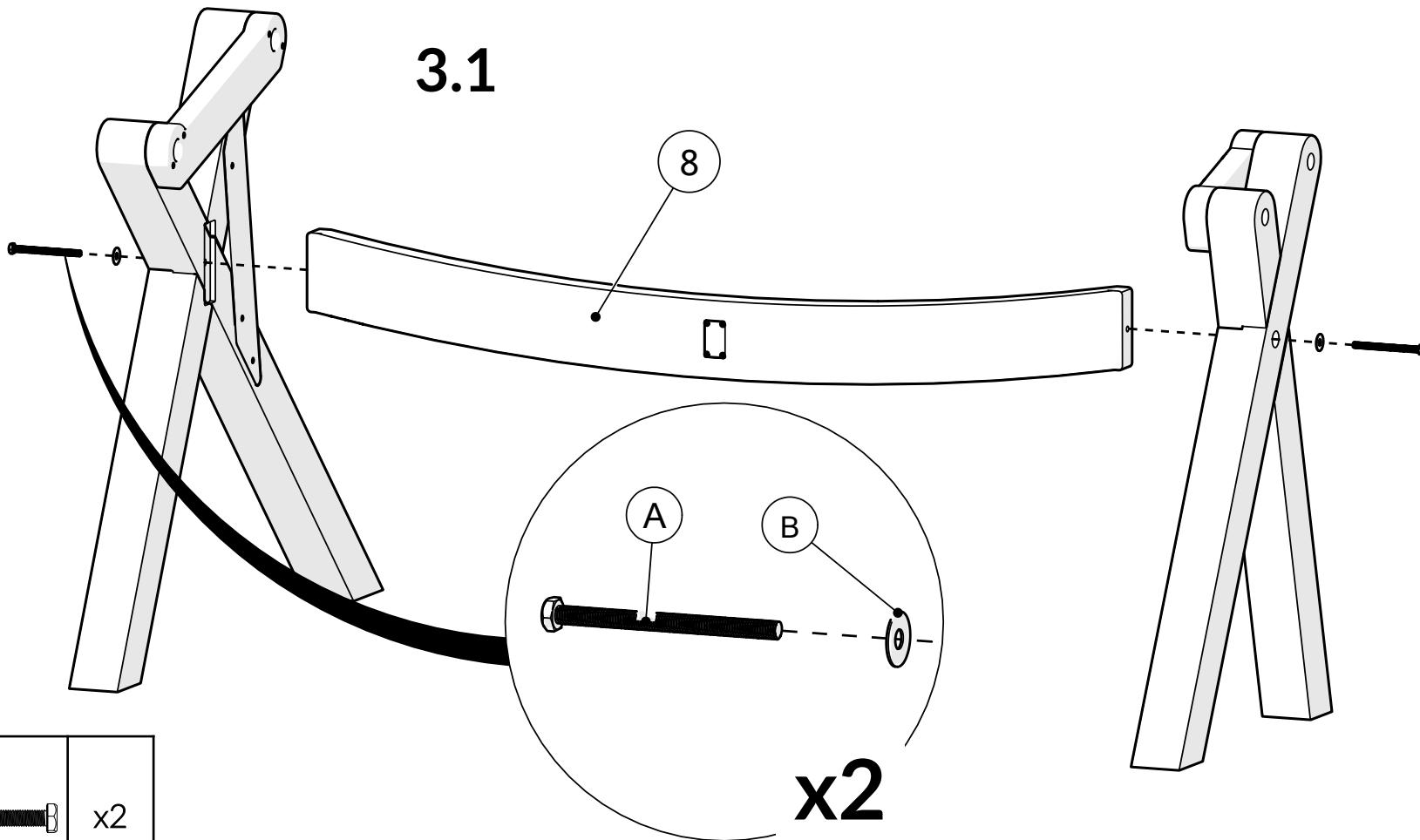
2.2



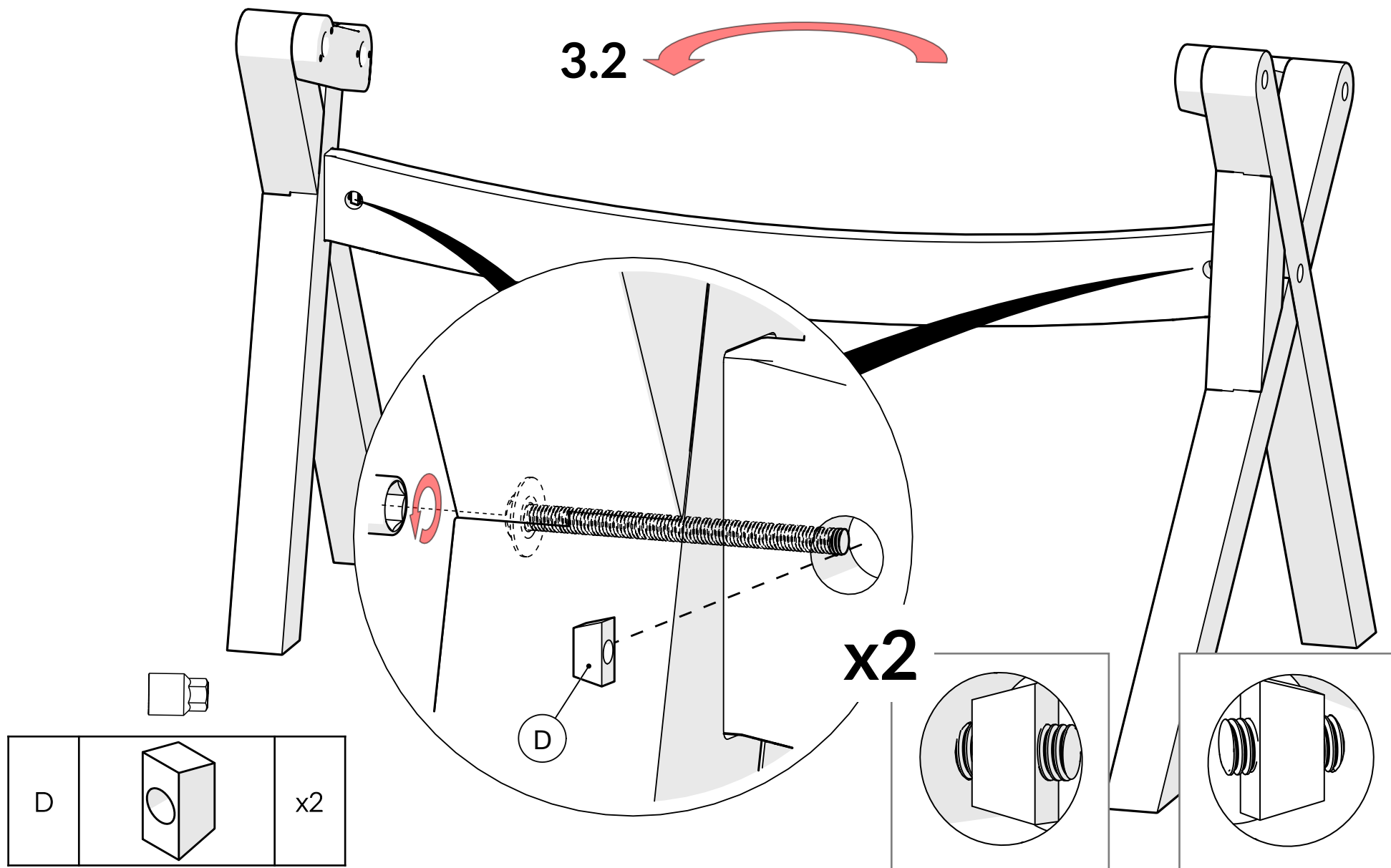
3.



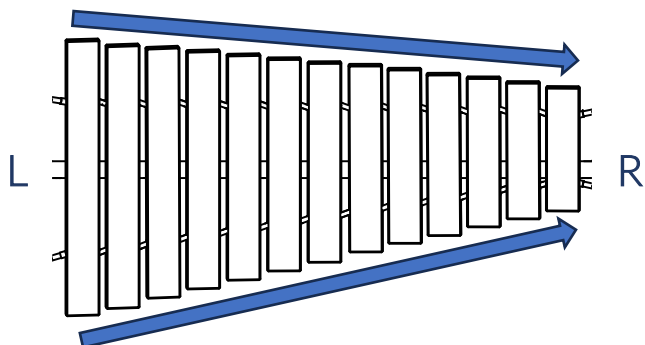
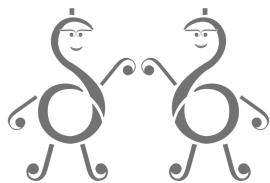
3.1

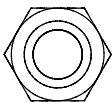
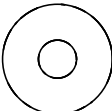


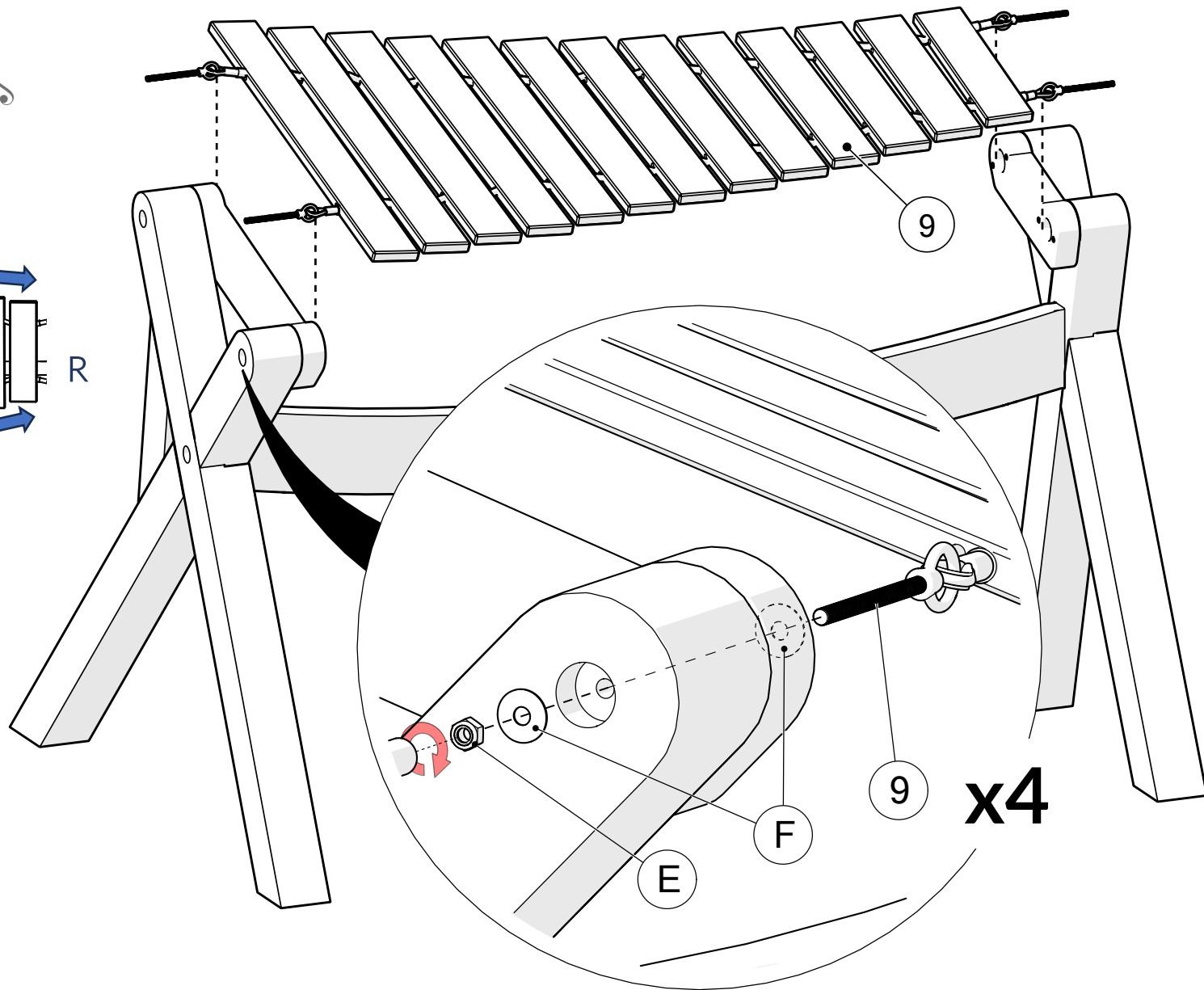
A		x2
B		x2



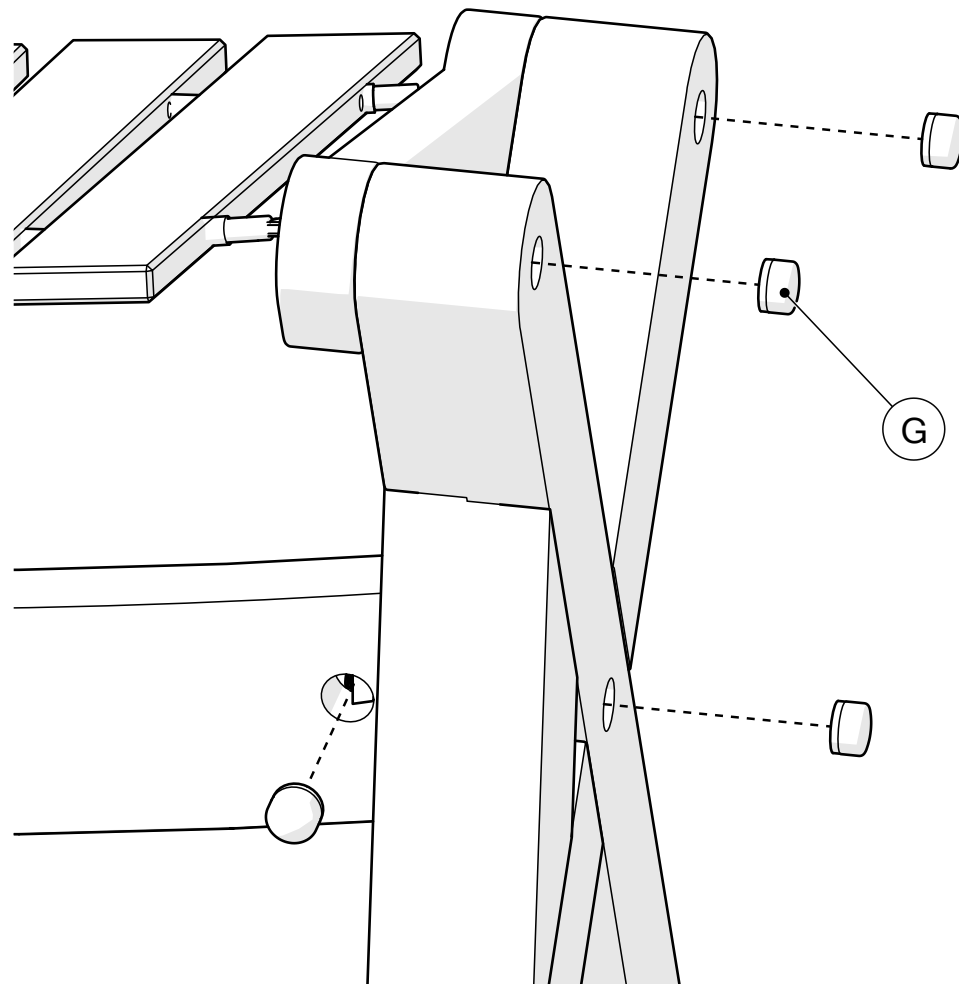
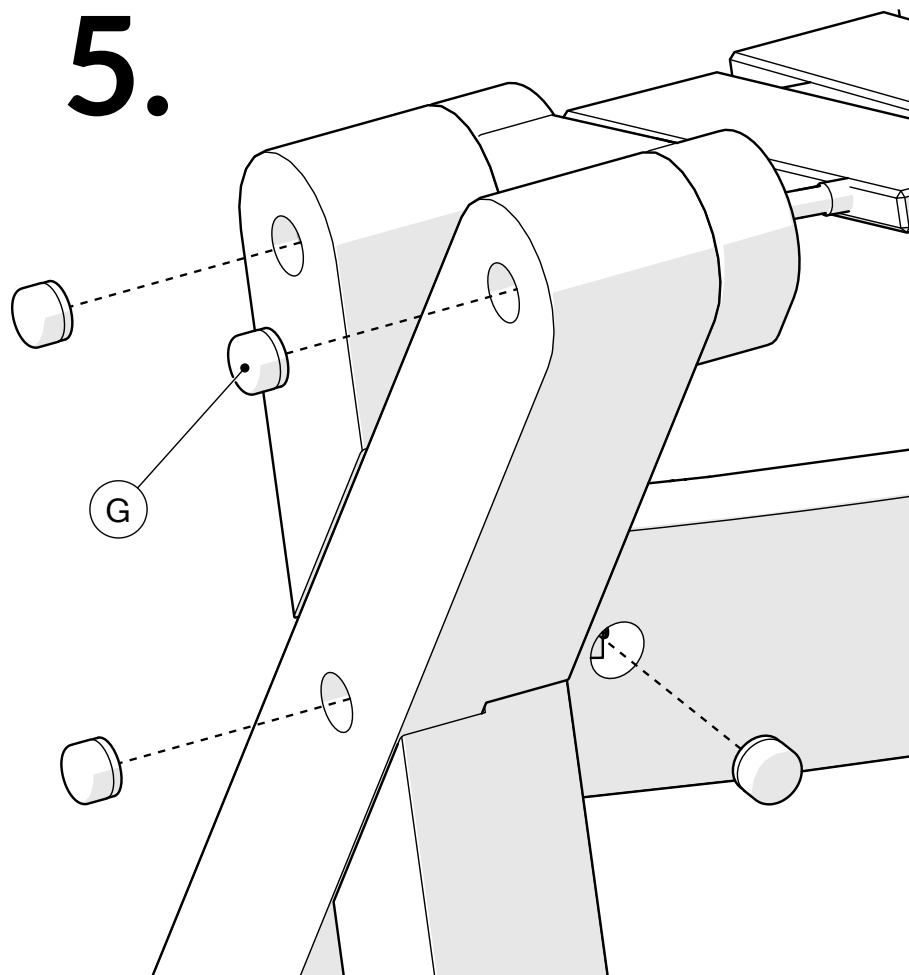
4.

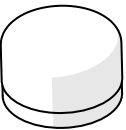


E		x4
F		x8



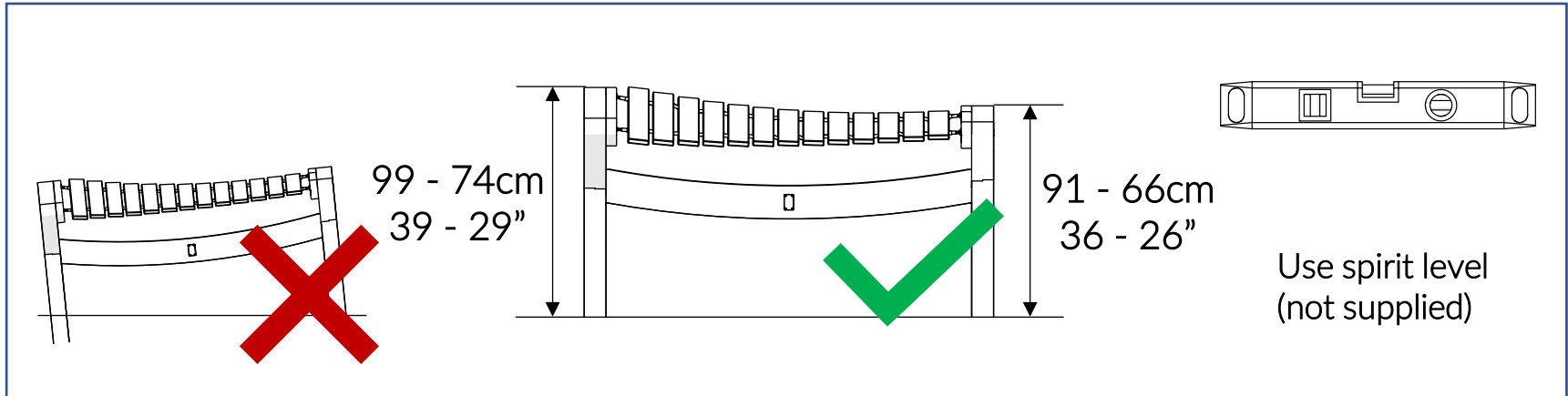
5.



G		x8
---	---	----

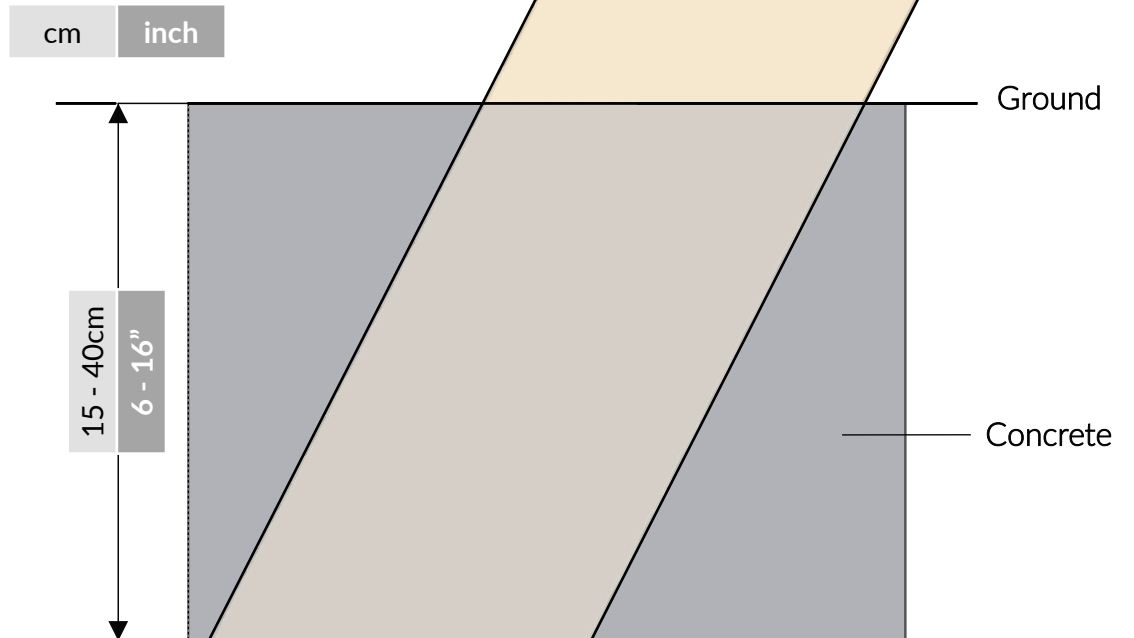
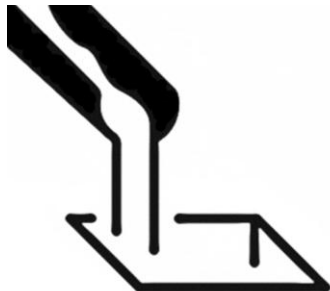
6.

x4

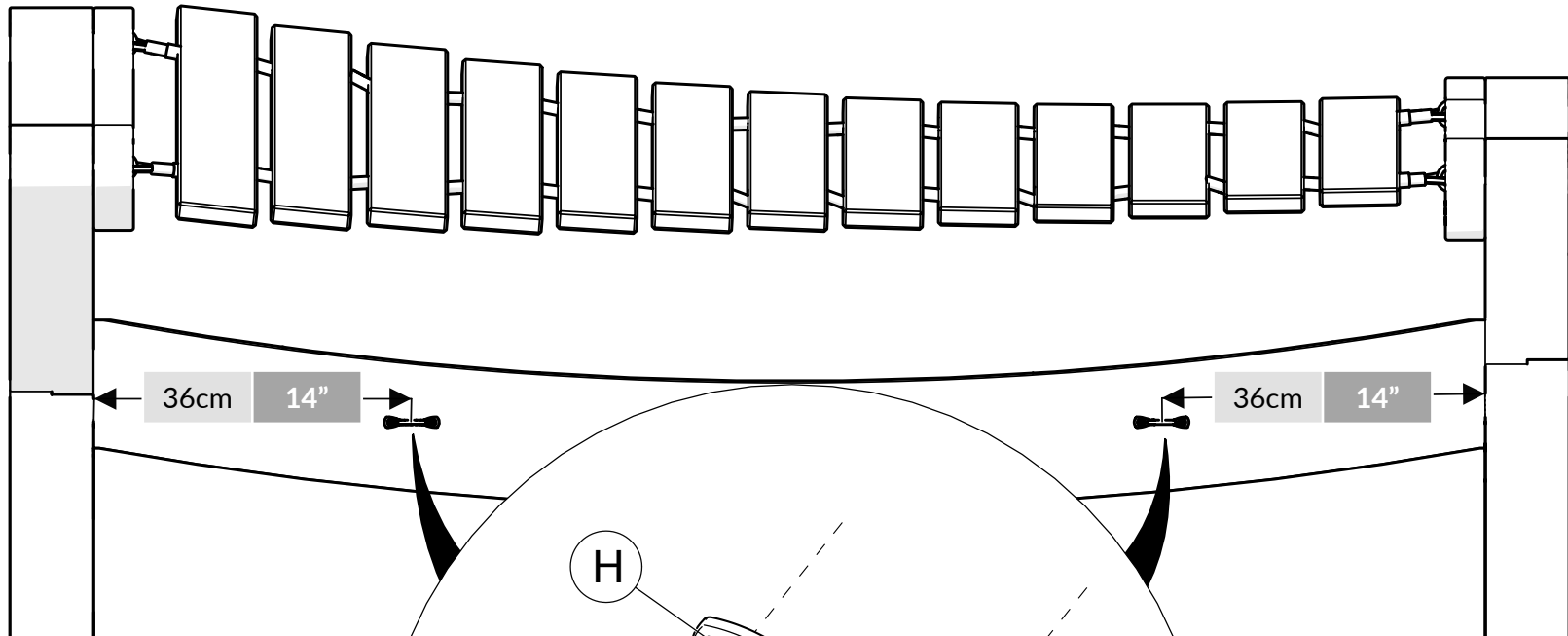


Foundations should not present a hazard

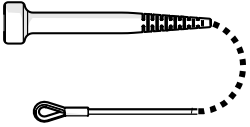
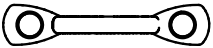

Refer to your local Health & Safety standards

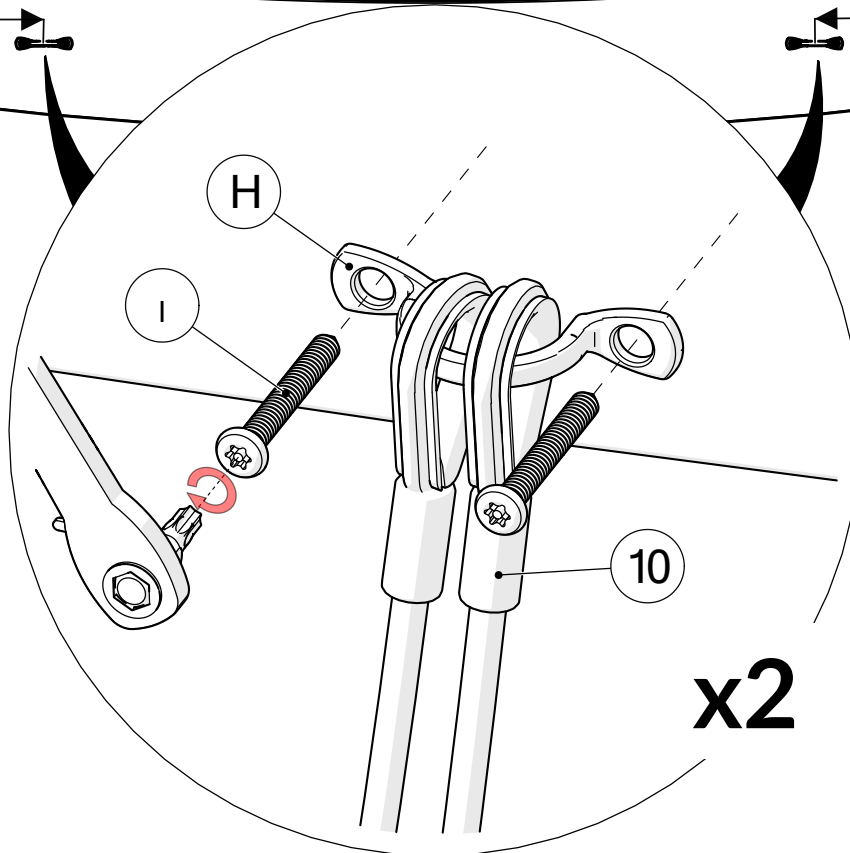


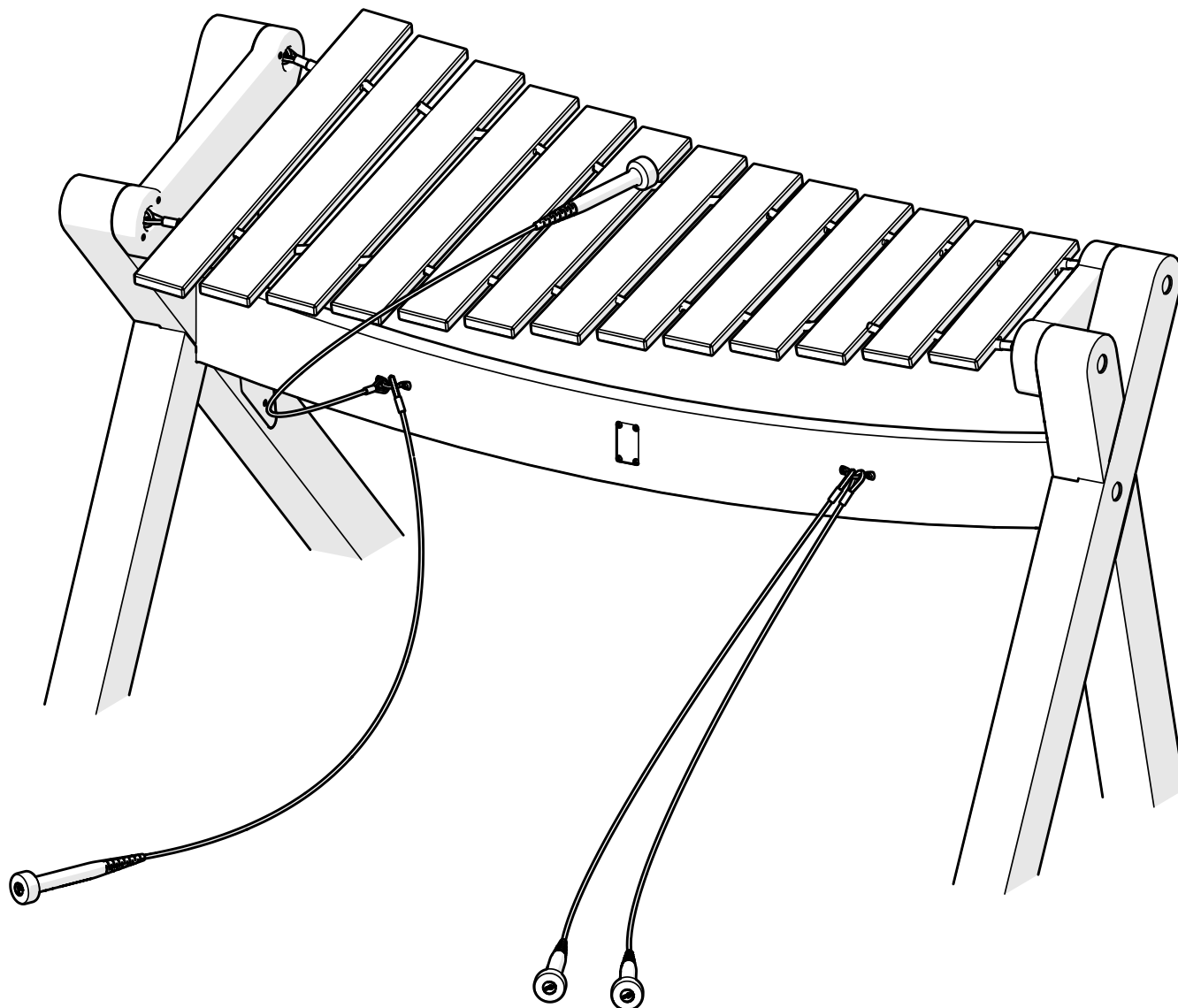
7.



TX25

10		x4
H		x2
I		x4





percussionplay.com



info@percussionplay.com



UK
[01730 235 180](tel:01730235180)

USA & CAN
[+1 \(866\) 882 9170](tel:+18668829170)

EUR & ROW
[+44 1730 235 180](tel:+441730235180)