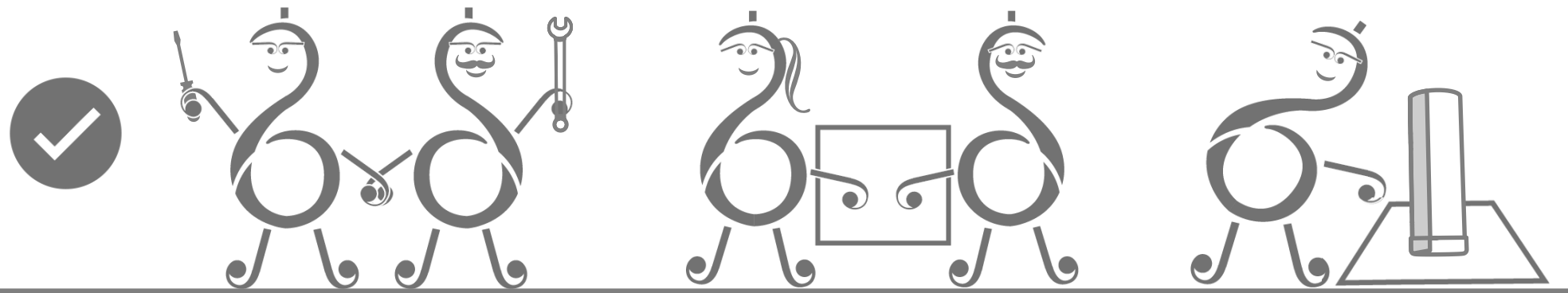
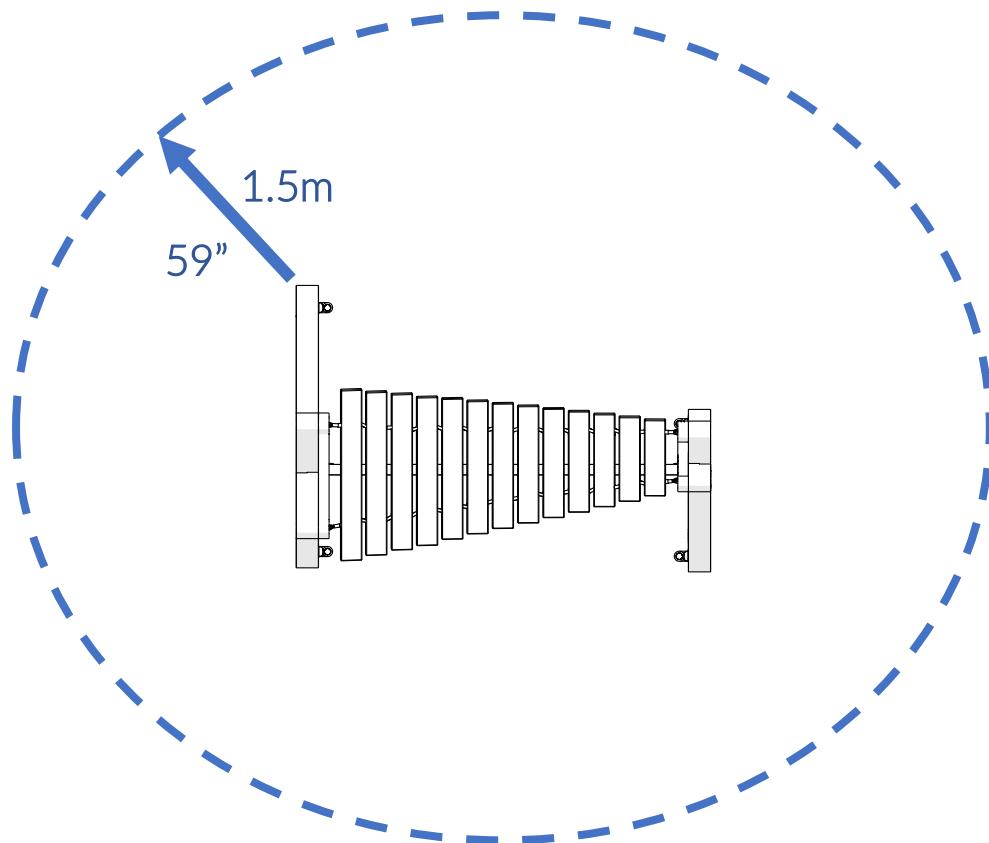


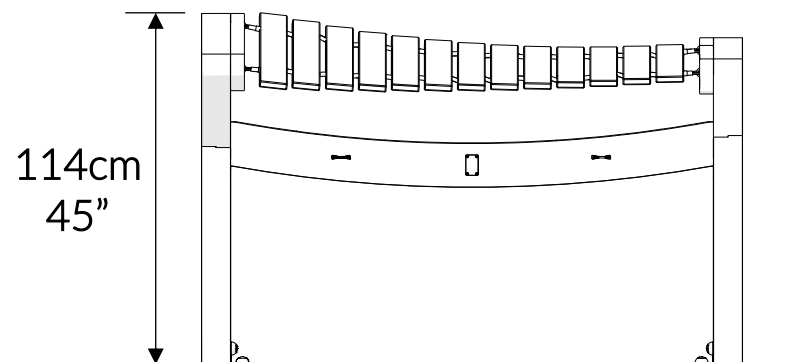
Part Reference	Description
PP-AKAD-SF	Akadinda - (Surface Fix)



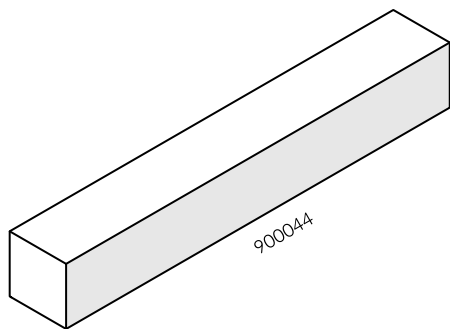




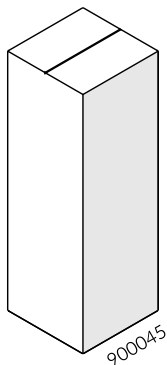
Check Risk Assessment



## Packages



x1

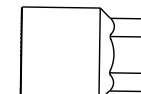
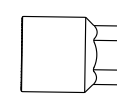


x1

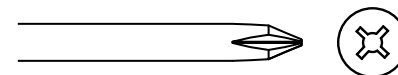
		L	W	H	Weight	Net
x1	900044	170cm / 67"	25cm / 10"	25cm / 10"	25kg / 55lbs	
x1	900045	80cm / 31.5"	27cm / 10.5"	27cm / 10.5"	15kg / 33lbs	

## Tools required (not supplied)

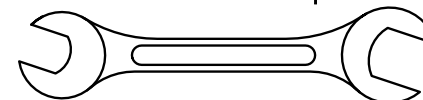
¼" Bit Driver Ratchet    ½" + 21/32" Socket spanner



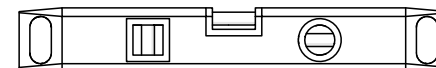
Crosshead Screwdriver



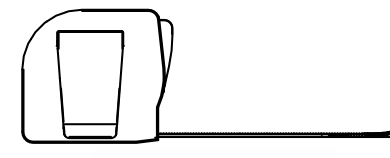
11/16" / 17mm Spanner



Spirit level



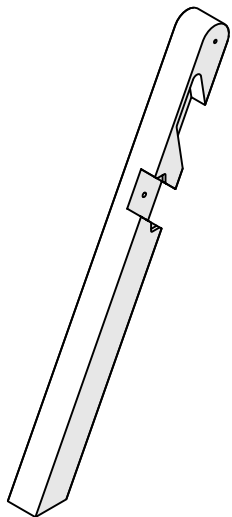
Tape Measure



900044

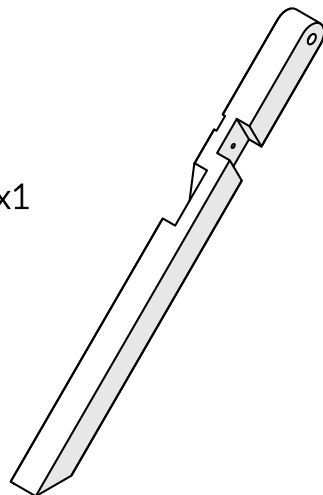
① x1

L27  
604665



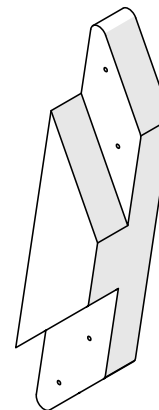
② x1

L45  
604666



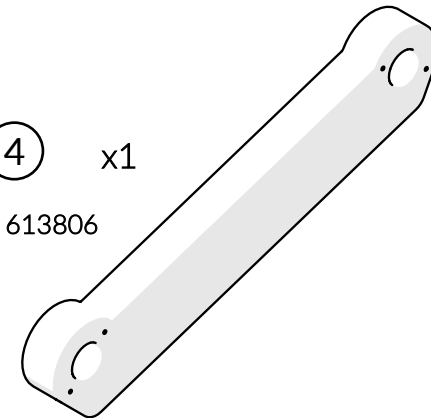
③ x1

604667



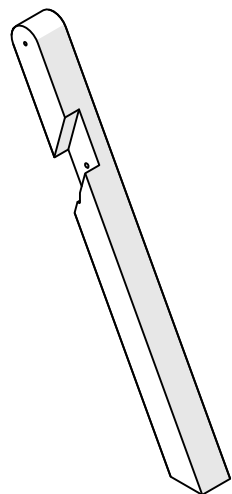
④ x1

613806



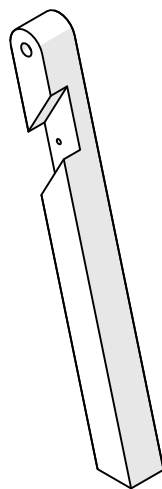
⑤ x1

R28  
604668



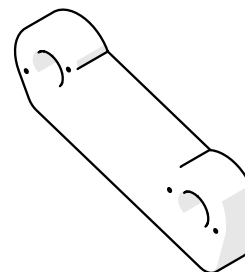
⑥ x1

R15  
604669



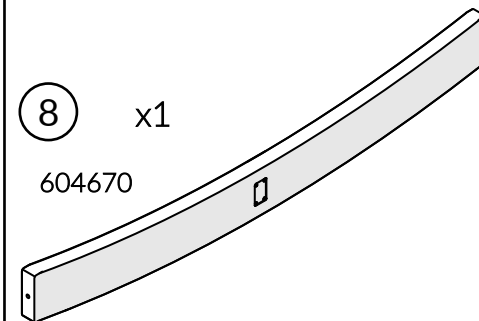
⑦ x1

613807



⑧ x1

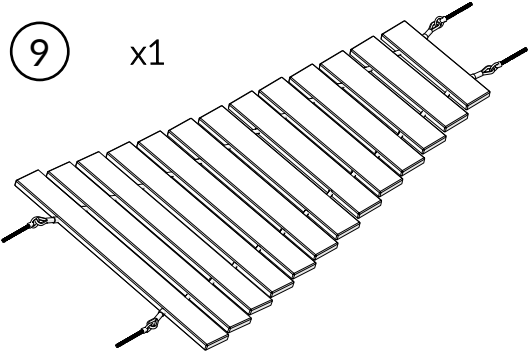
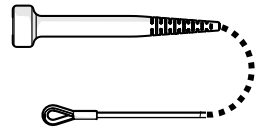
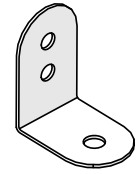

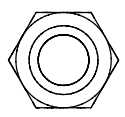

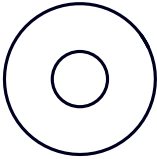
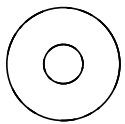
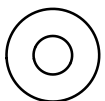

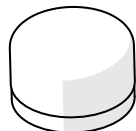
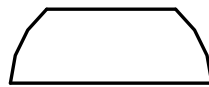
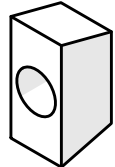
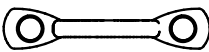


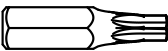
604670



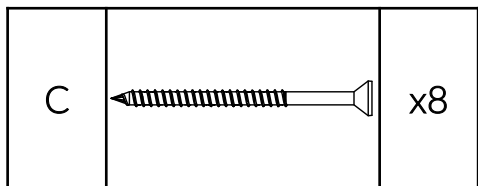
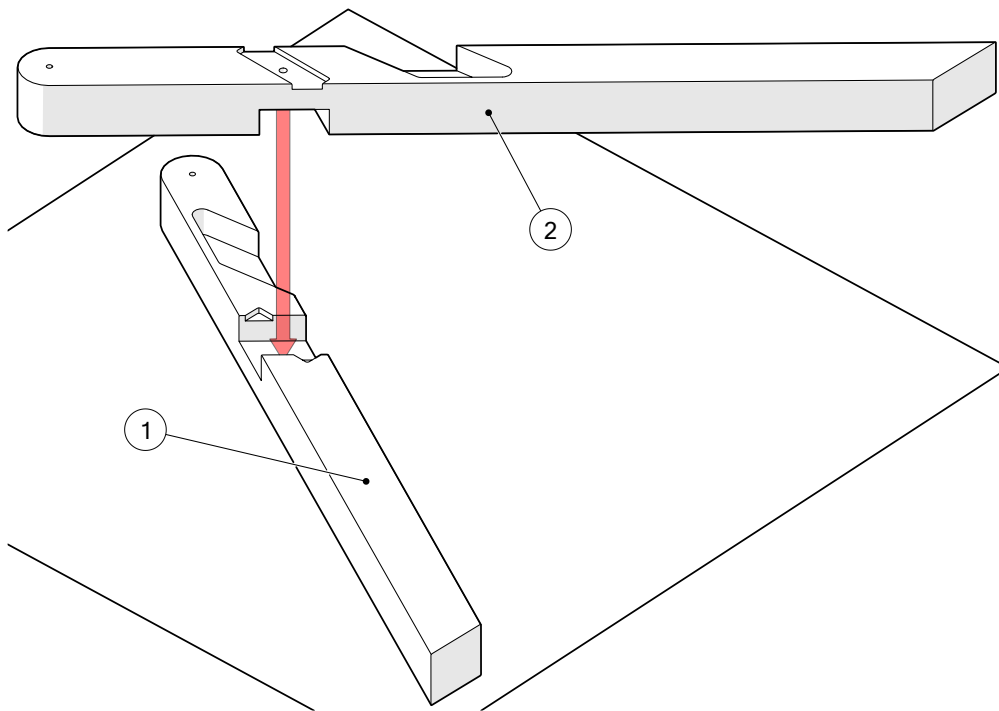
900045

900046

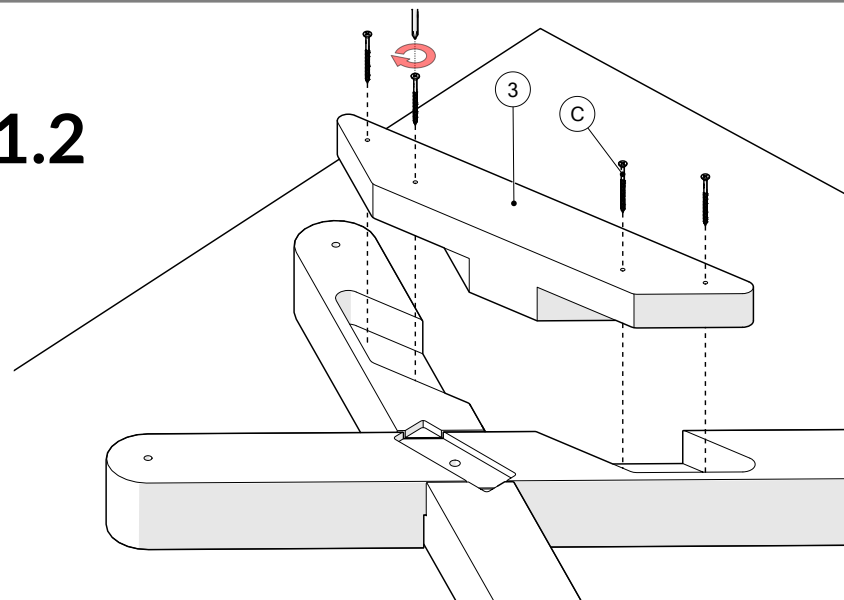
Not to scale

<p>9 x1</p> 	<p>10 x4 900832</p> 	<p>H x4 600428</p> 
<p>A x2 500458</p> 	<p>E x4 500676</p> 	<p>I x4 500726</p> 
<p>B x2 500444</p> 	<p>F x8 500471</p> 	<p>J x8 500673</p> 
<p>C x12 500711</p> 	<p>G x8 600721</p> 	<p>K x8 601543</p> 
<p>D x2 500441</p> 	<p>M x2 603150</p> 	<p>L x8 601542</p> 
<p>N x4 500448</p> 	<p>TX25 x1 500472</p> 	

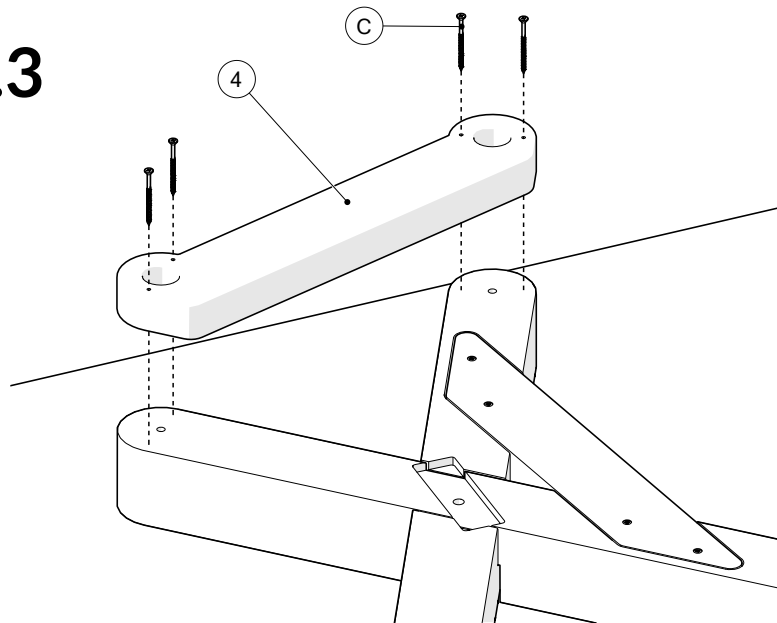
# 1. 1.1



# 1.2

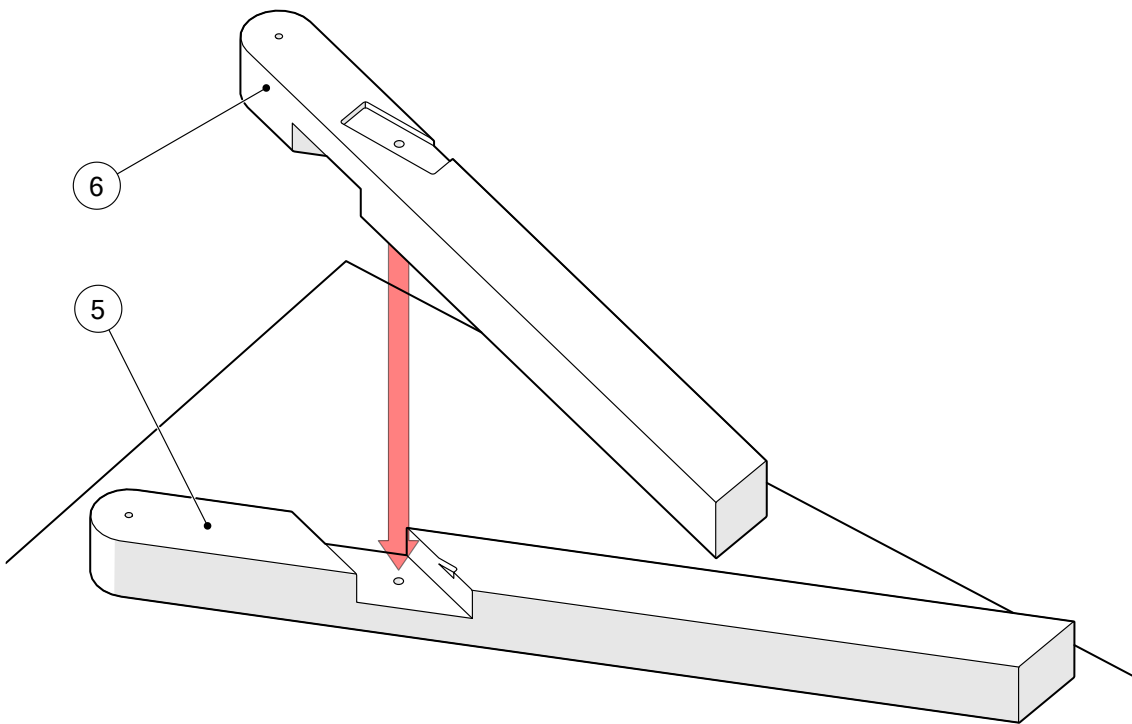


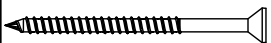
# 1.3



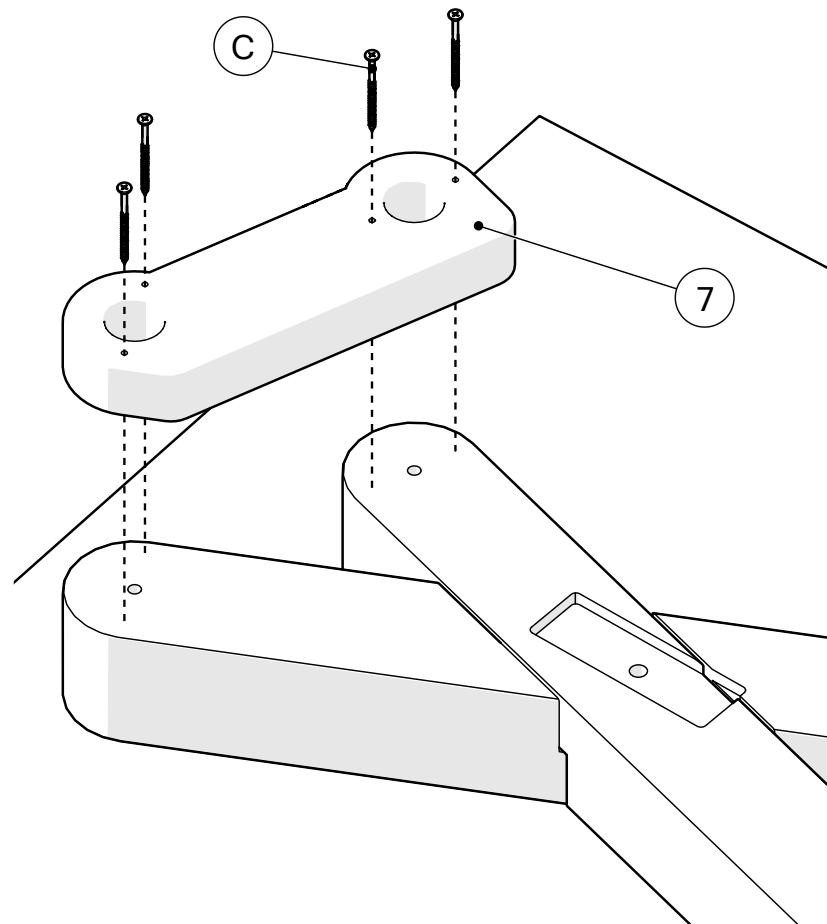
# 2.

## 2.1

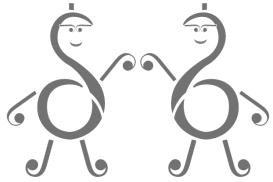


C		x4
---	---	----

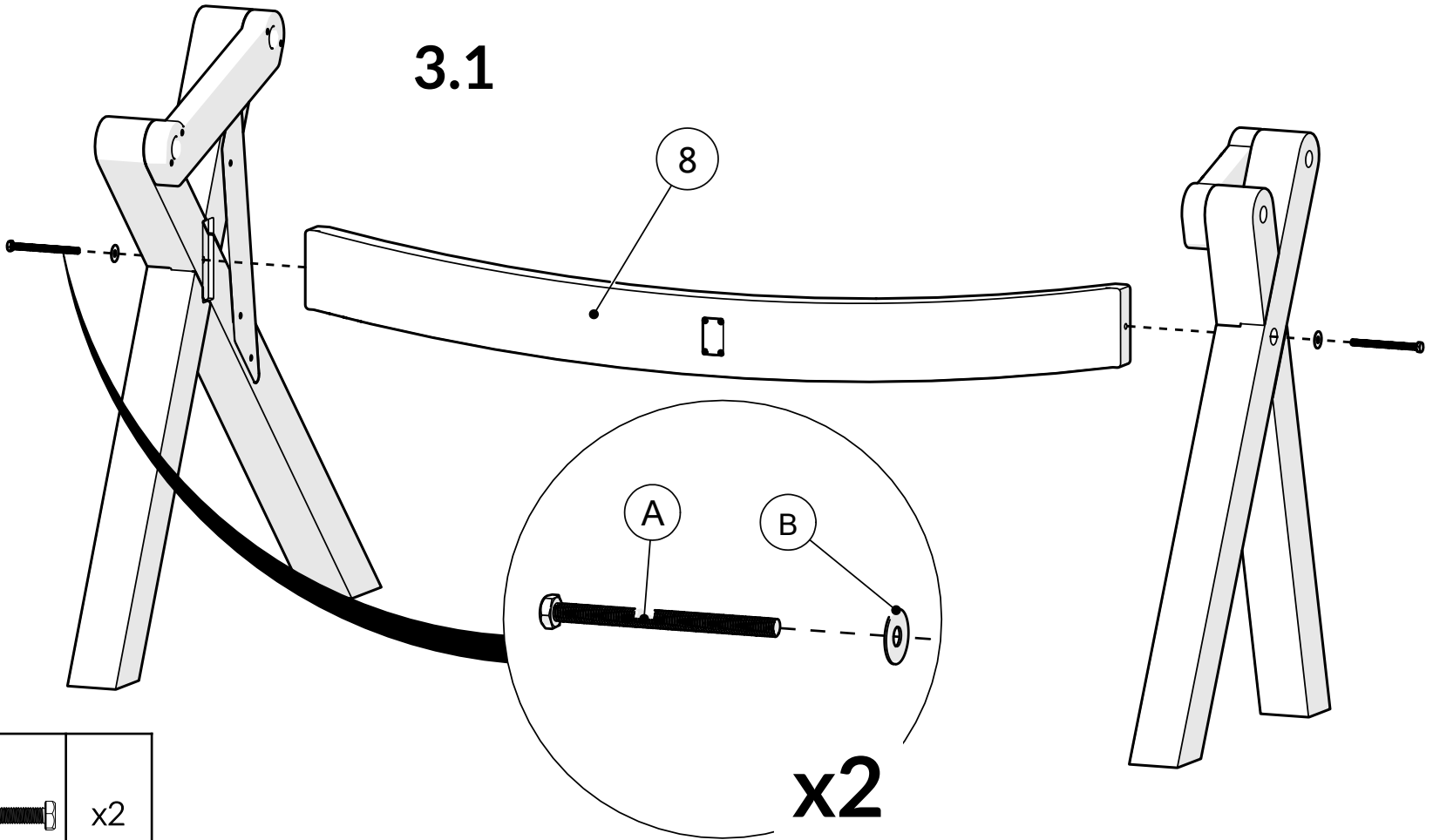
## 2.2


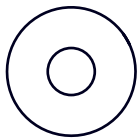


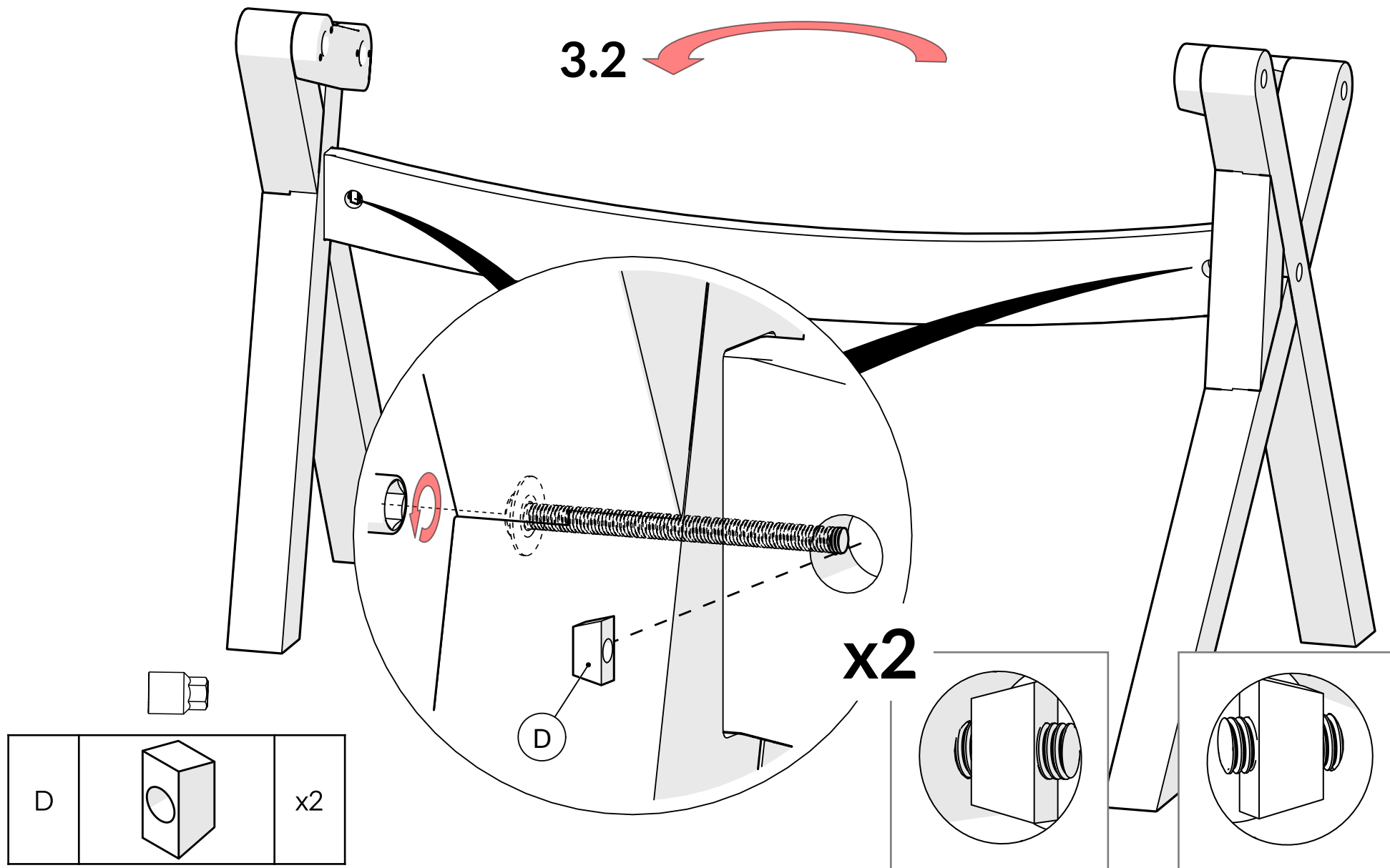
# 3.



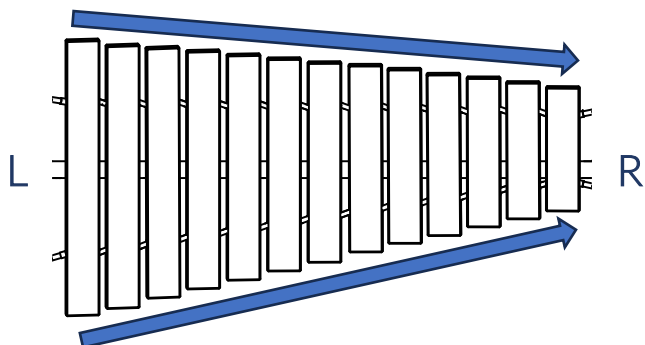
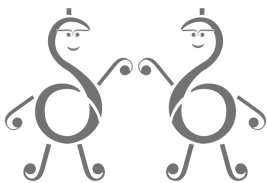
## 3.1

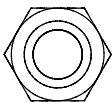
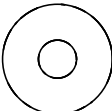


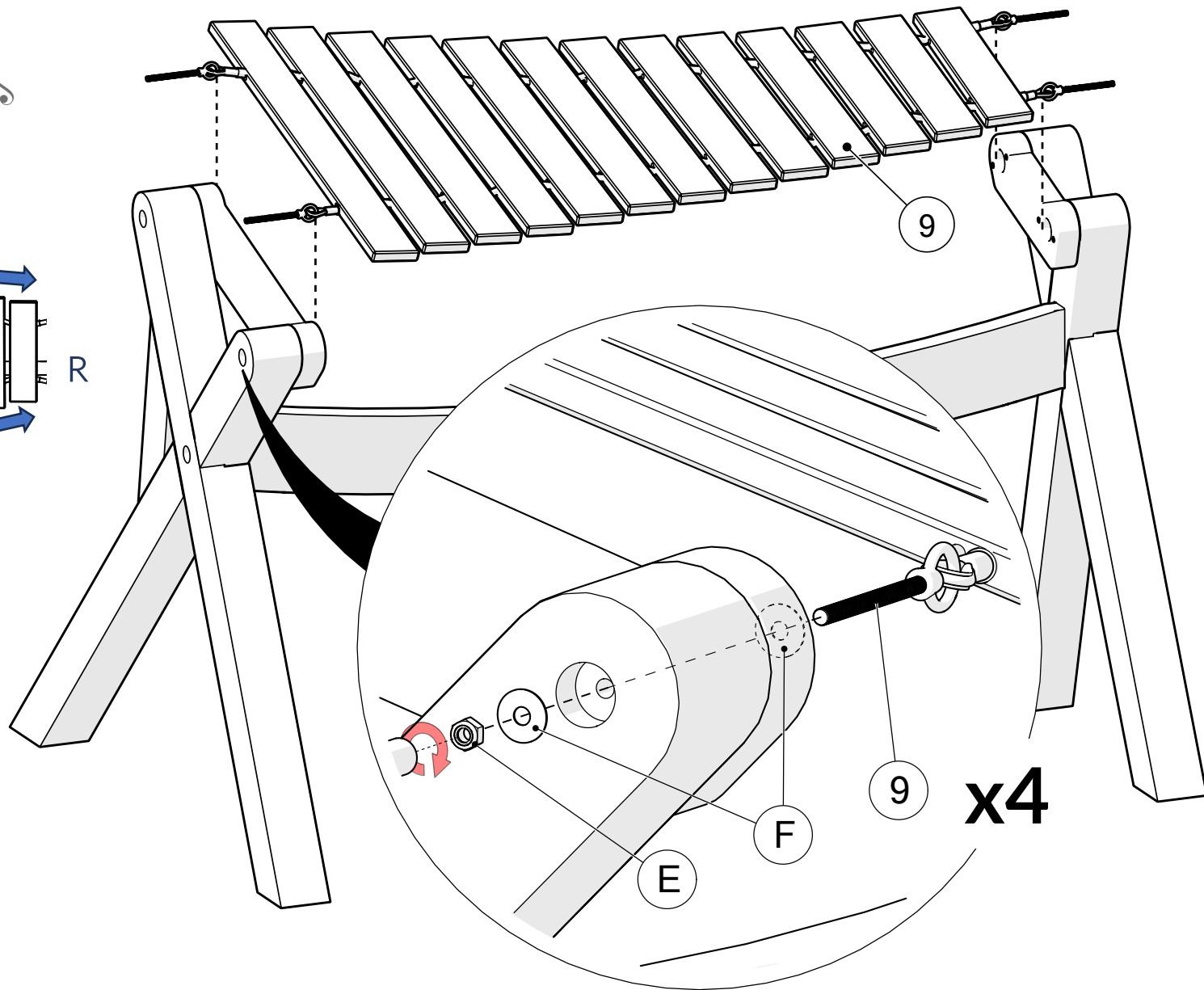
A		x2
B		x2



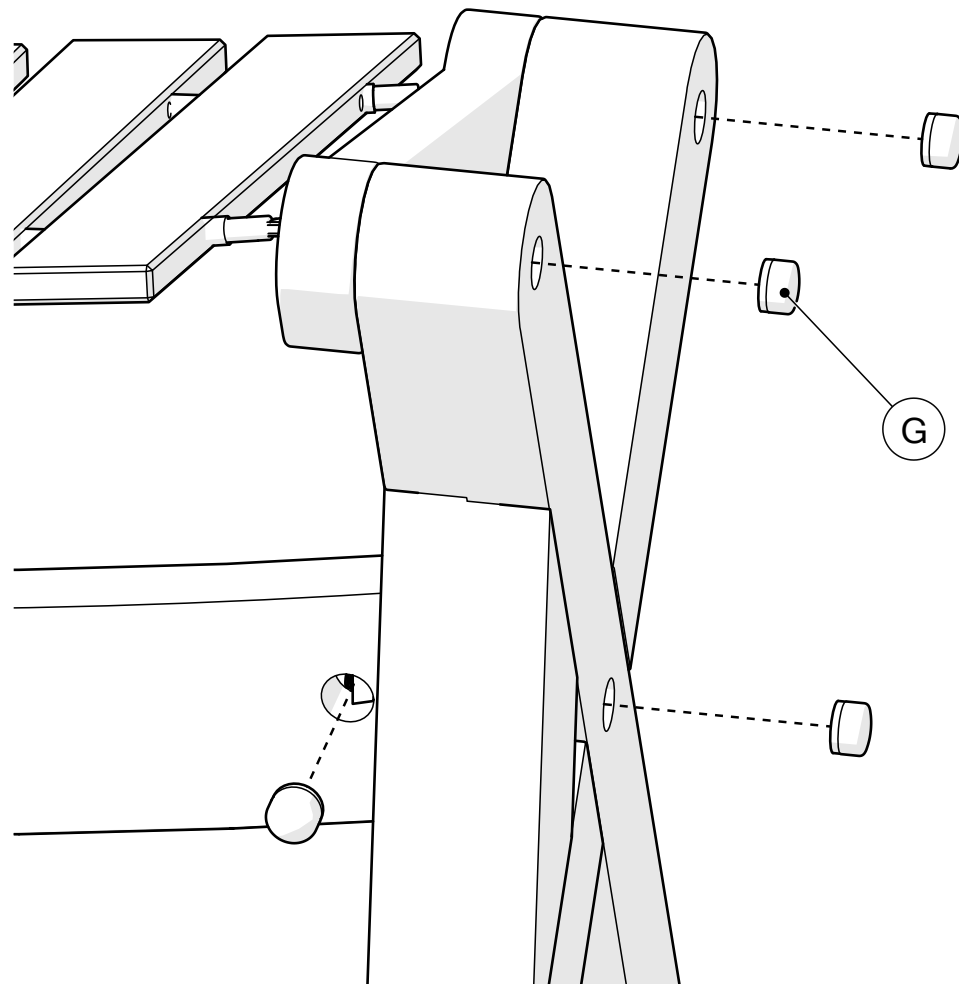
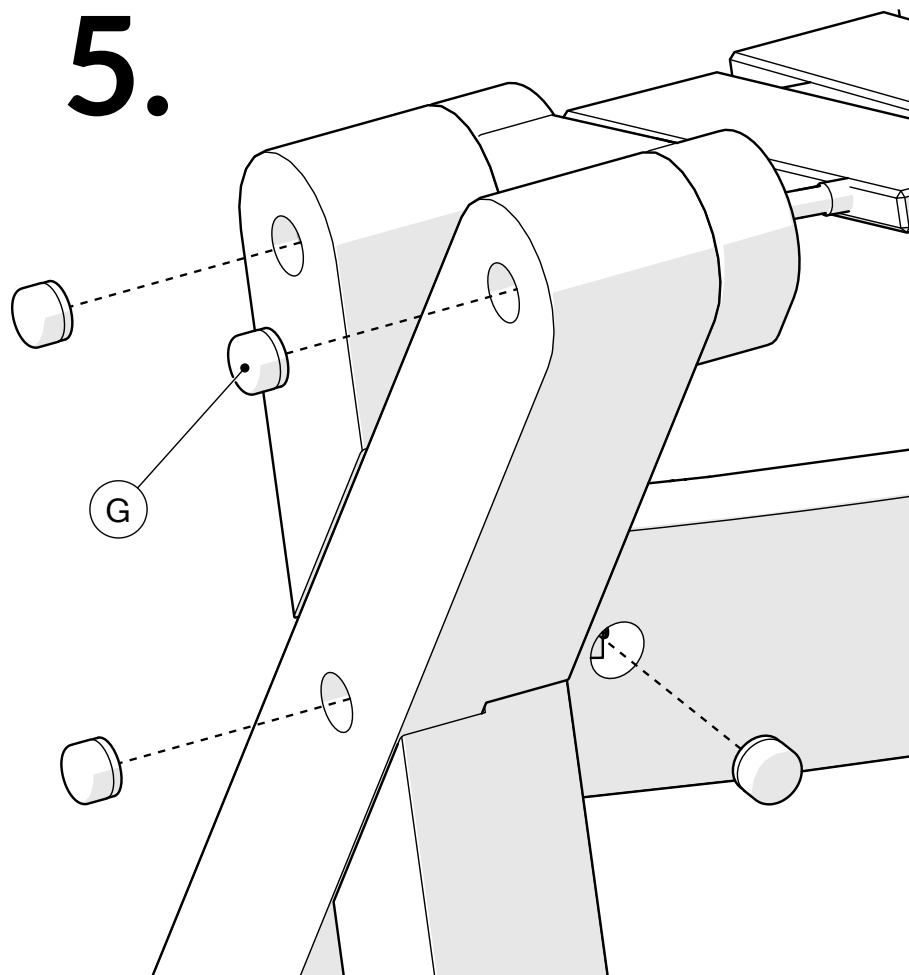
4.

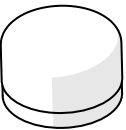


E		x4
F		x8



5.

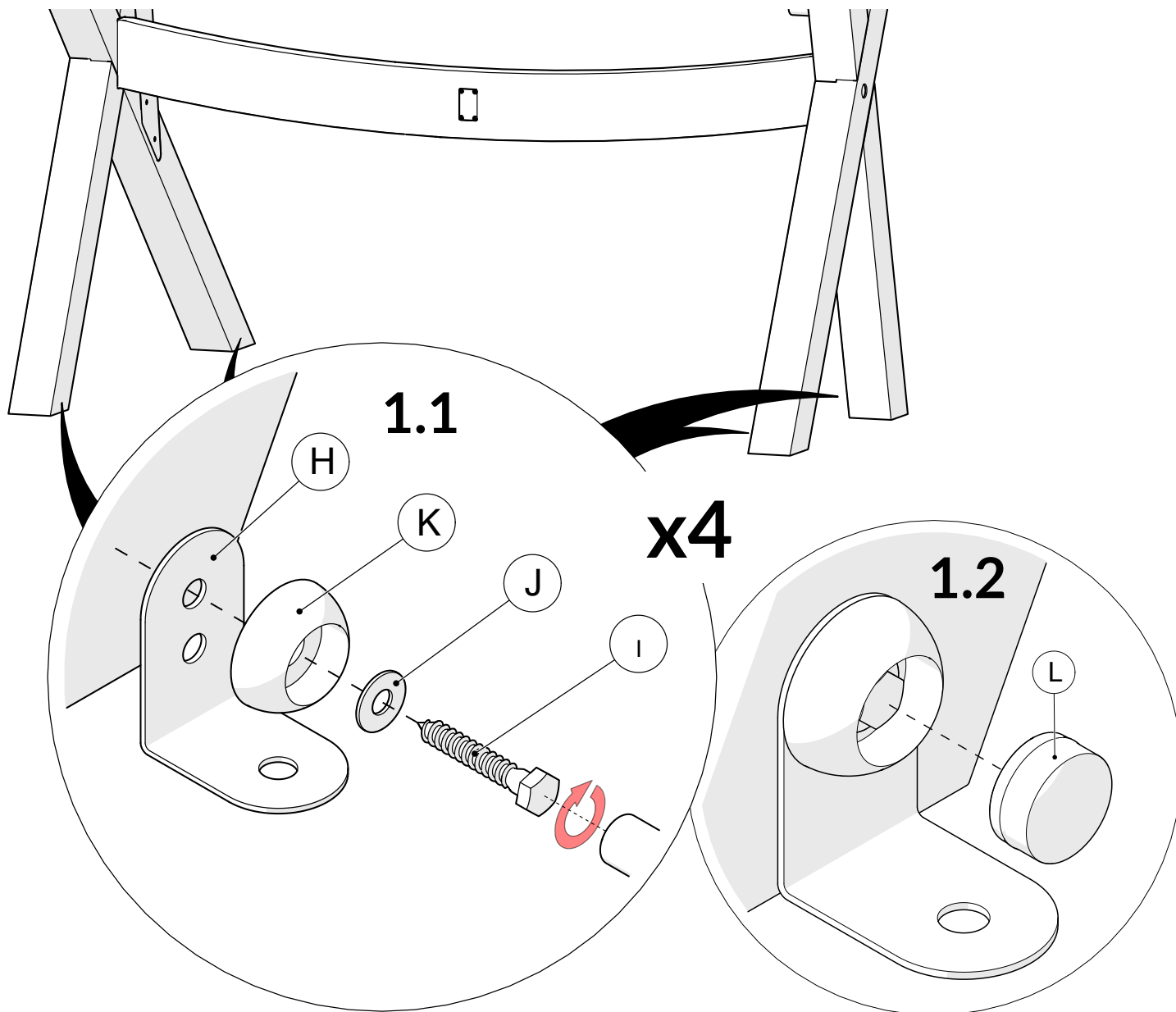


G		x8
---	---	----

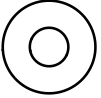


# 6.



H		x4
I		x4
J		x4
K		x4
L		x4


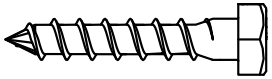

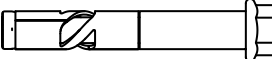

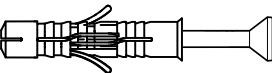


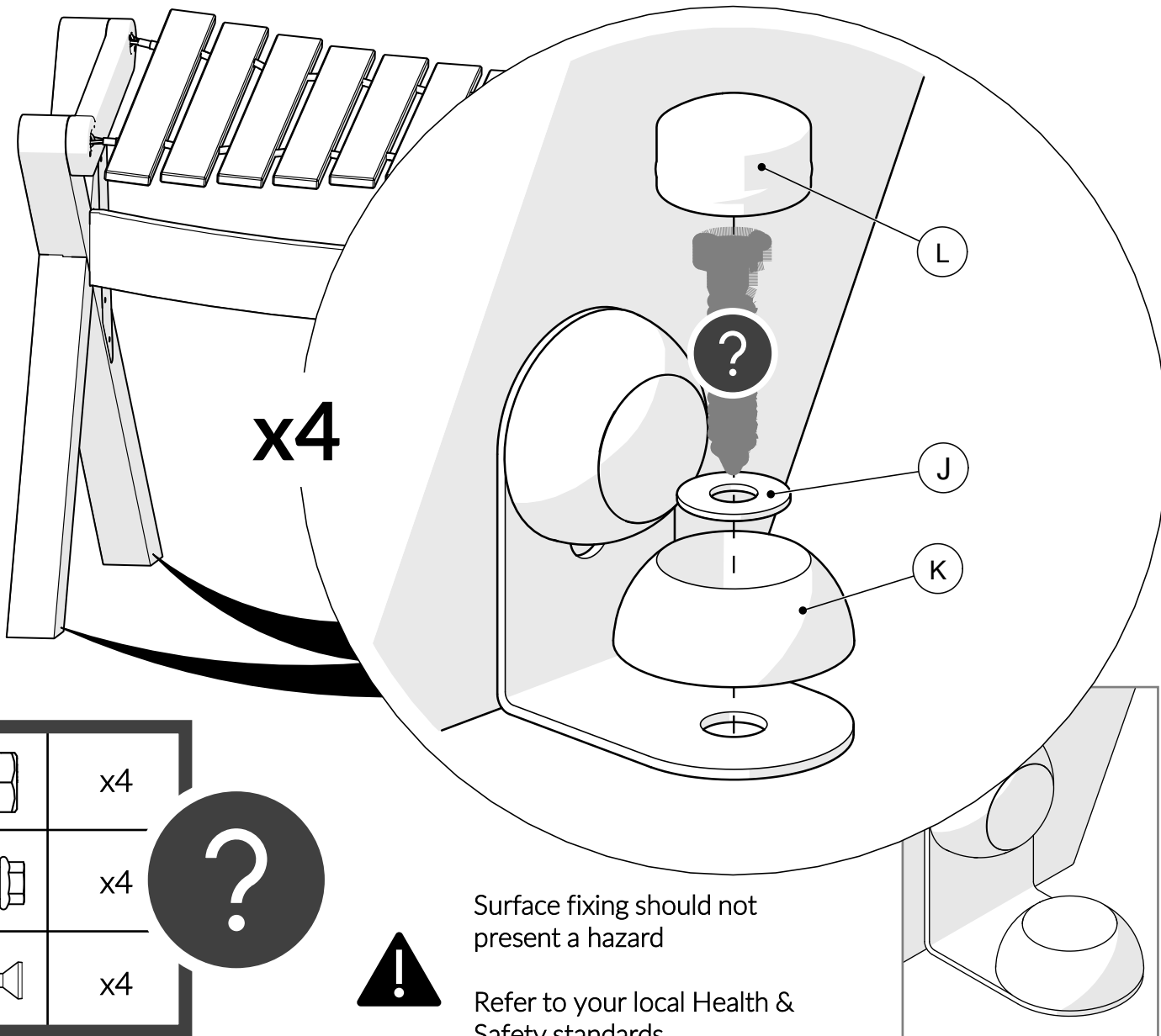
# 7.

J		x4
K		x4
L		x4

Surface

Example fixing

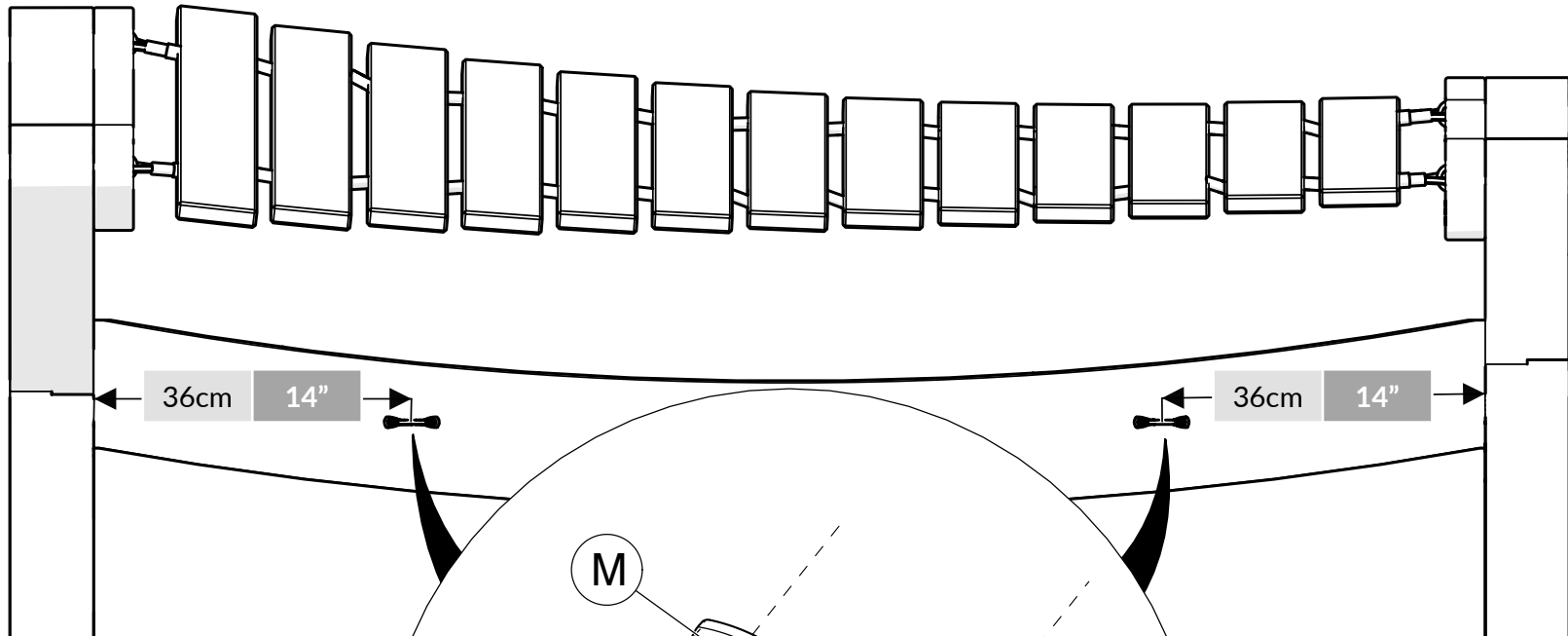
	Wood		x4
	Concrete		x4
	Brick		x4

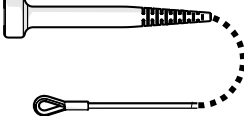
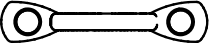



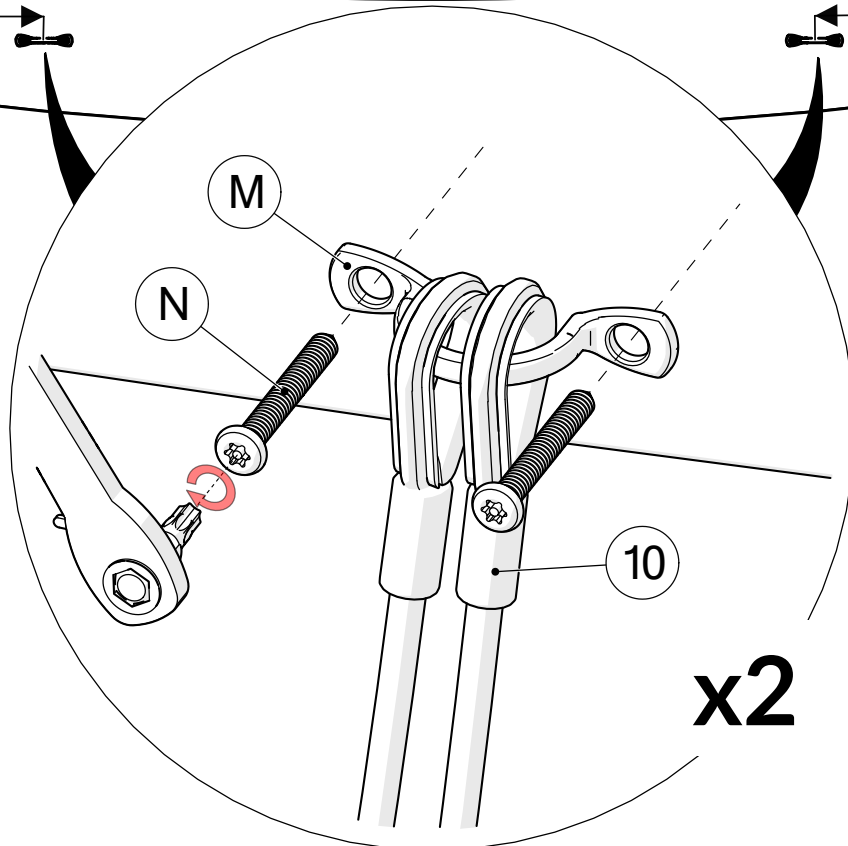
Surface fixing should not present a hazard

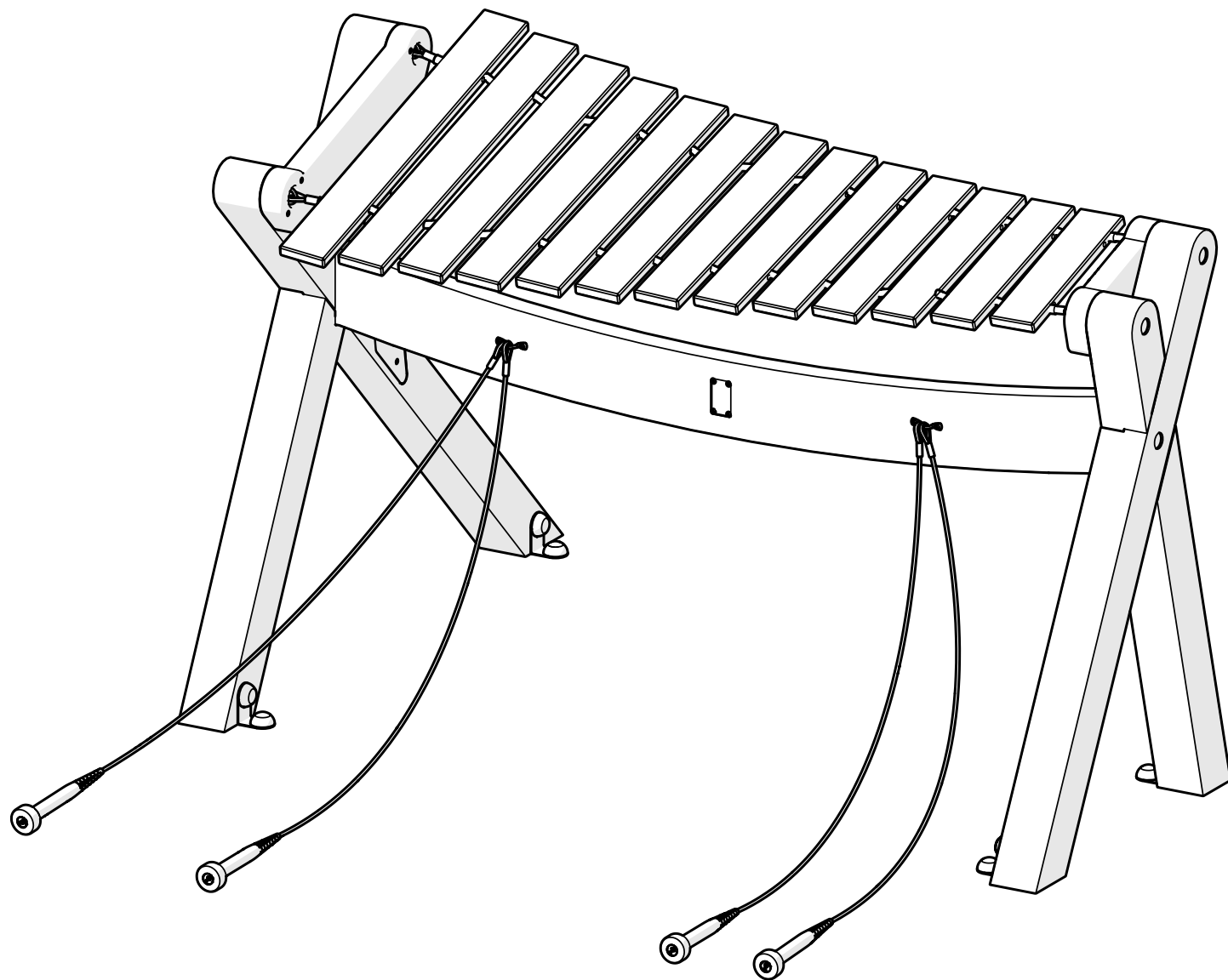
Refer to your local Health & Safety standards

8.



10		x4
M		x2
N		x4





[percussionplay.com](http://percussionplay.com)



[info@percussionplay.com](mailto:info@percussionplay.com)



UK  
[01730 235 180](tel:01730235180)

USA & CAN  
[+1 \(866\) 882 9170](tel:+18668829170)

EUR & ROW  
[+44 1730 235 180](tel:+441730235180)