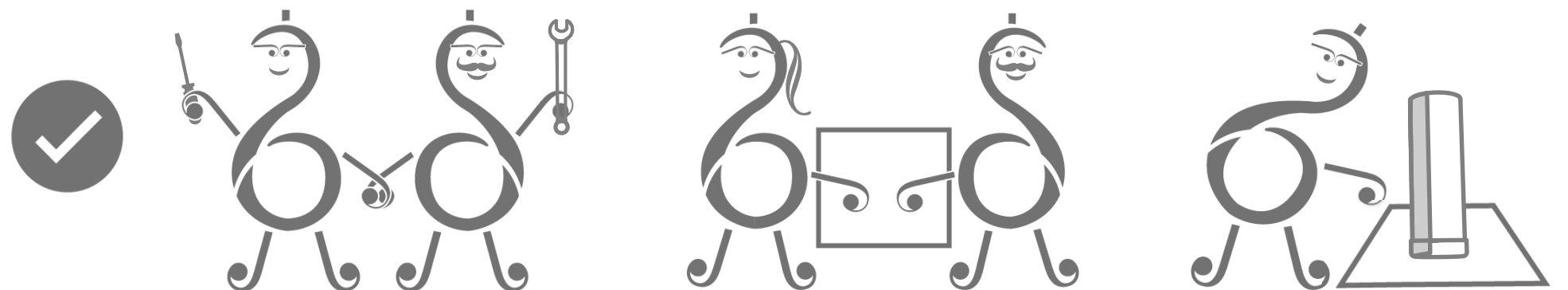
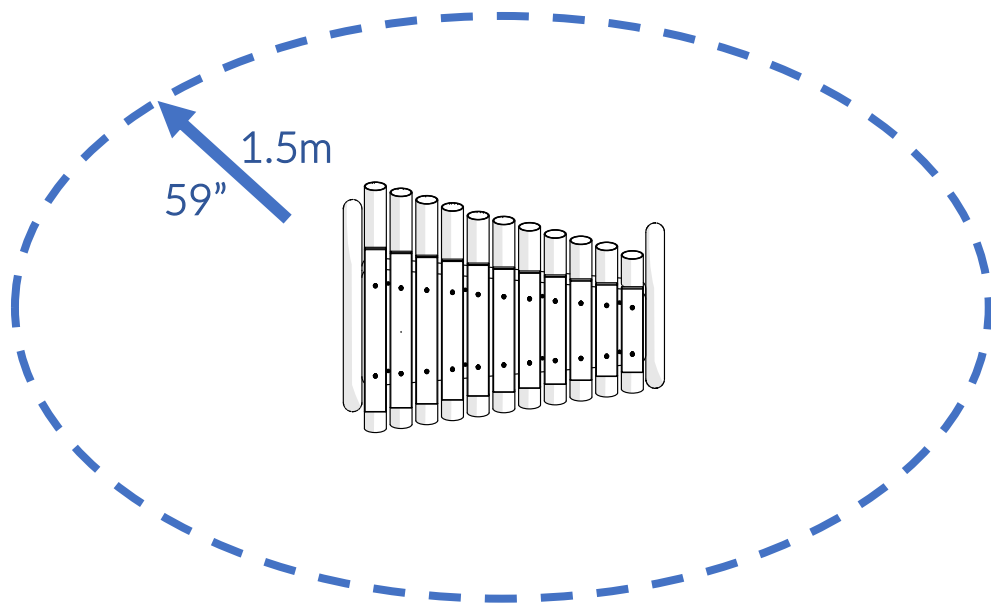


Part Reference	Description
PP-GMAR-SD-GR	Grand Marimba - (Ground Fix)

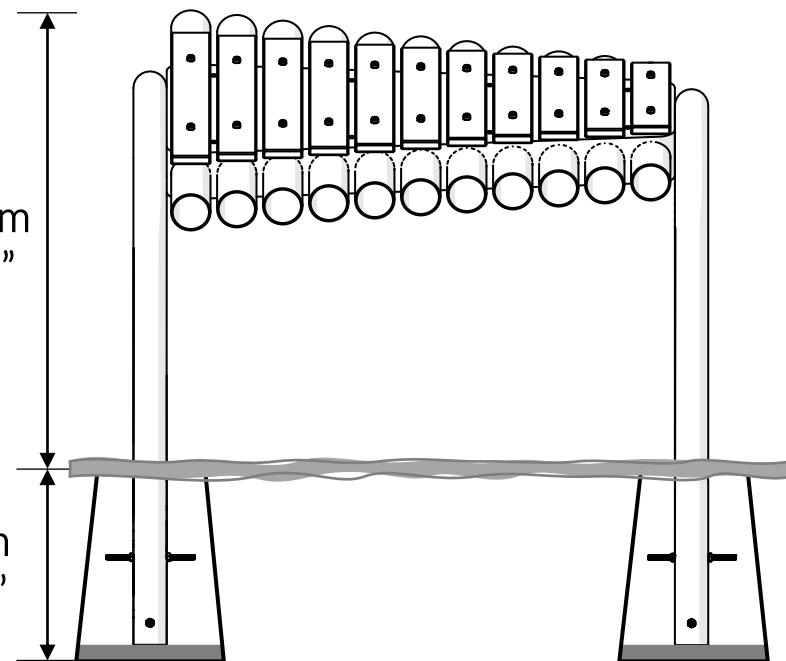






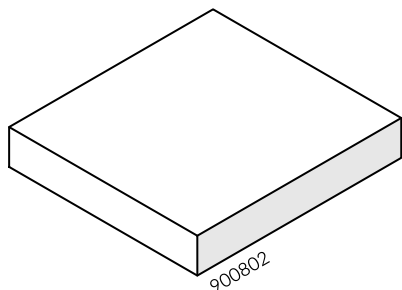
90 - 105cm
35.5 - 41"

60 - 45cm
23.5 - 18"

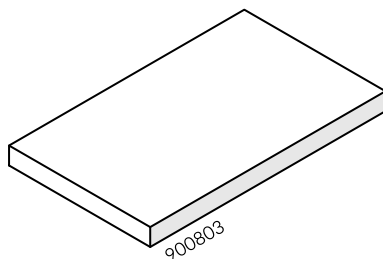


Check Risk Assessment

Packages



x1

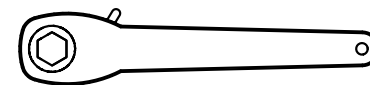


x1

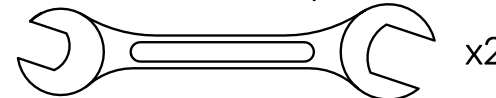
		L	W	H	Weight	Net
x1	900802	130cm / 51"	120cm / 47"	22cm / 8.5"	35kg / 77lbs	
x1	900803	150cm / 59"	90cm / 35.5"	11cm / 4.5"	15kg / 33lbs	

Tools required (not supplied)

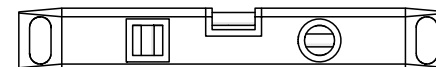
¼" Bit Driver Ratchet



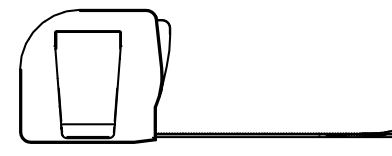
11/16" / 17mm Spanner


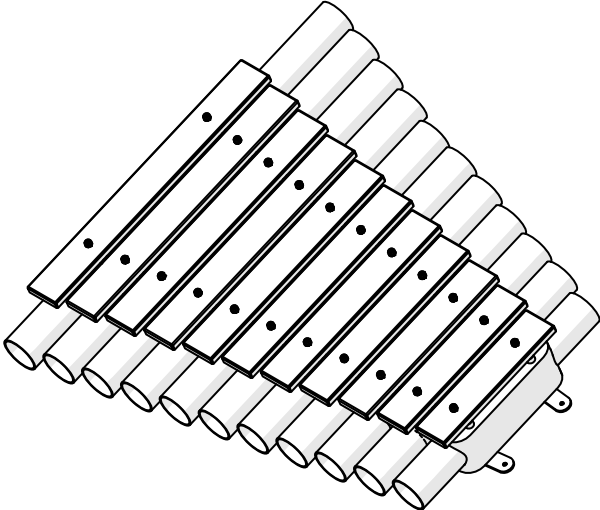

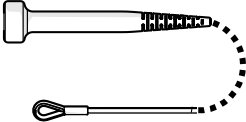
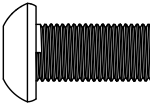
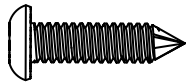
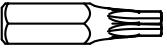
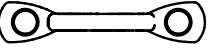

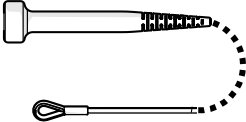
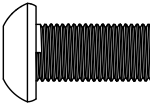
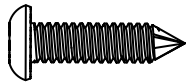
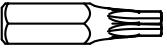
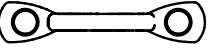

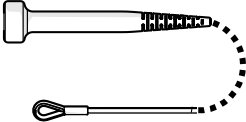
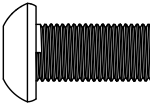
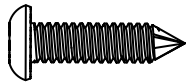
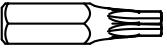
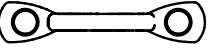



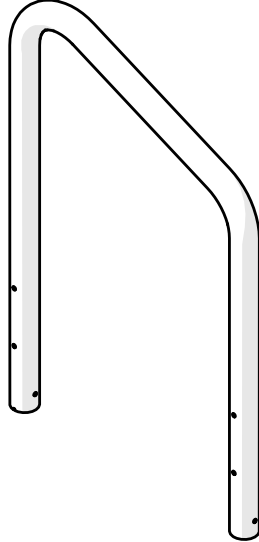
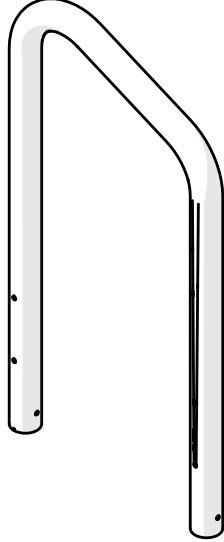
Spirit level



Tape Measure

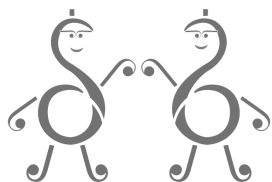


900802							
 (A) x16 500457	(1) x1 						
 (B) x8 500627	<table border="1"> <tr> <td style="text-align: center;"> (4) x4 900832  </td> <td style="text-align: center;"> (E) x4 501203  </td> </tr> <tr> <td style="text-align: center;"> (C) x4 500460  </td> <td style="text-align: center;"> TX25 x1 500472  </td> </tr> <tr> <td style="text-align: center;"> (D) x2 603150  </td> <td style="text-align: center;"> TX45 x1 500720  </td> </tr> </table>	(4) x4 900832 	(E) x4 501203 	(C) x4 500460 	TX25 x1 500472 	(D) x2 603150 	TX45 x1 500720 
(4) x4 900832 	(E) x4 501203 						
(C) x4 500460 	TX25 x1 500472 						
(D) x2 603150 	TX45 x1 500720 						

900803	
(2) x1 L 	
(3) x1 R 	

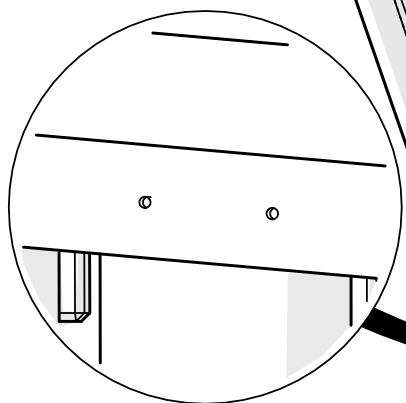
Not to scale

1.



1.1

3



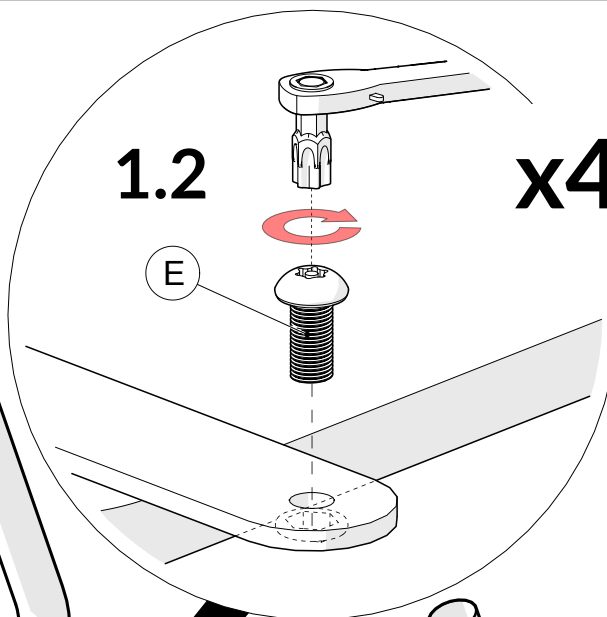
TX45

E		x4
---	--	----

1.2

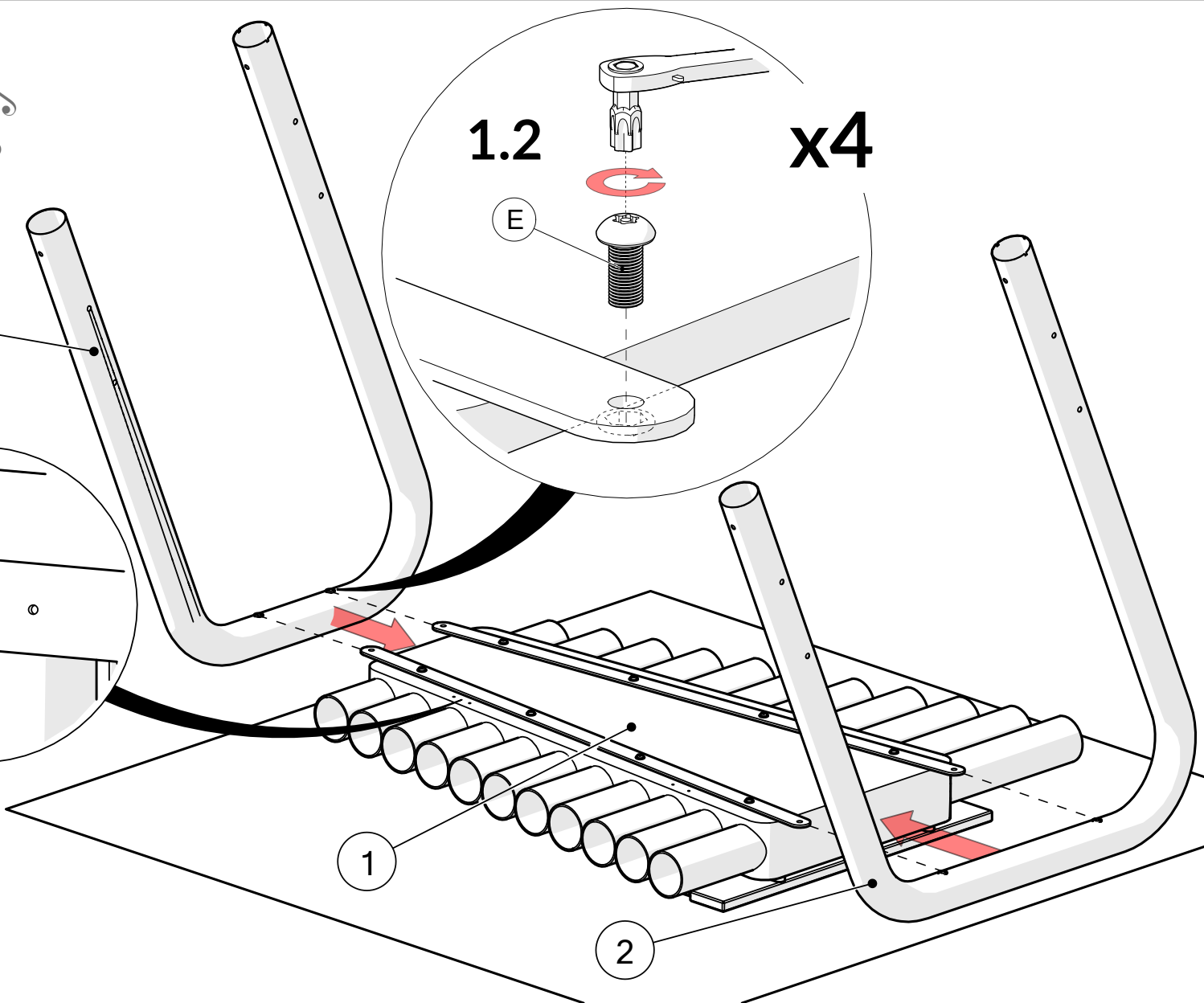
x4

E

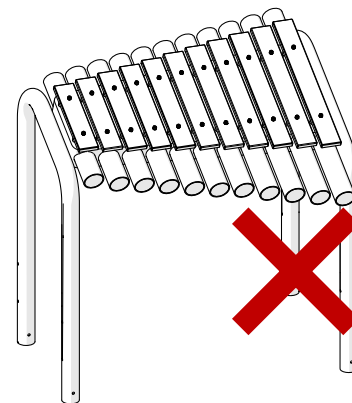
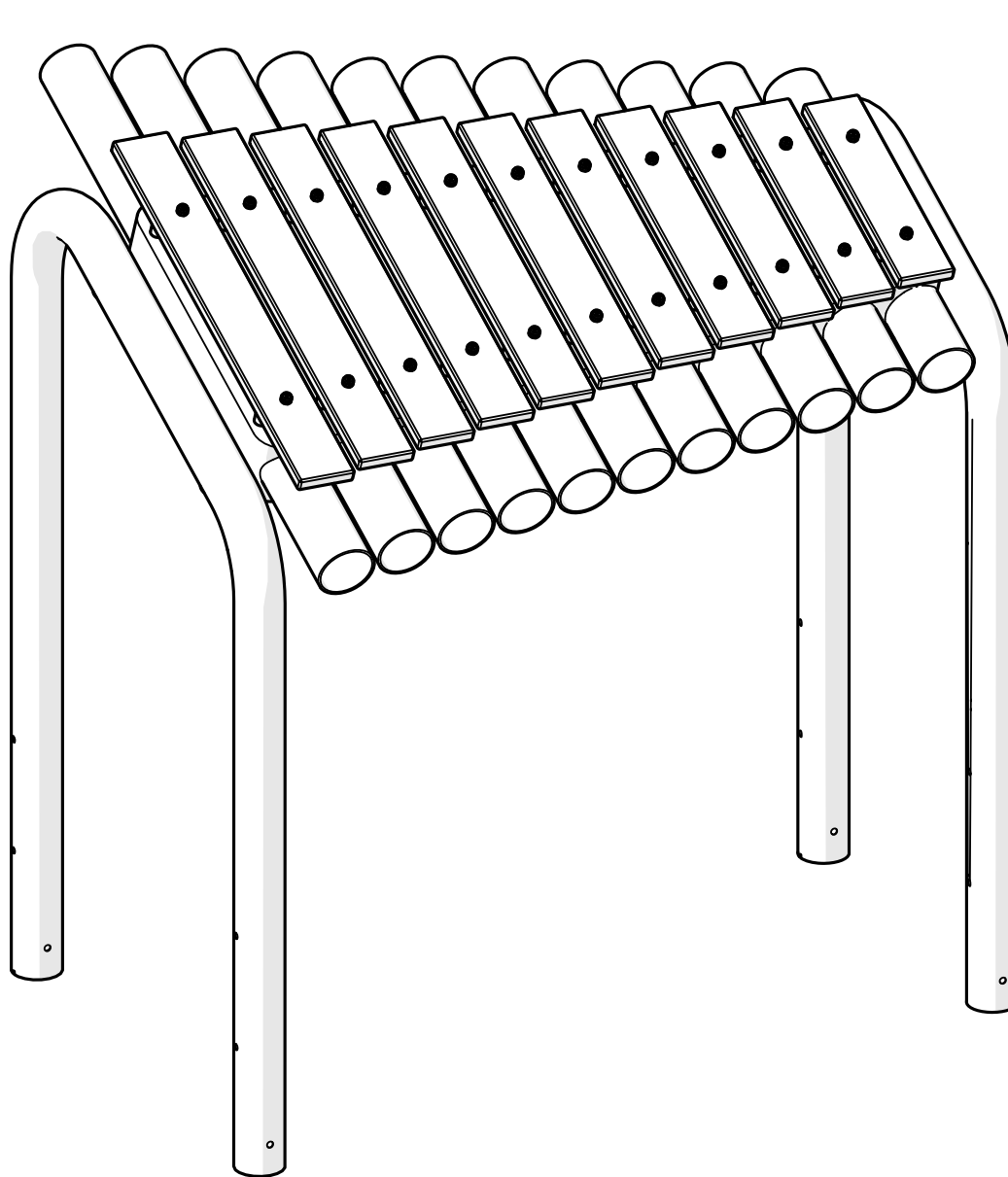
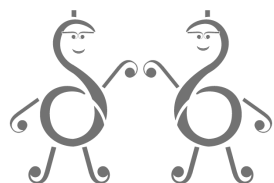


1

2

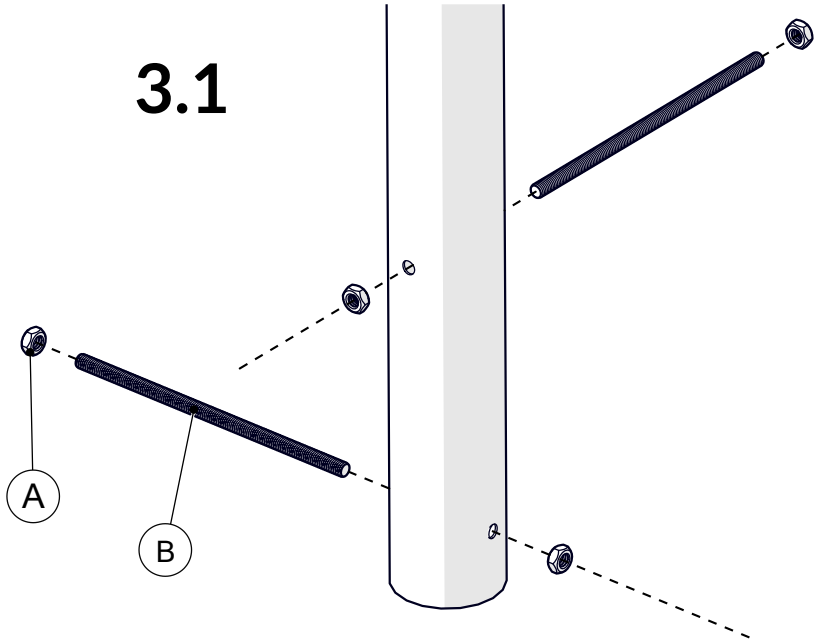


2.

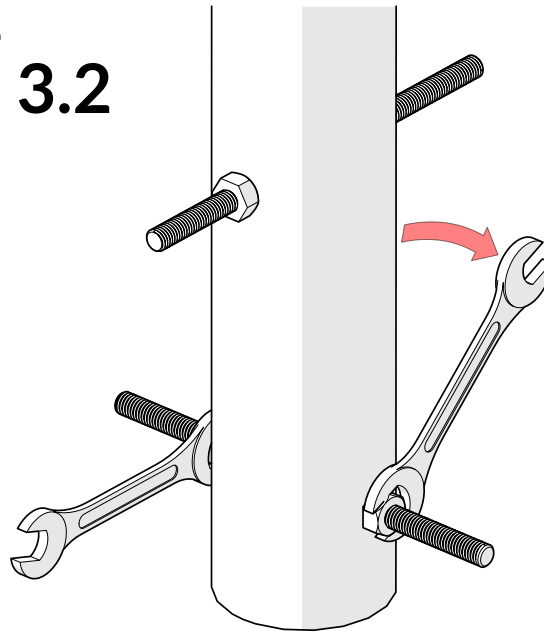


3. x4

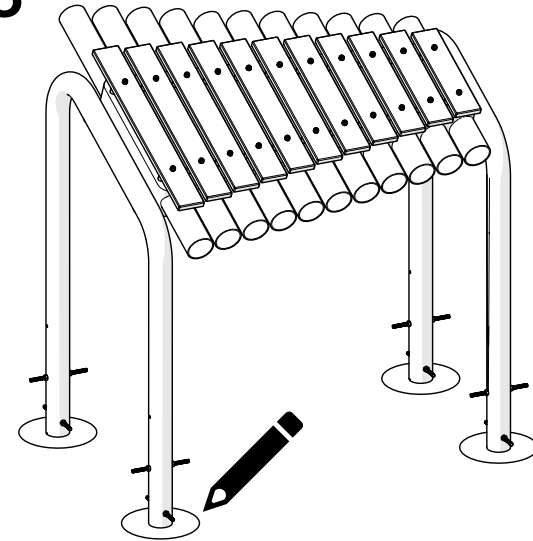
3.1



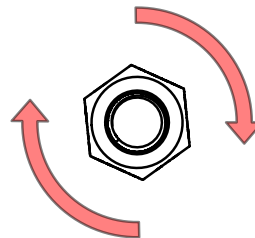
3.2



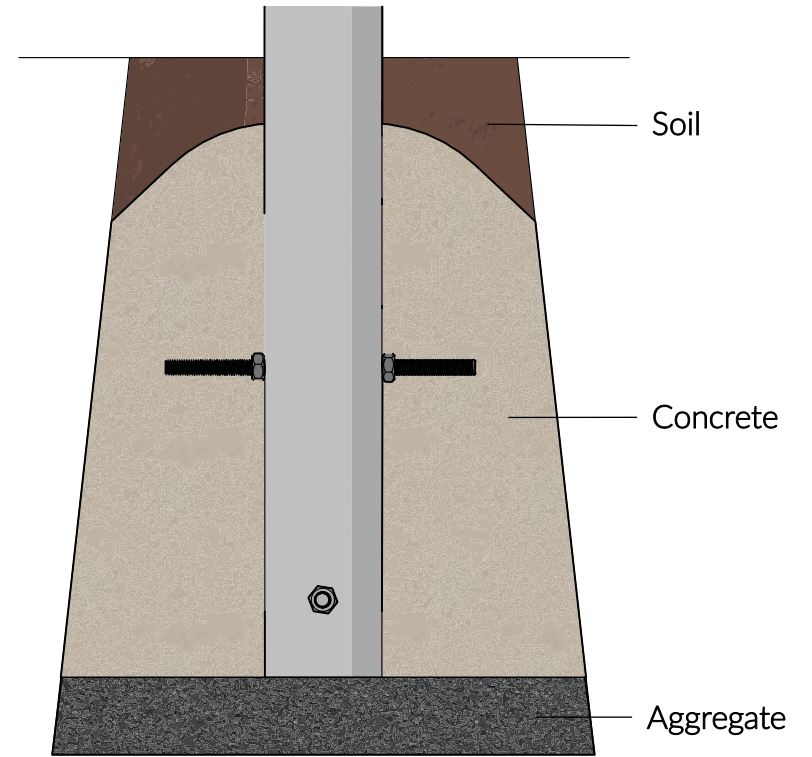
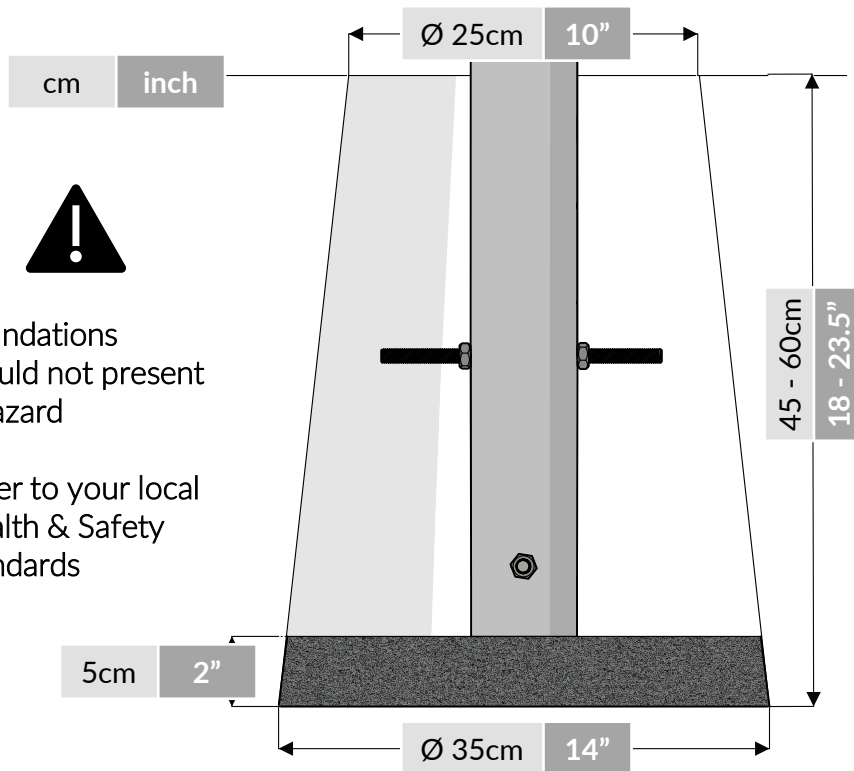
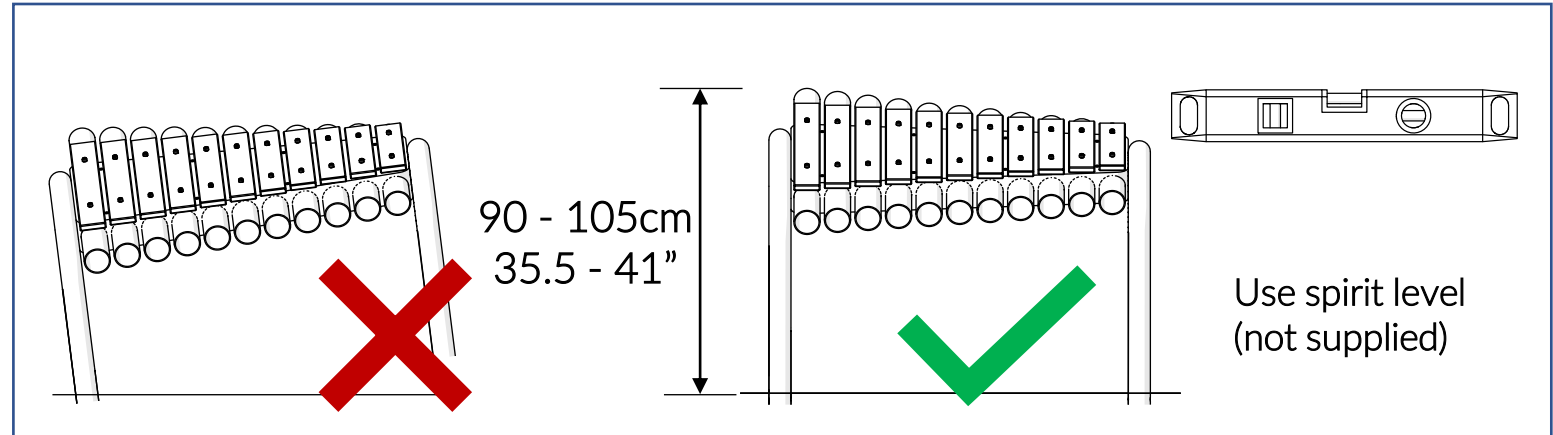
3.3



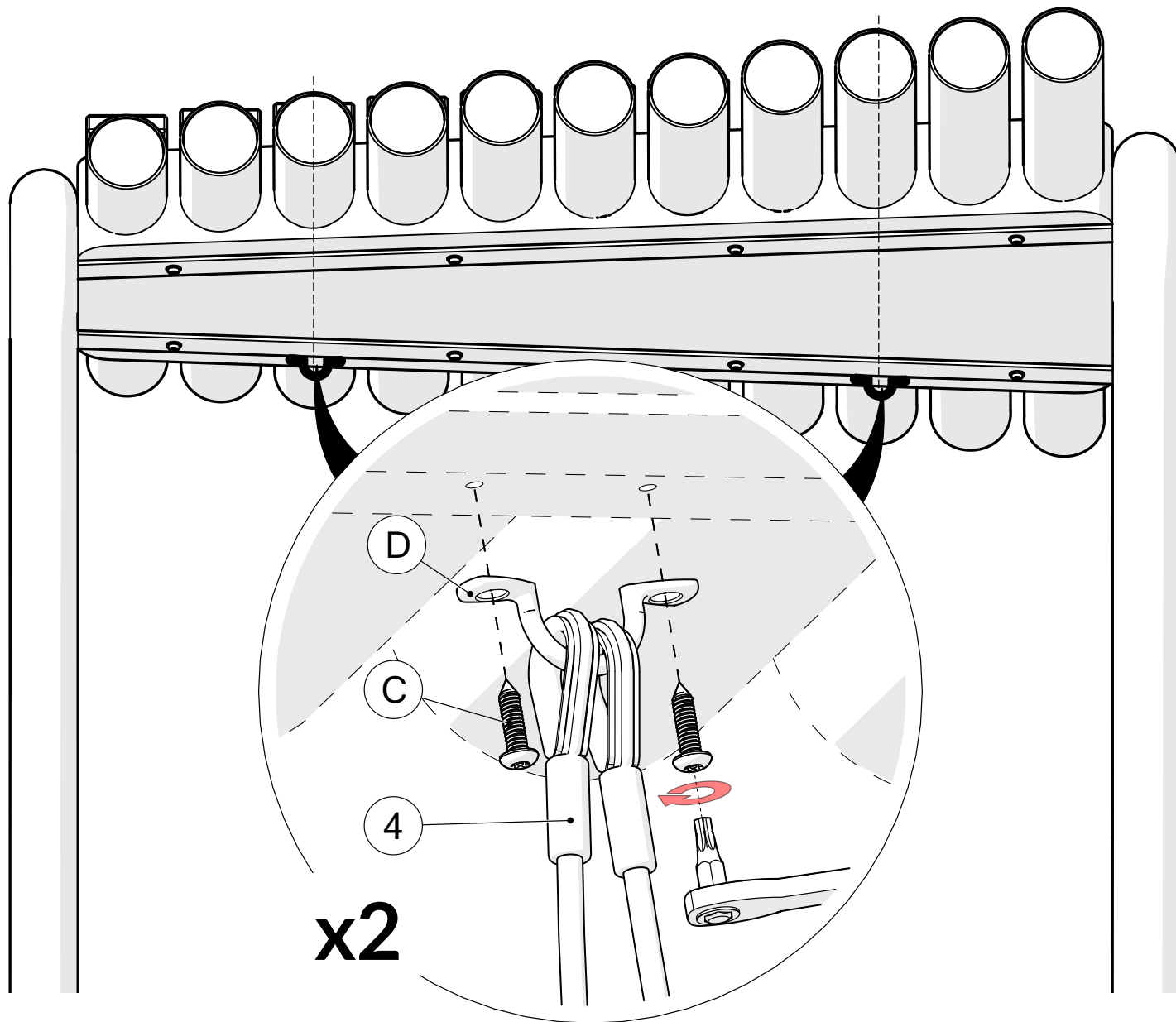
A		x16
B		x8



4. x4



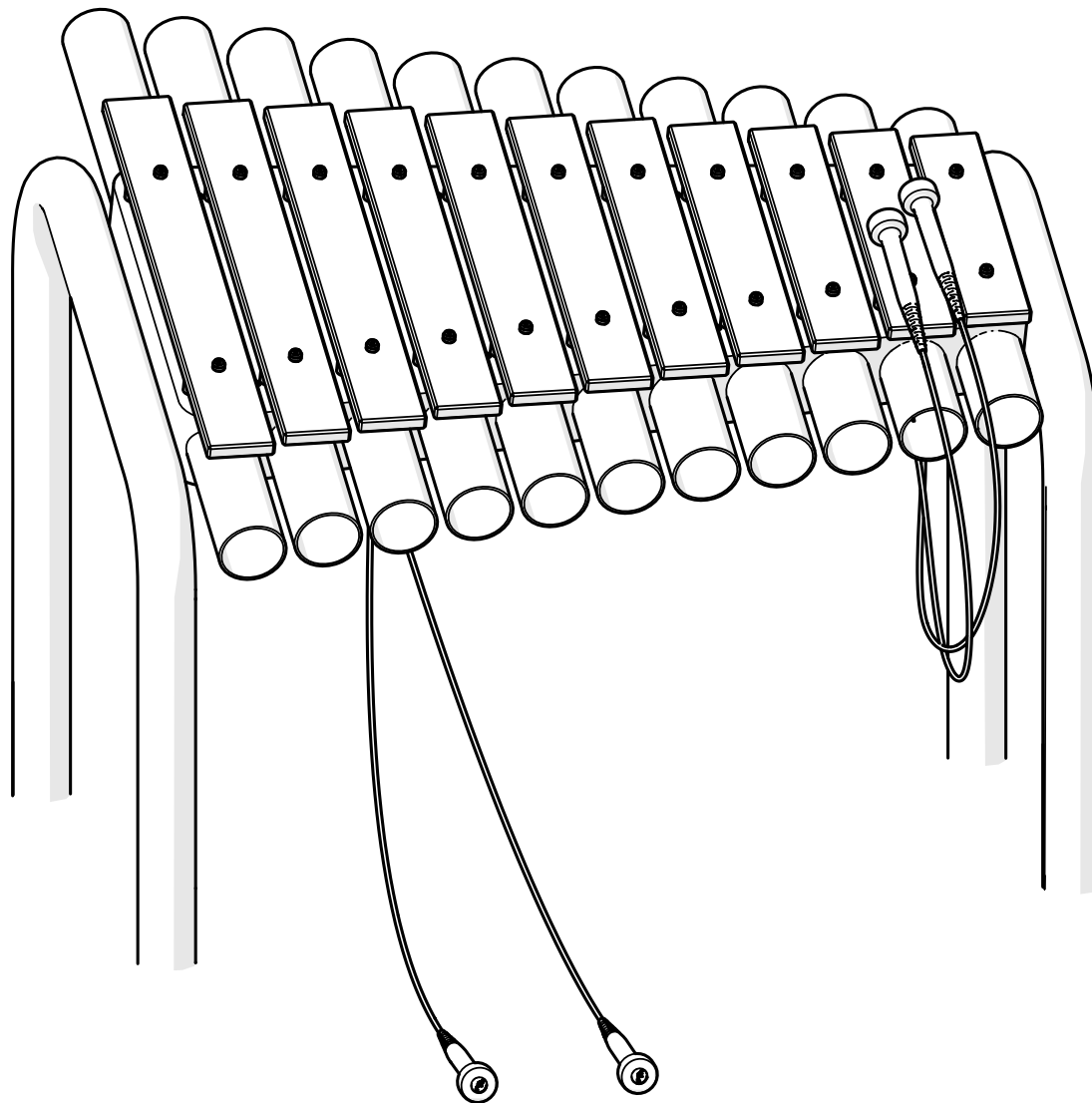
5.



TX25

4		x4
C		x4
D		x2

x2



percussionplay.com



info@percussionplay.com



UK
[01730 235 180](tel:01730235180)

USA & CAN
[+1 \(866\) 882 9170](tel:+18668829170)

EUR & ROW
[+44 1730 235 180](tel:+441730235180)