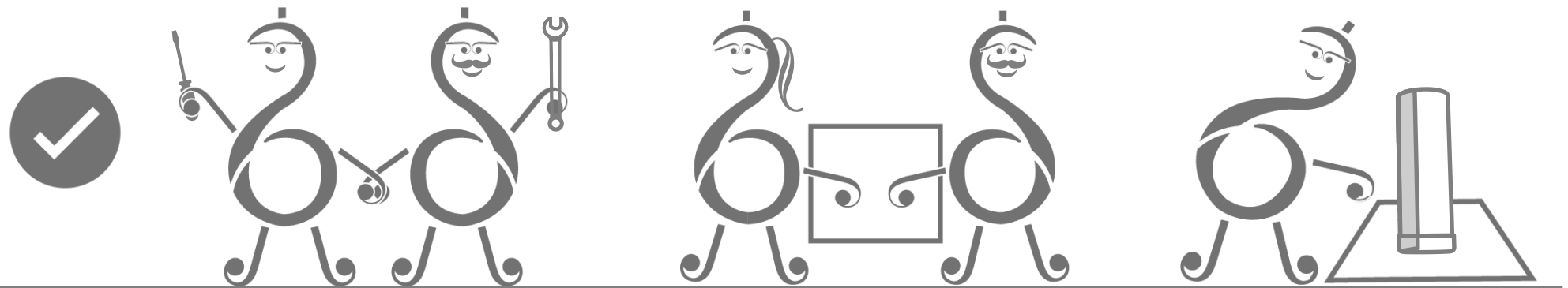
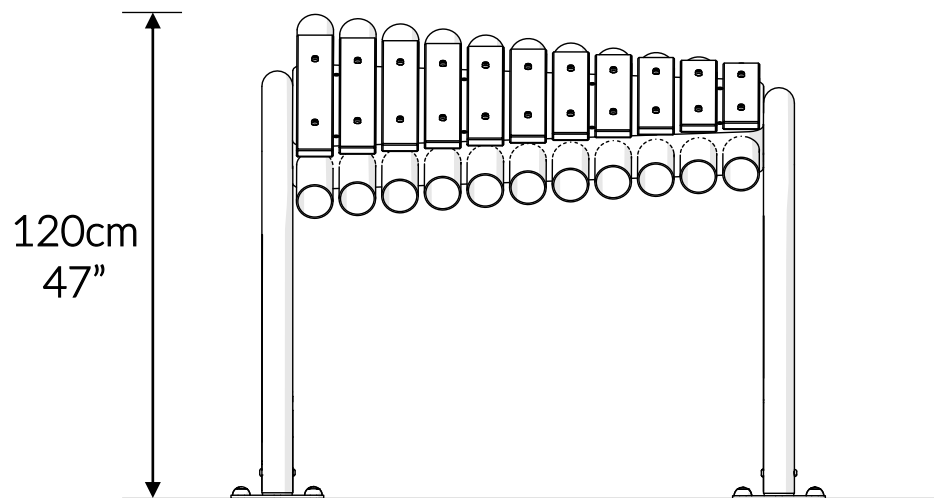
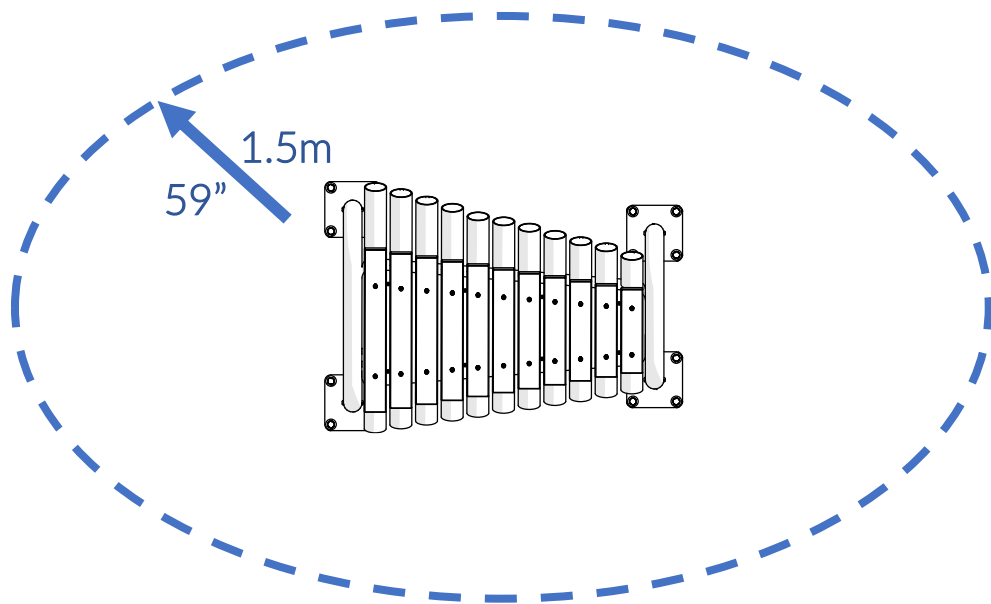


Part Reference	Description
PP-GMAR-SD-SU	Grand Marimba - (Surface Fix)

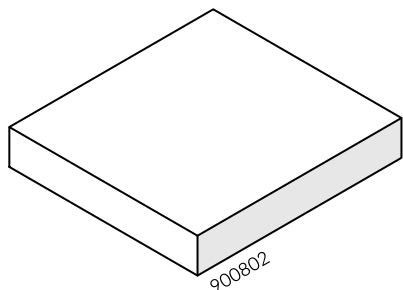




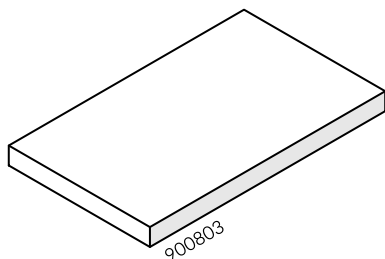


Check Risk Assessment

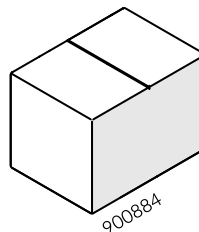
Packages



x1



x1

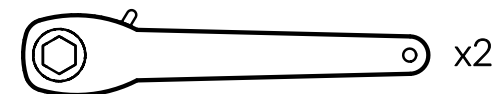


x4

		L	W	H	Weight	Net
x1	900802	130cm / 51"	120cm / 47"	22cm / 8.5"	35kg / 77lbs	
x1	900803	150cm / 59"	90cm / 35.5"	11cm / 4.5"	15kg / 33lbs	
x4	900884	32cm / 12.5"	23cm / 9"	23cm / 9"	6kg / 13lbs	

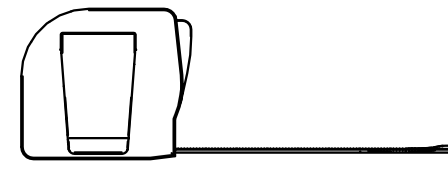
Tools required (not supplied)

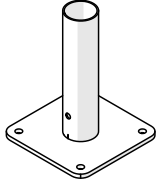

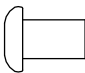
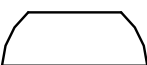

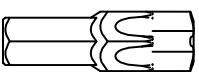
1/4" Bit Driver Ratchet

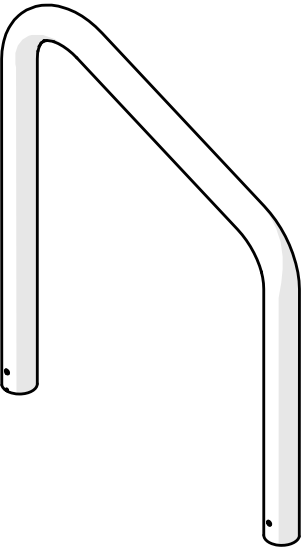
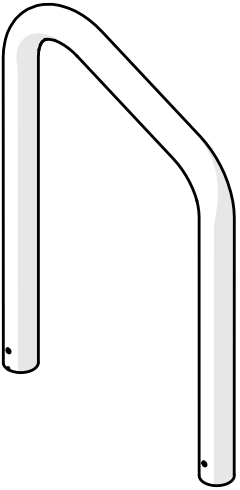


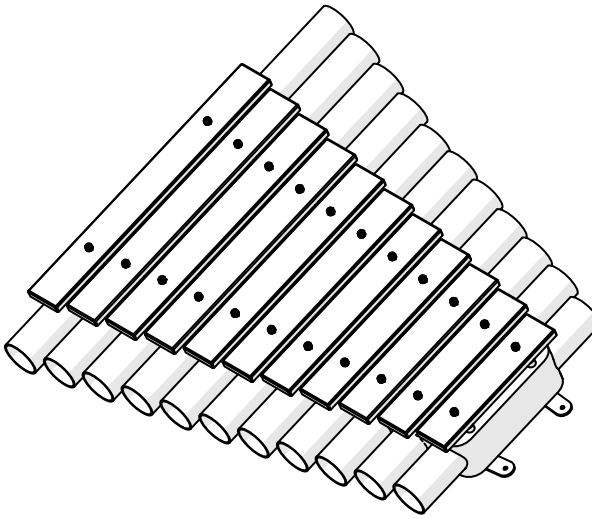
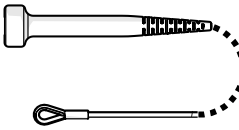
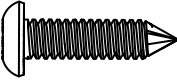
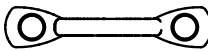
x2

Tape Measure

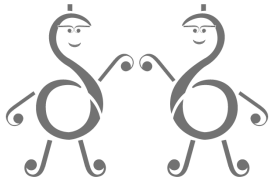


900884		x4
④ x1 800878		
Ⓐ x1 500667		
Ⓑ x1 500613		
Ⓒ x4 601543		
Ⓓ x4 601542		
TX45 x2 500720		

900803	
② x1 L	
③ x1 R	

900802		Not to scale
① x1		
⑤ x4 900832		Ⓔ x4 501203
Ⓔ x4 500460		TX25 x1 500472
Ⓕ x2 603150		TX45 x1 500720

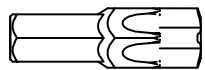
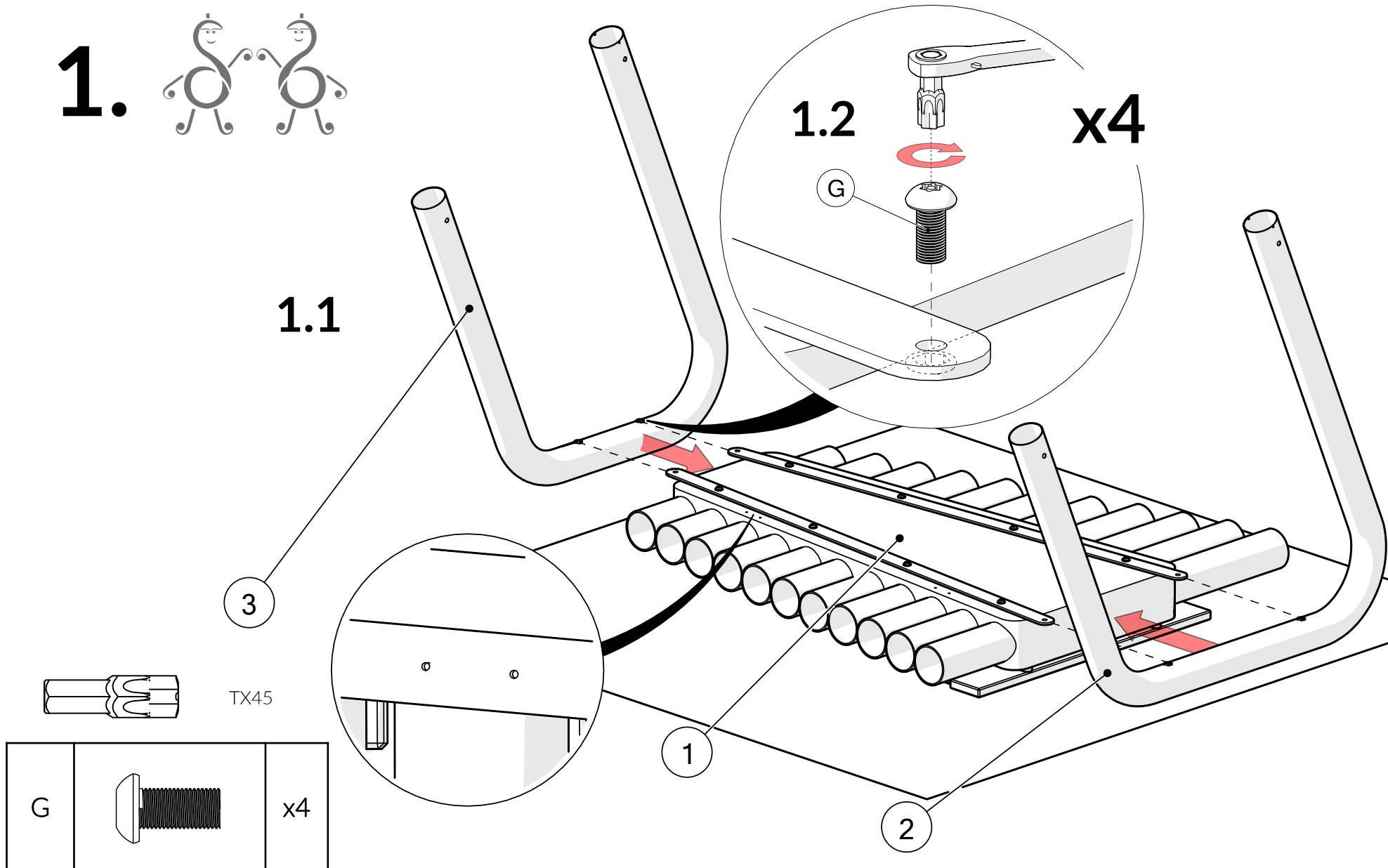
1.



1.1

1.2

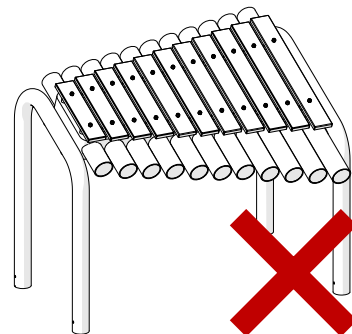
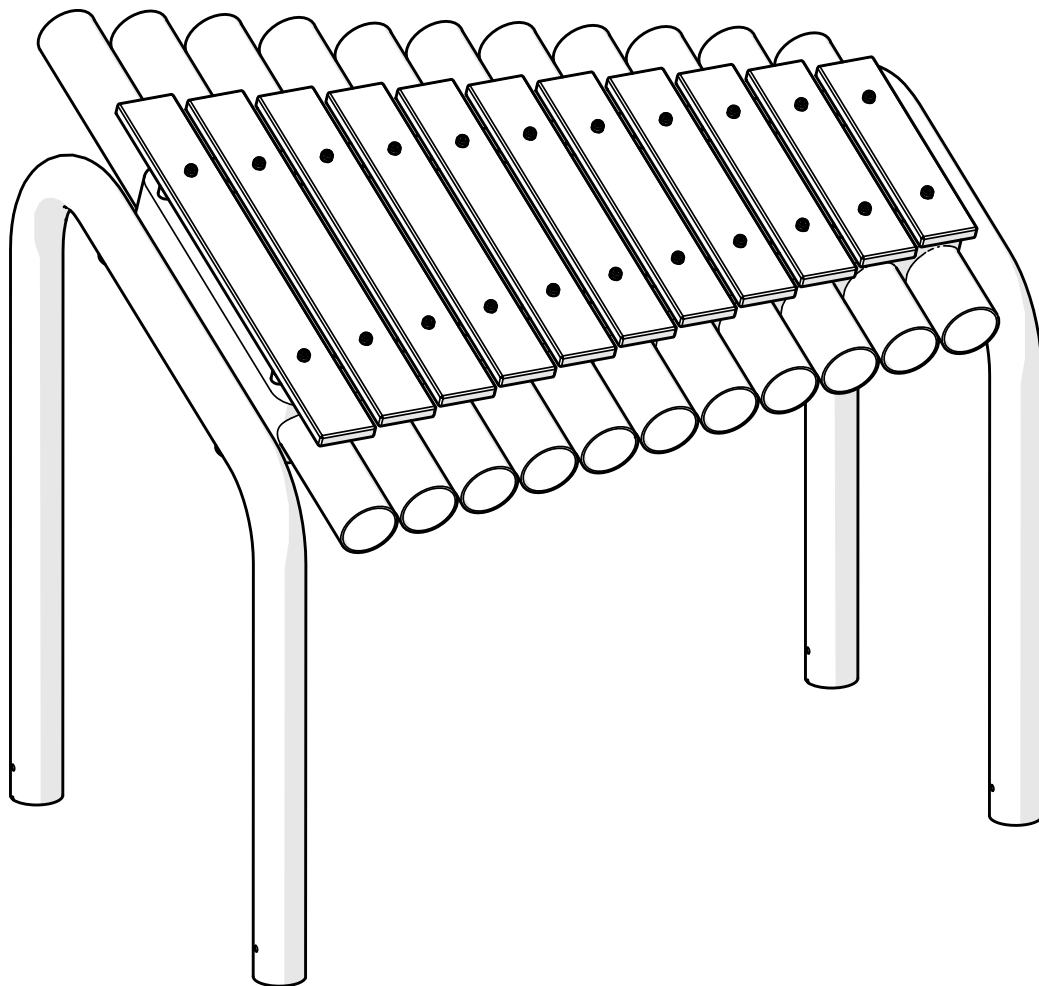
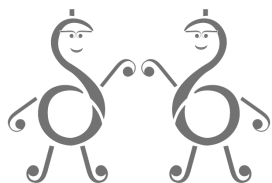
x4



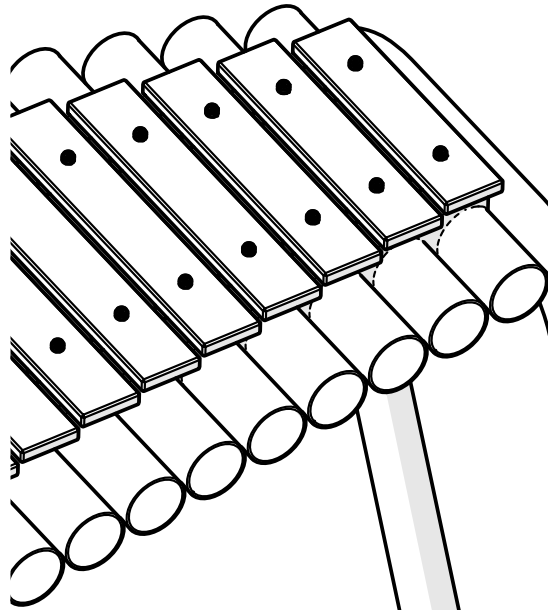
TX45

G		x4
---	--	----

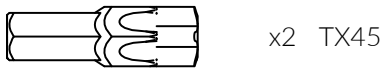
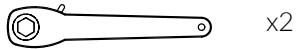
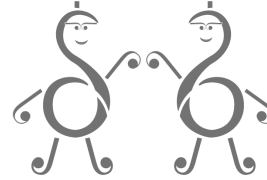
2.


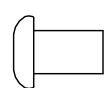


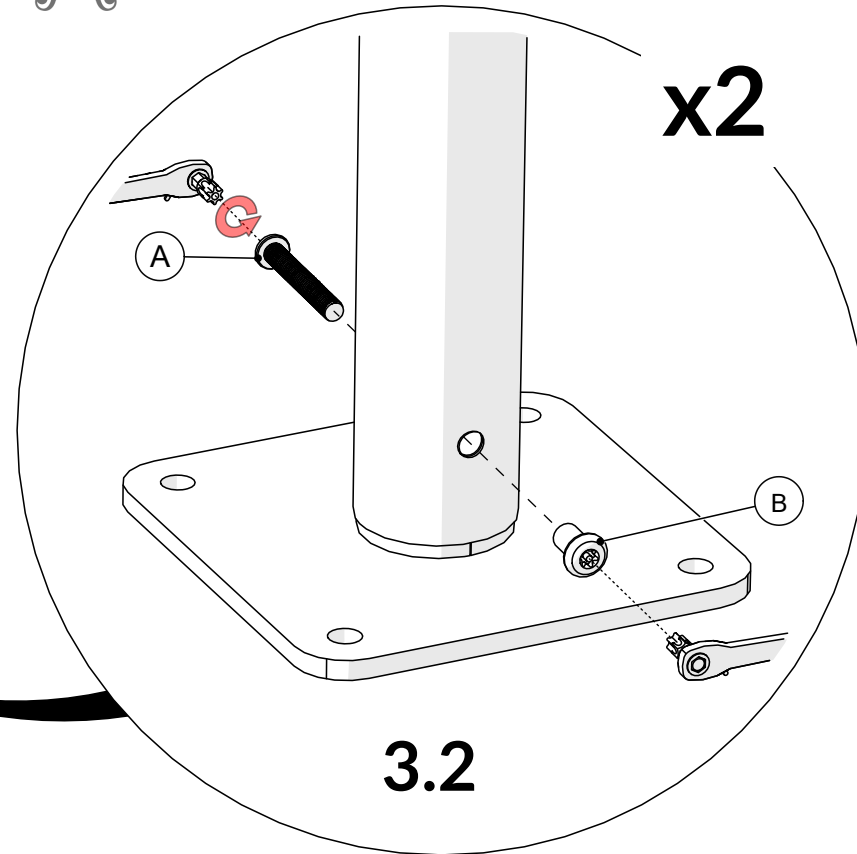
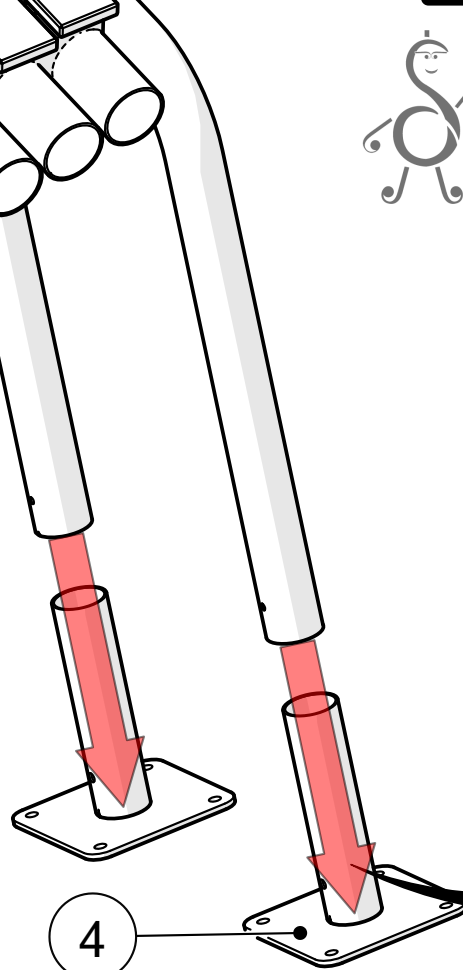
3.



3.1

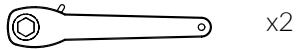
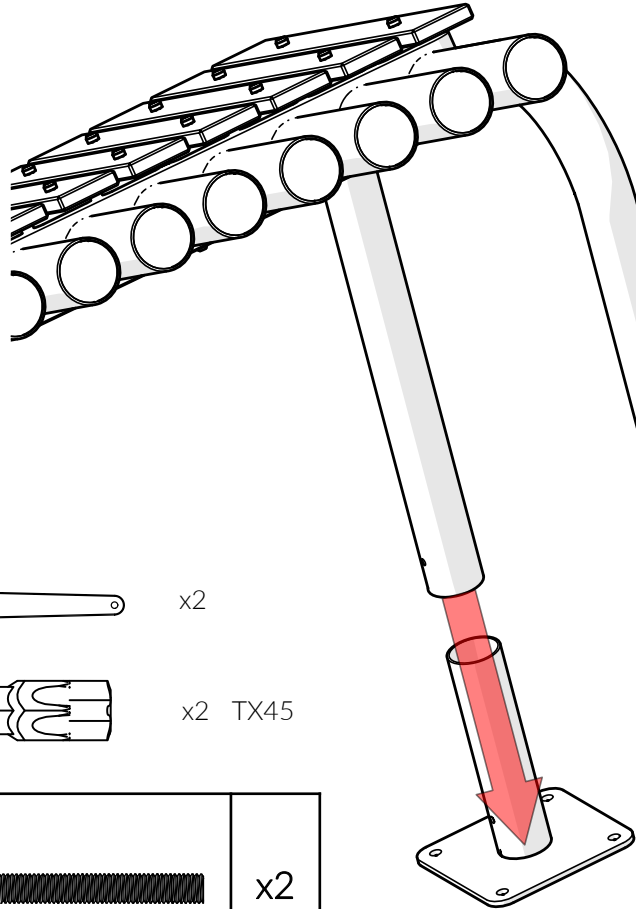
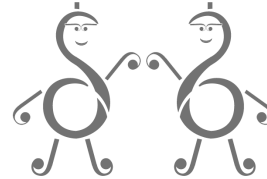


A		x2
B		x2



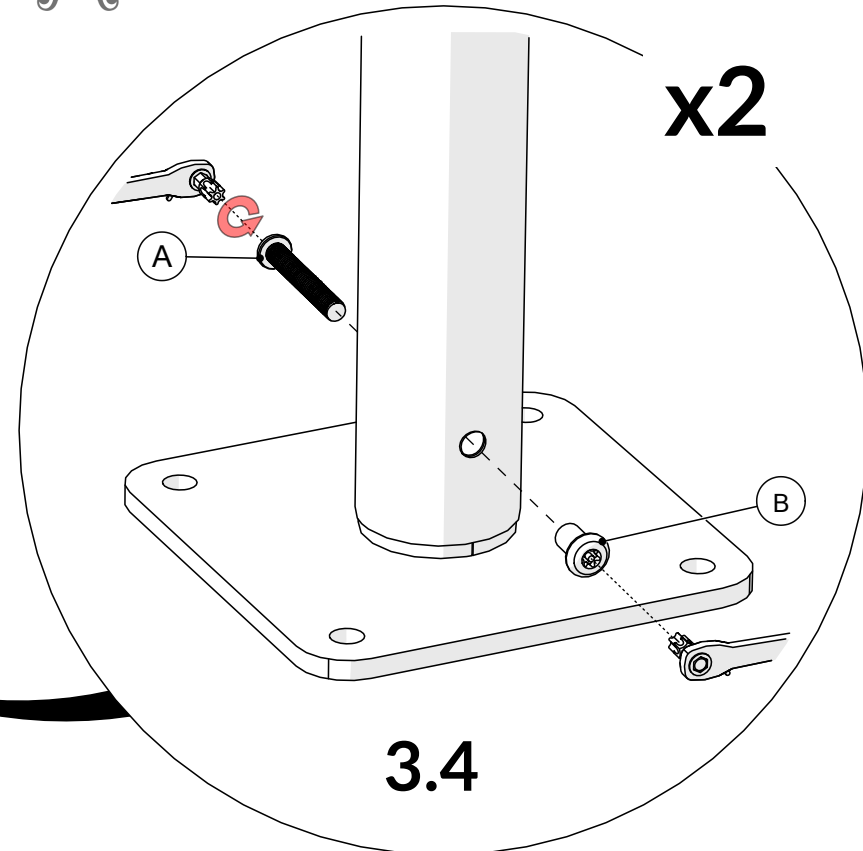
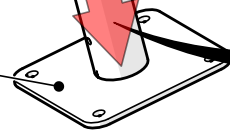
3.2

3.3



A		x2
B		x2

4



3.4

4. x4



Surface fixing should not present a hazard

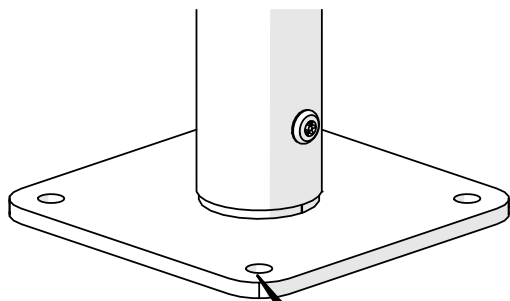
Refer to your local Health & Safety standards

C		x16
D		x16

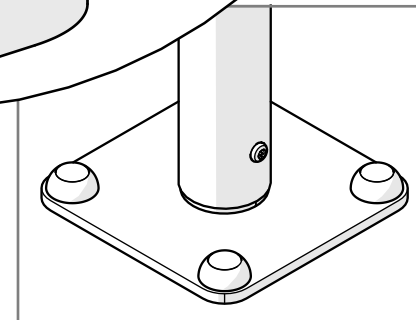
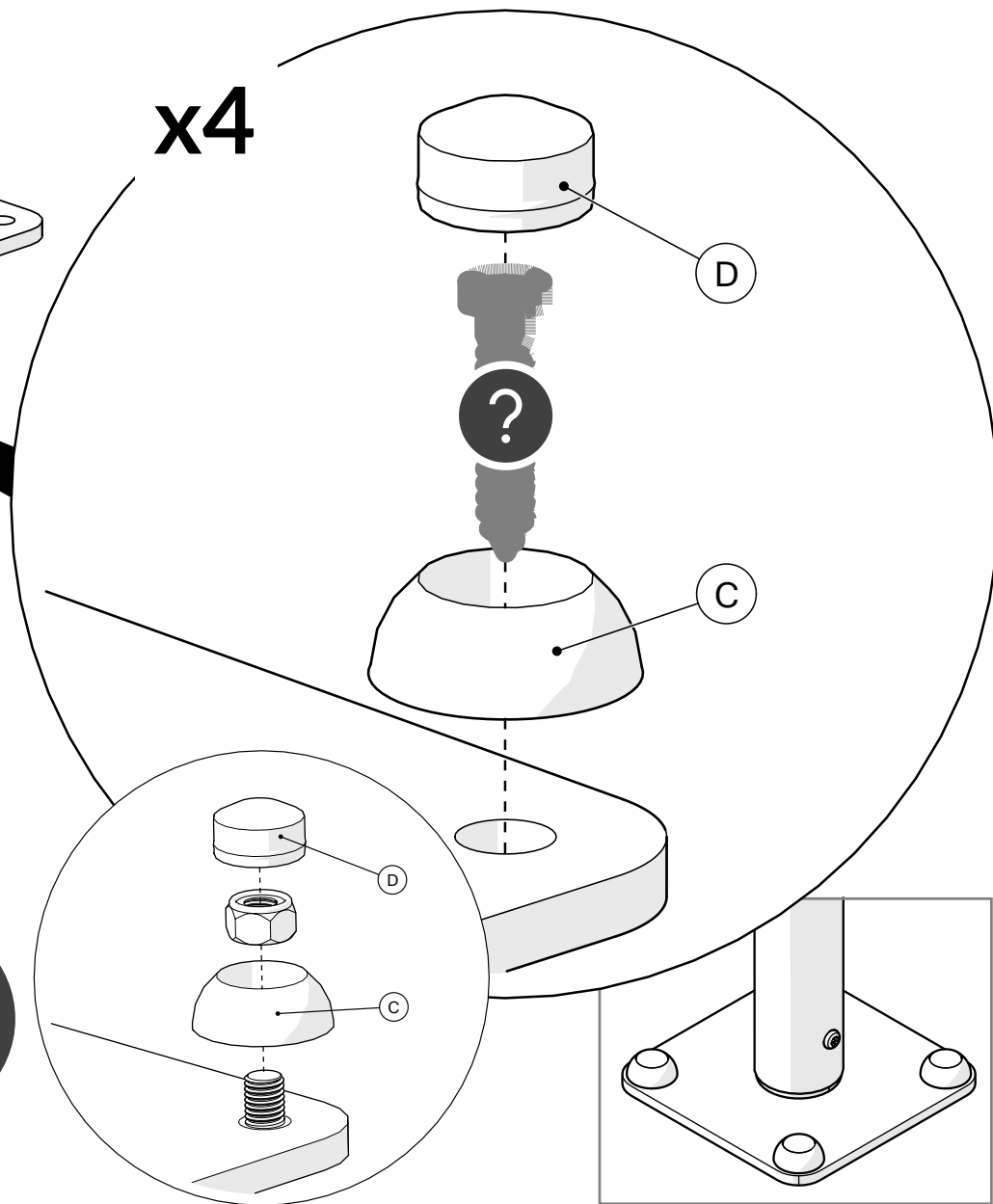
Surface

Example fixing

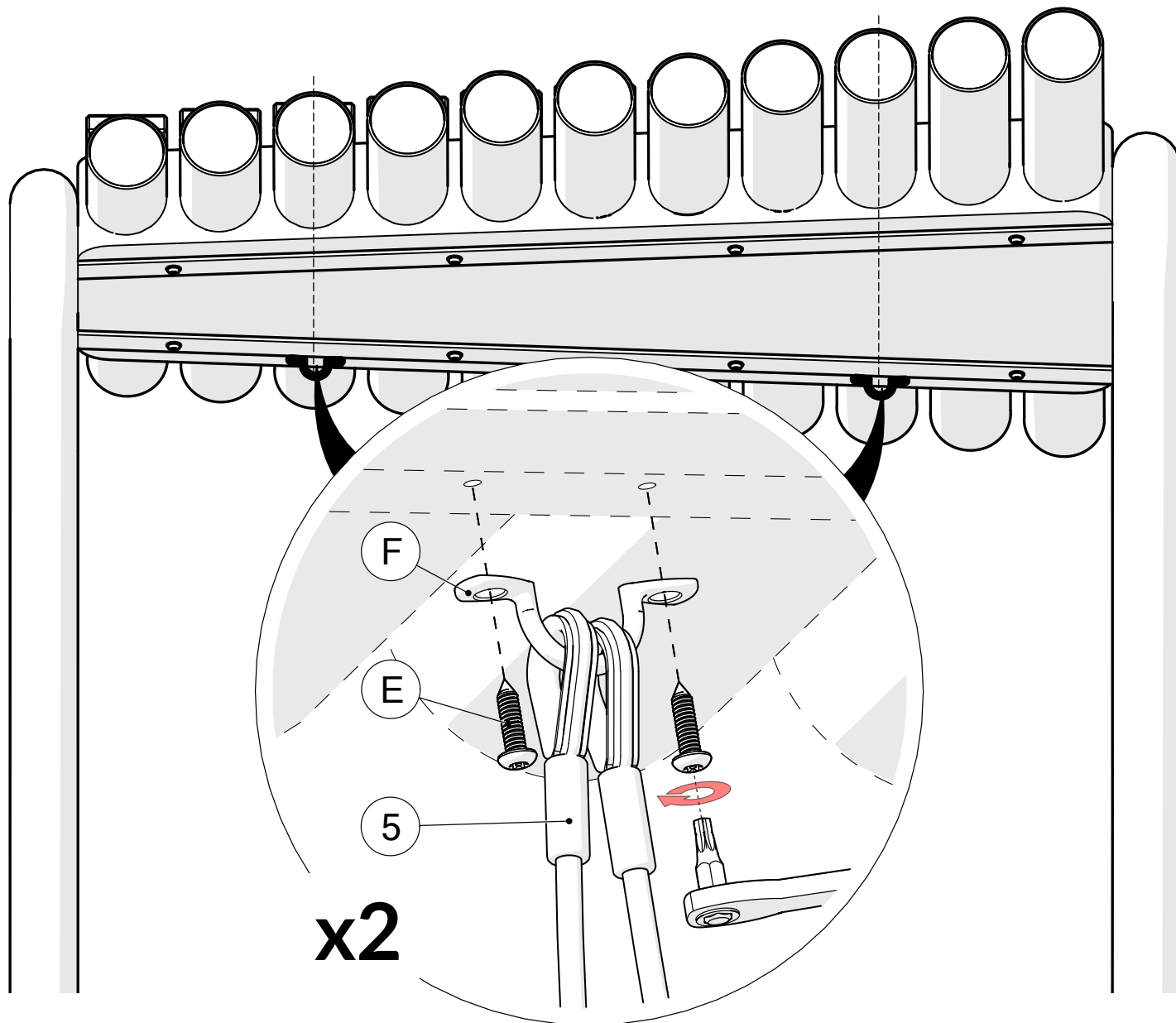
	Wood		x16
	Concrete		x16
	Brick		x16



x4

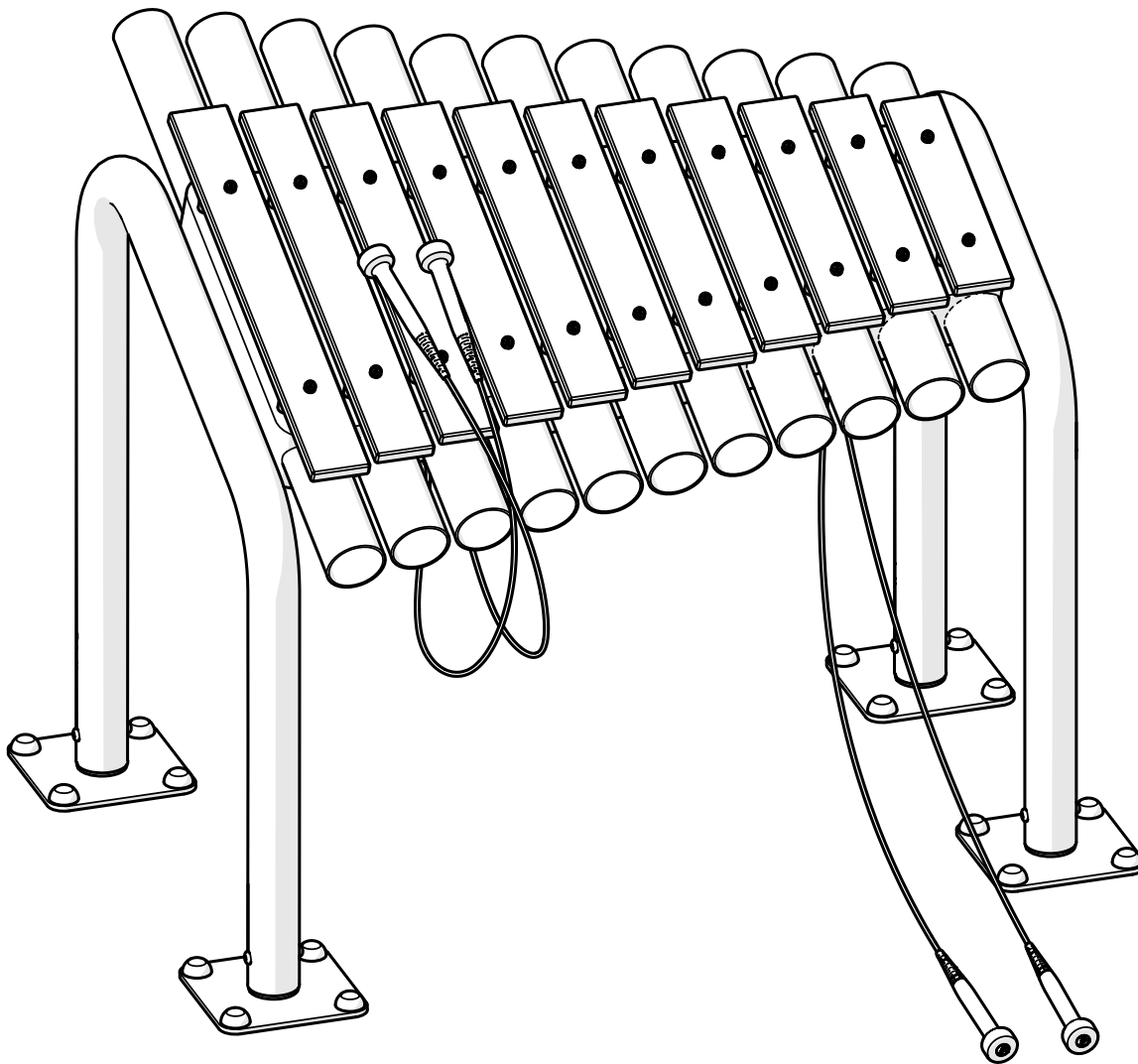


5.



TX25

5		x4
E		x4
F		x2



percussionplay.com



info@percussionplay.com



UK
[01730 235 180](tel:01730235180)

USA & CAN
[+1 \(866\) 882 9170](tel:+18668829170)

EUR & ROW
[+44 1730 235 180](tel:+441730235180)