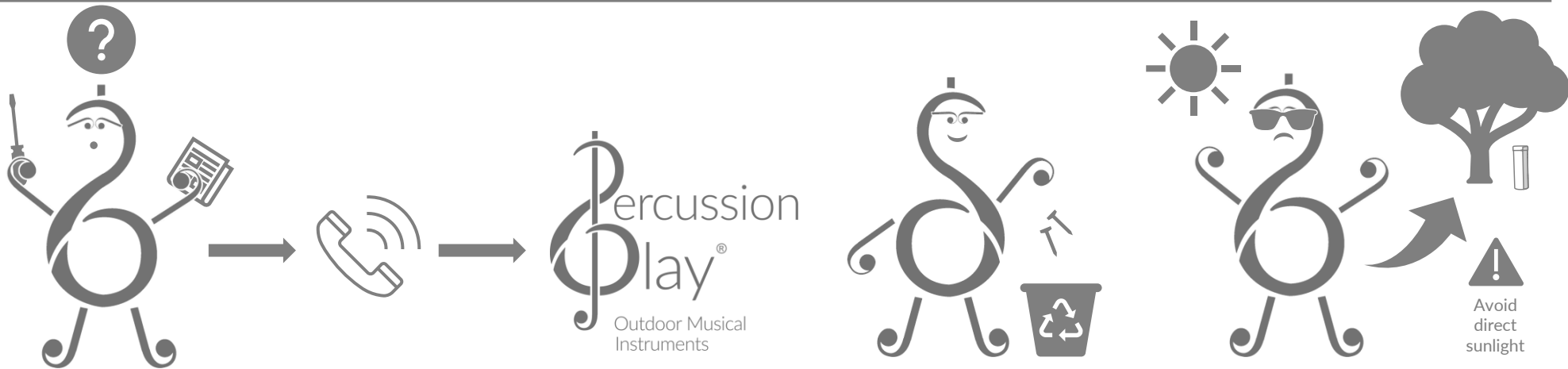
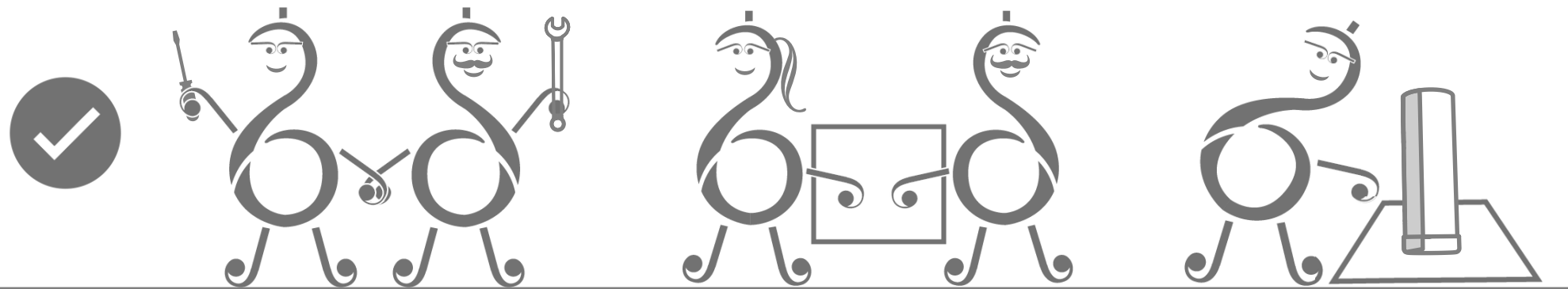
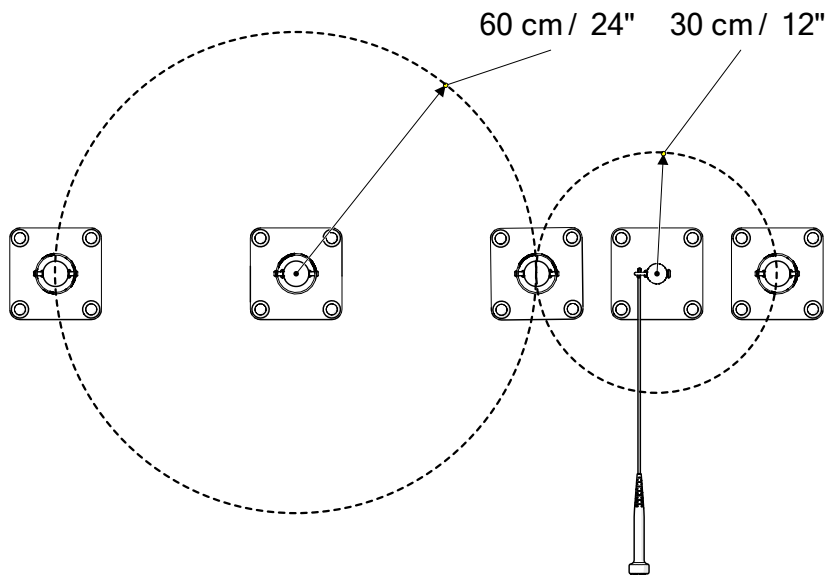
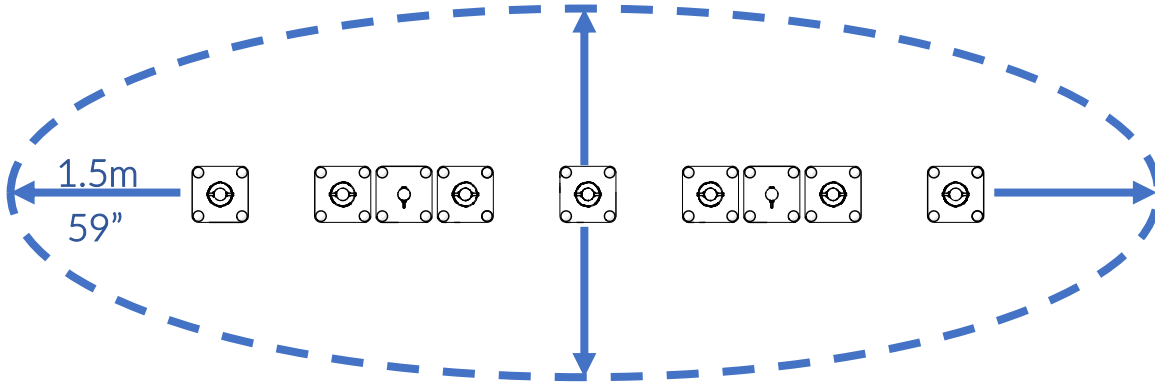


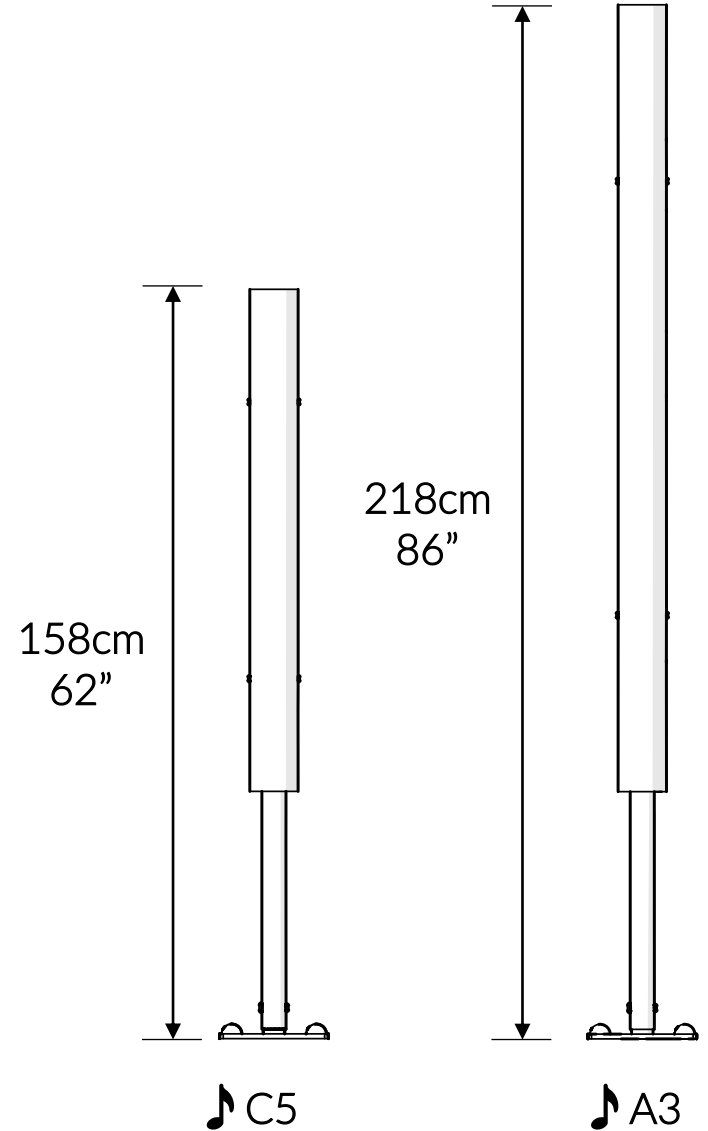
Part Reference	Description
PP-TBEL-ST-07-SU	Tubular Bells (Set of 7) - Silver (Surface Fix)







Check Risk Assessment

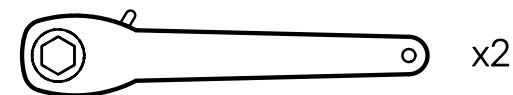


Packages

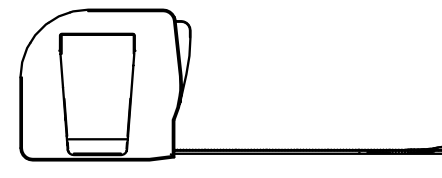
		L	W	H	Weight	Net
x1	904400	219cm / 86"	13cm / 5"	13cm / 5"	10kg / 22lbs	
x1	904401	205cm / 81"	13cm / 5"	13cm / 5"	10kg / 22lbs	
x1	904402	196cm / 77"	13cm / 5"	13cm / 5"	9kg / 20lbs	
x1	904403	187cm / 74"	13cm / 5"	13cm / 5"	9kg / 20lbs	
x1	904404	177cm / 70"	13cm / 5"	13cm / 5"	8kg / 18lbs	
x1	904405	170cm / 67"	13cm / 5"	13cm / 5"	8kg / 18lbs	
x1	904406	160cm / 63"	13cm / 5"	13cm / 5"	7kg / 15lbs	
x9	902173	32cm / 12.5"	23cm / 9"	23cm / 9"	6kg / 13lbs	
x1	904398	187cm / 73.5"	12.5cm / 5"	12.5cm / 5"	5kg / 11lbs	

Tools required (not supplied)

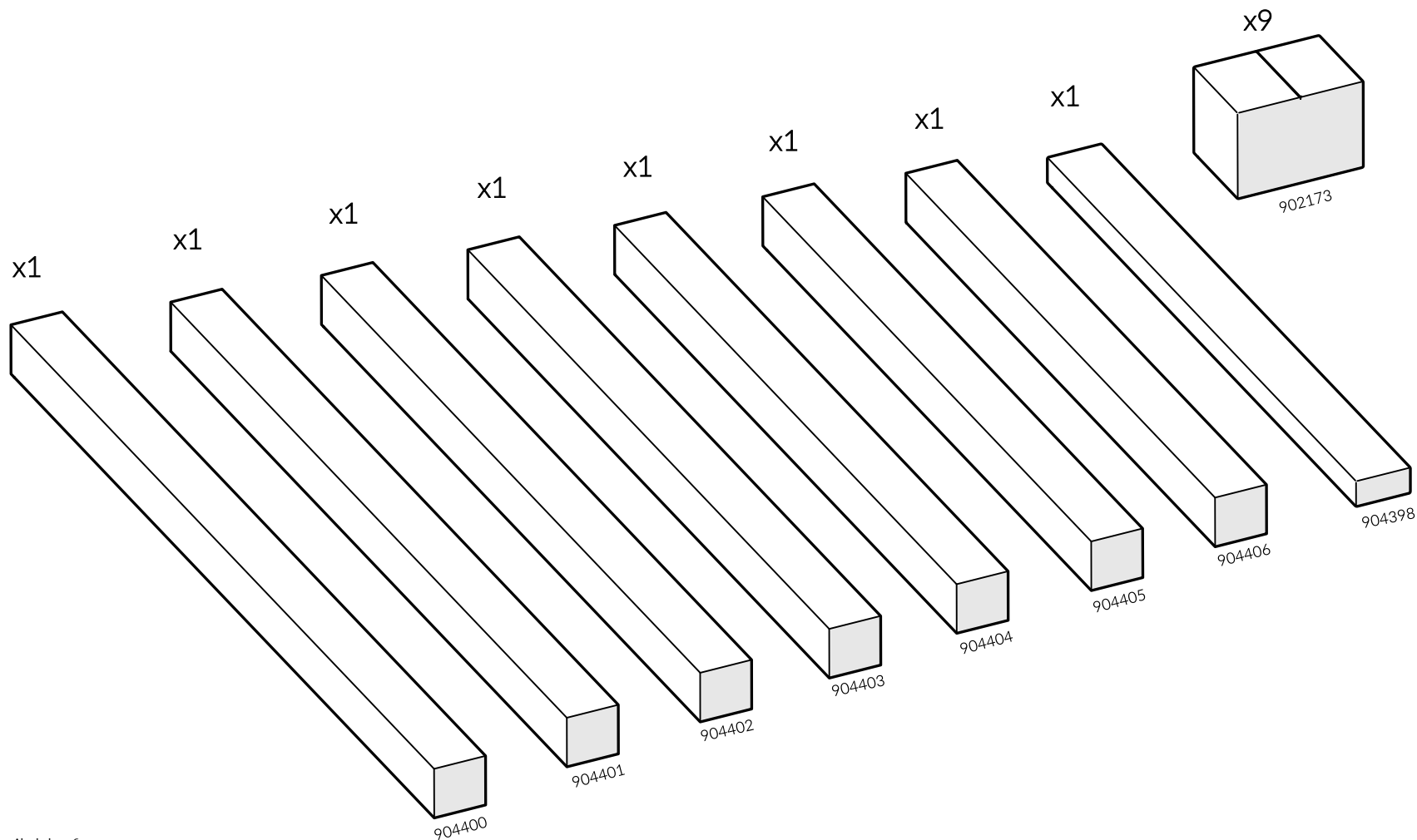
¼" Bit Driver Ratchet



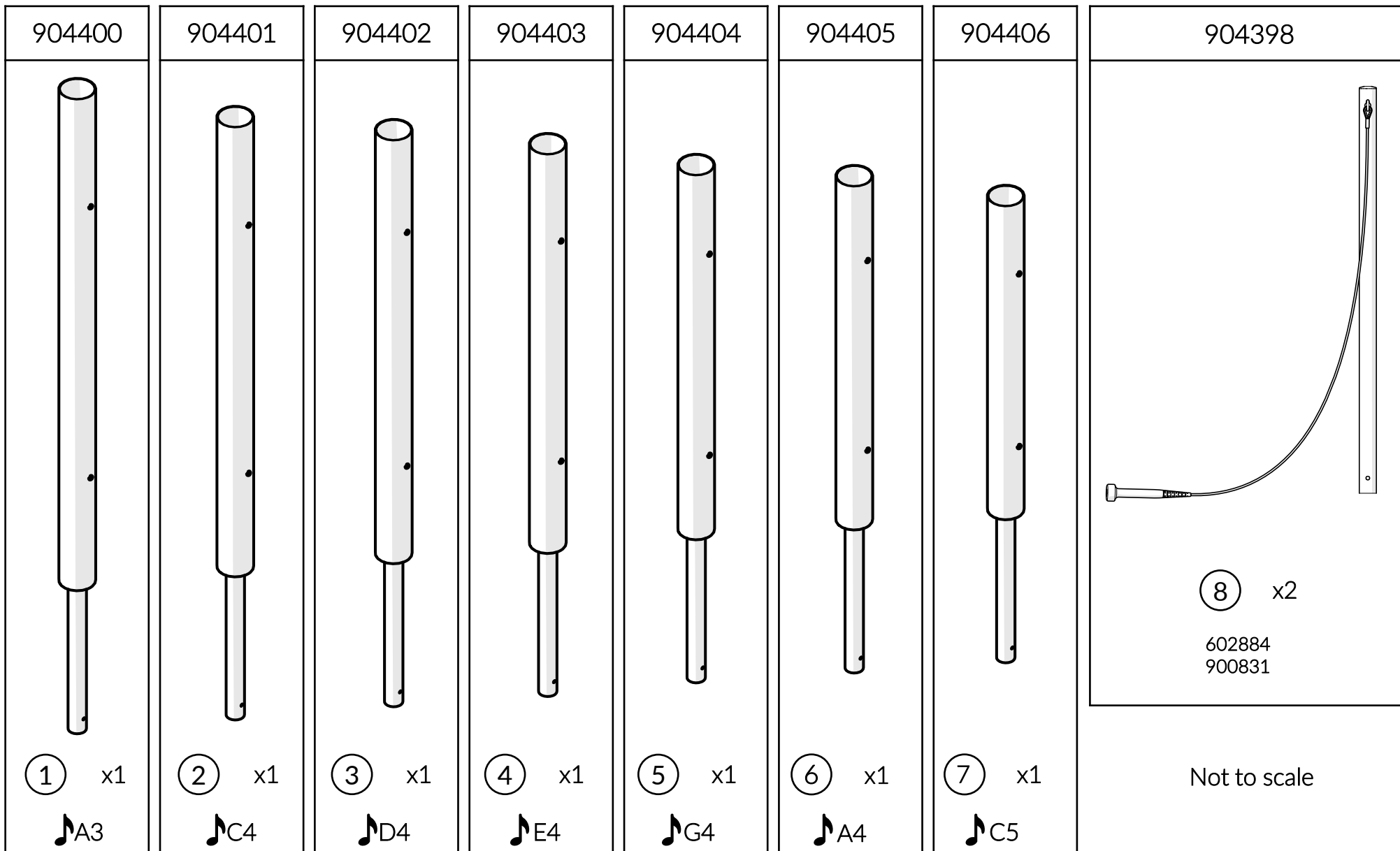
Tape Measure

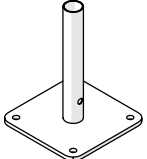

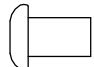





Packages



Spares available from
percussionplay.com or
from your local distributor



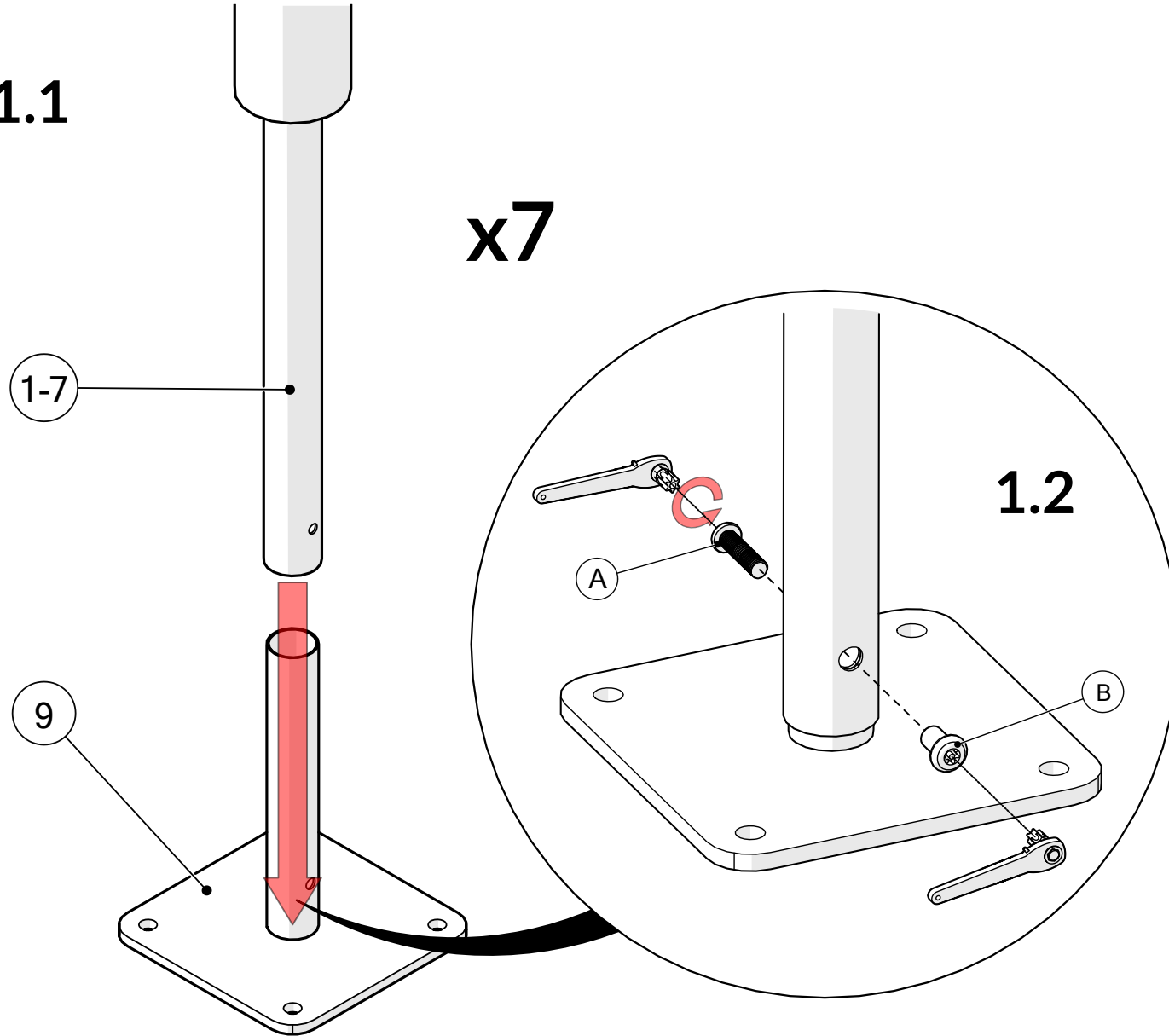
902173		x9
<p>9 x1 801916</p>		
<p>A x1 501196</p>		
<p>B x1 500613</p>		
<p>C x4 601543</p>		
<p>D x4 601542</p>		
<p>TX45 x2 500720</p>		

Not to scale

1.

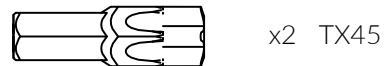
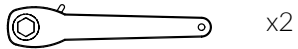
1.1

x7



1-7

9

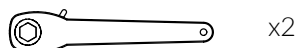


A		x7
B		x7

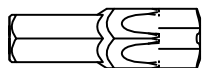
2.

2.1

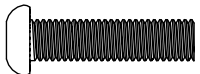
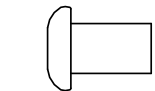
x2

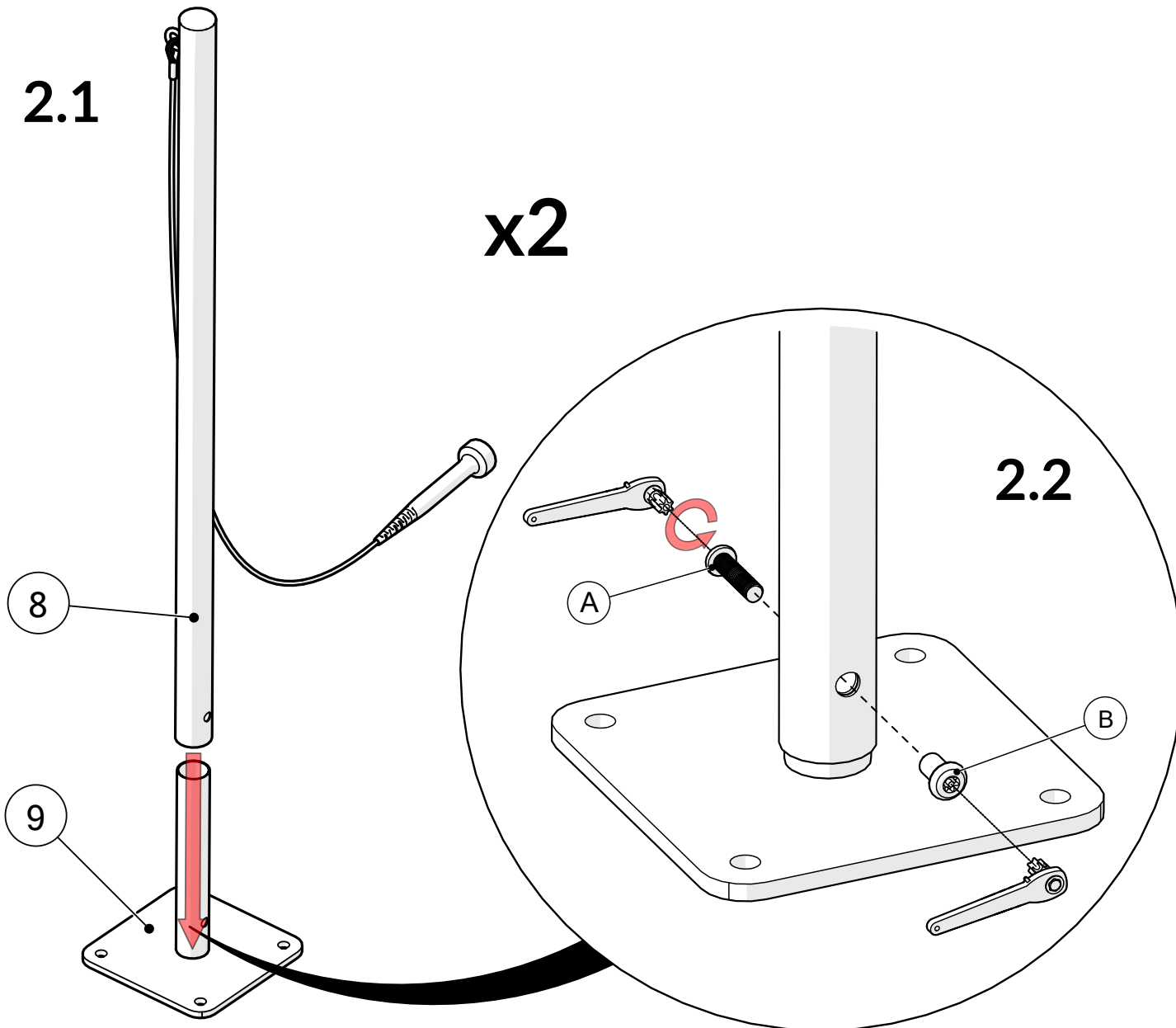


x2



x2 TX45

A		x2
B		x2

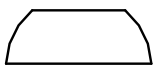



3. x9

Surface fixing should not present a hazard




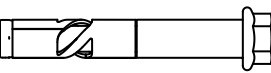

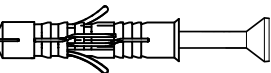


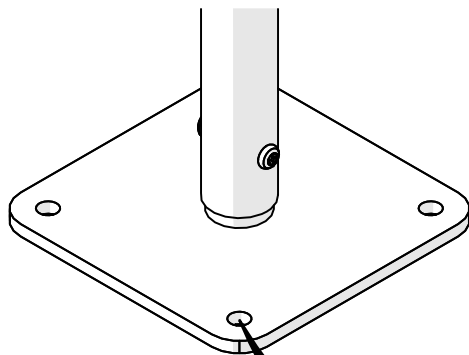
Refer to your local Health & Safety standards

C		x36
D		x36

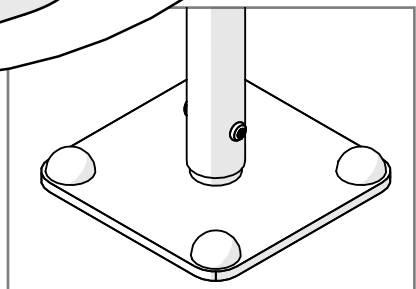
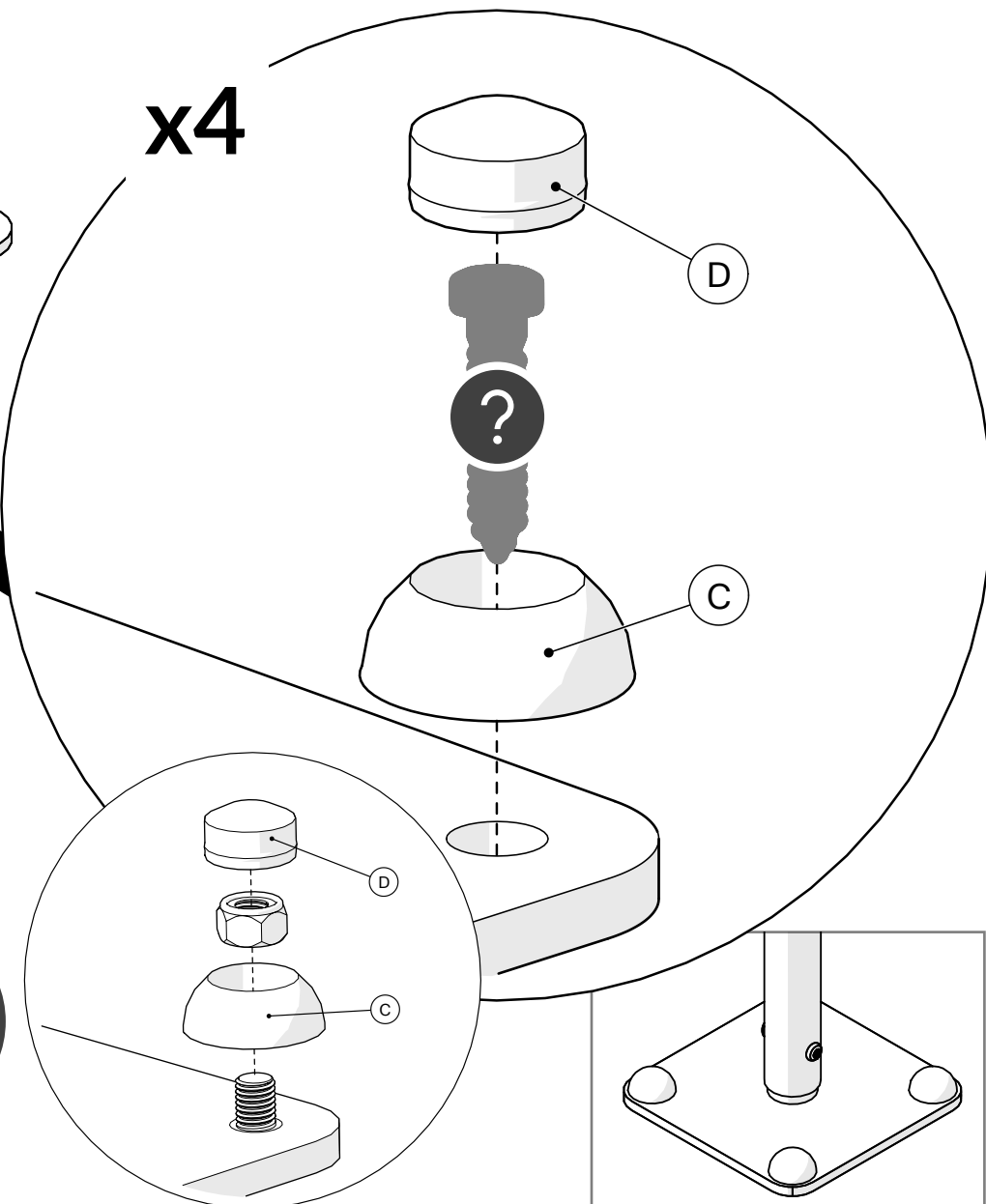
Surface

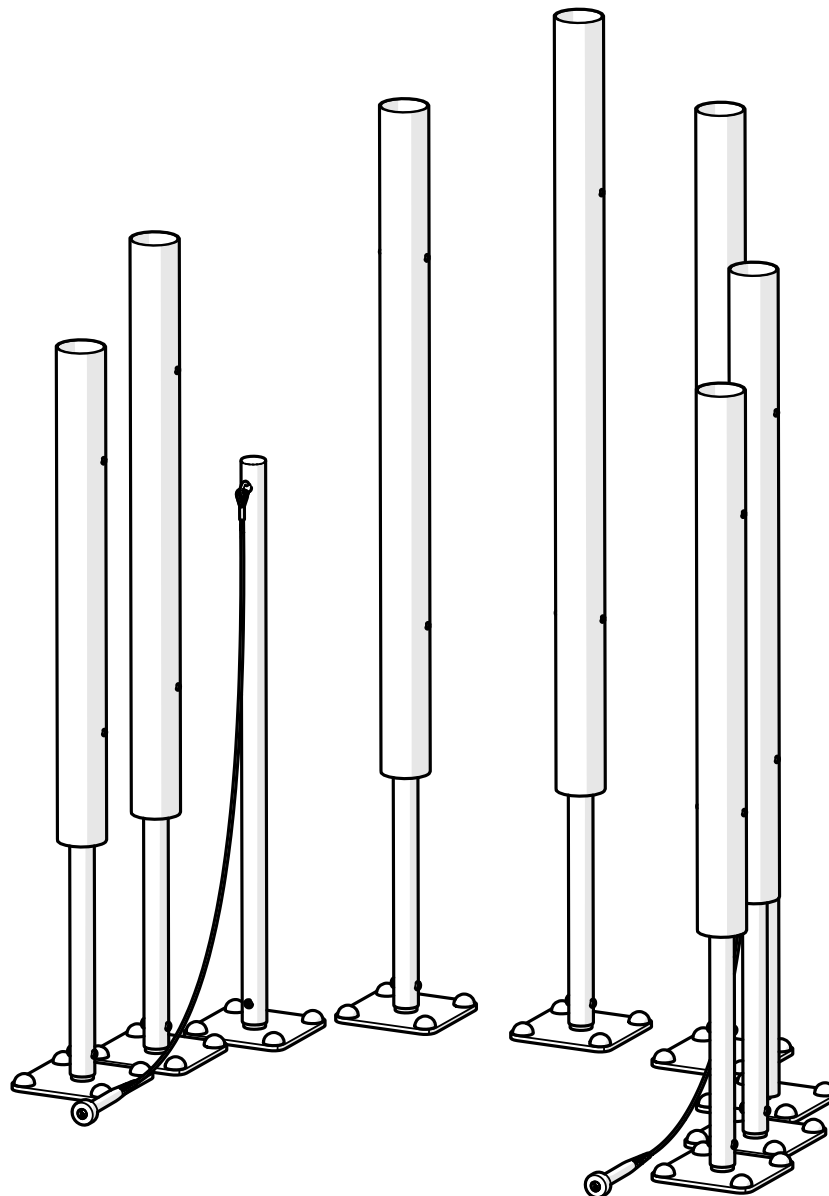
Example fixing

	Wood		x36
	Concrete		x36
	Brick		x36



x4





Recommended layout
(for illustration purposes only)



percussionplay.com



info@percussionplay.com



UK
[01730 235 180](tel:01730235180)

USA & CAN
[+1 \(866\) 882 9170](tel:+18668829170)

EUR & ROW
[+44 1730 235 180](tel:+441730235180)