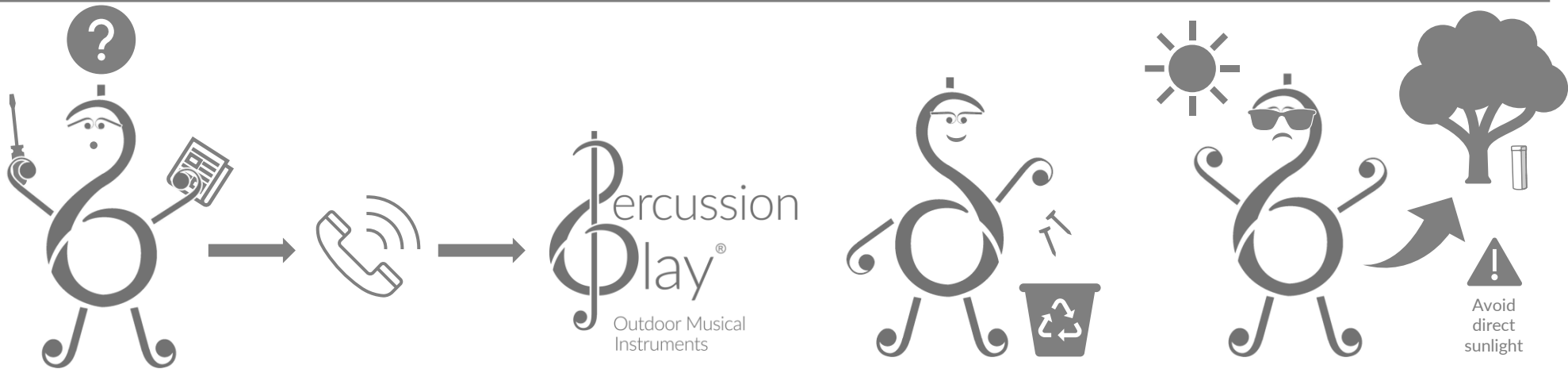
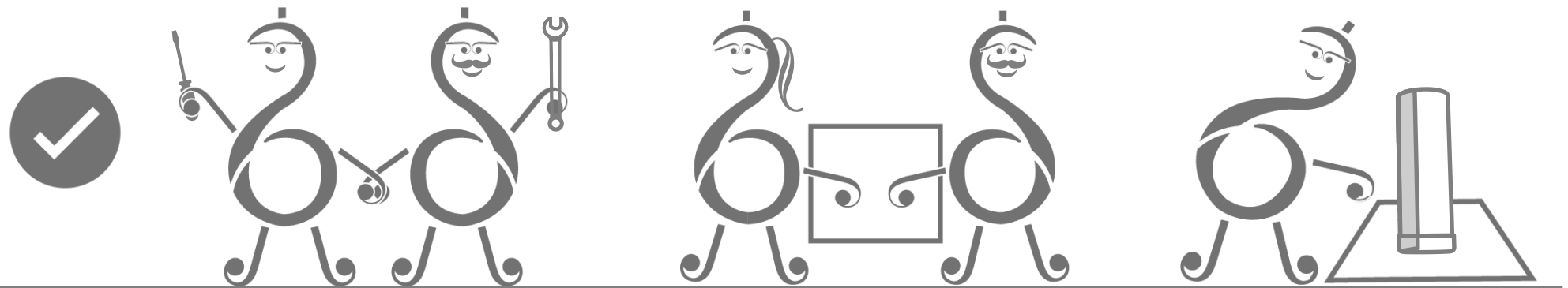
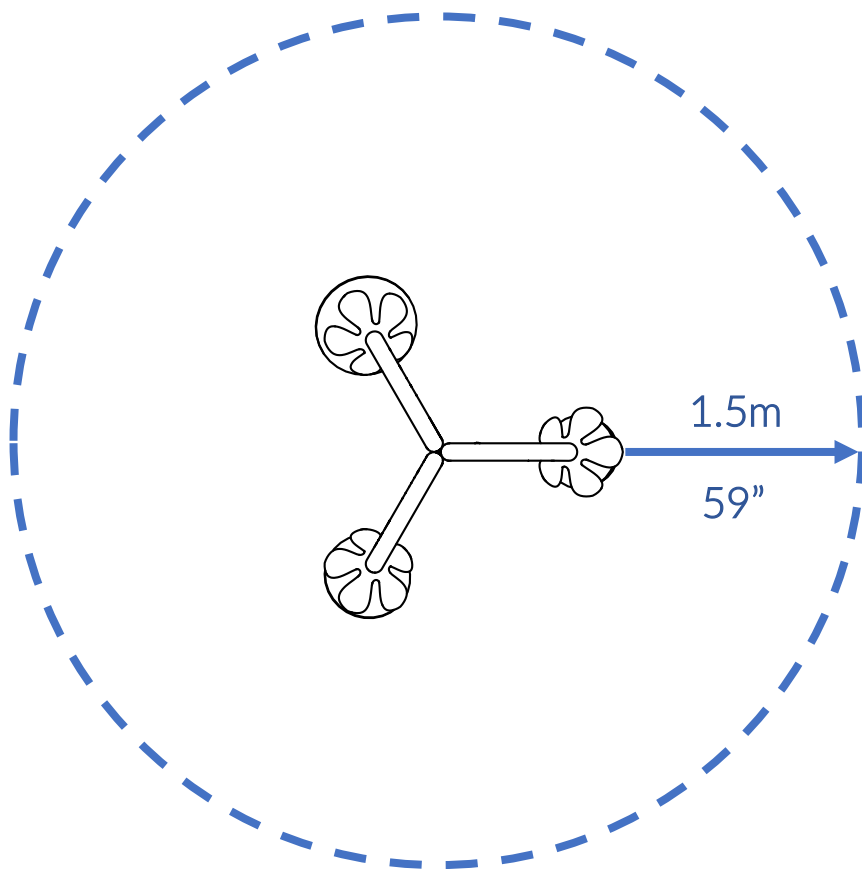


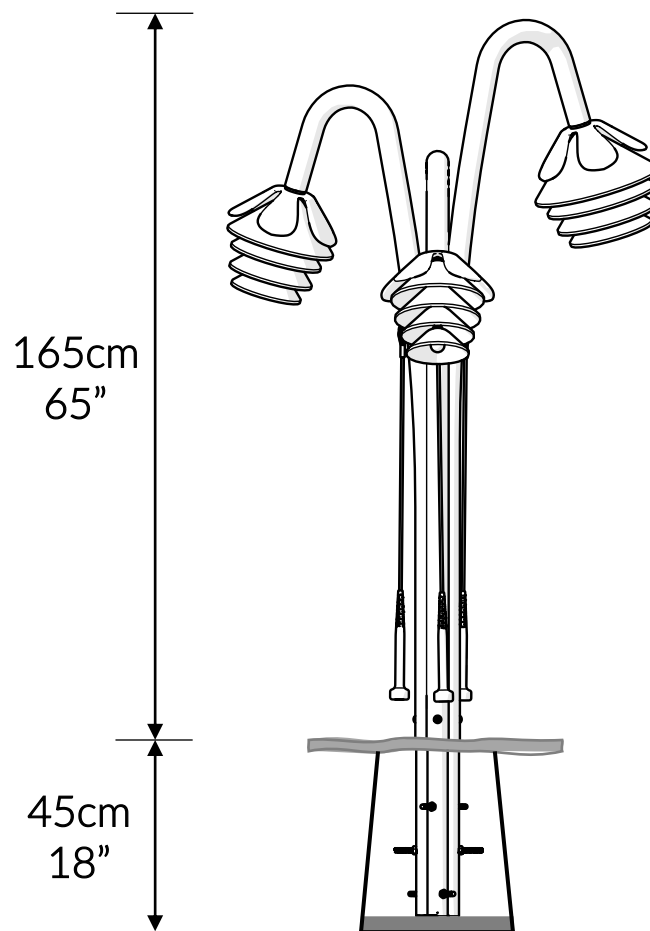
Part Reference	Description
PP-HBBU-MA-GR	Harmony Bells Major Bunch (Set of 3) (Ground Fix)



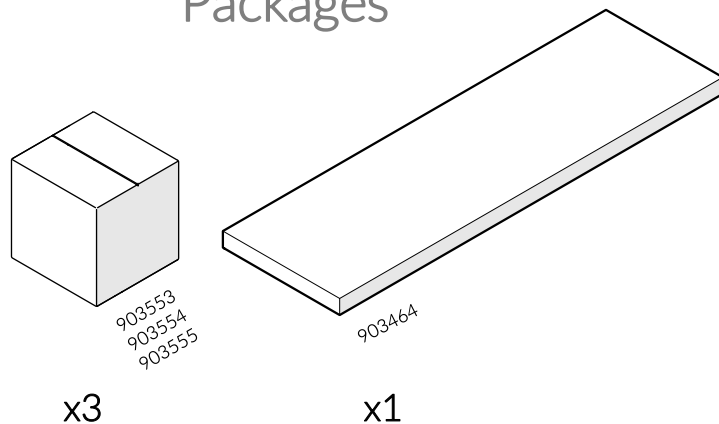




Check Risk Assessment



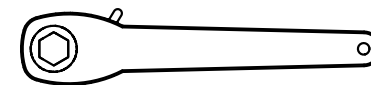
## Packages



		L	W	H	Weight	Net
x1	903553	29cm / 11.5"	28cm / 11"	29cm / 11.5"	3kg / 6.6lbs	
x1	903554	29cm / 11.5"	28cm / 11"	29cm / 11.5"	3kg / 6.6lbs	
x1	903555	29cm / 11.5"	28cm / 11"	29cm / 11.5"	3kg / 6.6lbs	
x1	903464	187cm / 74"	57cm / 22.5"	7cm / 3"	22kg / 48.5lbs	

## Tools required (not supplied)

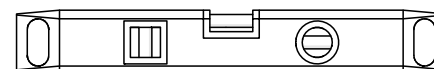
¼" Bit Driver Ratchet



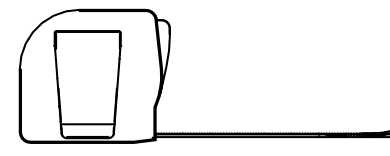
11/16" / 17mm Spanner



Spirit level


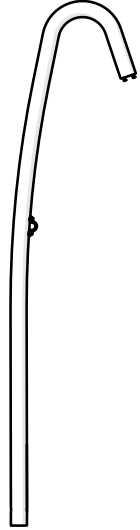
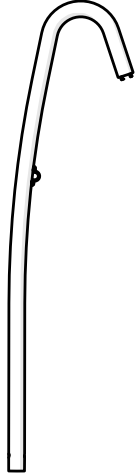
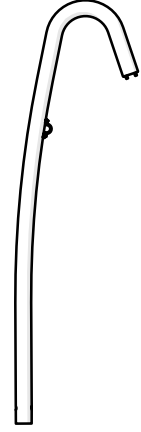
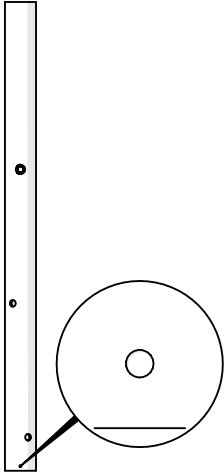
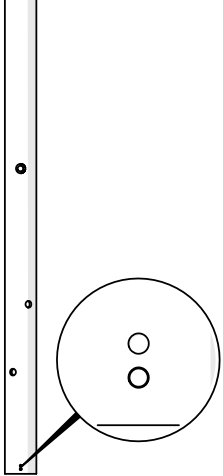
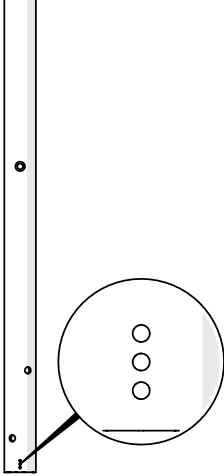


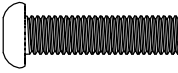
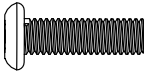
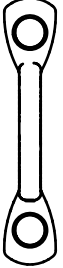
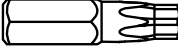



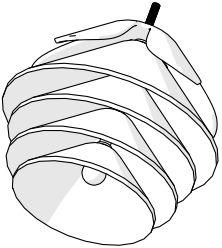
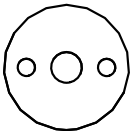

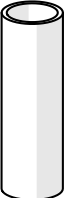
Tape Measure

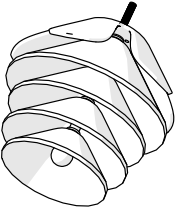
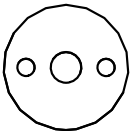




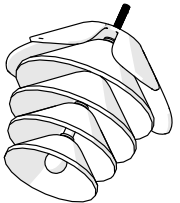
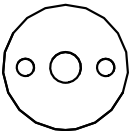

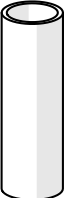
Not to scale

903464

							
<p>(A) x3 500627</p>	<p>(1) x1 803291</p>  <p>(B) x6 500457</p>	<p>(2) x1 803290</p>  <p>(C) x3 501196</p>	<p>(3) x1 803289</p>  <p>(D) x6 500746</p>	<p>(4) x1 603887</p> <p>(5) x1 603888</p> <p>(E) x3 603150</p> 		<p>(6) x1 603889</p>  <p>TX30 x1 500473</p>	<p>(7) x3 900873</p>  <p>TX45 x2 500720</p>

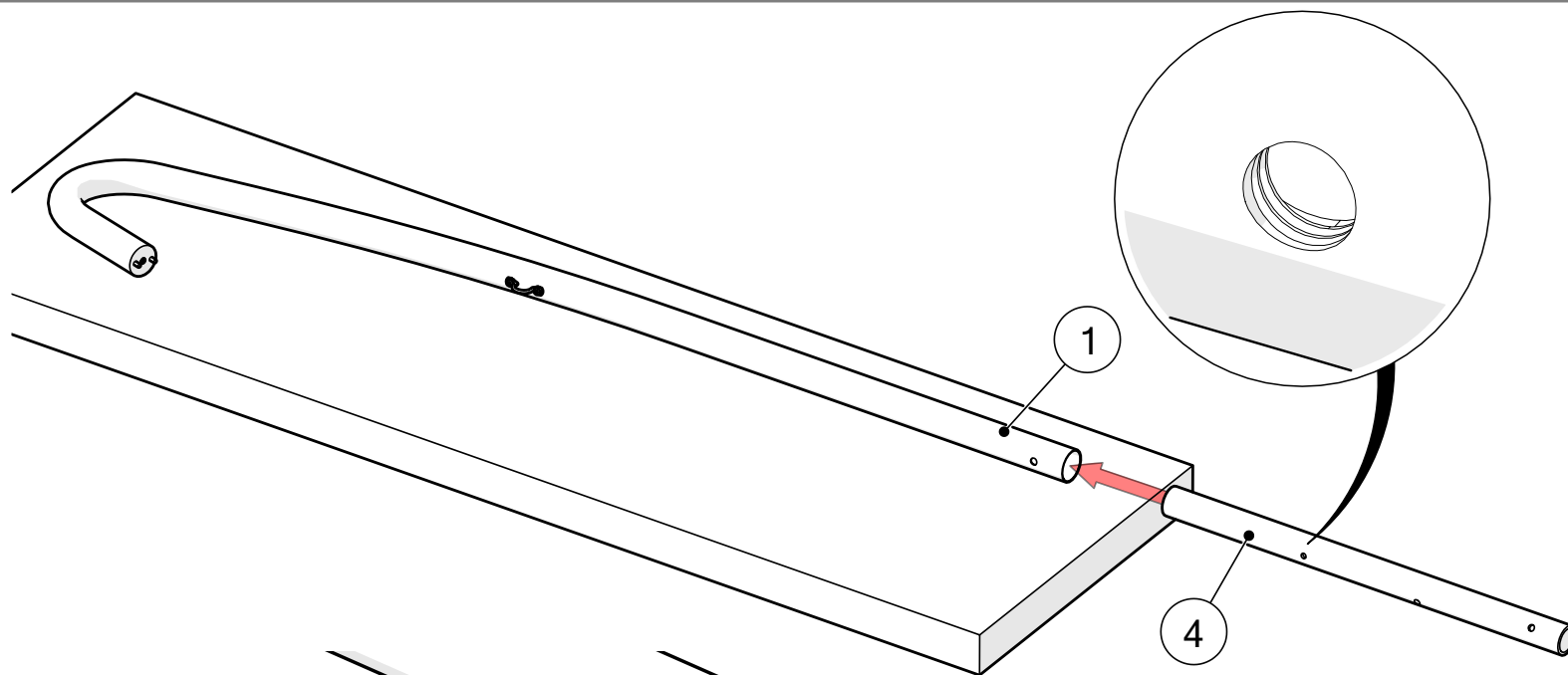
903553	
	
⑧	x1
ⓕ	x1
604362	
ⓖ	x1
504619	
ⓗ	x1
505232	

903554	
	
⑨	x1
ⓕ	x1
604362	
ⓖ	x1
504619	
ⓗ	x1
505232	

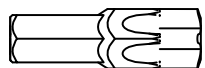
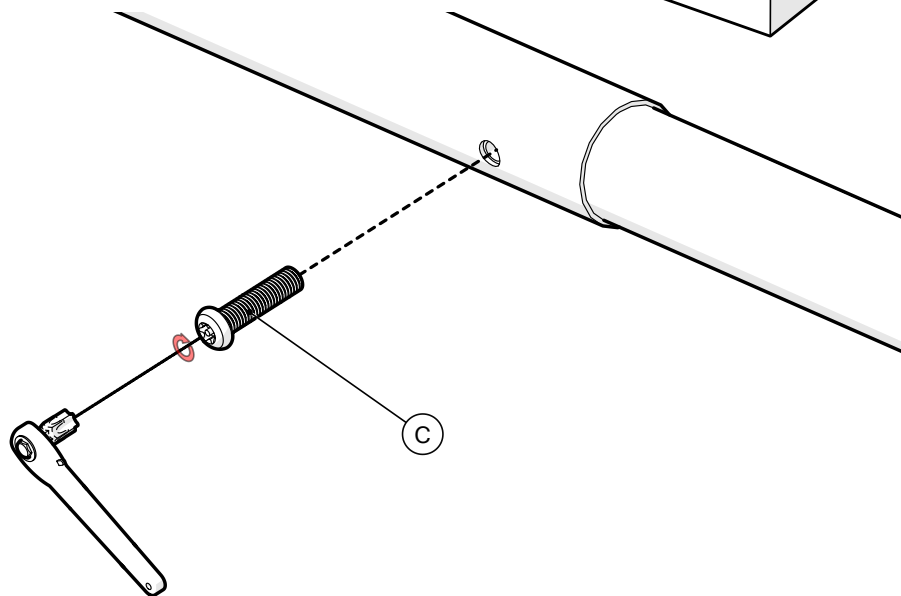
903555	
	
⑩	x1
ⓕ	x1
604362	
ⓖ	x1
504619	
ⓗ	x1
505232	

**1.**

**1.1**



**1.2**



TX45

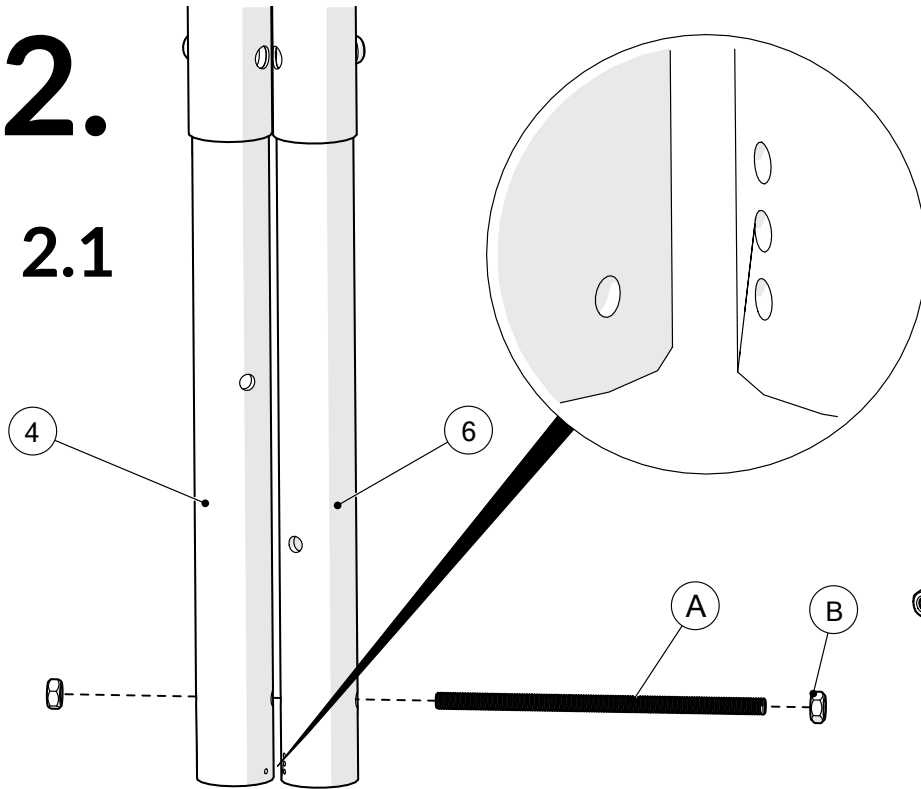
c		x3
---	--	----

**x3**

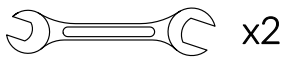
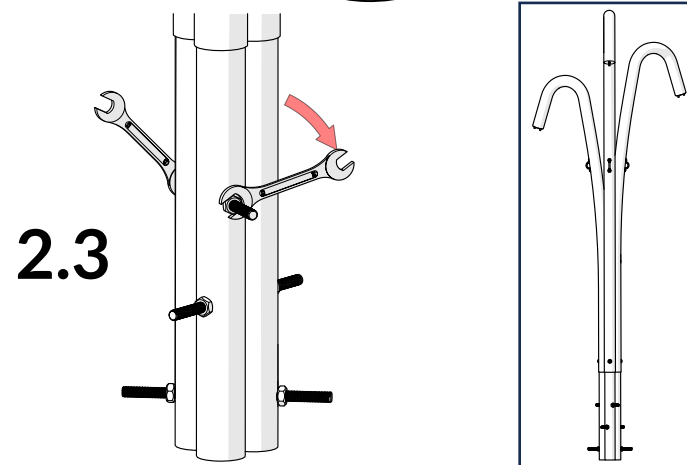
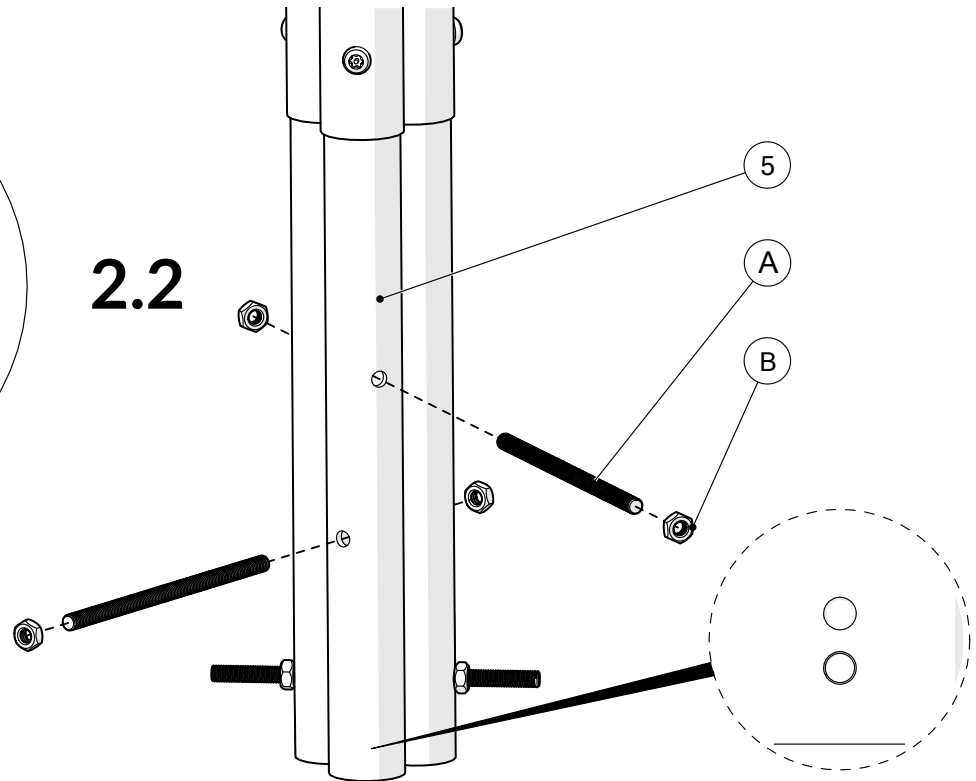
2	+	5
3	+	6

# 2.

## 2.1

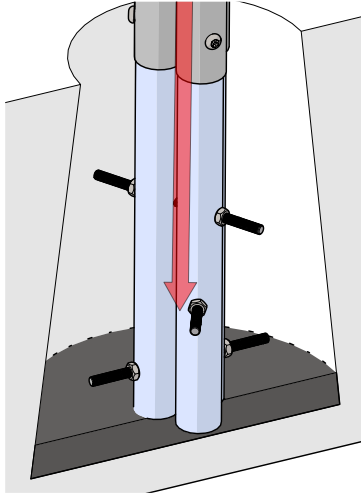


## 2.2

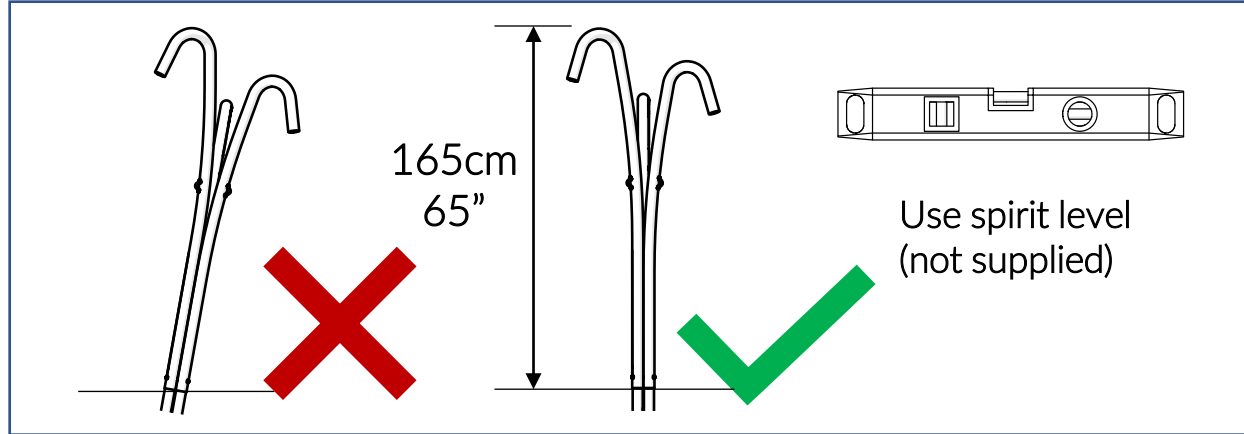


A		x3
B		x6

3.



3.1

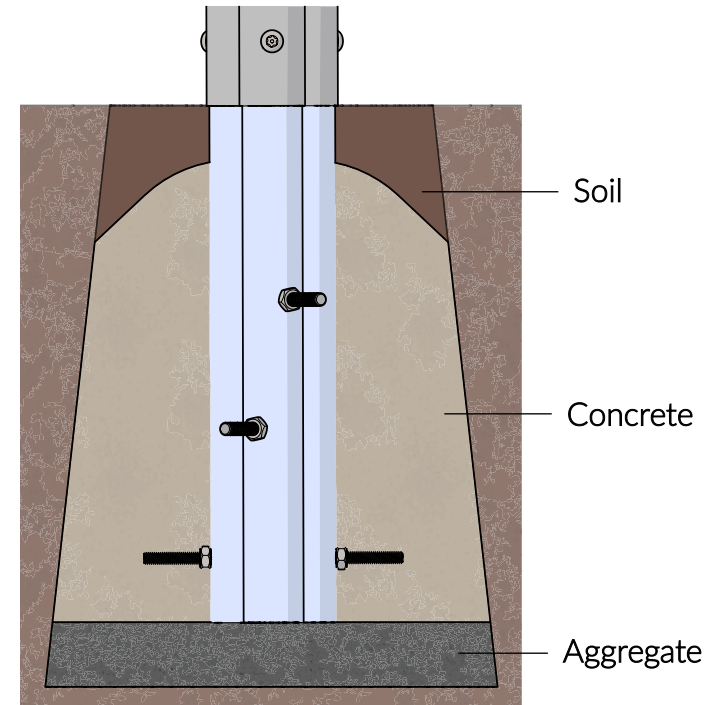
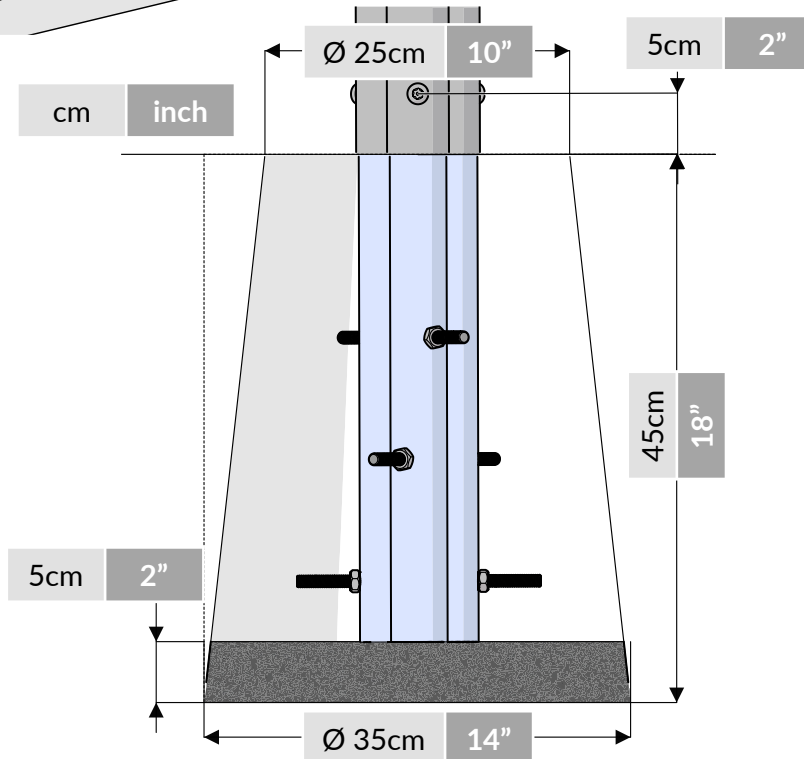


3.2

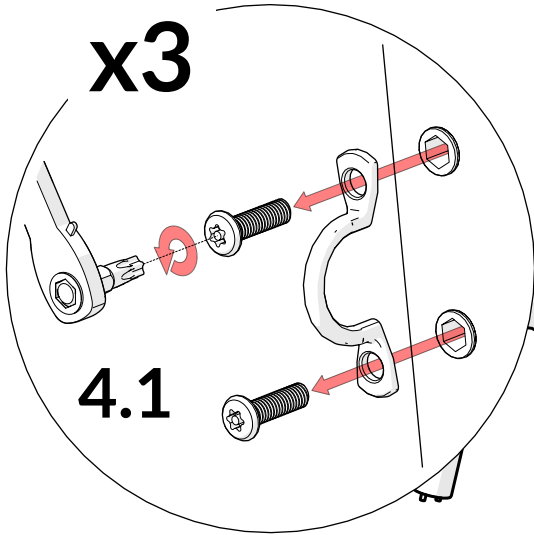


Foundations should not present a hazard

Refer to your local Health & Safety standards

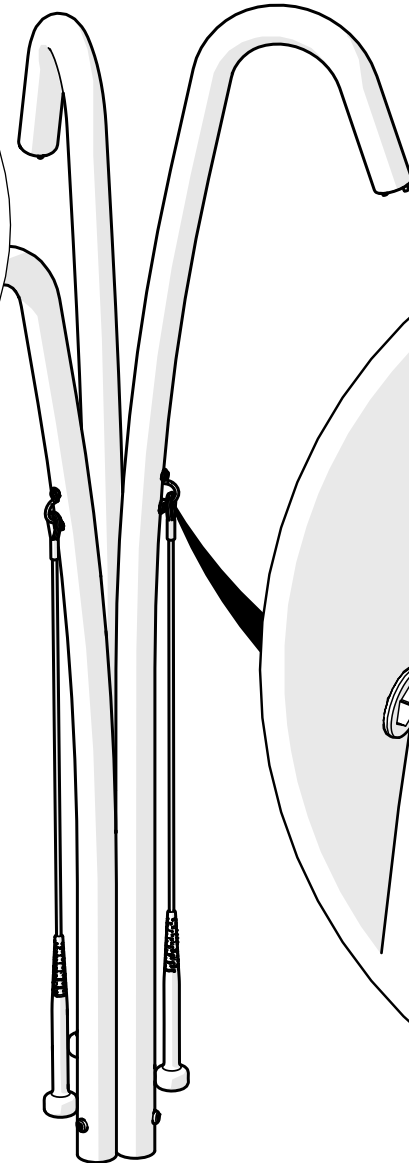


**4.** **x3**



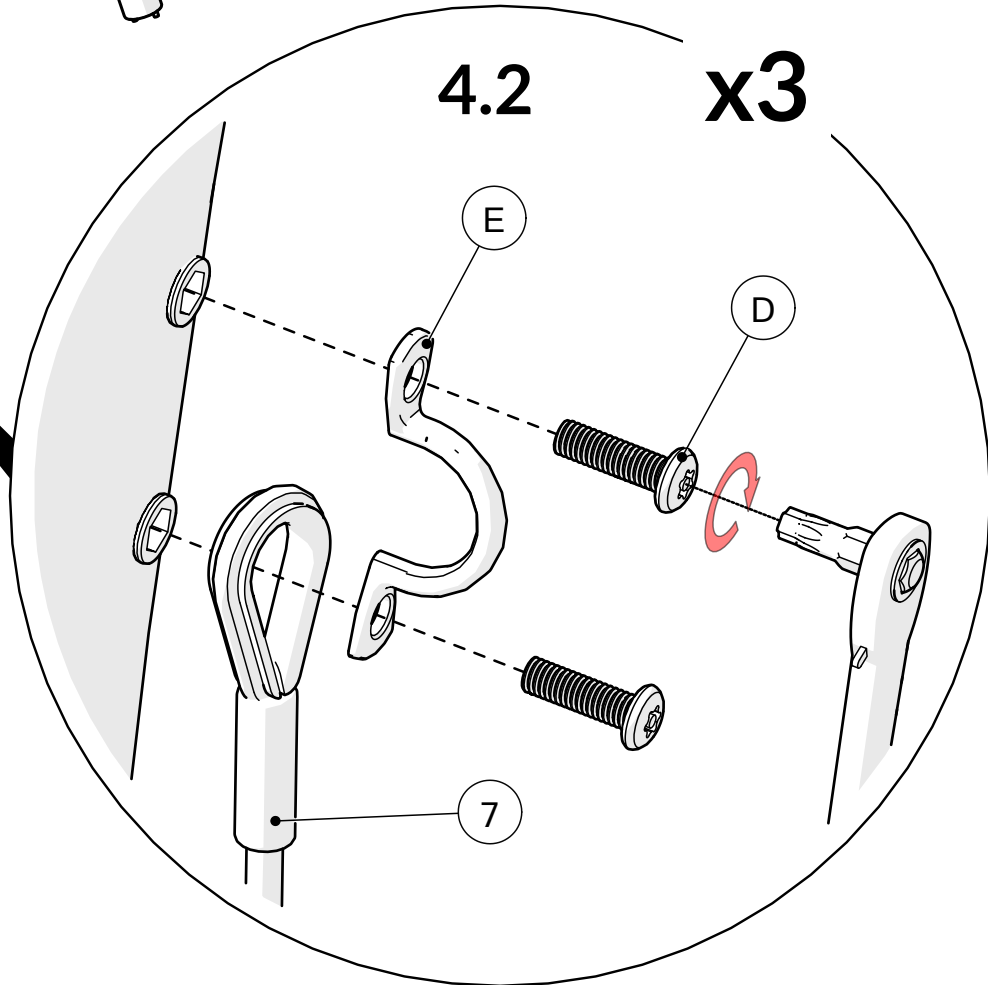
TX30

7		x3
D		x6
E		x3



**4.2**

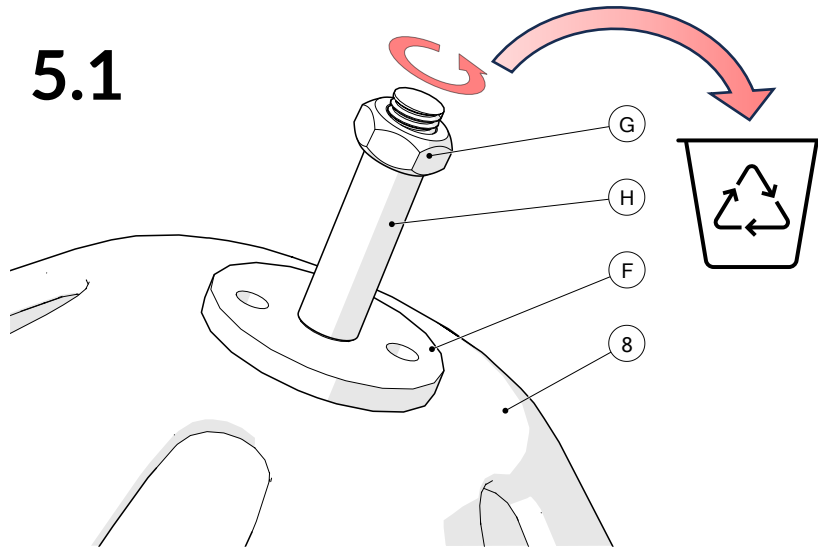
**x3**



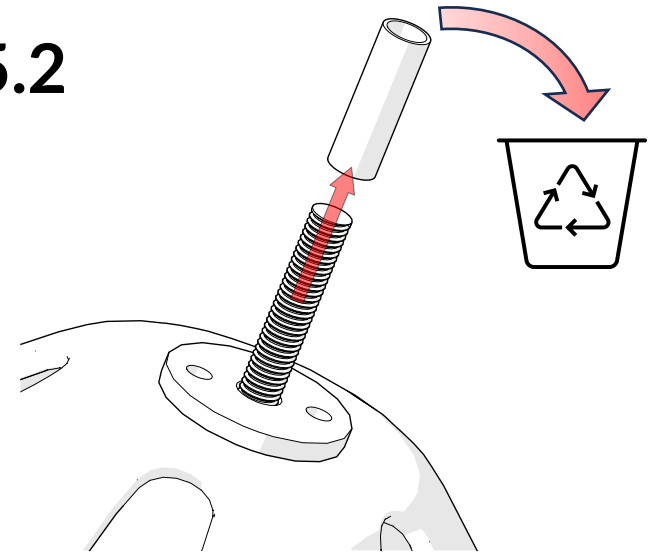
**5.**

**x3**

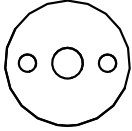

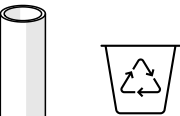
**5.1**

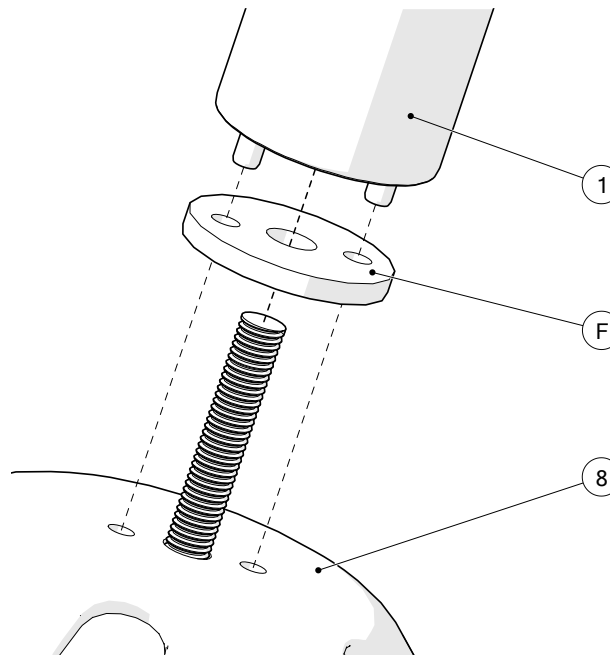


**5.2**

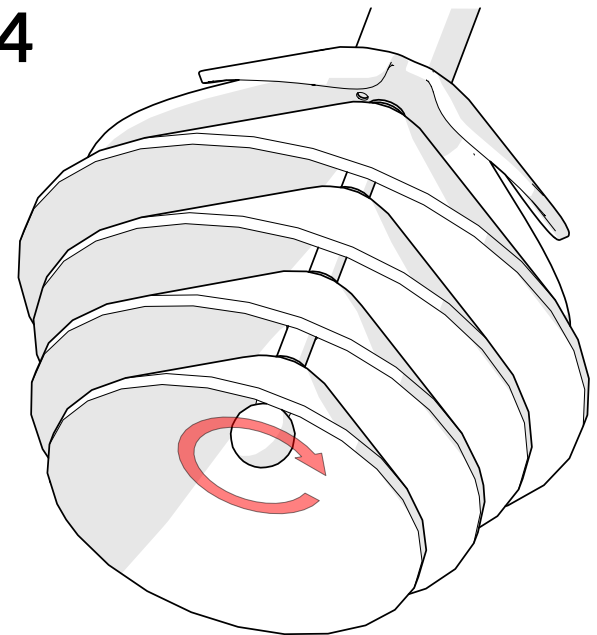


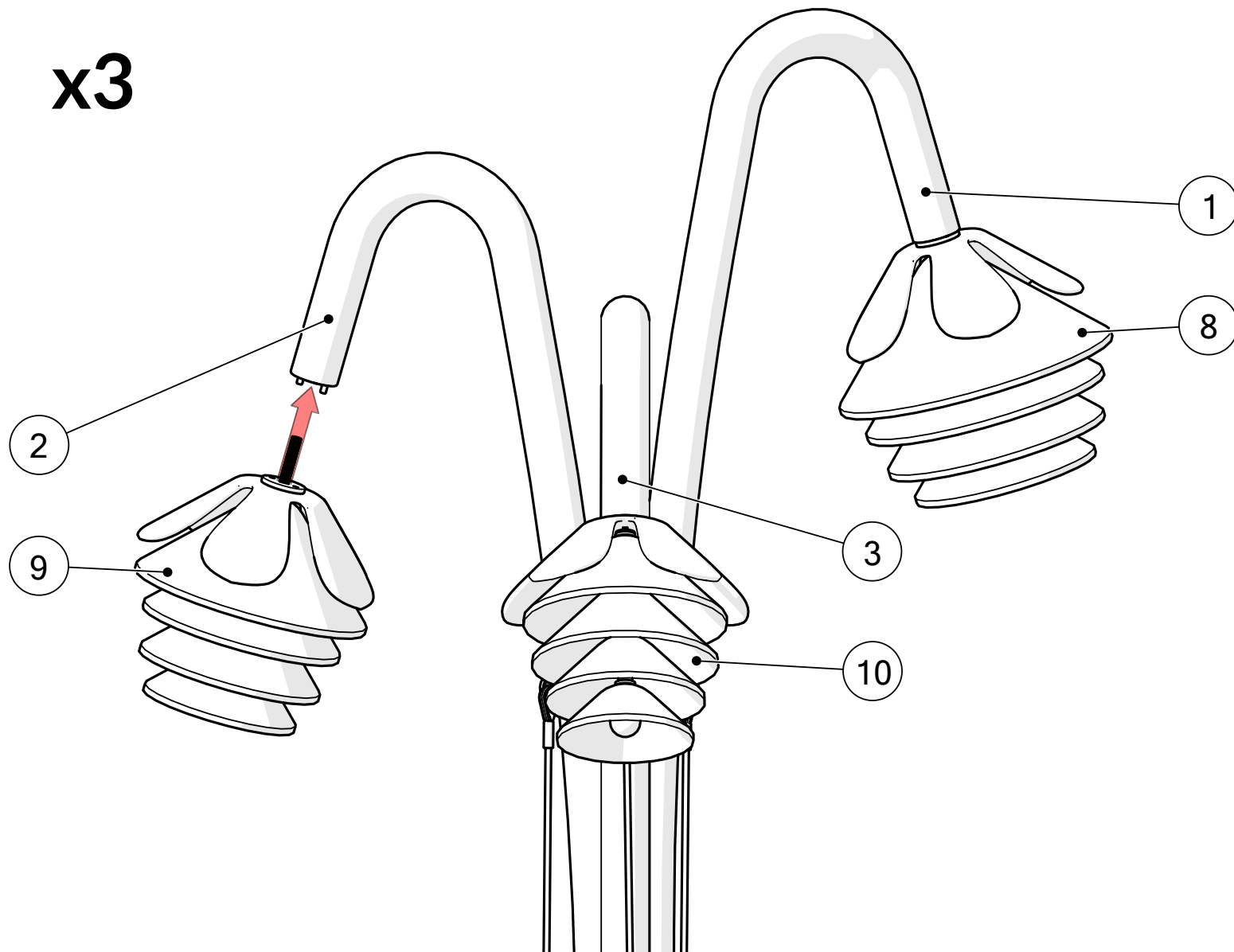
**5.3**

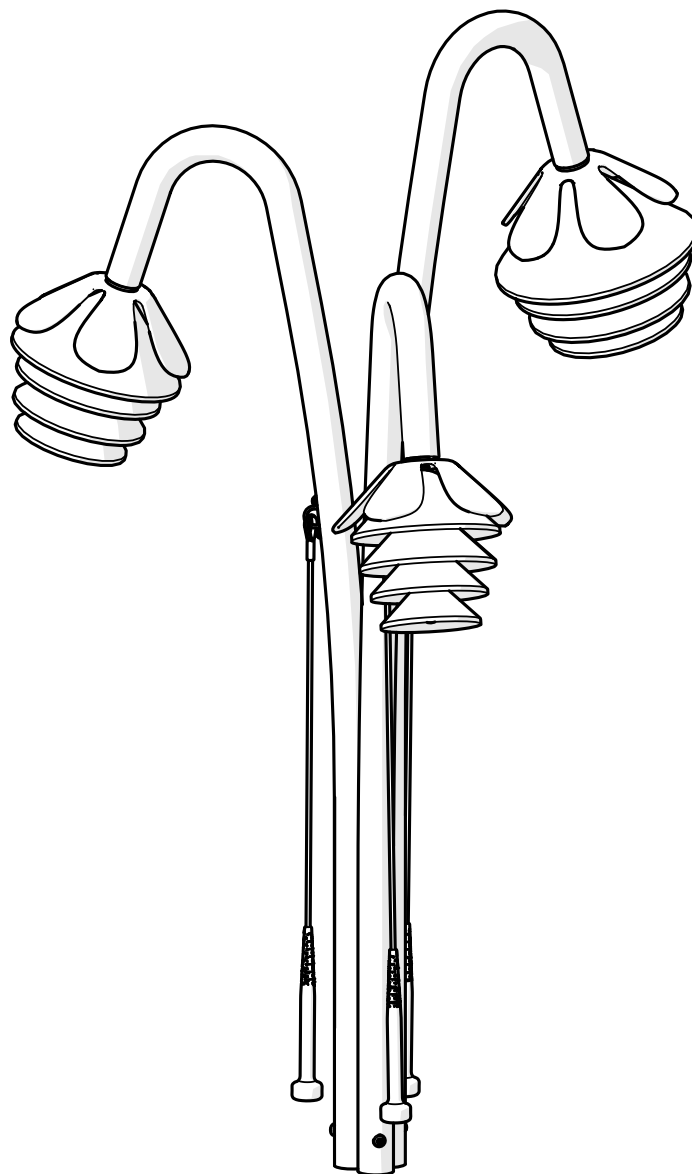
F		x3
G		x3
H		x3



**5.4**







[percussionplay.com](http://percussionplay.com)



[info@percussionplay.com](mailto:info@percussionplay.com)



UK  
[01730 235 180](tel:+441730235180)

USA & CAN  
[+1 \(866\) 882 9170](tel:+18668829170)

EUR & ROW  
[+44 1730 235 180](tel:+441730235180)