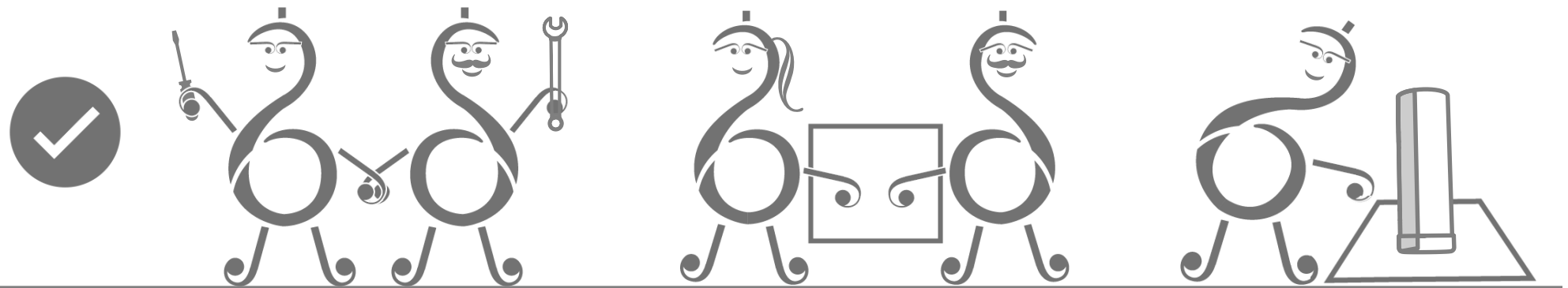
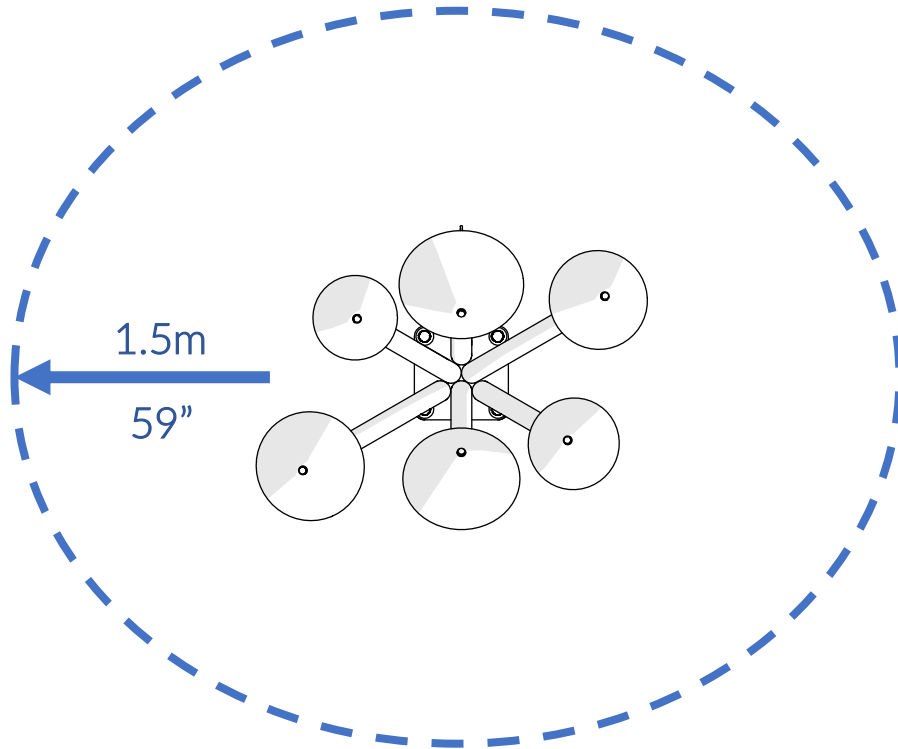


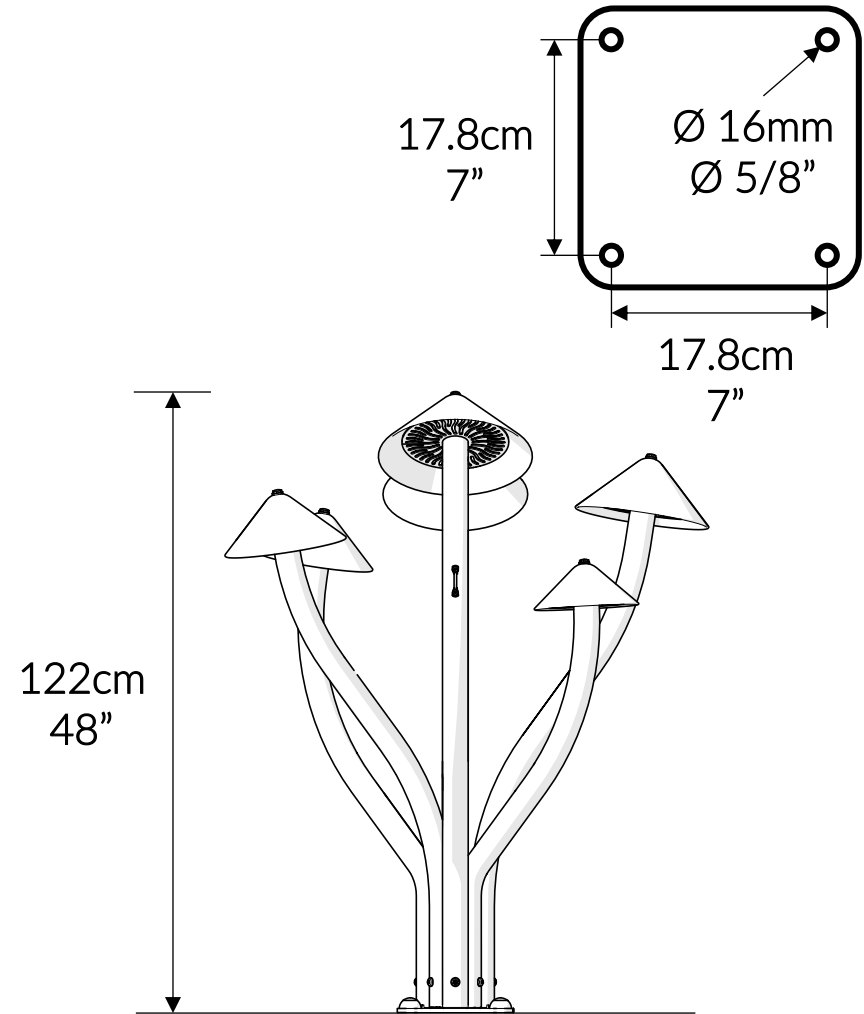
Part Reference	Description
PP-LIBE-S6-SF	Liberty Bells C-Major (Set of 6) (Surface Fix)



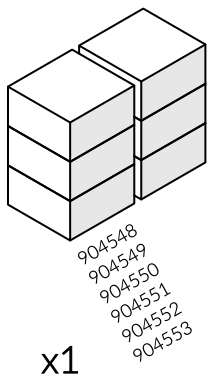




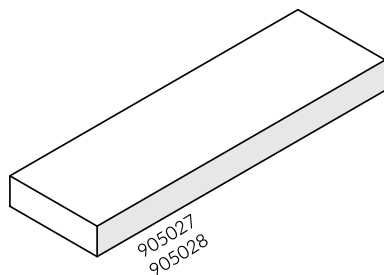
Check Risk Assessment



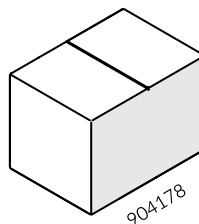
Packages



x1



x2

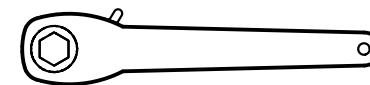


x1

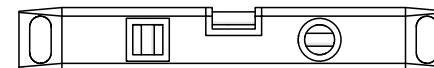
		L	W	H	Weight	Net
x1	904548	32cm / 12.5"	31cm / 12"	17cm / 6.5"	2kg / 4.5lbs	
x1	904549					
x1	904550					
x1	904551					
x1	904552					
x1	904553					
x1	905027	142cm / 56"	43cm / 17"	13cm / 5"	11kg / 24lbs	
x1	905028					
x1	904178	32cm / 12.5"	23cm / 9"	23cm / 9"	12kg / 26.5lbs	

Tools required (not supplied)

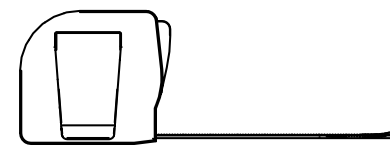
¼" Bit Driver Ratchet



Spirit level



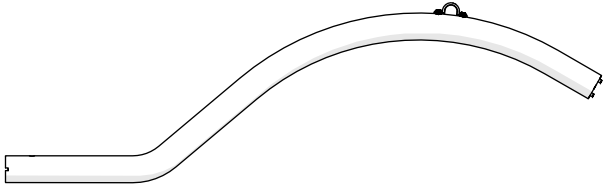
Tape Measure



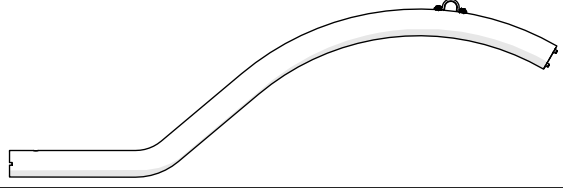
Not to scale

905027

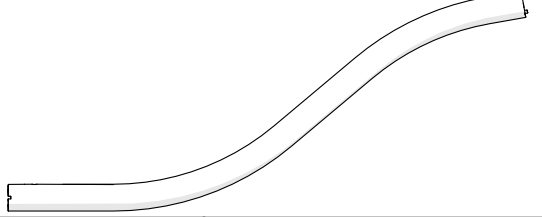
1 x1
805021

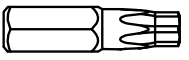

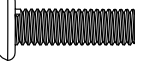
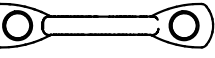
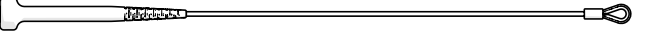


2 x1
805022



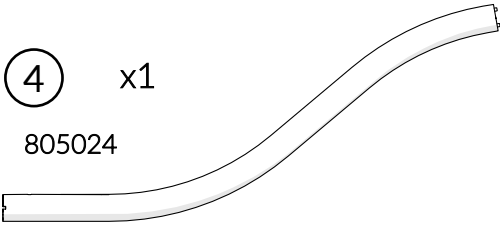
3 x1
805023



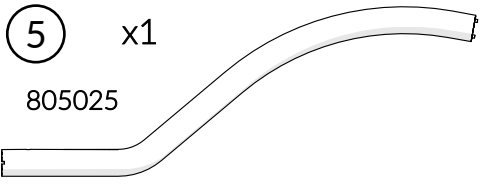
TX30 x1 500473		x1 606003	
B x4 500746		C x2 603150	
8 x4 900873			

905028

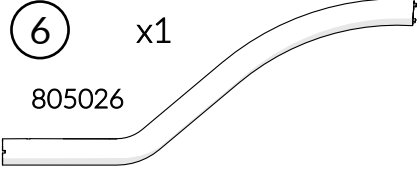
4 x1
805024



5 x1
805025

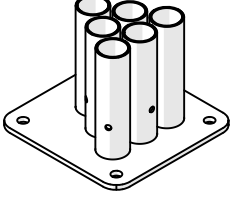


6 x1
805026

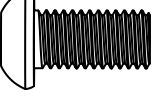


904178


7 x1
804903



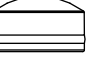
A x6
501203



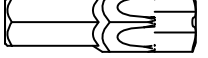
D x4
601543



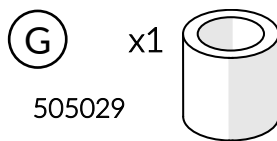
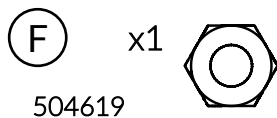
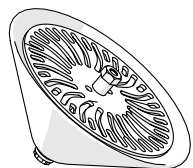
E x4
601542



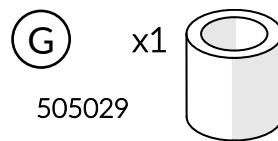
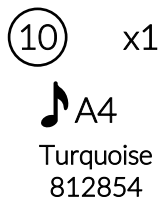
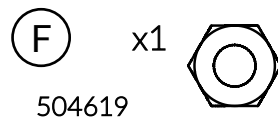
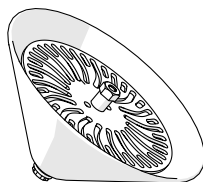
TX45 x1
500720



904548

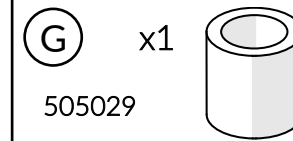
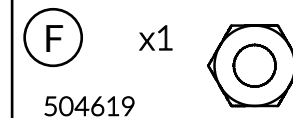
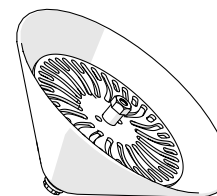


904549

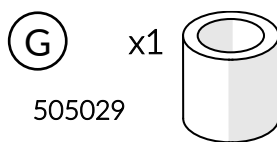
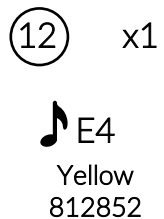
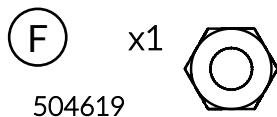
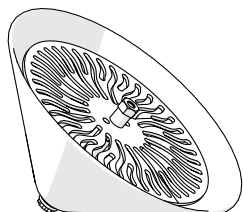


904550

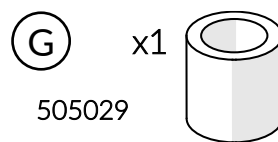
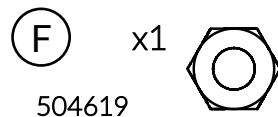
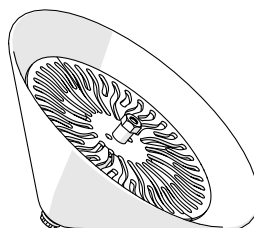
Not to scale



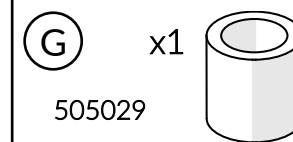
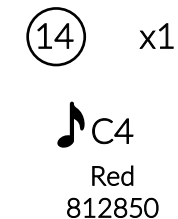
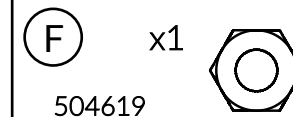
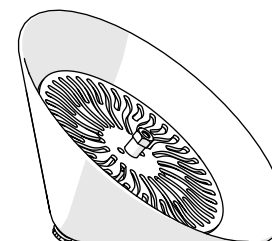
904551



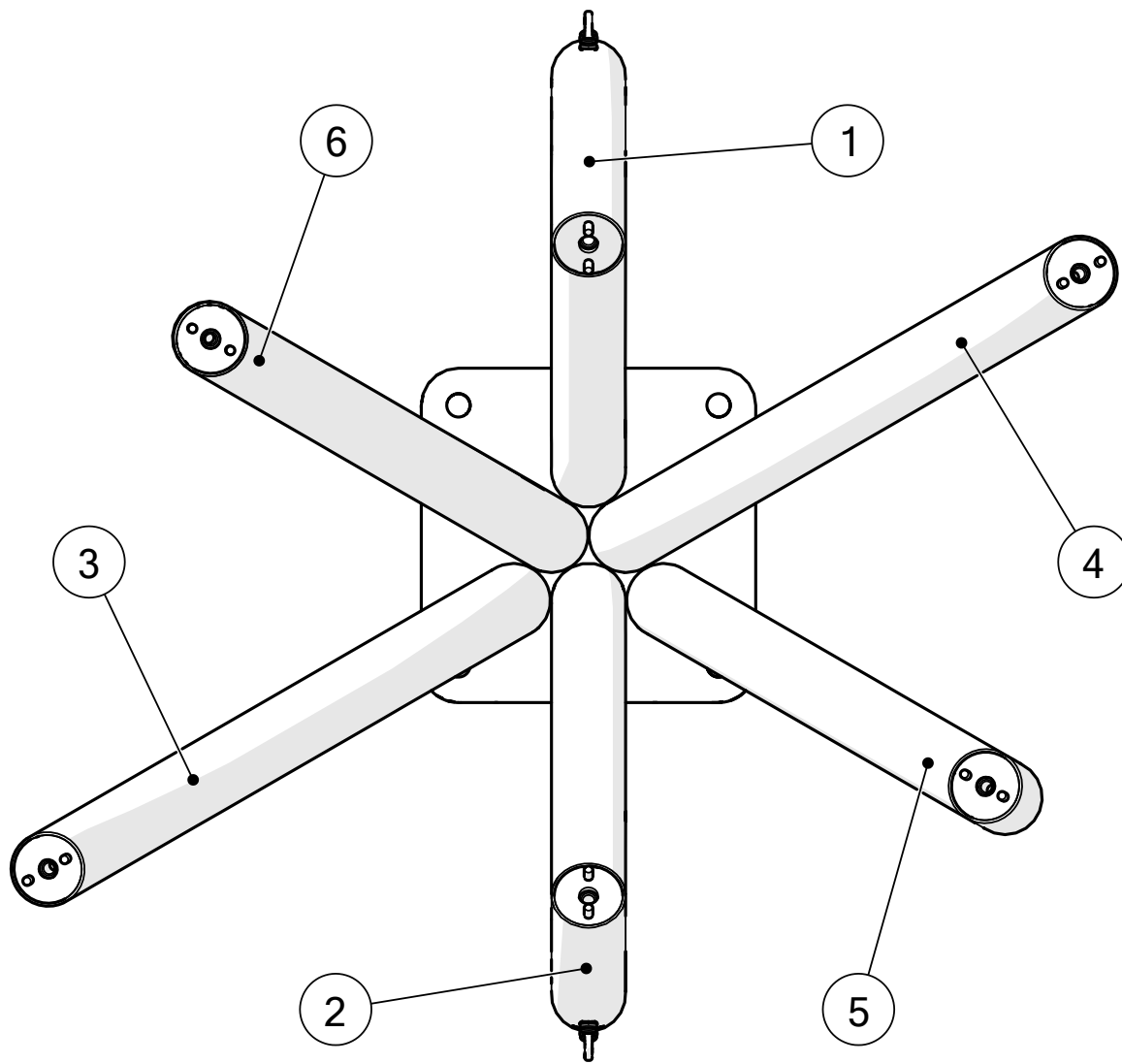
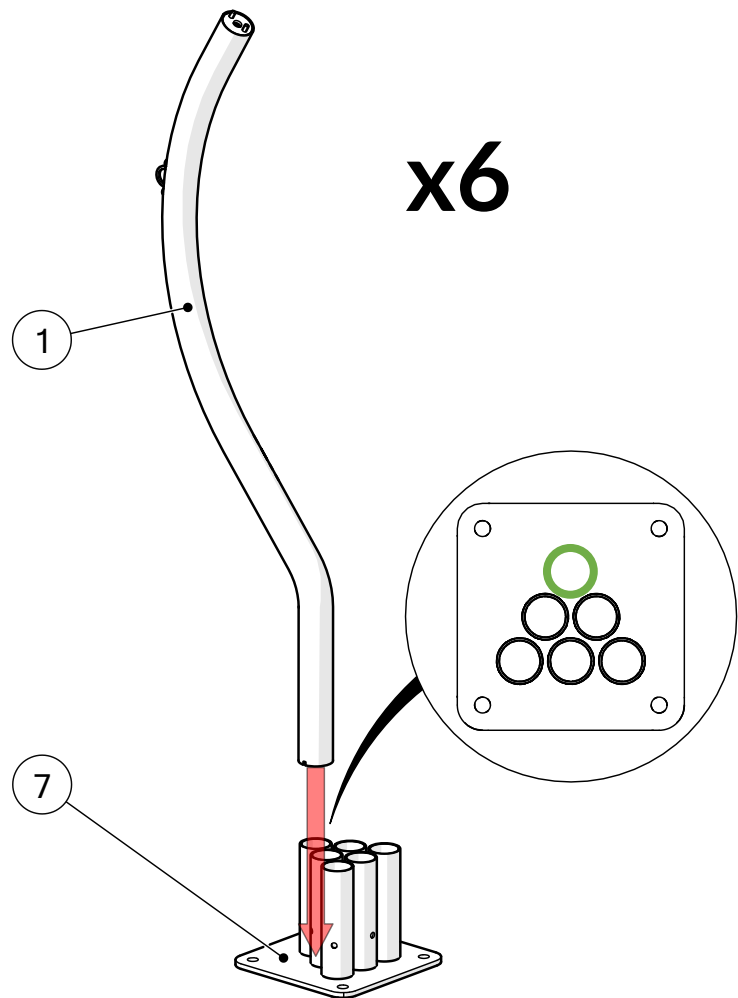
904552



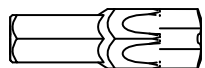
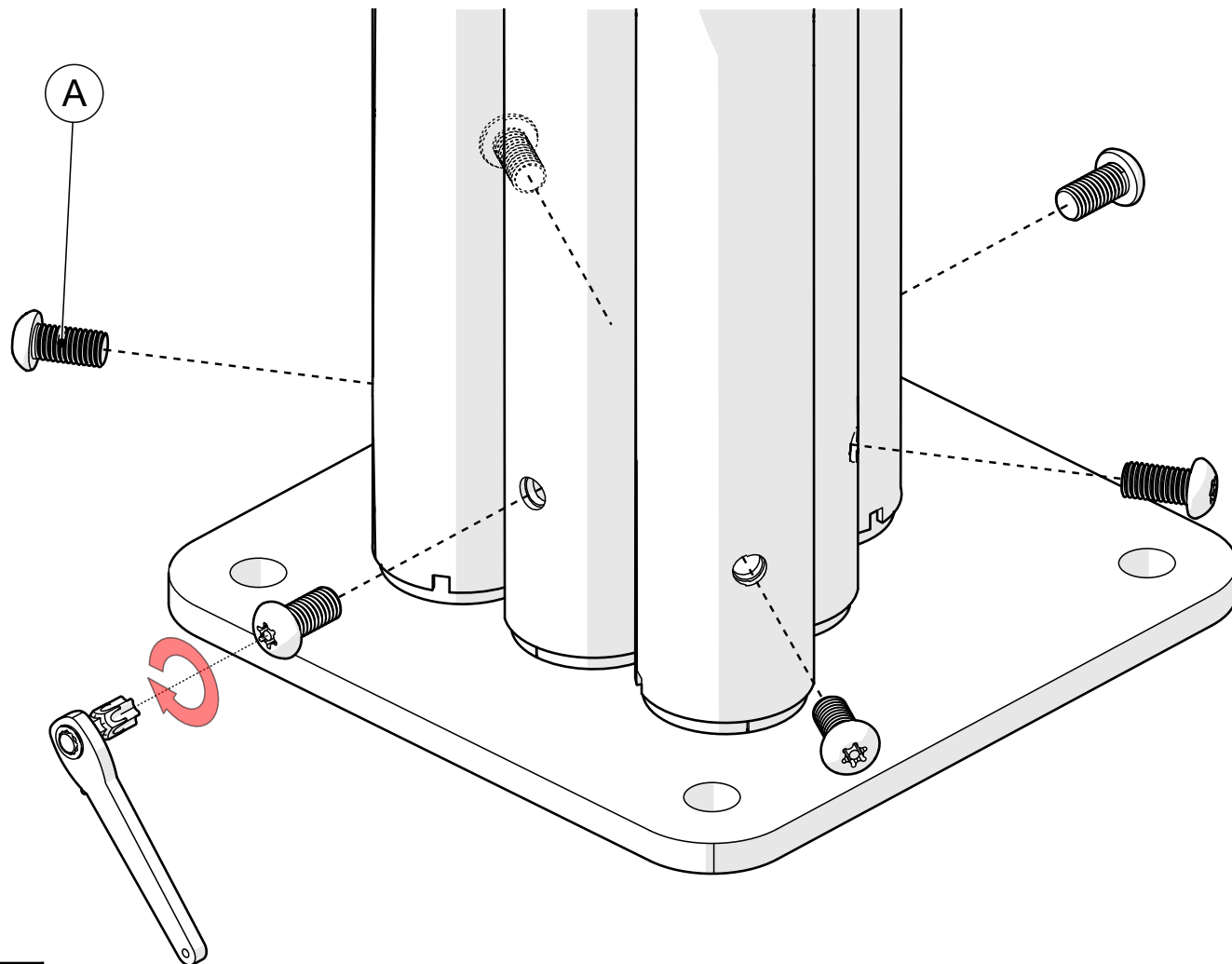
904553



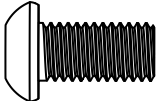
1.



2.



TX45

A		x6
---	---	----

3.



Surface fixing should not present a hazard

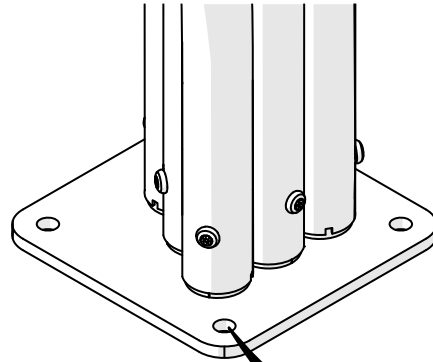
Refer to your local Health & Safety standards

D		x4
E		x4

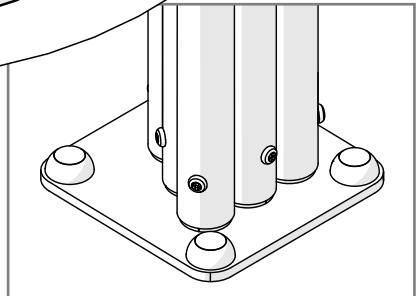
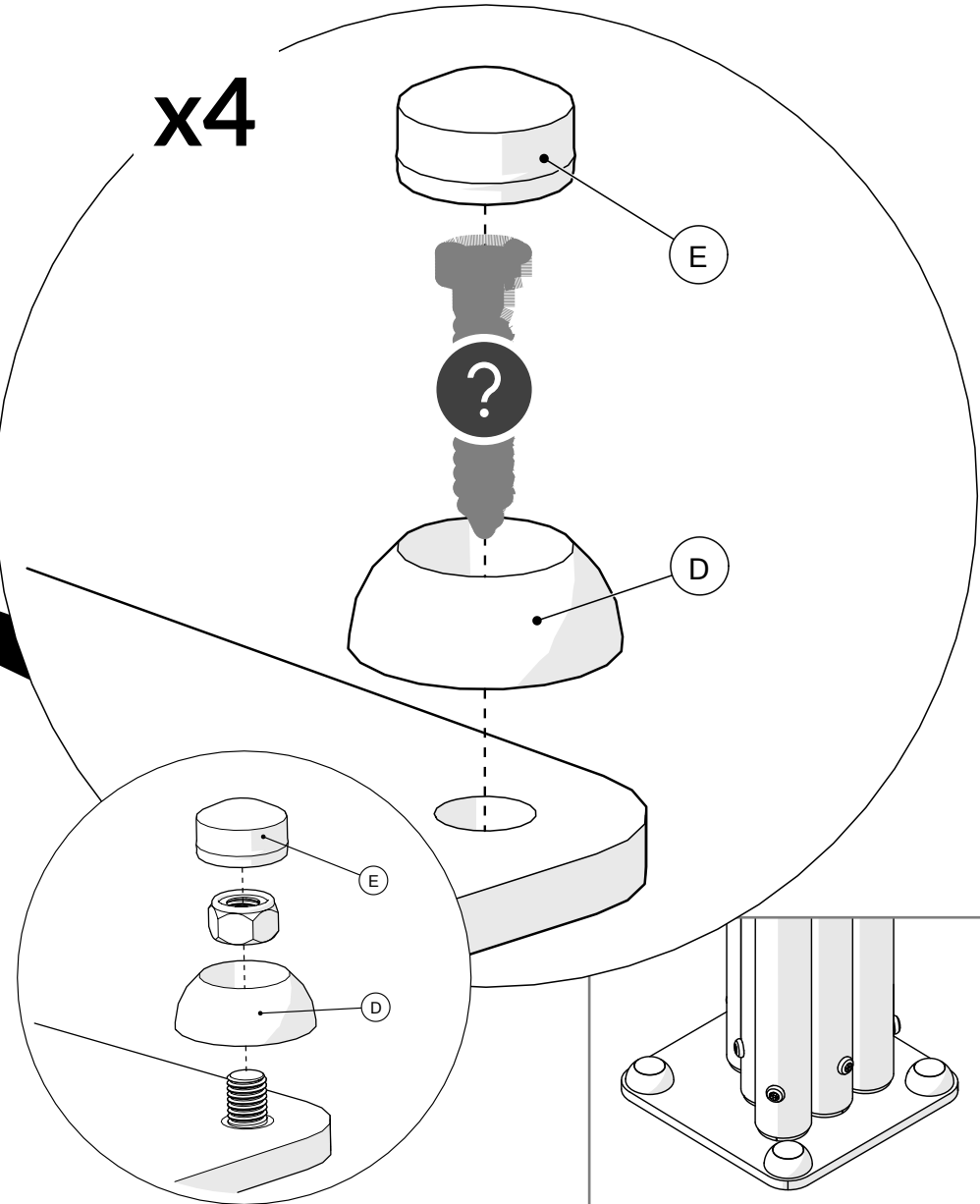
Surface

Example fixing

	Wood		x4
	Concrete		x4
	Brick		x4

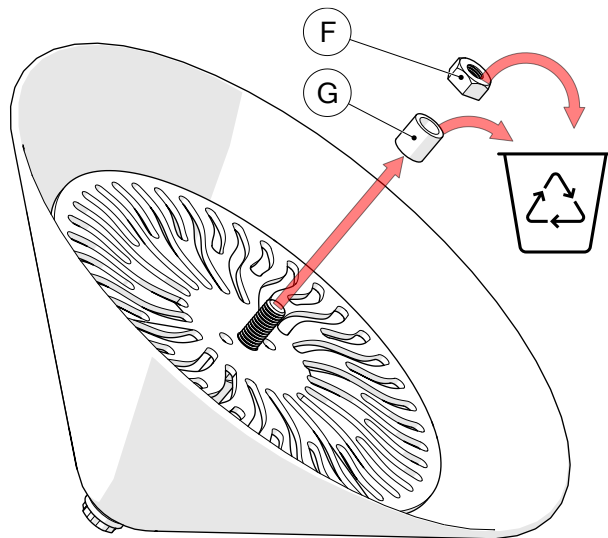


x4

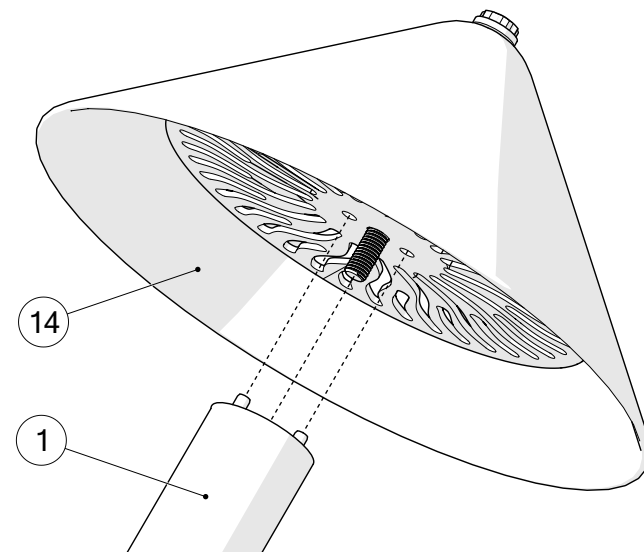


4. x6

4.1



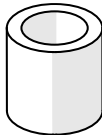



4.2

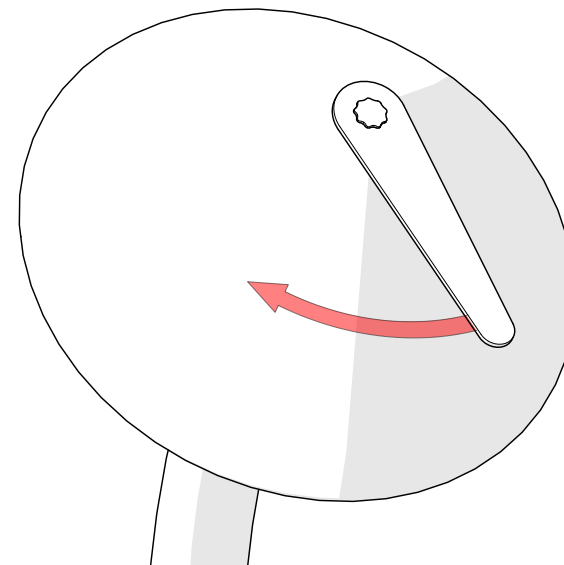
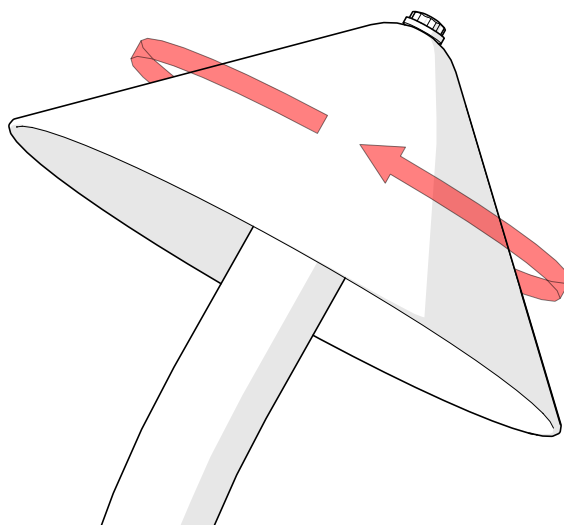


4.3

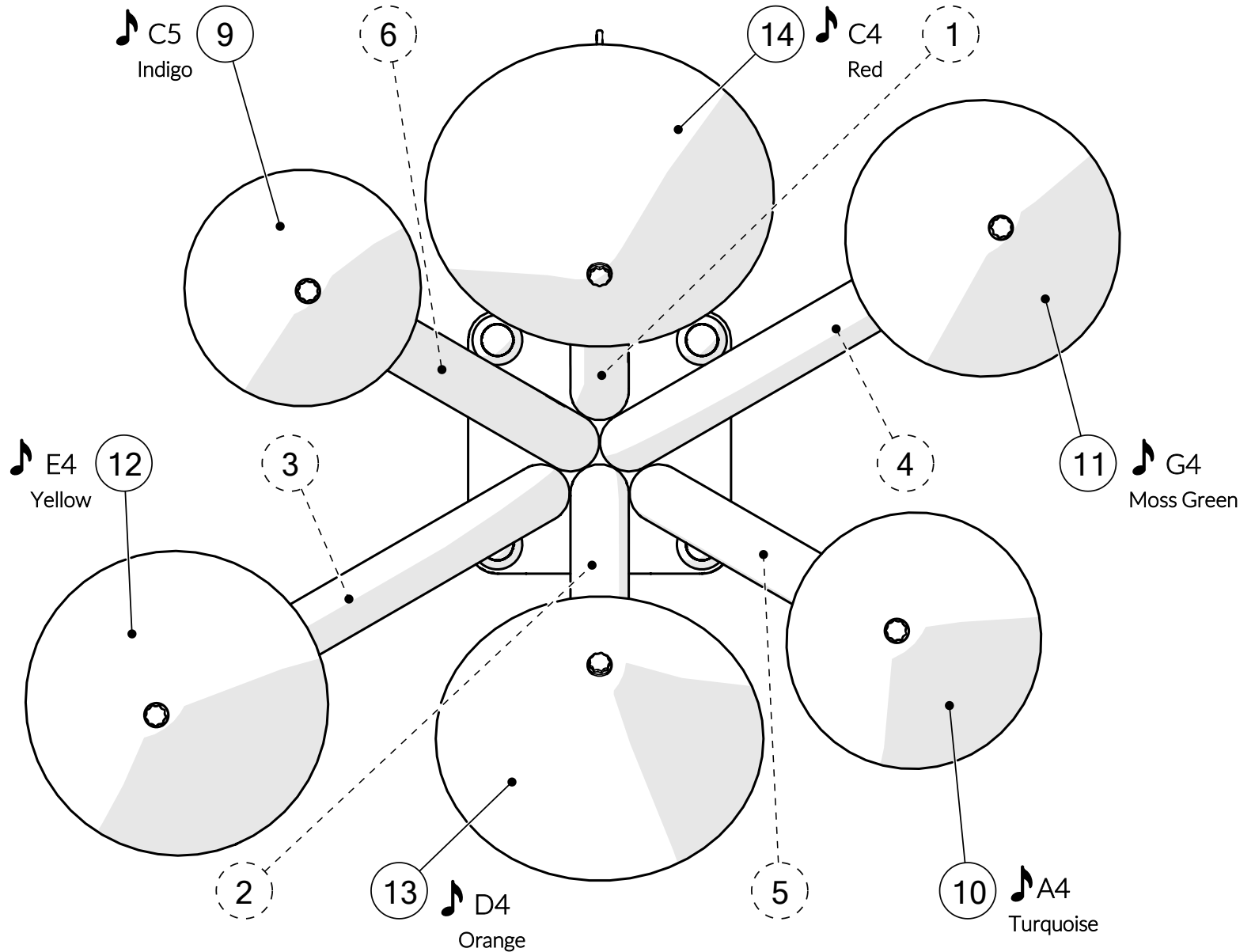


F			x6
G			x6

4.4

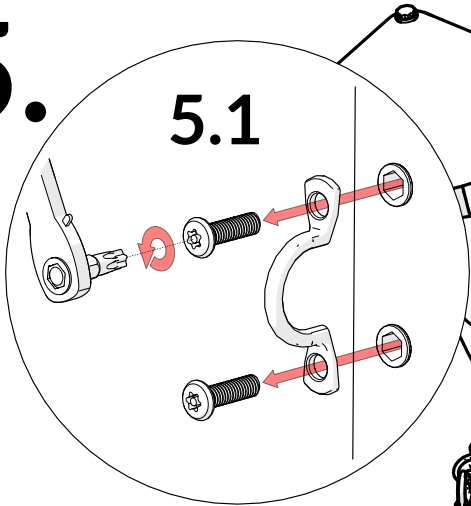


4.5

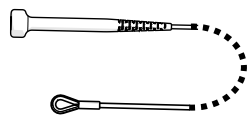

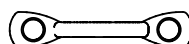


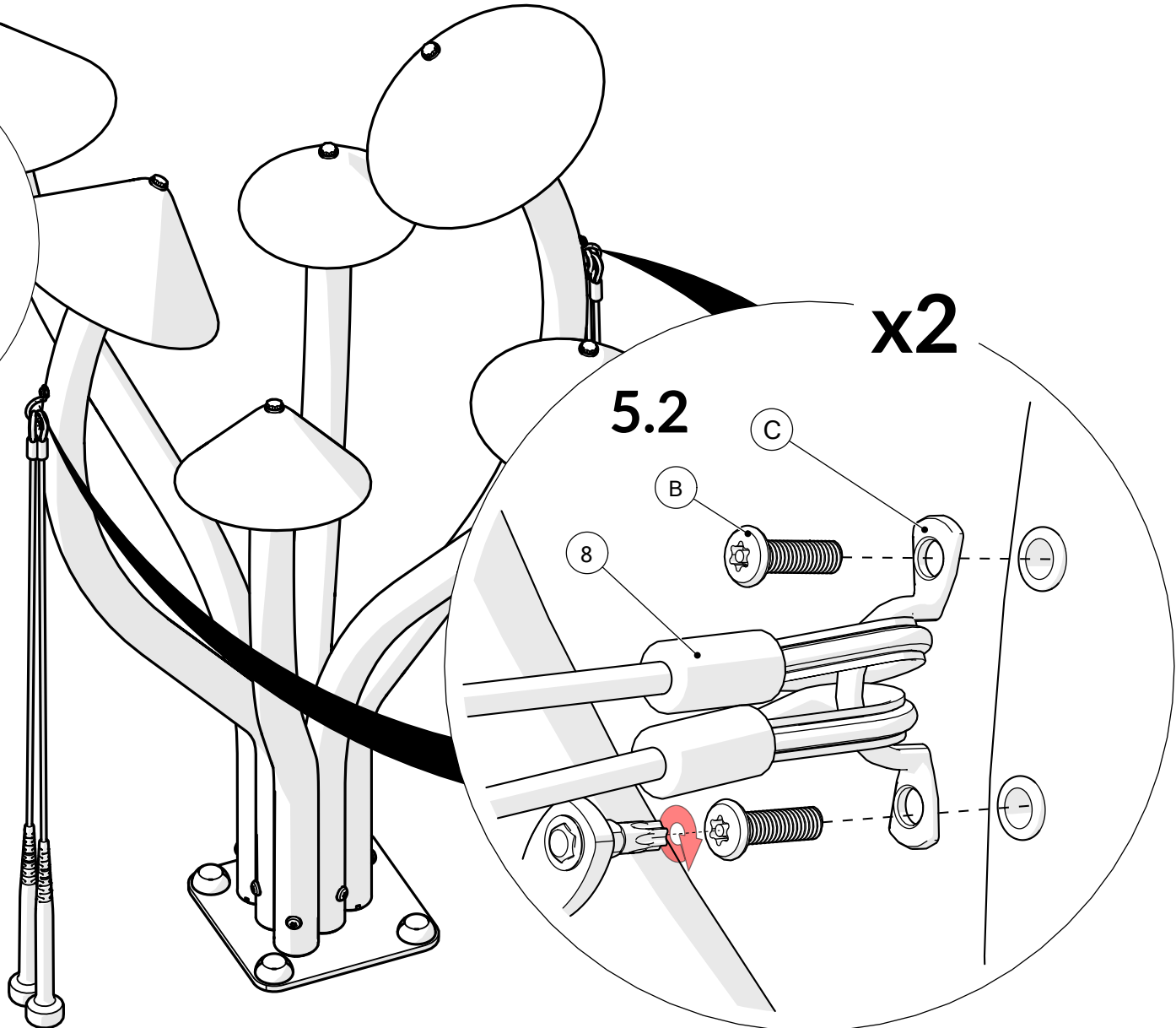
5.

5.1



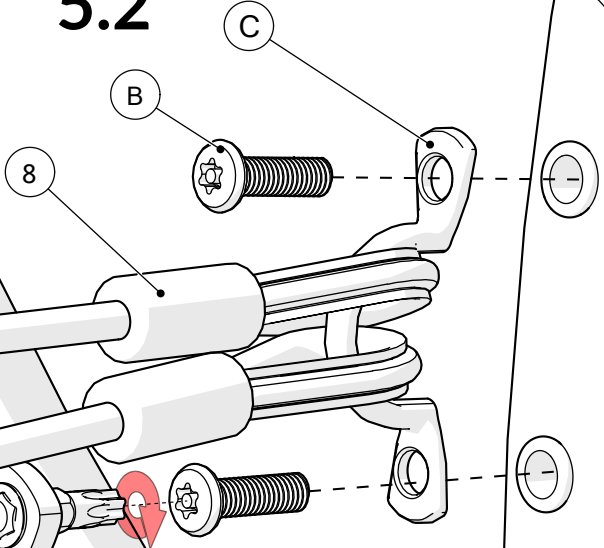
TX30

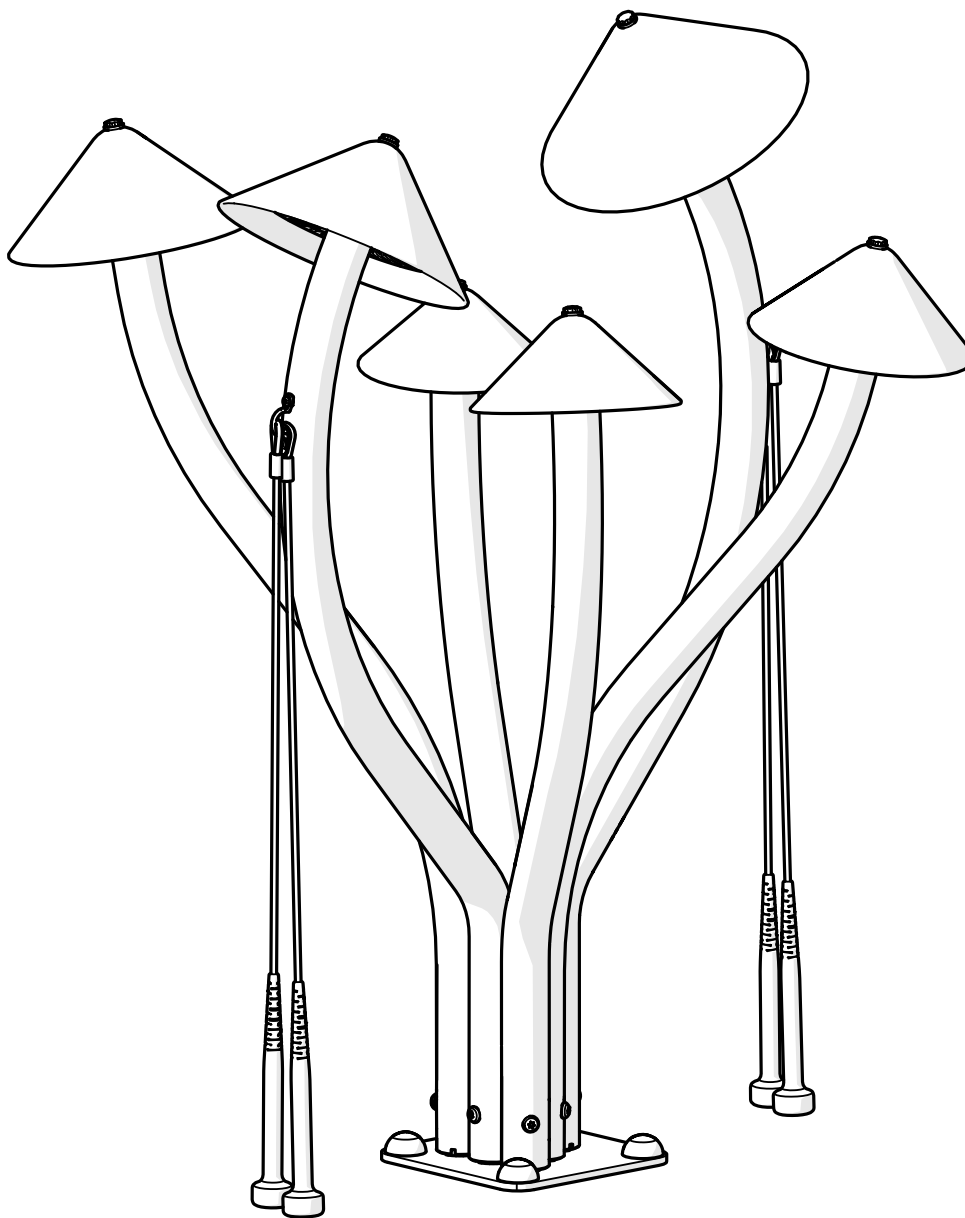
8		x4
B		x4
C		x2



5.2

x2





percussionplay.com



info@percussionplay.com



UK
[01730 235 180](tel:01730235180)

USA & CAN
[+1 \(866\) 882 9170](tel:+18668829170)

EUR & ROW
[+44 1730 235 180](tel:+441730235180)