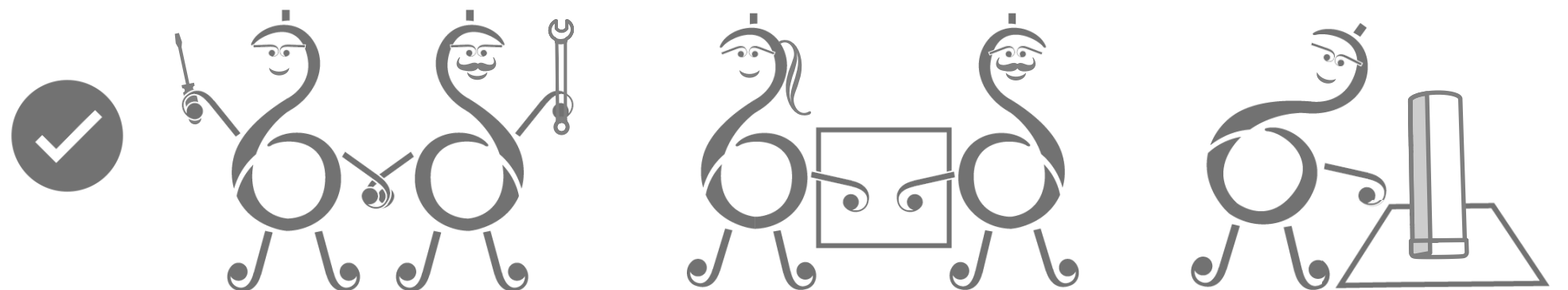
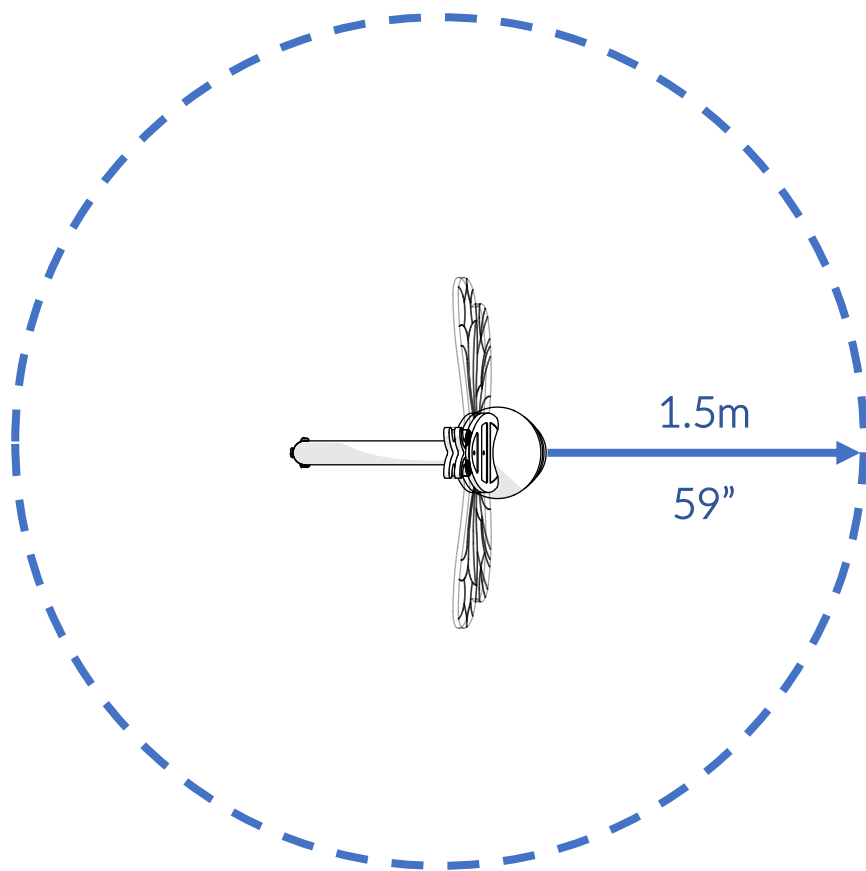


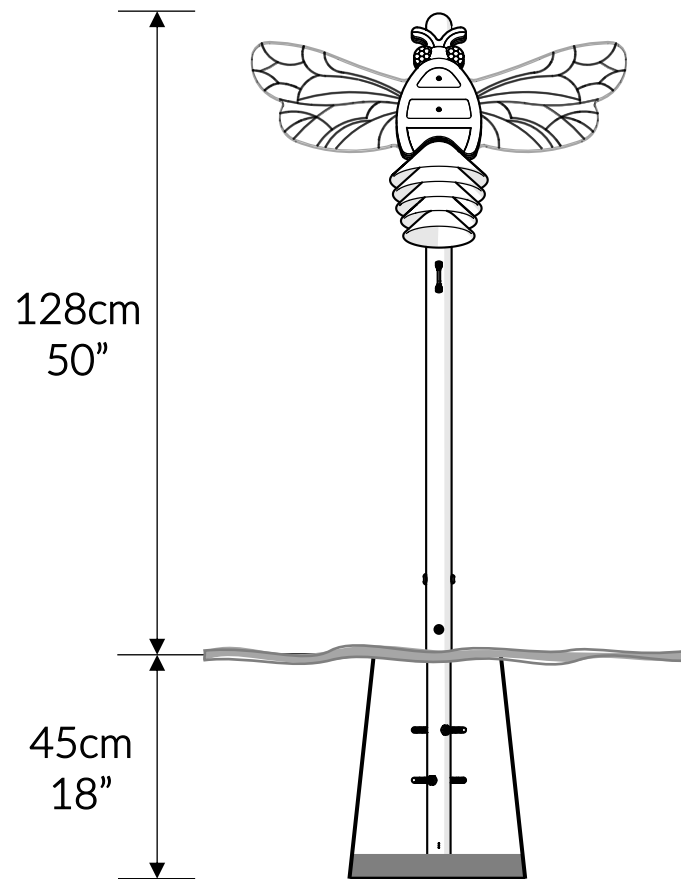
Part Reference	Description
PP-INS-BUMB-GF	Bumblebee (Ground Fix)



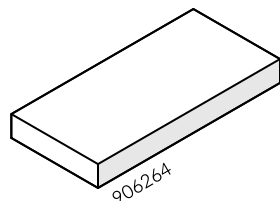




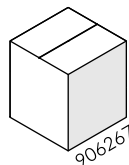
Check Risk Assessment



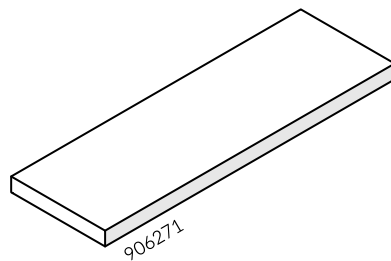
Packages



x1



x1

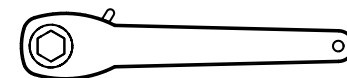


x1

		L	W	H	Weight	Net
x1	906264	79cm / 31"	37.5cm / 15"	9cm / 3.5"	3kg / 6.6lbs	3kg / 6.6lbs
x1	906267	25cm / 10"	22cm / 9"	22cm / 9"	2.5kg / 5.5lbs	2kg / 4.4lbs
x1	906271	148cm / 50"	48cm / 6"	7cm / 2"	7kg / 15.5lbs	6.5kg / 14lbs

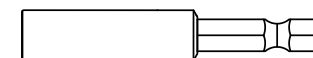
Tools required (not supplied)

¼" Bit Driver Ratchet

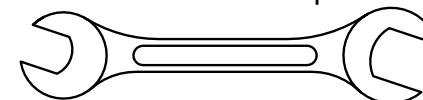


x2

¼" hex adapter

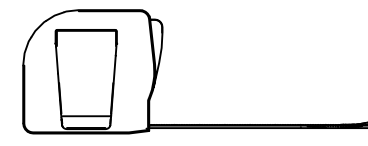


11/16" / 17mm Spanner

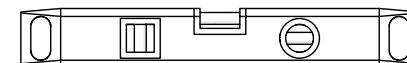


x2

Tape Measure

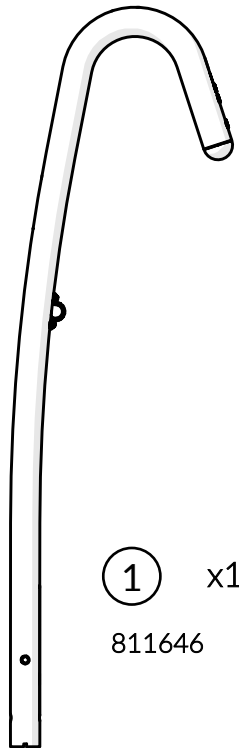


Spirit level

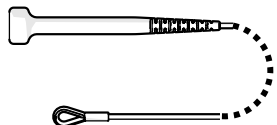


Not to scale

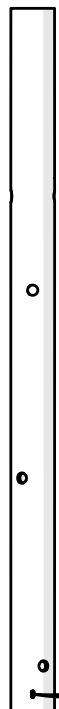
906271



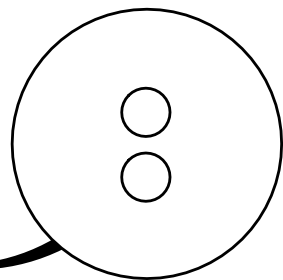
1 x1
811646



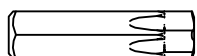
5 x2
906293



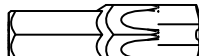
2 x1
603888



TX30 x1
500473

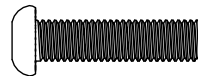


TX40 x1
500474

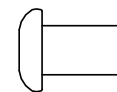


TX45 x2
500720

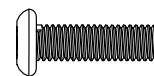
A x2
501196



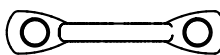
B x2
500613



E x2
500746



F x1
603150

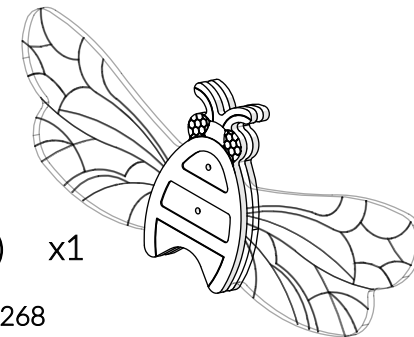


C x2
500627

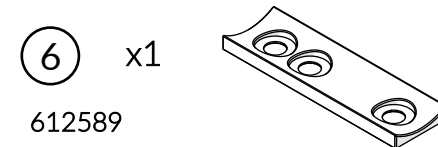


D x4
500457

906264

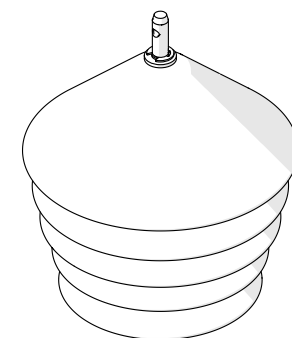


3 x1
812268



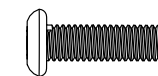
6 x1
612589

906267



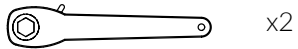
4 x1
811659

E x1
500746

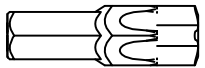


1.

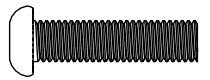
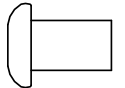
1.1

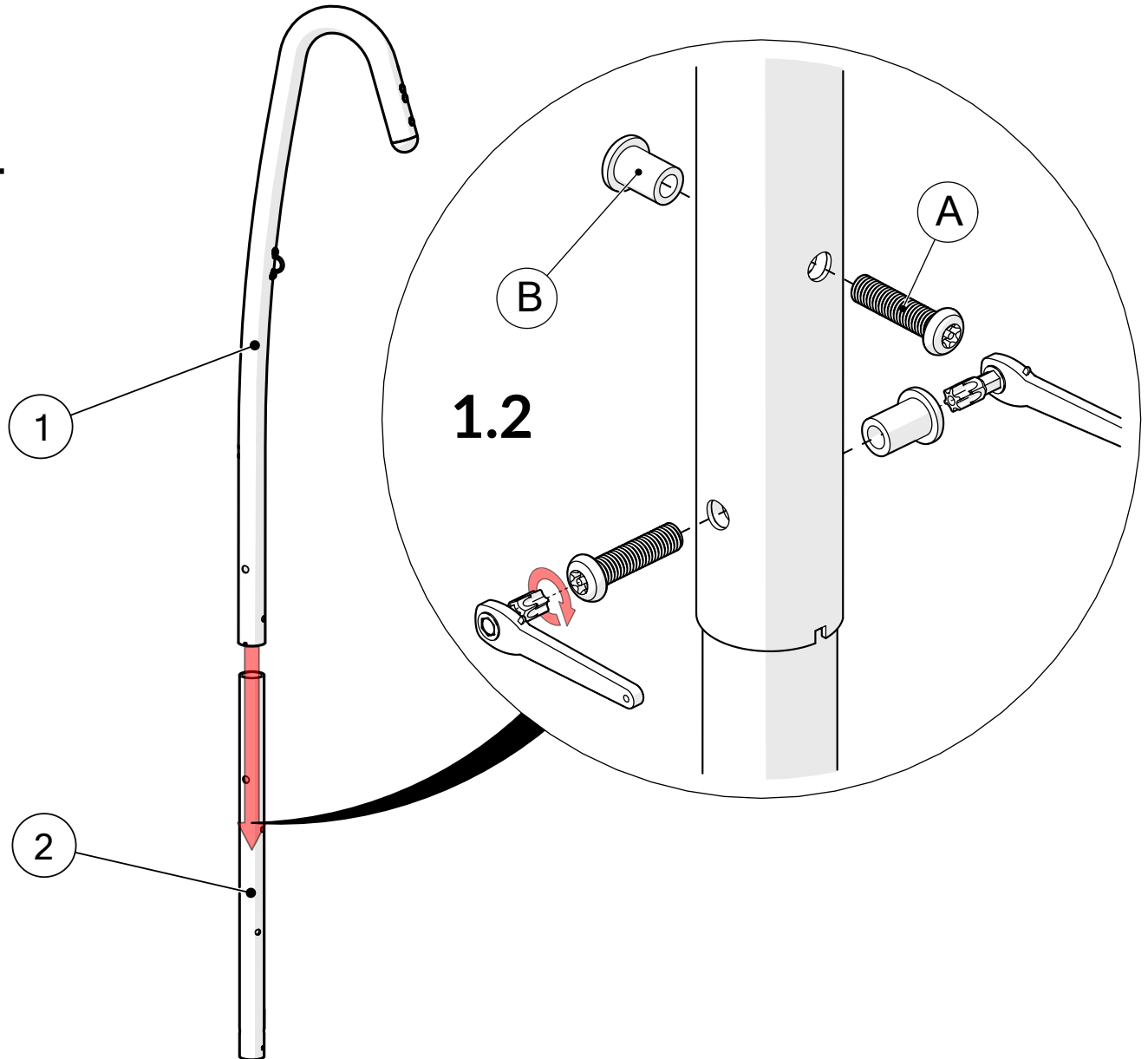


x2



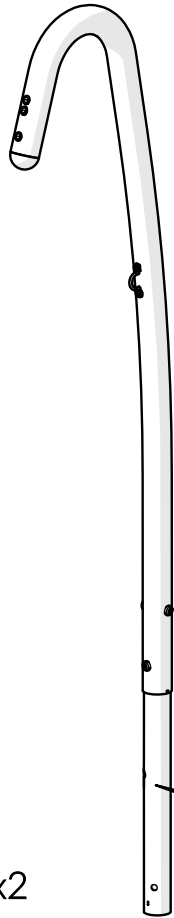
x2 TX45

A		x2
B		x2

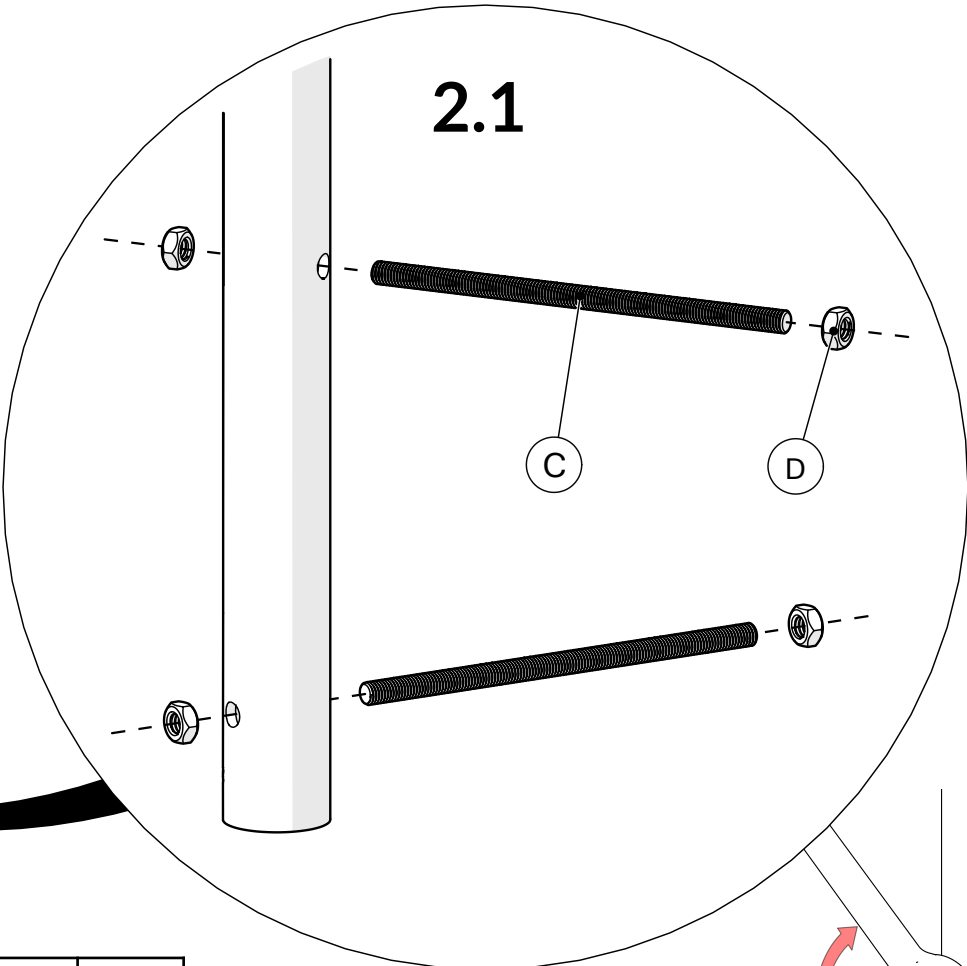


1.2

2.





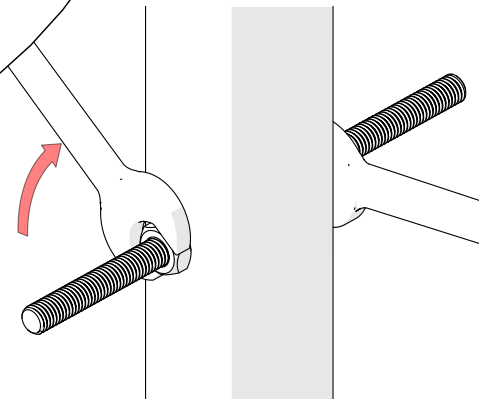
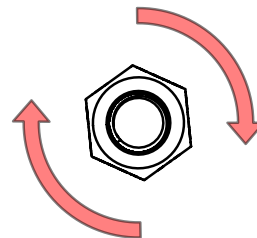
2.1



2.2



C		x2
D		x4

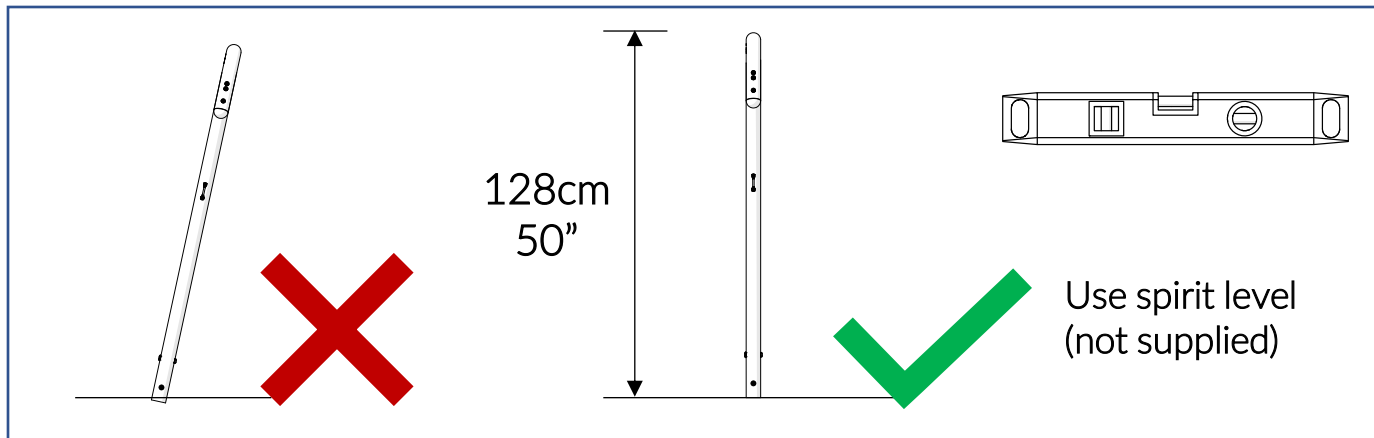


3.

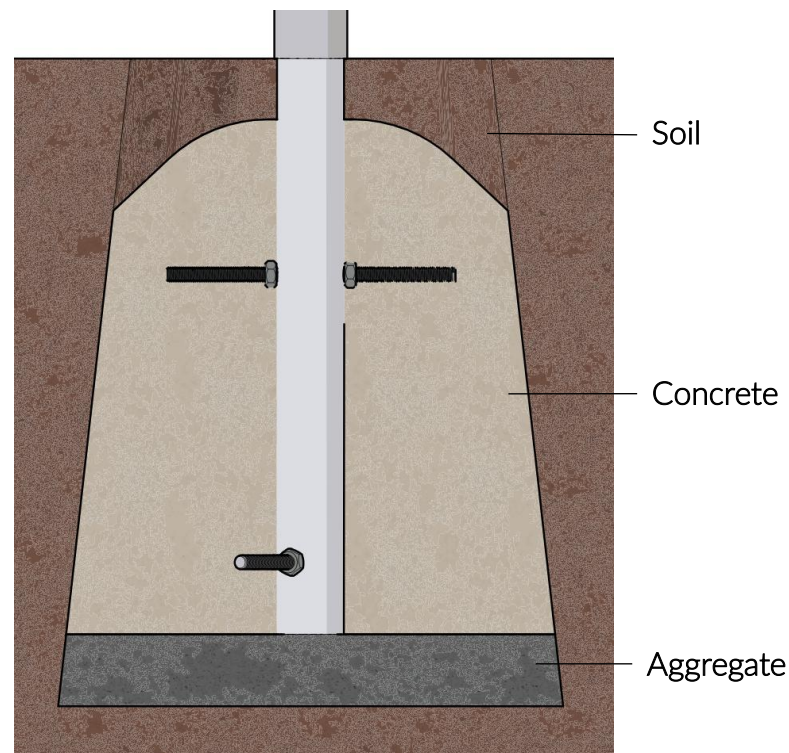
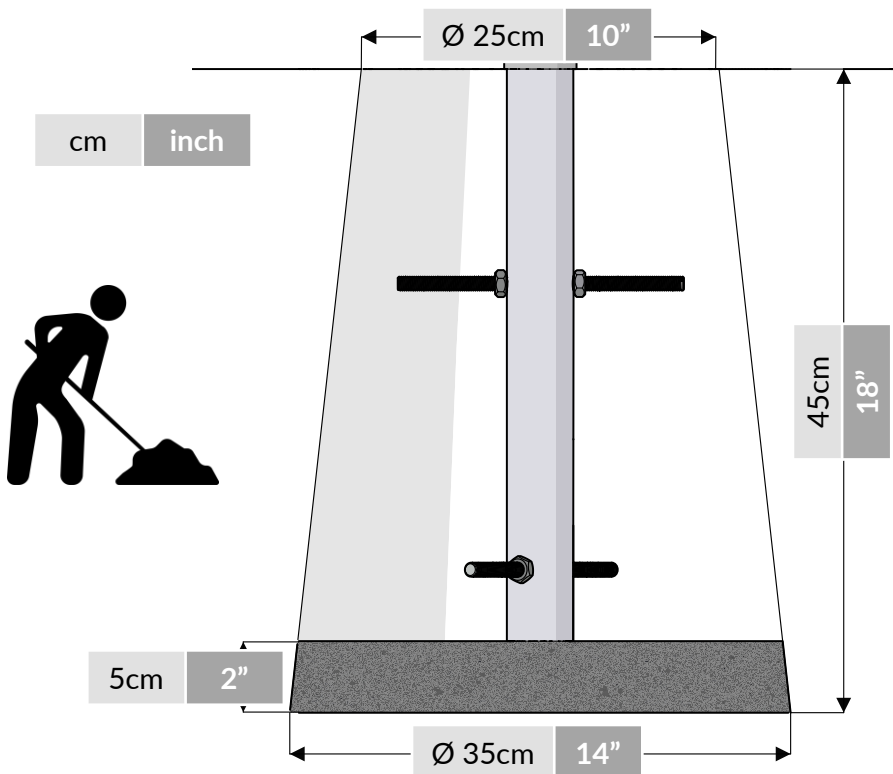


Foundations should not present a hazard

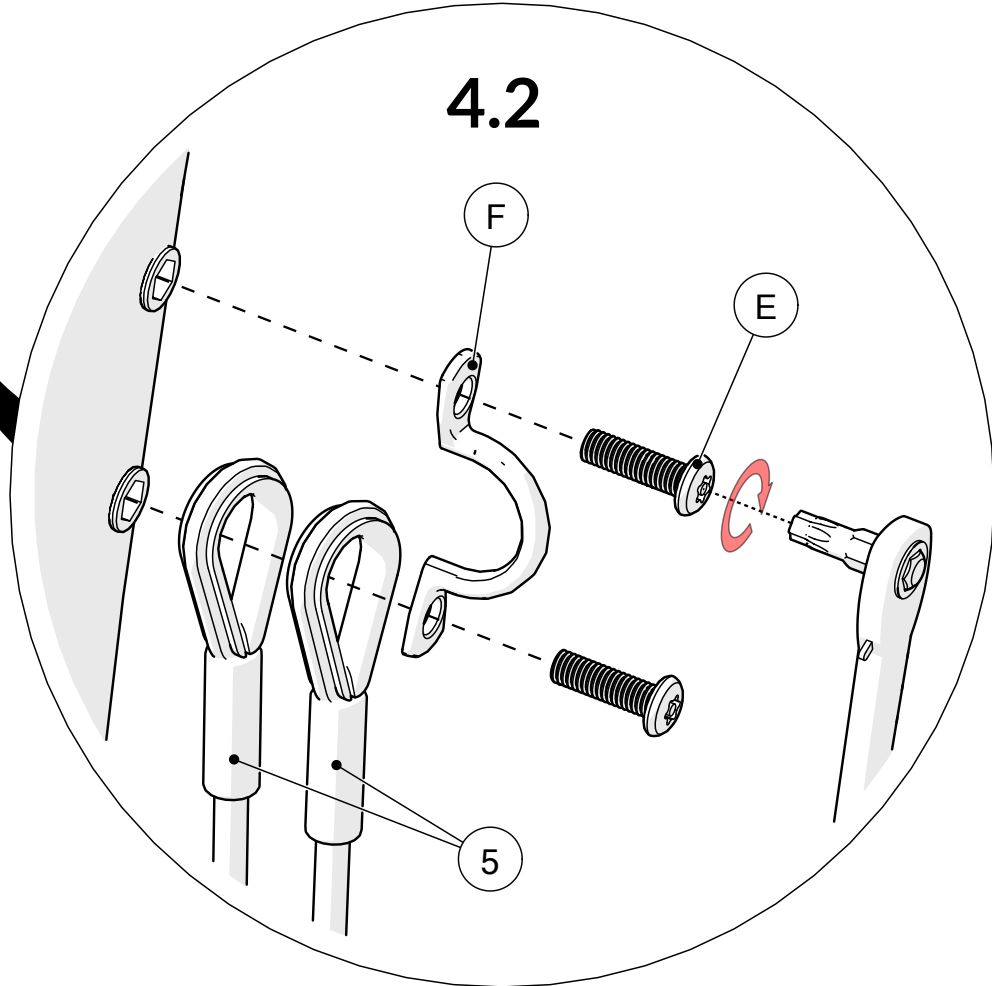
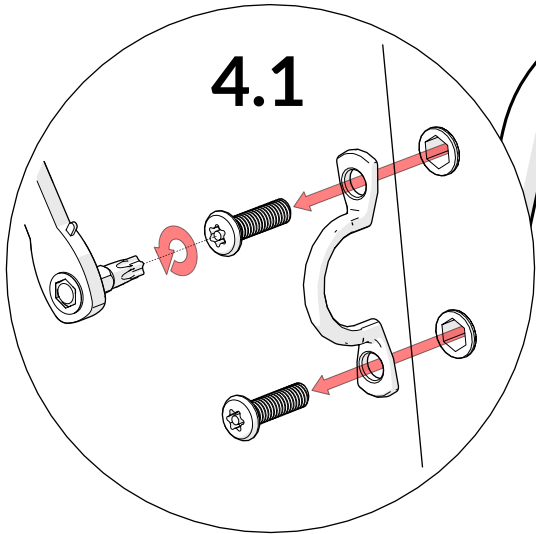
Refer to your local Health & Safety standards



Use spirit level
(not supplied)



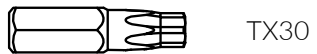
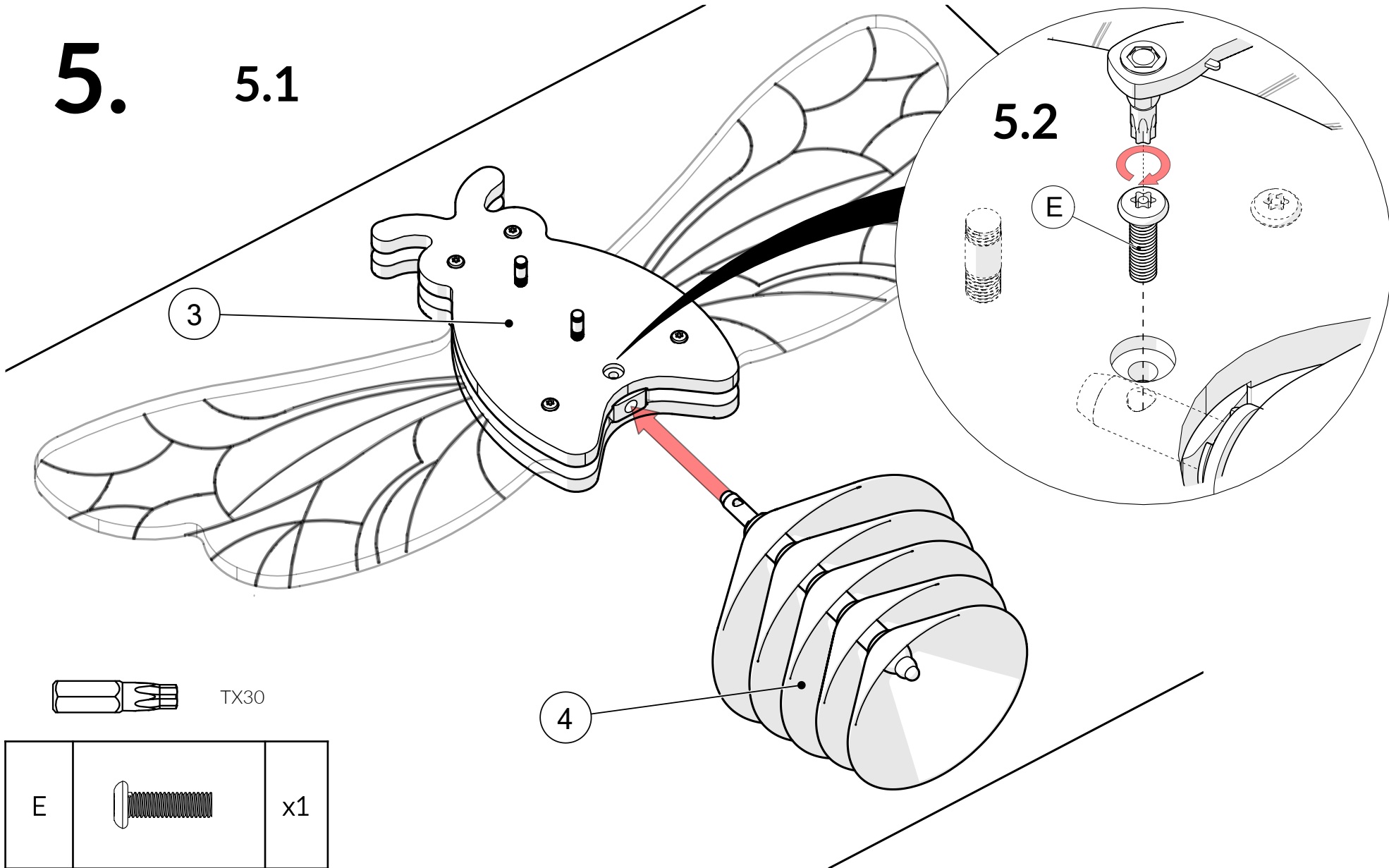
4.

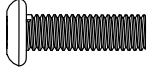


TX30

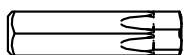
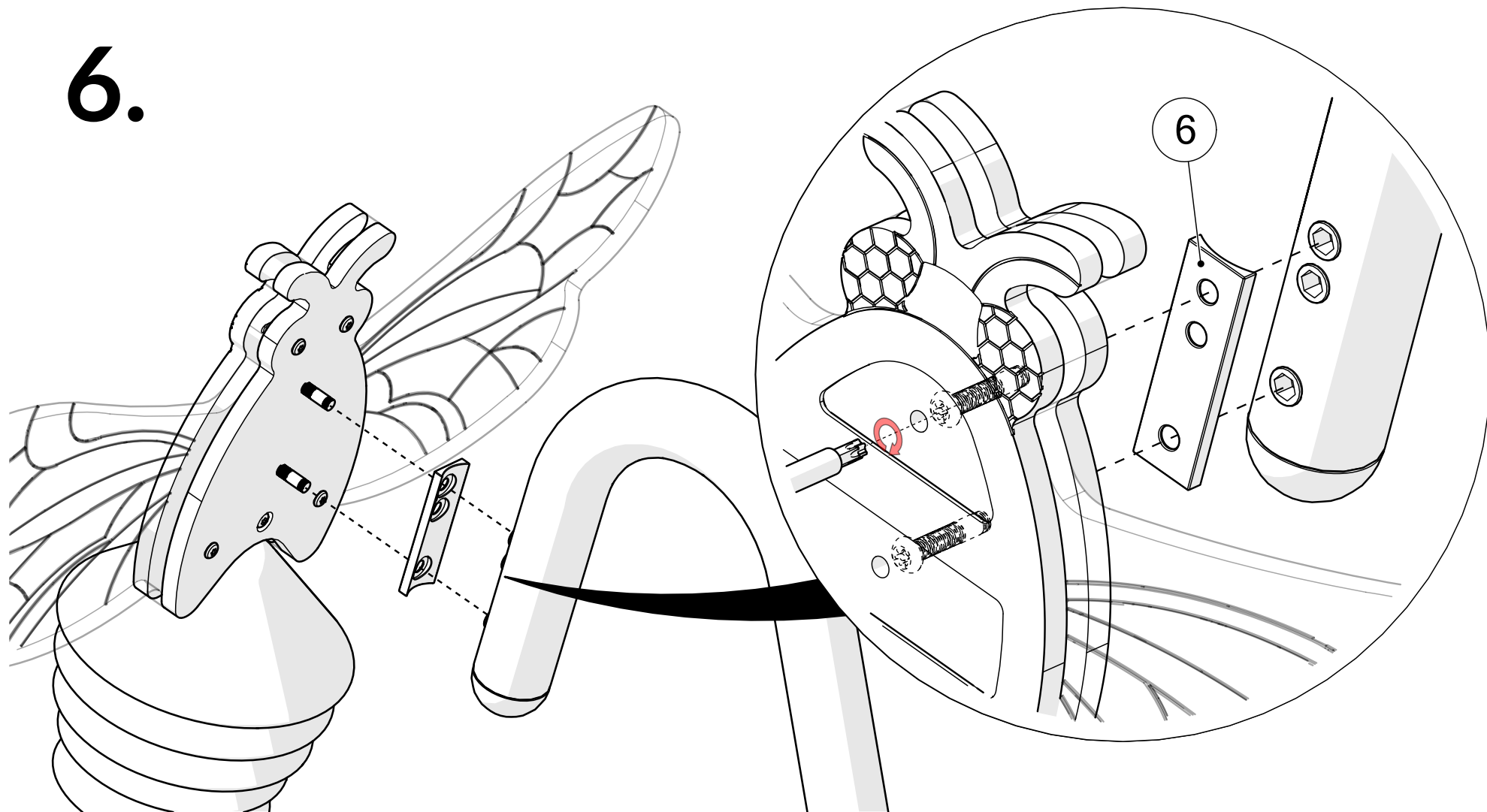
5		x2
E		x2
F		x1

5. 5.1

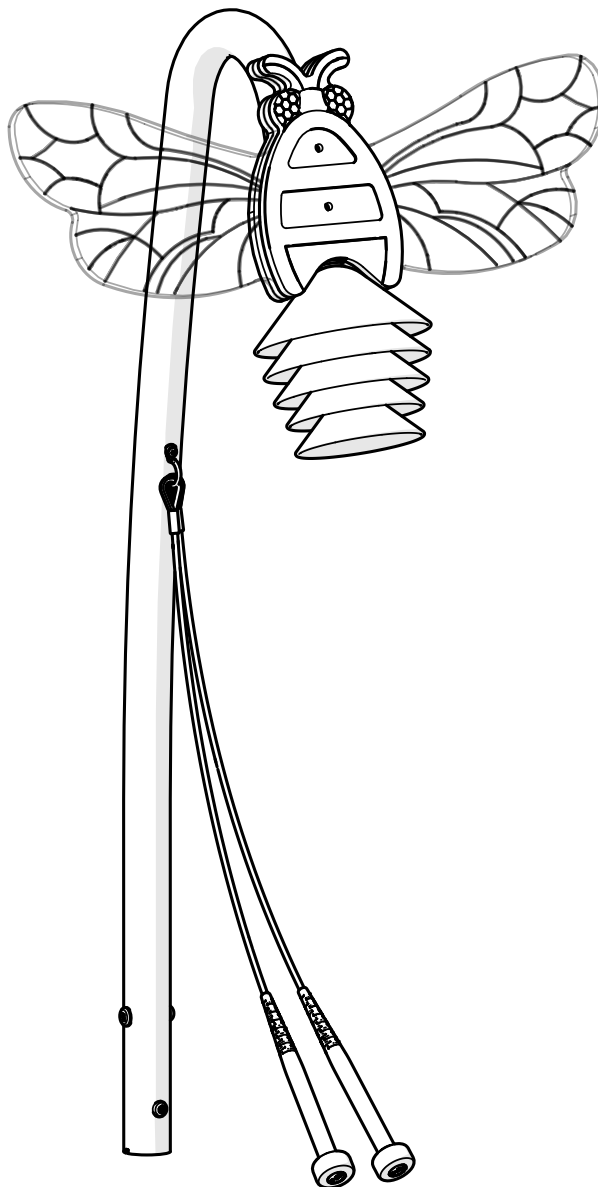


E		x1
---	---	----

6.



TX40



percussionplay.com



info@percussionplay.com



UK
[01730 235 180](tel:01730235180)

USA & CAN
[+1 \(866\) 882 9170](tel:+18668829170)

EUR & ROW
[+44 1730 235 180](tel:+441730235180)