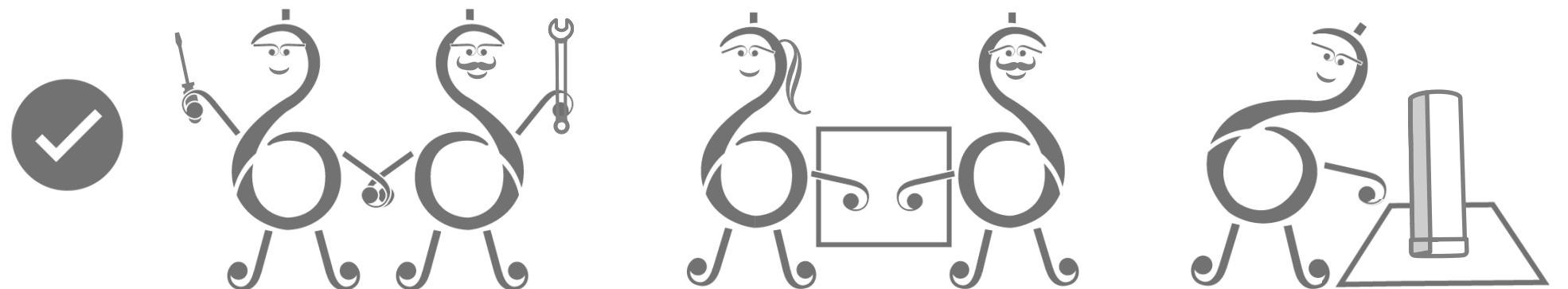
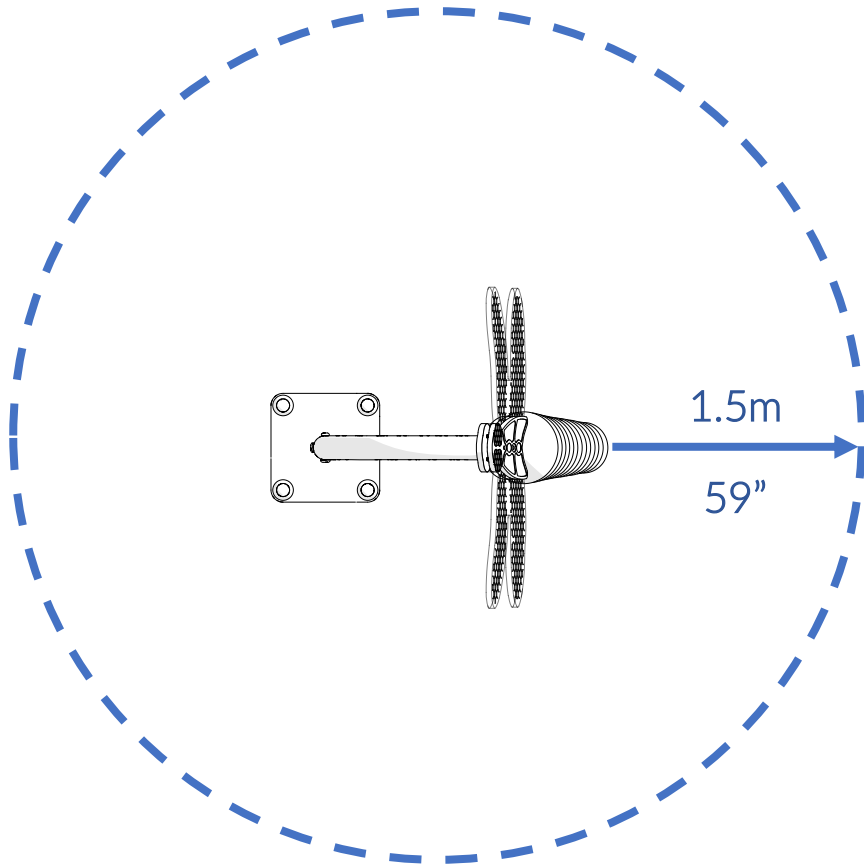


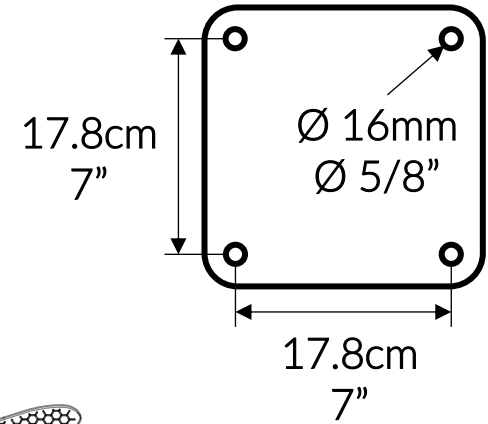
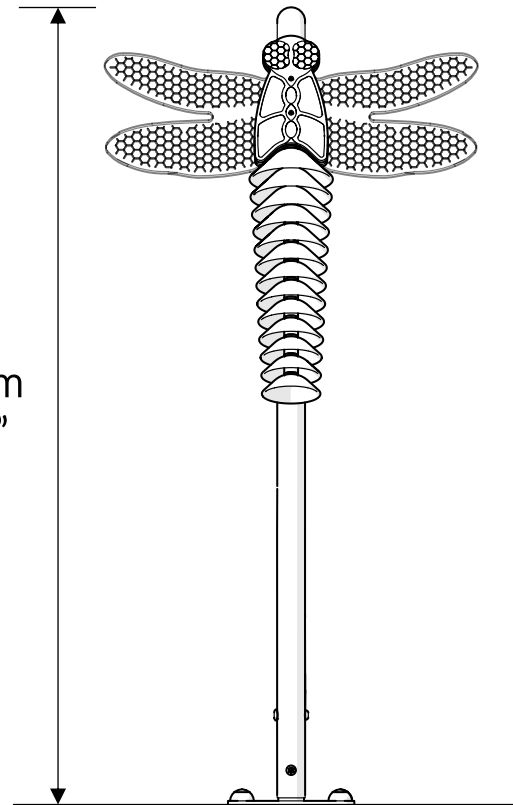
Part Reference	Description
PP-INS-DRAG-SF	Dragonfly (Surface Fix)



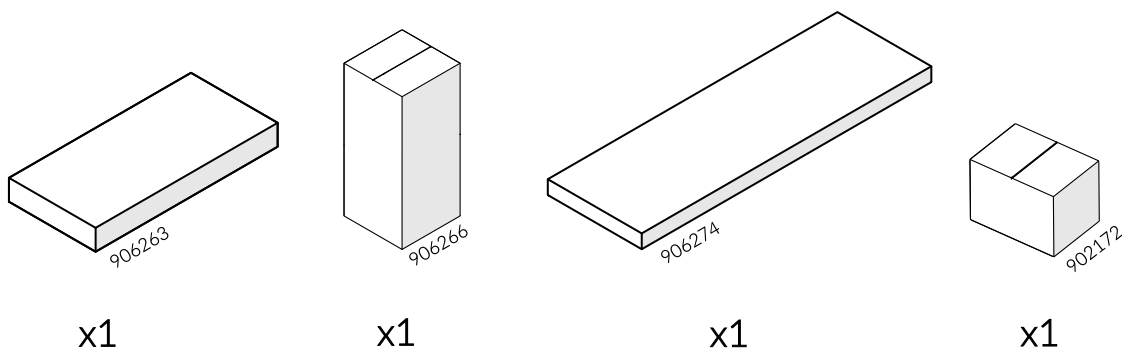




Check Risk Assessment



## Packages



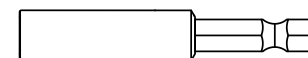
		L	W	H	Weight	Net
x1	906263	79cm / 31"	37.5cm / 15"	9cm / 3.5"	3kg / 6.6lbs	2.5kg / 5.5lbs
x1	906266	50cm / 20"	22cm / 9"	22cm / 9"	3.5kg / 7.7lbs	3.5kg / 7.7lbs
x1	906274	148cm / 50"	48cm / 6"	7cm / 2"	5.5kg / 12lbs	5kg / 11lbs
x1	902172	32cm / 12.5"	23cm / 9"	23cm / 9"	4.5kg / 9.9lbs	4kg / 8.8lbs

## Tools required (not supplied)

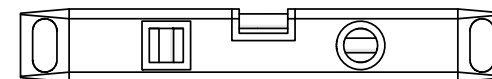
¼" Bit Driver Ratchet



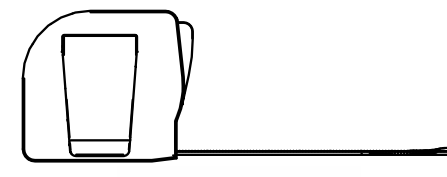
¼" hex adapter



Spirit level

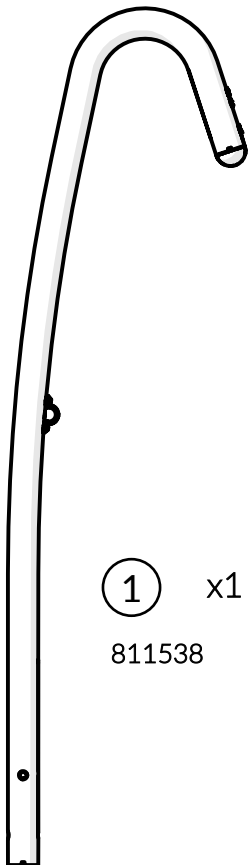


Tape Measure



Not to scale

906274



① x1  
811538

⑤ x2  
906293

② E x2  
500746

③ F x1  
603150

TX30 x1  
500473

TX40 x1  
500474

902172

② x1  
810227

④ A x2  
501196

⑤ B x2  
500613

⑥ C x4  
601543

⑦ D x4  
601542

TX45 x2  
500720

906263

③ x1  
812250

⑥ x1  
612589

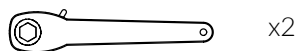
906266

④ x1  
810269

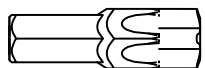
⑤ x1  
500746

# 1.

## 1.1

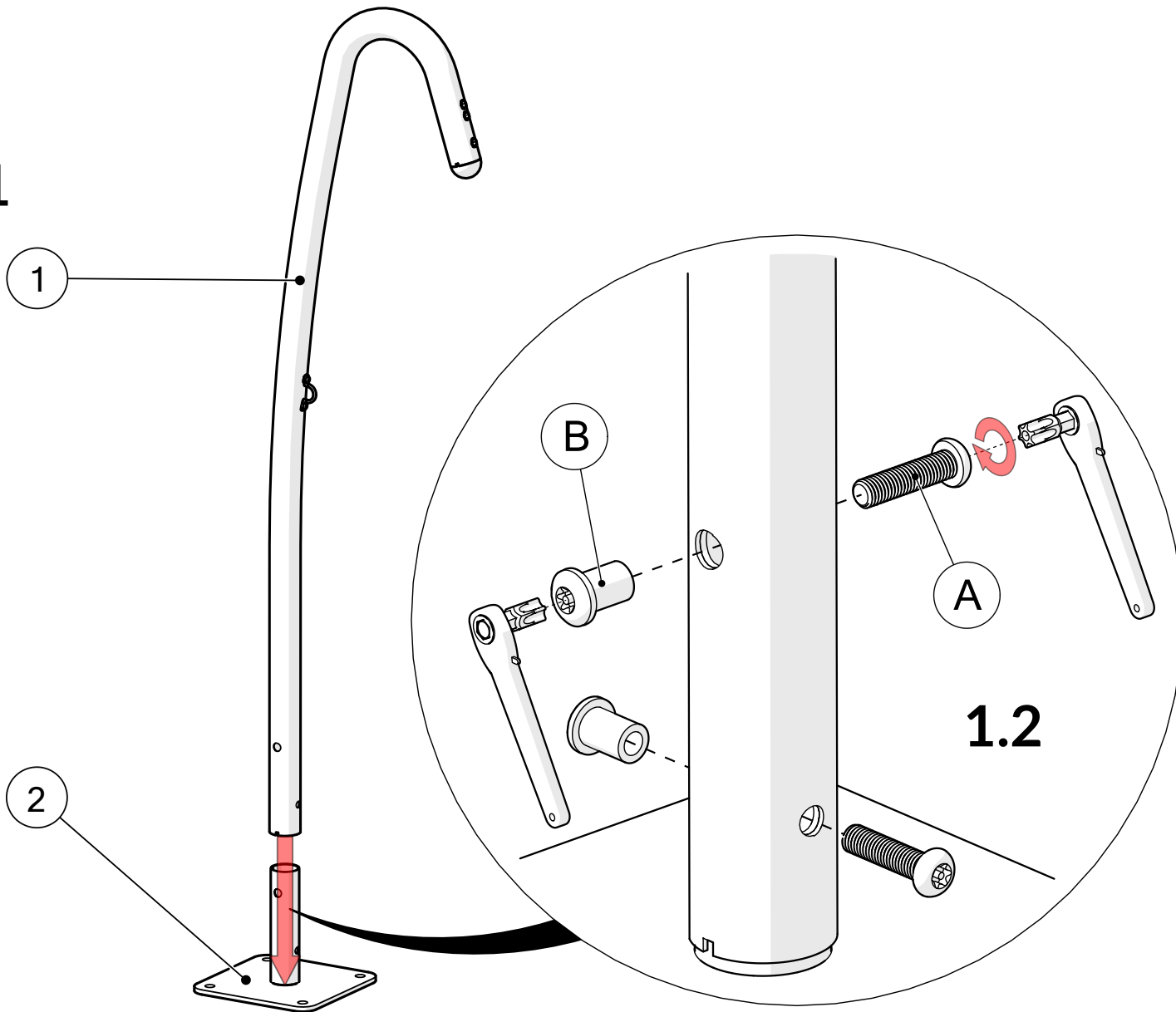


x2



x2 TX45

A		x2
B		x2



# 2.

Surface fixing should not present a hazard



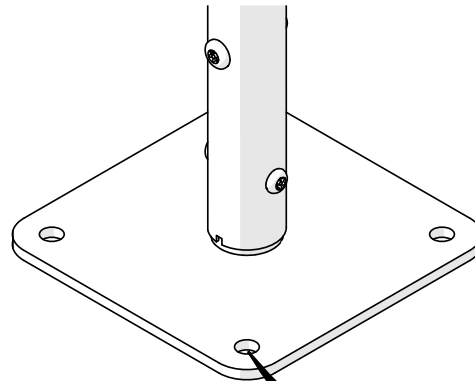
Refer to your local Health & Safety standards

C		x4
D		x4

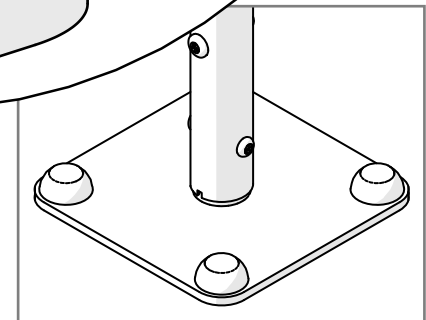
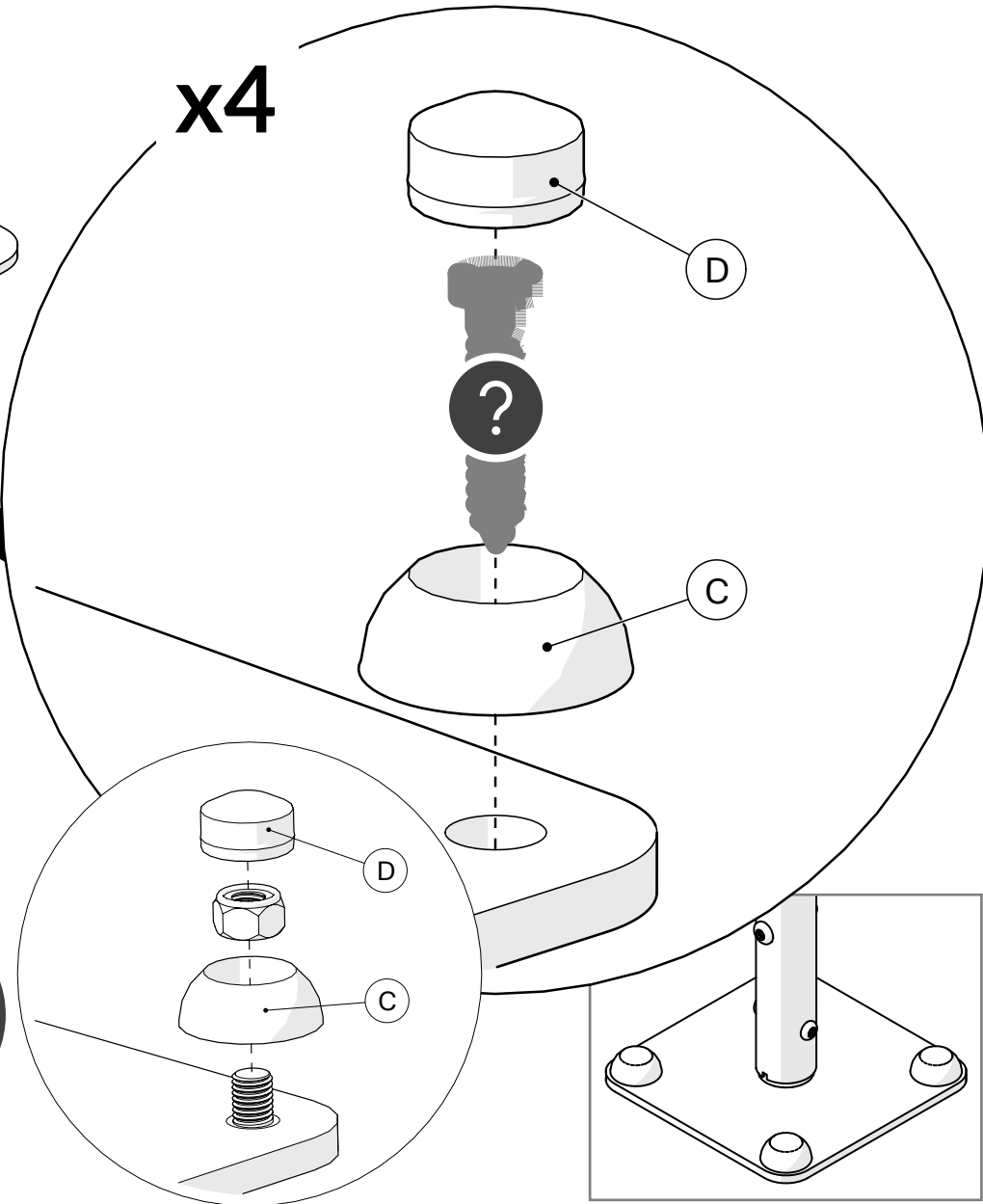
Surface

Example fixing

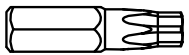
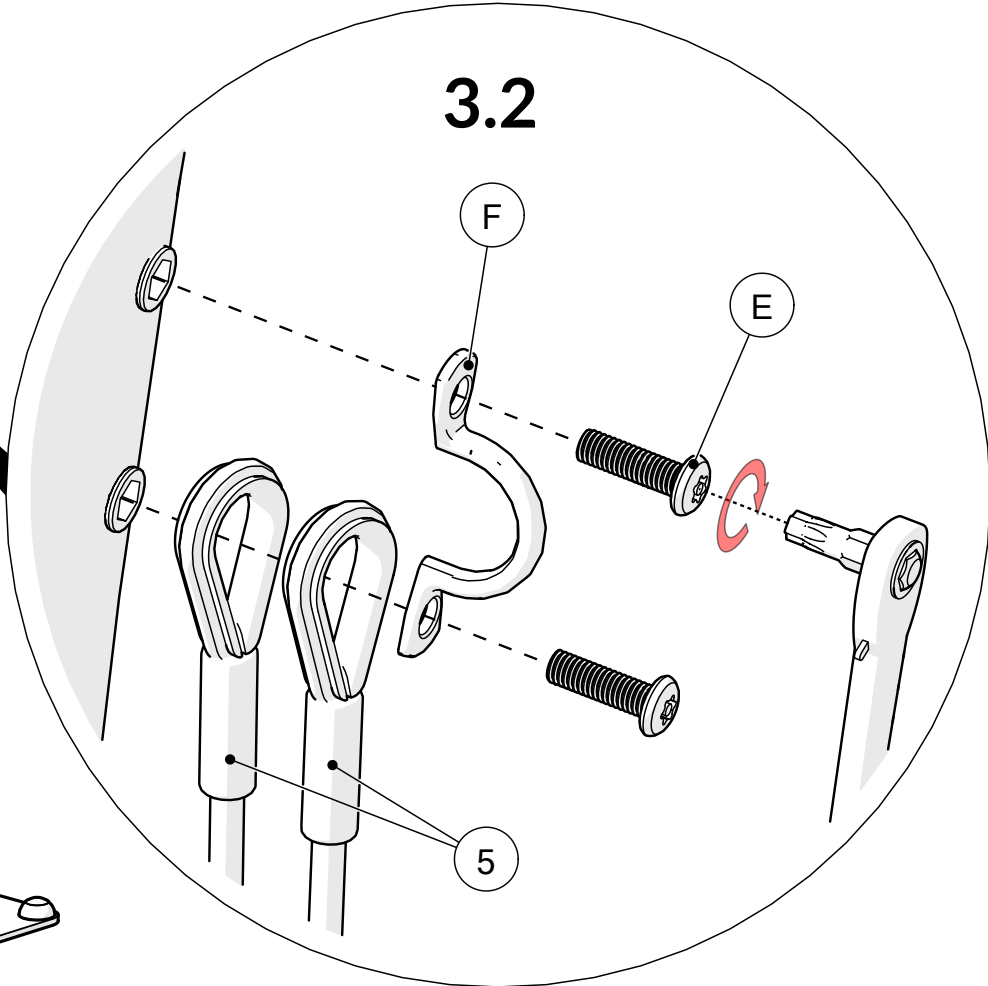
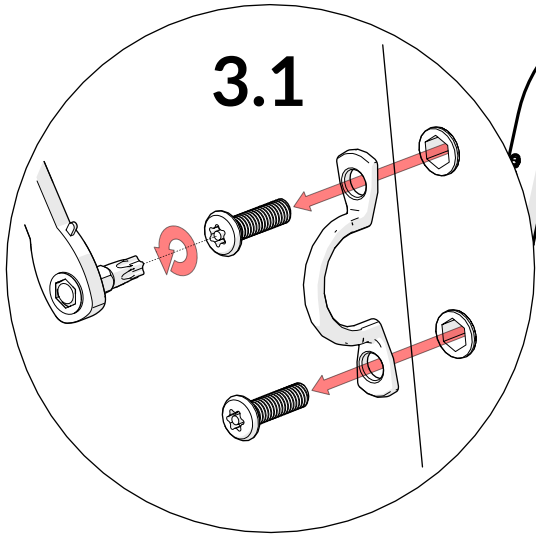
	Wood		x4
	Concrete		x4
	Brick		x4



x4

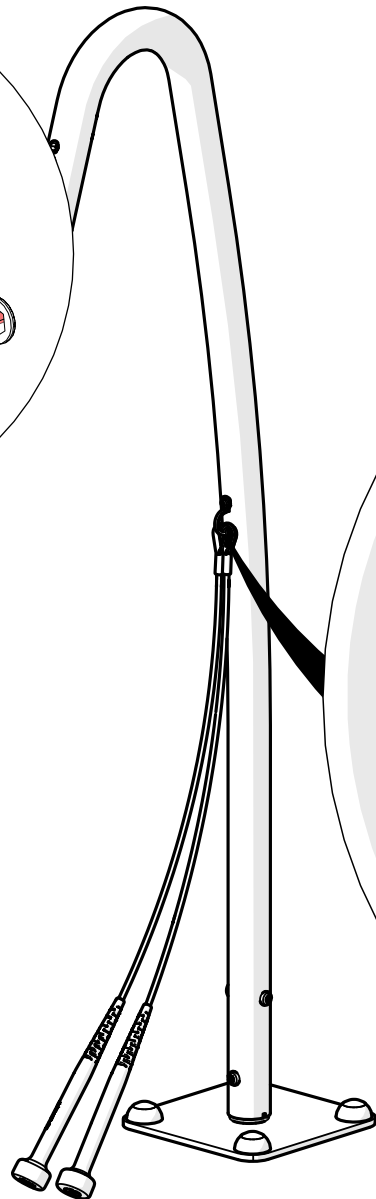


# 3.



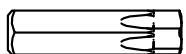
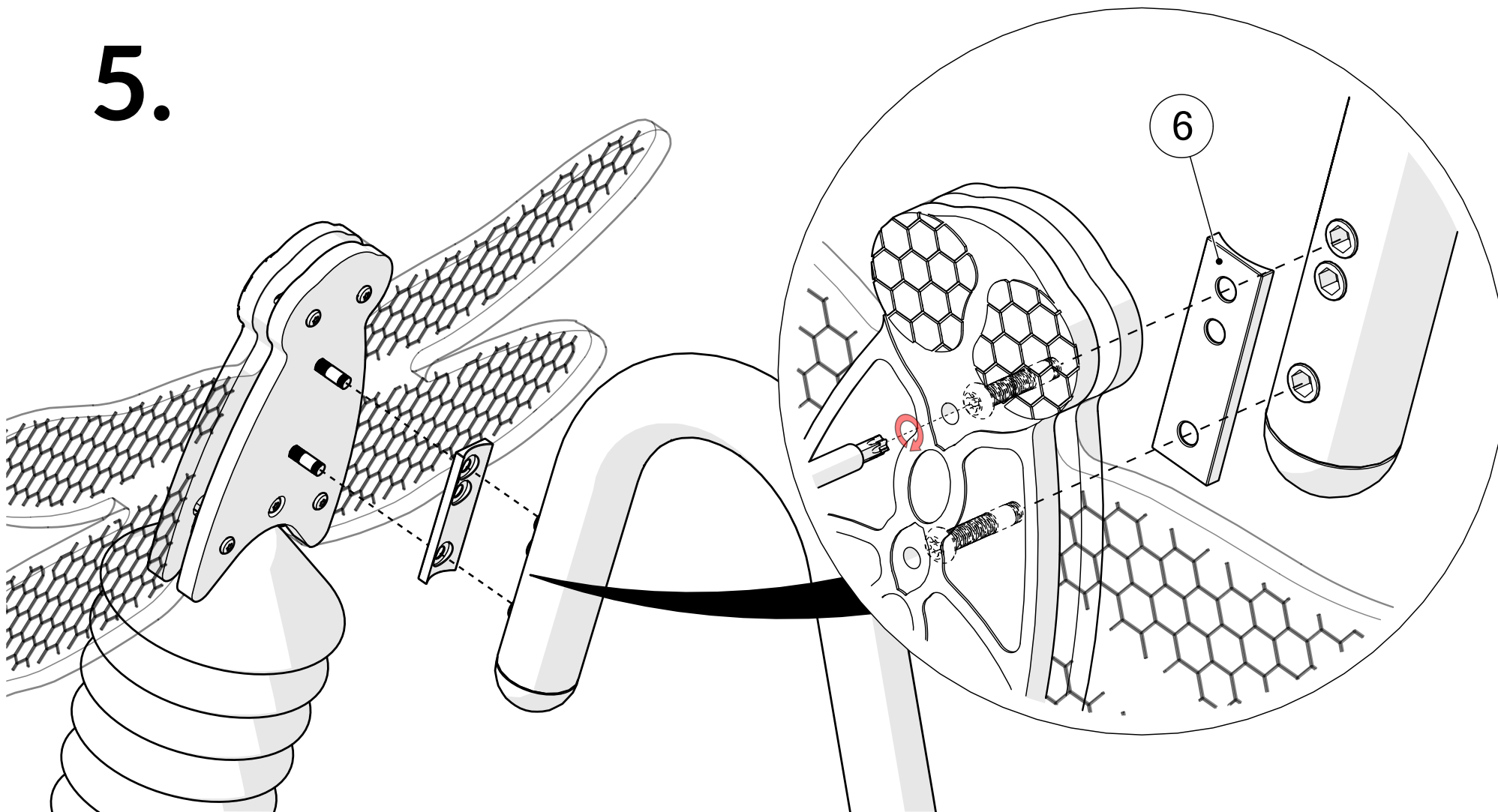
TX30

5		x2
E		x2
F		x1

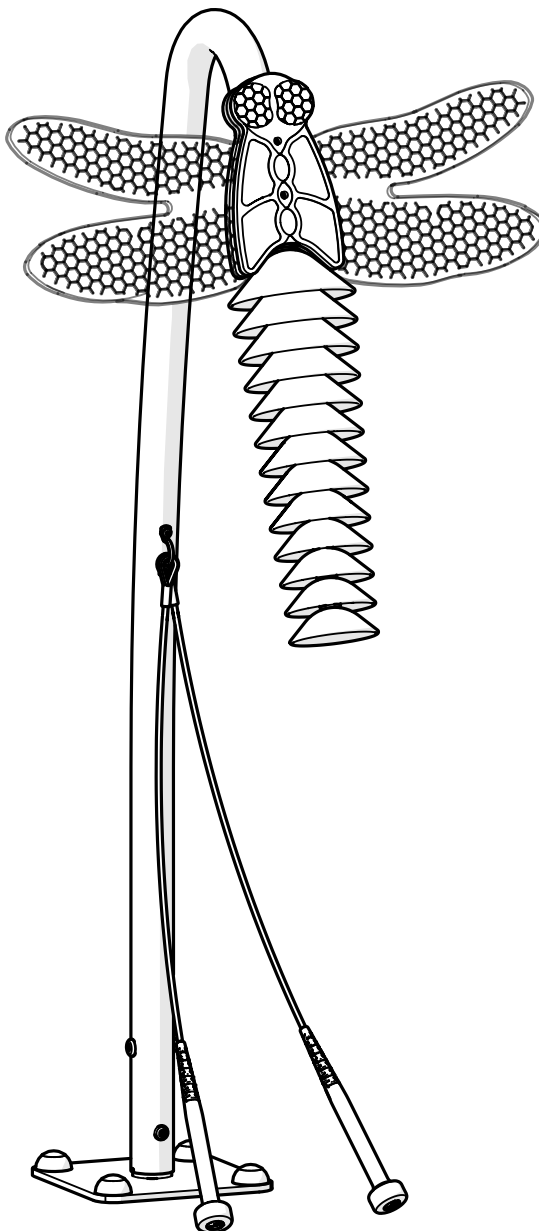




5.



TX40



[percussionplay.com](http://percussionplay.com)



[info@percussionplay.com](mailto:info@percussionplay.com)



UK  
[01730 235 180](tel:+441730235180)

USA & CAN  
[+1 \(866\) 882 9170](tel:+18668829170)

EUR & ROW  
[+44 1730 235 180](tel:+441730235180)