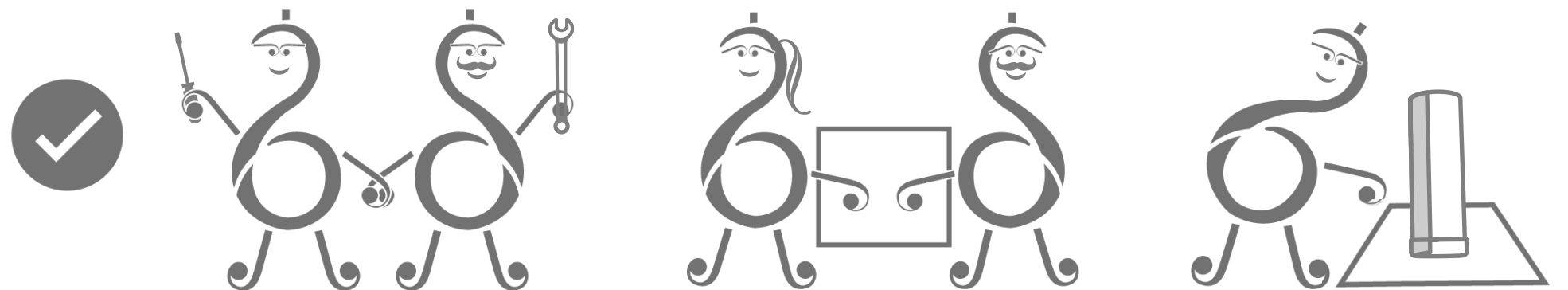
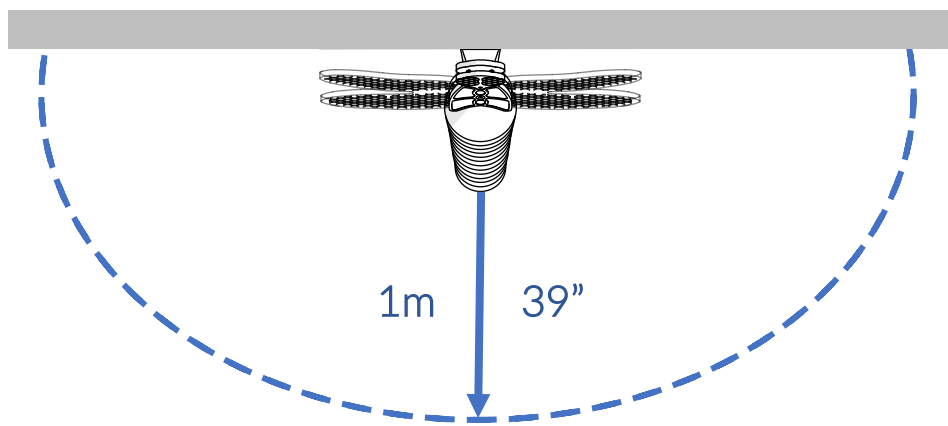


Part Reference	Description
PP-INS-DRAG-WF	Dragonfly (Wall Fix)

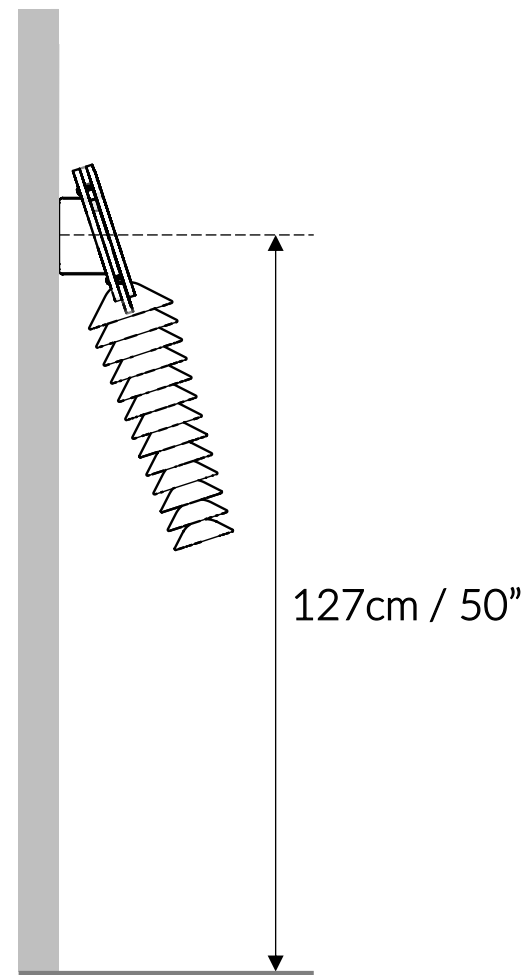




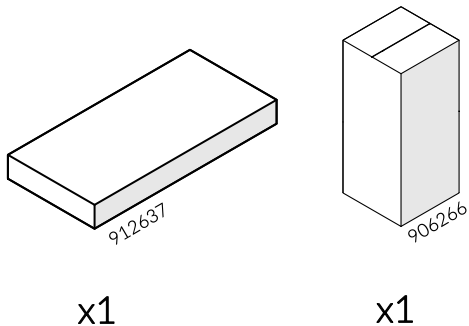


Check Risk Assessment

Confirm
height with
client



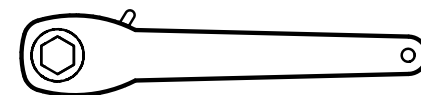
Packages



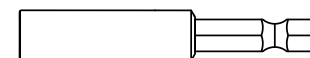
		L	W	H	Weight	Net
x1	912637	79cm / 31"	37.5cm / 15"	9cm / 3.5"	4kg / 8.8lbs	4kg / 8.8lbs
x1	906266	50cm / 20"	22cm / 9"	22cm / 9"	3.5kg / 7.7lbs	3.5kg / 7.7lbs

Tools required (not supplied)

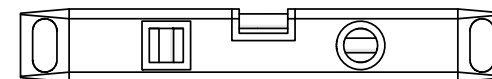
¼" Bit Driver Ratchet



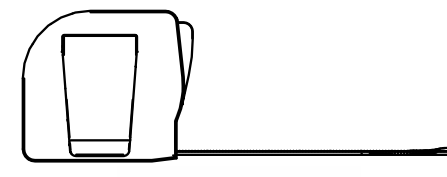
¼" hex adapter



Spirit level

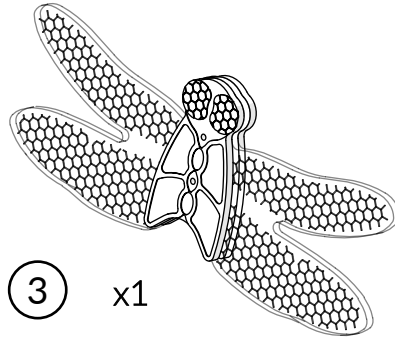
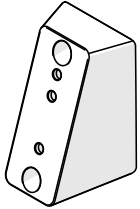


Tape Measure



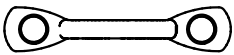
912637

① x1
612538

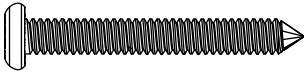


③ x1
812250

Ⓐ x1
603150



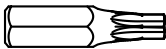
Ⓑ x2
500448



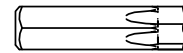
TX30 x1
500473



TX25 x1
500472



TX40 x1
500474

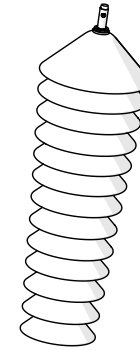


② x2
906293

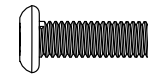


906266

④ x1
810269



Ⓒ x1
500746



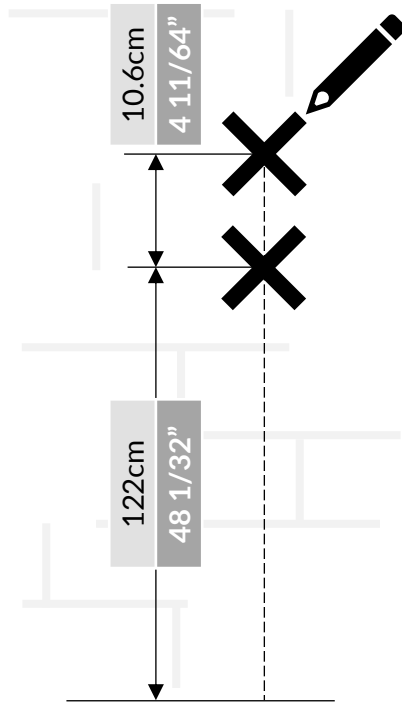
1.



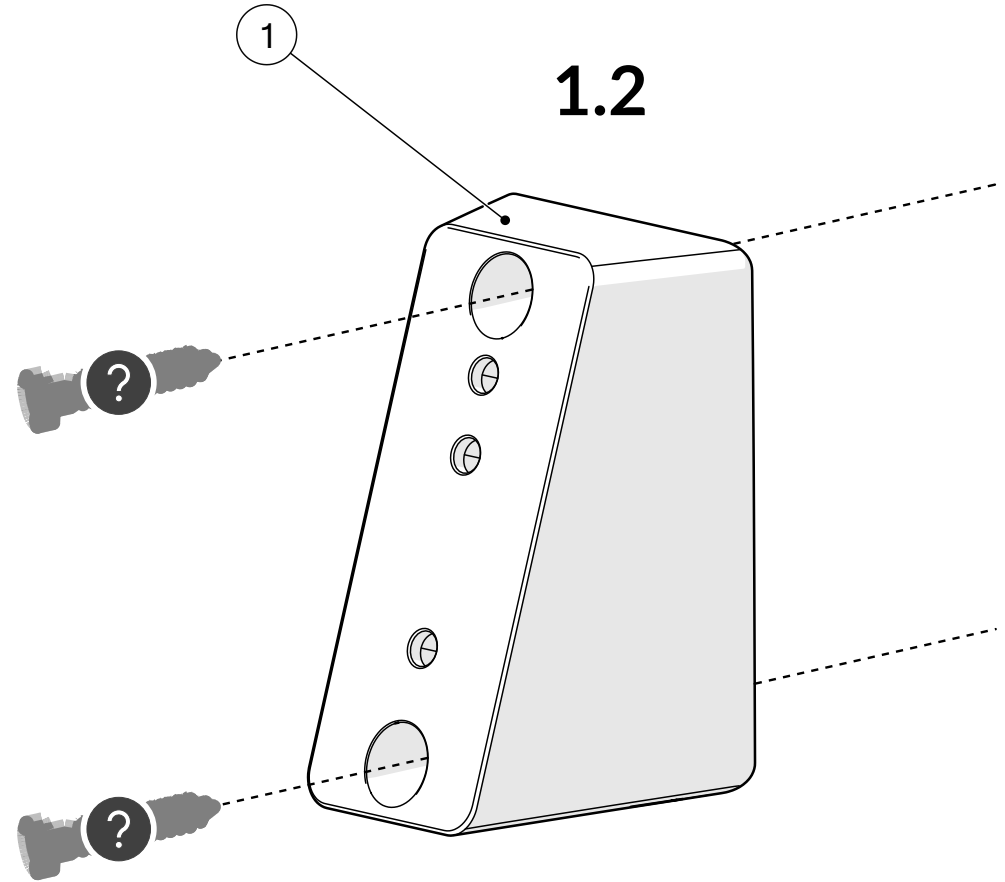
Wall fixing should not present a hazard

Refer to your local Health & Safety standards

1.1



1.2



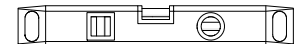
Wall

Example fixing

	Wood		x2
	Concrete		x2
	Brick		x2

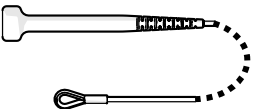
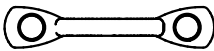



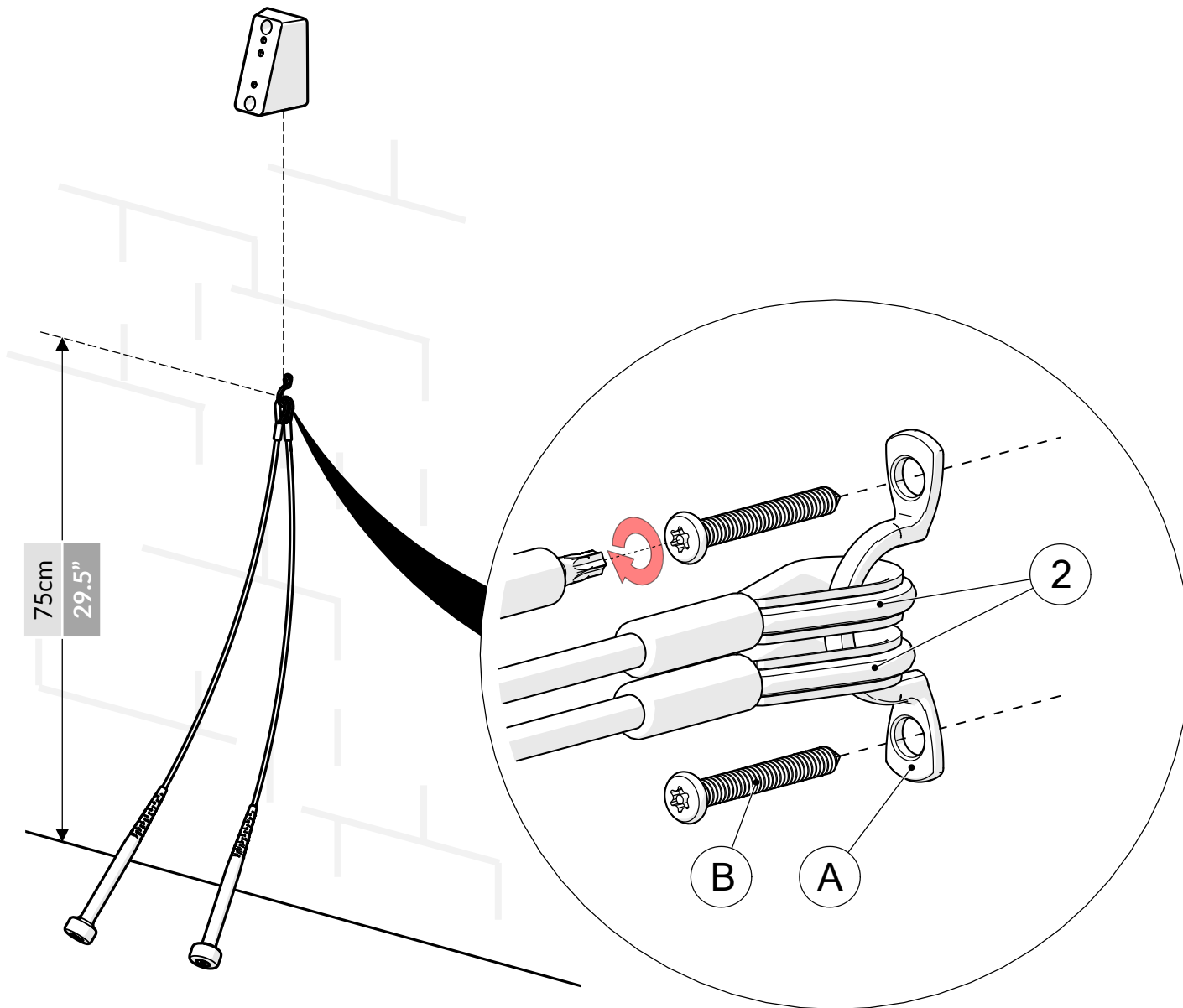
Use spirit level



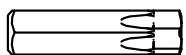
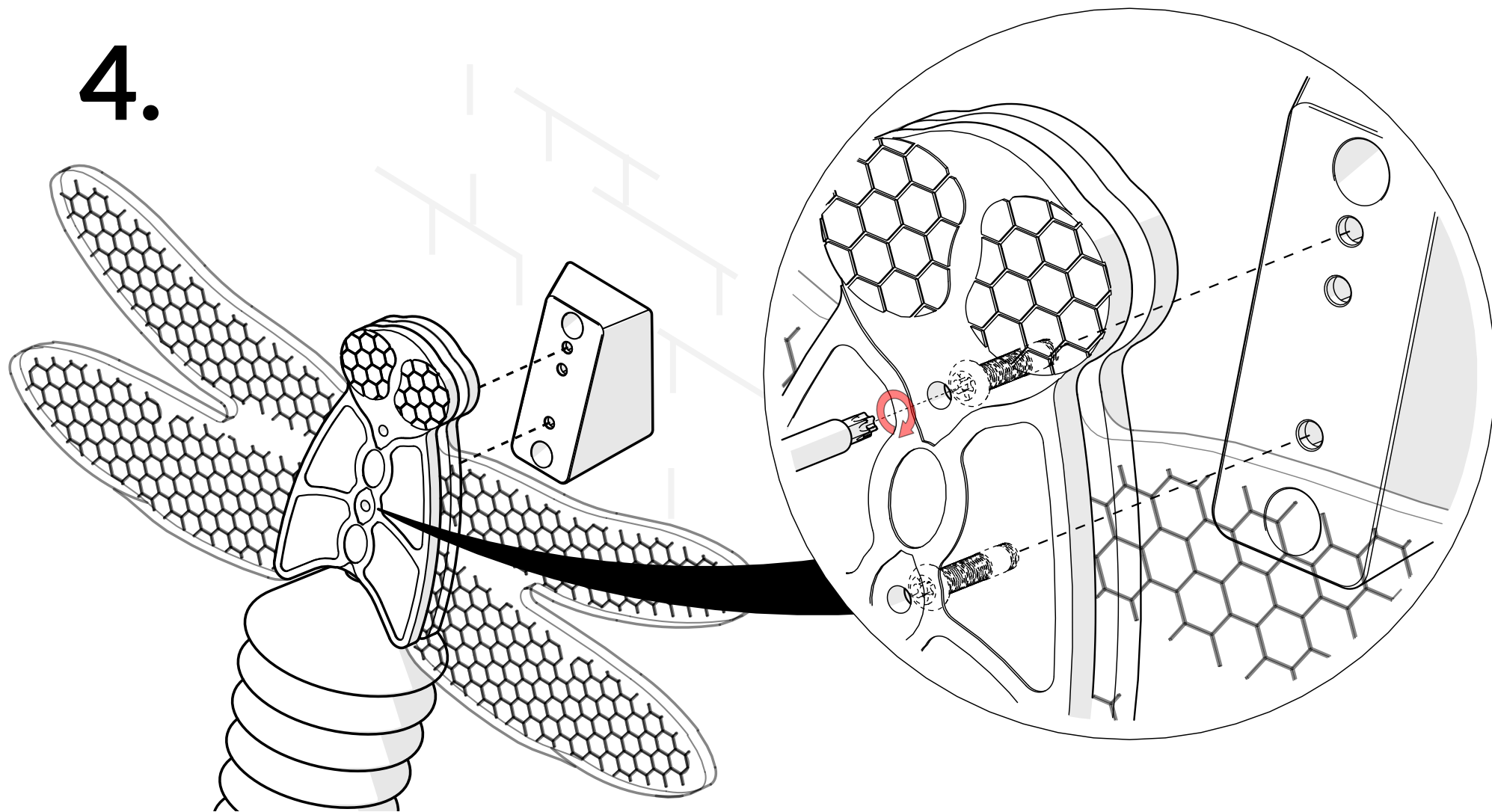
2.



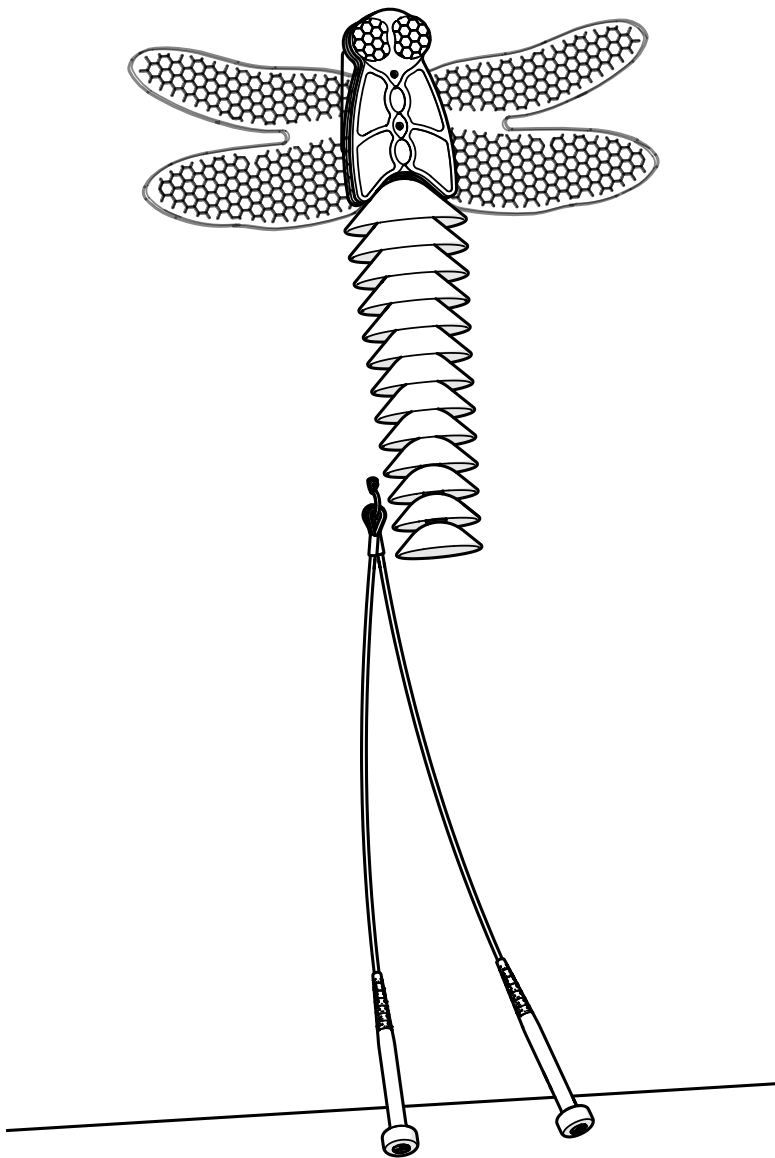
2		x2
A		x1
B		x2



4.



TX40



percussionplay.com



info@percussionplay.com



UK
[01730 235 180](tel:01730235180)

USA & CAN
[+1 \(866\) 882 9170](tel:+18668829170)

EUR & ROW
[+44 1730 235 180](tel:+441730235180)