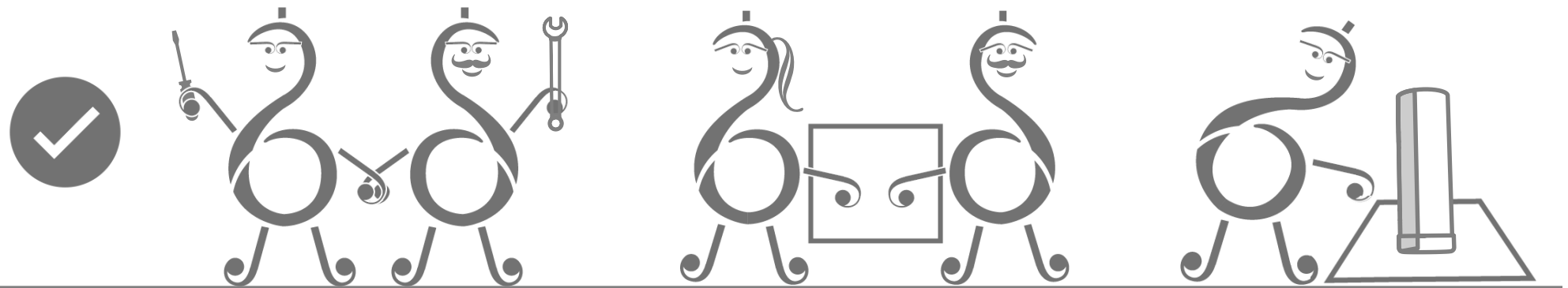
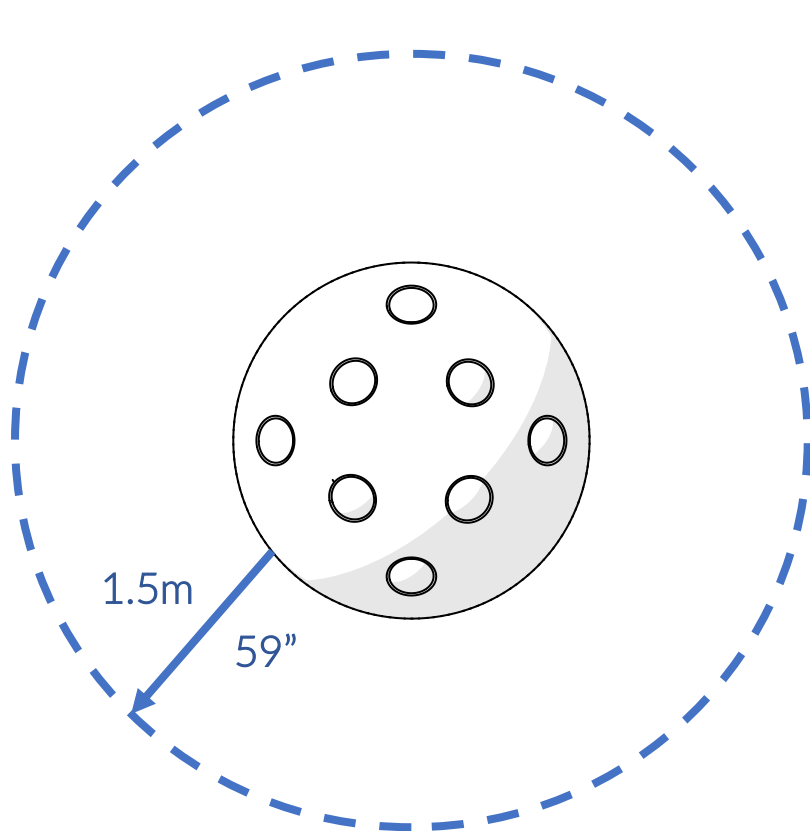


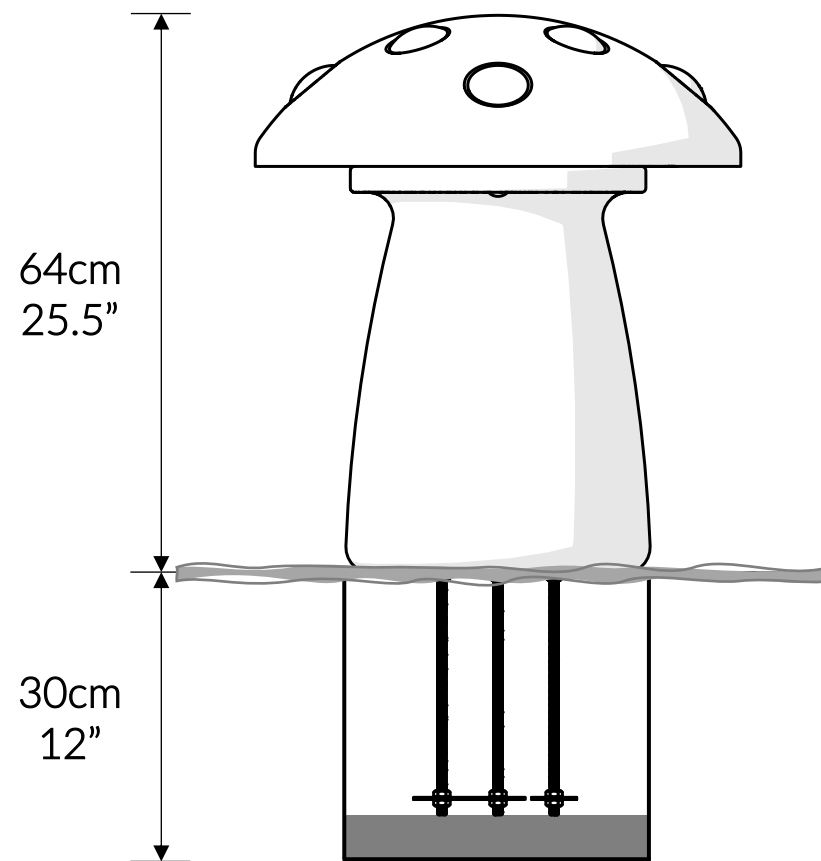
| Part Reference | Description            |
|----------------|------------------------|
| PP-TOAD-GF     | Toadstool (Ground Fix) |



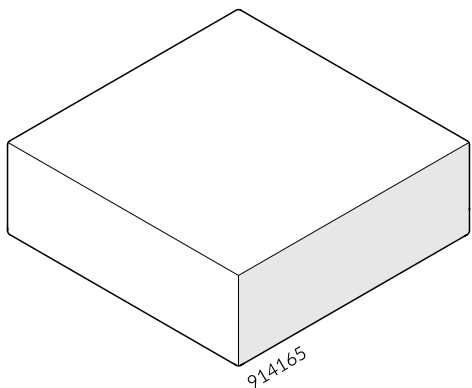




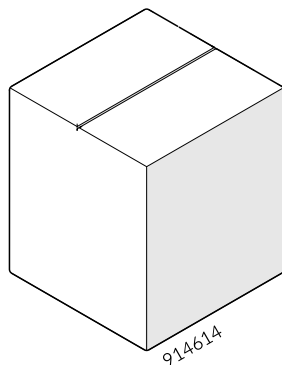
Check Risk Assessment



### Packages



x1

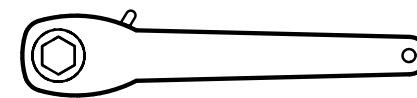


x1

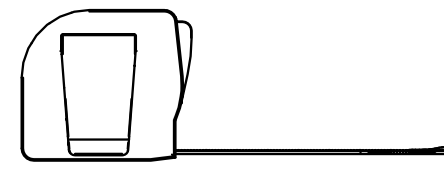
|    |        | L            | W            | H            | Weight         | Net |
|----|--------|--------------|--------------|--------------|----------------|-----|
| x1 | 914165 | 75cm / 29.5" | 75cm / 29.5" | 25cm / 10"   | 8kg / 17.5lbs  |     |
| x1 | 914614 | 50cm / 19.5" | 40cm / 15.5" | 40cm / 15.5" | 12kg / 26.5lbs |     |

### Tools required (not supplied)

¼" Bit Driver Ratchet



Tape Measure

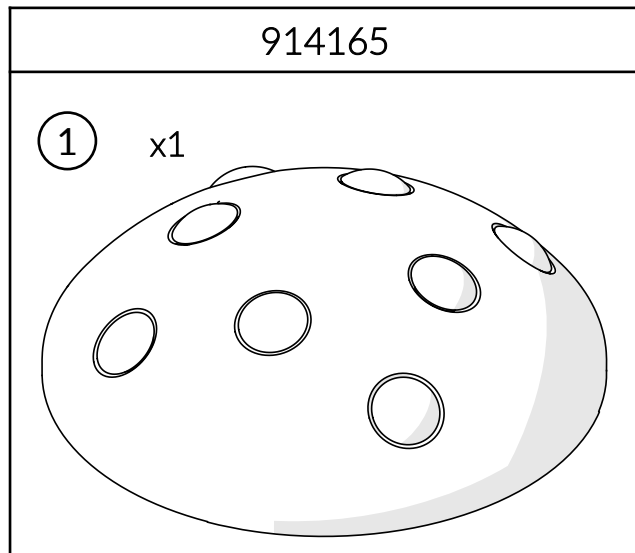


48/64" / 19mm Spanner



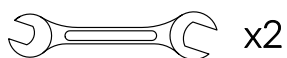
x2


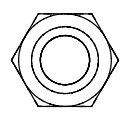
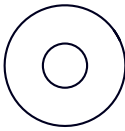



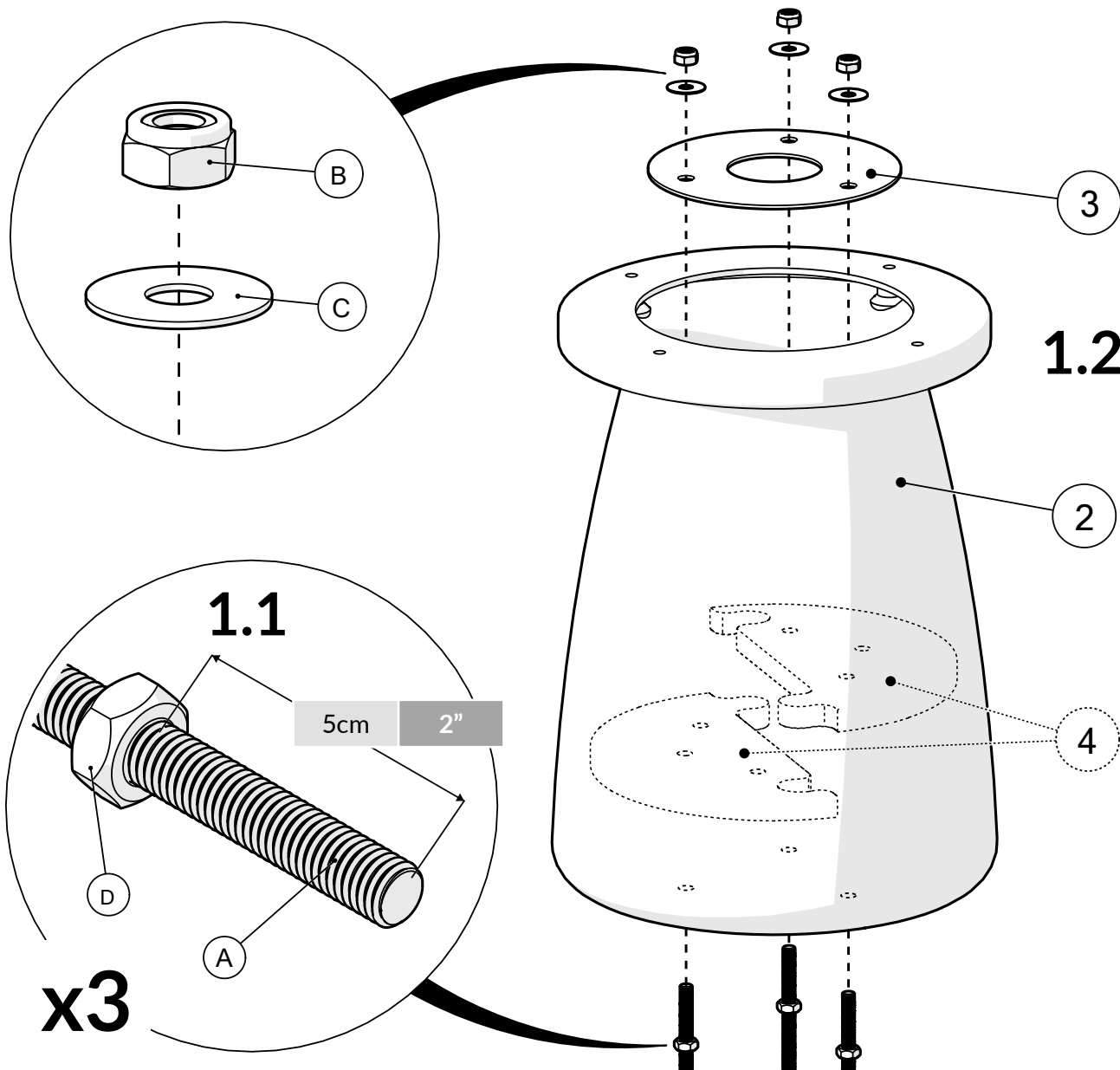


| 914614                 |                        |                           |
|------------------------|------------------------|---------------------------|
| <p>Ⓐ x3<br/>505465</p> | <p>Ⓑ x3<br/>500612</p> | <p>② x1<br/>614886</p>    |
|                        | <p>Ⓒ x3<br/>500444</p> |                           |
|                        | <p>Ⓓ x9<br/>500457</p> | <p>③ x1<br/>614883</p>    |
|                        | <p>Ⓔ x3<br/>500685</p> | <p>④ x2<br/>615272</p>    |
|                        | <p>Ⓕ x4<br/>501588</p> | <p>TX40 x1<br/>500474</p> |

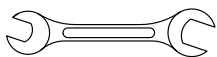
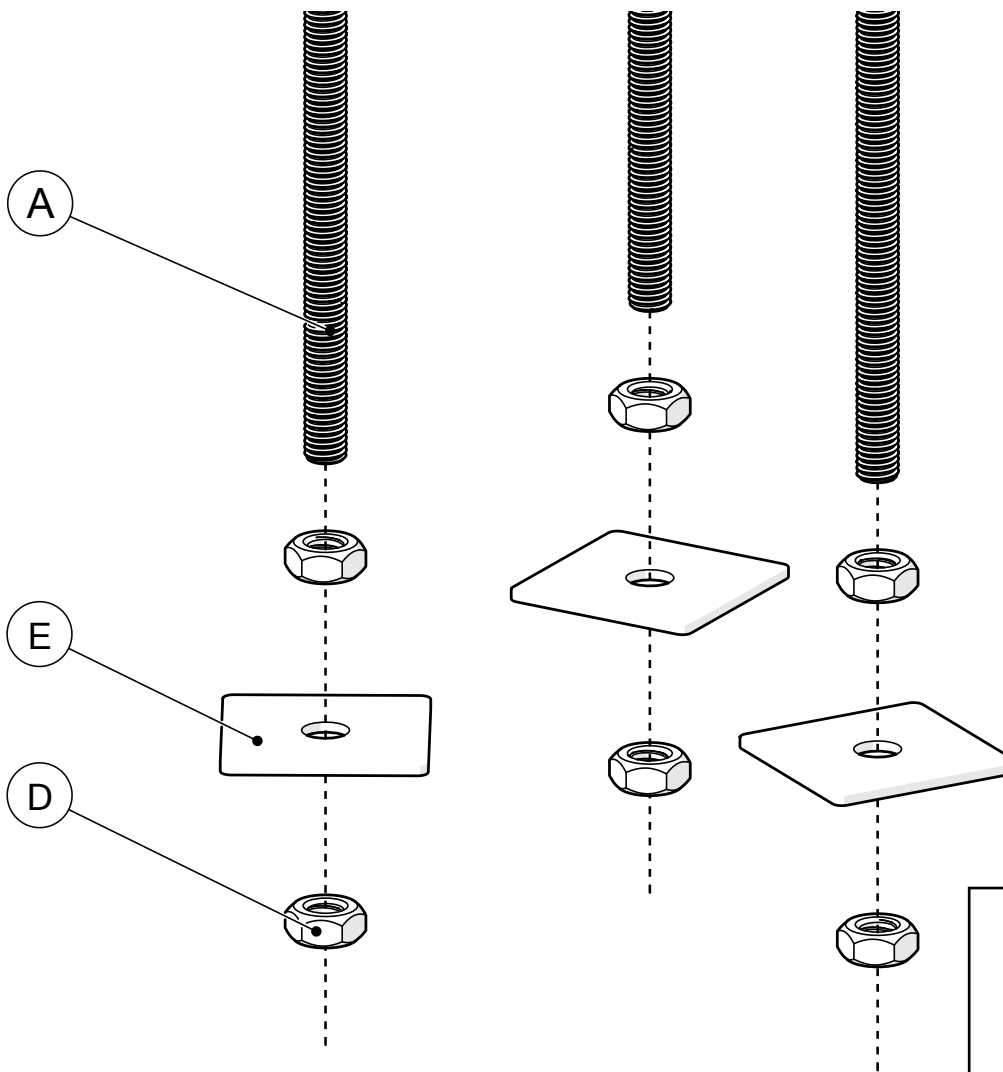
**1.**

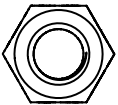
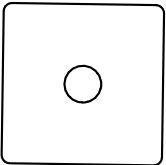


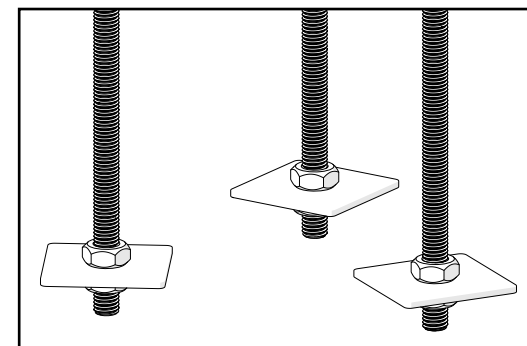
|   |   |    |
|---|---|----|
| A |    | x3 |
| B |    | x3 |
| C |  | x3 |
| D |  | x3 |



# 2.



|   |   |    |
|---|---|----|
| D |  | x6 |
| E |  | x3 |

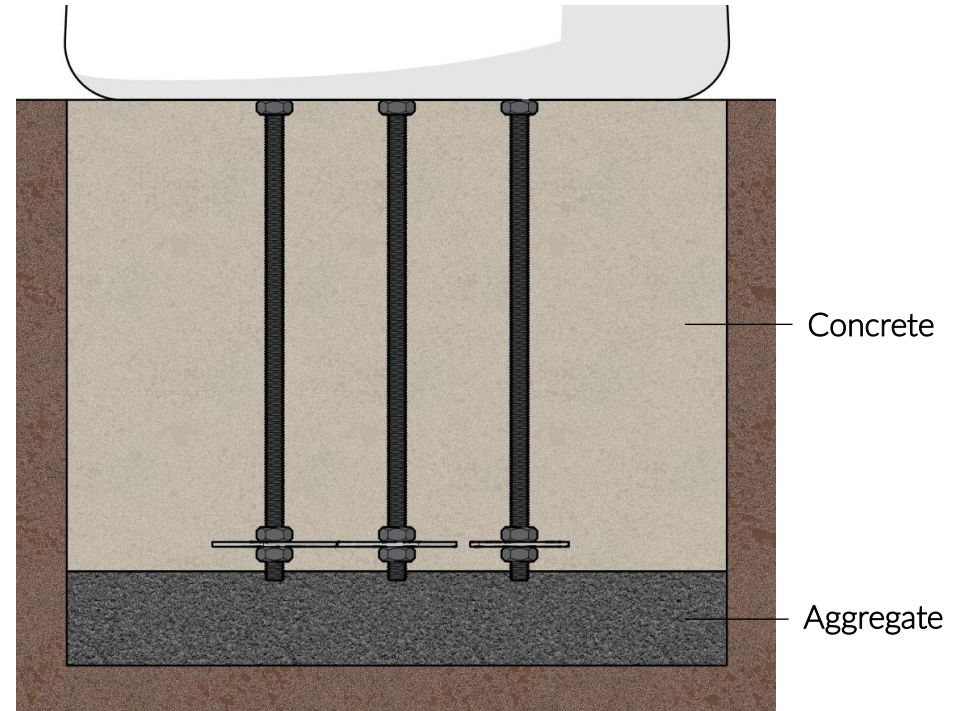
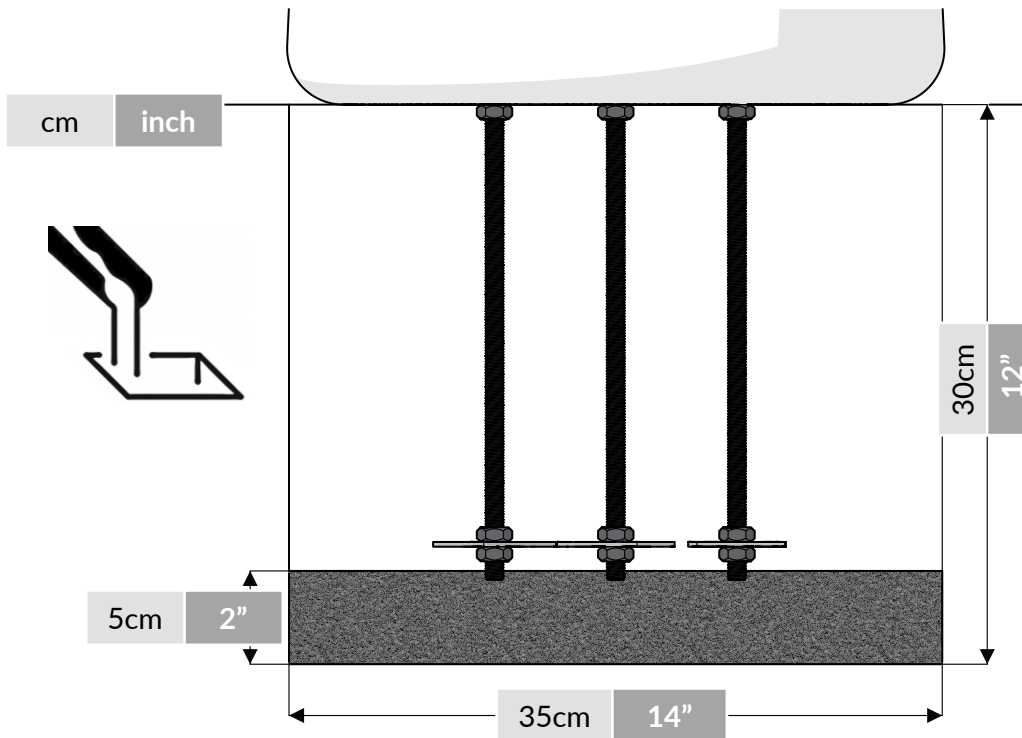
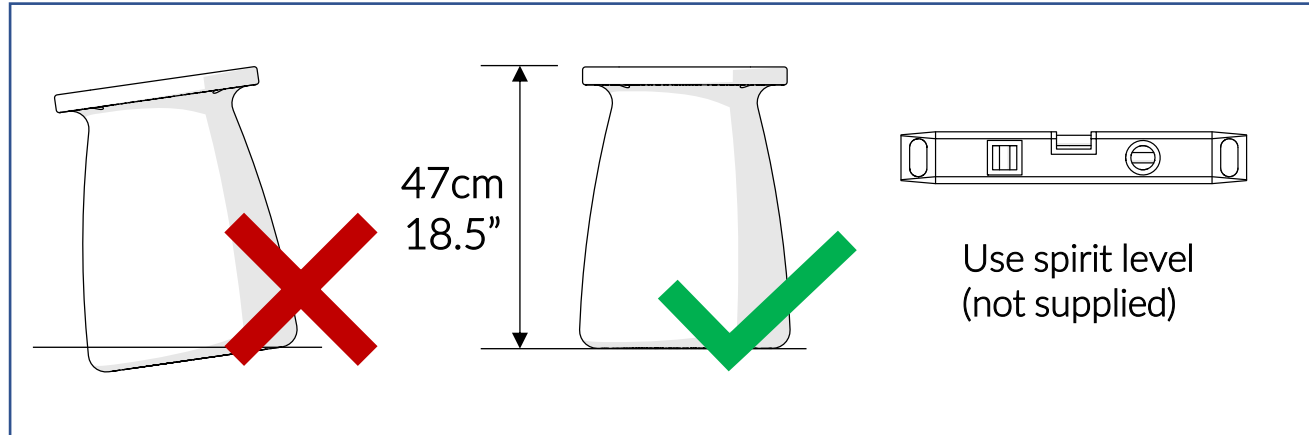


# 3.

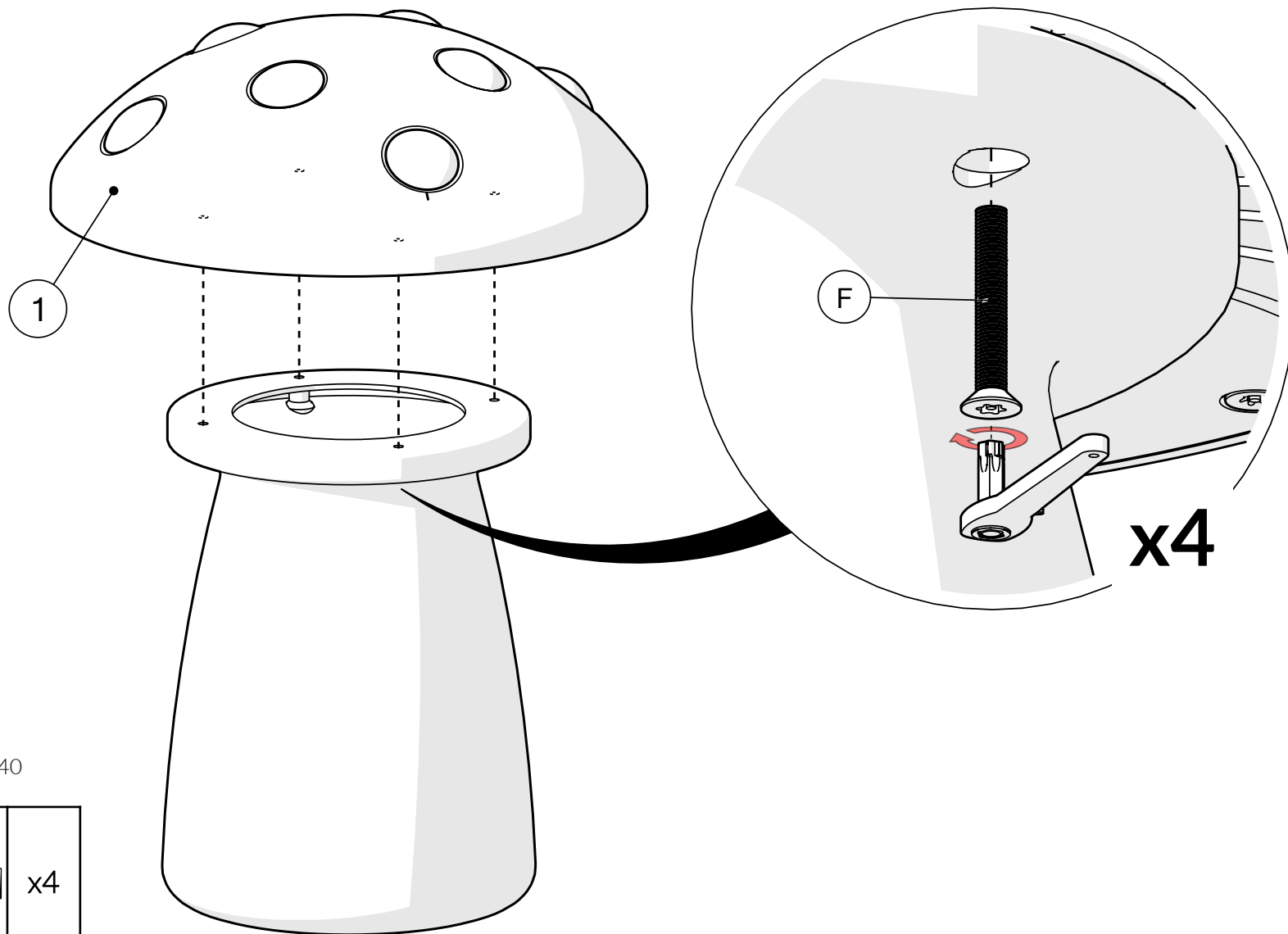


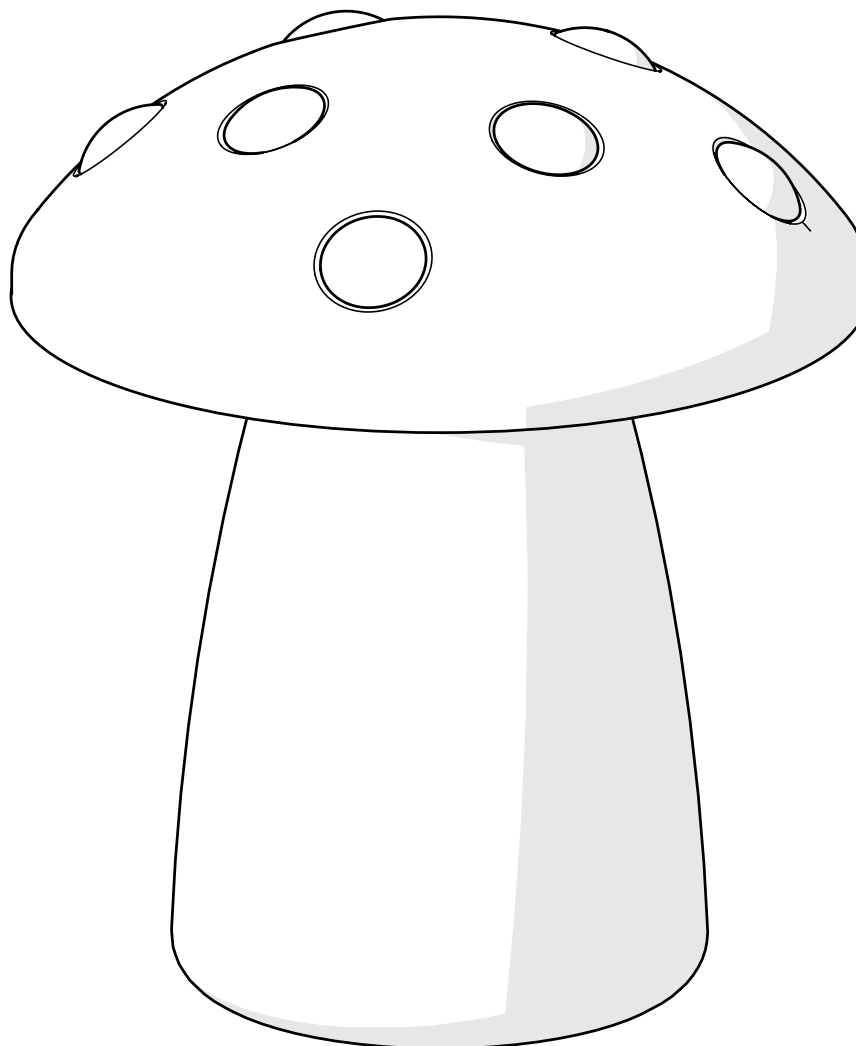
Foundations should not present a hazard

Refer to your local Health & Safety standards



4.





[percussionplay.com](http://percussionplay.com)



[info@percussionplay.com](mailto:info@percussionplay.com)



UK  
[01730 235 180](tel:01730235180)

USA & CAN  
[+1 \(866\) 882 9170](tel:+18668829170)

EUR & ROW  
[+44 1730 235 180](tel:+441730235180)