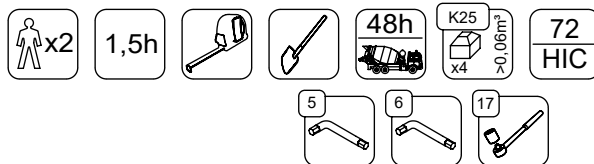
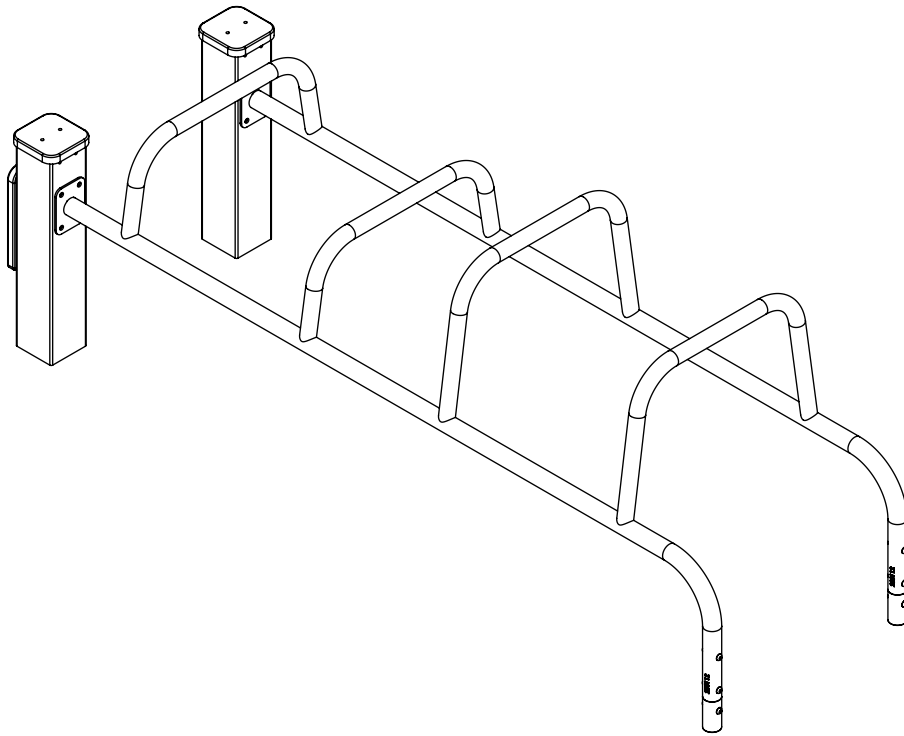
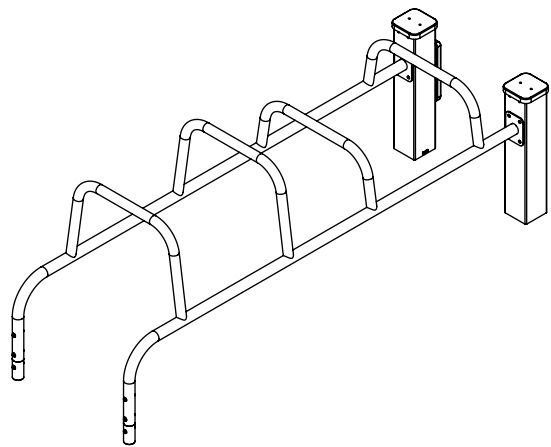
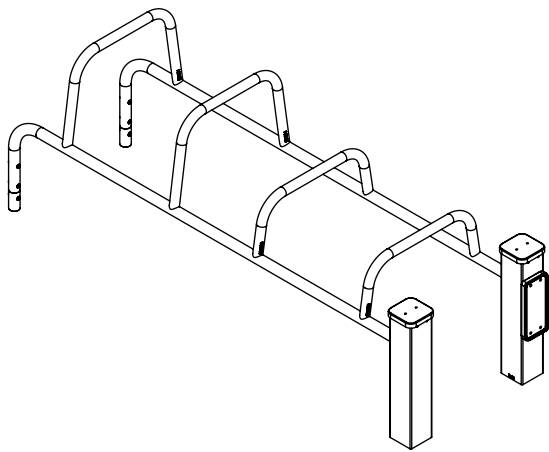
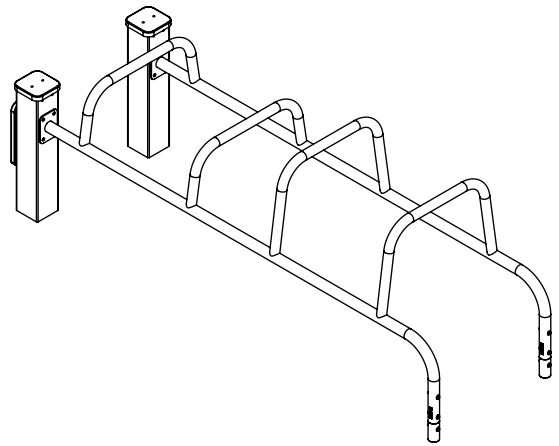
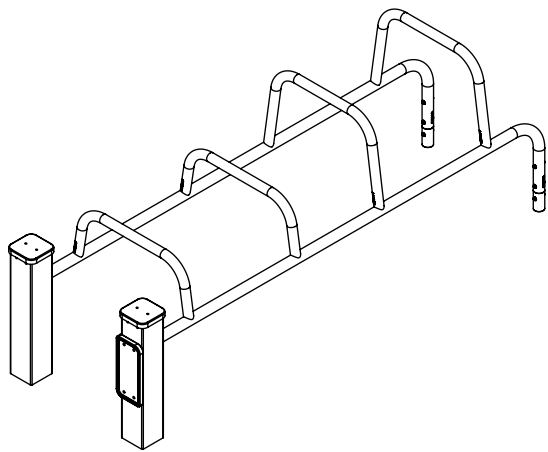


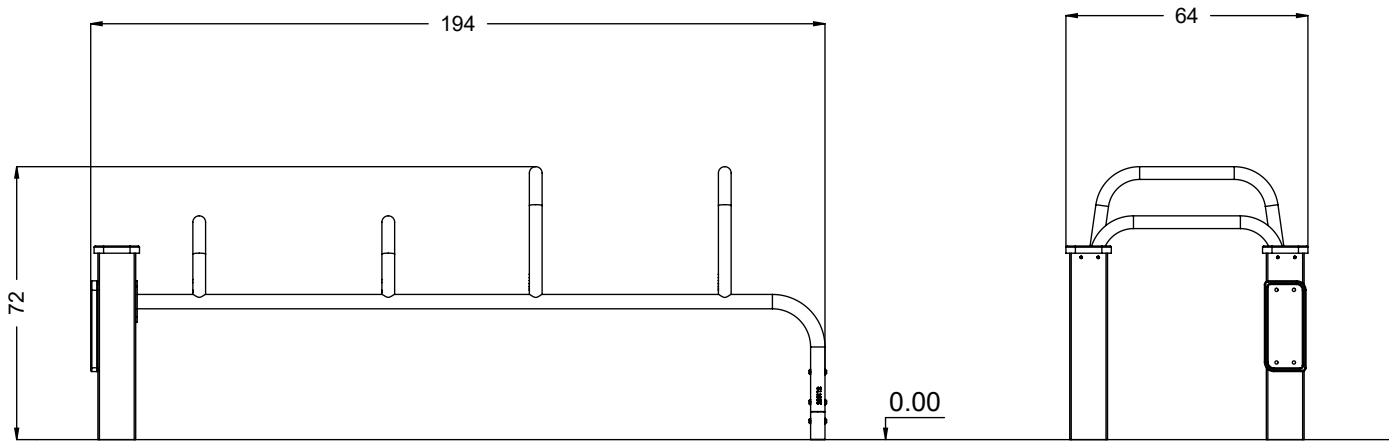
# 2301



v011  
02.02.2022  
I.A.  
[cm]

vinci  
play

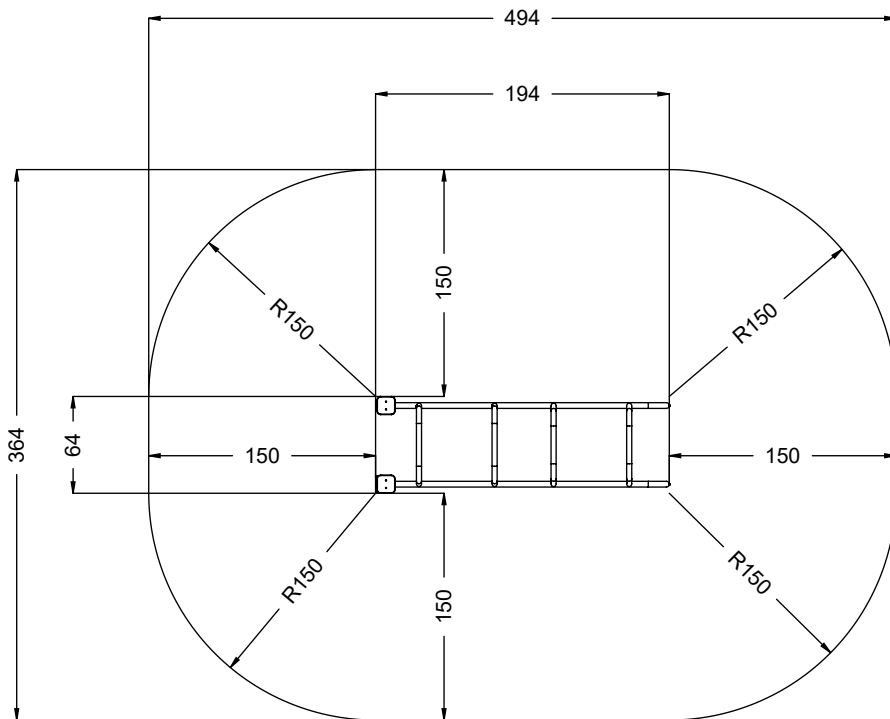




[cm]



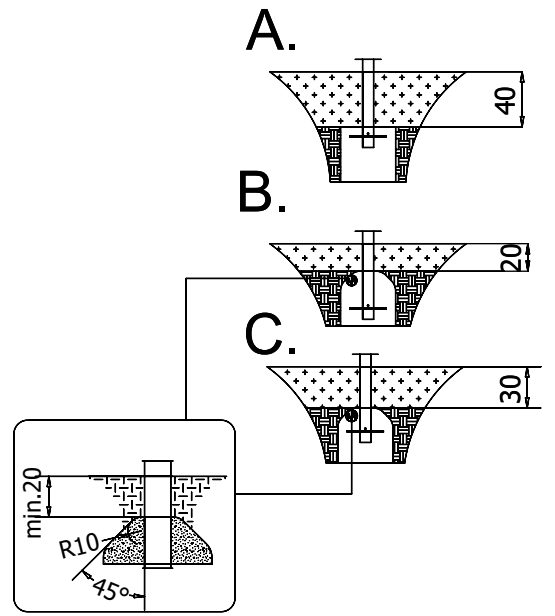
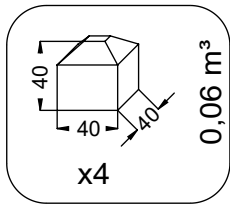
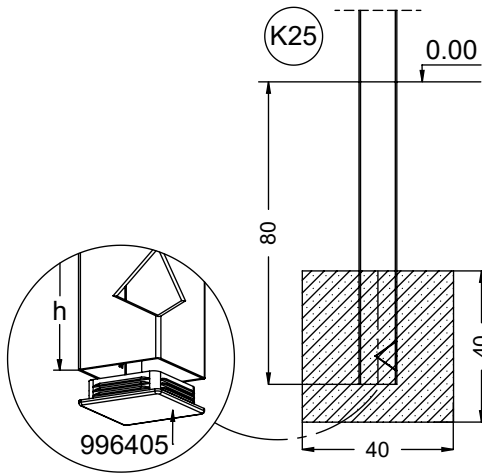
vinci  
play



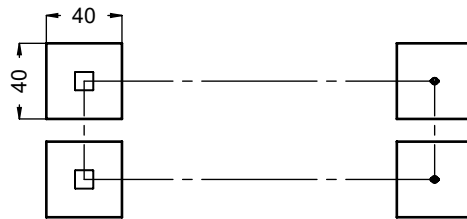
[cm]



vinci  
play



K25



[cm]

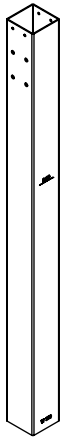


1,5h

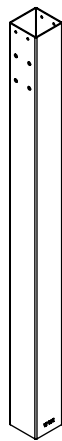


>0,06m³

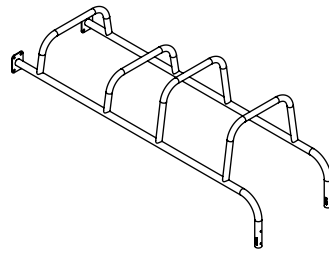
vinci play



237100  
x1



237101  
x1



232101  
x1

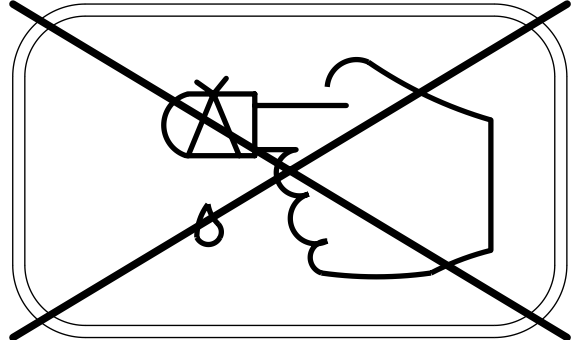
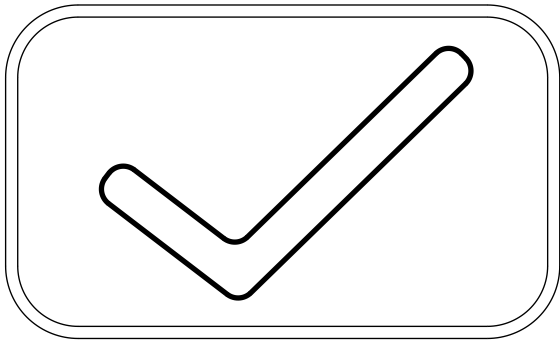
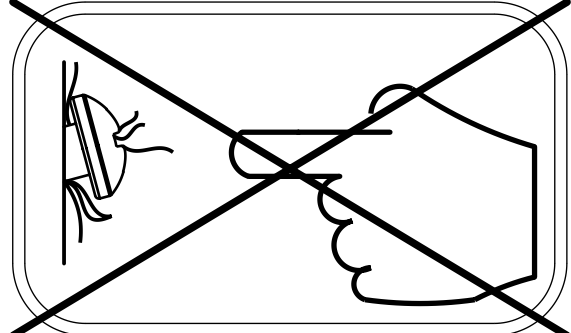
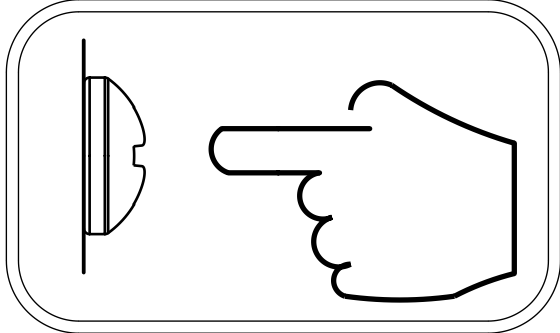
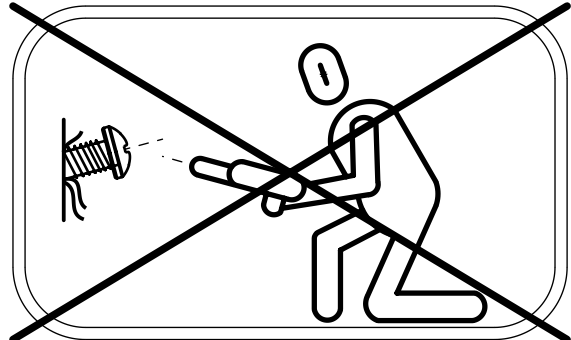
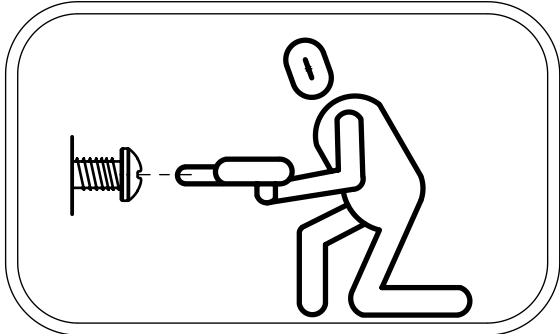


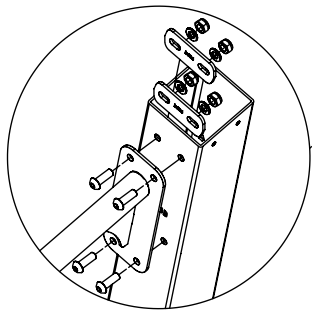
233119  
x2



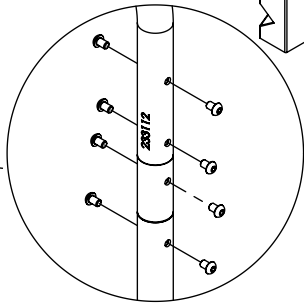
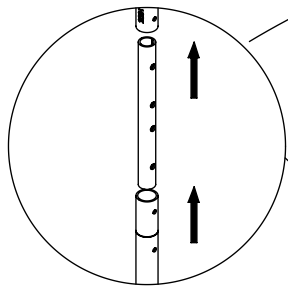
233118  
x2

ST/INOX	
2x	23e001
2x	23e004
1x	23e003
1x	236101
2x	996405
8x	M8x16

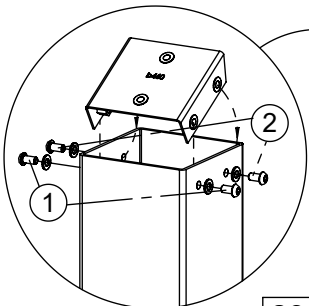
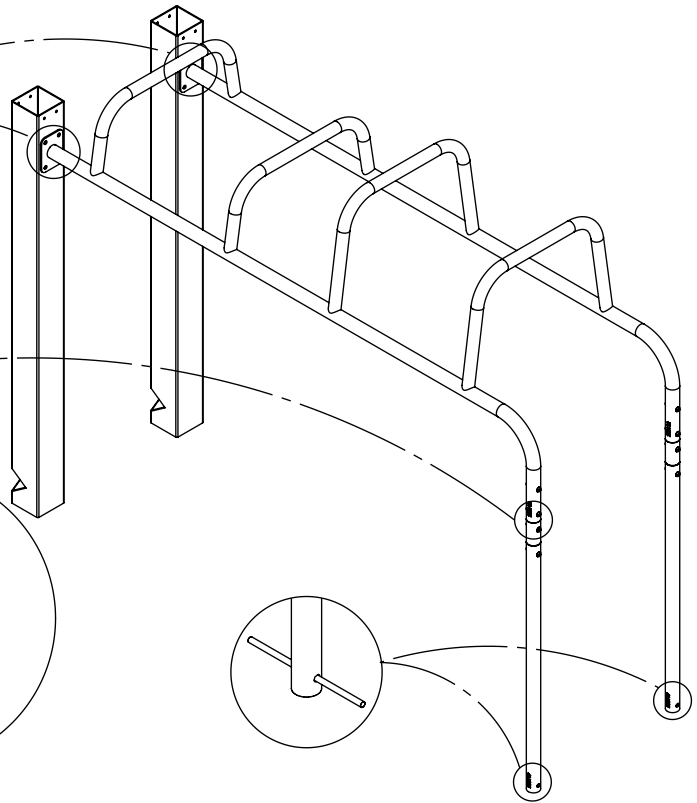
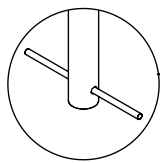




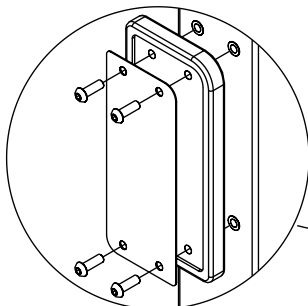
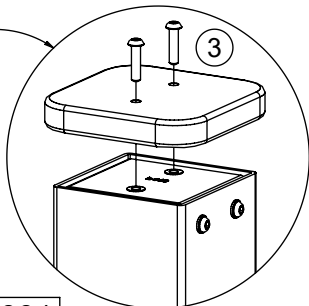
2x **23e004**



8x **M8x16**

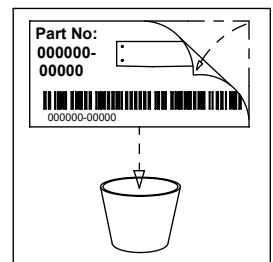
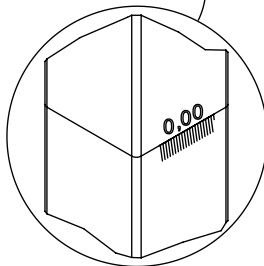
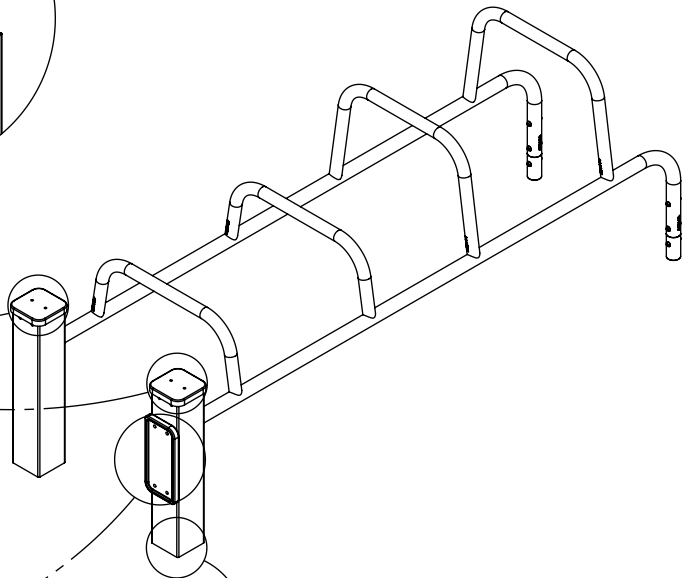


2x **23e001**



1x **23e003**

1x **236101**



[cm]

vinci  
play