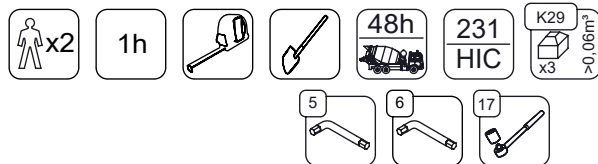
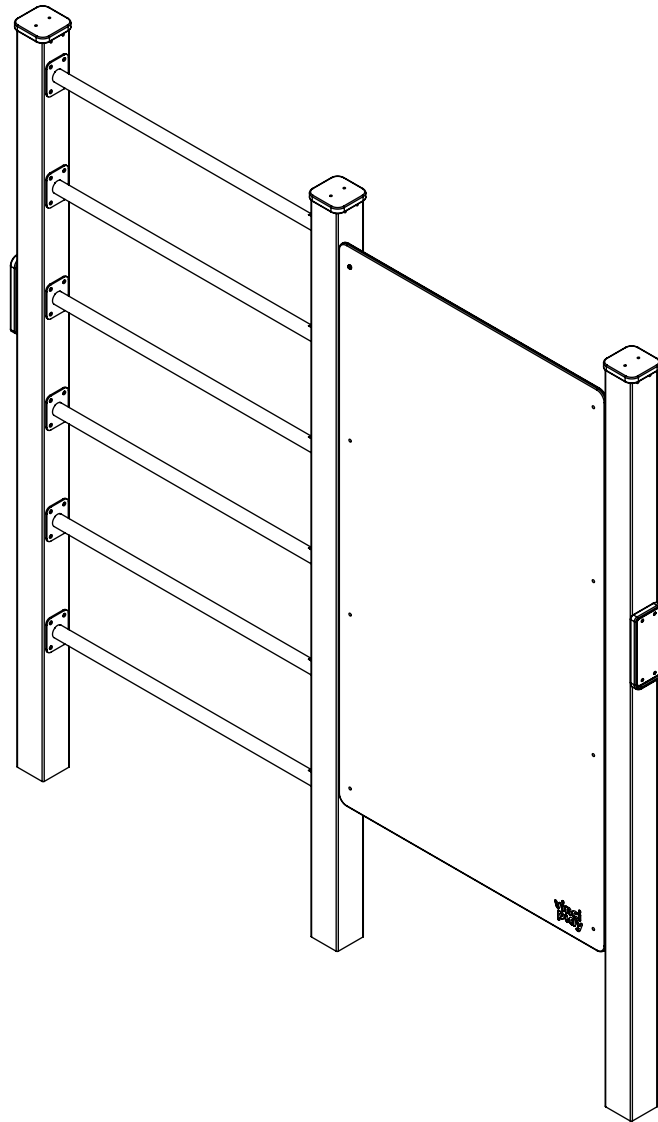
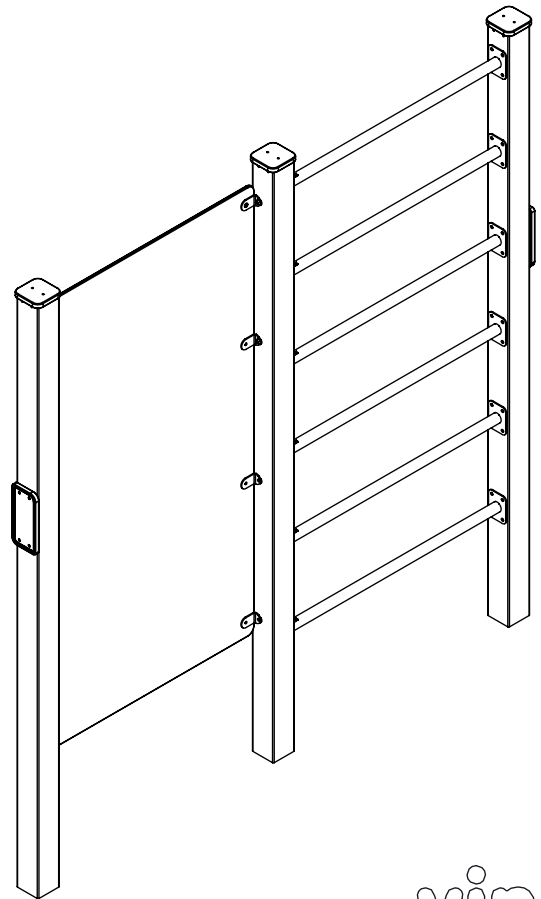
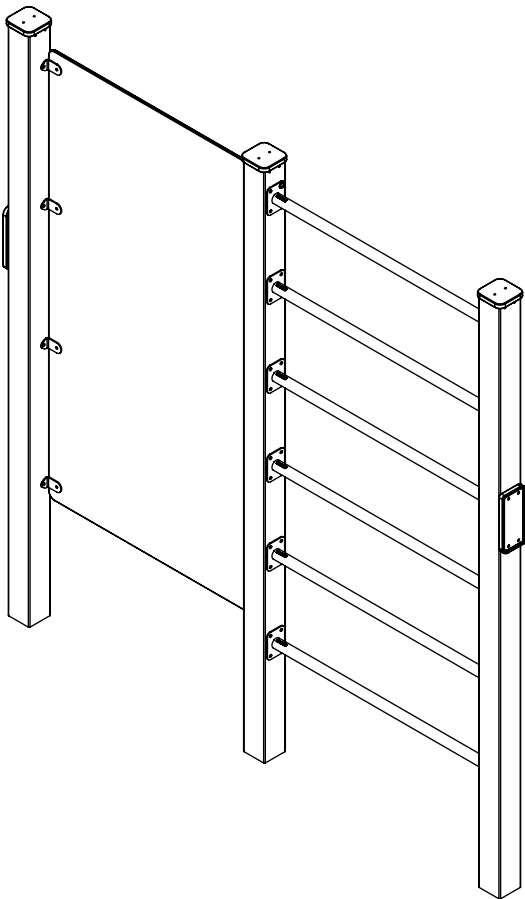
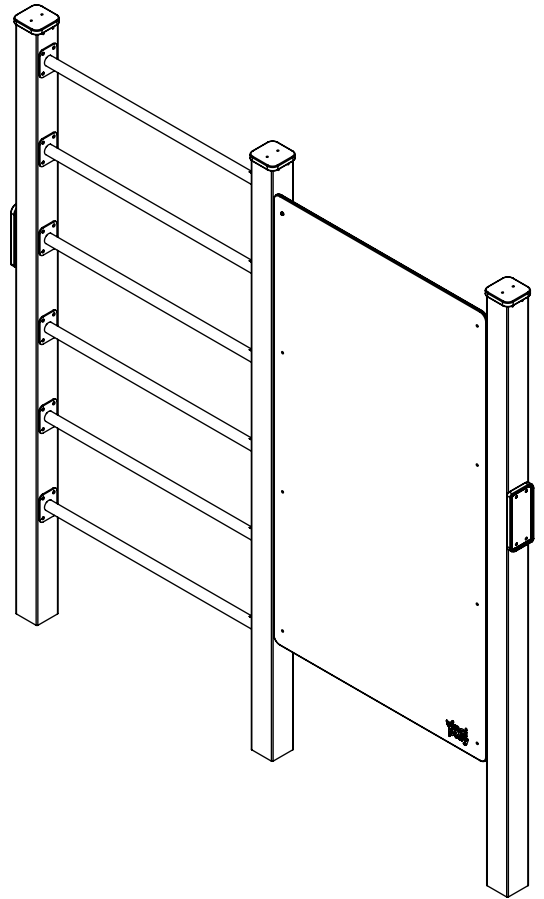
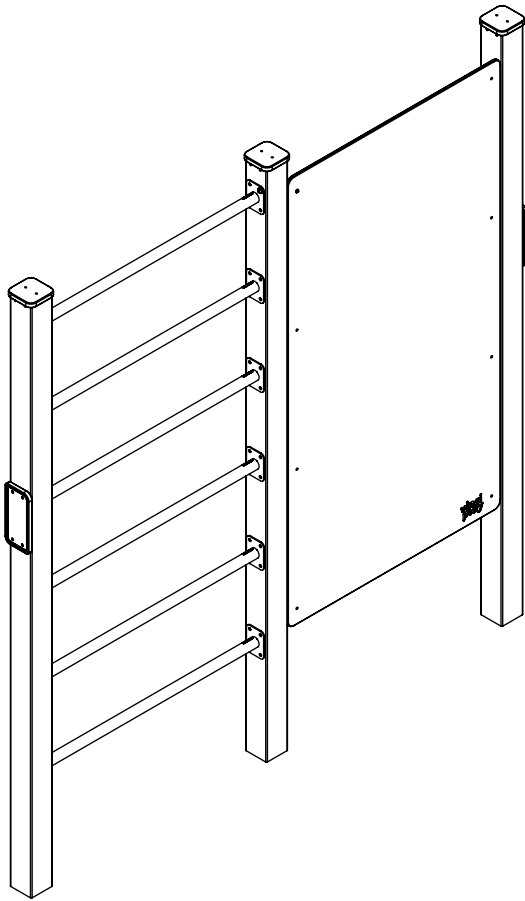


# 2308



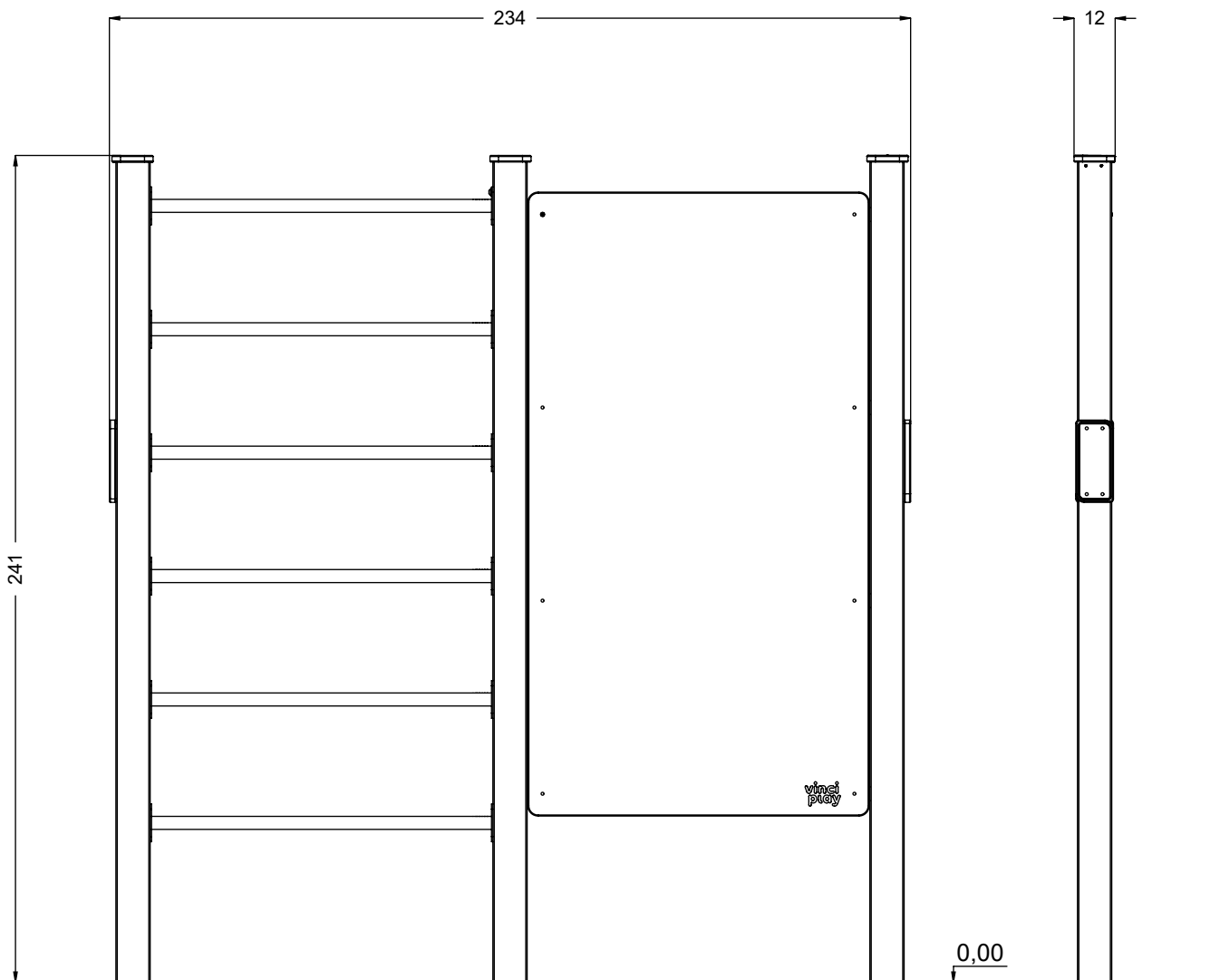
v010  
02.07.2021  
A. H.  
[cm]

vinci  
play



[cm]

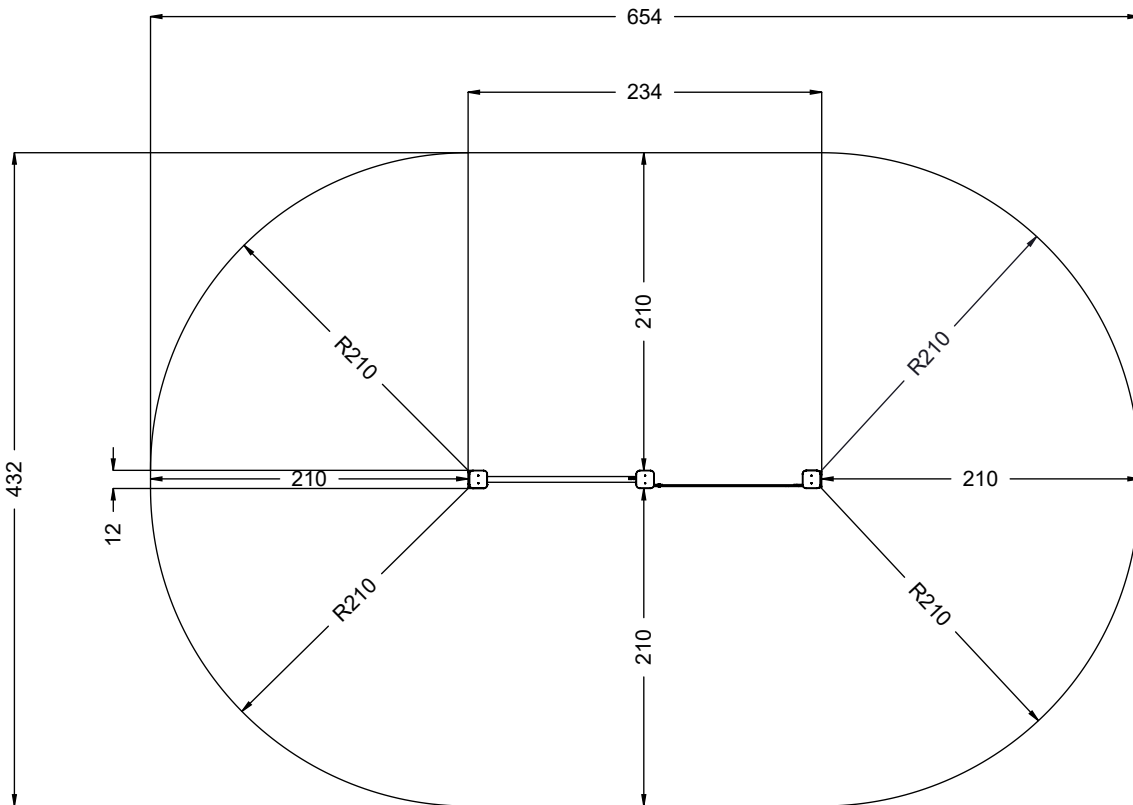
vinci  
play



[cm]



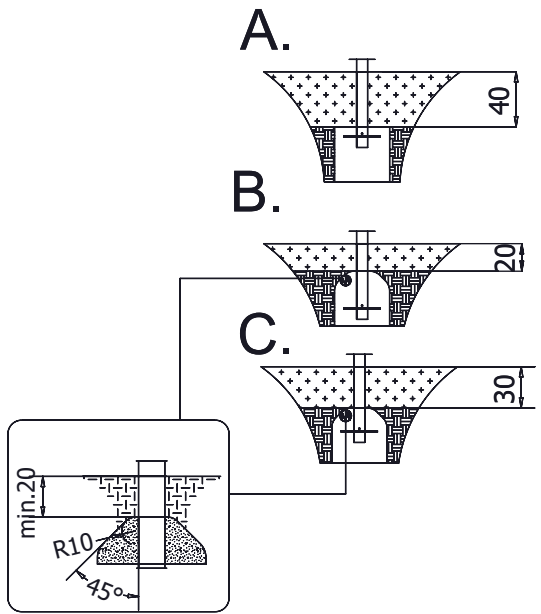
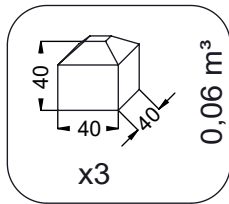
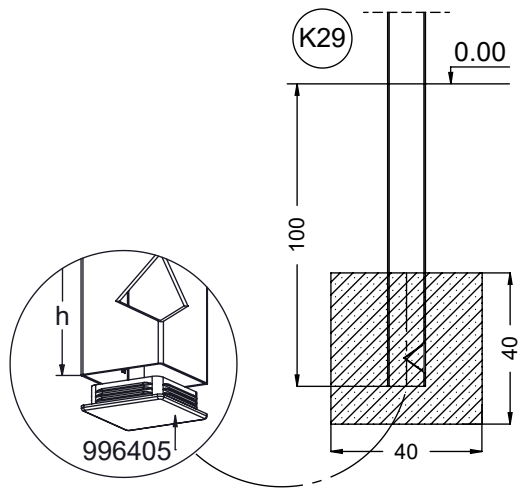
vinci  
play



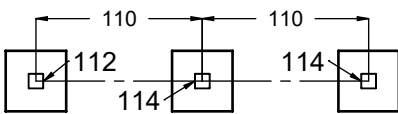
[cm]



vinci  
play



K29



[cm]

x2   
 1h   
   
   
 48h   
 K29 x3 >0,06m³

vinci play



237112  
x1



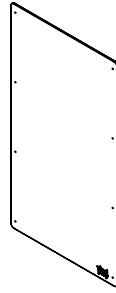
237113  
x1



237114  
x1

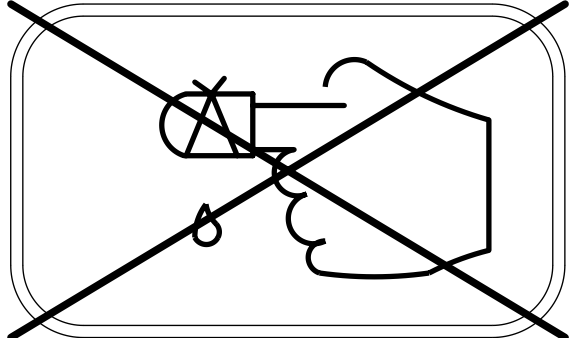


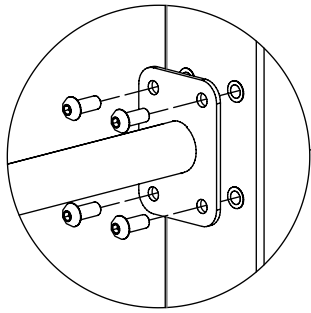
232100  
x6



231102  
x1

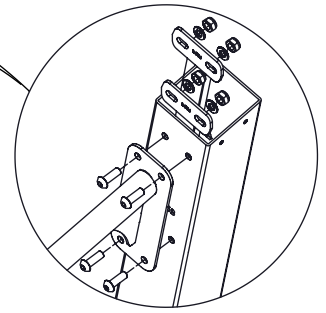
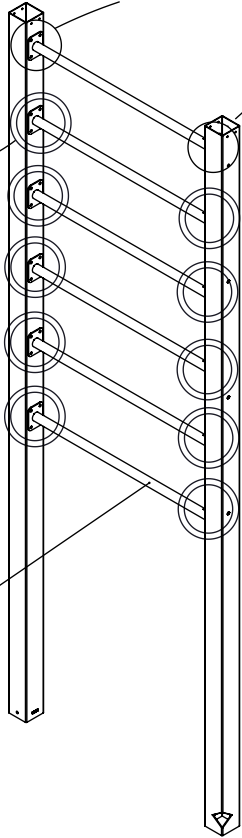
ST/INOX	
3x	23e001
2x	23e004
10x	23e008
2x	23e003
1x	236108
1x	236109
3x	996405



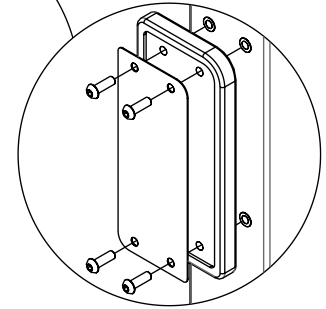
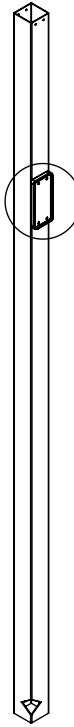


10x **23e008**

232100  
6x

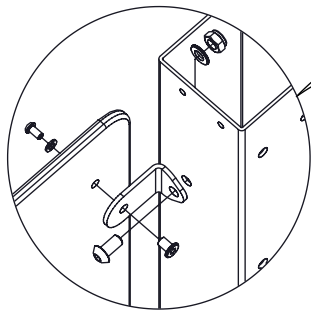


2x **23e004**

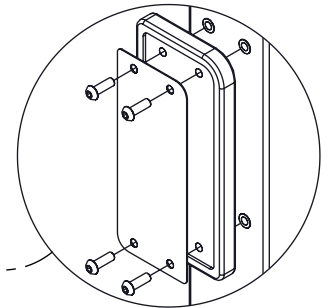
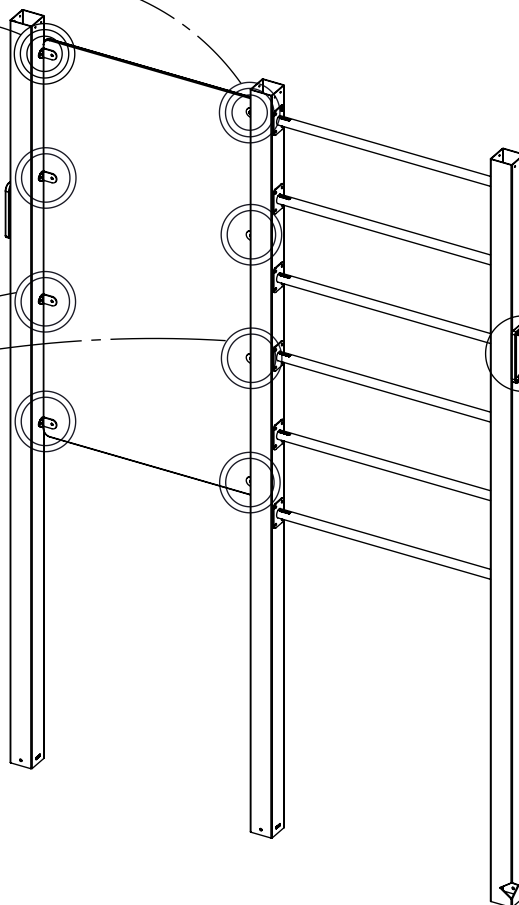
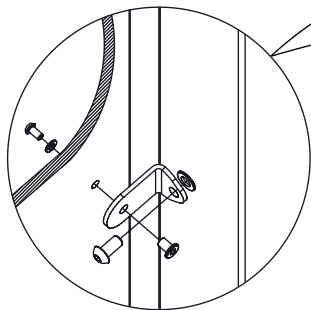


1x **23e003**

1x **236108**



1x **23e044**



1x **23e003**

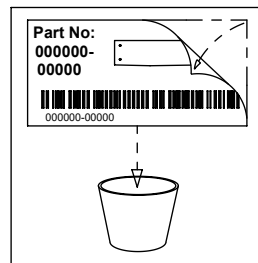
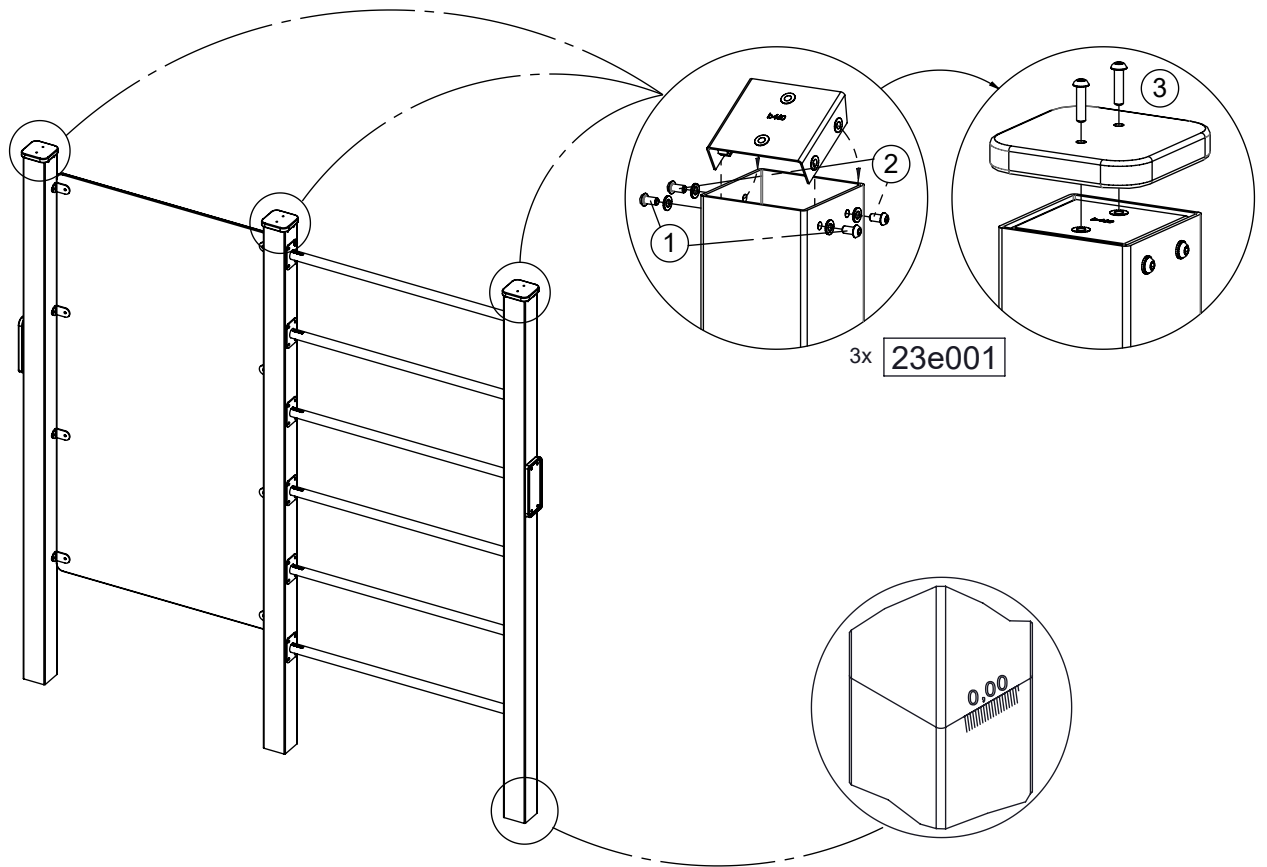
1x **236109**



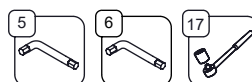
[cm]

vinci  
play





[cm]



vinci  
play