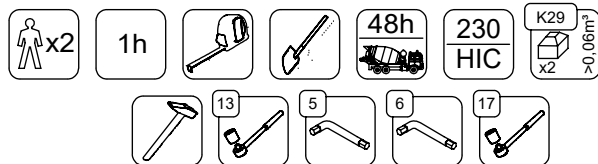
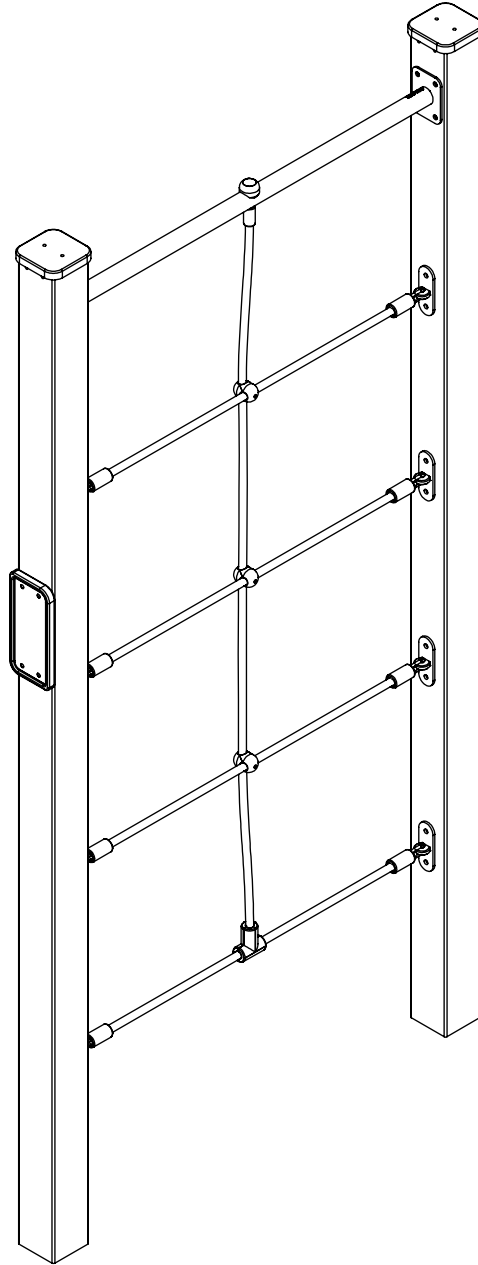
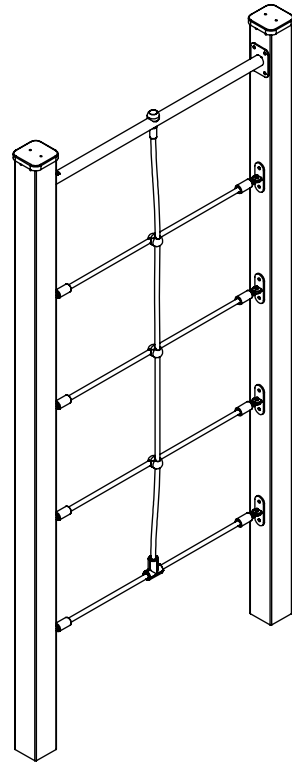
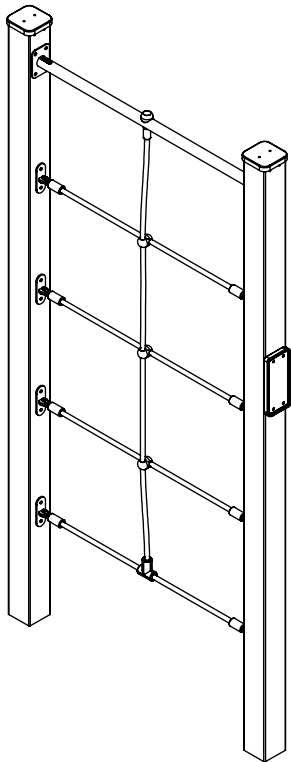
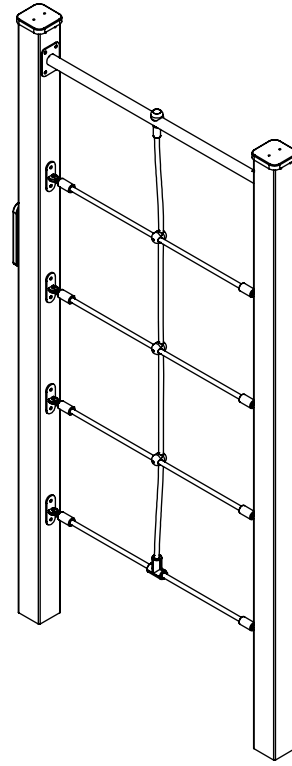
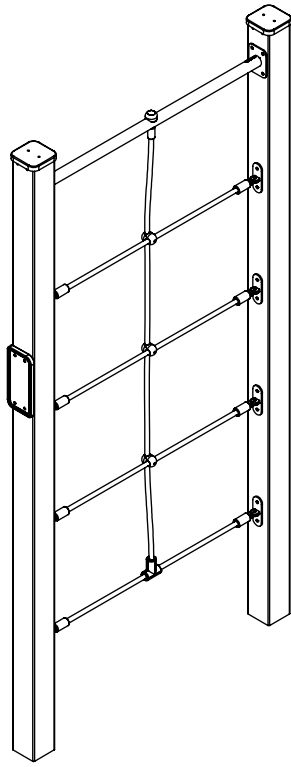


2310



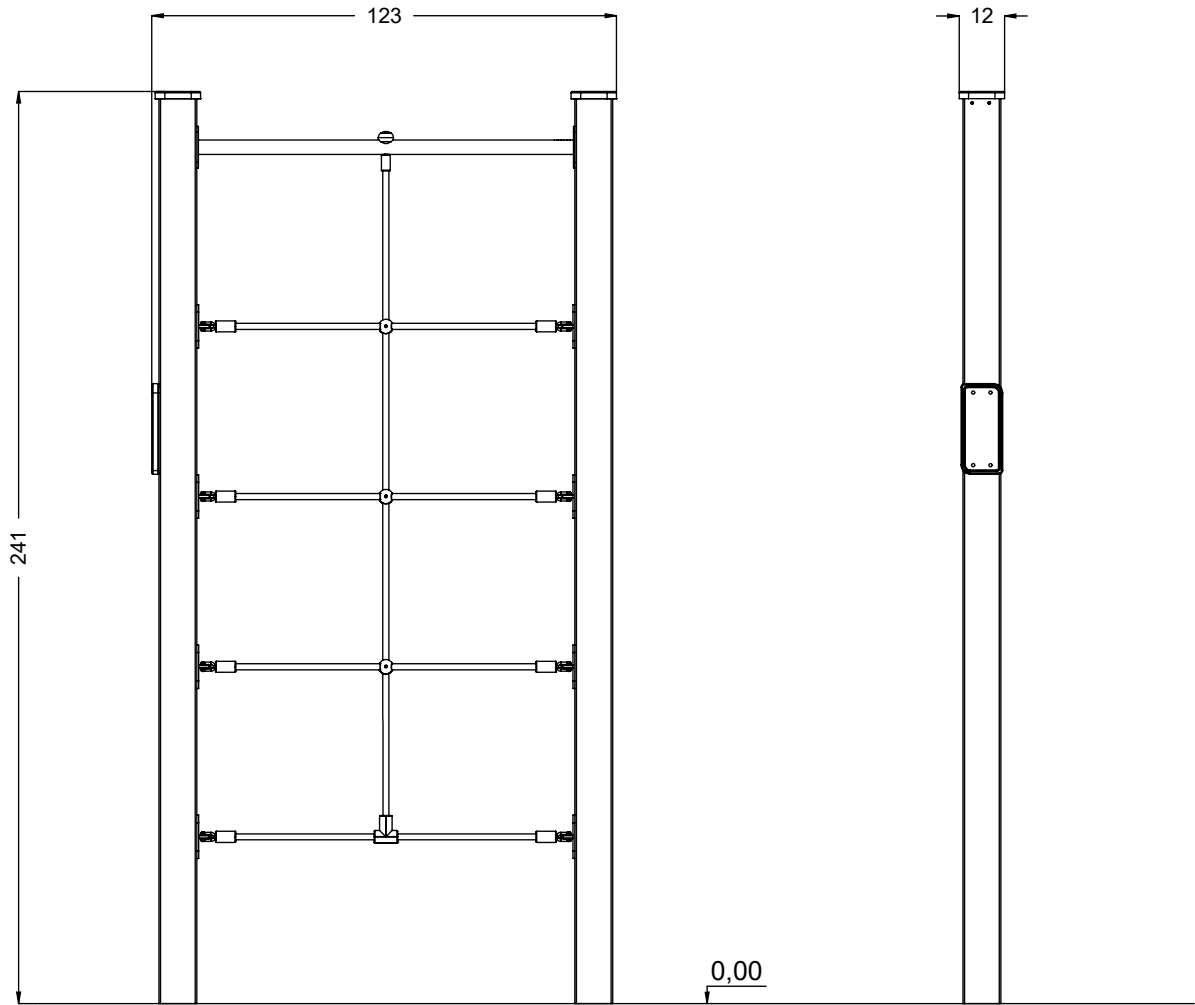
v010
19.05.2022
D. P.
[cm]

vinci
play



[cm]

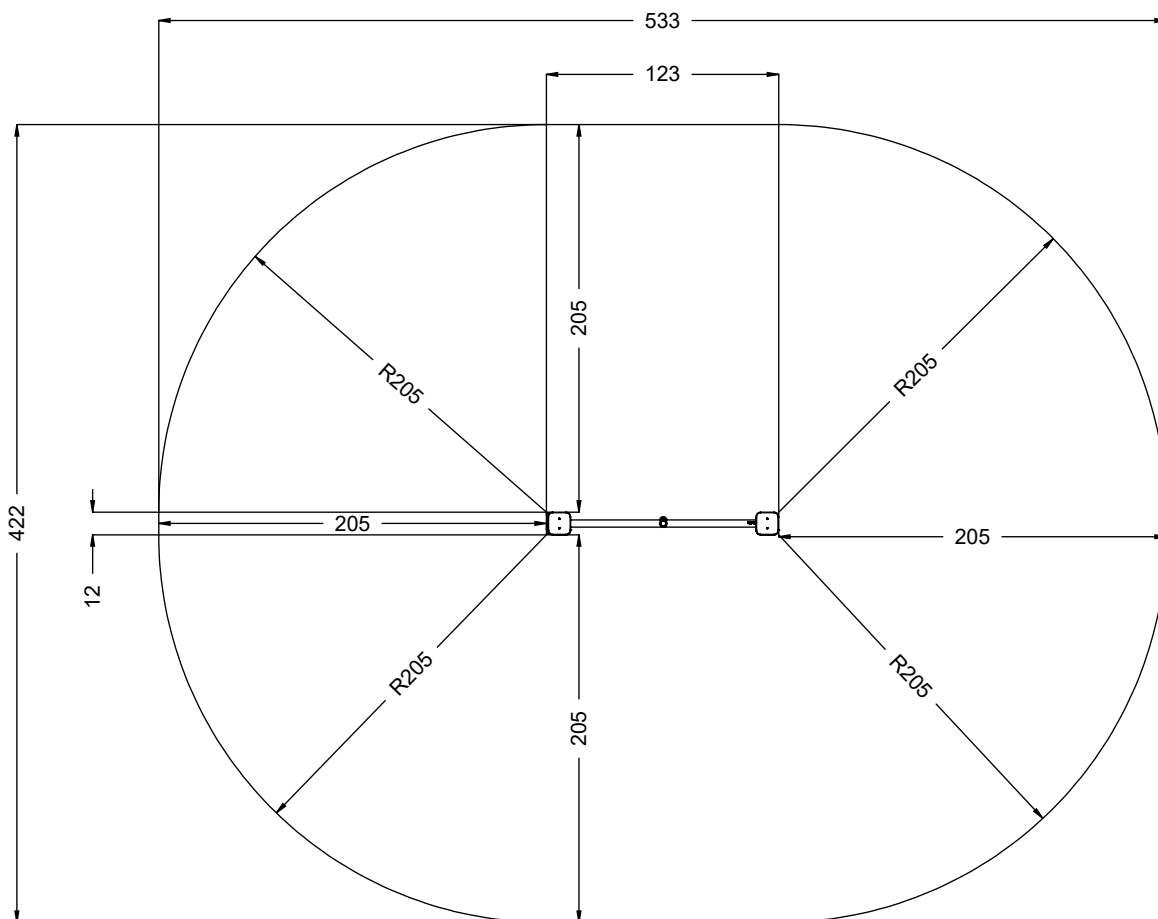
vinci
play



[cm]



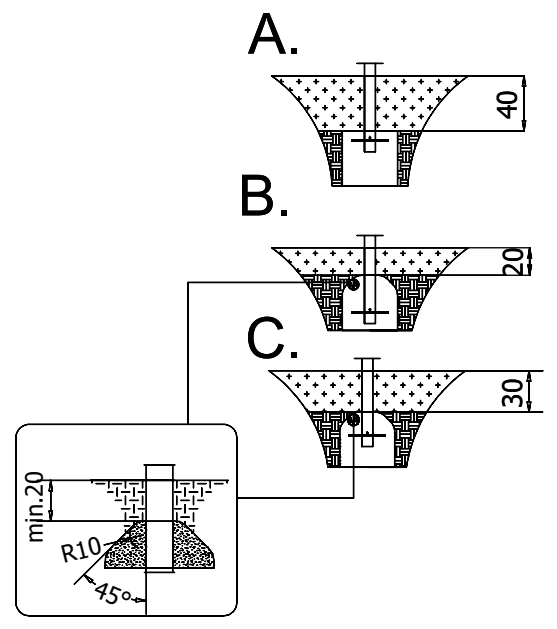
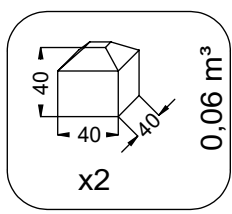
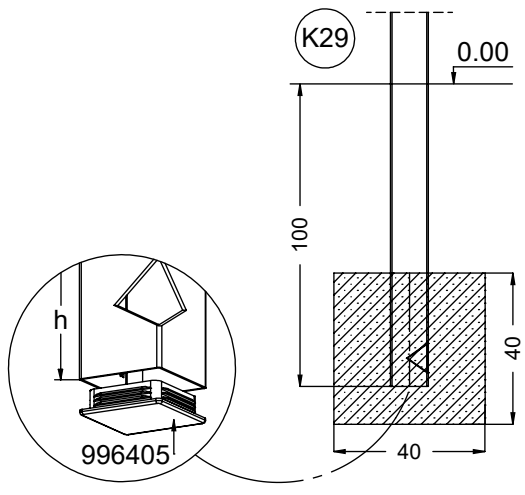
vinci
play



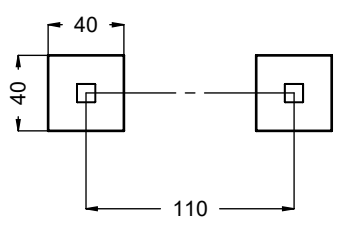
[cm]



vinci
play



K29

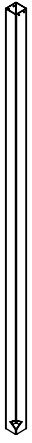


[cm]

x2
 1h

 48h
 K29 x2 >0,06m³

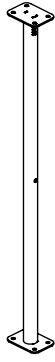
vinci play



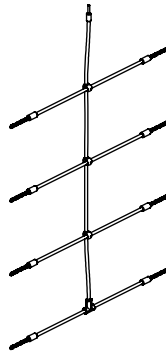
237117
x1



237116
x1

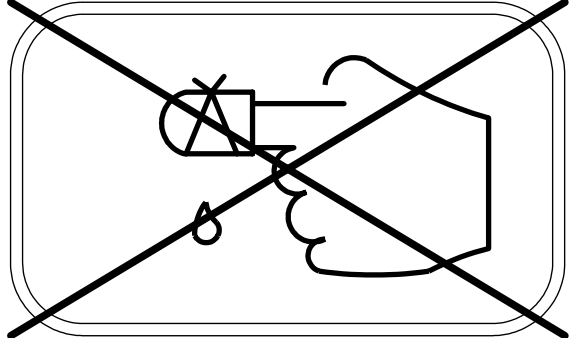
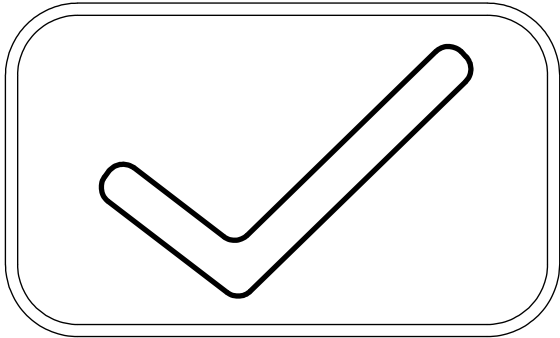
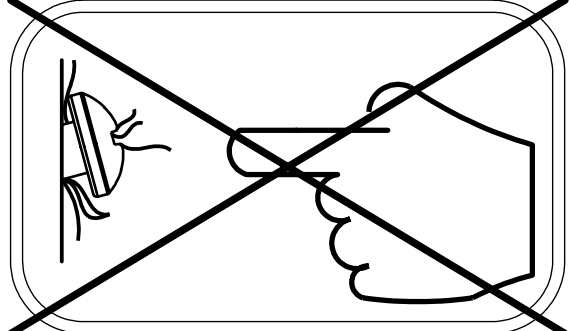
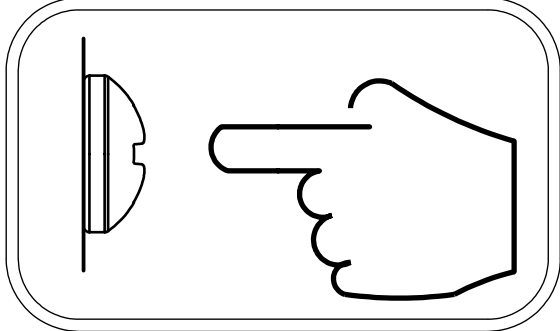
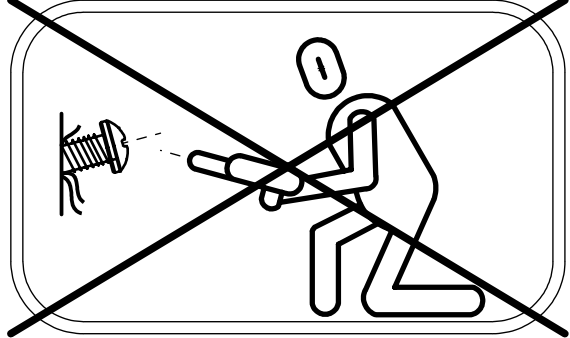
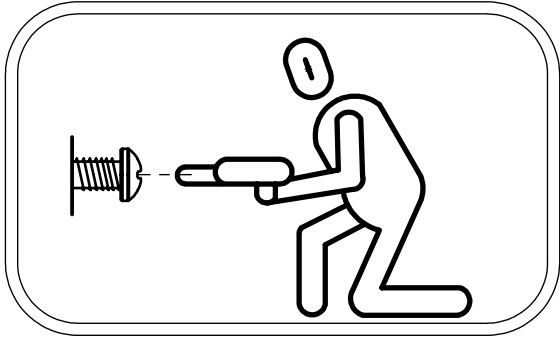


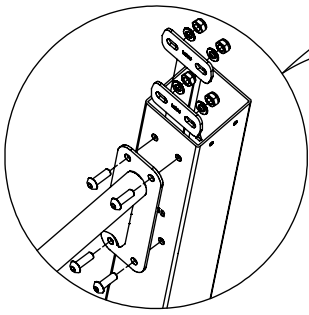
232107
x1



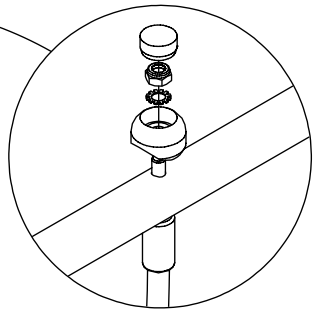
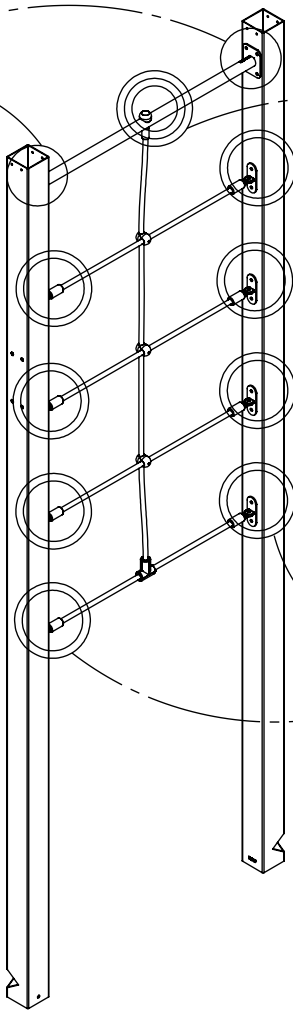
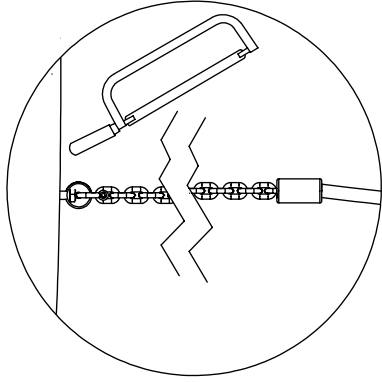
234100
x1

ST/INOX	
2x	23e001
2x	23e004
1x	23e041
1x	23e003
1x	236110
2x	996405

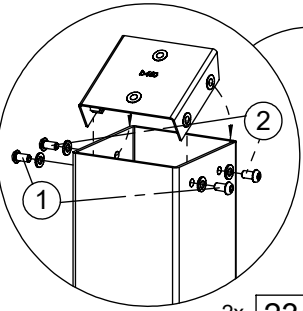
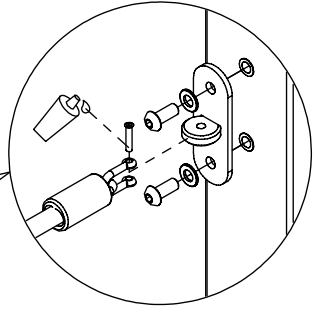




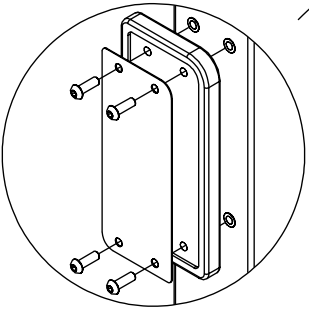
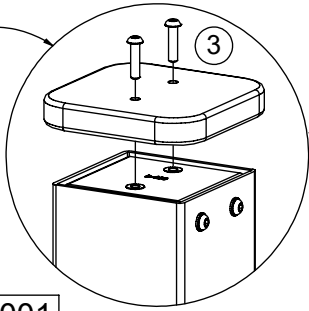
2x 23e004



1x 23e041

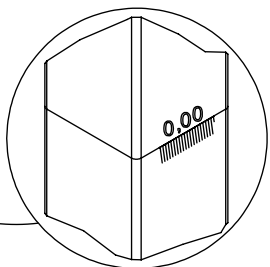
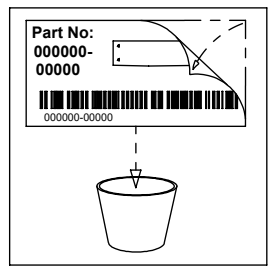
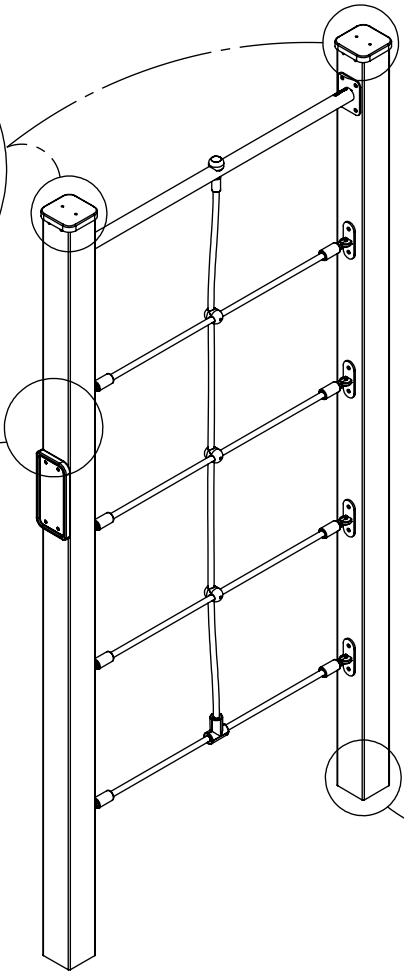


2x 23e001

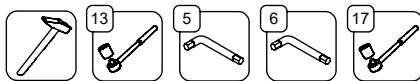


1x 23e003

1x 236110



[cm]



vinci play