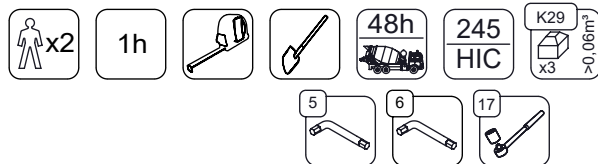
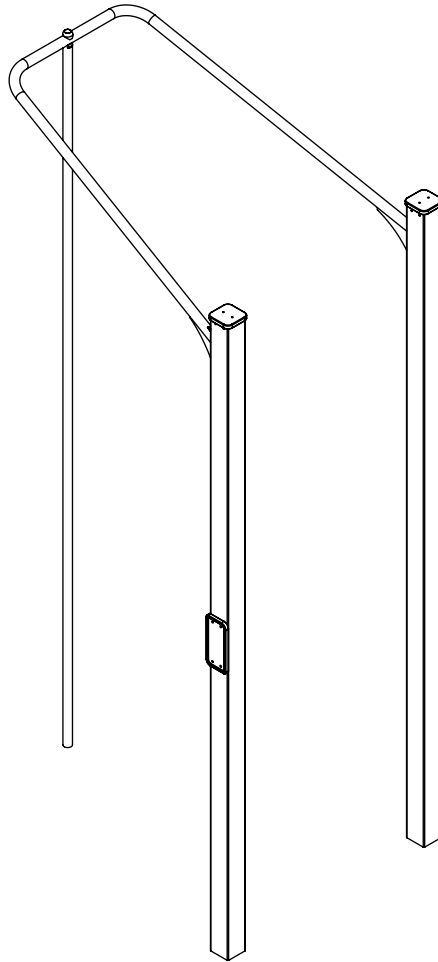
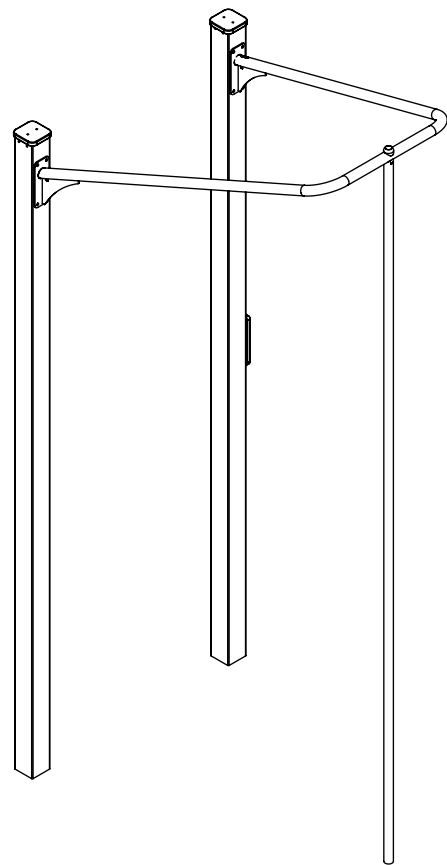
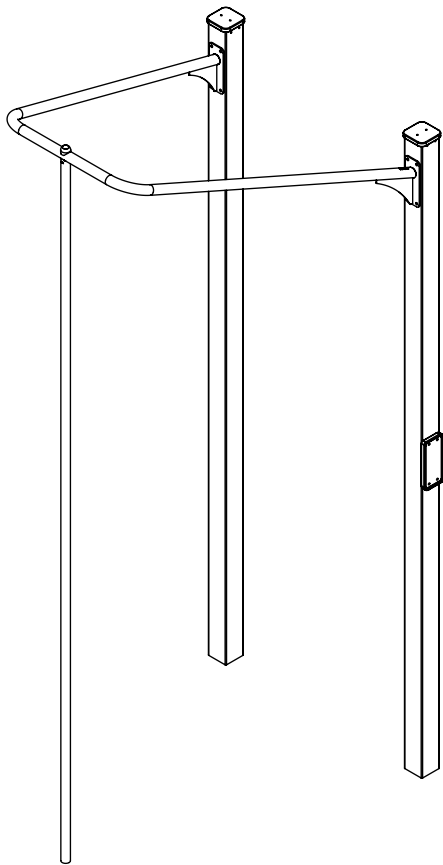
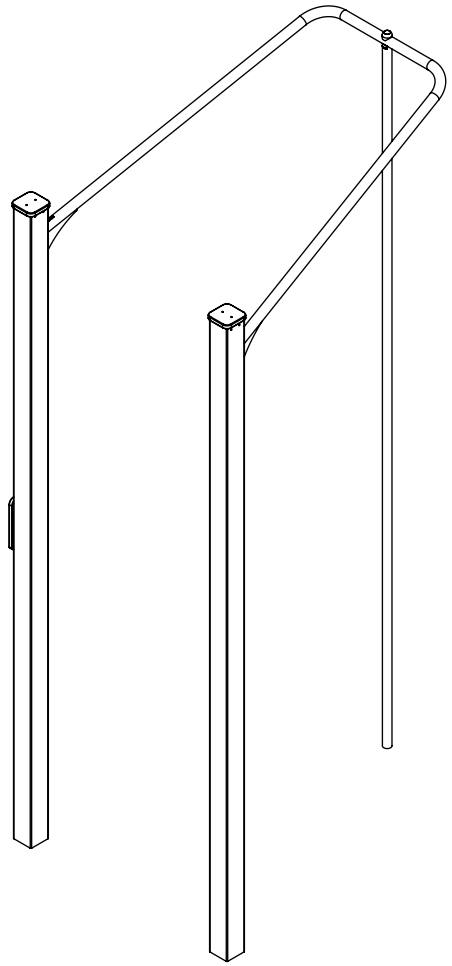
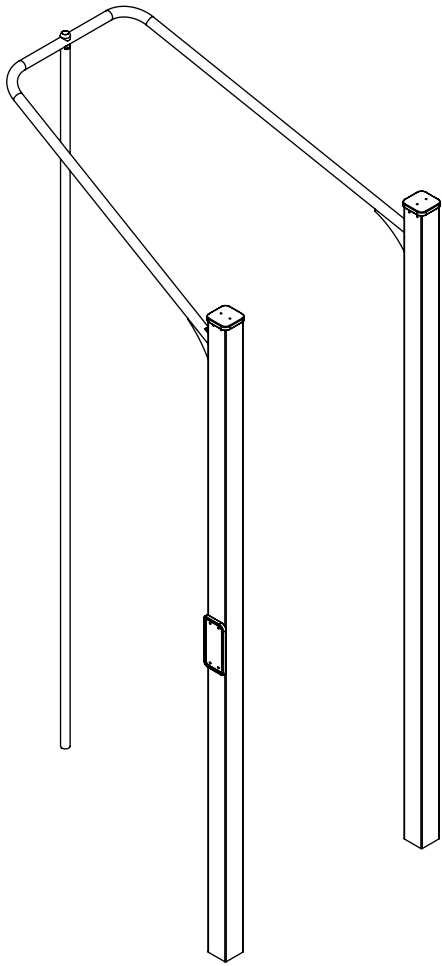


# 2311



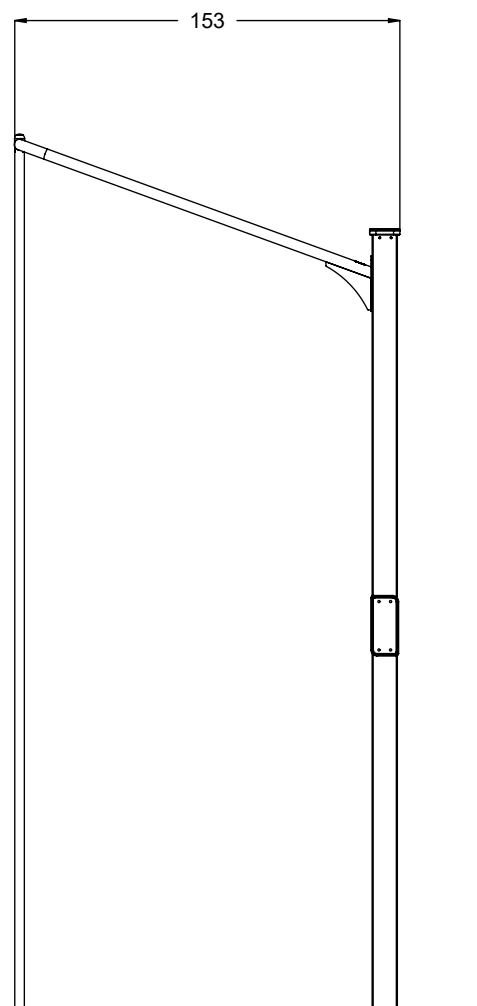
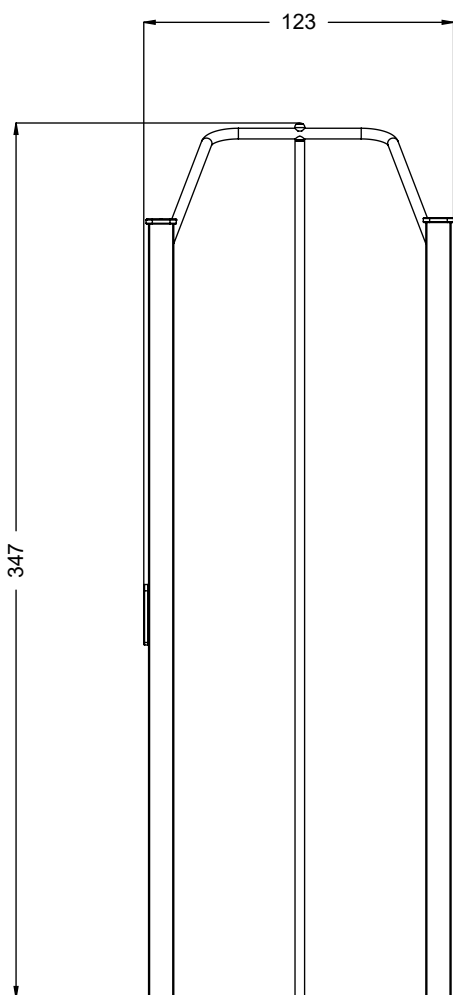
v010  
02.07.2021  
A. H.  
[cm]

vinci  
play



[cm]

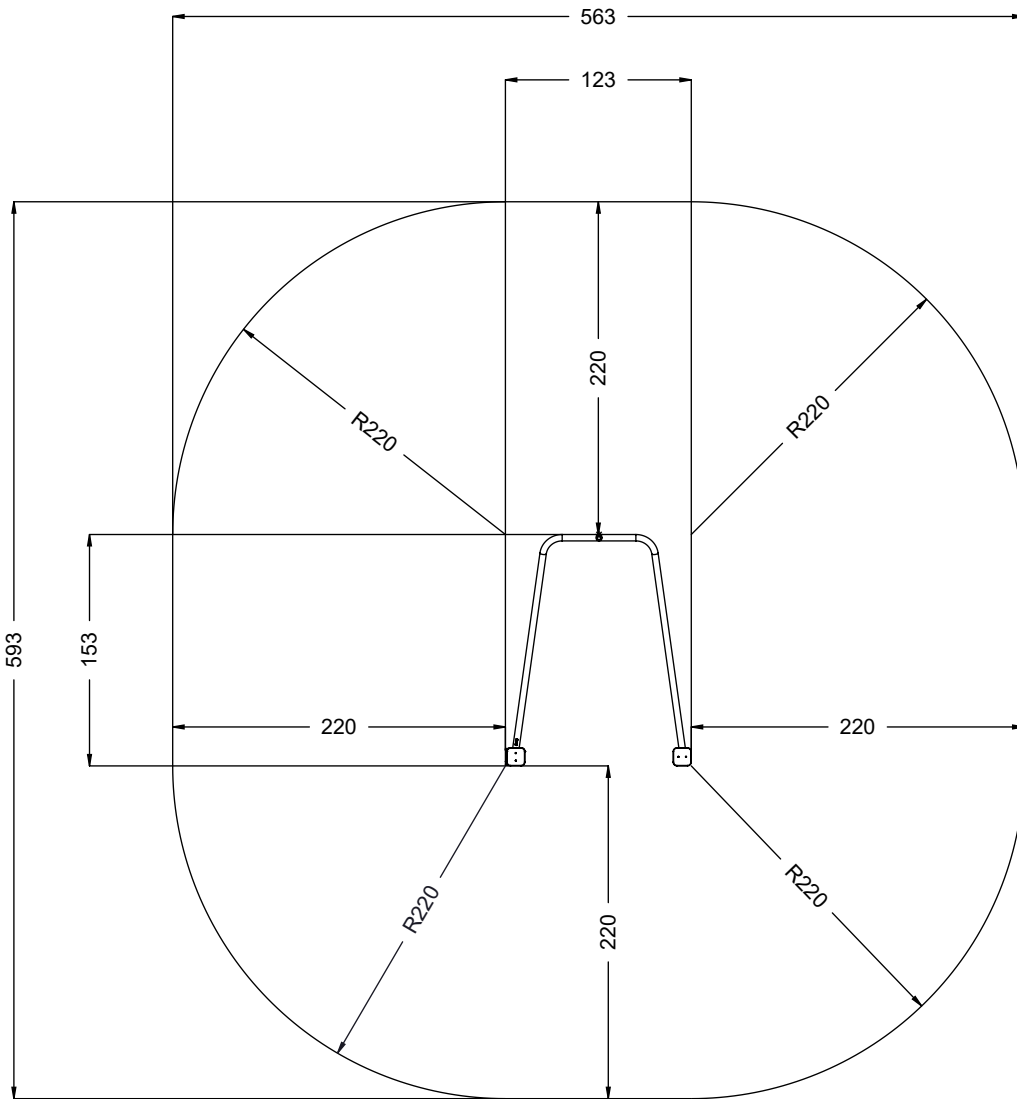
vinci  
play



[cm]



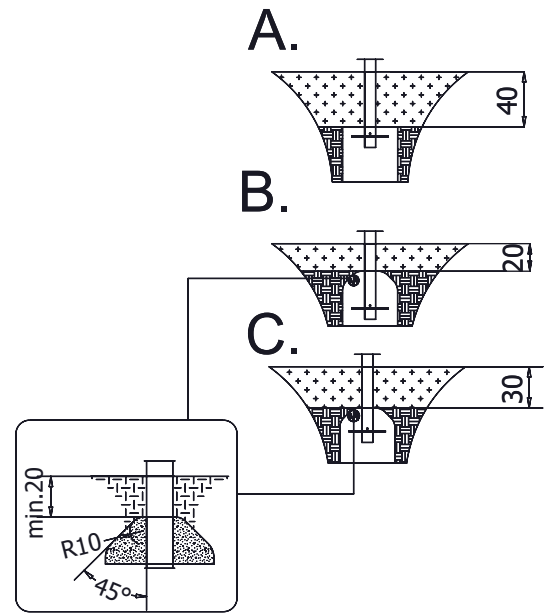
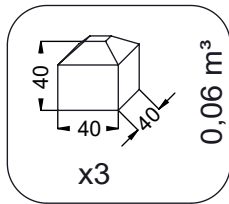
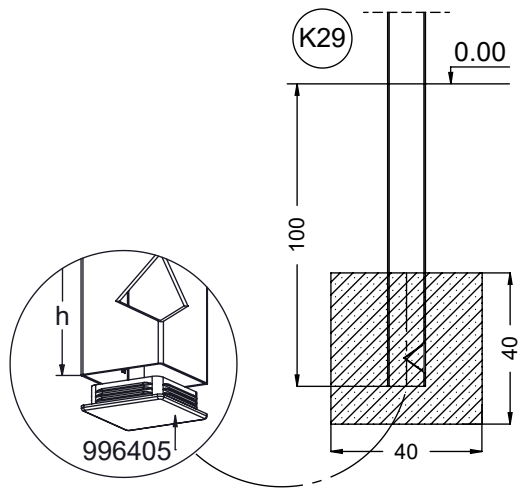
vinci  
play



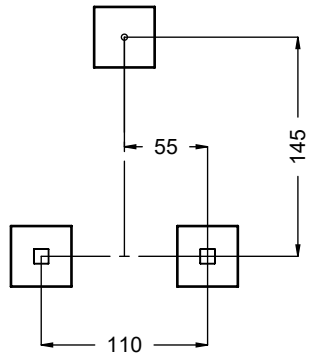
[cm]



vinci  
play



K29



[cm]

x2  
 1h  
  
  
 48h  
 K29 x3 >0,06m³

vinci play



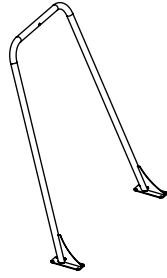
237118  
x1



237123  
x1

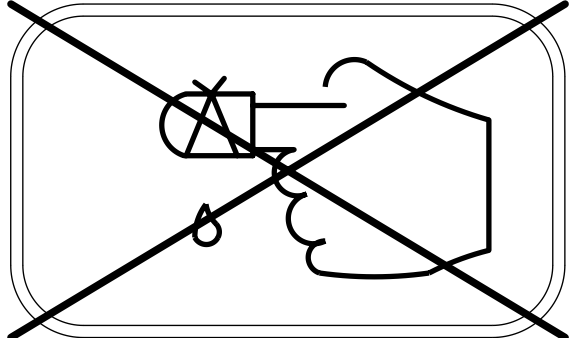


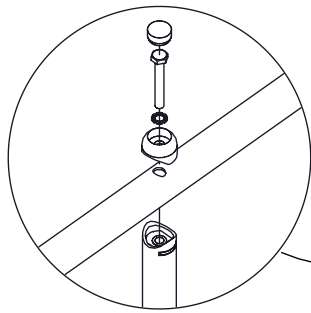
232110  
x1



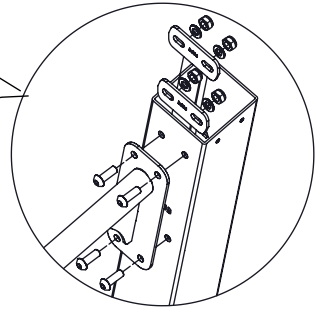
232109  
x1

ST/INOX	
2x	23e001
2x	23e004
1x	23e039
1x	23e003
1x	236111
2x	996405

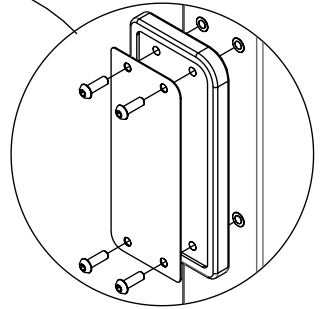
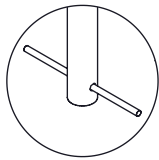




1x **23e039**

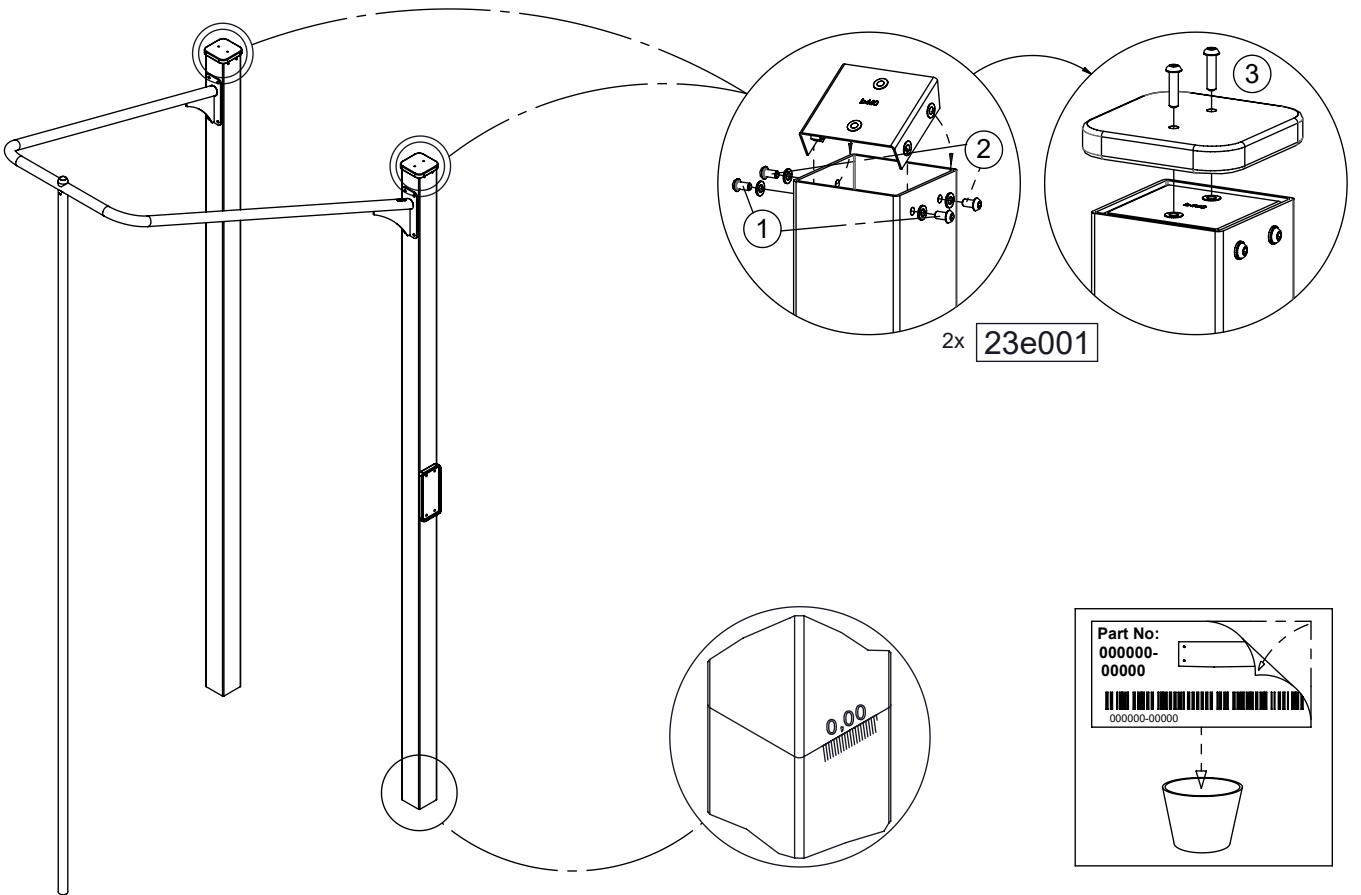


2x **23e004**

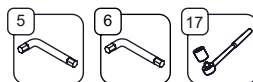
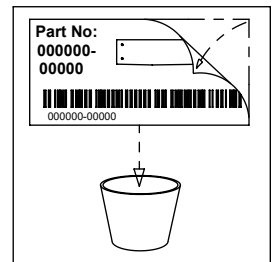


1x **23e003**

1x **236111**



2x **23e001**



[cm]

vinci  
play