

Product technical sheet

WORKOUT 2326



14+



< 140 kg

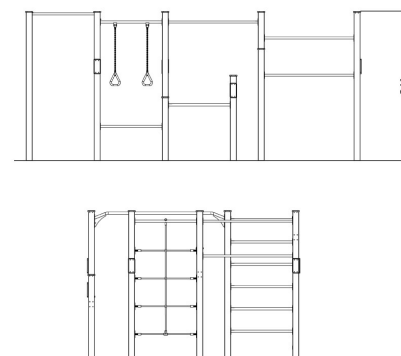
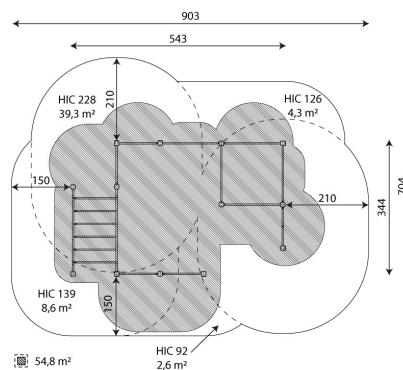


54,8 m²

Product data

Length	543 cm
Width	344 cm
Total height	241 cm
Age group	14+ years
Maximum weight of user	140 kg
Safety zone	54,8 m ²
Free fall height	228 cm
In accordance with norm EN	16630:2015
Weight of the heaviest part	30 kg
Dimensions of the largest part	10x10x350 cm
Availability of spare parts	YES
Installation time	6,5 h
Color options	

Data is subject to change without prior notice.



vinci
play



Vinci Group Sp. z o.o.
Seminaryjna 9 Street
99-400 Łowicz

VAT: 534-250-14-46
PHONE: +48 42 203 24 99 ext. 26
M: +48 793 404 991

22/07/2022

workout

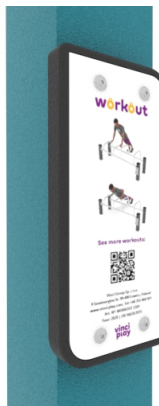
biuro@vinci-play.com
info@vinci-play.com
www.vinci-play.com

1 / 3

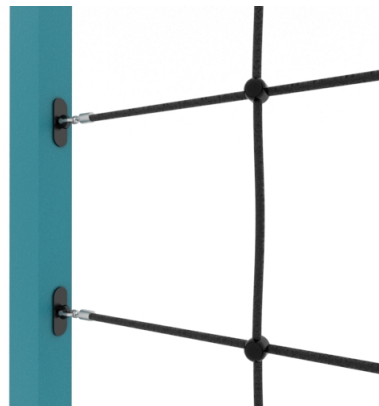
Material specification



Powder galvanized and powder-coated or stainless steel construction of 100 x 100 mm profile, durable end caps on the top of the structure made of plastic,



Aluminum exercise instructions plate screwed to HDPE plate, resistant to weather conditions,



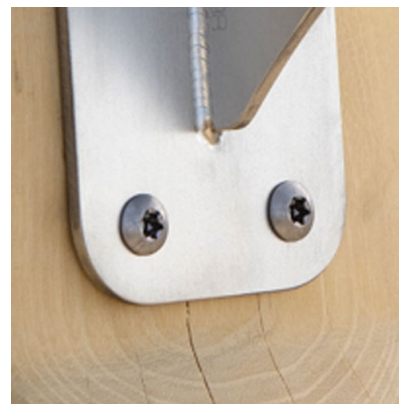
Steel ropes in polypropylene braid, connected with durable plastic elements, stainless steel or aluminum,



Stainless steel bars with a diameter of 38 mm for a comfortable grip during exercises.



Certified handles and calibrated chains made of stainless steel, preventing fingers from getting caught,



Stainless steel screws and/or screws covered with plastic caps,

Additional information

- equipment adapted for the disabled; device intended for public outdoor gyms;
- equipment has a certificate issued by an accredited entity or a declaration of conformity;
- no sharp edges or chinks that would pose a danger of jimmieing the head, fingers or any other body parts;
- anchoring on flat surface, 80 cm deep;
- render is for reference only, the actual appearance of the equipment and its color may vary;

Guarantee

- 30** 30 year guarantee - Structural strength of steel and stainless steel components
- 15** 15 year guarantee - Structural failure of steel and stainless steel, for dynamic equipment
- 10** 10 year guarantee - Structural failure of high density polyethylene and high pressure laminates components
- 5** 5 year guarantee - Corrosion of stainless steel and hot dip galvanized and powder coated components; against bark beetles and rot in case of wooden structural elements

Detailed information in the guarantee card

Vinci Group Sp. z o.o.
Seminarna 9 Street
99-400 Łowicz

VAT: 534-250-14-46
PHONE: +48 42 203 24 99 ext. 26
M: +48 793 404 991

workout

biuro@vinci-play.com
info@vinci-play.com
www.vinci-play.com

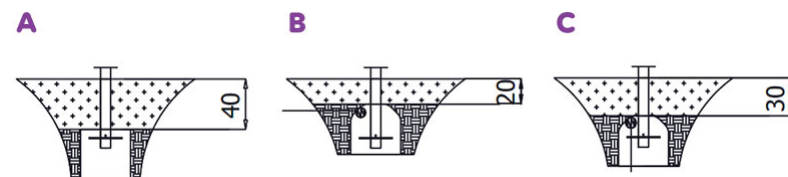
Amount of safe surface corresponding with free fall height:

HIC 92	2,6 m ²
HIC 126	4,3 m ²
HIC 139	8,6 m ²
HIC 228	39,3 m ²

Data is subject to change without prior notice.

Surfaces according to EN 16630:2015

	Description (mm)	Layer thickness (cm)	Maximum fall height (cm)
	Concrete / stone / bituminous surfaces (A, B, C)	-	≤100
	outer soil layer (A,B,C)	-	≤120
	Turf (A,B,C)	-	≤150
bark (A,C)	Particle size from 20 to 80	30	≤200
		40	≤300
wood shavings/cuttings (A, C)	Particle size from 5 to 30	30	≤200
		40	≤300
sand (A,C)	Particle size from 0,2 to 2 mm	30	≤200
		40	≤300
gravel (A,C)	Particle size from 2 to 8	30	≤200
		40	≤300
attested synthetic (A, B, C)	Tested according to EN 1177		228



Vinci Group Sp. z o.o.
Seminaryjna 9 Street
99-400 Łowicz

VAT: 534-250-14-46
PHONE: +48 42 203 24 99 ext. 26
M: +48 793 404 991

workout

biuro@vinci-play.com
info@vinci-play.com
www.vinci-play.com