

**Product technical sheet**

**SPACE 3440**



4 - 14 years



105 kids



80,4 m<sup>2</sup>



**Material specification**

- Powder galvanized and powder coated or stainless steel construction of 80 x 80 mm profile,
- Platforms and climbing walls made of durable anti-slip and waterproof HPL plate,
- Roofs and side panels made of durable HDPE plate, resistant to weather conditions,
- Transparent polycarbonate panels with a permanent print resistant to scratches and weather conditions
- Slides made of stainless steel with durable HDPE side panels,
- Tubular sled made of stainless steel,
- Stainless steel tube slide,
- Educational panels and moving elements made of HDPE plate, resistant to weather conditions,
- Maze windows made of polycarbonate, balls made of synthetic material,
- Music panels made of durable HDPE and HPL plate, resistant to weather conditions,
- Durable climbing stones made of polyester resin composite with mineral fillers,
- Steel ropes in polypropylene braid, connected with durable plastic elements, stainless steel or aluminum,
- Attested, safe seats,
- Calibrated stainless steel chains, preventing fingers entrapment,
- Stainless steel bars, ladders and handrails,
- Stainless steel screws and/or screws covered with plastic caps,
- Safe end caps on top of the structure made of rubber or polypropylene,



**Facilitating disability**



shelters



**Intellectual development**



manipulation



music



thinking



**Physical development**



hiding



sliding



climbing



crawling



roofs





**1**  
number of towers



**3**  
number of slides



**7**  
number of roofs



**5**  
number of interactive elements



**9**  
number of activity elements

**Product technical sheet**

**SPACE 3440**

**Product data**

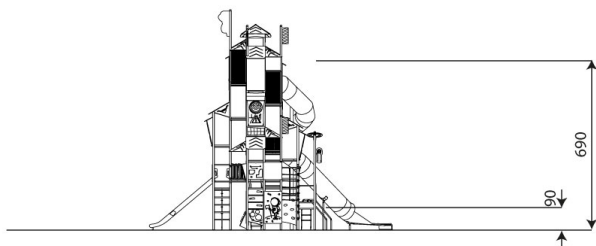
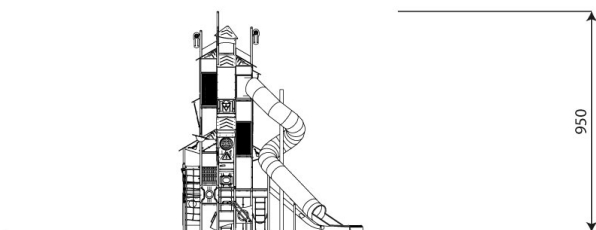
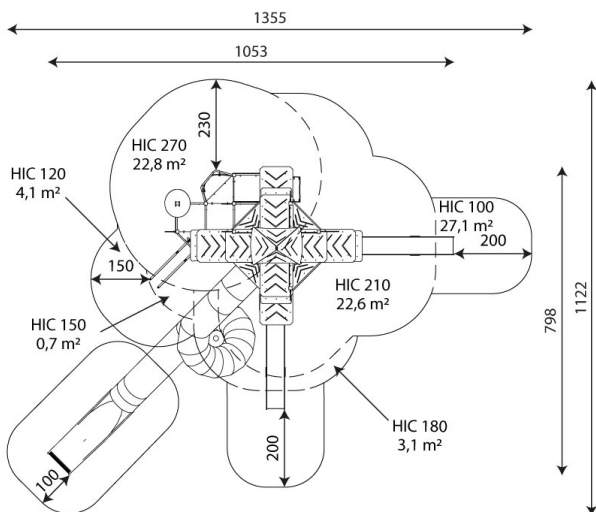
Length	1053 cm
Width	798 cm
Total height	950 cm
Age group	4 - 14 years
Number of users	105 kids
Safety zone	80,4 m2
Free fall height	270 cm
The height of the platforms	90, 120, 150, 180, 210, 270, 300, 330, 360, 420, 450, 480, 510, 540, 570, 600, 630, 690 cm
tube slide platform height	570 cm
slide platform height	180, 210 cm
In accordance with norm EN	1176-1:2017
Weight of the heaviest part	210 kg
Dimensions of the largest part	8x8x585 cm
Availability of spare parts	YES

Color options

Data is subject to change without prior notice.

**Additional information**

- equipment adapted for the disabled; intended for public playgrounds;
- equipment has a certificate issued by an accredited entity or a declaration of conformity;
- no sharp edges or chinks that would pose a danger of jimmie the head, fingers or any other body parts;
- anchoring on flat surface, 80/70 cm deep;
- slide should not be installed southwards;
- render is for reference only, the actual appearance of the equipment and its color may vary;



**Guarantee**

**30** 30 year guarantee - Structural strength of steel and stainless steel components

**15** 15 year guarantee - Structural failure of steel and stainless steel, for dynamic equipment

**10** 10 year guarantee - Structural failure of high density polyethylene and high pressure laminates components

**5** 5 year guarantee - Corrosion of stainless steel and hot dip galvanized and powder coated components; against bark beetles and rot in case of wooden structural elements

Detailed information in the guarantee card

**Vinci Group Sp. z o.o.**  
Seminarnyja 9 Street  
99-400 Łowicz

VAT: 534-250-14-46  
PHONE: +48 42 203 24 99 ext. 26  
M: +48 793 404 991



biuro@vinci-play.com  
info@vinci-play.com  
[www.vinci-play.com](http://www.vinci-play.com)

## Surfaces according to EN 1176-1:2017

	Description (mm)	Layer thickness (cm)	Maximum fall heights (cm)
Turf/ top layer of soil (A,B,C)	-	-	≤100
bark (A,C)	Particle size from 20 to 80	30	≤200
		40	≤300
woodchips (A,C)	Particle size from 5 to 30	30	≤200
		40	≤300
sand or gravel (A,C)	Particle size from 0,25 to 8	30	≤200
		40	≤300
synthetic attested (A,B,C)	Tested according to EN 1177		270

## Product technical sheet

# SPACE 3440

### Amount of safe surface corresponding with free fall height:

HIC 100	27,1 m <sup>2</sup>
HIC 120	4,1 m <sup>2</sup>
HIC 150	0,7 m <sup>2</sup>
HIC 180	3,1 m <sup>2</sup>
HIC 210	22,6 m <sup>2</sup>
HIC 270	22,8 m <sup>2</sup>

Data is subject to change without prior notice.

