

The set of brackets for gym wall fixing.

Wall bar sides, profile 30x100 mm are made of softwood, bars are made of plywood, profile 30x40 mm. Bars and sides are connecting together with nails and screws.

Standars wall-bars are 3000, 2500 or 2250 mm high.

Wall-bars are produced as single (900 mm width) or double (1800 mm width). Distance between bars is 145 mm. In the upper part there are two bars and distance between them is 435 mm.

Wall-bars complies with PN-EN 12346 standards.

Serves for fastening of one single or double ladder on the flat, plain wall or several integrated ladders.

The set constitutes of elements specified in table no. 1 (for a single ladder)

No.	Name of the element	Amount of elements for a single ladder	Amount of elements for a double ladder
1	Angle bracket	6	8
2	Block - fastened at the rear part of the side	6	8
3	Nail – fastening of the blocks	12	16
4	Screw M8x40 – fastening of the angle brackets	6	8
5	Nut M8	6	8
6	Washer Ø8	6	8

Method of fastening the ladders has been presented schematically on drawings no. 1 and 2.

In case of uniting several ladders, inner sides of the set should be connected with screws M8x80, which are the part of the set instead of screws M8x40.

For fastening of the angle brackets the following should be applied:

- Stretcher pegs Ø12 in the amount of 2 pieces for 1 angle bracket in case of walls of reinforced concrete, solid ceramic bricks
- Anchoring stretcher screws Ø12 in the amount of 1 piece for 1 angle bracket for the cement mortar of the walls: cement-sand brick (silicate) type, porotherm type, slotted structural clay tile.

Correctness of the ladder fastening:

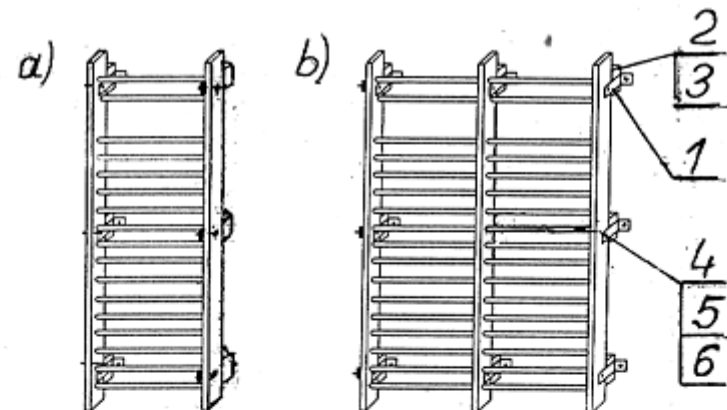
Impact of vertical-extraction force P=900N on one ladder should not result in falling-off of the ladder and loosening its joints.

Note:

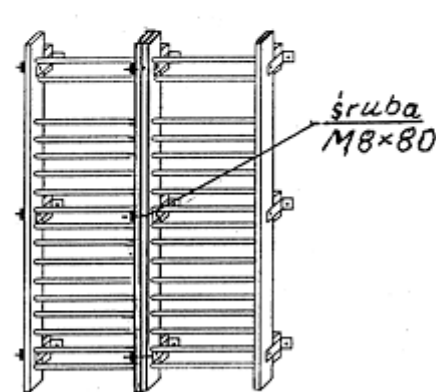
In case of uniting several ladders you should specify in your order how many ladders and which of them (single, double) will be connected into one set – it is indispensable for preparing adequate amount of screws M8x40 and M8x80.

Drawing no. 1 Fastening of a single ladder

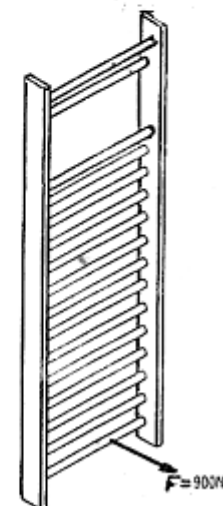
Drawing no. 2 Fastening of sets of ladders



Drawing no.1



Drawing no.2



Drawing no.3

There is no requirement when it comes to the exact distance between particular brackets. The regulation says wall bar must be fastened to the wall/floor at the top and bottom each side, may additionally be mounted in the middle but it is up to you where you will drill the wholes.

Therefore we cannot tell you exact position of drillings, your customers has to make sure only it is between the horizontal bars, it the gap between them.

--

With kind regards,

Barbara Wróbel

International Sales Executive