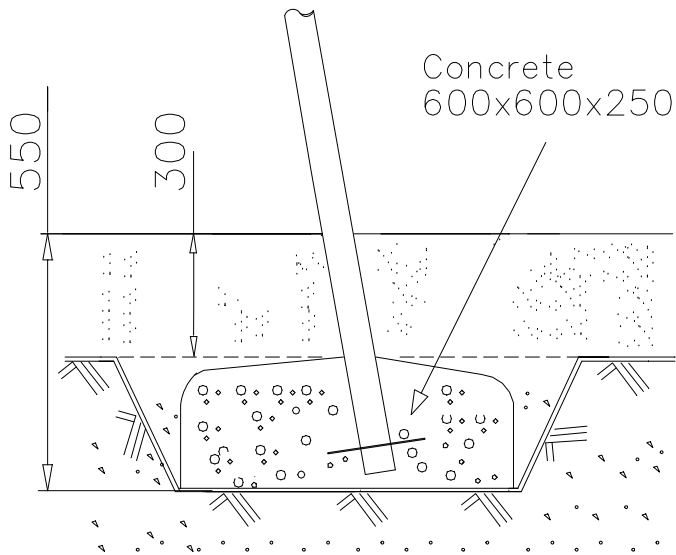
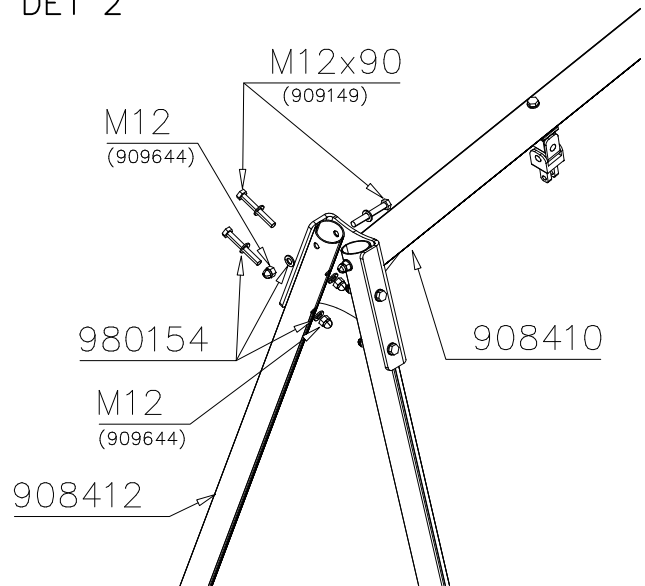


| | | | | | | | | | | | |
|--------|-----------|--------|-----------|--------|----------|---------|----------|--------|----------|--------|-----------|
| 000216 | PCS 2 | 902442 | PCS 4 | 908410 | PCS 1 | 904904 | PCS 4 | 908412 | PCS 4 | 909149 | PCS 12 |
| | | | | | | | | | | | |
| | | Ø8x400 | | L=2890 | | | | L=2850 | | M12x90 | |
| 909644 | PCS 12 | 980154 | PCS 24 | 908612 | PCS 4 | 904430 | PCS 4 | 708060 | PCS 1 | | PCS |
| | | | | | | | | | | | |
| M12 | | Ø24/13 | | Ø60x27 | | 72x41x9 | | 90x50 | | | |

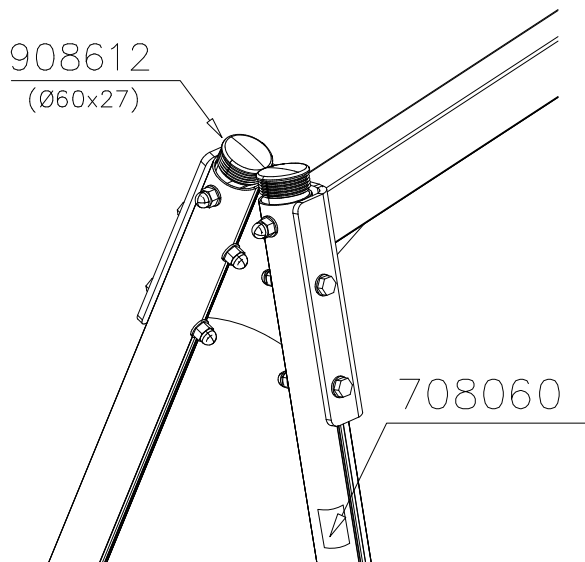
DET 1



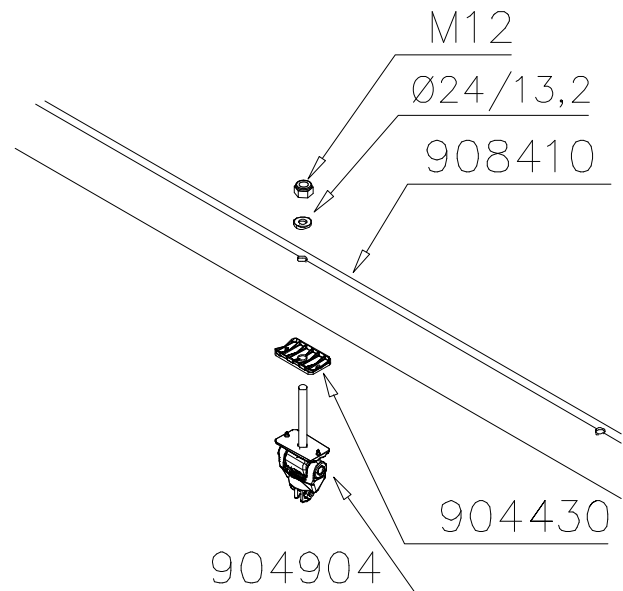
DET 2

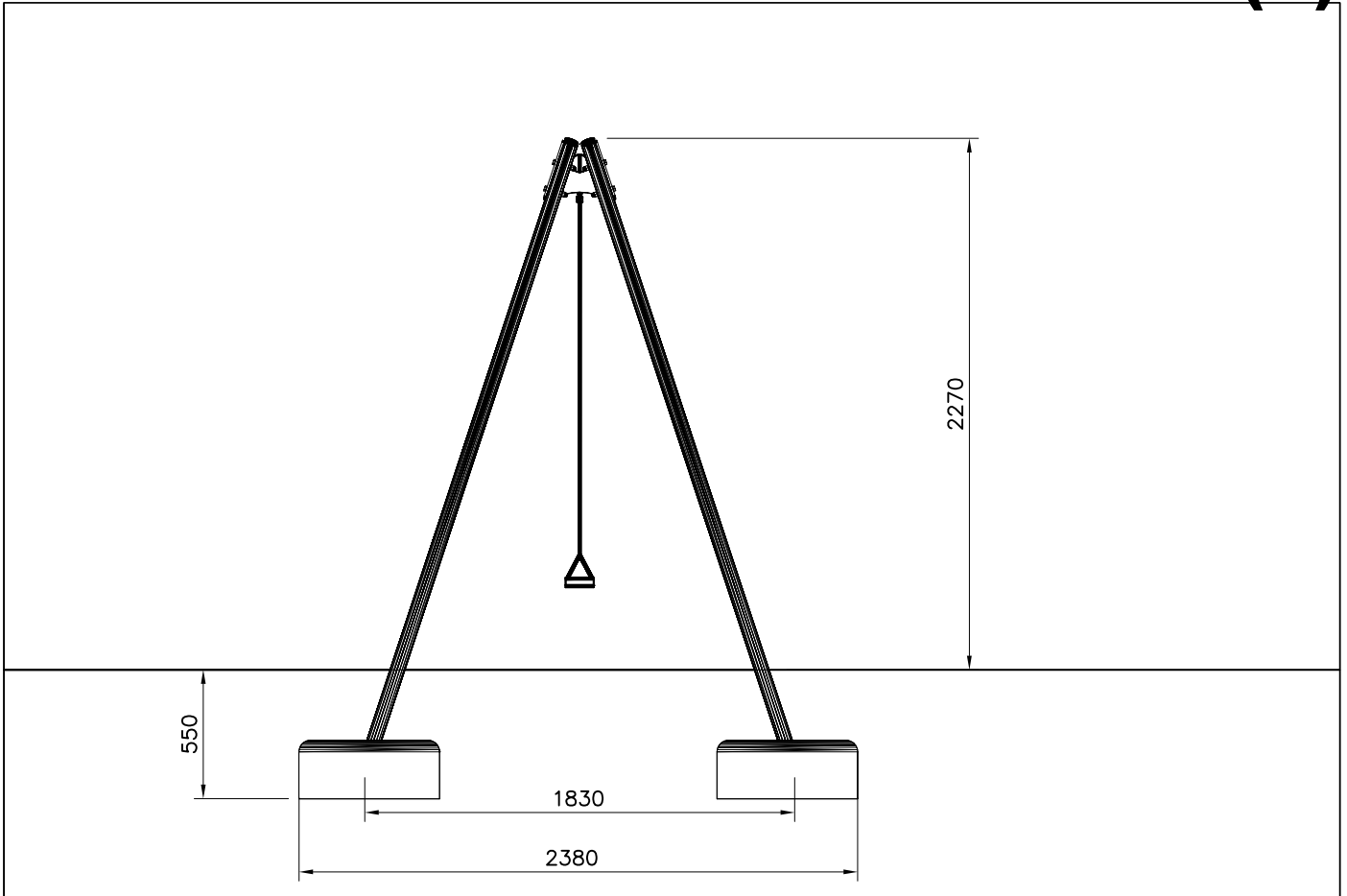


DET 3



DET 4





EN Impact Area 23.3 m²
Falling space 23.3 m²
Max falling height 1200 mm.

