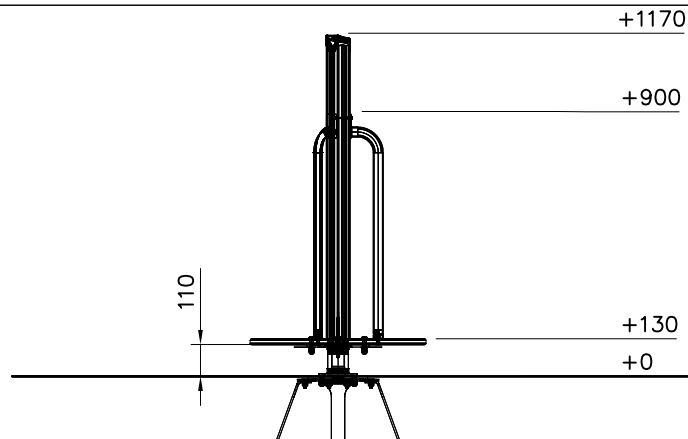
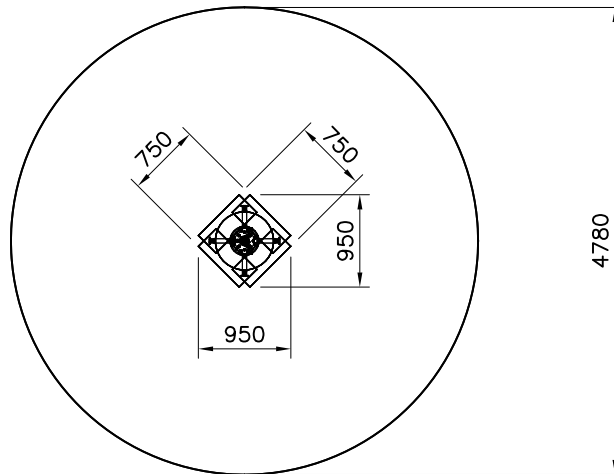
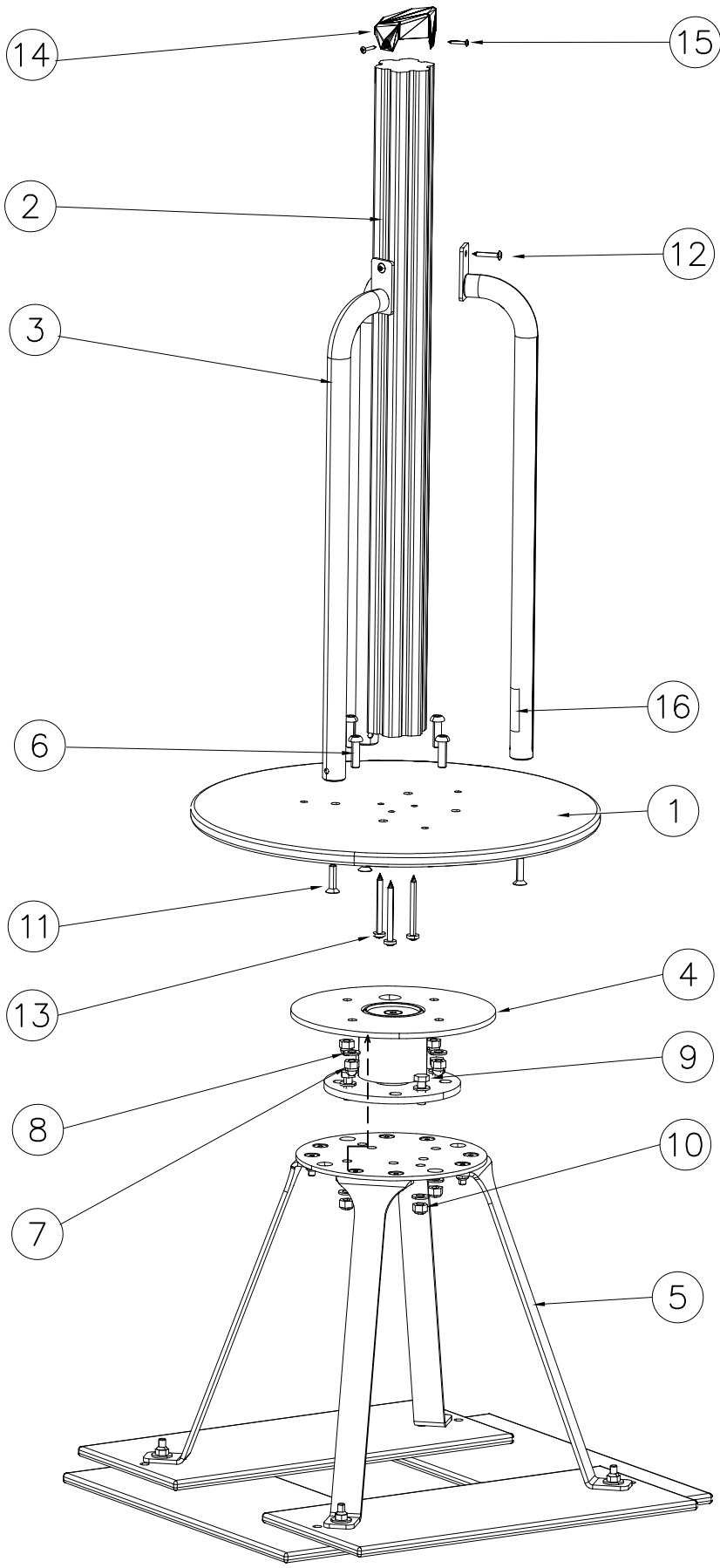


— EN Impact Area 18 m<sup>2</sup>





①	707901	PCS	708054-620	PCS	
		1	②		
				L=1000	
907688-216	PCS	④	902012	PCS	
③		3		1	
				300x110	
⑤	705101	PCS	⑥	900367	PCS
		1		4	
				M12x40	
⑦	909644	PCS	⑧	980154	PCS
		4		12	
	M12			Ø24/13	
⑨	909347	PCS	⑩	909248	PCS
		4		4	
	M12x35			M12	
⑪	901487	PCS	⑫	980128	PCS
		3		3	
	M10x40			Ø7x40	
⑬	903093	PCS	⑭	908428	PCS
		3		1	
	8x90			M10x40	
⑮	980106	PCS	⑯	708060	PCS
		3		1	
	Ø5x40			90x50	