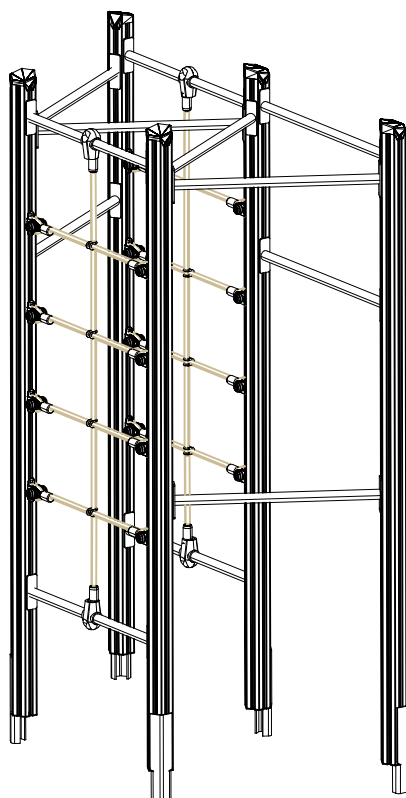


lekolar®



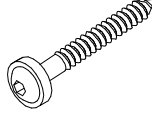
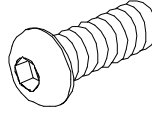
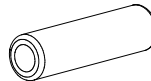
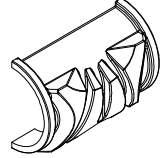

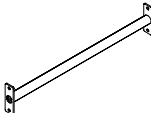

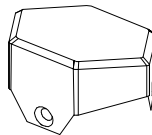
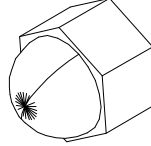
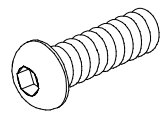
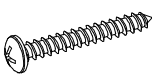


ASENNUSOHJE MONTERINGSANSVISNING INSTALLATION INSTRUCTION AUFBAUANLEITUNG NOTICE D'INSTALLATION

DATE: 7.10.2016

LEK1401

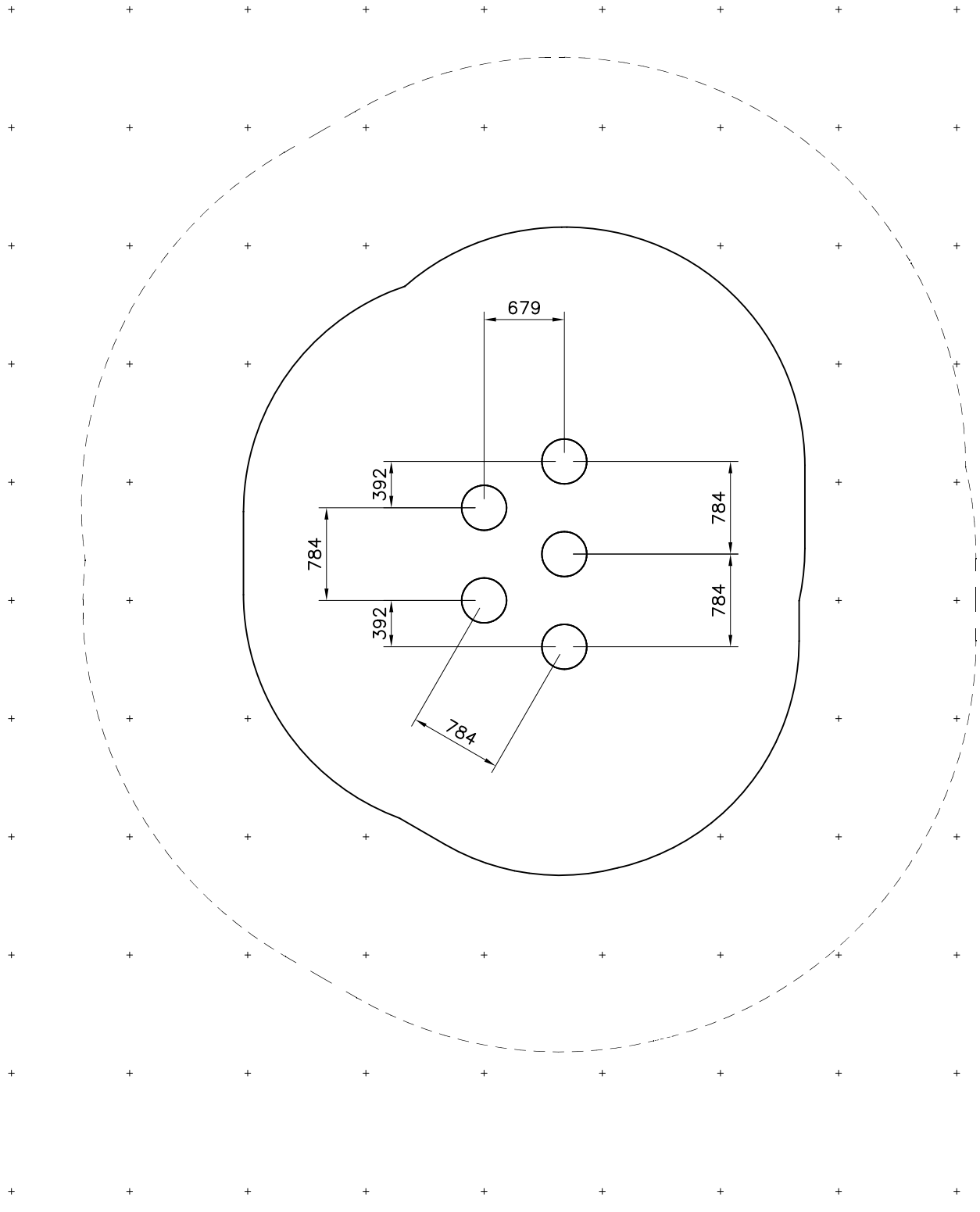
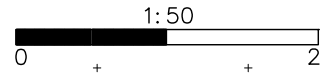


DATE: 7.10.2016

707828-620	PCS	707849-303	PCS	900240	PCS	900342	PCS	901182	PCS	901900	PCS
	5		2		20		8		4		8
90x80x2200				Ø8x70		Mx16		Ø11/M8x40		20.5x36.2x56	
901902	PCS	907694-216	PCS	908399	PCS	908428	PCS	909633	PCS	909850	PCS
	8		12		5		5		4		4
30.7x60.9x100		L 704		L=850		50x90x80		M8		M8x25	
980106	PCS	980123	PCS	708060	PCS		PCS		PCS		PCS
	15		80		1						
Ø5x40		Ø7x60		90x50							
	PCS		PCS		PCS		PCS		PCS		PCS
	PCS		PCS		PCS		PCS		PCS		PCS
	PCS		PCS		PCS		PCS		PCS		PCS

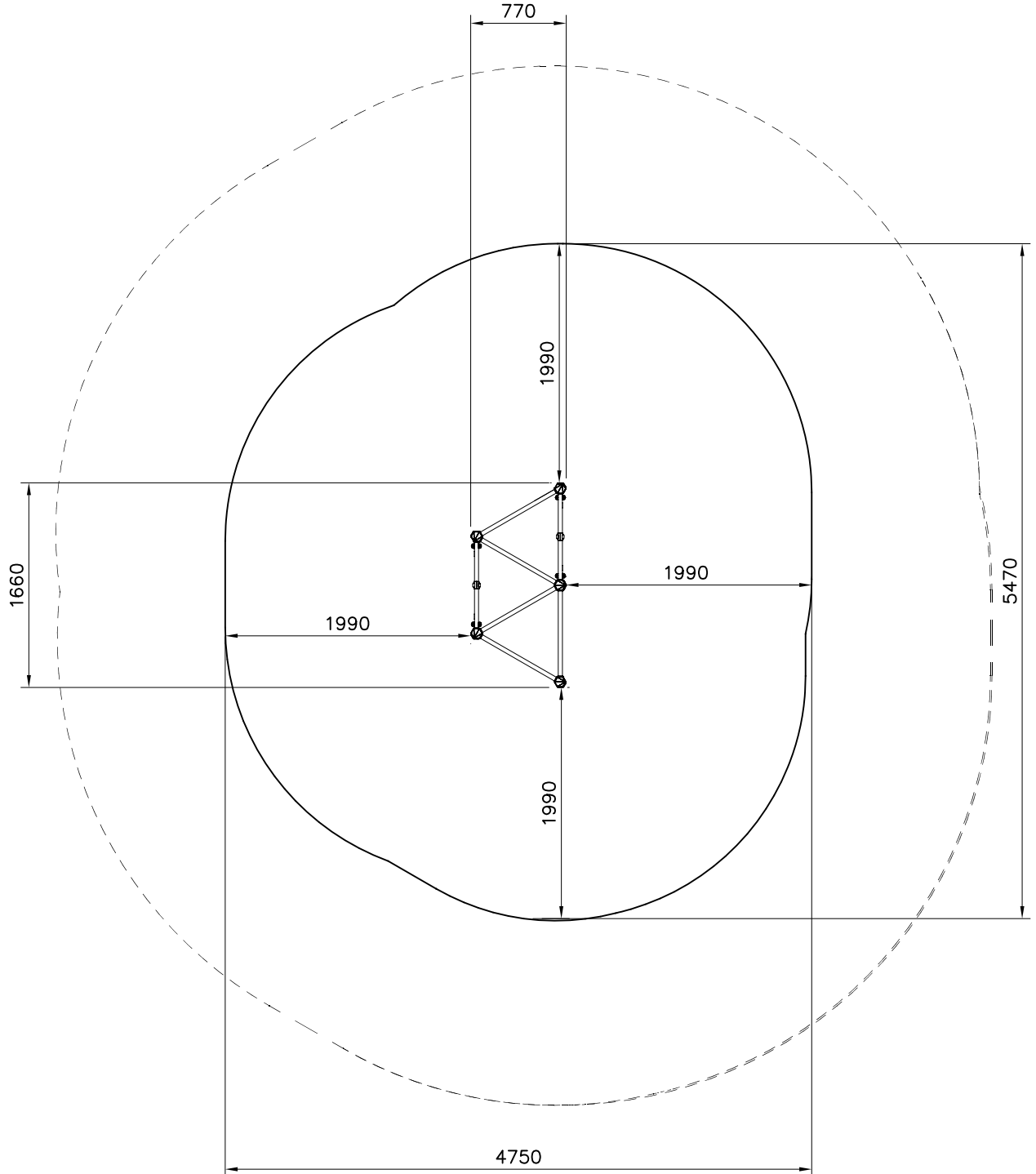
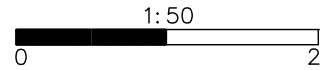
EN/AS Impact Area 21.1 m²

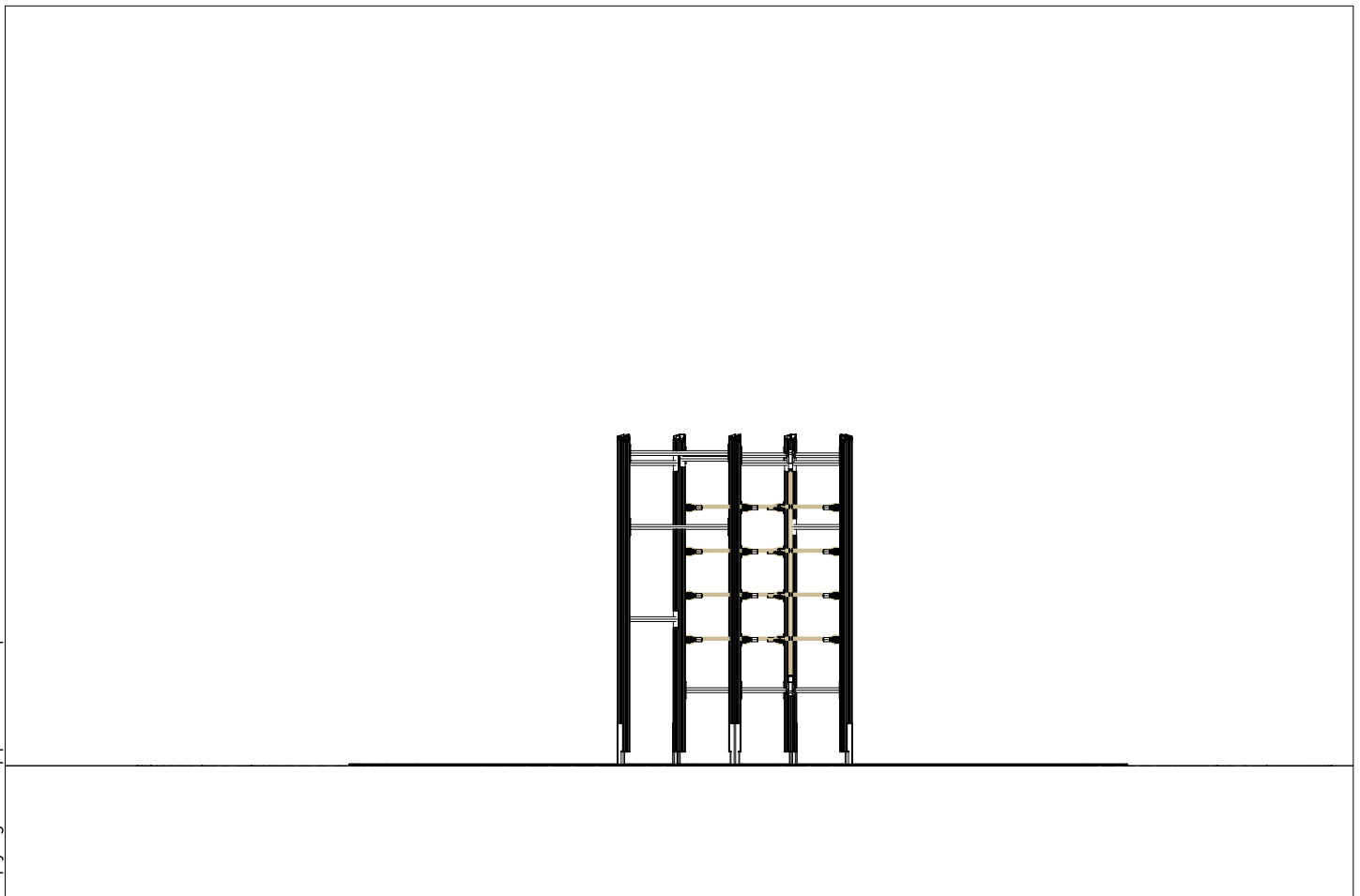
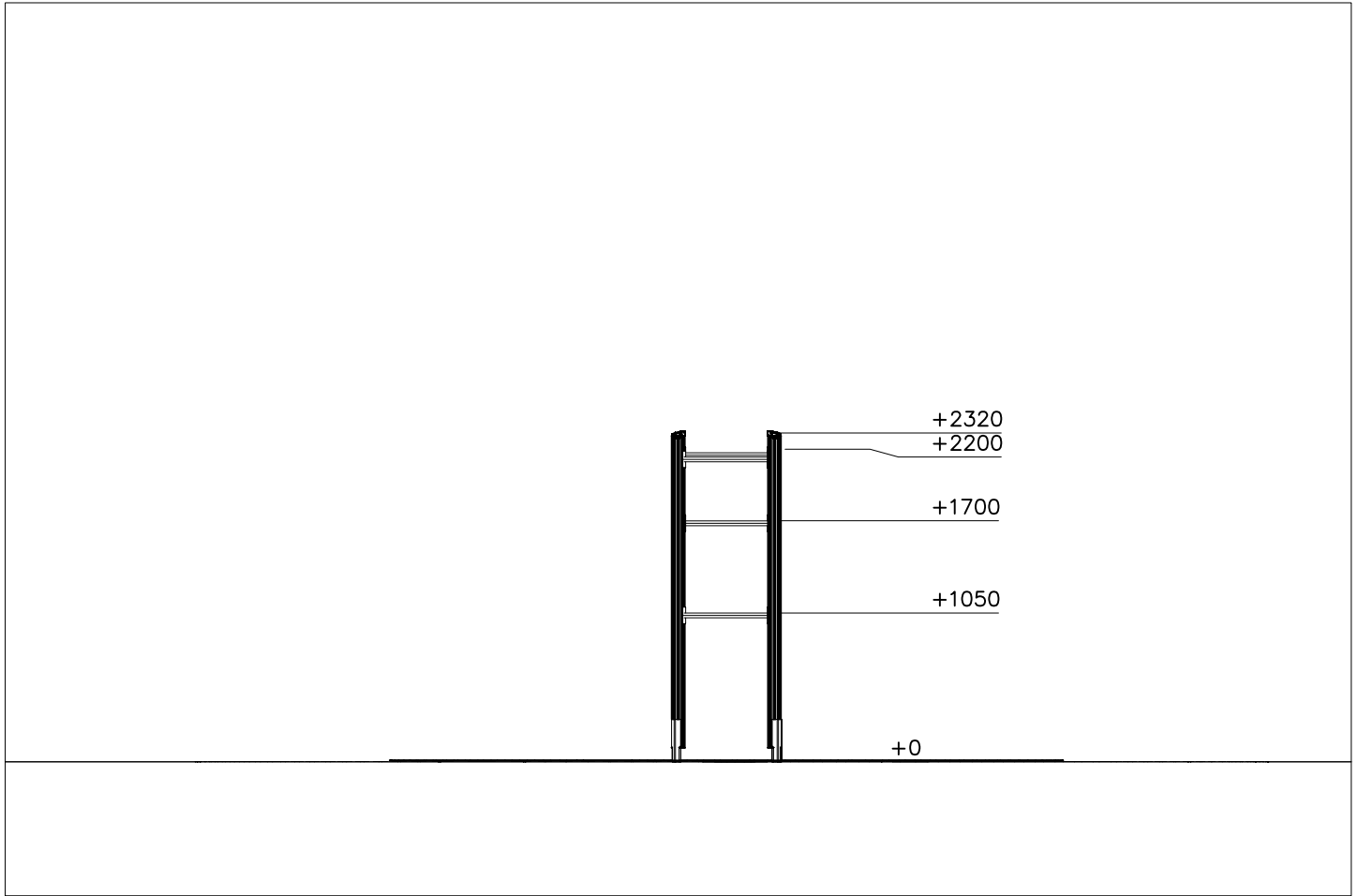
+ Falling Space 37.8 m² + + + +
+ Max Falling Height 2200 mm
+ Grid size = 1000 mm



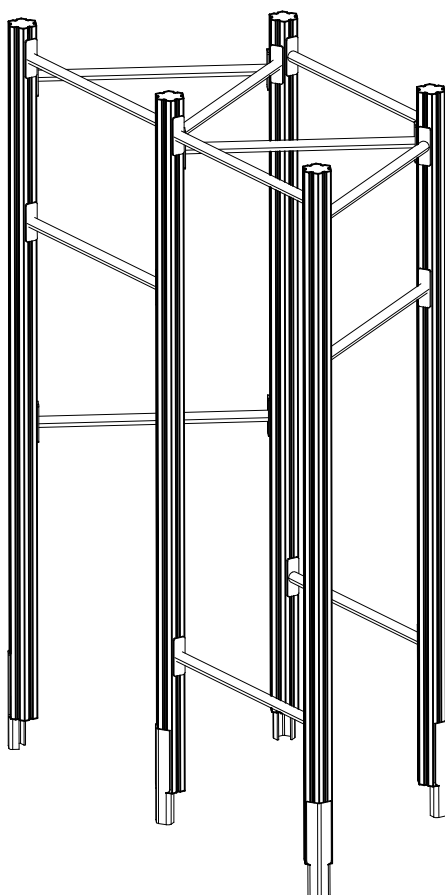
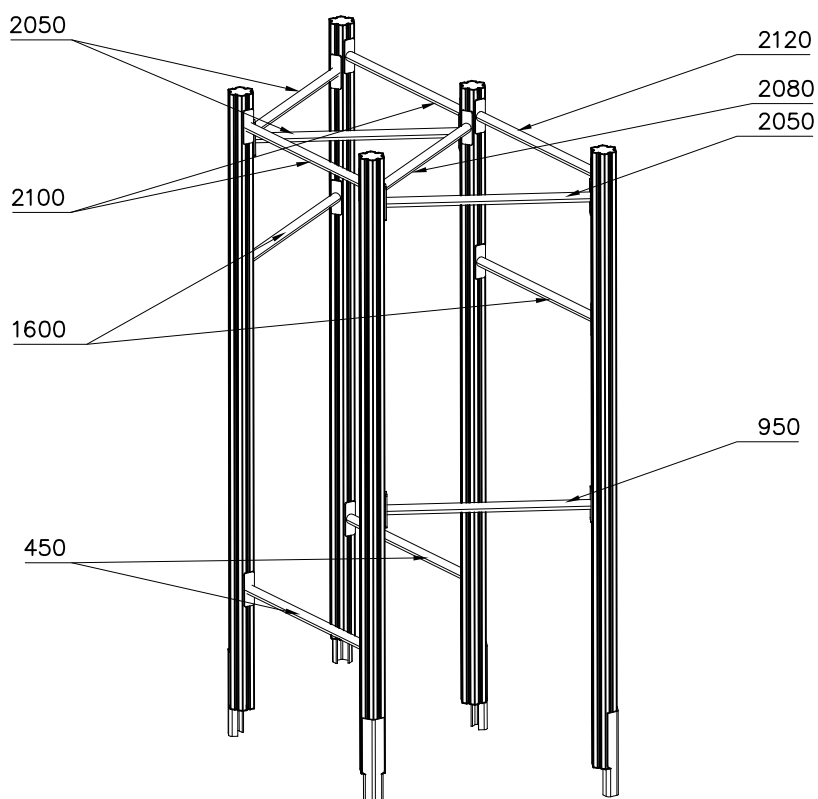
<p>PRE-DRILL HOLE Ø5 x 40</p> <p>Ø8x70</p> <p>908399</p>	<p>Sand 0.2-2 mm / Gravel 2-8 mm</p> <p>Concrete 500x500x300</p> <p>300</p>	

- EN/AS Impact Area 21.1 m²
- - - Falling Space 37.8 m²
- Max Falling Height 2220 mm

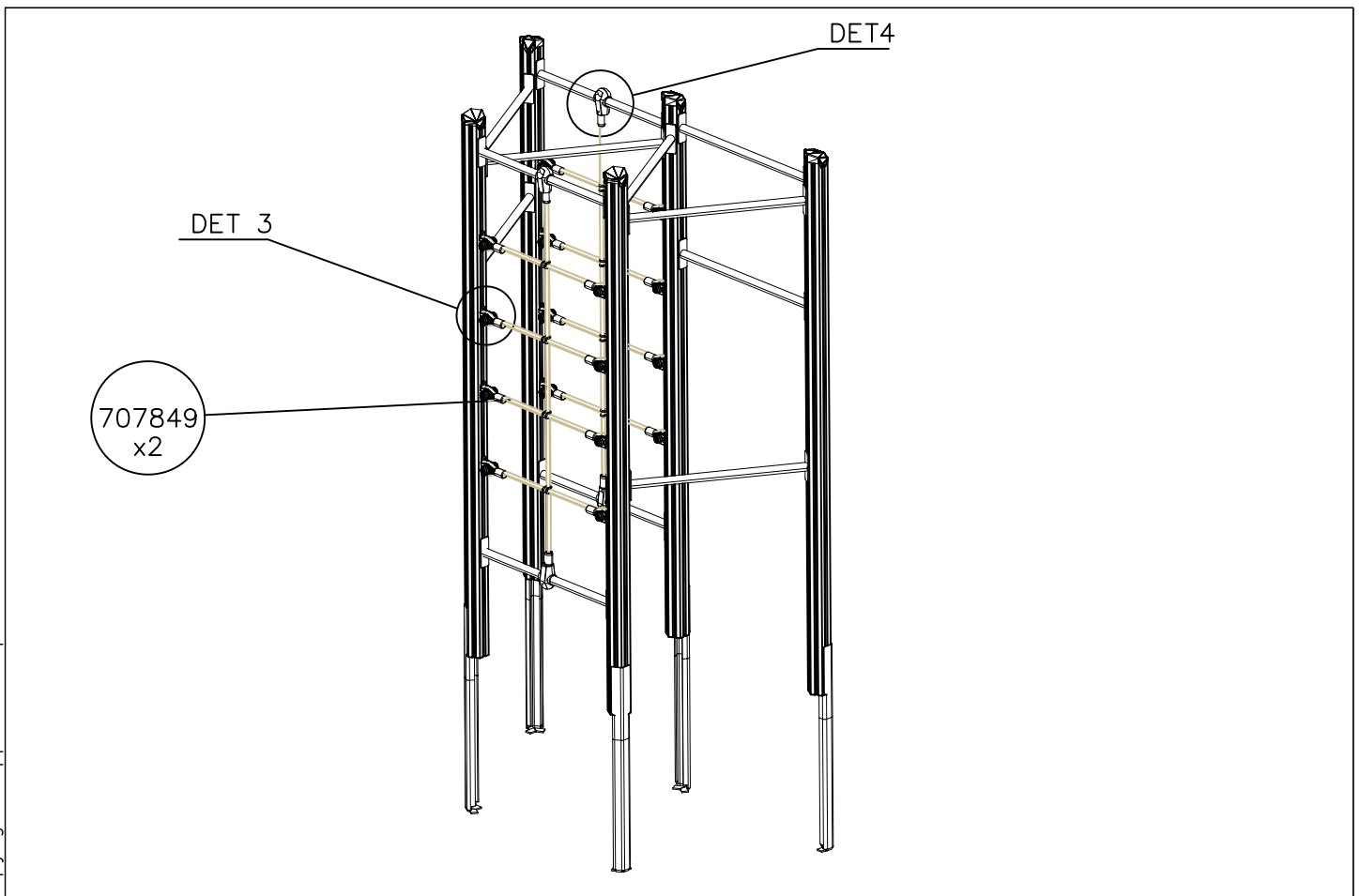
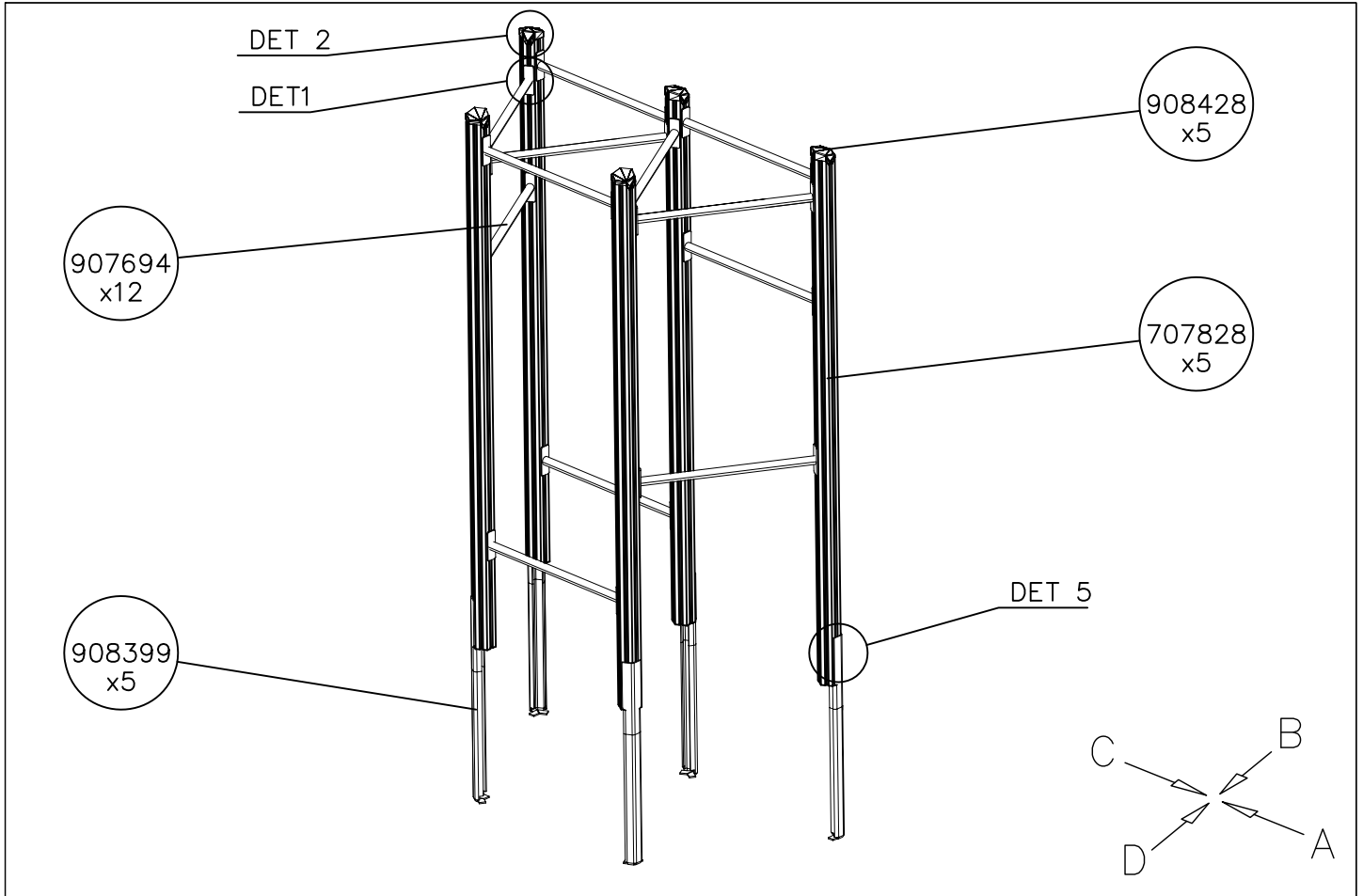




Heights measured from the bottom of the post!

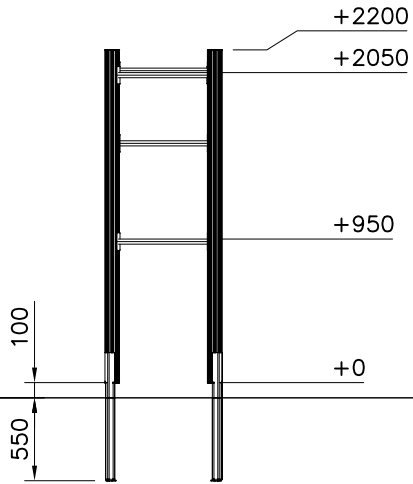


<p>DET 1</p> <p>PRE-DRILL HOLE: Ø5 ↓ 30</p> <p>907694</p> <p>Ø7x60 (980123)</p>	<p>DET 2</p> <p>908428</p> <p>5x40</p>	<p>DET 3</p> <p>7x60</p>	
<p>DET 4</p> <p>M8x25 (909850)</p> <p>901900</p> <p>M8 (909633)</p> <p>M8x16 (900342)</p> <p>901902</p> <p>Ø11/M840 (901182)</p> <p>M8x16 (900342)</p>	<p>DET 5</p> <p>708060</p>		

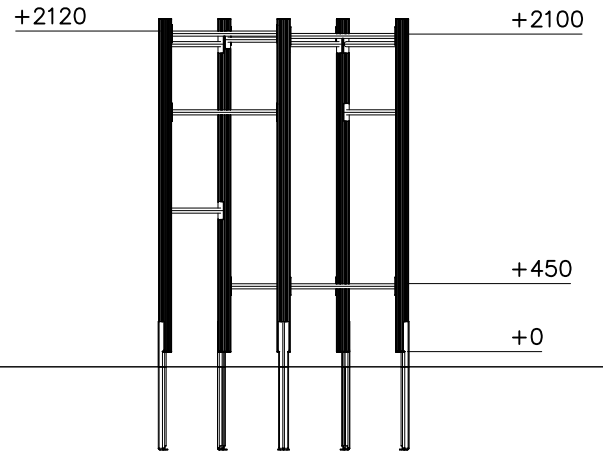


1:50

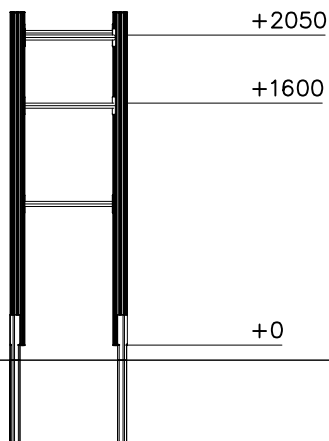
A



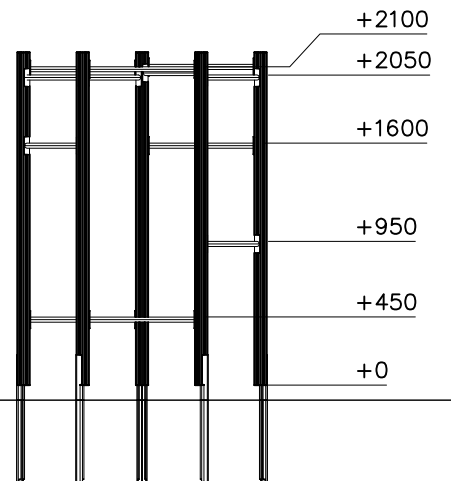
B



C



D



Max Falling Height 2220mm

