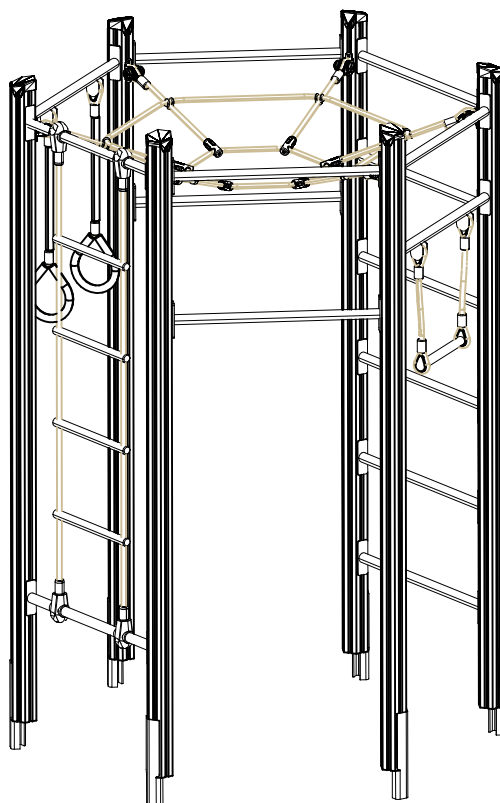


lekolar®

ASENNUSOHJE
MONTERINGSANSVISNING
INSTALLATION INSTRUCTION
AUFBAUANLEITUNG
NOTICE D'INSTALLATION

DATE: 10.10.2016

LEK1405



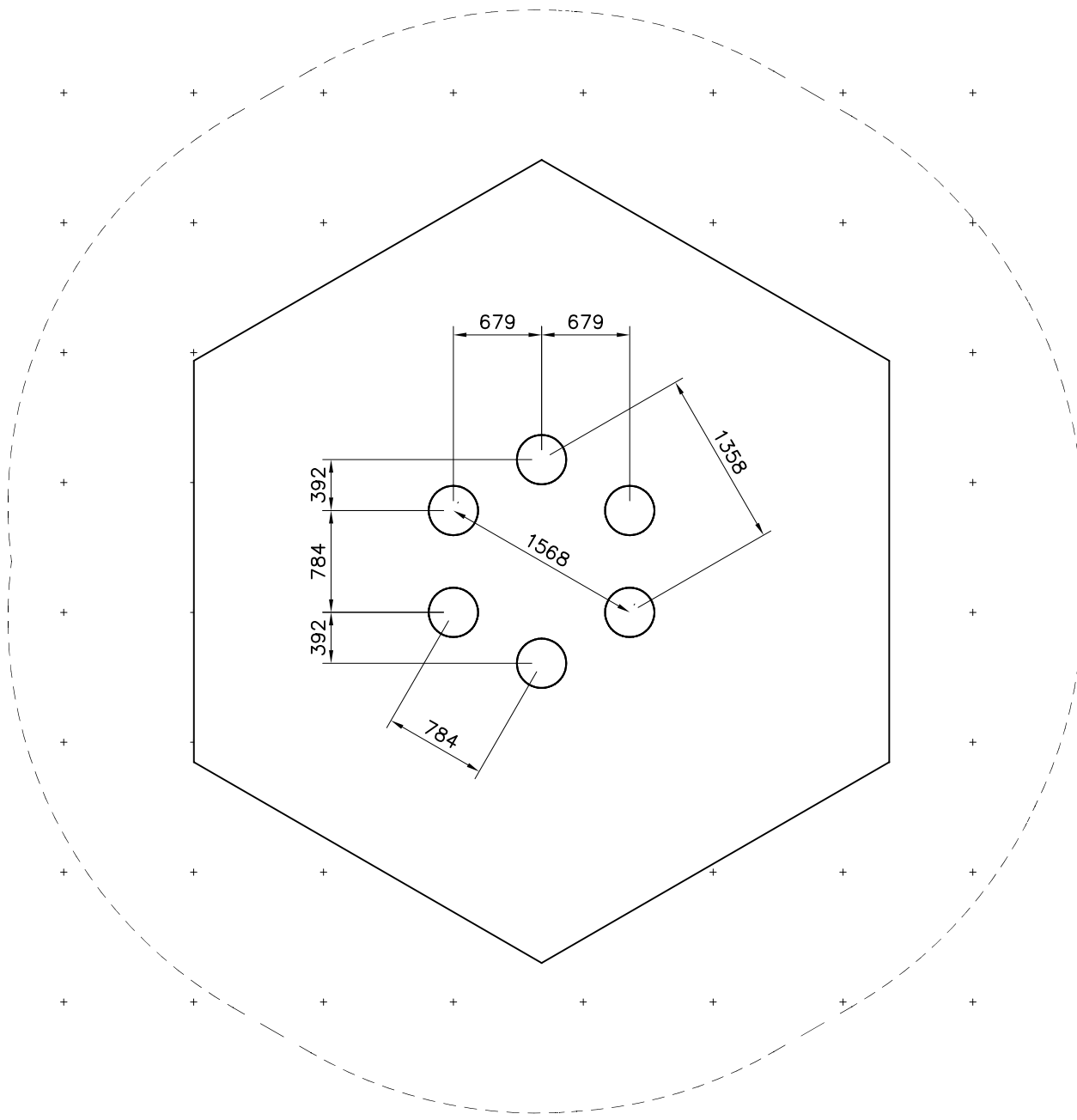
EN/AS Impact Area 24.8 m²

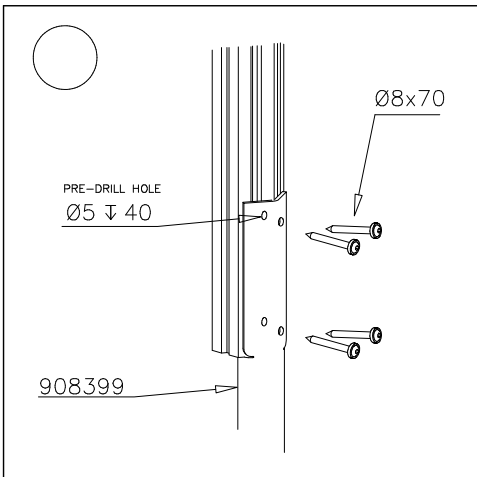
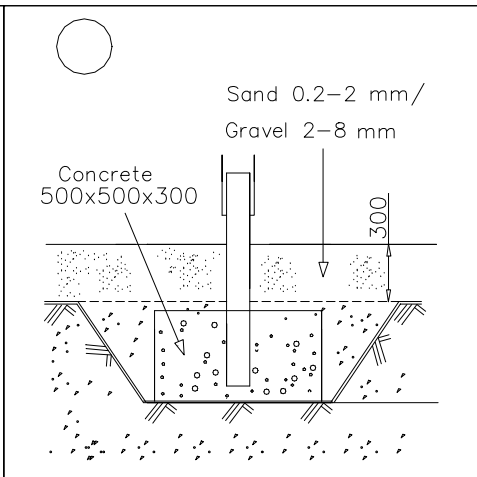
Falling Space 55.7 m²

Max Falling Height 2200 mm

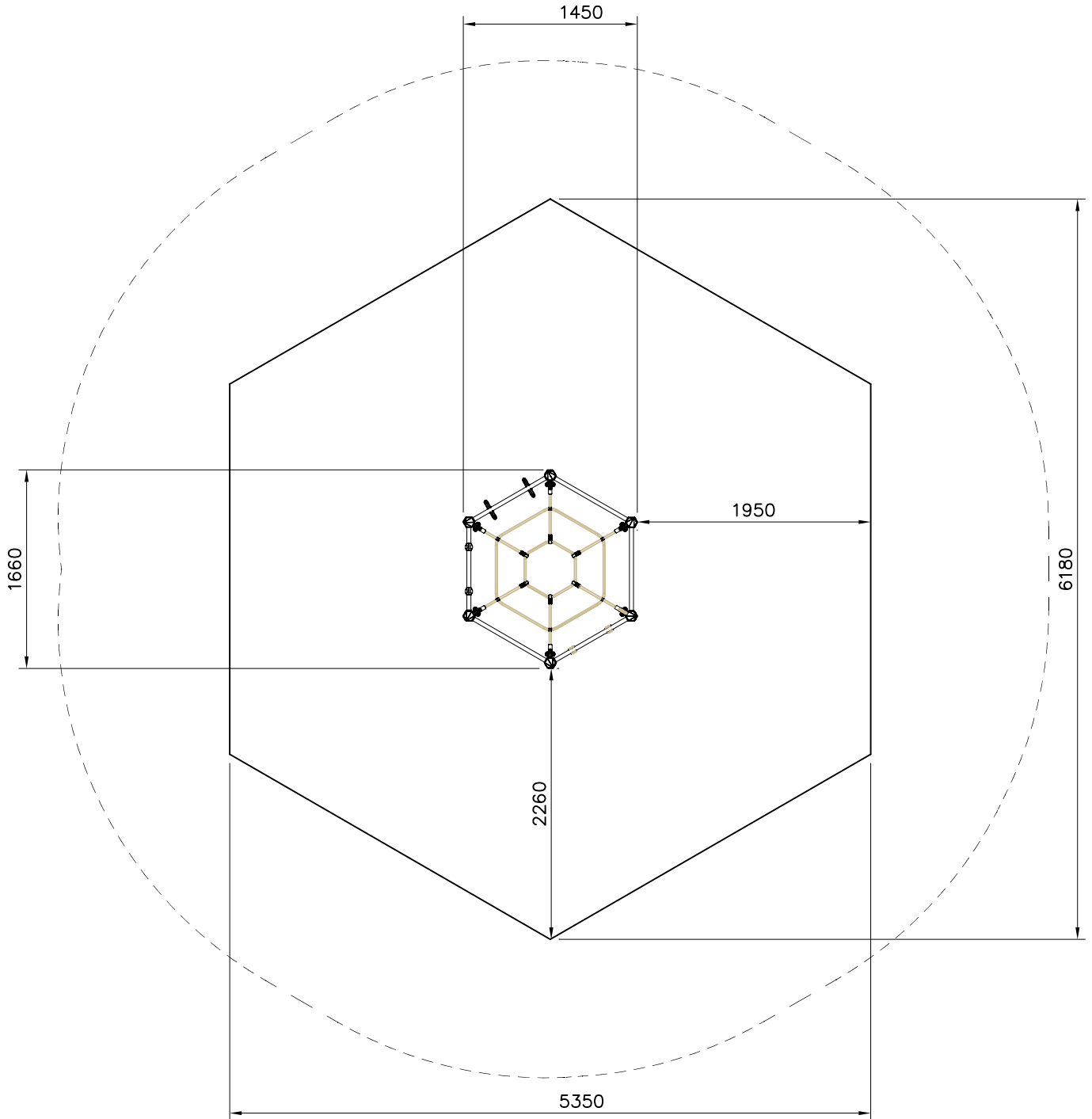
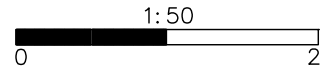
Grid size = 1000 mm

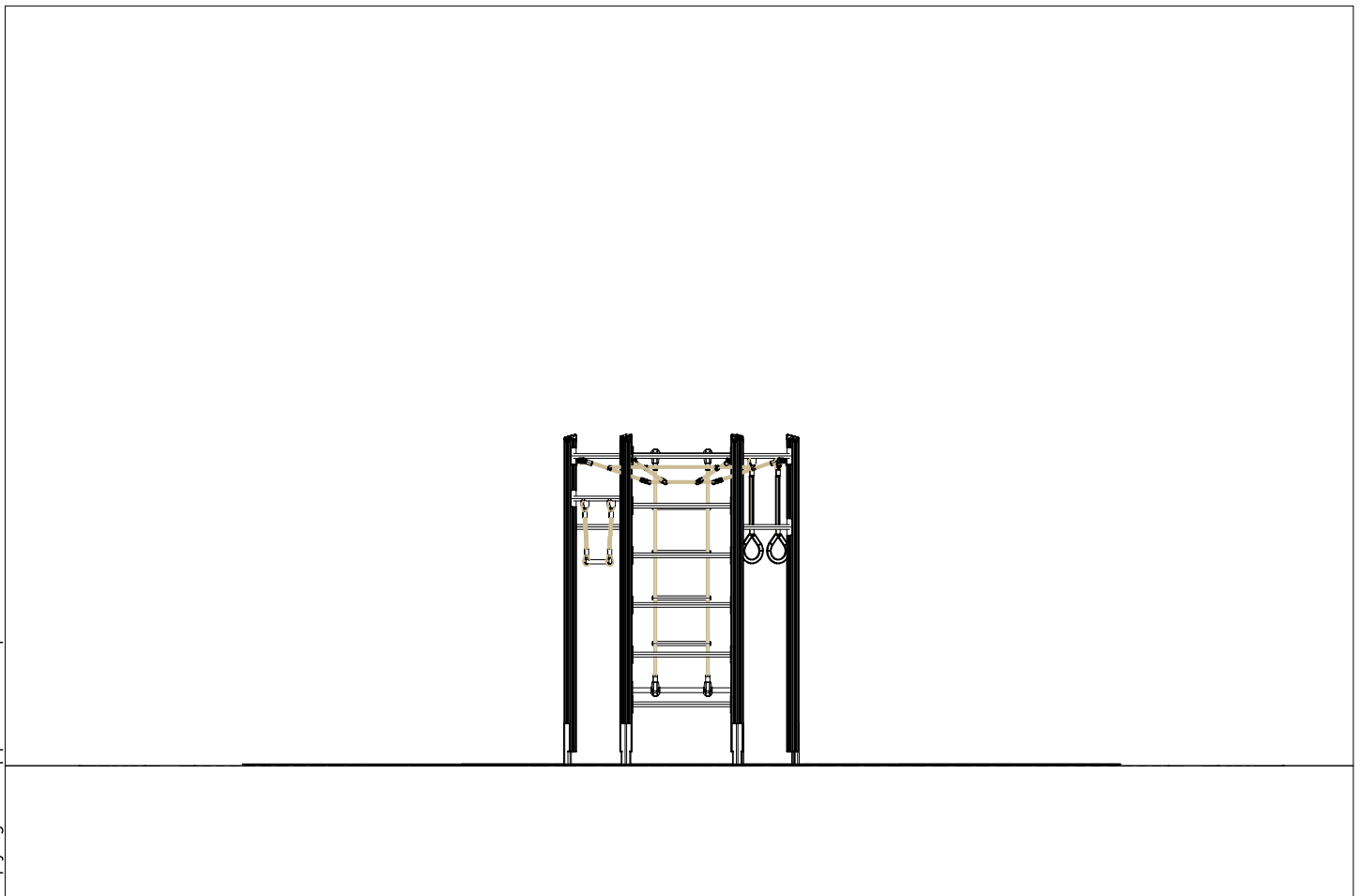
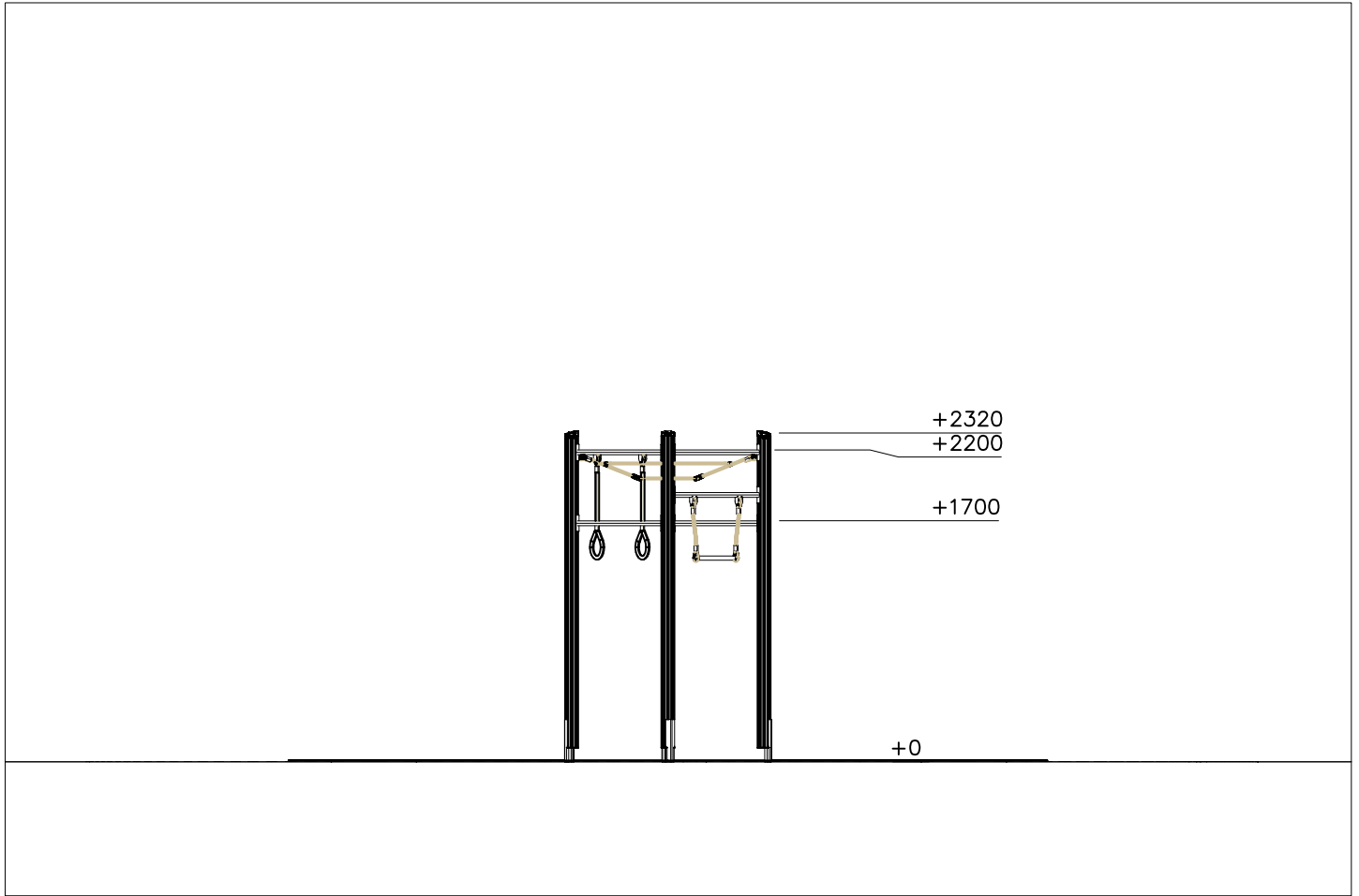
1:50

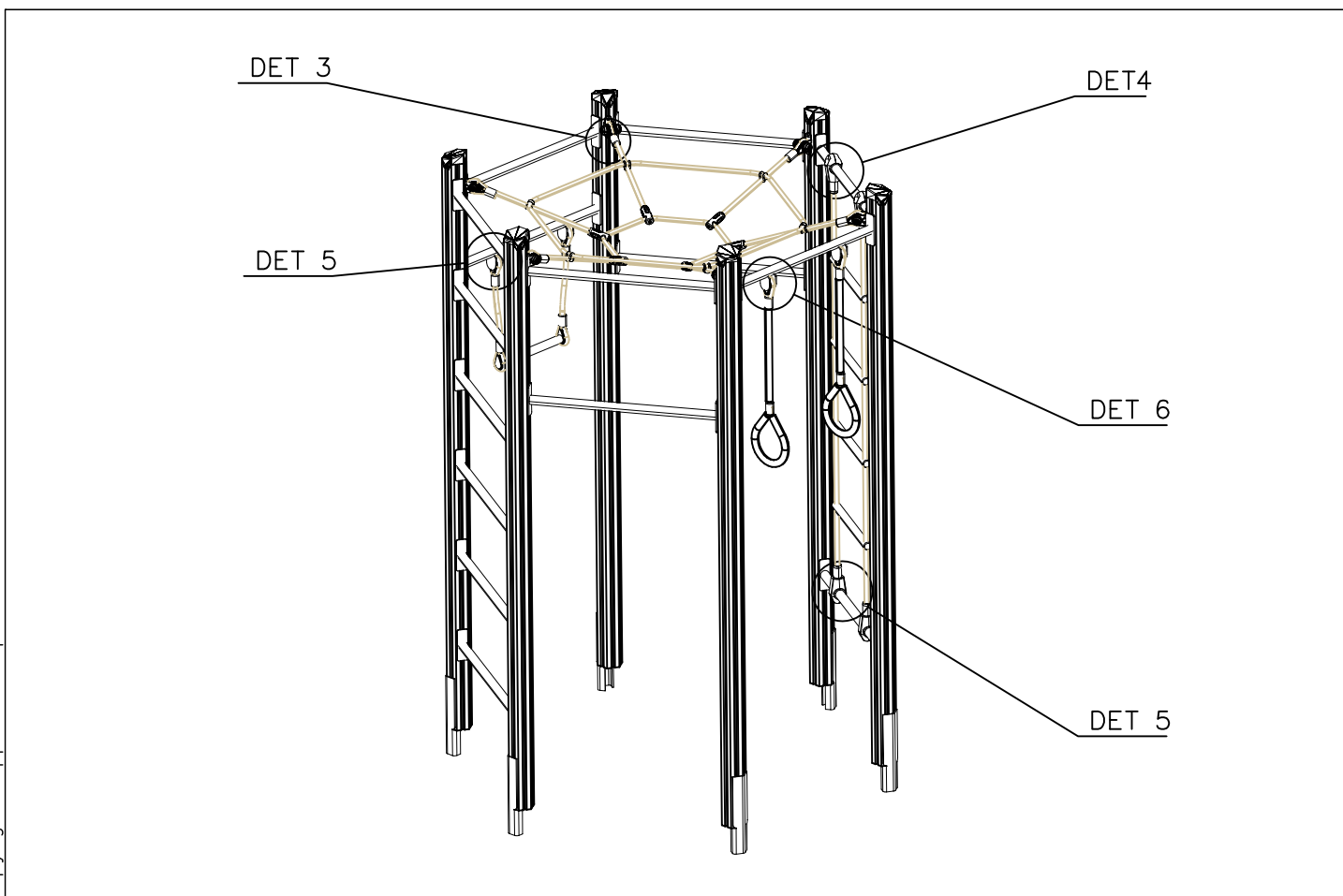
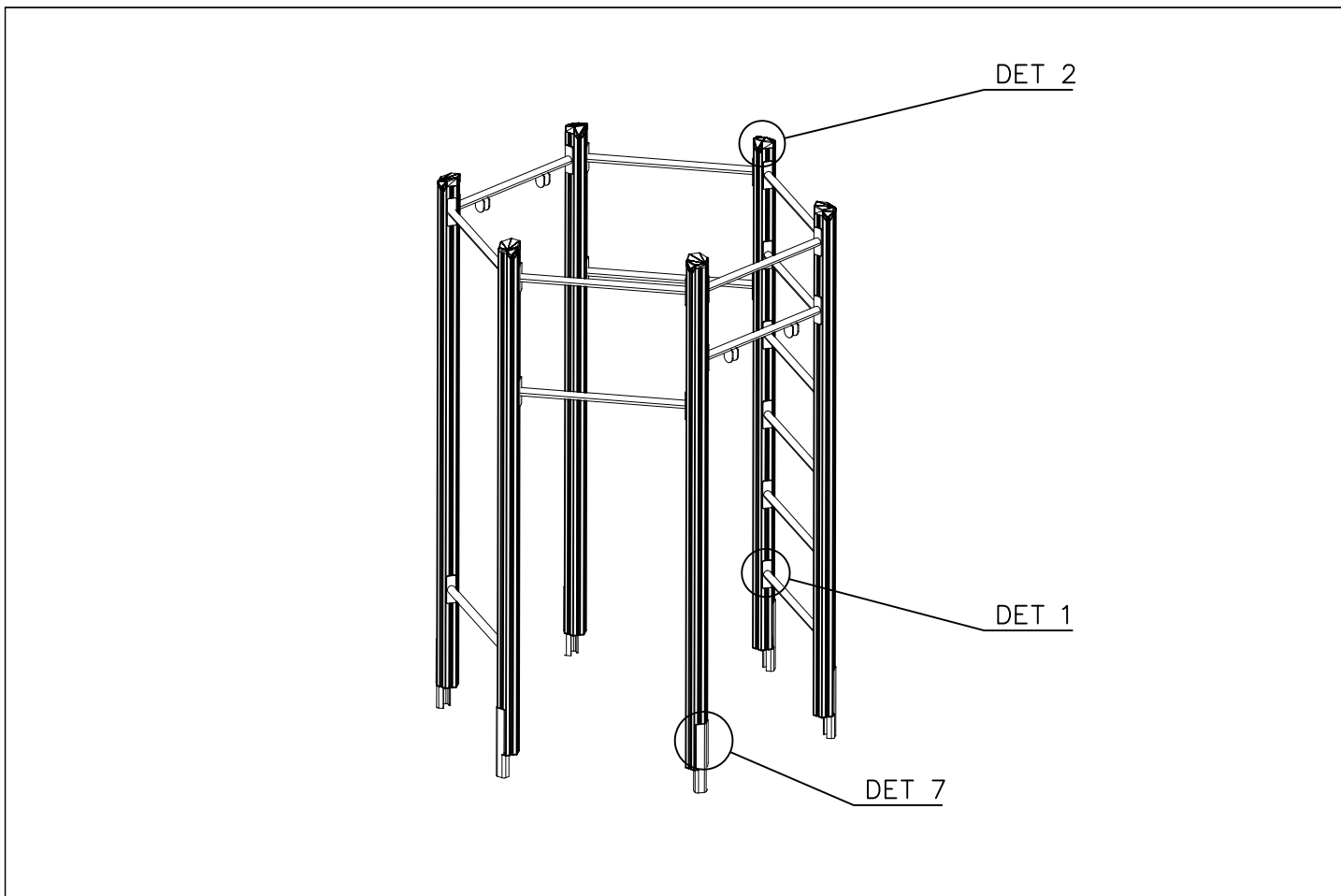


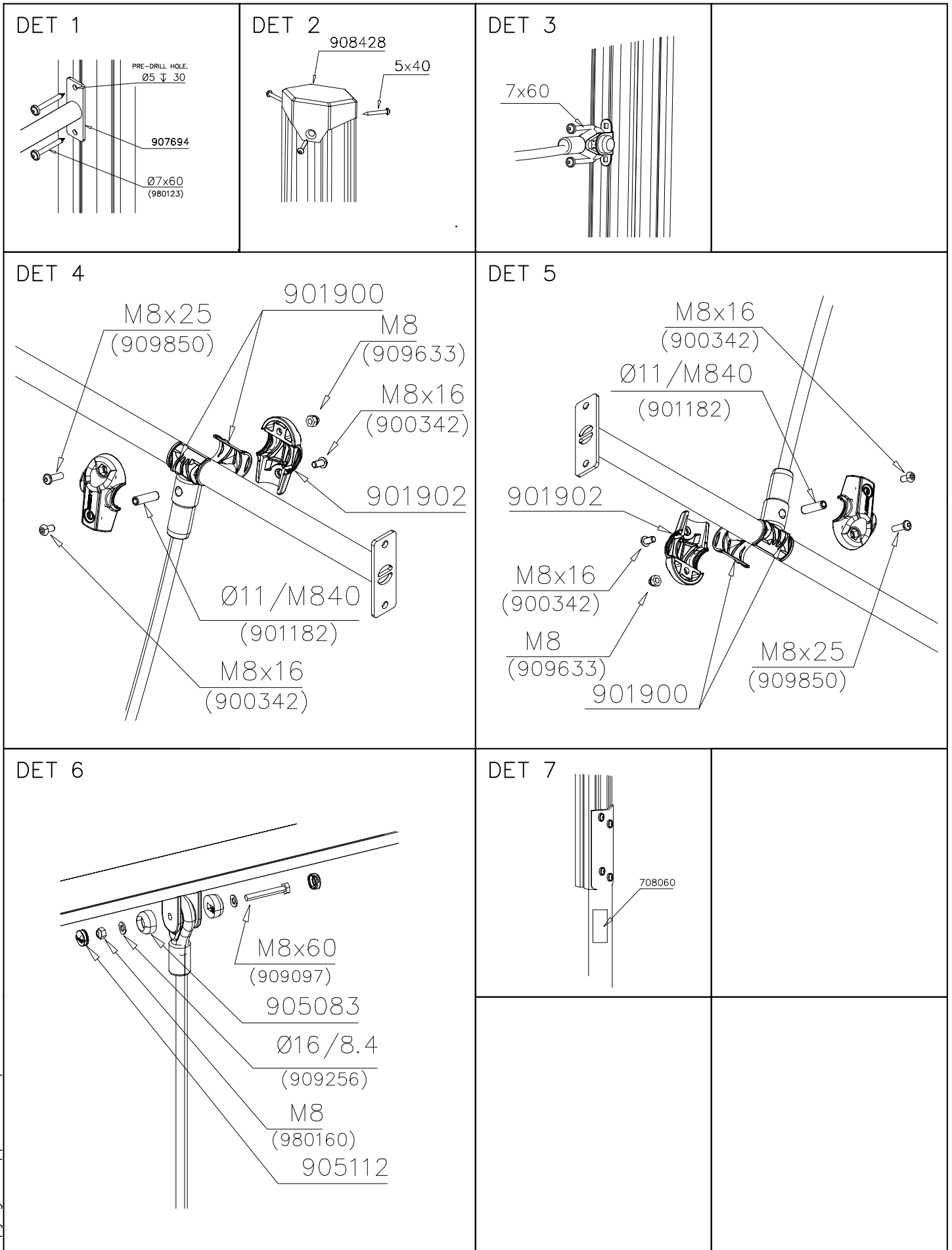
 <p>PRE-DRILL HOLE Ø5 x 40</p> <p>908399</p> <p>Ø8x70</p>	 <p>Sand 0.2-2 mm/ Gravel 2-8 mm</p> <p>Concrete 500x500x300</p> <p>300</p>	

- EN/AS Impact Area 24.8 m²
- - - Falling Space 55.7 m²
Max Falling Height 2200 mm

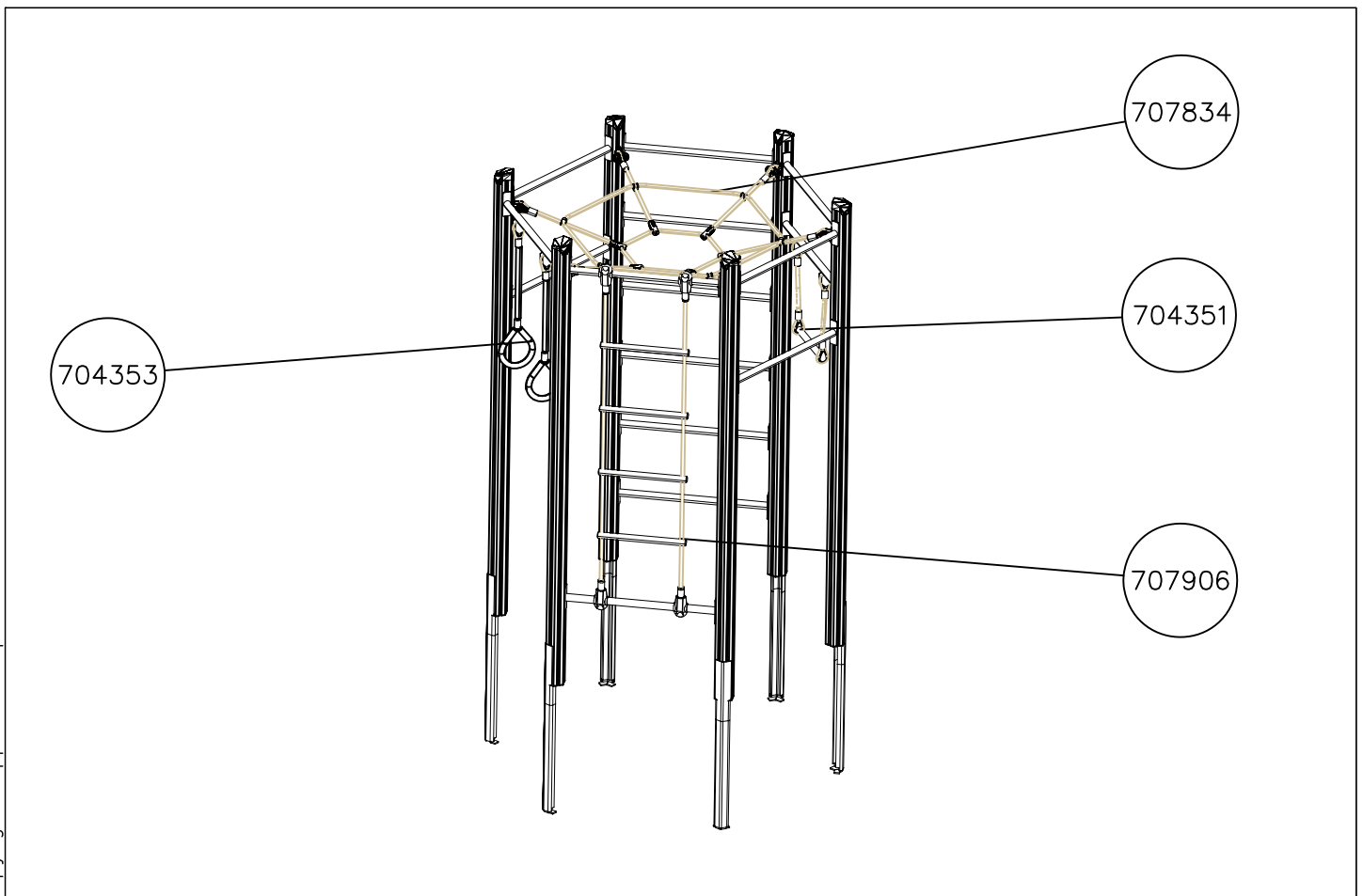
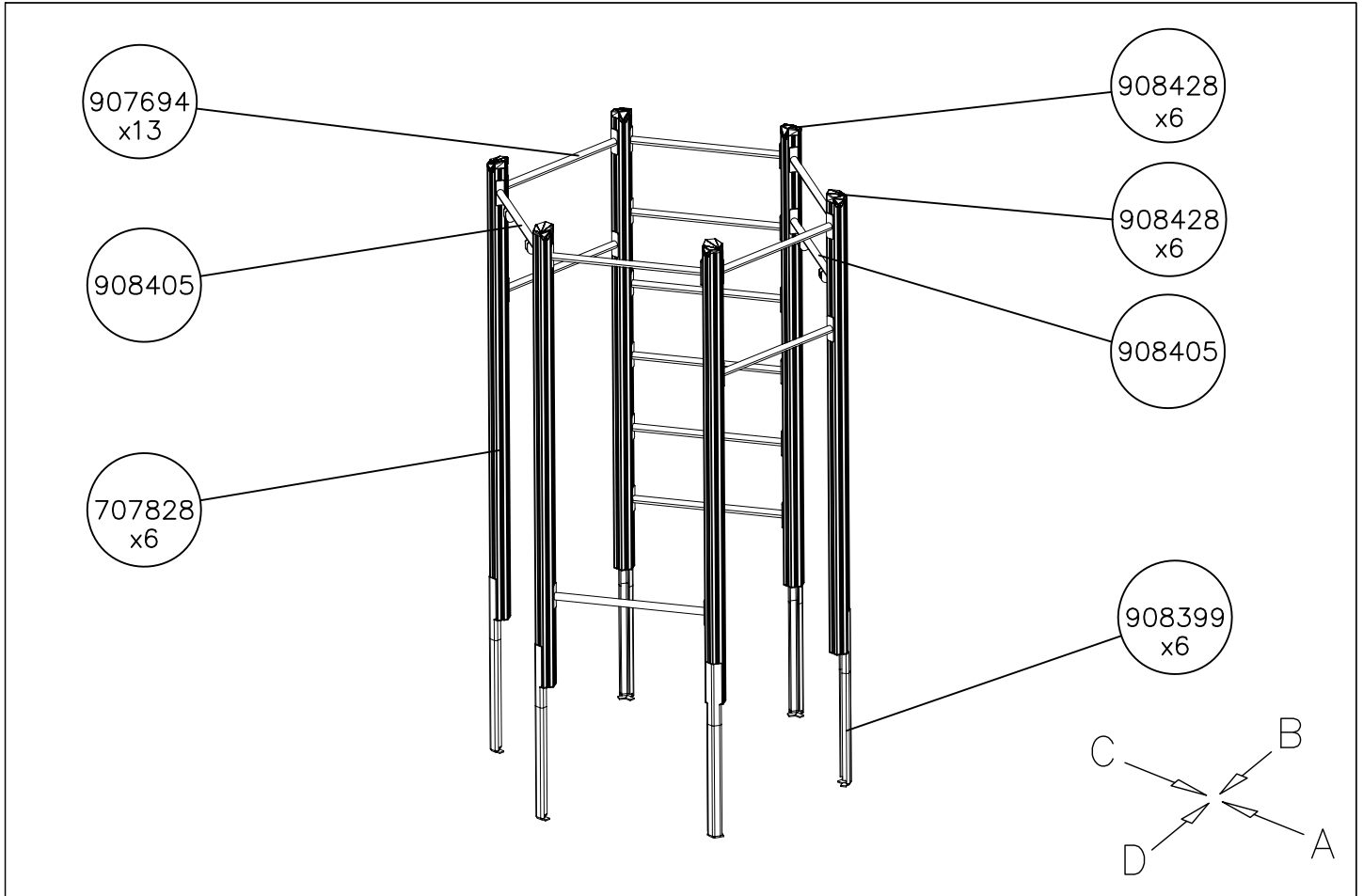








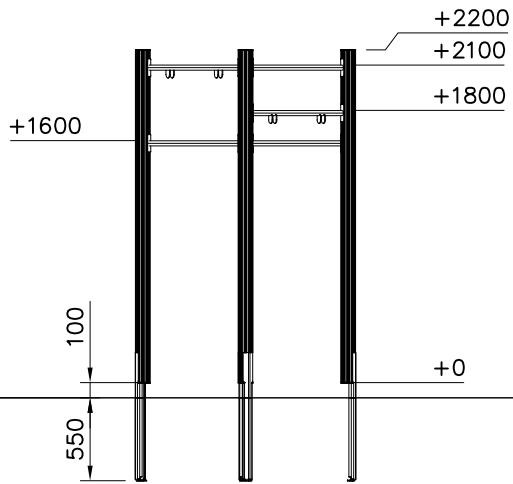
DATE: 10.10.2016



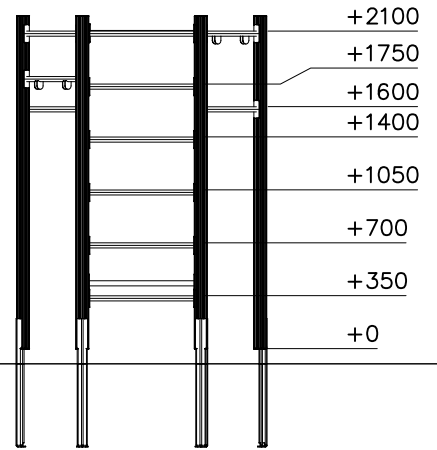
DATE: 10.10.2016

1:50

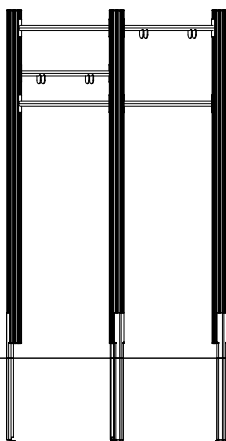
(A)



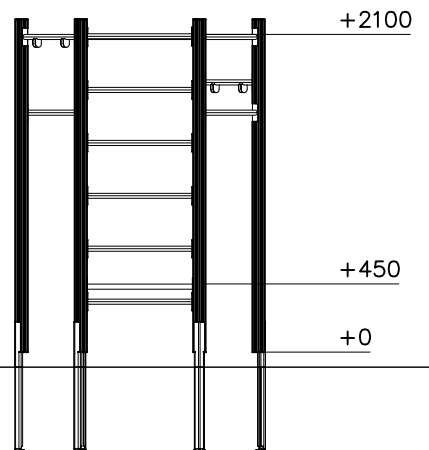
(B)



(C)



(D)



Max Falling Height 2200mm

